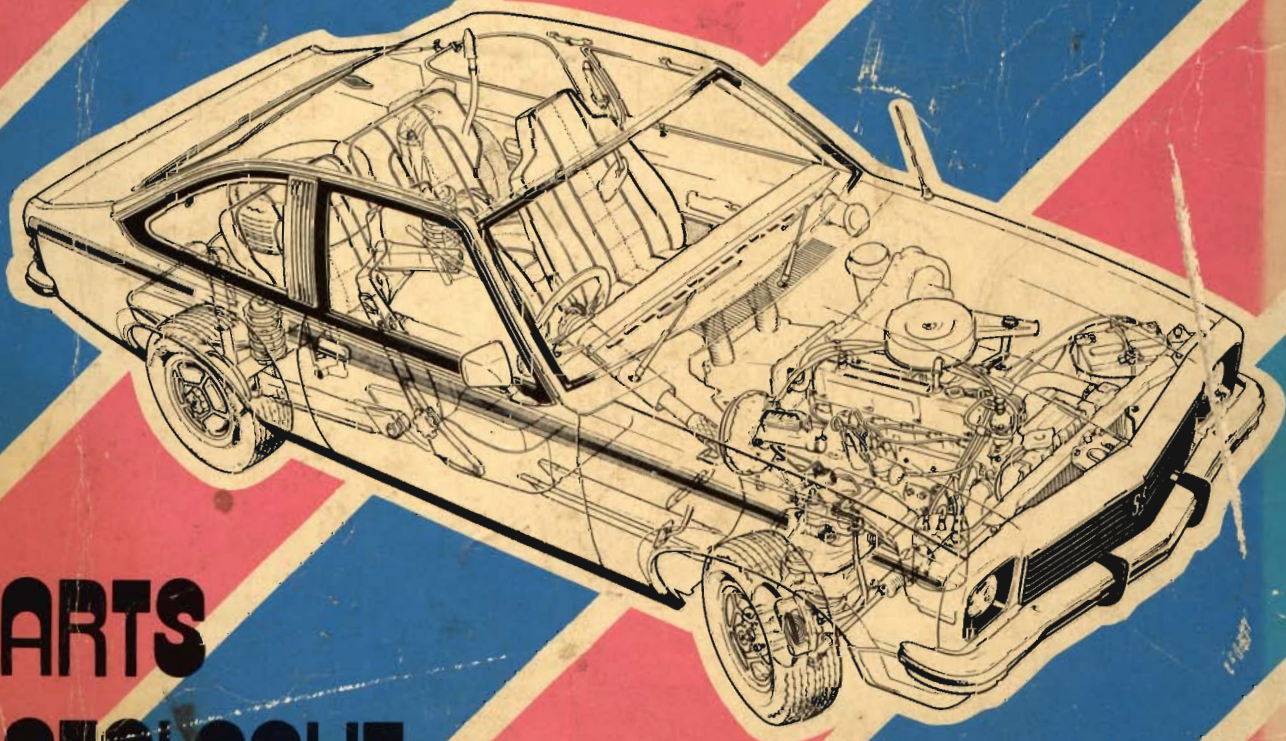


A "HOLDEN" PUBLICATION



LX TORANA



PARTS CATALOGUE

GM PARTS & ACCESSORIES DIVISION OF GENERAL MOTORS - HOLDEN'S LIMITED

'LX' TORANA

Parts Catalogue

EFFECTIVE: MARCH, 1976.
CATALOGUE NO. M37758

ISBN NO. 0 909989 559
Printed in Australia.

CONTENT

INTRODUCTION - MODEL IDENTIFICATION

INDEX - ALPHABETICAL

INDEX - ILLUSTRATIONS

CHASSIS

ENGINE - CLUTCH	0.000
-----------------	-------

COOLING - GRILLE - OILING	1.000
---------------------------	-------

ELECTRICAL - INSTRUMENTS	2.000
--------------------------	-------

FUEL - EXHAUST - CARBURETTOR	3.000
------------------------------	-------

TRANSMISSION. BRAKE CONTROL.	4.000
---------------------------------	-------

BRAKE OPERATING. REAR AXLE & DRIVE	5.000
---------------------------------------	-------

FRONT SUSPENSION. STEERING.	6.000
--------------------------------	-------

FRAME - SPRINGS - BUMPERS	7.000
---------------------------	-------

SHEET METAL	8.000
-------------	-------

ACCESSORIES. AIR CONDITIONER - HEATER	9.000
--	-------

BODY

WINDSHIELD. DOOR HARDWARE - GLASS	10.000
--------------------------------------	--------

REAR GLASS. SEAT & ADJUSTER	11.000
--------------------------------	--------

MOULDINGS & CLIPS. SHEET METAL	12.000
-----------------------------------	--------

BODY WIRING HARNESS	13.000
---------------------	--------

INTERIOR TRIM	14.000
---------------	--------

REAR TRIM - MATS - CARPETS	15.000
----------------------------	--------

INDEX - NUMERICAL

COPYRIGHT - GENERAL MOTORS-HOLDEN'S LIMITED
Reproduction in whole or in part prohibited without written approval.

introduction

This Holden Torana Parts Catalogue has been compiled to cover Replacement Parts, Kits and Accessories applicable to the 'LX' Series.

CONTENTS:

Parts and Accessories Catalogued, are arranged as follows:—

Introduction	
Model/Series Identification	
Alphabetical Index	
Illustration Index	
Chassis Parts Listing Groups	0.00 – 9.787
Body Parts Listing Groups	10.001 – 15.520
Numerical Index	

GROUP SYSTEM AND HOW TO LOCATE PARTS:

The Group System used is identical with that operating throughout the General Motors Organisation and briefly is as follows:—

Main units of the car are identified by the Numeral preceding the Decimal, i.e.,

Engine	0
Cooling and Oiling	1.
Electrical	2.
Fuel System	3.

Individual Parts are assigned a Group Number, the first Numeral identifying the Main Unit with which it is affiliated. Following the Decimal is the Sub-Group Number, under which all parts of the same name and function are listed; for instance: Group 0.096: "0" indicates that it is an Engine part. ".096" is the location where all Part Numbers of Crankshaft Front Bearing Units now being serviced may be found.

To locate the listing of a Part, determine the model vehicle and refer to the Catalogue under the Group Number identifying it, which may be determined by using any of the following three methods:

1. Consult Alphabetical Index, at front of Catalogue, which lists Parts by noun and descriptive names and refers to the exact Group Number where all Parts of similar kind may be found. If Name of desired Part is not readily found in the Index, a co-related Part Name will suggest approximate location.
2. Consult Illustrations in this publication, on which Group Numbers, Part Numbers and Noun Names are shown, which will refer to the Part or Assembly required.
3. Consult Numerical Index if a Part Number is known, and use its Group Number to locate a similar part, or be directed to the approximate location of co-related Parts.

OPTION EQUIPMENT and HOW TO INTERPRET:

As optional equipment which includes items such as Engines, Transmissions, Brakes, Seats together with alternate types and colours of interior trim is available to the customer's choice the cataloging of replacement parts, where differences exist, has been achieved by stipulating the type of equipment against the specific part. (Refer Production Option Codes - Page 13).

The method used to indicate major units or equipment is as follows:—

ENGINE:— 4 Cylinder. Further qualified if necessary.
6 Cylinder. Further qualified if necessary.
8 Cylinder. Further qualified if necessary.

Additional identification, if required, is provided by reference to the Rocker Cover/Air Cleaner Transfer or Engine No. Prefix — Refer Engine Identification and Specifications.

TRANSMISSION:

(M) — Manual Transmission Further qualified if necessary.
(A) — Automatic Transmission. Further qualified if necessary.

BRAKES:

Drum Brakes — Drum brakes on all wheels.
Power Brakes — Drum brakes on all wheels, power assisted.
Power brake qualification added only when necessary to differentiate from un-assisted Drum Brakes.
Disc Brakes — Disc brakes on front wheels, drum brakes on rear wheels.

BODY:

Body Style Number is:— 69 Four Door Sedan.
77 Two Door Hatch Back

SEATS:

Bench Seats — Single full width front seat.
Bucket Seats — Twin front seats, Reclining.

DIMENSIONS:

When using the dimensions and other data shown in the Description Column the following should be noted:

1. "Length overall" refers to the total length of a part measured over the longest dimension. An irregular shaped piece is measured over the longest dimension regardless of contours and bends.
2. "dev. length" (Developed length) refers to the total length of a part such as a tail pipe or fuel pipe measured as though the pipe were straightened out. This measurement can be taken on formed pipes by using a string to follow the contours of the pipe and then measuring the length of string used.
3. "I.D." refers to inside diameter; "O.D." refers to outside diameter; "O.S." refers to oversize; "U.S." refers to undersize.

ILLUSTRATIONS:

Illustrations are included to assist in the identification of Parts, but as some parts which perform a similar function vary in detail of design etc., all illustrations should be regarded as typical. Views of Assemblies/Sections are exploded, all visible Parts are referenced by number to show the Part Name and Group. Therefore, once a Part is located in an illustration, it may be positively identified by referring to the Group in which it is listed.

In some instances, certain Parts appear on an illustration as "N.S.S." (Not Serviced Separately) or "N.L.S." (No Longer Serviced), unless these items are in current production, as a rule they cannot be obtained.

GROUP SYSTEM AND HOW TO LOCATE PARTS (Cont'd)

SPECIAL NOTE – SIDE:

Provision is made between the "Description/Model and Part No." columns to indicate when the item is for fitment to the LH (Left Hand) or RH (Right Hand) side of the vehicle. These letters are NOT a prefix to the Part Number and MUST NOT be quoted as such.

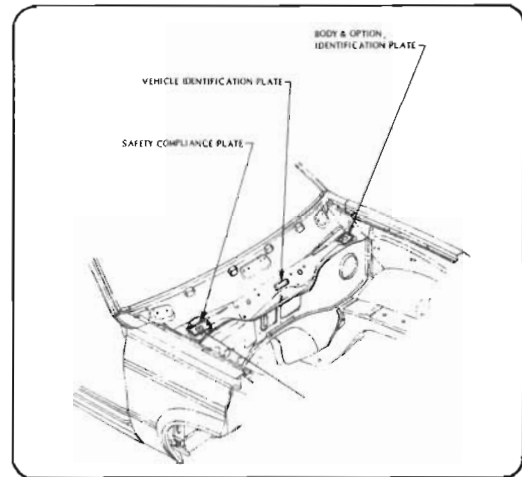
REPLACEMENT PARTS INTERPRETATION:

Plates attached to Passenger Vehicles carry coded information which could be significant in part interpretation.

LOCATION OF IDENTIFICATION PLATES

Plates are attached to the top ledge of the Dash Panel under the Engine Hood, Refer Illustration opposite.

- A. Safety Compliance Plate
- B. Vehicle Identification Plate
- C. Body Identification Plate

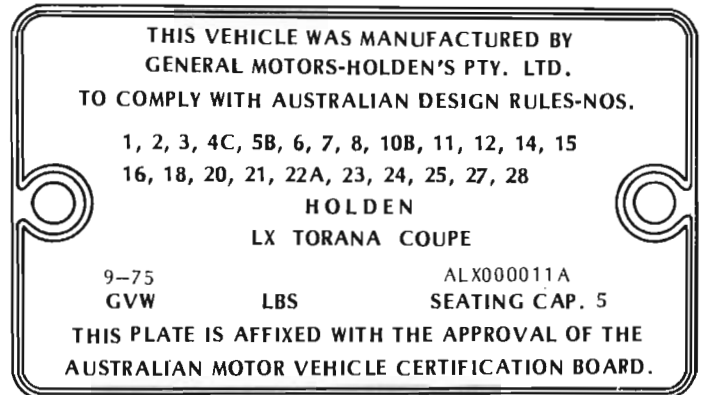


SAFETY COMPLIANCE PLATE

(Not Applicable to Export)

Plate stamped with the following information:–

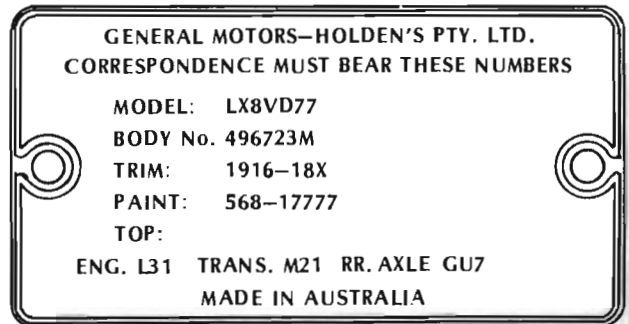
- Australian Design Rule Numbers. (A.D.R.)
- Vehicle Make -- Holden
- Vehicle Model Name and Style
- Month and Year of Manufacture
- Vehicle Serial Number
- Seating Capacity of Vehicle



BODY IDENTIFICATION PLATE

Plate stamped with the following information:–

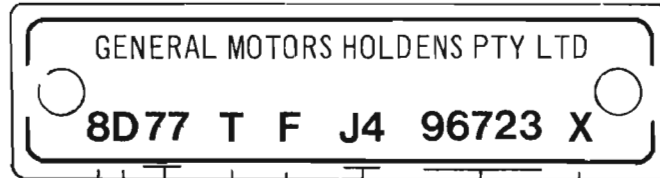
- Model, Body Serial Number
- Trim, (Catalogue purposes e.g. 18X), Paint
- Production option numbers for Engine
- Transmission and Rear Axle Numbers
- M – Assembly Plant Codes:–
 - A – Adelaide B – Brisbane
 - S – Sydney M – Melbourne



REPLACEMENT PARTS INTERPRETATION (Cont'd)

MODEL IDENTIFICATION BY V.I.N. PLATE:

The Vehicle Identification Numbering System (V.I.N.) is based on the uniform Car Model Designation System. The reason for this is to identify the vehicle entirely in one coded series of fourteen characters.



DIVISION —
 SERIES CODE (Degree of Luxury) —
 BODY STYLE CODE —
 ENGINE CODE —
 MODEL YEAR CODE —
 ASSEMBLY PLANT CODE —
 SERIAL (SEQUENCE) NUMBER —
 MODEL CODE —

EXPLANATION OF VEHICLE NUMBERING SYSTEM

The significance of these characters or blocks of characters is explained below, using as an Example Identification Number 8D77 TFJ 496723X

1st. Character	8	Standard Numeral Allocation to GMH Pty. Ltd.
2nd. Character	D	Degree of Luxury:— 'B' — 6 or 8 Cyl. 'S' 'C' — 6 or 8 Cyl. 'SL' 'D' — 6 or 8 Cyl. 'SLR', 'SS' 'G' — 4 Cyl. 'S'
3rd. & 4th. Character	77	Standard Body Style Identification '69' — All 4 Door Sedan Body Styles
5th. Character	T	Engine Identification Code (Refer Engine Identification Page 7)
6th. Character	F	Identifies Model Year. This Letter changes September 1st. each year and relates to GM Internal Operations only:— E—1975, F—1976.
7th. & 8th. Character	J4	Australian Assembly Plant Identification Code:— H1 thru H4 — Brisbane H5 thru H9 — Sydney J1 thru J9 — Dandenong L1 thru L5 — Adelaide
9th. thru 13th. Character	96723	Sequential Production Serial. This Designates the Serial Unit Number at each Vehicle Assembly Plant, starting at (0001); and to continue in Numerical Sequence regardless of Vehicle Type
14th. Character	X	GMH LIMITED Model Code Designation for each Model Programme For example:— Torana 'LH' Programme — H

TORANA "LX" PARTS CATALOGUE

REPLACEMENT PARTS INTERPRETATION (Cont'd)

ENGINE SERIAL NUMBER STAMPING LOCATION

L4 – On Pad at LH side of Engine below No. 2 Spark Plug
Example:– 19S – V0003823Y

L6 – On Pad above Engine Mounting Bosses RH side of Engine

V8 – On Pad at top front LH side of Cylinder Case.

ENGINE IDENTIFICATION and SPECIFICATIONS

ENGINE	TYPE	BORE	STROKE	COMP. RATIO	ENGINE NO. PREFIX	IDENT. CODE
1900	L4	3.66''	2.75''	9.0:1	*	Y
2250	L6	3.125''	3.00''	9.2:1	HB	B
Low Compression 2250	L6	3.125''	3.00''	7.8:1	HC	C
2850	L6	3.50''	3.00''	9.4:1	HD	D
Low Compression 2850	L6	3.50''	3.00''	8.3:1	HE	E
3300	L6	3.62''	3.25''	9.4:1	HL	L
Low Compression 3300	L6	3.62''	3.25''	7.8:1	HM	M
4.2 Litre	V8	3.62''	3.06''	9.0:1	HR	R
5 Litre	V8	4.00''	3.06''	9.0:1	HT	T

* Engine No. Suffix 'Y'

TRANSMISSION SERIAL NUMBER PLATE

"TRI-MATIC"

Plates attached to Automatic Transmission carry coded information which could be significant in parts interpretation.

LOCATION:

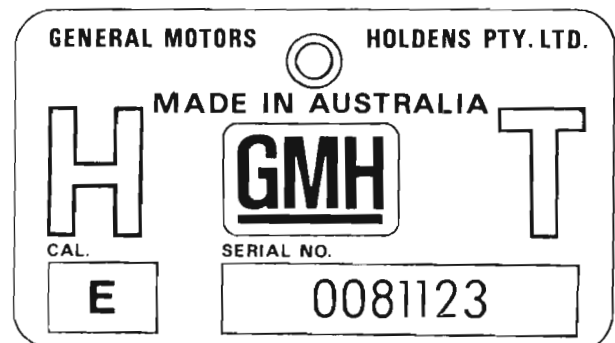
Plate attached to LHS of the Transmission Case. The Serial Number Plate has a red background.

Plate stamped with the following information:–

Transmission Code: 'KA' – 1900 Eng.
'HN' – 2850 Eng.
'HT' – 3300 Eng.
'HO' – 4.2 Litre Eng.
'HP' – 5.0 Litre Eng.

Valve Body Calibration Code: 'E'

Serial Number: 0081123



INTERIOR TRIM

All items of trim are identified by a part number consisting of a basic number which identifies the item and a suffix consisting of alphabetical symbols which denotes the colour, e.g.,

BASIC NO.	SUFFIX	COMPLETE NO.
9940627	DT	9940627DT

To interpret trim requirements it is necessary to determine the model and trim number from the Body Identification Plate attached to the top ledge of the dash panel under the engine hood, also the type of seats etc., fitted with the exception of door trims, seat cushions and back covers. refer Model and Trim Combination Number to the 'Trim Colour Chart' on Page 9, to establish the specific colour name.

Trim Numbers will be allocated to identify trim colour only and will not indicate trim design requirements. The colour will be predicted by the colour of the vinyl used in seat construction.

Separate numbers will be allocated for vinyl and vinyl/cloth combinations.

The codes will consist of 2 numeric characters and one alphabetical character established as follows:

Characters 1 & 2

Will identify colour family and shade

The first digit will identify the colour family and the second digit the shade.

Shade numbers will be allocated from light to dark in ascending number order.

00-09 Open	50-59 Yellow - Gold
10-19 Neutral	60-69 Brown - Beige - Orange
20-29 Blue	70-79 Pink - Red - Plum
30-39 Aqua - Turquoise	80-89 Miscellaneous
40-49 Green	90-99 Firemist Metallic.

Character 3

Will identify as a Vinyl and Vinyl/Cloth combinations

'A', 'V' will indicate Vinyl

'B', 'X', 'Y' will indicate Vinyl and Cloth

Shown below as examples are the combination numbers allocated to cover Jade Trim:-

- 18V Slate Black Vinyl Trim
- 18X, 18Y Slate Black Vinyl and Cloth Trim

TORANA "LX" PARTS CATALOGUE

MODEL IDENTIFICATION (Cont'd.)

PRODUCED IN RIGHT HAND AND LEFT HAND DRIVE

MODEL	INTRODUCED
8UG69 Torana 'S' 4 Door Sedan 4 Cyl.	March, 1976 – November, 1976
8UH69 Torana 'SL' 4 Door Sedan 4 Cyl.	March, 1976 – November, 1976
8VB69 Torana 'S' 4 Door Sedan 6 & 8 Cyl.	March, 1976
8VC69 Torana 'SL' 4 Door Sedan 6 & 8 Cyl.	March, 1976
8VD69 Torana 'SLR' 4 Door Sedan 6 Cyl. & 4.2 litre (RHD)	March, 1976
8VD69 Torana 'SLR5000' 4 Door Sedan 5 litre (RHD)	March, 1976

Note: RHD – Right Hand Drive Only

MODEL	INTRODUCED
8UH77 Torana 'SL' 2 Door Hatchback Coupe 4 Cyl. (Export)	March, 1976
8VC77 Torana 'SL' 2 Door Hatchback Coupe 6 & 8 Cyl.	March, 1976
8VD77 Torana 'SS' 2 Door Hatchback Coupe 6 & 8 Cyl.	March, 1976

ENGINE

4 Cyl. 1900	Bore 3.660"	Stroke 2.75"	Disp. 115.72 cu.in.
	Bore 93 mm	Stroke 69.8 mm	Disp. 1897 cc
Oil Capacity:	3.5 litres (6.1 pints) without filter, 3.8 litres (6.7 pints) with filter		
6 Cyl. 2850	Bore 3.500"	Stroke 3.00"	Disp. 173 cu.in.
	Bore 88.9 mm	Stroke 76.2 mm	Disp. 2834 cc
Oil Capacity:	3.4 litres (6.0 pints) without filter, 4.2 litres (7.5 pints) with filter		
6 Cyl. 3300	Bore 3.625"	Stroke 3.25"	Disp. 202 cu.in.
	Bore 92.075 mm	Stroke 82.550 mm	Disp. 3310 cc
Oil Capacity:	4.0 litres (7.0 pints) without filter, 4.8 litres (8.5 pints) with filter		
8 Cyl. 4.2 Litre	Bore 3.625"	Stroke 3.062"	Disp. 253 cu.in.
	Bore 92.075 mm	Stroke 77.775 mm	Disp. 4146 cc
Oil Capacity:	4.0 litres (7.0 pints) without filter, 4.8 litres (8.5 pints) with filter		
8 Cyl. 5.0 Litre	Bore 4.004"	Stroke 3.062"	Disp. 308 cu.in.
	Bore 101.60 mm	Stroke 77.775 mm	Disp. 5047 cc
Oil Capacity:	4.0 litres (7.0 pints) without filter, 4.8 litres (8.5 pints) with filter		

TRANSMISSION

- 4 Speed – Manual – Console Shift – 6 & 8 Cyl. Engs.
Oil Capacity: 1.9 litres (3.4 pints)
- 4 Speed – Manual – Console Shift – 4 Cyl. 'Torquemaster' (Export)
Oil Capacity: 1.4 litres (2.46 pints)
- 3 Speed Trimatic Automatic – Column & Console Shift – 4, 6 & 8 Cyl. Engs.
Oil Capacity: 6.1 litres (10.7 pints)

MODEL IDENTIFICATION

TORANA



CODE

8VB69

TORANA 'S' 4 DOOR SEDAN 6 & 8 Cyl.

8VC69

TORANA 'SL' 4 DOOR SEDAN 6 & 8 Cyl.



CODE

8VD69

TORANA 'SLR' 4 DOOR SEDAN 6 & 8 Cyl.



CODE

8VD69

TORANA 'SLR5000' 4 DOOR SEDAN 8 Cyl.

TORANA "LX" PARTS CATALOGUE

MODEL IDENTIFICATION (Cont'd.)



8VC77

CODE		INTRODUCED
8UH77	Torana "SL" 2 Door Hatchback Coupe 4 Cyl.(Export)	March, 1976
8VC77	Torana "SL" 2 Door Hatchback Coupe 6 & 8 Cyl.	March, 1976

FIG. 4



8VD77

CODE		INTRODUCED
8VD77	Torana "SS" 2 Door Hatchback Coupe 6 & 8 Cyl. Produced in Right Hand Drive Only.	March, 1976

FIG. 5

CODE

INTRODUCED

FIG. 6

TORANA "LX" PARTS CATALOGUE

MODEL IDENTIFICATION (Cont'd.)



8VD69

CODE

8VD69 Torana "SLR" 4 Door Sedan 6 Cyl. & 4.2 Litre Eng.
Produced in Right Hand Drive Only

INTRODUCED

March, 1976

FIG. 7



8VD69

CODE

8VD69 Torana "SLR5000" 4 Door Sedan 5 Litre Eng.
Produced in Right Hand Drive Only

INTRODUCED

March, 1976

FIG. 8

CODE

INTRODUCED

FIG. 9

PRODUCTION OPTION CHART

The following Production Option listing is included to facilitate the interpretation of Option Codes referred to by Production and Vehicle Sales.

OPTION	DESCRIPTION	OPTION	DESCRIPTION
A02	LAMINATED TINTED WINDSHIELD GLASS	M11	CONSOLE FLOOR SHIFT
A22	LAMINATED WINDSHIELD GLASS	M15	MANUAL TRANSMISSION 3 SPEED
A48	DELETE FRONT & REAR SEAT BELTS	M20	MANUAL TRANSMISSION 4 SPEED 3.05:1 1st
A52	FRONT BENCH SEAT	M21	MANUAL TRANSMISSION 4 SPEED 2.54:1 1st
A76	HEAVY DUTY REAR SEAT	M40	AUTOMATIC TRANSMISSION 3 SPEED - TRI-MATIC
A8H	LUXURY TRIM & INTERIOR EQUIPMENT	MC2	MANUAL TRANSMISSION 3 SPEED
B02	TAXI EQUIPMENT	MC6	MANUAL TRANSMISSION 4 SPEED 3.40:1 1st
B03	TAXI INSTRUMENT PANEL MODIFICATION	N05	FUEL TANK LOCKING CAP
B26	DOOR PULL TO HANDLE - FRONT DOORS	N10	DUAL EXHAUST SYSTEM
B29	DOOR PULL TO HANDLE - REAR DOORS	N66	WHEEL - SPORTS 6.00 JJ x 13
C27	EXTERIOR SOFT TRIM ROOF COVER - BLACK	N70	WHEEL - WIDE RIM 5.95 JJ x 13
C48	DELETE HEATER	PO2	WHEEL TRIM DISC
C49	HEATER - REAR WINDOW ELECTRIC	PO3	WHEEL TRIM DISC & CHROME WHEEL NUTS
C58	FORCED VENT SYSTEM - NON HEATED	PA1	WHEEL SPORTS TRIM DISC & CHROME NUTS
C60	AIR CONDITIONER - MANUAL CONTROL	QAR	TYRE - A78L13 4P/R BLACK
C66	A/CPREPARATORY EQUIP. - HIGH AMBIENT	QAV	TYRE - PR78S13 RAD. 4P/R BLACK
CB3	EXTERIOR SOFT TRIM ROOF COVER - CHAMOIS	QAW	TYRE - AR78S13 RAD. 4P/R BLACK
D31	ANTI-GLARE REAR VISION MIRROR	QBL	TYRE - B78S13 4P/R BLACK
D55	SEAT SEPARATOR	QBM	TYRE - B78L13 4P/R BLACK
D99	EXTERIOR TWO TONE PAINT	QBT	TYRE - BR70H13 RAD. PLY BLACK
DX5	ACCENT STRIPE - SILVER/BLACK	QDU	TYRE - CR70H13 RAD. PLY BLACK
DY1	ACCENT STRIPE - ORANGE/RED	QRB	TYRE - 175SR13 RAD. PLY BLACK
DY2	ACCENT STRIPE - BLACK/GOLD	T62	BATTERY - DRY CHARGED
E28	ASSIST HANDLES - 1 FRONT, 2 REAR	T64	DELETE BATTERY
F71	SPRINGS & SHOCK ABSORBERS - HEAVY DUTY	T89	TAIL & STOP LAMP ASSEMBLY
G66	SUPERLIFT REAR SHOCK ABSORBERS	U11	SPEEDOMETER - POLICE - NEW ZEALAND
G80	LIMITED SLIP DIFFERENTIAL	U19	SPEEDOMETER - km/mi-km ODOMETER
GU4	REAR AXLE - 3.08:1 RATIO	U21	CLUSTER - OIL, WATER, VOLT. TACHOMETER
GU7	REAR AXLE - 2.78:1 RATIO	U25	REAR COMPARTMENT LAMP
GU8	REAR AXLE - 3.90:1 RATIO	U72	ANTENNA - POWER - FRONT
GV4	REAR AXLE - 3.36:1 RATIO	U80	REAR SEAT SPEAKER
GV7	REAR AXLE - 3.55:1 RATIO	U91	ROOF SIGN LEAD - TAXI
JL2	FRONT WHEEL DISC BRAKES	UA1	BATTERY - 60AH - WET CHARGE
K45	HEAVY DUTY AIR CLEANER	UN6	RADIO - AM - PUSH BUTTON
K69	IGNITION KEY - 3 KEY SET	UR3	FUEL ECONOMY WARNING LIGHT
K75	DELETE EVAPORATIVE EMISSION CONTROL	VO1	HEAVY DUTY RADIATOR
L16	ENGINE - 4 CYL. OPEL 1900 - 9.0:1 RATIO	VE5	FRONT & REAR BUMPER BAR RUB STRIP
L20	ENGINE - 6 CYL. H/C 3310 c.c.	XS2	CONFORT & CONVENIENCE EQUIPMENT
L23	ENGINE - 6 CYL. L/C 3310 c.c.	XS6	FRONT BUCKET SEATS
L31	ENGINE - V8 H/C 5047 c.c.	XS7	FUEL TANK CAPTIVE FILLER CAP & SPRING
L32	ENGINE - V8 H/C 4146 c.c.	XS9	VINYL & NYLON CLOTH TRIM
LD1	ENGINE - 6 CYL. H/C 2834 c.c.	XV1	PERFORMANCE APPEARANCE PACKAGE - G Pak
LD2	ENGINE - 6 CYL. L/C 2834 c.c.	XW3	EXTERIOR SOFT TRIM ROOF COVER - TAN
LD3	ENGINE - 6 CYL. L/C	XX3	GM NEW ZEALAND VEHICLE PACKAGE
LD6	ENGINE - 6 CYL. H/C	XY9	NEUTRAL HEADLINING TRIM
MO1	CLUTCH - HEAVY DUTY		

E - EXPORT

G/E - GOVERNMENT AND/OR EXPORT

TORANA "LX" PARTS CATALOGUE

POWER TRAIN COMBINATIONS:—

Refer Production Option Chart for Code Description.

ENGINE	TRANSMISSION	REAR AXLE		DRIVE	UG	UH	VB	VC	VD
		STANDARD	OPTIONAL						
L16	MC6	GU8 - 3.90		R -	S	S			
	M40	GV4 - 3.36		R -	A	A			
LD1	M15	GV4 - 3.36		R -			S	S	
	MC2	GV4 - 3.36		- L			E	E	
	M20	GV4 - 3.36		R L			A	A	
	M40	GU7 - 2.78	GV4 - 3.36	R L			A	A	
LD2	M15	GV4 - 3.36		R -			A	A	
	MC2	GV4 - 3.36		- L			E	E	
	M20	GV4 - 3.36		R L			A	A	
	M40	GU7 - 2.78		R L			A	A	
LD3	M15	GV7 - 3.55		R -			E	E	
	M20	GV7 - 3.55		R L			E	E	
	M40	T. B. A.		R L			E	E	
LD6	M15	GV7 - 3.55		R -			E	E	
	M20	GV7 - 3.55		R L			E	E	
	M40	T. B. A.		R L			E	E	
L20	M15	GU4 - 3.08	GV4 - 3.36	R -			A	A	
	MC2	GV4 - 3.36		- L			E	E	
	M20	GU4 - 3.08	GV4 - 3.36	R L			A	A	S
	M40	GU7 - 2.78	GV4 - 3.36	R L			A	A	A
L23	M15	GV4 - 3.36		R -			E	E	
	MC2	GV4 - 3.36		- L			E	E	
	M20	GV4 - 3.36		R L			E	E	
	M40	GU7 - 2.78		R L			E	E	
L31	M21	GU7 - 2.78		R L					A
	M40	GU7 - 2.78		R -					A
L32	M20	GU4 - 3.08		R -					A
				R L			A	A	
	M40	GU7 - 2.78		R -					A
				R L			A	A	

SYMBOL: A = AVAILABLE
S = STANDARD
E = EXPORT

TORANA "LX" PARTS CATALOGUE

A

ACTUATOR - Air conditioner vacuum	9.280
ACTUATOR - Transmission parking lock	4.294
ADAPTOR - Air conditioner control	9.278
ADAPTOR - Engine sender unit	0.277
ADAPTOR - Horn button	2.824
ADAPTOR - Oil filter	1.835
ADAPTOR - Speedometer drive	4.337
ADAPTOR - Steering shaft lower bearing	6.524
ADAPTOR - Transmission rear bearing	4.317
ADAPTOR - Vacuum	3.265
ADHESIVE	8.800
ADJUSTER - Front seat	11.561
AIR CLEANER	3.402
AIR CONDITIONER	9.169
AIR HORN - Carburettor	3.763
ANCHOR - Hood lock control rod	8.077
ANTENNA - Radio	9.662
ANTI-FREEZE - Radiator	8.800
ARM - Front suspension control	6.168
ARM - Fuel pump rocker	3.920
ARM - Rear suspension control	5.382
ARM - Steering	6.103
ARM - Timing chain tensioner	0.726
ARM - Valve rocker	0.333
ARM - Windshield wiper	10.147
ARM REST - Console	15.288
ARM REST - Front door	14.686
ARM REST - Rear door	14.762
ARM REST - Rear quarter	14.762
ARMATURE - Starter motor	2.043
ARMATURE - Wind shield wiper motor	10.150
ARRESTOR - Transmission support mounting	4.081
ASH TRAY - Instrument panel	12.009
ASH TRAY - Rear door	12.045
ASH TRAY - Rear quarter arm rest	12.045

B

BACK - Rear seat	14.998
BAFFLE - Automatic choke heat tube	3.720
BAFFLE - Carburettor float chamber	3.776
BAIL - Brake main cylinder cover	4.651
BAIL - Fuel pump bowl	3.906
BALL - Distributor breaker plate retaining	2.385
BALL - Gearshift lever detent	4.012
BALL - Oil filter valve	1.837
BALL - Oil pressure regulator valve	1.609
BALL - Reverse idler shaft	4.433
BALL - Transmission control valve	4.265
BALL - Windshield wiper motor	10.150
BALL JOINT - Control arm	6.168
BAND - Transmission reaction	4.251
BAR - Bumper	7.831
BAR - Carburettor air horn reinforcing	3.763
BAR - Horn actuating	2.830
BAR - Tow	9.600
BAR - Underbody cross	12.982
BARREL & KEY - Deck lid	12.248
BARREL & KEY - Door locking	10.550
BASE - Air conditioner control	9.279
BASE - Dome lamp	11.925
BASE - Tail, stop & turn signal lamp	2.679
BATTERY	2.332
BEARING - Axle shaft	5.855
BEARING - Brake pedal pivot	4.626
BEARING - Camshaft thrust	0.533

BEARING - Clutch gear	4.355
BEARING - Clutch throw-out	0.799
BEARING - Counter shaft	4.422
BEARING - Crankshaft clutch pilot	0.649
BEARING - Differential side	5.536
BEARING - Front pinion	5.447
BEARING - Front wheel inner	6.311
BEARING - Front wheel outer	6.313
BEARING - Generator drive end	2.306
BEARING - Generator slip ring end	2.298
BEARING - Main shaft front	4.352
BEARING - Main shaft rear	4.408
BEARING - Planet pinion	4.177
BEARING - Rear pinion	5.484
BEARING - Steering gear	6.530
BEARING - Steering shaft lower	6.524
BEARING - Steering shaft upper	6.521
BEARING - Transmission input sun gear	4.177
BEARING - Transmission reaction sun gear	4.177
BEARING SET - Camshaft	0.536
BEARING SET - Connecting rod	0.616
BEARING SET - Crankshaft	0.094
BEARING UNIT - Crankshaft centre	0.101
BEARING UNIT - Crankshaft front	0.096
BEARING UNIT - Crankshaft front intermediate..	0.099
BEARING UNIT - Crankshaft rear	0.106
BEARING UNIT - Crankshaft rear intermediate ..	0.103
BELT - Air conditioner compressor	9.180
BELT - Fan and generator	1.066
BELT - Front seat	14.798
BELT - Rear seat	15.040
BEZEL - Rear licence plate lamp	2.706
BLADE - Fan	1.064
BLADE - Windshield wiper	10.146
BLEEDER - Carburettor high speed	3.751
BLOCK - Cylinder	0.033
BOARD - Rear seat back pillar	12.582
BODY - Air conditioner terminal	9.276
BODY - Body wiring harness	13.090
BODY - Brake main cylinder	4.650
BODY - Brake wheel cylinder	4.665
BODY - Carburettor main	3.748
BODY - Carburettor throttle	3.727
BODY - Clutch main cylinder	0.902
BODY - Front door jamb switch	11.950
BODY - Fuel pump	3.902
BODY - Governor valve	4.256
BODY - Oil pump	1.653
BODY - Parking brake warning lamp switch	4.610
BODY - Rear compartment lamp switch	11.960
BODY - Shell	10.002
BODY - Shock absorber tee valve	7.347
BODY - Stop lamp lead	13.090
BODY - Transmission control valve	4.265
BODY - Water pump	1.073
BODY - Wiring harness	2.555
BODY ASSEMBLY	10.001
BODY & CABLE - Turn signal lamp	2.586
BODY & GEAR - Transmission oil pump	4.226
BOLT - Air conditioner belt pulley	9.180
BOLT - Battery mounting	2.333
BOLT - Brake backing plate	5.002
BOLT - Brake pedal pivot	4.636
BOLT - Bumper face bar	7.836
BOLT - Camshaft locator bolt	0.533
BOLT - Clutch housing to block	0.683
BOLT - Clutch pedal retainer	0.837

TORANA "LX" PARTS CATALOGUE

BOLT - Connecting rod	0.623	BRACKET - Fuel separator	3.120
BOLT - Converter to driven plate	4.156	BRACKET - Fuel tank filler door	12.966
BOLT - Crankshaft bearing cap	0.056	BRACKET - Fuel tank mounting	3.001
BOLT - Cylinder head	0.293	BRACKET - Fuel tank stone guard	3.001
BOLT - Differential carrier	5.506	BRACKET - Fuse panel mounting	2.481
BOLT - Differential carrier to housing	5.387	BRACKET - Generator drive end	2.305
BOLT - Exhaust pipe to muffler	3.616	BRACKET - Generator mounting	2.277
BOLT - Flywheel to crankshaft	0.669	BRACKET - Generator slip ring end	2.297
BOLT - Front engine mounting	0.027	BRACKET - Hood lock	8.085
BOLT - Front seat adjuster handle	11.588	BRACKET - Hood lock control rod	8.077
BOLT - Front seat belt	14.798	BRACKET - Ignition coil	2.170
BOLT - Fuel pump	3.900	BRACKET - Parking brake cable	4.829
BOLT - Generator through	2.316	BRACKET - Power plant mounting	6.008
BOLT - Muffler to tail pipe	3.706	BRACKET - Radiator grille name plate	1.265
BOLT - Radiator support	1.221	BRACKET - Radiator shroud support	1.270
BOLT - Rear suspension control arm	5.382	BRACKET - Rear quarter window	11.010
BOLT - Ring gear	5.531	BRACKET - Rear seat back	11.634
BOLT - Spare wheel retaining	7.632	BRACKET - Rear seat back hinge	11.630
BOLT - Starter motor	2.041	BRACKET - Rear suspension control arm	5.382
BOLT - Starter motor through	2.077	BRACKET - Rear vision mirror	10.187
BOLT - Steering gear to crossmember	6.509	BRACKET - Seat belt retractor mounting	14.798
BOLT - Transmission servo piston	4.233	BRACKET - Solenoid detent switch	4.054
BOLT - Valve push rod cover	0.449	BRACKET - Starter motor steady	2.041
BOLT - Valve rocker arm pivot	0.429	BRACKET - Steering column support	6.760
BOLT - Wheel hub	5.812	BRACKET - Throttle cable retainer	3.430
BOLT - Windshield wiper through	10.150	BRACKET & DAMPER ASSY. - Trans. support	4.081
BOOSTER - Brake vacuum servo	4.902	BRACKET & INSULATOR - Tail pipe support	3.710
BOOT - Booster relay push rod	4.659	BRACKET & SUPPORT - Muffler	3.704
BOOT - Brake booster	4.907	BREATHING - Air cleaner	3.410
BOOT - Brake wheel cylinder	4.670	BREATHING - Rear axle housing	5.387
BOOT - Clutch fork	0.797	BRIDGE - Air cleaner	3.403
BOOT - Gearshift lever	4.015	BRIDGE - Generator rectifier	2.289
BOOT - Spark plug	2.258	BRUSH - Distributor cap	2.370
BOOT - Steering tie rod socket	6.233	BRUSH SET - Generator	2.285
BOOT - Tie rod	6.255	BRUSH SET - Starter motor	2.051
BOW - Roof	12.952	BUFFER - Starter motor drive pinion	2.087
BOWL - Fuel pump	3.903	BULB - Combined instrument	2.515
BOX - Generator brush	2.291	BULB - Dome lamp	11.925
BRACE - Air conditioner compressor	9.171	BULB - Instrument panel compartment lamp	10.270
BRACE - Deck lid hinge bracket	12.184	BULB - Rear compartment lamp	11.960
BRACE - Generator	2.317	BULB - Rear licence plate lamp	2.700
BRACE - Instrument panel to dash	6.761	BULB - Tail and stop lamp	2.679
BRACE - Rear shock absorber	12.984	BULB - Transmission control illumination	4.038
BRACE - Side member to rocker inner panel	12.982	BULB - Transmission control indicator	4.038
BRACE ASSEMBLY - Clutch lever	0.852	BULB - Turn signal and back-up lamp	2.679
BRACKET - Accelerator return spring	3.459	BULB - Turn signal indicator	2.893
BRACKET - Air conditioner actuator	9.280	BULB - Turn signal lamp	2.586
BRACKET - Air conditioner compressor	9.171	BUMPER - Clutch pedal	0.830
BRACKET - Air conditioner hose support	9.220	BUMPER - Console lid	15.292
BRACKET - Air conditioner receiver & dehydrator	9.195	BUMPER - Control arm	6.176
BRACKET - Battery mounting bolt	2.333	BUMPER - Deck lid	12.212
BRACKET - Brake booster	4.901	BUMPER - Differential pinion nose	5.395
BRACKET - Brake hose	4.681	BUMPER - Door to pillar	10.587
BRACKET - Bumper bar mounting	7.836	BUMPER - Fan guard	1.270
BRACKET - Carburettor choke cable	3.795	BUMPER - Front licence plate	7.796
BRACKET - Clutch actuating cylinder	0.934	BUMPER - Fuel tank filler door	12.966
BRACKET - Clutch brace	0.852	BUMPER - Hood	8.024
BRACKET - Clutch fork return spring	0.846	BUMPER - Instrument panel compartment door	10.263
BRACKET - Clutch housing to cylinder block	0.683	BUMPER - Rear axle	7.535
BRACKET - Clutch pedal support	0.833	BUMPER - Rear floor anti-rattle	12.580
BRACKET - Console rear mounting	15.290	BUMPER - Rear seat back lock	11.634
BRACKET - Deck lid hinge	12.184	BUSHING - Air conditioner mode valve	9.280
BRACKET - Differential pinion nose bumper	5.395	BUSHING - Brake adjuster	5.103
BRACKET - Distributor	2.414	BUSHING - Brake booster relay lever	4.628
BRACKET - Engine mounting	0.027	BUSHING - Brake pedal shaft	4.626
BRACKET - Exhaust manifold	3.601	BUSHING - Clutch pedal shaft	0.831
BRACKET - Front seal separator	15.290	BUSHING - Clutch relay lever pivot	0.852

TORANA "LX" PARTS CATALOGUE

BUSHING - Converter housing	0.683	CAP - Water pump closing	1.069
BUSHING - Crankshaft clutch pilot	0.649	CAP - Wheel hub	5.858
BUSHING - Distributor	2.362	CARBURETTOR	3.725
BUSHING - Door hinge	10.466	CARPET - Console	15.291
BUSHING - Front stabilizer spacer	7.243	CARPET - Front floor	15.286
BUSHING - Front suspension	6.008	CARPET - Package tray	15.024
BUSHING - Gearshift control lever	4.006	CARPET - Rear floor	15.306
BUSHING - Gearshift control shaft	4.040	CARPET - Rear seat back filler board	15.310
BUSHING - Generator brace	2.317	CARPET - Rear seat back, rear	15.310
BUSHING - Generator mounting	2.277	CARPET - Wheelhouse	15.100
BUSHING - Lighting switch	2.487	CARRIER - Transmission planetary	4.177
BUSHING - Lower control arm	6.170	CARRIER - Water bag	9.608
BUSHING - Oil pump drive shaft	1.653	CARRIER & CAP - Differential	5.505
BUSHING - Parking brake pedal release rod ...	4.594	CASE - Combined instrument	2.515
BUSHING - Rear suspension control arm	5.382	CASE - Differential	5.510
BUSHING - Reverse idler gear	4.433	CASE - Forced air ventilation	9.779
BUSHING - Shock absorber mounting	7.370	CASE - Heater	9.779
BUSHING - Starter motor commutator end	2.083	CASE - Instrument panel compartment lock	10.266
BUSHING - Starter motor drive end	2.083	CASE - Transmission	4.103
BUSHING - Starter motor drive pinion	2.087	CATCH - Hood safety	8.036
BUSHING - Temperature gauge sender unit	0.277	CATCH ASSEMBLY - Rear tonneau floor	12.581
BUSHING - Transmission case	4.103	CEMENT - Neoprene	8.800
BUSHING - Transmission oil pump body	4.226	CHAIN - Camshaft timing	0.724
BUSHING - Trans. rear extension housing	4.317	CHANNEL - Front door glass	10.685
BUSHING - Transmission second clutch hub ...	4.158	CHANNEL - Front door glass run	10.701
BUSHING - Transmission sun gear	4.158	CHANNEL - Rear door division	10.829
BUSHING - Upper control arm	6.164	CHANNEL - Rear door glass lifter	10.747
BUTTON - Gearshift control	4.009	CHANNEL - Rear door glass run	10.759
BUTTON & EMBLEM - Horn	2.820	CHANNEL - Rear window glass	11.207
C			
CABLE - Battery ground	2.341	CHANNEL - Windshield glass	10.092
CABLE - Clutch control	0.787	CIRCLIP - Clutch cable insulator	0.787
CABLE - Heater control	9.779	CIRCLIP - Distributor cam retainer	2.381
CABLE - Hood lock control	8.075	CIRCLIP - Generator drive end shaft	2.307
CABLE - Parking brake	4.826	CIRCLIP BREAKER - Air conditioner	9.275
CABLE - Speedometer	4.342	CLAMP - Air cleaner	3.403
CABLE - Starter	2.342	CLAMP - Air conditioner hose	9.220
CABLE - Throttle control	3.430	CLAMP - Brake vacuum servo hose	4.931
CALIPER - Brake	4.665	CLAMP - Carburettor choke cable	3.795
CAM - Carburettor fast idle	3.735	CLAMP - Clutch cable	0.787
CAM - Distributor	2.381	CLAMP - Distributor	2.414
CAM - Fuel gauge tank unit retainer	3.107	CLAMP - Exhaust pipe to muffler	3.616
CAM - Sliding glass	10.783	CLAMP - Guard to bumper bar	7.828
CAM - Transmission detent	4.311	CLAMP - Heater hose	9.779
CAMSHAFT	0.519	CLAMP - Inlet manifold water hose	3.260
CANISTER - Fuel vapour	3.130	CLAMP - Manifold	3.273
CAP - Air conditioner compressor valve	9.170	CLAMP - Muffler to tail pipe	3.706
CAP - Canister sealing	3.130	CLAMP - Radiator hose	1.166
CAP - Clutch main cylinder	0.907	CLAMP - Tail pipe support	3.710
CAP - Crankshaft centre bearing	0.100	CLEVIS - Clutch control	0.787
CAP - Crankshaft front bearing	0.095	CLEVIS - Clutch main cylinder push rod	0.920
CAP - Crankshaft front intermediate bearing ..	0.098	CLIP - Air conditioner control link	9.280
CAP - Crankshaft rear bearing	0.105	CLIP - Automatic choke heat pipe	3.720
CAP - Crankshaft rear intermediate bearing ...	0.102	CLIP - Body wiring harness	13.092
CAP - Distributor	2.367	CLIP - Brake caliper anti-rattle	4.665
CAP - Front door trim clip sealing	14.685	CLIP - Brake hose	4.681
CAP - Fuel tank filler	3.028	CLIP - Brake pipe	4.685
CAP - Oil filler	1.758	CLIP - Carburettor fast idle rod	3.793
CAP - Oil pressure regulator valve	1.609	CLIP - Distributor vacuum control rod	2.410
CAP - Radiator pressure	1.203	CLIP - Front door trim	14.685
CAP - Rear door trim clip sealing	14.760	CLIP - Front seat back cover	11.371
CAP - Shock absorber air valve	7.347	CLIP - Front seat back rear trim	14.803
CAP - Spark plug wire guard	2.258	CLIP - Fuel pipe	3.202
CAP - Starter motor armature bearing	2.063	CLIP - Hood lock cable	8.075
CAP - Thermostat housing	1.251	CLIP - Instrument panel pad	14.655
CAP - Valve spring	0.309	CLIP - Parking brake cable	4.826
		CLIP - Parking brake lever retainer	5.158
		CLIP - Rear door trim	14.760

CLIP - Spark control pipe to fuel pipe	2.424	COVER - Oil pump	1.723
CLIP - Speedometer cable	4.342	COVER - Rear seat back	15.000
CLIP - Speedometer drive gear	4.337	COVER - Rear seat back centre hinge	15.000
CLIP - Starter cable	2.342	COVER - Rear seat cushion	15.035
CLIP - Tie rod boot	6.255	COVER - Roof panel	12.810
CLIP - Transmission oil pipe	4.128	COVER - Seat, towelling	9.614
CLIP - Vacuum modulator pipe	4.205	COVER - Spare wheel	15.222
CLIP - Windshield wiper link	10.160	COVER - Starter motor solenoid switch	2.102
CLIP - Wiring harness	2.555	COVER - Steering column	6.518
CLIP & TERMINAL - Fuse holder	2.481	COVER - Steering column to dash	6.758
CLOCK - Combined instrument	2.515	COVER - Steering wheel	9.610
CLUTCH - Fan	1.050	COVER - Transmission	4.105
CLUTCH - Transmission second	4.158	COVER - Transmission control housing	15.293
CLUTCH - Transmission third	4.153	COVER - Transmission control pointer	4.038
CLUTCH ASSEMBLY - Deck lid lock	12.243	COVER - Transmission servo	4.212
COCK - Drain	0.033	COVER - Valve push rod	0.439
COIL - Ignition	2.170	COVER - Valve rocker	0.386
COIL SET - Starter motor field	2.049	COVER - Wheel	5.871
COLLAR - Generator drive end	2.307	COVER & PRESSURE PLATE - Clutch	0.861
COLLAR - Starter motor drive end	2.096	COWL - Body front end	12.803
COLLAR - Starter motor pinion bearing	2.087	CRANK - Windshield wiper motor	10.150
COLUMN - Steering	6.508	CRANKSHAFT	0.646
COMPARTMENT - Instrument panel	10.260	CUP - Brake wheel cylinder	4.667
COMPRESSOR - Air conditioner	9.170	CUP - Clutch actuating cylinder	0.937
CONDENSER - Air conditioner	9.190	CUP - Clutch main cylinder piston	0.911
CONDENSER - Distributor	2.393	CUP - Clutch main cylinder piston secondary..	0.912
CONE - Differential side bearing	5.536	CUP - Differential side bearing	5.536
CONE - Front pinion bearing	5.447	CUP - Front pinion bearing	5.447
CONE - Rear pinion bearing	5.484	CUP - Gearshift lever detent	4.012
CONE - Windshield wiper motor thrust	10.150	CUP - Rear pinion bearing	5.484
CONNECTOR - Brake pipe	4.686	CUP - Valve spring	0.309
CONNECTOR - Clutch actuating cylinder	0.929	CUSHION - Rear seat	15.033
CONNECTOR - Crankcase ventilator hose	1.762	CYLINDER - Brake main	4.650
CONNECTOR - Fuel hose to fuel pump	3.163	CYLINDER - Brake wheel	4.665
CONNECTOR - Oil filter element	1.835	CYLINDER - Clutch actuating	0.934
CONNECTOR - Oil pump pipe & screen to block	1.656	CYLINDER - Clutch main	0.902
CONNECTOR - Parking brake cable	4.830	CYLINDER BLOCK	0.033
CONNECTOR - Transmission oil cooler pipes ..	4.128	CYLINDER HEAD	0.269
CONTACT SET - Distributor	2.384		
CONTROL - Air conditioner	9.278	D	
CONTROL - Choke	3.521	DAM - Front end air	8.126
CONTROL - Door lock remote	10.500	DAMPER - Crankshaft	0.659
CONTROL - Heater	9.779	DAMPER - Gearshift lever plunger	4.006
CONVERTER ASSEMBLY - Forced air ventilation ..	9.779	DAMPER & VALVE - Air cleaner pre-heat	3.415
CONVERTER - Transmission	4.156	DEFLECTOR - Air conditioner evaporator air ..	9.169
COOLER - Radiator oil	1.219	DEFLECTOR - Fender mud	9.620
CORE - Air conditioner compressor valve	9.170	DIAL - Radio	9.662
CORE - Air conditioner evaporator	9.210	DIAL - Transmission control indicator	4.038
CORE - Heater	9.779	DIAPHRAGM - Air cleaner pre-heat	3.415
CORE - Radiator	1.219	DIAPHRAGM - Brake booster	4.908
CORE - Shock absorber air valve	7.347	DIAPHRAGM - Brake main cylinder cover	4.651
COUPLING - Steering shaft flexible	6.524	DIAPHRAGM - Carburettor choke kick	3.799
COVER - Brake adjusting hole	5.188	DIAPHRAGM - Fuel pump	3.925
COVER - Brake main cylinder	4.651	DIFFERENTIAL & CARRIER	5.504
COVER - Camshaft	0.386	DISC - Brake booster	4.907
COVER - Carburettor float chamber	3.763	DISC - Steering tie rod ball backing	6.235
COVER - Carburettor pump	3.782	DISTRIBUTOR	2.361
COVER - Carburettor thermostat	3.796	DOOR - Air conditioner demist	9.280
COVER - Clutch housing	0.679	DOOR - Front	10.351
COVER - Console rear mounting	15.293	DOOR - Fuel tank filler	12.966
COVER - Converter housing	0.679	DOOR - Rear	10.373
COVER - Crankcase front end	0.206	DOWEL - Carburettor thermostat housing	3.796
COVER - Cylinder head side	0.269	DRIVE - Starter motor	2.086
COVER - Front seat back	14.800	DRUM - Brake	5.809
COVER - Front seat cushion	14.880	DRUM - Transmission second clutch	4.158
COVER - Front wheel bearing	5.858	DRUM & INPUT SHAFT - Transmission clutch..	4.153
COVER - Fuel pump	3.910	DUCT - Heater	9.779

TORANA "LX" PARTS CATALOGUE

E

ECCENTRIC - Clutch pedal bumper	0.830
ECCENTRIC - Fuel pump	3.900
ELBOW - Fuel pipe to pump	3.202
ELBOW - Manifold	3.265
ELEMENT - Air cleaner	3.410
ELEMENT - Oil filter	1.835
ENGINE	0.000
EQUALIZER - Parking brake cable	4.764
EQUALIZER - Tow bar load	9.600
ESCUTCHEON - Inst. panel compartment lock ..	10.266
ESCUTCHEON - Rear window glass	11.208
ESCUTCHEON - Windshield channel	10.093
EVAPORATOR & BLOWER, HOUSING - Air cond.	9.169
EXPANDER - Brake wheel cylinder	4.668
EXPANSION VALVE KIT - Air conditioner	9.202
EXTENSION - Brake pedal return spring	4.639
EXTENSION - Exhaust	3.705
EXTENSION - Front floor pan	12.972
EXTENSION - Rear compartment front panel	12.971
EXTENSION - Transmission rear	4.317
EXTENSION - Tyre valve	5.875

F

FACIA - Air conditioner control	9.278
FACIA - Instrument	2.515
FACIA - Instrument panel cover	9.743
FAN - Generator	2.274
FASTENER - Cowl side trim	14.630
FASTENER - Front seat back trim	14.800
FASTENER - Package tray trim	15.024
FASTENER - Rear quarter window	11.010
FASTENER - Valve to air cleaner	3.415
FELT - Distributor	2.362
FENDER - Front	8.130
FERRULE - Gearshift lever boot	4.015
FILTER - Brake booster	4.903
FILTER - Fuel	3.890
FILTER - Oil	1.835
FINGER - Windshield wiper motor earth	10.150
FITTING - Air conditioner compressor	9.170
FLANGE - Differential pinion	5.545
FLANGE - Exhaust pipe packing	3.610
FLASHER - Trailer wiring	9.644
FLASHER - Turn signal	2.892
FLOAT - Carburettor	3.773
FLOOR - Tonneau	12.580
FLUID - Brake	8.800
FLYWHEEL & RING GEAR	0.666
FORK - Clutch	0.795
FORK - Transmission 1st & reverse shift	4.304
FORK - Transmission 1st & 2nd shift	4.303
FORK - Transmission 2nd & 3rd shift	4.303
FORK - Transmission 3rd & 4th shift	4.303
FRAME - Front seal back	11.373
FRAME - Generator drive end	2.305
FRAME - Generator slip ring end	2.297
FRAME - Rear window	11.200
FRAME - Starter motor commutator end	2.067
FRAME - Windshield	12.807
FUSE	2.481

G

GASKET - Air cleaner	3.410
GASKET - Air cleaner to carburettor	3.403
GASKET - Air conditioner evaporator	9.169

GASKET - Air conditioner resistor	9.275
GASKET - Air conditioner valves-in-receiver	9.195
GASKET - Axle housing	5.508
GASKET - Axle housing plug	5.400
GASKET - Camshaft cover	0.386
GASKET - Carburettor air horn	3.765
GASKET - Carburettor aid idle valve	3.766
GASKET - Carburettor flange	3.726
GASKET - Carburettor float needle valve seat ..	3.772
GASKET - Carburettor main body	3.749
GASKET - Carburettor metering jet plug	3.756
GASKET - Carburettor pump & power by-pass jet ..	3.757
GASKET - Carburettor pump nozzle	3.758
GASKET - Carburettor thermostat cover	3.796
GASKET - Carburettor throttle body	3.749
GASKET - Clutch gear bearing retainer	4.358
GASKET - Crankcase front end cover	0.207
GASKET - Cylinder head	0.289
GASKET - Cylinder head side cover	0.269
GASKET - Cylinder head water outlet	1.154
GASKET - Deck lid lock cylinder	12.248
GASKET - Distributor	2.362
GASKET - Door lock cylinder	10.550
GASKET - Door lock remote control	10.516
GASKET - Fuel pump bowl	3.904
GASKET - Fuel pump flange	3.932
GASKET - Fuel pump valve & cage	3.913
GASKET - Gearshift support	4.011
GASKET - Inlet to exhaust manifold	3.272
GASKET - Manifold	3.270
GASKET - Manifold water inlet	3.261
GASKET - Oil filter	1.837
GASKET - Oil pan	1.429
GASKET - Oil pan drain screw	1.453
GASKET - Oil pressure regulator spring plug	1.611
GASKET - Oil pressure regulator valve cap	1.609
GASKET - Oil pump cover	1.724
GASKET - Oil pump to block	1.654
GASKET - Pressure relief valve	12.942
GASKET - Starter motor solenoid switch	2.102
GASKET - Steering gear pinion cover plate	6.809
GASKET - Tail, stop & turn signal lamp	2.684
GASKET - Thermostat housing	1.252
GASKET - Transmission cover	4.109
GASKET - Transmission drain screw	4.195
GASKET - Transmission governor	4.256
GASKET - Transmission oil pan	4.196
GASKET - Transmission oil pump	4.226
GASKET - Transmission oil pump screen	4.223
GASKET - Transmission plug	4.103
GASKET - Transmission rear extension housing..	4.318
GASKET - Transmission servo cover	4.212
GASKET - Transmission solenoid detent	4.265
GASKET - Transmission transfer plate	4.265
GASKET - Transmission vacuum modulator	4.265
GASKET - Transmission to clutch housing	4.004
GASKET - Turn signal lamp	2.590
GASKET - Valve push rod cover	0.443
GASKET - Valve rocker cover	0.423
GASKET - Water pump to block	1.079
GASKET - Windshield wiper motor	10.150
GASKET KIT - Carburettor	3.724
GASKET KIT - Transmission	4.005
GASKET SET - Engine	0.010
GATE - Gearshift control	4.016

TORANA "LX" PARTS CATALOGUE

GAUGE - Fuel, dash	2.515	HANDLE - Rear tonneau floor	12.581
GAUGE - Fuel tank unit	3.107	HARNES - Air conditioner wiring	9.090
GAUGE - Voltmeter & oil pressure	2.515	HARNES - Body wiring	13.090
GEAR - Camshaft	0.736	HARNES - Engine	2.555
GEAR - Clutch	4.351	HARNES - Instrument	2.555
GEAR - Counter	4.421	HARNES - Lighting	2.555
GEAR - Crankshaft	0.728	HARNES - Main wiring	2.555
GEAR - Distributor	2.374	HARNES - Neutral starting switch	4.055
GEAR - Flywheel ring	0.673	HARNES - Trailer wiring	9.644
GEAR - Input sun	4.177	HEAD - Cylinder	0.269
GEAR - Mainshaft first speed	4.418	HEADLINING	14.640
GEAR - Mainshaft reverse	4.418	HINGE - Console	15.288
GEAR - Mainshaft second speed	4.395	HINGE - Deck lid	12.184
GEAR - Mainshaft third speed	4.415	HINGE - Front door lower	10.454
GEAR - Oil pump	1.659	HINGE - Front door upper	10.450
GEAR - Oil pump drive	1.643	HINGE - Hood	8.015
GEAR - Reverse idler	4.430	HINGE - Instrument panel compartment door	10.262
GEAR - Speedometer drive	4.337	HINGE - Rear door lower	10.460
GEAR - Speedometer driven	4.337	HINGE - Rear door upper	10.456
GEAR - Steering	6.508	HINGE - Rear seat back	11.630
GEAR - Transmission ring	4.187	HOLDER - Generator brush	2.291
GEAR - Windshield wiper motor	10.150	HOLDER - Starter motor brush	2.052
GEAR & DRUM - Reaction sun	4.177	HOOK - Coat	14.651
GEAR SET - Differential	5.527	HOOK - Seat belt stowage	14.799
GEAR SET - Transmission	4.177	HORN	2.810
GENERATOR	2.275	HOSE - Air cleaner thermal vacuum valve	3.415
GLASS - Front door	10.681	HOSE - Air conditioner	9.220
GLASS - Rear door fixed	10.827	HOSE - Air conditioner motor	9.215
GLASS - Rear door window sliding	10.741	HOSE - Air conditioner vacuum	9.281
GLASS - Rear quarter window	11.011	HOSE - Automatic choke heat	3.720
GLASS - Rear window	11.204	HOSE - Brake	4.680
GLASS - Windshield	10.027	HOSE - Brake vacuum servo	4.931
GOVERNOR - Transmission	4.256	HOSE - Carburettor choke kick vacuum	3.799
GRILLE - Radiator	1.266	HOSE - Crankcase ventilator	1.762
GRILLE - Rear quarter trim	15.100	HOSE - Deck lid lock remote control	12.243
GRILLE - Shroud ventilator	10.307	HOSE - Fuel canister to engine	3.120
GRIP - Roof hand rail	15.390	HOSE - Fuel line	3.163
GROMMET - Body wiring harness	13.092	HOSE - Fuel tank vent	3.003
GROMMET - Brake vacuum servo booster	4.904	HOSE - Heater	9.779
GROMMET - Choke control to dash panel	3.521	HOSE - Inlet manifold water	3.260
GROMMET - Clutch cable to fork	0.787	HOSE - Radiator	1.159
GROMMET - Gearshift lever	4.008	HOSE - Spark control	2.424
GROMMET - Hood lock control	8.076	HOSE - Stove to air cleaner	3.417
GROMMET - Shock absorber air tube	7.347	HOSE - Windshield washer	10.155
GROMMET - Starter motor cable outlet	2.101	HOSE HARNES - Canister to engine	3.120
GROMMET - Throttle cable insulator	3.430	HOUSING - Air conditioner evaporator	9.169
GROMMET - Turn signal lamp	2.586	HOUSING - Carburettor vacuum	3.766
GROMMET - Valve cover to block vent	1.745	HOUSING - Clutch	0.683
GROMMET - Windshield wiper motor	10.152	HOUSING - Console	15.290
GUARD - Bumper bar	7.828	HOUSING - Converter	0.683
GUARD - Engine compartment splash	8.112	HOUSING - Heater blower duct	9.779
GUARD - Fuel tank stone	3.001	HOUSING - Heater outlet	9.779
GUARD - Headlamp stone	9.632	HOUSING - Rear axle	5.387
GUIDE - Gearshift lever detent	4.012	HOUSING - Starter motor drive	2.085
GUIDE - Oil level rod	1.516	HOUSING - Steering gear rack	6.803
GUIDE - Parking brake cable	4.829	HOUSING - Steering tie rod ball	6.235
GUIDE - Roller chain rail	0.724	HOUSING - Thermostat	1.251
GUIDE - Speedometer driven gear	4.338	HOUSING - Transmission rear	4.317
GUTTER - Roof drip	12.811	HOUSING - Windshield wiper motor	10.150
H		HOUSING & DIAL ASSY. - Gearshift indicator...	4.038
HANDLE - Door lock remote	10.512	HUB - Front wheel	6.307
HANDLE - Door outside	10.527	HUB - Water pump	1.063
HANDLE - Door pull	9.640	I	
HANDLE - Door window regulator	10.797	IMPELLER - Air conditioner motor	9.215
HANDLE - Front seat adjuster	11.588	IMPELLER - Heater blower	9.779
HANDLE - Gearshift control	4.009	INDICATOR - Engine oil level	1.516

TORANA "LX" PARTS CATALOGUE

INDICATOR - Transmission oil level	4.133
INHIBITOR - Radiator	8.800
INLET - Air conditioner air	9.211
INLET - Heater air	9.779
INLET - Manifold water	3.260
INSERT - Brake main cylinder tube	4.652
INSERT - Carburettor main body	3.762
INSERT - Gearshift pattern	15.293
INSERT - Rear window glass channel	11.208
INSERT - Windshield glass channel	10.093
INSTRUMENT - Combined	2.515
INSULATOR - Air conditioner water valve	9.275
INSULATOR - Automatic choke heat pipe	3.720
INSULATOR - Carburettor flange	3.726
INSULATOR - Clutch cable to dash	0.787
INSULATOR - Clutch strut	0.852
INSULATOR - Dash	15.280
INSULATOR - Engine rear mounting support	12.982
INSULATOR - Front seat back	14.802
INSULATOR - Front spring	6.364
INSULATOR - Front stabilizer shaft	7.242
INSULATOR - Gearshift control lever	4.015
INSULATOR - Gearshift control rod	4.040
INSULATOR - Gearshift 1st & reverse shift	4.020
INSULATOR - Gearshift 2nd & 3rd shift	4.019
INSULATOR - Generator positive terminal	2.289
INSULATOR - Muffler support	3.704
INSULATOR - Rear spring	7.545
INSULATOR - Starter motor field coil	2.049
INSULATOR - Steering column	6.758
INSULATOR - Steering gear to crossmember	6.509
INSULATOR - Transmission shifter rod	4.035

J

JACK - Lifting	8.820
JACKET - Steering column	6.518
JET - Carburettor air correction	3.752
JET - Carburettor enrichment	3.757
JET - Carburettor idle	3.752
JET - Carburettor main discharge	3.754
JET - Carburettor metering	3.754
JET - Carburettor pass-over	3.752
JET - Carburettor power by-pass	3.757
JET - Carburettor pump by-pass	3.757

K

KEY - Brake booster plunger locking	4.907
KEY - Camshaft gear	0.736
KEY - Crankshaft gear	0.728
KEY - Crankshaft pulley	0.659
KEY - Reverse idler shaft	4.433
KEY - Transmission synchronizer	4.384
KEY - Valve stem	0.310
KIT - Brake booster repair	4.902
KIT - Brake caliper repair	4.667
KIT - Brake main cylinder repair	4.649
KIT - Brake wheel cylinder repair	4.665
KIT - Carburettor repair	3.725
KIT - Fuel pump repair	3.901
KIT - Starter motor shift repair	2.108
KIT - Timing parts	0.732
KIT - Transmission gasket	4.005
KIT - Transmission repair	4.003
KIT - Transmission seal	4.005
KIT - Transmission seal ring	4.127
KIT - Water pump repair	1.071
KNOB - Clock re-set	2.515

KNOB - Door inside locking rod	10.559
KNOB - Gearshift control	4.009
KNOB - Heater control	9.779
KNOB - Parking brake release rod	4.592
KNOB - Turn signal lamp switch	2.897
KNOB - Windshield wiper switch	10.163
KNUCKLE - Steering	6.020

L

LACE - Door finish	15.520
LACE - Headlining trim rear	14.650
LACING - Hood ledge	8.010
LAMP - Instrument panel compartment	10.270
LAMP - Rear licence plate	2.700
LAMP - Tail, stop & turn signal	2.679
LAMP PACKAGE - Auxiliary driving	9.648
LAMP PACKAGE - Rear compartment	11.960
LEAD - Air conditioner compressor earth	9.170
LEAD - Air conditioner motor	9.215
LEAD - Air conditioner wiring	9.276
LEAD - Back-up lamp switch	2.697
LEAD - Clock	2.515
LEAD - Dome lamp	11.925
LEAD - Front door jamb switch	11.950
LEAD - Heated rear window	9.778
LEAD - Horn	2.810
LEAD - Horn bar earth	2.830
LEAD - Instrument panel compartment lamp	10.270
LEAD - Rear compartment lamp	11.960
LEAD - Stop lamp	13.090
LEAD - Tachometer	2.520
LEAD - Windshield washer pump	10.153
LENS - Dome lamp	11.928
LENS - Rear licence plate lamp	2.709
LENS - Tail, stop & turn signal lamp	2.682
LENS - Turn signal lamp	2.589
LETTER - Deck lid	12.182
LETTER - Front end panel	1.265
LEVER - Air conditioner control	9.278
LEVER - Air conditioner door	9.280
LEVER - Booster relay	4.628
LEVER - Brake adjuster	5.103
LEVER - Carburettor choke	3.791
LEVER - Carburettor fast idle	3.792
LEVER - Carburettor fast idle cam	3.735
LEVER - Carburettor pump	3.780
LEVER - Carburettor thermostat	3.797
LEVER - Carburettor throttle	3.731
LEVER - Clutch relay	0.852
LEVER - Door hinge detent	10.466
LEVER - Gearshift control	4.006
LEVER - Gearshift control external	4.041
LEVER - Gearshift control lower	4.040
LEVER - Gearshift 1st & reverse shift	4.020
LEVER - Gearshift 2nd & 3rd shift	4.019
LEVER - Parking brake	5.149
LEVER - Reverse shift internal	4.316
LEVER - Starter motor shift	2.108
LEVER - Throttle cable	3.731
LEVER - Transmission control	4.030
LEVER - Transmission shift shaft actuating	4.309
LEVER - Transmission 1st & reverse shift ext. ..	4.050
LEVER - Trans. parking lock & range selector	4.279
LEVER - Transmission 2nd & 3rd shift ext.	4.046
LEVER - Transmission shifter shaft	4.045
LEVER - Turn signal lamp switch	2.897
LEVER & Pivot - Accelerator pedal	3.430

TORANA "LX" PARTS CATALOGUE

LID - Console	15.292
LID - Deck	12.181
LID - Instrument panel compartment	10.261
LIFTER - Hydraulic valve	0.459
LIGHTER - Cigarette	9.709
LINK - Air conditioner control	9.280
LINK - Brake adjuster	5.105
LINK - Brake wheel cylinder connecting	4.675
LINK - Door hinge detent	10.466
LINK - Engine harness fusible	2.555
LINK - Fuel pump	3.931
LINK - Transmission manual valve	4.265
LINK - Windshield wiper	10.159
LOCATOR - Camshaft	0.533
LOCK - Deck lid	12.242
LOCK - Differential side bearing adj. nut	5.539
LOCK - Ignition	2.188
LOCK - Instrument panel compartment door	10.266
LOCK - Rear seat back	11.634
LOCK RELEASE PKG. - Deck lid, remote control	12.243
LOCK & SEAL - Front door	10.470
LOCK & SEAL - Rear door	10.473

M

MAGNET - Transmission case	4.103
MANIFOLD - Exhaust	3.601
MANIFOLD - Inlet	3.265
MANUAL - Owner	8.823
MANUAL - Workshop	8.823
MASK - Combined instrument	2.515
MAT - Front floor	15.286
MAT - Luggage compartment floor	15.294
MAT - Rear floor	15.306
MEMBER - Frame side	12.980
MEMBER - Front suspension	6.008
MEMBER - Underbody side	12.982
MIRROR - Rear vision	10.185
MIRROR - Vanity	10.222
MODULATOR - Transmission vacuum	4.265
MOTOR - Air conditioner blower	9.215
MOTOR - Heater	9.779
MOTOR - Starter	2.041
MOTOR - Windshield wiper	10.150
MOULDING - Front door	12.112
MOULDING - Front fender side	8.132
MOULDING - Generator brush box	2.291
MOULDING - Grille	1.266
MOULDING - Rear door	12.114
MOULDING - Rear quarter	12.116
MOULDING - Roof side reveal	12.075
MOULDING - Tail lamp reveal	12.116
MOULDING PACKAGE - Body side	8.132
MOUNTING - Engine	0.027
MOUNTING - Front suspension	6.008
MOUNTING - Gearshift control	4.010
MOUNTING - Rear shock absorber	12.984
MOUNTING - Transmission support	4.081
MUFFLER	3.701

N

NOZZLE - Carburettor pump	3.758
NOZZLE - Heater outlet	9.779
NOZZLE - Timing gear oil	0.748
NOZZLE - Windshield washer	10.156
NUT - Air cleaner wing	3.410
NUT - Air conditioner impeller	9.215
NIPPLE - Coil lead insulating	2.258

NUT - Battery mounting wing	2.333
NUT - Brake adjusting screw	5.111
NUT - Brake Pedal Pivot	4.636
NUT - Carburettor fast idle lever	3.792
NUT - Carrurettor pump lever	3.781
NUT - Carburettor thermostat lever	3.797
NUT - Clutch fork adjusting	0.839
NUT - Clutch fork ball	0.796
NUT - Clutch gear bearing retainer	4.357
NUT - Clutch pedal retainer	0.837
NUT - Connecting rod bolt	0.626
NUT - Differential pinion flange	5.545
NUT - Differential side bearing adjusting	5.537
NUT - Exhaust pipe to manifold	3.275
NUT - Front fender	8.143
NUT - Front stabilizer shaft mounting	7.242
NUT - Gearshift knob	4.009
NUT - Gearshift lever boot	4.015
NUT - Generator rotor	2.280
NUT - Generator stator terminal	2.310
NUT - Headlamp adjusting	2.729
NUT - Headlamp rim	2.728
NUT - Heater impeller	9.779
NUT - Mat & Carpet retainer	15.286
NUT - Rear suspension control arm bolt	5.382
NUT - Shock absorber mounting	7.370
NUT - Spare wheel retaining	7.633
NUT - Starter motor shift lever	2.108
NUT - Starter motor shift pivot pin	2.108
NUT - Starter motor solenoid contact bolt	2.102
NUT - Starter motor solenoid switch	2.100
NUT - Starter motor support	2.041
NUT - Steering tie rod	6.234
NUT - Stop light switch	2.447
NUT - Wheel hub bolt	5.813
NUT - Windshield wiper switch	10.163

O

"O" RING - Air conditioner tube	9.220
"O" RING - Gearshift lever boot	4.015
"O" RING - Speedometer driven gear	4.338
"O" RING - Timing chain tensioner housing	0.726
"O" RING - Transmission oil tube	4.133
OPFLEEN	8.800
ORNAMENT - Hood	8.055
OUTLET - Cylinder head water	1.153

P

PACKING - Exhaust pipe	3.611
PACKING - Oil pan seal	1.429
PAD - Brake pedal	4.625
PAD - Clutch pedal	0.830
PAD - Console arm rest	15.288
PAD - Front door garnish	14.691
PAD - Front seat back	14.802
PAD - Front seat cushion	14.890
PAD - Front seat head restraint	14.925
PAD - Instrument panel	14.655
PAD - Parking brake pedal	4.591
PAD - Rear door garnish	14.764
PAD - Rear quarter upper	15.103
PAD - Rear seat back	15.002
PAD - Rear seat cushion	15.036
PAD - Rear vision mirror mounting	10.187
PAD - Windshield wiper armature thrust	10.150
PAD SET - Brake	5.018
PAN - Engine oil	1.426

TORANA "LX" PARTS CATALOGUE

PAN - Front floor	12.972	PIPE - Automatic choke heat air inlet	3.720
PAN - Rear floor	12.981	PIPE - Brake	4.685
PAN - Transmission oil	4.195	PIPE - Carburettor fuel	3.201
PANEL - Body side frame	12.805	PIPE - Clutch main cylinder	0.929
PANEL - Centre pillar	12.491	PIPE - Exhaust	3.609
PANEL - Cowl top	12.805	PIPE - Fuel	3.158
PANEL - Dash	12.804	PIPE - Fuel separator to canister	3.120
PANEL - Front door	12.895	PIPE - Fuel tank filler	3.003
PANEL - Front end	1.266	PIPE - Fuel tank to separator	3.120
PANEL - Front fender skirt	8.153	PIPE - Fuel tank vent	3.003
PANEL - Front seat back rear	14.803	PIPE - Radiator overflow	1.219
PANEL - Fuse	2.481	PIPE - Transmission vacuum modulator	4.205
PANEL - Hood	8.000	PIPE - Spark control	2.424
PANEL - Instrument	10.230	PIPE - Tail	3.705
PANEL - Instrument panel ash tray mounting ...	12.010	PIPE - Transmission oil cooler	4.128
PANEL - Plenum chamber	12.803	PIPE & SCREEN ASSEMBLY - Oil pump	1.656
PANEL - Radiator support	1.270	PISTON - Brake caliper	4.668
PANEL - Rear body lock pillar	12.942	PISTON - Brake main cylinder	4.653
PANEL - Rear compartment front	12.971	PISTON - Brake wheel cylinder	4.668
PANEL - Rear door	12.913	PISTON - Carburettor vacuum power	3.788
PANEL - Rear end	12.966	PISTON - Clutch actuating cylinder	0.936
PANEL - Rear quarter inner	12.941	PISTON - Clutch main cylinder	0.910
PANEL - Rear quarter outer	12.940	PISTON - Transmission accumulator	4.228
PANEL - Rocker	12.934	PISTON - Transmission clutch	4.166
PANEL - Roof	12.810	PISTON - Transmission servo	4.228
PANEL - Wheelhouse outer	12.944	PISTON & PIN	0.629
PAWL - Door lock cylinder	10.550	PIVOT - Valve rocker arm	0.429
PAWL - Transmission parking lock	4.294	PIVOT - Windshield wiper	10.159
PEDAL - Accelerator	3.451	PLACARD - Tyre	8.823
PEDAL - Brake	4.625	PLATE - Air conditioner evaporator	9.169
PEDAL - Clutch	0.830	PLATE - Battery mounting retainer lock	2.333
PEDAL - Parking brake	4.591	PLATE - Booster relay lever	4.628
PILLAR - Front body outer	12.805	PLATE - Brake adjuster lever pivot	5.103
PIN - Booster push rod clevis	4.662	PLATE - Brake backing	5.001
PIN - Brake anchor	5.055	PLATE - Brake backing plate mounting lock	5.002
PIN - Brake main cylinder rod clevis	4.662	PLATE - Brake booster pressure	4.906
PIN - Brake shoe hold down	5.041	PLATE - Brake shoe guide	5.045
PIN - Camshaft gear	0.730	PLATE - Clutch	0.886
PIN - Camshaft sprocket	0.736	PLATE - Clutch fork guide	0.797
PIN - Carburettor fast idle cam	3.736	PLATE - Clutch fork sliding	0.797
PIN - Carburettor float fulcrum	3.775	PLATE - Clutch strut insulator	0.852
PIN - Clutch brace to strut	0.852	PLATE - Deck lid name	12.182
PIN - Clutch housing dowel	0.683	PLATE - Differential pinion flange lock	5.546
PIN - Clutch relay lever pivot	0.852	PLATE - Differential pre-load spring	5.511
PIN - Crankcase front cover	0.206	PLATE - Distributor breaker	2.385
PIN - Deck lid hinge	12.186	PLATE - Door lock striker anchor	10.571
PIN - Differential pinion shaft lock	5.518	PLATF - Door paint protection	9.658
PIN - Distributor gear	2.379	PLATE - Door window regulator handle	10.797
PIN - Door hinge	10.466	PLATE - Engine size name	12.182
PIN - Door window regulator lifter	10.791	PLATE - Front door moulding	12.112
PIN - Dowel	0.033	PLATE - Front door scuff	11.175
PIN - Fuel pump rocker arm	3.921	PLATE - Front fender name	8.132
PIN - Fuel tank filler door	12.966	PLATE - Front stabilizer shaft mounting	7.242
PIN - Gearshift control tube	4.007	PLATE - Fuel pump diameter pulsator cover	3.926
PIN - Hood safety catch	8.036	PLATE - Generator drive	2.287
PIN - Parking brake lever	5.158	PLATE - Generator drive end	2.305
PIN - Piston	0.636	PLATE - Generator drive end bearing retaining ...	2.307
PIN - Starter motor shift pivot	2.108	PLATE - Generator field terminal	2.289
PIN - Steering shaft coupling cotter	6.524	PLATE - Generator slip ring end	2.297
PIN - Transmission accumulator piston	4.233	PLATE - Ignition timing	0.666
PIN - Transmission brake band	4.251	PLATE - Planet pinion shaft	4.177
PIN - Transmission control selector	4.016	PLATE - Radiator name	1.265
PIN - Transmission control valve	4.265	PLATE - Rear door scuff	11.179
PIN - Transmission detent cam	4.311	PLATE - Rear vision mirror support mounting	10.187
PIN - Transmission pressure regulator valve ...	4.226	PLATE - Reverse gear anti-lash	4.419
PINION - Steering gear	6.524	PLATE - Shock absorber mounting	7.370
PINION - Transmission planet	4.177	PLATE - Starter motor brush holder	2.052

TORANA "LX" PARTS CATALOGUE

PLATE - Starter motor pinion thrust	2.087
PLATE - Steering gear housing pinion cover	6.807
PLATE - Transmission clutch	4.163
PLATE - Transmission control cover	4.038
PLATE - Transmission control indicator lamp	4.038
PLATE - Transmission oil pump wear	4.226
PLATE - Transmission transfer	4.265
PLATE - Windshield wiper motor cover	10.150
PLUG - Axle housing	5.400
PLUG - Brake main cylinder	4.652
PLUG - Camshaft rear bearing	0.553
PLUG - Carburettor	3.767
PLUG - Carburettor main metering jet	3.755
PLUG - Carburettor pump check valve	3.784
PLUG - Choke control hole	9.743
PLUG - Cylinder block	0.033
PLUG - Cylinder block oil gallery	1.928
PLUG - Cylinder head	0.269
PLUG - Door weatherstrip	10.695
PLUG - Fuel pump rocker arm	3.921
PLUG - Manifold, inlet	3.265
PLUG - Oil level rod	1.516
PLUG - Oil pan drain	1.453
PLUG - Oil pressure regulator spring	1.611
PLUG - Oil pump cover	1.723
PLUG - Spark	2.270
PLUG - Transmission	4.103
PLUG - Transmission control valve	4.265
PLUNGER - Cigarette lighter	9.709
PLUNGER - Front door jamb switch	11.950
PLUNGER - Gearshift lever	4.006
PLUNGER - Hood lock	8.085
PLUNGER - Parking brake warning lamp switch	4.610
PLUNGER - Rear compartment lamp switch	11.960
PLUNGER - Transmission vacuum modulator	4.265
POINTER - Transmission control indicator	4.038
PROTECTOR - Brake main cylinder piston	4.654
PROTECTOR - Brake pipe	4.685
PROTECTOR - Fuel tank filler pipe	3.003
PULLEY - Crankshaft	0.659
PULLEY - Generator	2.274
PULLEY - Water pump	1.062
PULSATOR - Fuel pump diaphragm	3.926
PUMP - Fuel	3.900
PUMP - Oil	1.652
PUMP - Water	1.069
PUMP - Windshield washer	10.153

R

RACE - Transmission input sprag	4.158
RACK - Steering gear	6.525
RACK & ROD - Ignition switch actuator	2.195
RADIATOR	1.219
RADIO	9.662
RAIL - Roller chain slide	0.726
RAIL - Roof	12.956
RECEIVER & DEHYDRATOR - Air conditioner	9.195
RECLINER - Front seat	11.388
RECTIFIER - Generator	2.289
REGULATOR - Combined instrument voltage	2.515
REGULATOR - Front door window	10.783
REGULATOR - Rear door window	10.791
REGULATOR - Voltage & current	2.500
REINFORCEMENT - Body side frame	12.805
REINFORCEMENT - Rear body lock pillar	12.942
REINFORCEMENT - Rear compartment lid opening	12.971
REINFORCEMENT - Tail pipe support insulator ..	3.710

REINFORCEMENT - Transmission support mtg. ..	4.081
REINFORCEMENT - Transmission transfer plate..	4.265
REINFORCEMENT - Valve rocker cover	0.413
RELAY - Air conditioner	9.275
RELAY - Horn	2.815
REPAIR KIT - Brake booster	4.902
REPAIR KIT - Brake caliper guide	4.665
REPAIR KIT - Brake main cylinder	4.649
REPAIR KIT - Brake wheel cylinder	4.665
REPAIR KIT - Carburettor	3.725
REPAIR KIT - Clutch master cylinder	0.902
REPAIR KIT - Fuel pump	3.901
REPAIR KIT - Starter motor shift	2.108
REPAIR KIT - Transmission	4.003
REPAIR KIT - Universal joint	5.548
REPAIR KIT - Water pump ..	1.071
RESERVOIR - Clutch main cylinder	0.906
RESERVOIR - Wind shield washer	10.154
RESISTOR - Air conditioner	9.275
RESONATOR	3.701
RETAINER - Air cleaner breather	3.410
RETAINER - Air cleaner pre-heat diaphragm	3.415
RETAINER - Battery mounting	2.333
RETAINER - Booster relay push rod	4.658
RETAINER - Brake main cylinder piston spring ..	4.655
RETAINER - Clutch gear bearing	4.356
RETAINER - Clutch relay lever pin	0.852
RETAINER - Console lid	15.292
RETAINER - Deck lid lock cylinder	12.248
RETAINER - Distributor	2.414
RETAINER - Distributor plate ball	2.385
RETAINER - Door glass run channel	10.701
RETAINER - Door lock cylinder	10.553
RETAINER - Door lock striker anchor plate	10.571
RETAINER - Front seat cover	14.860
RETAINER - Front stabilizer bushing	7.243
RETAINER - Gearshift control rod	4.040
RETAINER - Gearshift control shaft	4.030
RETAINER - Gearshift 1st & reverse shift	4.020
RETAINER - Gearshift lever boot	4.015
RETAINER - Gearshift 2nd & 3rd shift	4.019
RETAINER - Hood catch spring	8.085
RETAINER - Inlet manifold gasket	3.270
RETAINER - Rear axle bearing	5.816
RETAINER - Rear door moulding	12.114
RETAINER - Rear seat back	11.634
RETAINER - Rear seat cushion	11.611
RETAINER - Spare wheel mounting bolt	7.632
RETAINER - Spark plug wire	2.251
RETAINER - Speedometer cable	4.342
RETAINER - Steering shaft upper bearing	6.521
RETAINER - Throttle cable	3.430
RETAINER - Trans. control indicator bulb	4.038
RETAINER - Transmission servo piston	4.233
RETAINER - Upper control arm bushing	6.164
RIM - Headlamp	2.728
RING - Brake main cylinder lock	4.656
RING - Camshaft gear spacing	0.738
RING - Carburettor thermostat cover retaining ..	3.796
RING - Clutch gear bearing	4.376
RING - Clutch main cylinder lock	0.914
RING - Counter gear lock	4.423
RING - Distributor cam spacer	2.381
RING - Headlamp mounting	2.726
RING - Headlamp retaining	2.731
RING - Main shaft rear bearing	4.412
RING - Rear axle bearing retainer	5.816

TORANA "LX" PARTS CATALOGUE

RING - Starter motor collar retaining	2.096	SCREEN - Transmission governor valve	4.256
RING - Starter motor pinion lock	2.087	SCREEN - Transmission oil pump	4.224
RING - Steering shaft upper	6.521	SCREW - Brake adjusting	5.110
RING - Transmission accumulator piston	4.127	SCREW - Brake hose bracket	4.681
RING - Transmission accumulator piston ret.	4.128	SCREW - Brake main cylinder piston	4.656
RING - Transmission clutch piston retaining	4.128	SCREW - Brake main cylinder piston stop	4.653
RING - Transmission clutch retaining	4.128	SCREW - Camshaft stop	0.736
RING - Transmission detent cam	4.311	SCREW - Carburettor air horn	3.763
RING - Transmission governor hub	4.127	SCREW - Carburettor air idle valve	3.766
RING - Transmission governor retaining	4.128	SCREW - Carburettor choke kick diaphragm	3.799
RING - Transmission ring gear retaining	4.128	SCREW - Carburettor choke valve	3.789
RING - Transmission second clutch	4.127	SCREW - Carburettor fast idle	3.737
RING - Transmission servo piston	4.127	SCREW - Carburettor main body	3.748
RING - Transmission servo piston retaining	4.128	SCREW - Carburettor pump nozzle	3.759
RING - Transmission synchronizer	4.383	SCREW - Carburettor slow idle adjusting	3.734
RING - Transmission synchronizer snap	4.382	SCREW - Carburettor throttle valve	3.729
RING - Universal joint bearing	5.586	SCREW - Clutch cover to housing	0.679
RING - Wheel trim	5.871	SCREW - Distributor breaker plate support	2.385
RING GEAR & PINION - Differential	5.529	SCREW - Distributor condenser	2.393
RING KIT - Transmission seal	4.127	SCREW - Distributor contact breaker	2.387
RING SET - Piston	0.643	SCREW - Front fender	8.143
RIVET - Brake lining	5.019	SCREW - Fuel pump cover	3.910
RIVET - Clutch fork ball	0.796	SCREW - Fuel pump mounting	3.900
RIVET - Door hinge detent lever	10.466	SCREW - Gearshift control rod	4.040
ROD - Air cleaner	3.403	SCREW - Gearshift 1st & reverse shift	4.020
ROD - Booster relay push	4.658	SCREW - Gearshift 2nd & 3rd shift	4.019
ROD - Brake booster push	4.907	SCREW - Generator brush holder mounting	2.291
ROD - Brake main cylinder push	4.658	SCREW - Headlamp adjusting	2.737
ROD - Carburettor choke	3.798	SCREW - Headlamp rim	2.728
ROD - Carburettor choke kick diaphragm	3.799	SCREW - Horn contact adjusting	2.819
ROD - Carburettor fast idle	3.793	SCREW - Instrument panel pad	14.655
ROD - Carburettor float chamber ventilator valve	3.764	SCREW - Planet pinion shaft	4.177
ROD - Carburettor metering	3.806	SCREW - Rear vision mirror	10.185
ROD - Carburettor pump	3.782	SCREW - Starter motor armature bearing cap	2.063
ROD - Carburettor volume restrictor	3.753	SCREW - Starter motor brush holder	2.052
ROD - Clutch fork push	0.839	SCREW - Starter motor pole shoe	2.077
ROD - Clutch main cylinder push	0.918	SCREW - Starter motor shift pivot	2.108
ROD - Clutch pull	0.839	SCREW - Starter motor solenoid cover	2.102
ROD - Connecting	0.603	SCREW - Starter motor solenoid switch	2.100
ROD - Deck lid hinge torque	12.187	SCREW - Tail, stop & turn signal lamp lens	2.682
ROD - Door control connecting	10.556	SCREW - Transmission governor body	4.256
ROD - Door inside locking	10.563	SCREW - Transmission oil pan	4.195
ROD - Door lock cylinder connector	10.507	SCREW - Turn signal lamp	2.589
ROD - Door lock remote control	10.506	SCREW - Voltage & current regulator	2.500
ROD - Door outside handle	10.529	SCREW - Windshield wiper motor	10.150
ROD - Gearshift control	4.040	SEAL - Air conditioner air inlet	9.211
ROD - Gearshift 1st & reverse shift	4.020	SEAL - Air conditioner evaporator	9.169
ROD - Gearshift 2nd & 3rd shift	4.019	SEAL - Air conditioner resistor	9.275
ROD - Lighting switch control	2.486	SEAL - Body side rear	12.948
ROD - Parking brake pedal release	4.594	SEAL - Brake booster push rod	4.907
ROD - Steering tie	6.230	SEAL - Brake booster shell	4.908
ROD - Transmission servo piston	4.230	SEAL - Brake main cylinder piston	4.654
ROD - Transmission shifter	4.035	SEAL - Carburettor vacuum housing	3.766
ROD - Valve push	0.426	SEAL - Clutch actuating cylinder	0.935
ROLLER - Door hinge detent	10.466	SEAL - Clutch gear oil	4.354
ROLLER - Door window regulator	10.791	SEAL - Clutch main cylinder push rod	0.924
ROLLER & SPRING - Transmission manual detent	4.279	SEAL - Converter housing	0.683
ROTATOR - Exhaust valve	0.309	SEAL - Crankcase front end cover oil	0.209
ROTOR - Distributor	2.382	SEAL - Crankshaft rear bearing oil	0.137
ROTOR - Generator	2.279	SEAL - Front door inner panel	14.694
ROTOR - Water pump	1.109	SEAL - Front door lock	10.470
S		SEAL - Front fender	8.154
SCREEN - Carburettor pump strainer	3.787	SEAL - Front wheel bearing	6.326
SCREEN - Engine oil pump	1.656	SEAL - Fuel gauge tank unit	3.112
SCREEN - Fuel pump	3.929	SEAL - Fuel pump cover	3.910
SCREEN - Radiator insect	9.665	SEAL - Fuel pump oil	3.902
		SEAL - Gearshift lever	4.015

TORANA "LX" PARTS CATALOGUE

SEAL - Heater air inlet	9.779	SHAFT - Transmission planet pinion	4.177
SEAL - Inlet manifold	3.270	SHAFT - Transmission shifter fork	4.309
SEAL - Oil level indicator tube	1.516	SHAFT - Upper control arm	6.164
SEAL - Oil pan	1.429	SHAFT & BEARING - Water pump	1.108
SEAL - Oil pressure regulator spring plug	1.661	SHAFT & Lever - Throttle control	3.430
SEAL - Parking lock & range selector oil	4.282	SHELF - Parcel	9.672
SEAL - Rear ash tray	12.050	SHIELD - Bumper bar stone	7.870
SEAL - Rear axle bearing oil	5.822	SHIELD - Carburettor to manifold	3.725
SEAL - Rear axle pinion oil	5.469	SHIELD - Distributor moisture	2.371
SEAL - Rear door inner panel	14.768	SHIELD - Valve stem	0.308
SEAL - Rear door lock	10.473	SHIM - Brake caliper piston	4.668
SEAL - Shroud ventilator grille	10.307	SHIM - Differential side gear thrust	5.543
SEAL - Speedometer cable	4.342	SHIM - Distributor thrust	2.372
SEAL - Starter motor to clutch housing	2.085	SHIM - Pinion bearing	5.460
SEAL - Steering gear housing pinion oil	6.809	SHIM - Rear stabilizer shaft	5.415
SEAL - Transmission clutch piston	4.166	SHIM - Starter motor pinion	2.087
SEAL - Transmission detent valve oil	4.279	SHIM - Steering gear pinion cover plate	6.809
SEAL - Transmission oil pump	4.226	SHIM - Upper control shaft	6.163
SEAL - Transmission rear extension housing ..	4.317	SHOCK ABSORBER - Front	7.345
SEAL - Transmission shifter shaft	4.309	SHOE & LINING - Brake	5.017
SEAL - Transmission vacuum mod. valve oil ...	4.265	SHROUD - Radiator fan	1.270
SEAL - Valve push rod cover bolt	0.449	SIGHT GLASS KIT - Air conditioner	9.202
SEAL - Valve stem	0.308	SILENCER - Plenum chamber	12.803
SEAL - Water pump	1.123	SINK - Generator heat	2.289
SEAL - Windshield wiper motor	10.152	SLEEVE - Brake booster relay lever	4.628
SEAL KIT - Ball joint	6.168	SLEEVE - Converter pilot	0.649
SEAL KIT - Brake caliper piston	4.667	SLEEVE - Front seat belt protector	14.798
SEAL KIT - Heater hose connection	1.251	SLEEVE - Gearshift control rod	4.040
SEAL KIT - Transmission	4.005	SLEEVE - Gearshift 1st & reverse shift	4.020
SEALED BEAM UNIT - Headlamp	2.727	SLEEVE - Gearshift 2nd & 3rd shift	4.019
SEALER	8.800	SLEEVE - Oil filter valve ball	1.837
SEAT - Front	14.796	SLEEVE - Pressure regulator boost valve	4.226
SEAT - Gearshift lever detent	4.012	SLEEVE - Reaction sun gear bearing	4.177
SEAT - Steering tie rod ball	6.235	SLEEVE - Rear seat belt protector	15.040
SEAT - Transmission clutch piston spring	4.165	SLEEVE - Transmission detent valve	4.279
SEAT - Transmission pressure regulator valve ..	4.226	SLEEVE - Transmission parking lock pawl	4.294
SEAT - Transmission rev. clutch piston spring..	4.189	SLEEVE - Transmission reverse detent	4.309
SEAT - Transmission shift control valve	4.265	SLEEVE - Transmission reverse lockout spring...	4.030
SEAT - Water pump seal	1.123	SLEEVE - Transmission shift control valve	4.265
SEAT PACKAGE - Child & infant safety	9.675	SLEEVE - Transmission vacuum mod. valve	4.265
SECTOR - Ignition switch actuator	2.195	SLEEVE - Vacuum modulator pipe	4.205
SENDER UNIT - Engine thermo	0.277	SLIDE - Transmission control indicator	4.038
SENDER UNIT - Oil pressure	1.803	SLINGER - Differential pinion	5.545
SEPARATOR - Front seat	15.290	SLIP RING - Generator rotor	2.279
SEPARATOR - Fuel vapour	3.120	SOCKET - Body wiring harness	13.090
SERVICE PACKAGE - Ignition lock	2.188	SOCKET - Brake adjusting screw	5.111
SHADE - Venetian	9.668	SOCKET - Rear licence plate lamp	2.700
SHAFT - Air conditioner control level	9.278	SOCKET - Steering tie rod ball	6.233
SHAFT - Booster relay lever	4.628	SOCKET & LEAD - Gearshift control indicator ...	4.038
SHAFT - Carburettor choke	3.791	SOLENOID - Transmission detent	4.265
SHAFT - Carburettor throttle	3.731	SOLENOID - Vacuum, deck lid lock	12.243
SHAFT - Clutch pedal pivot	0.837	SPACER - Air conditioner compressor	9.171
SHAFT - Counter gear	4.428	SPACER - Air conditioner condenser	9.190
SHAFT - Differential pinion	5.517	SPACER - Brake caliper guide	4.665
SHAFT - Distributor	2.372	SPACER - Brake pedal mounting	4.636
SHAFT - Front stabilizer	7.241	SPACER - Brake pedal pivot	4.626
SHAFT - Gearshift control lever	4.030	SPACER - Bumper bar mounting	7.836
SHAFT - Gearshift control lever	4.040	SPACER - Carburettor main body insulating	3.748
SHAFT - Ignition switch actuator sector	2.195	SPACER - Carburettor thermostat housing	3.796
SHAFT - Oil pump driven gear	1.658	SPACER - Clutch main cylinder mounting	0.903
SHAFT - Propeller	5.441	SPACER - Clutch relay pivot bush	0.852
SHAFT - Rear axle	5.420	SPACER - Counter shaft bearing	4.423
SHAFT - Rear stabilizer	5.415	SPACER - Engine rear mounting support	12.982
SHAFT - Reverse idler gear	4.433	SPACER - Fan blade	1.064
SHAFT - Steering	6.524	SPACER - Front door window anti-rattle	10.685
SHAFT - Transmission main	4.403	SPACER - Front seat belt	14.798
SHAFT - Transmission parking lock	4.294	SPACER - Gearshift control lever	4.019

TORANA "LX" PARTS CATALOGUE

SPACER – Gearshift support	4.018	SPRING – Hood catch lock plate	8.081
SPACER – Generator brace	2.317	SPRING – Hood hinge	8.013
SPACER – Pinion bearing	5.453	SPRING – Hood safety catch	8.036
SPACER – Planet pinion bearing	4.177	SPRING – Ignition switch actuator rack	2.195
SPACER – Rear seat back	15.002	SPRING – Oil filter valve ball	1.837
SPACER – Rear stabilizer shaft	5.415	SPRING – Oil pressure regulator	1.610
SPACER – Reverse idler gear	4.431	SPRING – Parking brake pawl	4.596
SPACER – Steering gear pinion upper	6.524	SPRING – Parking brake release rod retaining ...	4.606
SPACER – Steering gear to cross member	6.509	SPRING – Parking brake strut	5.151
SPACER – Transmission clutch plate	4.163	SPRING – Parking brake warning lamp switch ...	4.610
SPACER – Transmission support mounting	4.081	SPRING – Radio antenna switch	9.662
SPACER – Wheel	5.804	SPRING – Rear	7.503
SPEAKER – Radio	9.662	SPRING – Rear compartment lamp switch	11.960
SPEEDOMETER	2.515	SPRING – Rear seat back	11.629
SPOILER – Rear compartment lid	12.967	SPRING – Rear seat cushion	11.611
SPRAG – Transmission input	4.158	SPRING – Reverse gear anti-lash	4.419
SPRING – Accelerator pedal tension	3.459	SPRING – Reverse lock out	4.030
SPRING – Accelerator return	3.459	SPRING – Starter motor brush	2.053
SPRING – Air conditioner control detent	9.278	SPRING – Starter motor pinion engaging	2.087
SPRING – Brake adjuster	5.107	SPRING – Steering gear housing cover plate	6.807
SPRING – Brake adjusting nut	5.026	SPRING – Steering shaft upper	6.521
SPRING – Brake booster diaphragm return	4.908	SPRING – Steering tie rod ball	6.235
SPRING – Brake caliper guide	4.665	SPRING – Throttle lever return	3.731
SPRING – Brake main cylinder check valve	4.657	SPRING – Transmission accumulator piston	4.233
SPRING – Brake main cylinder piston	4.655	SPRING – Transmission clutch piston	4.164
SPRING – Brake pedal return	4.639	SPRING – Transmission detent cam	4.311
SPRING – Brake shoe hold down pin	5.043	SPRING – Transmission detent valve	4.279
SPRING – Brake shoe retractor	5.026	SPRING – Transmission governor valve	4.256
SPRING – Brake wheel cylinder cup	4.669	SPRING – Transmission oil pump	4.226
SPRING – Carburettor fast idle screw	3.737	SPRING – Transmission parking lock	4.295
SPRING – Carburettor float fulcrum pin	3.775	SPRING – Transmission regulator pressure valve	4.226
SPRING – Carburettor idle needle valve	3.742	SPRING – Transmission servo piston	4.233
SPRING – Carburettor idle vent stem	3.764	SPRING – Transmission shift control valve	4.265
SPRING – Carburettor metering rod	3.810	SPRING – Transmission synchronizer	4.383
SPRING – Carburettor pump stem	3.779	SPRING – Turn signal lamp cancel	2.895
SPRING – Carburettor slow idle adjusting screw	3.734	SPRING – Turn signal lamp detent	2.895
SPRING – Carburettor vacuum power piston	3.788	SPRING – Turn signal lamp socket	2.586
SPRING – Clutch actuating cylinder	0.938	SPRING – Valve	0.303
SPRING – Clutch fork ball	0.796	SPRING – Window regulator clutch	10.791
SPRING – Clutch fork return	0.844	SPRING & FRAME – Front seat	11.373
SPRING – Clutch fork sliding plate	0.798	SPRING & FRAME – Rear seat back	11.628
SPRING – Clutch main cylinder piston	0.913	SPRING & FRAME – Rear seat cushion	11.610
SPRING – Console lid	15.292	SPROCKET – Camshaft	0.736
SPRING – Differential pre-load	5.511	SPROCKET – Crankshaft	0.728
SPRING – Distributor cap retaining	2.368	STATOR – Generator	2.310
SPRING – Distributor weight	2.389	STEM – Carburettor idel vent	3.764
SPRING – Door hinge detent lever	10.466	STOP – Brake main cylinder primary piston	4.653
SPRING – Door lock over centre	10.475	STOP – Starter motor pinion	2.096
SPRING – Door window regulator handle	10.797	STOVE – Air pre-load	3.417
SPRING – Door window reg. handle escutcheon..	10.806	STRAINER – Fuel tank riser pipe	3.110
SPRING – Float chamber ventilator valve	3.764	STRAP – Fuel tank support	3.001
SPRING – Front	6.361	STRAP – Steering column jacket	6.518
SPRING – Front door jamb switch	11.950	STRAP – Throttle cable to radiator hose	3.430
SPRING – Front seat adjuster	11.581	STRAP – Windshield wiper motor earth	10.150
SPRING – Front seat cushion	11.420	STRAP & BRACKET KIT – Radiator	1.219
SPRING – Front seat remote control handle	11.581	STRIKER – Door lock	10.569
SPRING – Fuel pump diaphragm	3.927	STRIKER – Instrument panel compartment lock ...	10.268
SPRING – Fuel pump rocker arm	3.922	STRIP – Bumper bar rubbing	7.831
SPRING – Fuel tank filler door	12.966	STRUT – Parking brake	5.150
SPRING – Gearshift control	4.017	STRUT ASSEMBLY – Clutch relay lever	0.852
SPRING – Gearshift control button	4.009	STUD – Carburettor to manifold	3.288
SPRING – Gearshift lever detent	4.012	STUD – Clutch & spacer to water pump	1.050
SPRING – Gearshift lever plunger	4.006	STUD – Clutch fork ball	0.796
SPRING – Gearshift lever pre-load	4.006	STUD – Front stabilizer spacer	7.240
SPRING – Generator brush	2.286	STUD – Inlet & exhaust manifold	3.275
SPRING – Headlamp light unit retaining	2.737	STUD – Starter motor support to engine	2.041
SPRING – Hood catch	8.085	SUNDRY PARTS SET – Generator	2.315

TORANA "LX" PARTS CATALOGUE

VALVE - Transmission pressure regulator boost	4.226
VALVE - Transmission shift control	4.265
VALVE - Transmission vacuum modulator	4.265
VALVE - Windshield washer pump	10.153
VALVE ASSEMBLY - Air conditioner water	9.275
VALVE BODY ASSEMBLY - Trans. oil control	4.265
VALVE & CAGE - Fuel pump	3.909
VALVE & SEAT - Carburettor float needle	3.771
VALVE & SHIELD - Air cleaner thermal	3.415
VALVES-IN-RECEIVER - Air conditioner	9.195
VANE - Air outlet vent	9.779
VENT - Transmission	4.104
VENTURI - Carburettor	3.786

W

WASHER - Air conditioner control lever	9.278
WASHER - Air conditioner impeller	9.215
WASHER - Booster relay lever	4.628
WASHER - Brake adjusting screw	5.110
WASHER - Brake hose	4.680
WASHER - Brake main cylinder plug	4.652
WASHER - Brake pedal mounting spacer	4.636
WASHER - Carburettor fast idle lever	3.792
WASHER - Carburettor pump lever	3.781
WASHER - Clutch pedal spacer	0.839
WASHER - Counter shaft bearing	4.423
WASHER - Differential carrier to housing bolt ..	5.387
WASHER - Differential pinion flange	5.545
WASHER - Differential pinion thrust	5.542
WASHER - Differential side gear thrust	5.543
WASHER - Distributor cam retainer	2.381
WASHER - Distributor contact breaker screw ..	2.387
WASHER - Distributor thrust	2.372
WASHER - Door lock striker	10.571
WASHER - Gearshift control rod	4.040
WASHER - Gearshift 1st & reverse shift	4.020
WASHER - Gearshift lever pre-load	4.030
WASHER - Gearshift 2nd & 3rd shift	4.019
WASHER - Generator rotor	2.280
WASHER - Generator stator terminal	2.310
WASHER - Heater impeller	9.779
WASHER - Parking brake lever	5.158
WASHER - Planet pinion	4.177
WASHER - Rear seat back retainer	11.634
WASHER - Reverse idler gear	4.432
WASHER - Seat belt retractor	14.798
WASHER - Starter motor armature bearing cap ..	2.063
WASHER - Starter motor brush holder	2.052
WASHER - Starter motor support	2.041
WASHER - Starter motor through bolt	2.077
WASHER - Starter motor thrust	2.087
WASHER - Steering knuckle spindle nut	6.321
WASHER - Transmission clutch thrust	4.129
WASHER - Transmission detent	4.311
WASHER - Transmission input sun gear	4.177
WASHER - Transmission sun gear thrust	4.129
WASHER - Windshield wiper motor	10.150
WEATHERSHIELD - Door	9.684
WEATHERSTRIP - Deck lid	12.269
WEATHERSTRIP - Door	10.694
WEATHERSTRIP - Door belt	10.710
WEATHERSTRIP - Rear door fixed glass	10.822
WEATHERSTRIP - Rear door glass lifter channel	10.696
WEATHERSTRIP - Rear quarter window	11.015
WEIGHT - Distributor	2.388
WHEEL - Road	5.803
WHEEL - Steering	6.513

WICK - Distributor	2.364
WIRE - Front seat adjuster	11.589
WIRE - Headlining listing	12.955
WIRE UNIT - Spark plug & distributor	2.239
WRENCH - Wheel nut	8.821

Y

YOKE - Steering gear rack support	6.525
YOKE - Transmission reverse shifter	4.304
YOKE - Universal joint	5.555

ENGINE – CLUTCH

POWER PLANT MOUNTING – 4 Cyl. Eng.	34
POWER PLANT MOUNTING – 6 Cyl. Eng.	35
POWER PLANT MOUNTING – 8 Cyl. Eng.	36
ENGINE ASSEMBLY – 4 Cyl.	37
FRONT COVER & COMPONENTS – 4 Cyl. Eng.	38-39
CYLINDER BLOCK & OIL PAN – 4 Cyl. Eng.	40-41
CYLINDER HEAD – 4 Cyl. Eng.	42-43
ENGINE ASSEMBLY – 6 Cyl.	44-45
CYLINDER HEAD – 6 Cyl. Eng.	46-47
ENGINE ASSEMBLY – 8 Cyl.	48
ENGINE ASSEMBLY – 8 Cyl. (End view)	49
CLUTCH PEDAL – 4 Cyl. Eng.	50
CLUTCH PEDAL – 6 Cyl. Eng. – R.H.D.	51
CLUTCH PEDAL – 6, 8 Cyl. Eng. – L.H.D.	52
CLUTCH PEDAL – 8 Cyl. Eng. – R.H.D.	53
CLUTCH CONTROL – 4 Cyl. Eng. – R.H.D.	54
CLUTCH CONTROL – 6 Cyl. Eng. – R.H.D.	55
CLUTCH CONTROL – 6 Cyl. Eng. – L.H.D.	56
CLUTCH CONTROL – 8 Cyl. Eng. – R.H.D.	57
FLYWHEEL, CLUTCH & HOUSING – 4 Cyl. Eng.	58
FLYWHEEL, CLUTCH – 6, 8 Cyl. Eng.	59
CLUTCH MAIN CYLINDER – L.H.D.	60
CLUTCH ACTUATING CYLINDER – L.H.D.	61

COOLING – GRILLE – OILING

FAN BLADE – 4 Cyl. Eng.	82
FAN BLADE & PULLEY – 6 Cyl. Eng.	83
FAN BLADE & PULLEY – 8 Cyl. Eng. exc. Air Cond.	84
FAN BLADE & PULLEY – 8 Cyl. Eng. with Air Cond.	85
WATER PUMP – 6 Cyl. Eng.	86
WATER PUMP – 8 Cyl. Eng.	87
RADIATOR ASSEMBLY – 4 Cyl. Eng.	88
RADIATOR ASSEMBLY – 6 Cyl. Eng.	89
RADIATOR ASSEMBLY – 8 Cyl. Eng.	90
RADIATOR GRILLE	91
FRONT END PANELS	92
BODY MOULDINGS – RETAINERS & SCREWS	93
OIL PUMP & PAN – 4 Cyl. Eng.	94
OIL INDICATOR & FILLER CAP	95
ENGINE BREATHER – 6 Cyl. Eng.	96
ENGINE BREATHIER – 8 Cyl. Eng.	97
OIL PUMP & FILTER – 6, 8 Cyl. Eng.	98

ELECTRICAL – INSTRUMENTS

STARTER MOTOR – Delco Remy – 4 Cyl. Eng.	108-109
STARTER MOTOR – Lucas – 6 Cyl. Eng.	110
STARTER MOTOR – Bosch	111
GENERATOR & COIL – Early production – 4 Cyl. Eng.	112
GENERATOR & COIL – Revised mounting – 4 Cyl. Eng.	113
GENERATOR & COIL – 6 Cyl. Eng.	114
ELECTRIC UNITS ATTACHING PARTS – 8 Cyl. Eng.	115
GENERATOR – 4 Cyl. Eng.	116-117
GENERATOR – Lucas	118
GENERATOR – Bosch – 6, 8 Cyl. Eng.	119
DISTRIBUTOR – Delco Remy – 4 Cyl. Eng.	120-121
DISTRIBUTOR – Bosch – 6 Cyl. Eng.	122-123
DISTRIBUTOR – Lucas – 6 Cyl. Eng.	124
DISTRIBUTOR – Bosch – 8 Cyl. Eng.	125
BATTERY MOUNTING	126
BATTERY CABLES	127
DIMMER SWITCH & TURN SIGNAL LEVER	128
SPARK CONTROL PIPE – 6 Cyl. Eng.	129
IGNITION LOCK & SWITCH	130

ELECTRICAL – INSTRUMENTS (Cont'd.)

BACK-UP LAMP SWITCH – 3 Speed Transmission	131
PARKING BRAKE WARNING LAMP SWITCH	131
FUSE PANEL	131
LIGHT SWITCH – DIMMER SWITCH – L.H.D.	132
RELAY – DIMMER SWITCH	133
INSTRUMENT PANEL	134-135
CONTROL PANEL	134-135
COMBINED INSTRUMENT ASSY. – Warning lamps - UH,VC	136-137
COMBINED INSTRUMENT ASSY. – Warning lamps - UG,VB	138
COMBINED INSTRUMENT ASSY. – Gauges	139
COMBINED INSTRUMENT ASSY. – Gauges – Optional	140-141
FACIA & INSTRUMENT ASSEMBLY	142
FUEL ECONOMY INDICATOR LIGHT	143
TURN SIGNAL LAMP	144
TAIL, STOP & TURN SIGNAL LAMP ASSEMBLY	145
HEADLAMP ASSEMBLY	146
HORN & RELAY	147
STEERING WHEEL & HORN BAR – Standard type	148
STEERING WHEEL & HORN BAR – Sports type	149

FUEL – EXHAUST – CARBURETTOR

FUEL TANK – Used without Evaporative Emission Control	170
FUEL TANK – Used with Evaporative Emission Control	171
FUEL TANK STONE GUARD	172
PIPES & HOSES – Used with Evaporative Emission Control	173
HOSES – Used with Evap. Emission Control - 4 Cyl. Eng.	174
HOSES – Used with Evap. Emission Control - 6 Cyl. Eng.	175
HOSES – Used with Evap. Emission Control - 4.2 Litre Eng.	176
HOSES – Used with Evap. Emission Control - 5 Litre Eng.	177
FUEL LINES	178
VACUUM ADAPTORS – 4 Cyl. Eng.	180-181
VACUUM ADAPTORS – 6 Cyl. Eng.	182
VAVUUM ADAPTORS – 8 Cyl. Eng.	183
AIR CLEANER & CARBURETTOR – 6 Cyl. Eng.	184
AIR CLEANER & CARBURETTOR – 4.2 Litre Eng.	185
AIR CLEANER – Used with Evap.Emiss. Cont. 8 Cyl. Eng.	186
AIR PRE-HEAT SYSTEM	187
THROTTLE CONTROL – 4 Cyl. Eng.	188
THROTTLE CONTROL – 6 Cyl. Eng.	189
THROTTLE CONTROL – 8 Cyl. Eng.	190
ACCELERATOR LEVER & PEDAL	191
EXHAUST SYSTEM – 4 Cyl. Eng.	192
EXHAUST SYSTEM – 6 Cyl. Eng. exc. "SS"	193
SINGLE EXHAUST SYSTEM – 8 Cyl. Eng.	194-195
DUAL EXHAUST SYSTEM – 8 Cyl. Eng.	196-197
CHOKE CONTROL	198
AUTOMATIC CHOKE CONTROL – Bendix - 4.2 Litre Eng. ..	199
AUTOMATIC CHOKE CONTROL – Email - 4.2 Litre Eng.	200
AUTOMATIC CHOKE CONTROL – Rochester - 5 Litre Eng.	201
CARBURETTOR – TWO BARREL TYPE - Solex - 4 Cyl. Eng.	202-203
CARBURETTOR – SINGLE BARREL TYPE - Bendix - 6 Cyl. Eng.	204-205
CARBURETTOR – TWO BARREL TYPE - Bendix - 4.2 Litre Eng. - Used without Evaporative Emission Control	206-207
CARBURETTOR – TWO BARREL TYPE - Bendix - 4.2 Litre Eng. - Used with Evaporative Emission Control	208-209
CARBURETTOR – TWO BARREL TYPE - Email - 4.2 Litre Eng. - Used with Evaporative Emission Control	210-211
CARBURETTOR – FOUR BARREL TYPE - Rochester - 5 Litre Eng.	212-213
FUEL PUMP – 6 Cyl. Eng.	214
FUEL PUMP – 8 Cyl. Eng.	215

TORANA "LX" PARTS CATALOGUE

TRANSMISSION

TRANSMISSION INDEX	248
CODE 'A'	
3 SPD. RHD - TRANSMISSION ASSEMBLY	249
3 SPD. RHD - TRANSMISSION CASE & GEARS	250-251
3 SPD. RHD - GEARSHIFT CONTROL	252
3 SPD. RHD - TRANSMISSION MOUNTING	253
3 SPD. RHD - SPEEDOMETER CABLE & GEAR	254
CODE 'B'	
3 SPD. LHD - TRANSMISSION CONTROL	259
3 SPD. LHD - TRANSMISSION CASE & GEARS	260-261
3 SPD. LHD - TRANSMISSION MOUNTING	262
3 SPD. LHD - SPEEDOMETER DRIVE	263
CODE 'F'	
4 SPD. - TRANSMISSION ASSEMBLY	269
4 SPD. - TRANSMISSION CASE & GEARS	270-271
4 SPD. - TRANSMISSION CONTROL LINKAGE-4 Cyl.Eng.	272
4 SPD. - TRANS. CONTROL LINKAGE - 6, 8 Cyl. Eng.	273
4 SPD. - TRANSMISSION CONTROL	274
4 SPD. - TRANSMISSION MOUNTING	275
4 SPD. - SPEEDOMETER DRIVE	276
CODE 'H'	
4 SPD. - TRANSMISSION CONTROL	283
4 SPD. - TRANSMISSION CASE - SPEEDOMETER DRIVE	284-285
4 SPD. - TRANSMISSION GEARS	286-287
4 SPD. - TRANSMISSION MOUNTING	288
4 SPD. - SPEEDOMETER CABLE & GEARS	289
CODE 'U'	
TRIMATIC - TRANSMISSION ASSEMBLY	297
TRIMATIC - CONVERTER	298
TRIMATIC - DRUM 2nd CLUTCH, 3rd CLUTCH	299
TRIMATIC - DRUM & INPUT SHAFT - 3rd CLUTCH	300
TRIMATIC - GOVERNOR	301
TRIMATIC - OIL PUMP	302
TRIMATIC - SERVO ASSY. - GOVERNOR ASSY.	303
TRIMATIC - VALVE BODY	304
TRIMATIC - PARKING BRAKE	305
TRIMATIC - INDICATOR COLUMN SHIFT	306
TRIMATIC - NEUTRAL STARTING SWITCH	307
TRIMATIC - TRANSMISSION CONTROL - COLUMN SHIFT....	308
TRIMATIC - TRANSMISSION CONTROL - CONSOLE SHIFT..	309
TRIMATIC - TRANS. VACUUM MODULATOR & OIL FILLER..	310
TRIMATIC - TRANSMISSION CONVERTER, LOWER COVER ..	311
TRIMATIC - TRANSMISSION MOUNTING - 4 Cyl. Eng.	312
TRIMATIC - TRANSMISSION MOUNTING - 6,8 Cyl. Eng. ..	313
TRIMATIC - SPEEDOMETER DRIVE	314

BRAKE CONTROL - BRAKE OPERATING

PARKING BRAKE LAYOUT	328-329
BRAKE PEDAL - RHD	330
BRAKE PEDAL - LHD	331
BRAKE MAIN CYL., P RESSURE SWITCH, BOOSTER MTG. -RHD	332
BRAKE MAIN CYLINDER, BOOSTER MOUNTING - LHD	333
BRAKE MAIN CYLINDER	334
WHEEL CYLINDERS	335
FRONT BRAKE PIPES - DRUM BRAKES	336-337
FRONT BRAKE PIPES - DISC BRAKES	338-339
REAR BRAKE PIPES	340-341
BRAKE BOOSTER - PBR - 4, 6 Cyl. Eng.	342-343
BRAKE BOOSTER - PBR - 8 Cyl. Eng.	344-345
FRONT BRAKES - DUO-SERVO SELF ADJUSTING	346-347
REAR BRAKES	348-349
BRAKE CALIPER	350

REAR AXLE AND DRIVE

REAR AXLE AND SUSPENSION	362
REAR STABILIZER & PROPELLER SHAFT	363
REAR AXLE ASSEMBLY	364
DIFFERENTIAL ASSY. - LIMITED SLIP - 6 Cyl. Eng.	365
TRIM RING AND ROAD WHEEL	366

FRONT SUSPENSION STEERING

FRONT SUSPENSION AND STEERING GEAR	374
FRONT SUSPENSION AND STEERING GEAR - (Views)	375
FRONT WHEEL HUB	376
STEERING COLUMN & COUPLING	377
STEERING COLUMN	378
STEERING GEAR ASSEMBLY	379

FRAME - SPRINGS - BUMPERS

REAR SHOCK ABSORBERS - SUPERLIFT	388
REAR SHOCK ABSORBERS - SUPERLIFT (Views)	389
FRONT STABILISER	390
FRONT BUMPER	391
REAR BUMPER	392

SHEET METAL

ENGINE HOOD	398
HOOD LOCK	399
SIDE SPLASH GUARD	400
CENTRE SPLASH GUARD	401
FRONT FENDER	402
FRONT AIR DAM	403
JACK & SPARE WHEEL - 69 Body Style	404
JACK & SPARE WHEEL - 77 Body Style	405

ACCESSORIES - AIR CONDITIONING - HEATER

AIR CONDITIONER COMPRESSOR - 6 Cyl. Eng.	414
AIR CONDITIONER COMPRESSOR - 8 Cyl. Eng.	415
AIR CONDITIONER REFRIGERANT SYSTEM - 6 Cyl. Eng.	416
AIR CONDITIONER REFRIGERANT SYSTEM - 6 Cyl. Eng.	417
AIR CONDITIONER REFRIGERANT SYSTEM - 8 Cyl. Eng.	418
AIR CONDITIONER HEATER HOSES - 6 Cyl. Eng. - LHD ..	419
AIR CONDITIONER HEATER HOSES - 6 Cyl. Eng. - RHD ..	420
AIR CONDITIONER HEATER HOSES - 8 Cyl. Eng. - LHD ..	421
AIR CONDITIONER HEATER HOSES - 8 Cyl. Eng. - RHD ..	422
AIR CONDITIONER HOUSING & DUCT - 6 Cyl. Eng.	423
AIR CONDITIONER HOUSING & DUCT - 8 Cyl. Eng.	424
AIR CONDITIONER HEATER CASE & VACUUM ACTUATORS	425
AIR CONDITIONING CONTROLS	426
AIR CONDITIONING CONTROLS (Views)	427
TOW BAR PACKAGE	428
TOW BAR LOAD LEVELLER PACKAGE	429
WATER BAG CARRIER	430
MUD DEFLECTOR PACKAGE	431
BUMPER GUARD PACKAGE	432
HEADLAMP GUARD	433
INTERNAL INSECT SCREEN	433
VANITY MIRROR	434
DOOR PULL TO HANDLE	434
DOOR PAINT PROTECTION PLATES	434
RADIO PACKAGE	435
PARCEL SHELF PACKAGE	436
TRAILER WIRING HARNESS	436

ACCESSORIES – AIR CONDITIONING – HEATER (Cont'd.)

HATCH HUTCH PACKAGE	437
REAR WINDOW VENETIAN SHADE	438
EXTERNAL SUNSHADE	438
DOOR WEATHERSHIELD	438
HEATED REAR WINDOW – 69 Body Style	439
HEATED REAR WINDOW – 77 Body Style	440
HEATER HOSES – 4 Cyl. Eng.	441
HEATER HOSES – 6 Cyl. Eng.	442
HEATER HOSES – 8 Cyl. Eng.	443
HEATER & DEMISTER	444
HEATER CONTROLS	445

WINDSHIELD – DOOR HARDWARE – GLASS

WINDSHIELD WIPER – RHD	464
WINDSHIELD WIPER – RHD (Views)	465
WINDSHIELD WIPER – LHD	466
WINDSHIELD WIPER – LHD (Views)	467
WINDSHIELD WIPER MOTOR – Lucas	468
WINDSHIELD WIPER MOTOR – Preslite	469
WINDSHIELD WASHER	470
WINDSHIELD WASHER (Views)	471
FRONT DOOR MIRROR – Standard Type	472
EXTERNAL MIRROR LH PACKAGE	473
EXTERNAL MIRROR – REMOTE CONTROL	473
FRONT DOOR MIRROR – Aerodynamic Type	474
SUN VISOR & INTERIOR MIRROR	475
ASH TRAY & INSTRUMENT FACIA	476
INSTRUMENT PANEL COMPARTMENT & LID	477
INSTRUMENT PANEL COMPARTMENT LAMP – 69 Body Style	478
INSTRUMENT PANEL COMPARTMENT LAMP – 77 Body Style	479
FRONT DOOR HARDWARE – 69 Body Style	480
FRONT DOOR HARDWARE – Sections & Views	481
FRONT DOOR HARDWARE – 77 Body Style	482
FRONT DOOR LOCK & REMOTE CONTROL – 77 Body Style	483
REAR DOOR HARDWARE	484
REAR DOOR HARDWARE – Sections & Views	485
GRILLE AND LACING	486
FRONT DOOR WEATHERSTRIPS & SEALS – 69 Body Style ..	487
FRONT DOOR WEATHERSTRIPS & SEALS – 77 Body Style ..	488
REAR DOOR WEATHERSTRIPS & SEALS	489
GLASS – 69 Body Style	490

REAR GLASS – SEAT AND ADJUSTER

QUARTER WINDOW – 77 Body Style	502
DOOR COURTESY LIGHT SWITCH	503
FRONT SEAT ADJUSTER	504
FRONT SEAT RECLINER	505
REAR SEAT BACK – 77 Body Style	506-507

MOULDINGS & CLIPS – SHEET METAL

BODY MOULDINGS – 8UG69	514
BODY MOULDINGS – 8UH69 – 8VC69	515
BODY MOULDINGS – 8VB69	516
BODY MOULDINGS – 8UH77 – 8VC77	517
BODY MOULDINGS – 8VD77	518
BODY MOULDINGS – RETAINERS & SCREWS	519
BODY MOULDINGS – RETAINERS & SCREWS	520
BODY MOULDINGS – RETAINERS & SCREWS	521
BODY MOULDINGS – RETAINERS & SCREWS	522
BODY MOULDINGS – RETAINERS & SCREWS	523

MOULDINGS & CLIPS – SHEET METAL (Cont'd.)

SPOILER, MOULDING & NAME PLATE – 8VD69	524
EXTERNAL ORNAMENTATION	525
DECK LID LOCK	526
REAR COMPARTMENT LID LOCK – 77 Body Style	527
REMOTE CONTROL LOCK RELEASE – DECK LID	528-529
TONNEAU FLOOR	530
FRONT END SHEET METAL	531
REAR SHEET METAL – 69 Body Style	532-533
REAR SHEET METAL – 77 Body style	534-535
SILENCER & INSULATOR	536
REAR QUARTER RELIEF VALVE	537
FUEL TANK FILLER DOOR	538

BODY WIRING HARNESS

BODY WIRING – 69 Body Style	550-551
BODY WIRING – 77 Body Style	552-553

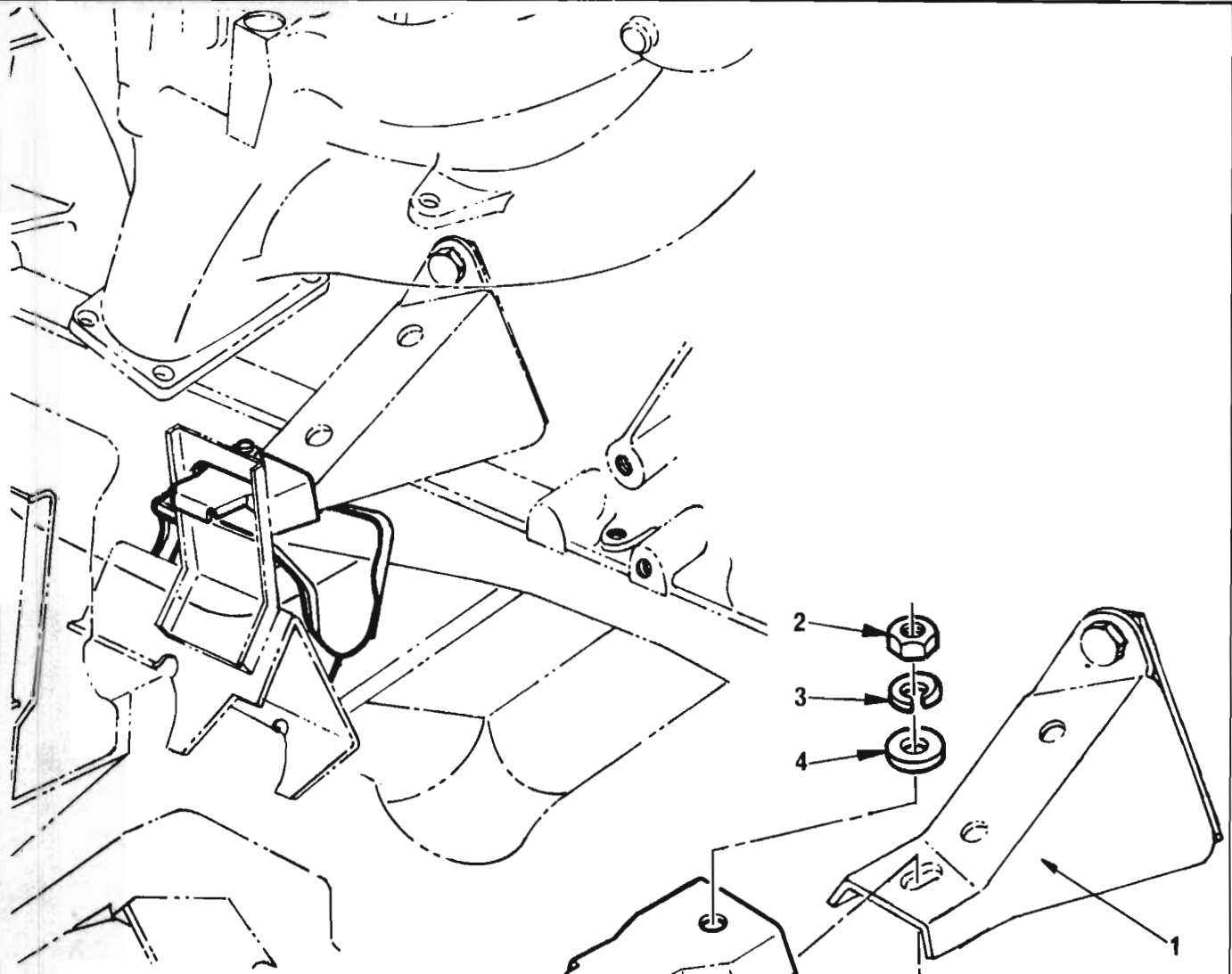
INTERIOR TRIM

HEADLINING & ASSIST GRIP HANDLE – 69 Body Style	556
HEADLINING & ASSIST GRIP HANDLE – 77 Body Style	557
INTERIOR TRIM – 69 Body Style	558-559
INTERIOR TRIM – 77 Body Style	560-561
INSTRUMENT PANEL PAD	562
SEAT BELT IDENTIFICATION	563
SEAT BELTS – BENCH SEAT – RETRACTOR – 69 Body Style	564
FRONT SEAT BELTS – BUCKET SEATS – RETRACTOR – 69 Body Style	565
FRONT SEAT BELTS – BUCKET SEATS – RETRACTOR – 77 Body Style	566
REAR SEAT BELTS – 69 Body Style	567
REAR SEAT BELTS – 77 Body Style	568

REAR TRIM – MATS – CARPETS

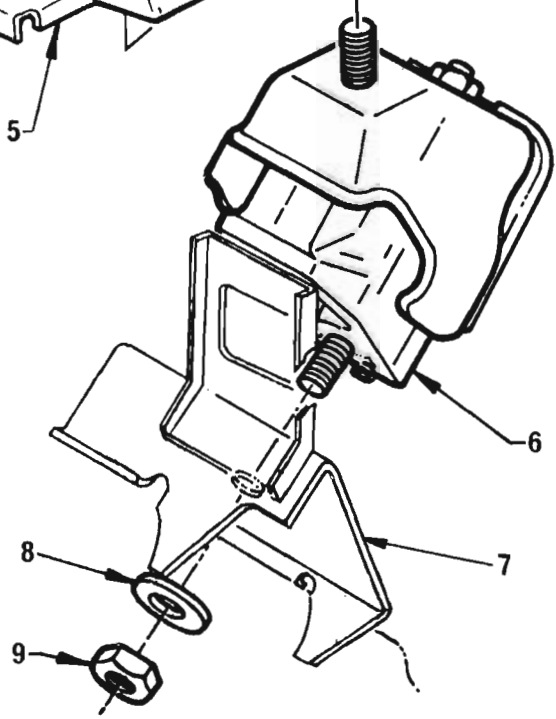
FRONT SEAT SEPARATOR	578
TRANSMISSION CONSOLE – 69 Body Style	579
TRANSMISSION CONSOLE – 77 Body Style	580
REAR QUARTER TRIM – 77 Body Style	581
FLOOR MATS & CARPETS	582

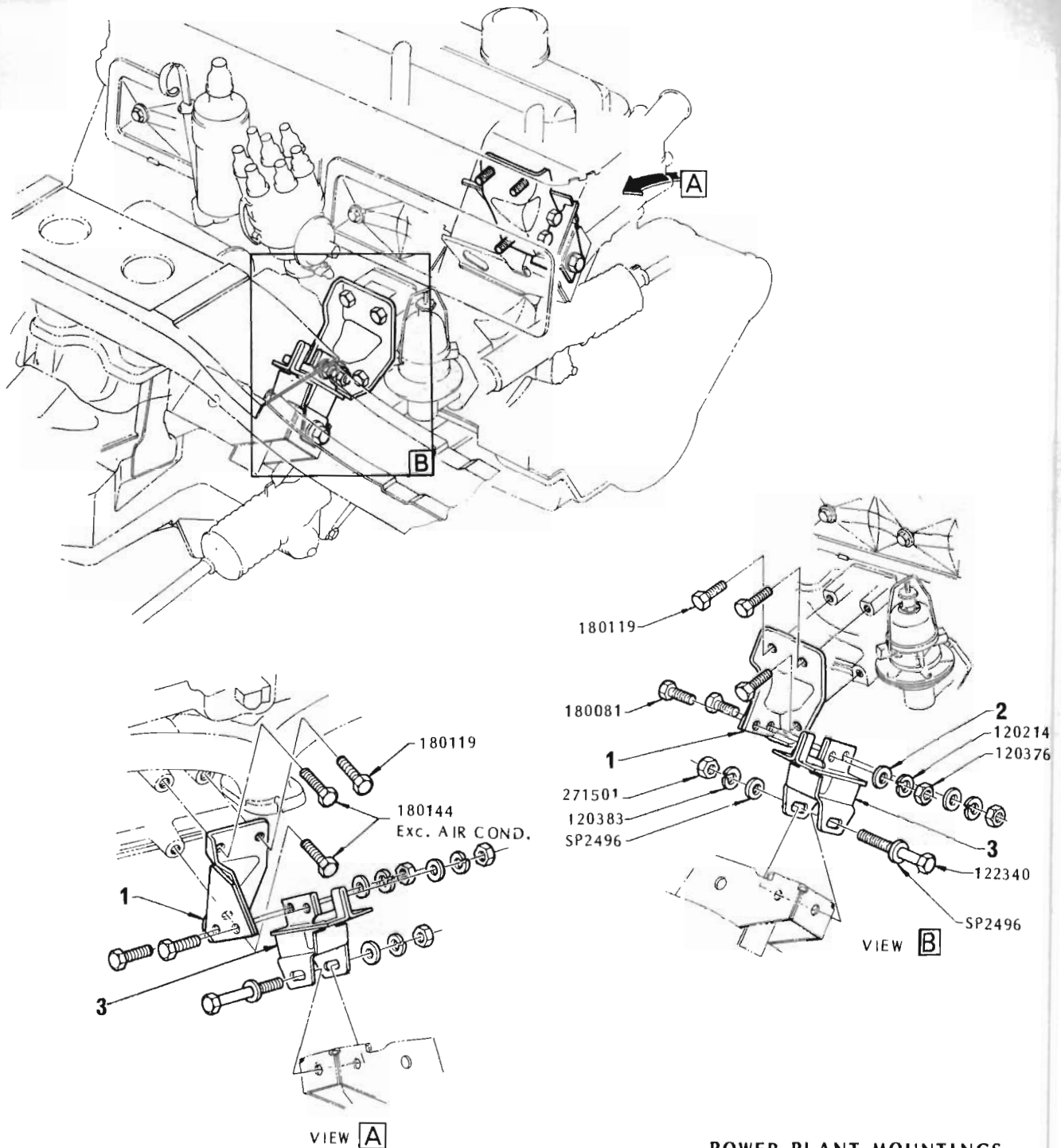
GROUP 0.000
ENGINE-CLUTCH



POWER PLANT MOUNTING
4 Cylinder Engine

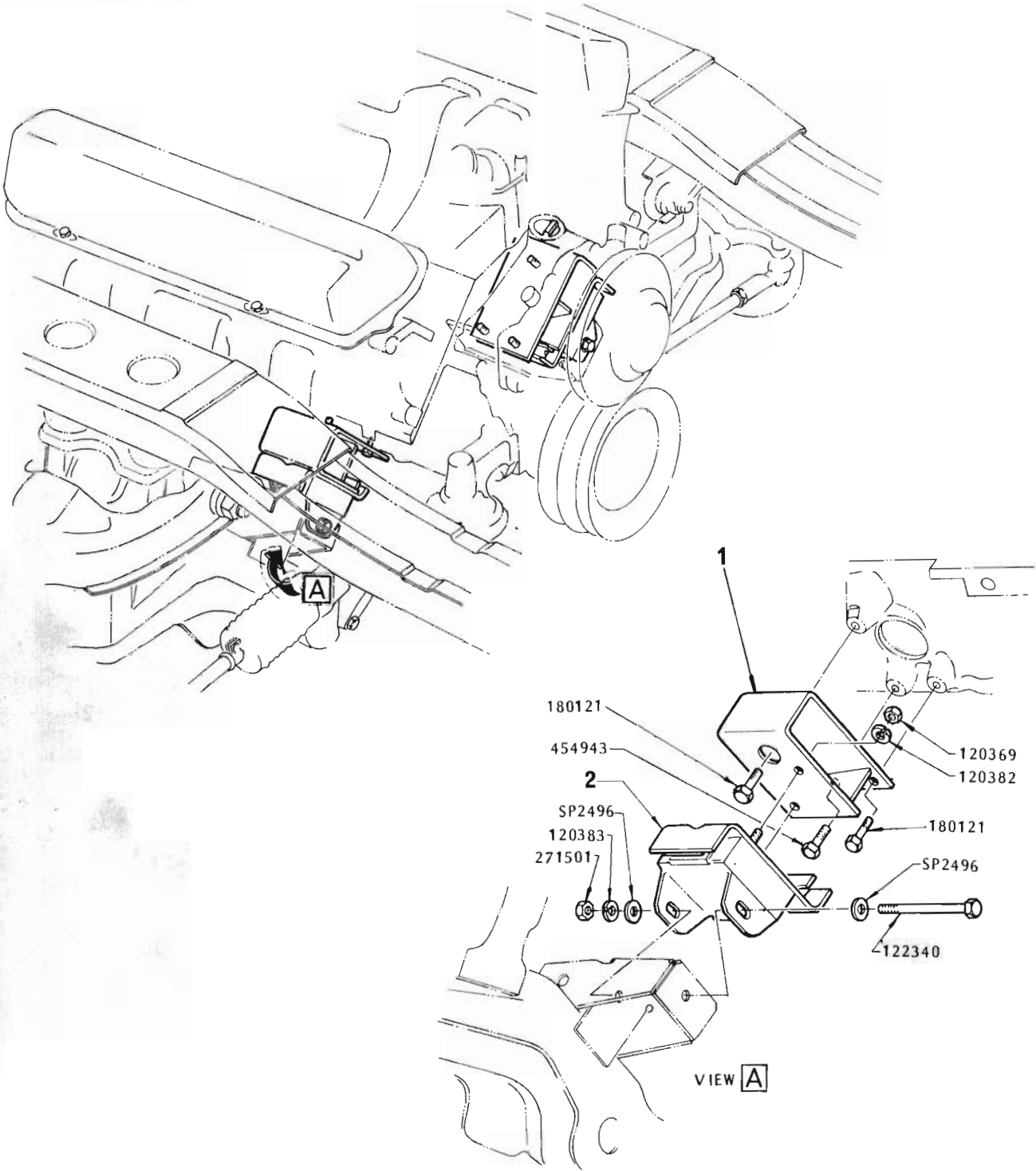
ILLUS. REF. NO.	PART NAME	GROUP
1.	BRACKET ASSY. — Front mounting	0.027
2.	NUT — Mounting to bracket	0.027
3.	WASHER — 10.2mm x 16.1mm x 2.5mm	0.027
4.	WASHER — 10.5mm x 21mm x 1mm	0.027
5.	BRACKET — Mounting bracket interlock	0.027
6.	MOUNTING ASSY. — Front	0.027
7.	BRACKET ASSY. — Power plant mounting	6.008
8.	WASHER — Mounting to cross member	0.027
9.	NUT — Mounting to cross member	0.027





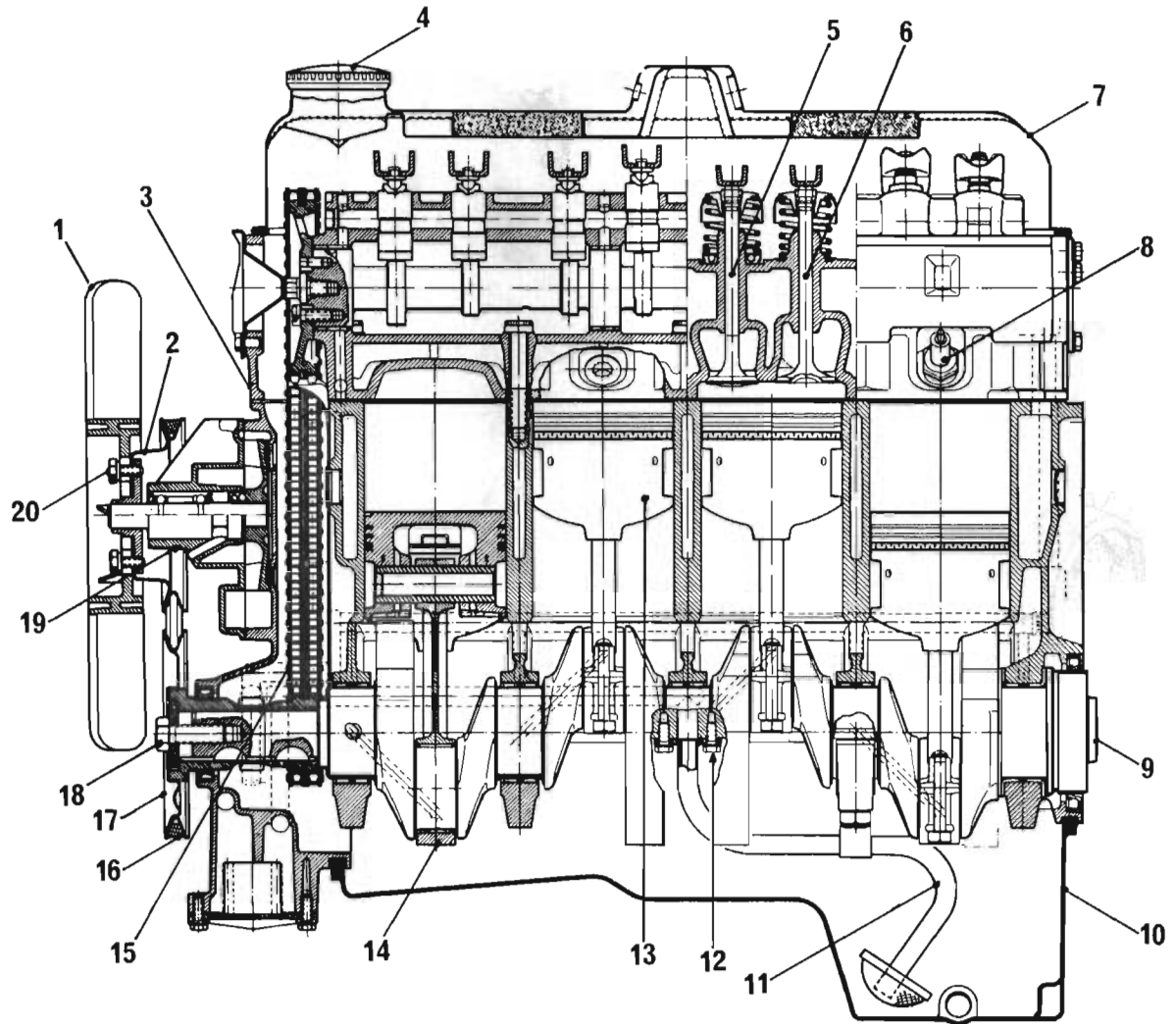
POWER PLANT MOUNTINGS
6 Cylinder Engines

ILLUS. REF. NO.	PART NAME	GROUP
1.	BRACKET ASSY. - Front mounting	0.027
2.	WASHER - Mounting to bracket	0.027
3.	MOUNTING ASSY. - Front	0.027



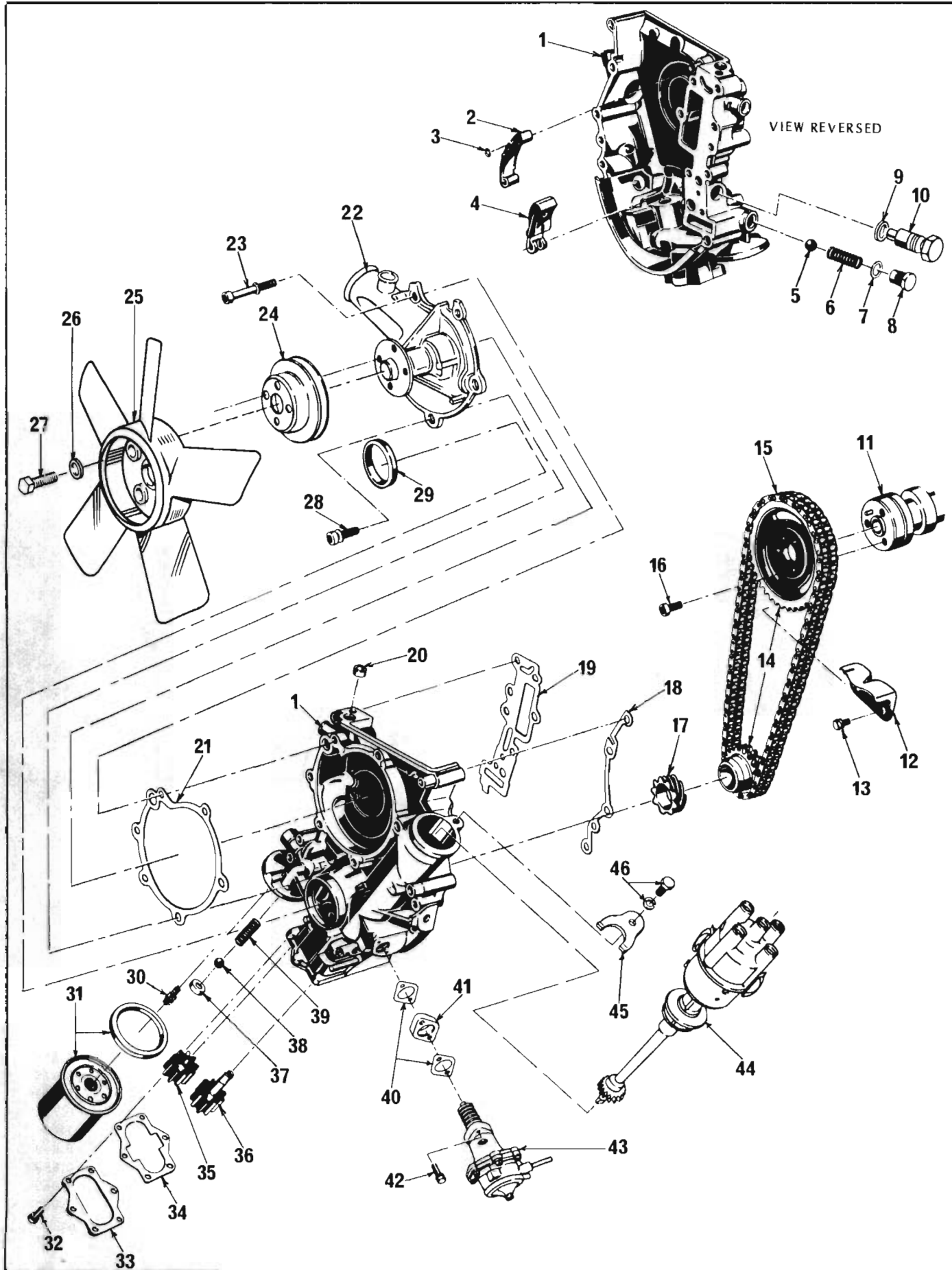
POWER PLANT MOUNTING
8 Cylinder Engine

ILLUS. REF. NO.	PART NAME	GROUP
1.	BRACKET ASSY. — Front mounting	0.027
2.	MOUNTING ASSY. — Front	0.027



ENGINE ASSEMBLY - 4 CYLINDER

ILLUS. REF. NO.	PART NAME	GROUP	ILLUS. REF. NO.	PART NAME	GROUP
1.	BLADE ASSY. - Fan	1.064	11.	PIPE & SCREEN ASSY.	1.656
2.	PULLEY - Water pump & fan	1.062	12.	BOLT - Pipe to cylinder block	1.656
3.	COVER ASSY. - Crankcase front end	0.206	13.	PISTON & PIN ASSY.	0.629
4.	CAP - Oil filler	1.758	14.	ROD ASSY. - Connecting	0.603
5.	VALVE - Exhaust	0.297	15.	CHAIN - Timing	0.724
6.	VALVE - Inlet	0.296	16.	BELT - Fan & Generator	1.066
7.	COVER - Valve rocker	0.386	17.	PULLEY - Crankshaft	0.659
8.	PLUG ASSY. - Spark	2.270	18.	BOLT - Thrust washer to pulley	0.659
9.	CRANKSHAFT ASSY.	0.646	19.	PUMP ASSY. - Water	1.069
10.	PAN ASSY. - Oil	1.426	20.	BOLT - Fan blade attaching	1.064

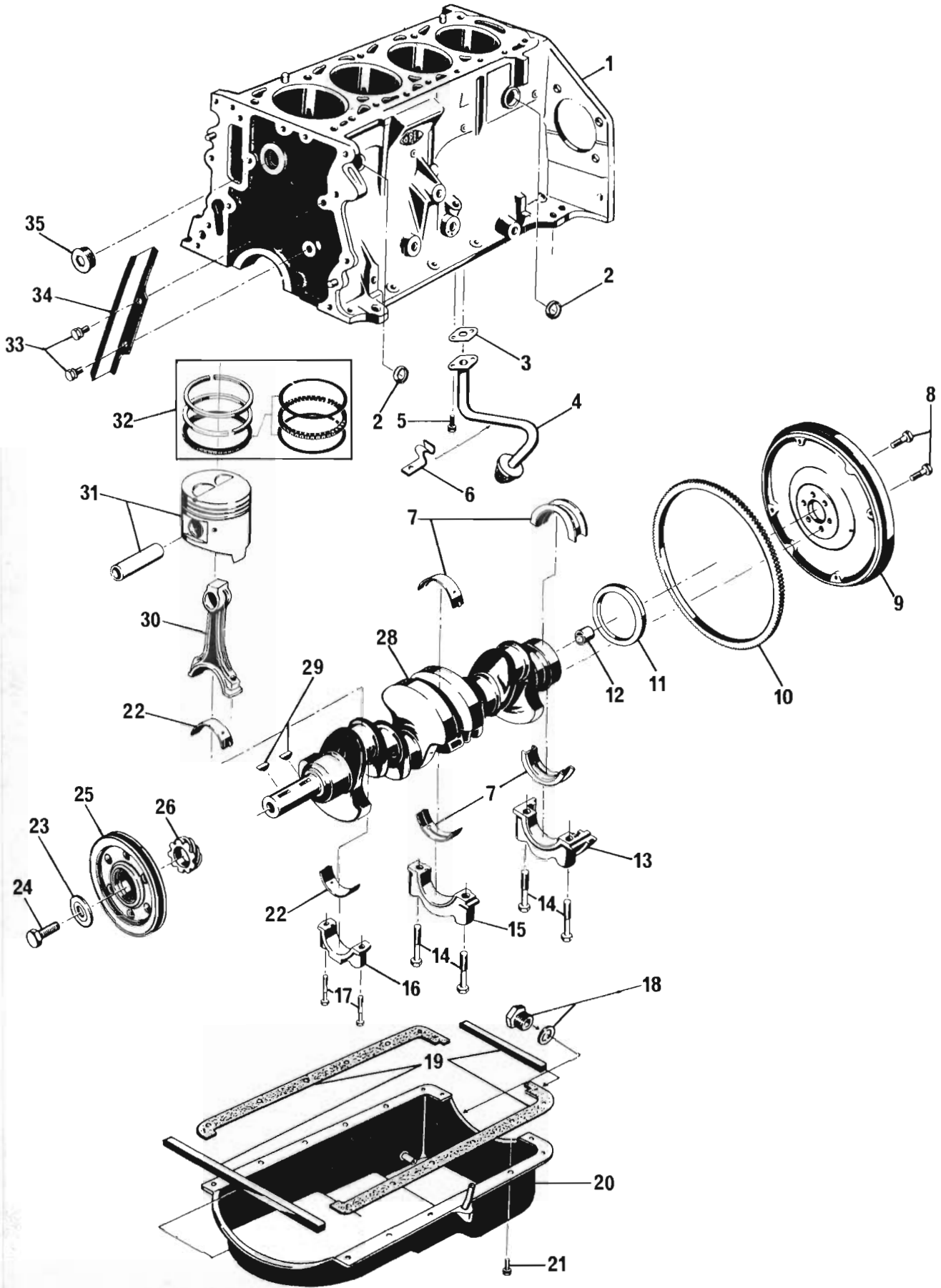


FRONT COVER and COMPONENTS
4 Cylinder Engine

ILLUSTRATION OPPOSITE

ILLUS. REF. NO.	PART NAME	GROUP
1.	COVER ASSY. – Crankcase front end	0.206
2. *	RAIL – Timing chain slide	0.726
3.	BOLT – Arm & slide rail	0.726
4. *	ARM – Timing chain tensioner	0.726
5.	BALL – Regulator valve	1.609
6.	SPRING – Regulator valve	1.610
7.	GASKET – Regulator spring plug	1.611
8.	PLUG – Regulator spring	1.611
9. *	RING – Tensioner housing sealing	0.726
10.	TENSIONER ASSY. – Timing chain	0.726
11.	CAMSHAFT	0.519
12.	SUPPORT – Camshaft gear	0.732
13.	SCREW – Camshaft support	0.732
14.	KIT – Camshaft timing (includes *)	0.732
15. *	CHAIN – Timing	0.724
16. *	SCREW – Camshaft stop	0.736
17.	GEAR – Camshaft	0.728
18.	GASKET – Crankcase front end cover (L.H.)	0.207
19.	GASKET – Crankcase front end cover (R.H.)	0.207
20.	PLUG – Cover upper	0.209
21.	GASKET – Water pump to engine	1.079
22.	PUMP – Water	1.069
23.	BOLT – W.P. 7mm x 1mm x 72mm	1.069
24.	PULLEY – Water pump & fan	1.062
25.	BLADE – Fan	1.064
26.	WASHER – Fan	1.064
27.	SCREW – Fan	1.064
28.	BOLT – W.P. 7mm x 1mm x 20mm	1.069
29.	SEAL – Front end cover	0.209
30.	CONNECTOR – Oil filter element	1.835
31.	ELEMENT – Oil filter	1.835
32.	SCREW – Oil pump cover	1.723
33.	COVER – Oil pump	1.723
34.	GASKET – Oil pump cover	1.724
35.	GEAR – Driven	1.659
36.	GEAR & SHAFT ASSY.	1.659
37.	SLEEVE – Oil filter ball valve	1.837
38.	BALL – Oil filter short circuit	1.837
39.	SPRING – Oil filter ball valve	1.837
40.	GASKET – Fuel pump flange – .05mm	3.932
41.	GASKET – Fuel pump flange – 2.4mm	3.932
42.	BOLT – Fuel pump to cyl. block	3.900
43.	PUMP – Fuel	3.900
44.	DISTRIBUTOR	2.361
45.	BRACKET – Distributor	2.414
46.	BOLT & LOCK WASHER – Distributor	2.414

NOTE: * Included in Camshaft Timing Kit

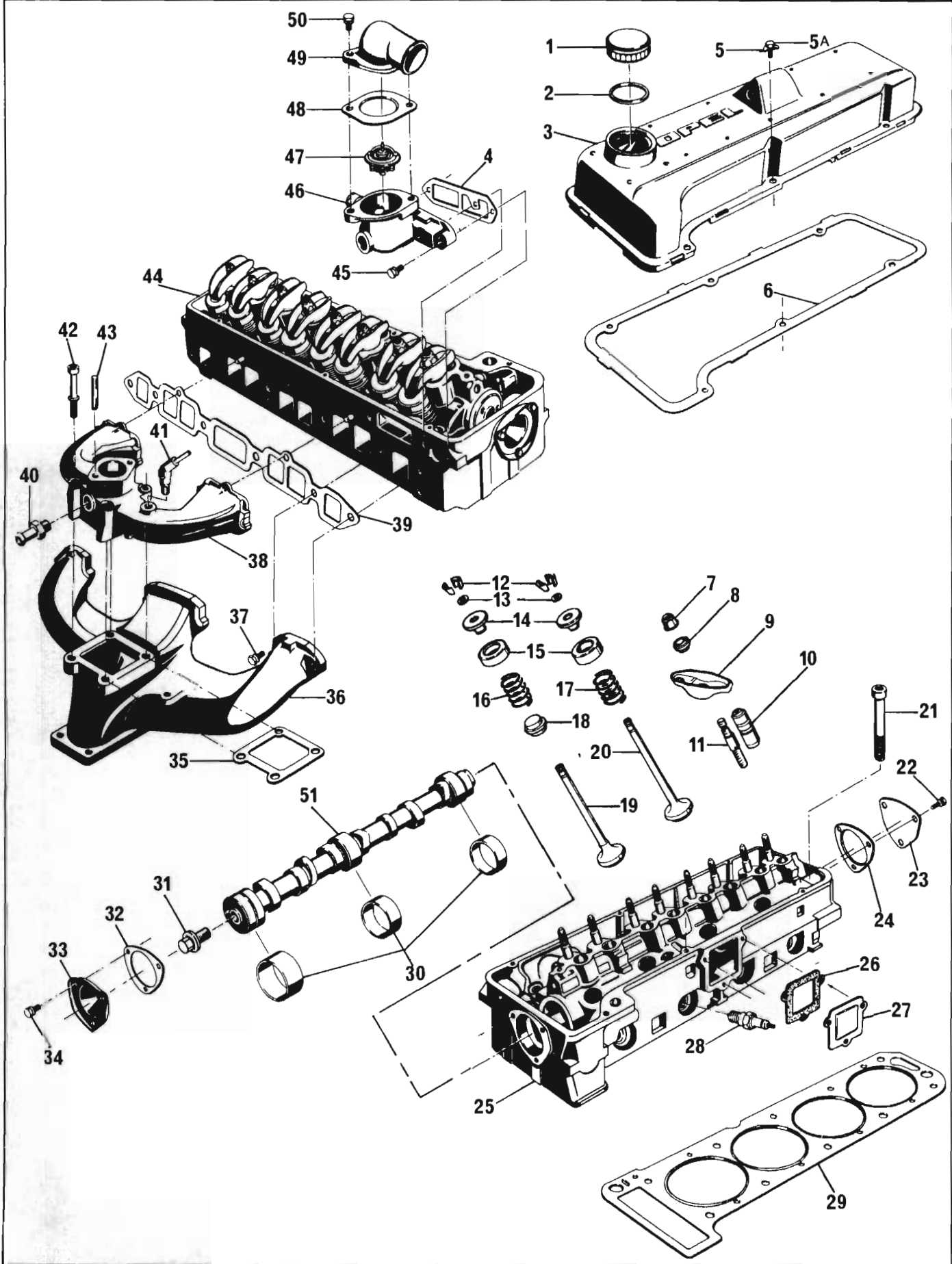


CYLINDER BLOCK and OIL PAN
4 Cylinder Engine

ILLUSTRATION OPPOSITE

ILLUS. REF. NO.	PART NAME	GROUP
1.	BLOCK	N.S.S.
2.	PLUG - Water jacket expansion	0.033
3.	GASKET - Suction tube flange	1.656
4.	TUBE & SCREEN ASSEMBLY	1.656
5.	BOLT - Hex.hd. with spring washer	1.656
6.	CLIP - Suction tube	
7.	BEARING SET - Crankshaft	0.094
8.	BOLT - Flywheel to crankshaft	0.669
9/10.	FLYWHEEL & RING GEAR ASSEMBLY	0.666
11.	SEAL - Crankshaft	0.137
12.	BEARING - Crankshaft clutch pilot	0.649
13.	CAP - Main bearing	N.S.S.
14.	BOLT - Main bearing cap	0.056
15.	CAP - Main bearing	N.S.S.
16.	CAP - Connecting rod	N.S.S.
17.	BOLT - Connecting rod	0.623
18.	PLUG & GASKET ASSEMBLY - Oil pan	1.453
19.	GASKET SET - Oil pan	1.429
20.	PAN ASSEMBLY - Oil	1.426
21.	SCREW - Oil pan	1.426
22.	BEARING SET - Connecting rod	0.616
23.	WASHER - Crankshaft pulley	0.659
24.	BOLT - Crankshaft pulley	0.659
25.	PULLEY - Crankshaft	0.659
26.	GEAR - Crankshaft	0.728
28.	CRANKSHAFT	0.646
29.	KEY - Crankshaft	0.728
30.	ROD - Connecting	0.603
31.	PISTON & PIN ASSEMBLY	0.629
32.	RING SET - Piston	0.643
33.	BOLT - Timing chain guide	0.724
34.	GUIDE - Timing chain	0.724
35.	PLUG - Water jacket	0.033

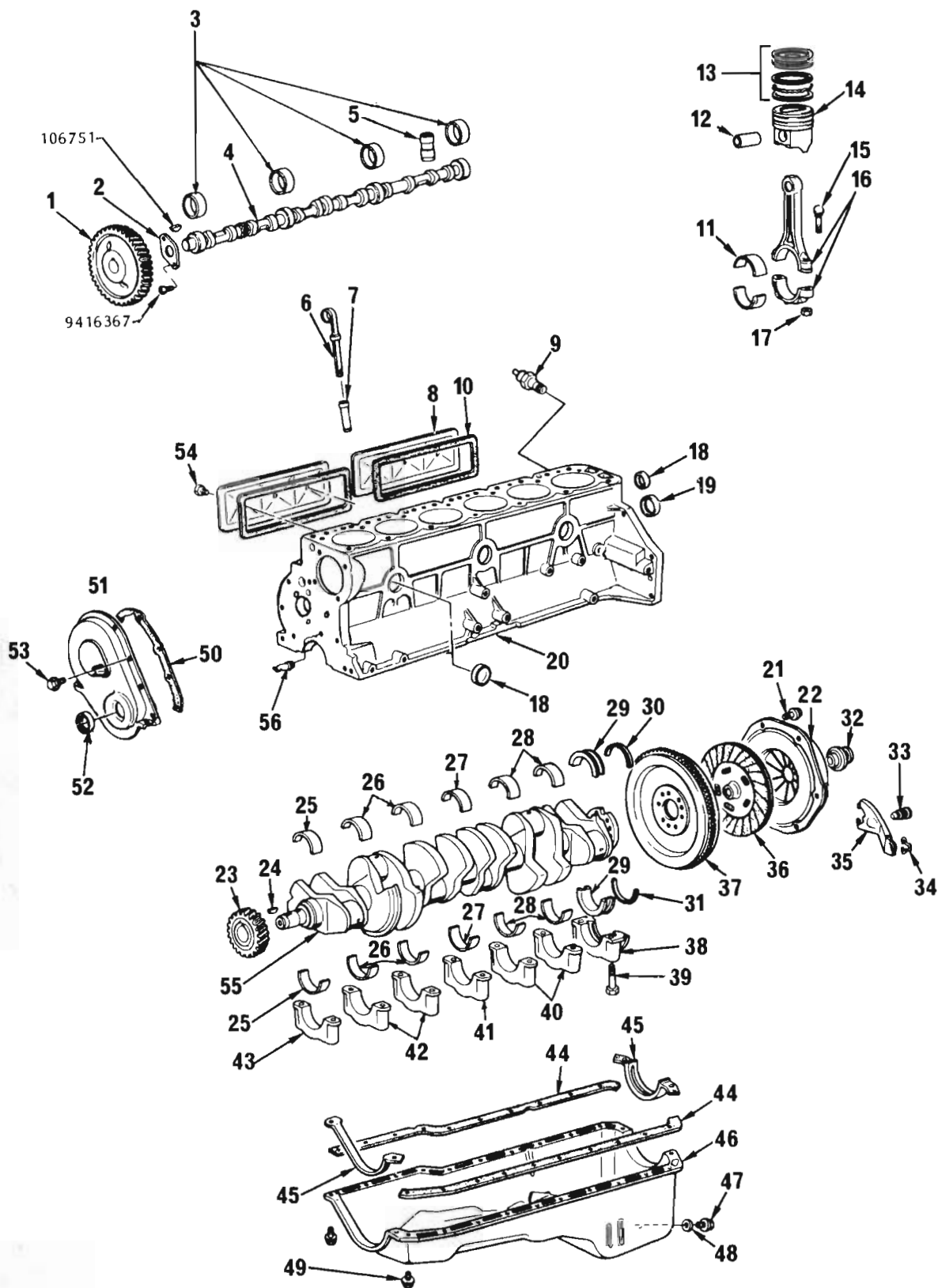
TORANA "LX" PARTS CATALOGUE



CYLINDER HEAD
4 Cylinder Engine

ILLUSTRATION OPPOSITE

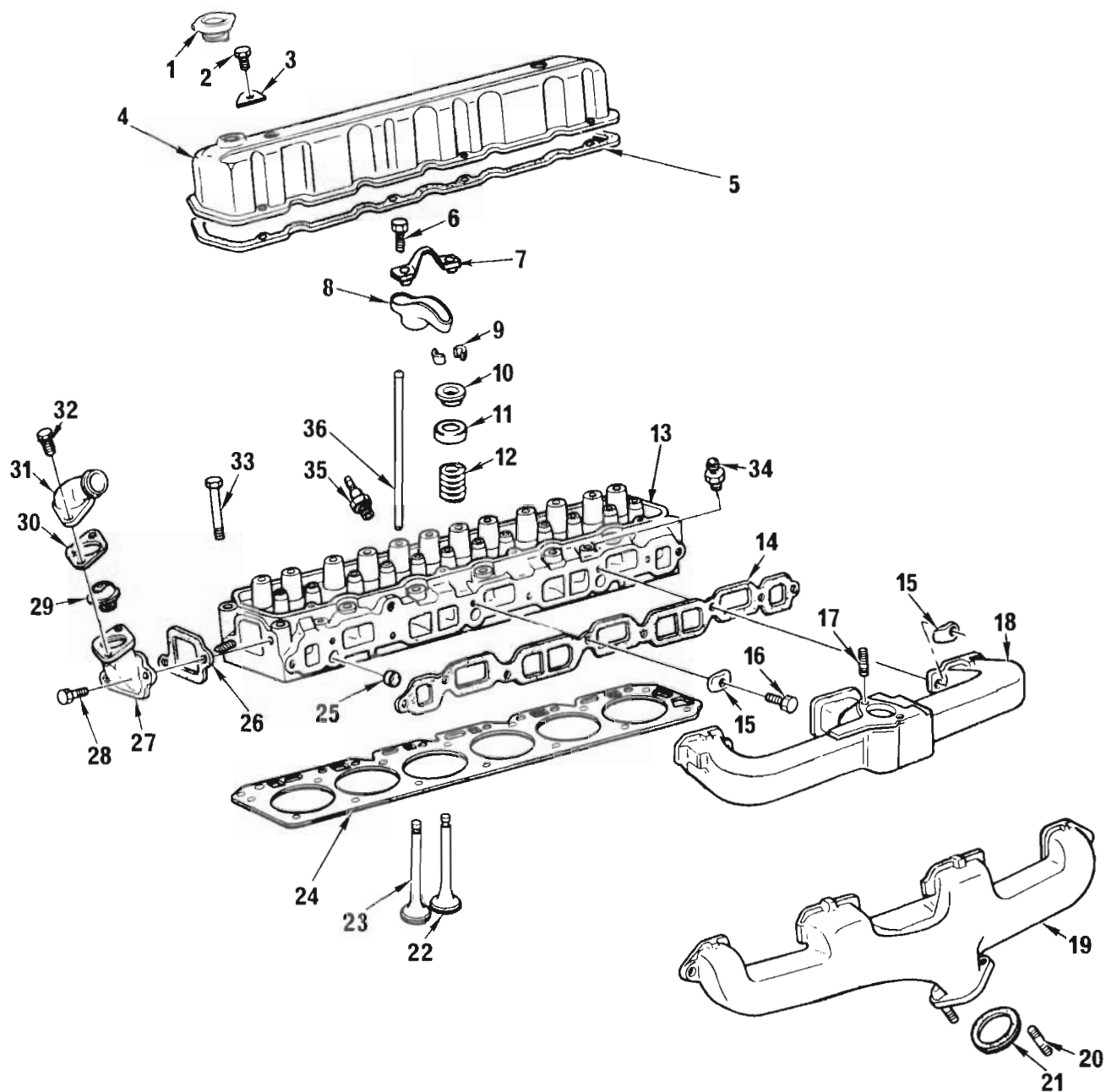
ILLUS. REF. NO.	PART NAME	GROUP
1.	CAP - Oil filler	1.758
2.	GASKET - Oil filler cap	1.517
3.	COVER - Valve rocker	0.386
4.	GASKET - Thermostat housing	1.252
5.	REINFORCEMENT - Rocker cover	0.413
5A.	BOLT - Rocker cover fixing	0.386
6.	GASKET - Valve rocker cover	0.423
7.	NUT - Valve rocker arm	0.429
8.	BALL UNIT - Valve rocker arm	0.429
9.	ARM - Valve rocker	0.333
10.	LIFTER - Valve	0.459
11.	SCREW - Valve rocker arm	0.429
12.	KEY - Valve stem	0.310
13.	SEAL - Valve stem	0.308
14.	CUP - Valve spring	0.309
15.	CAP - Valve stem	0.308
16.	SPRING - Exhaust valve	0.303
17.	SPRING - Inlet valve	0.303
18.	ROTATOR - Exhaust valve	0.309
19.	VALVE - Exhaust	0.297
20.	VALVE - Inlet	0.296
21.	BOLT - Cylinder head	0.293
22.	BOLT - Camshaft cover	0.386
23.	COVER - Camshaft rear	0.386
24.	GASKET - Camshaft cover	0.386
25.	HEAD - Cylinder	0.269
26.	GASKET - Side cover	0.269
27.	COVER - Side	0.269
28.	SPARK PLUG	2.270
29.	GASKET - Cylinder head <i>6.07455</i>	0.289
30.	BEARING - Camshaft	0.539
31.	BOLT - Camshaft locator	0.533
32.	GASKET - Camshaft cover	0.386
33.	COVER - Camshaft front	0.386
34.	BOLT - Camshaft cover	0.386
35.	GASKET - Inlet to exhaust manifold	3.270
36.	MANIFOLD - Exhaust	3.601
37.	BOLT - Manifold to cylinder head	3.601
38.	MANIFOLD - Inlet	3.265
39.	GASKET - Manifold to cylinder head	3.270
40.	NOZZLE - Heater	9.779
41.	ADAPTOR - Vacuum	3.265
42.	BOLT - Inlet manifold to exhaust manifold	
43.	STUD - Manifold	3.288
44.	HEAD - Cylinder	0.269
45.	BOLT - Thermostat housing	1.251
46.	HOUSING - Thermostat	1.251
47.	THERMOSTAT	1.246
48.	GASKET - Water outlet	1.154
49.	OUTLET - Cylinder head water	1.153
50.	BOLT - Water outlet	1.153
51.	CAMSHAFT	0.519



CYLINDER BLOCK
6 Cylinder Engine

ILLUSTRATION OPPOSITE

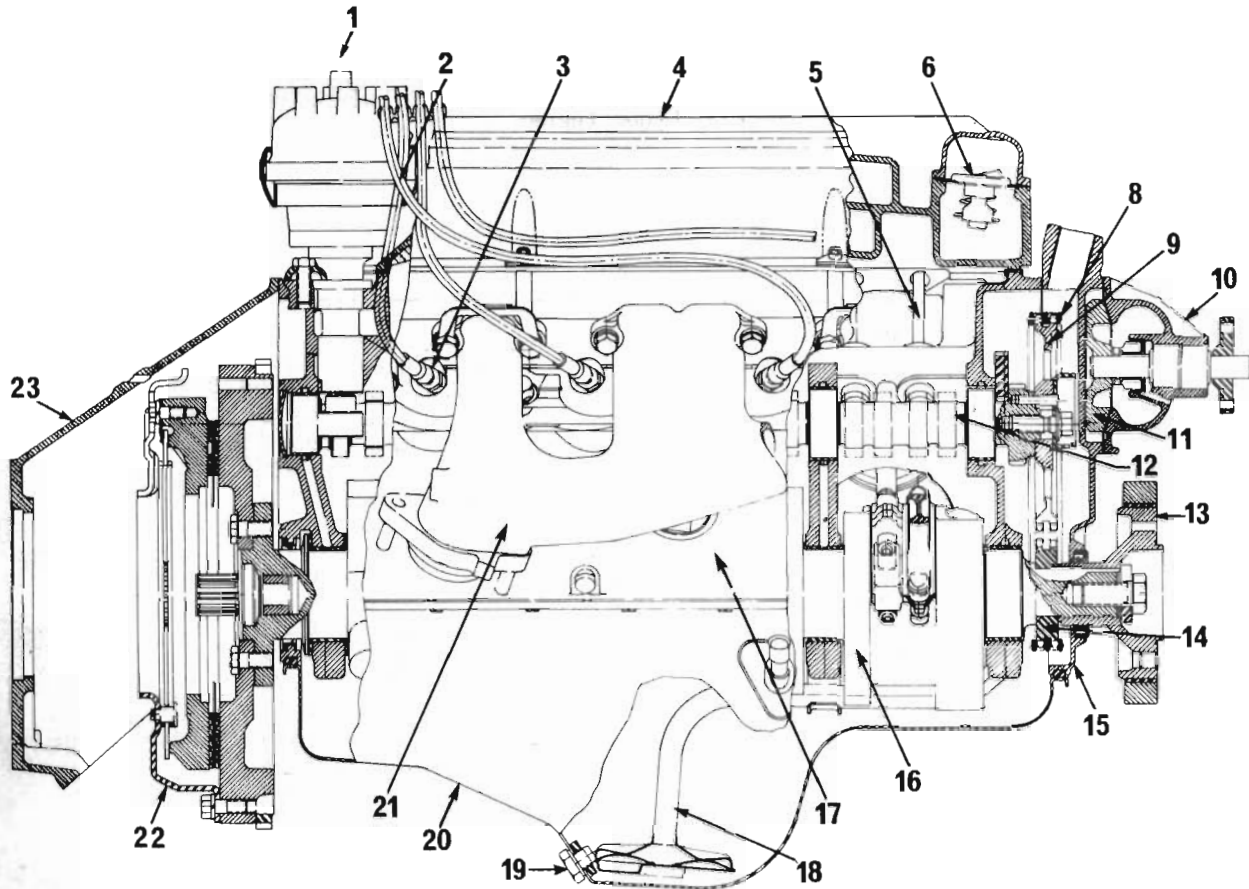
ILLUS. REF. NO.	PART NAME	GROUP
1.	GEAR – Camshaft	0.736
2.	BEARING – Camshaft thrust	0.533
3.	BEARING SET – Camshaft	0.536
4.	CAMSHAFT	0.519
5.	LIFTER ASSEMBLY – Hydraulic valve	0.459
6.	INDICATOR ASSEMBLY – Oil level	1.516
7.	TUBE – Oil level indicator	1.516
8.	COVER ASSEMBLY – Valve push rod	0.439
9.	SWITCH ASSEMBLY – Oil pressure	1.803
10.	GASKET – Valve push rod cover	0.443
11.	BEARING – Connecting rod	0.616
12.	PIN – Piston	0.636
13.	RING SET – Piston	0.643
14.	PISTON & PIN ASSEMBLY	0.629
15.	BOLT – Connecting rod	0.623
16.	ROD ASSEMBLY – Connecting	0.603
17.	NUT – Connecting rod bolt	0.626
18.	PLUG – Water jacket	0.033
19.	PLUG – Camshaft rear bearing	0.553
20.	BLOCK ASSEMBLY	0.033
21.	BOLT – Clutch to flywheel	0.870
22.	COVER & PRESSURE PLATE ASSEMBLY – Clutch	0.861
23.	GEAR – Crankshaft	0.728
24.	KEY – Woodruff	0.728
25.	BEARING – Front	0.096
26.	BEARING – Front intermediate	0.096
27.	BEARING – Centre	0.101
28.	BEARING – Rear intermediate	0.103
29.	BEARING – Rear	0.106
30.	SEAL – Upper	0.137
31.	SEAL – Lower	0.137
32.	BEARING ASSEMBLY	0.799
33.	STUD – Clutch lever ball	0.796
34.	SPRING – Ball stud	0.796
35.	LEVER – Clutch	0.795
36.	PLATE ASSEMBLY – Clutch driven	0.886
37.	FLYWHEEL & RING GEAR ASSEMBLY	0.666
38.	CAP – Rear bearing	0.105
39.	BOLT – Bearing cap	0.056
40.	CAP – Rear intermediate bearing	0.102
41.	CAP – Centre bearing	0.100
42.	CAP – Front intermediate bearing	0.098
43.	CAP – Front bearing	0.095
44.	GASKET SET	1.429
45.	SEAL – Oil pan	1.429
46.	PAN ASSEMBLY – Oil	1.426
47.	PLUG – Oil pan	1.426
48.	WASHER – Oil pan plug	1.426
49.	BOLT & WASHER	1.426
50.	GASKET – Front end cover	0.207
51.	COVER – Front end	0.206
52.	SEAL – Front end cover	0.209
53.	BOLT – Front end cover	0.206
54.	BOLT & SEAL ASSEMBLY – Valve push rod cover	0.449
55.	CRANKSHAFT	0.646
56.	NOZZLE – Timing gear oil	0.748



CYLINDER HEAD
6 Cylinder Engine

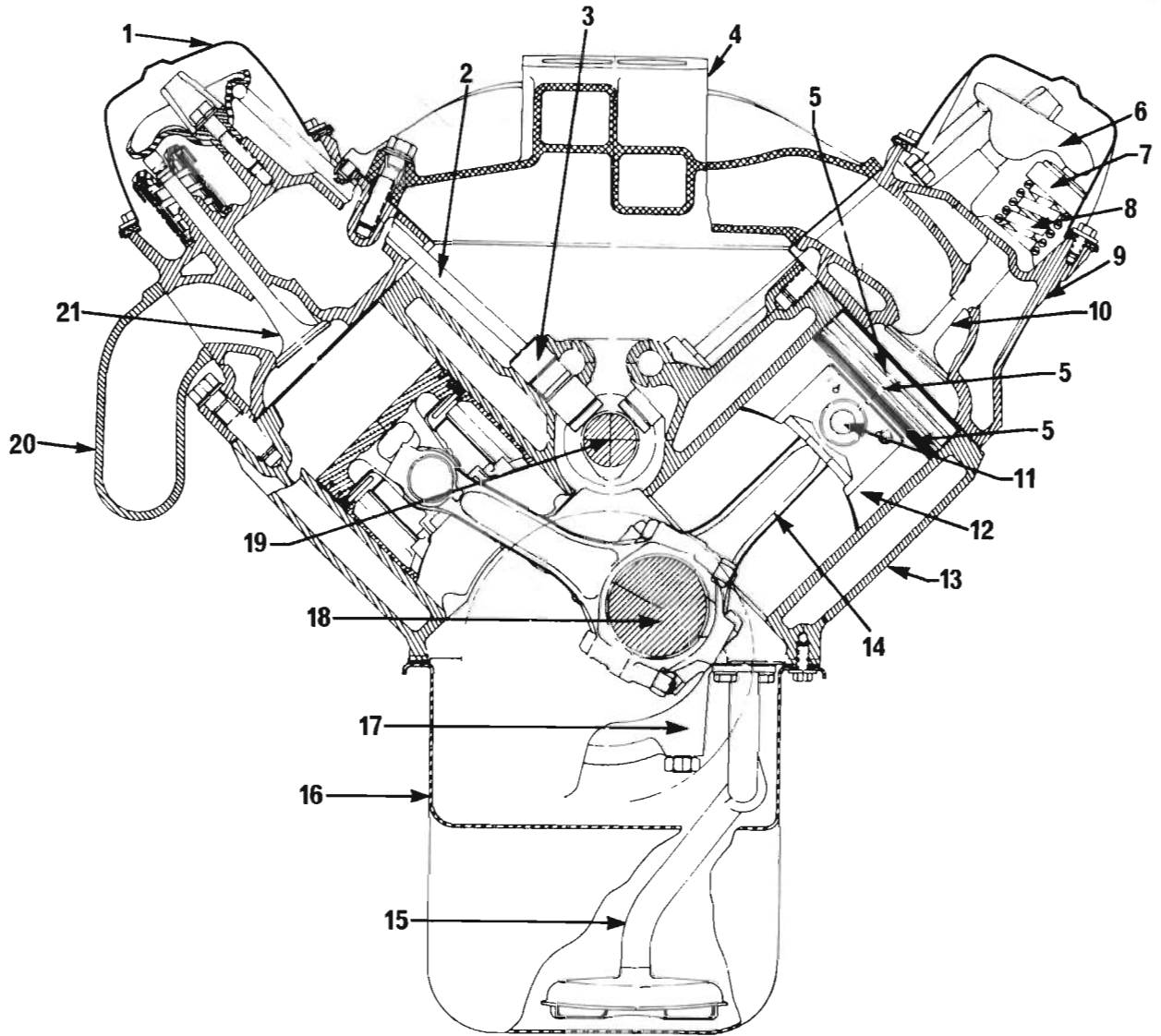
ILLUSTRATION OPPOSITE

ILLUS. REF. NO.	PART NAME	GROUP
1.	CAP ASSEMBLY – Oil filler	1.758
2.	BOLT – Cover	0.386
3.	REINFORCEMENT – Valve rocker cover bolt	0.413
4.	COVER – Valve rocker	0.386
5.	GASKET – Valve rocker cover	0.423
6.	BOLT – Pivot	0.429
7.	PIVOT – Valve rocker arm	0.429
8.	ARM – Valve rocker	0.333
9.	KEY – Valve stem	0.310
10.	CAP – Valve spring	0.309
11.	SHIELD – Valve stem	0.308
12.	SPRING – Valve	0.303
13.	HEAD – Cylinder	0.269
14.	GASKET – Manifold	3.270
15.	CLAMP – Manifold	3.273
16.	BOLT – Manifold to head	3.275
17.	STUD – Carburettor to manifold	3.288
18.	MANIFOLD – Inlet	3.265
19.	MANIFOLD – Exhaust	3.601
20.	STUD – Exhaust pipe to manifold	3.275
21.	PACKING – Exhaust pipe	3.611
22.	VALVE – Exhaust	0.297
23.	VALVE – Inlet	0.296
24.	GASKET – Cylinder head	0.289
25.	PLUG – Water jacket core	0.033
26.	GASKET – Thermostat housing	1.252
27.	HOUSING – Thermostat	1.252
28.	BOLT – Thermostat housing	1.251
29.	THERMOSTAT	1.246
30.	GASKET – Cylinder head water outlet	1.154
31.	OUTLET – Cylinder head water	1.153
32.	BOLT – Cylinder head water outlet	1.154
33.	BOLT – Cylinder head	0.293
34.	SWITCH – Thermo tell tale	0.277
35.	PLUG – Spark	2.270
36.	ROD – Valve push	0.426



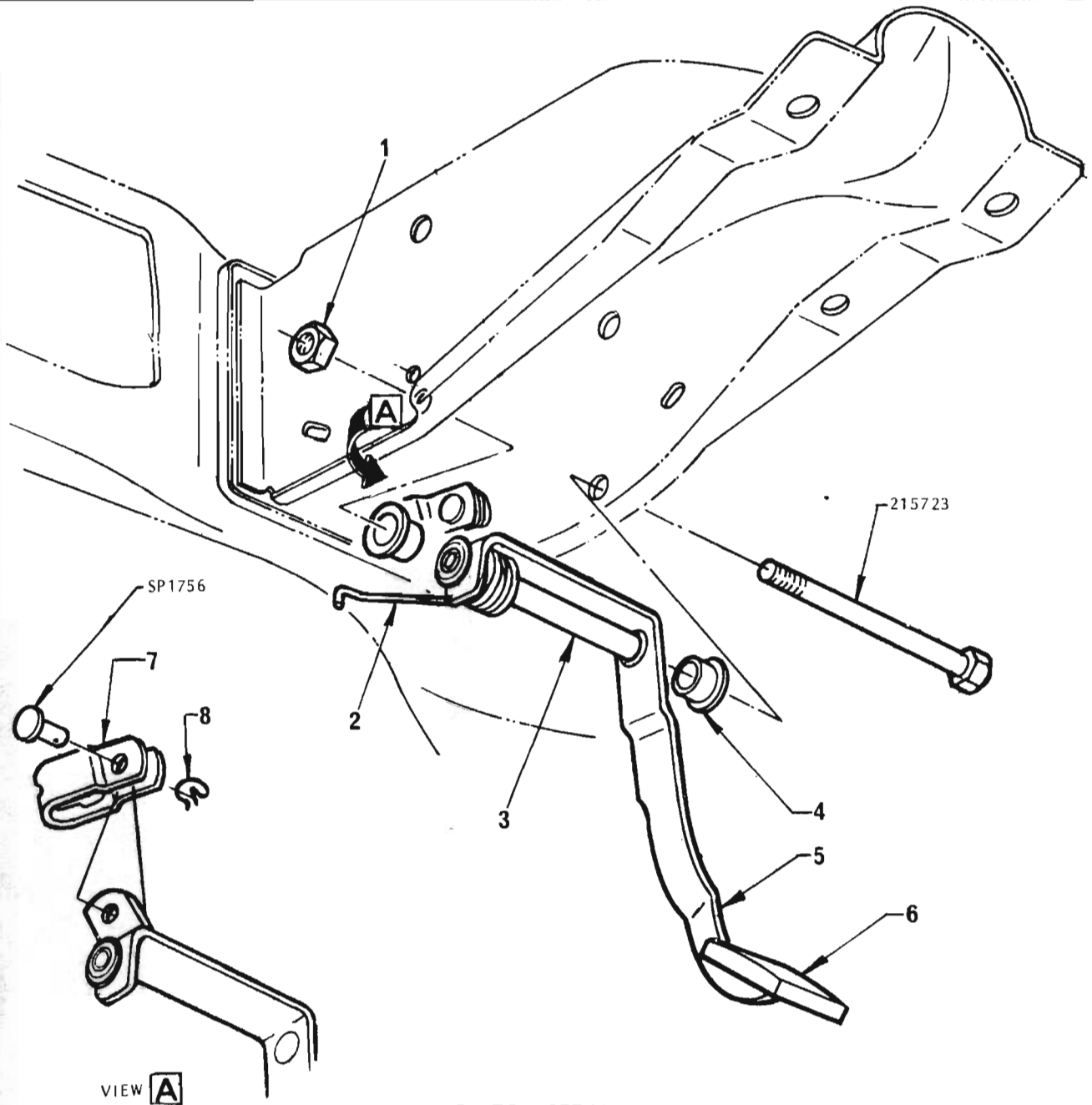
ENGINE ASSEMBLY
8 Cylinder

ILLUS. REF. NO.	PART NAME	GROUP	ILLUS. REF. NO.	PART NAME	GROUP
1.	DISTRIBUTOR ASSEMBLY	2.361	13.	DAMPER ASSEMBLY - Crankshaft	0.659
2.	WIRE UNIT - Spark plug	2.239	14.	SPROCKET - Crankshaft	0.728
3.	PLUG ASSEMBLY - Spark	2.270	15.	COVER - Front end	0.206
4.	COVER - Valve rocker	0.386	16.	CRANKSHAFT	0.646
5.	ROD - Valve push	0.426	17.	BLOCK ASSEMBLY	0.033
6.	THERMOSTAT ASSEMBLY	1.246	18.	SCREEN ASSEMBLY - With pipe	1.656
8.	CHAIN - Timing	0.724	19.	PLUG - Drain	1.453
9.	SPROCKET - Camshaft	0.736	20.	PAN ASSEMBLY - Oil	1.426
10.	PUMP ASSEMBLY - Water	1.069	21.	MANIFOLD ASSEMBLY - Exhaust	3.601
11.	ROTOR - Water pump	1.109	22.	COVER ASSEMBLY - Clutch	0.861
12.	CAMSHAFT	0.519	23.	HOUSING - Clutch	0.683



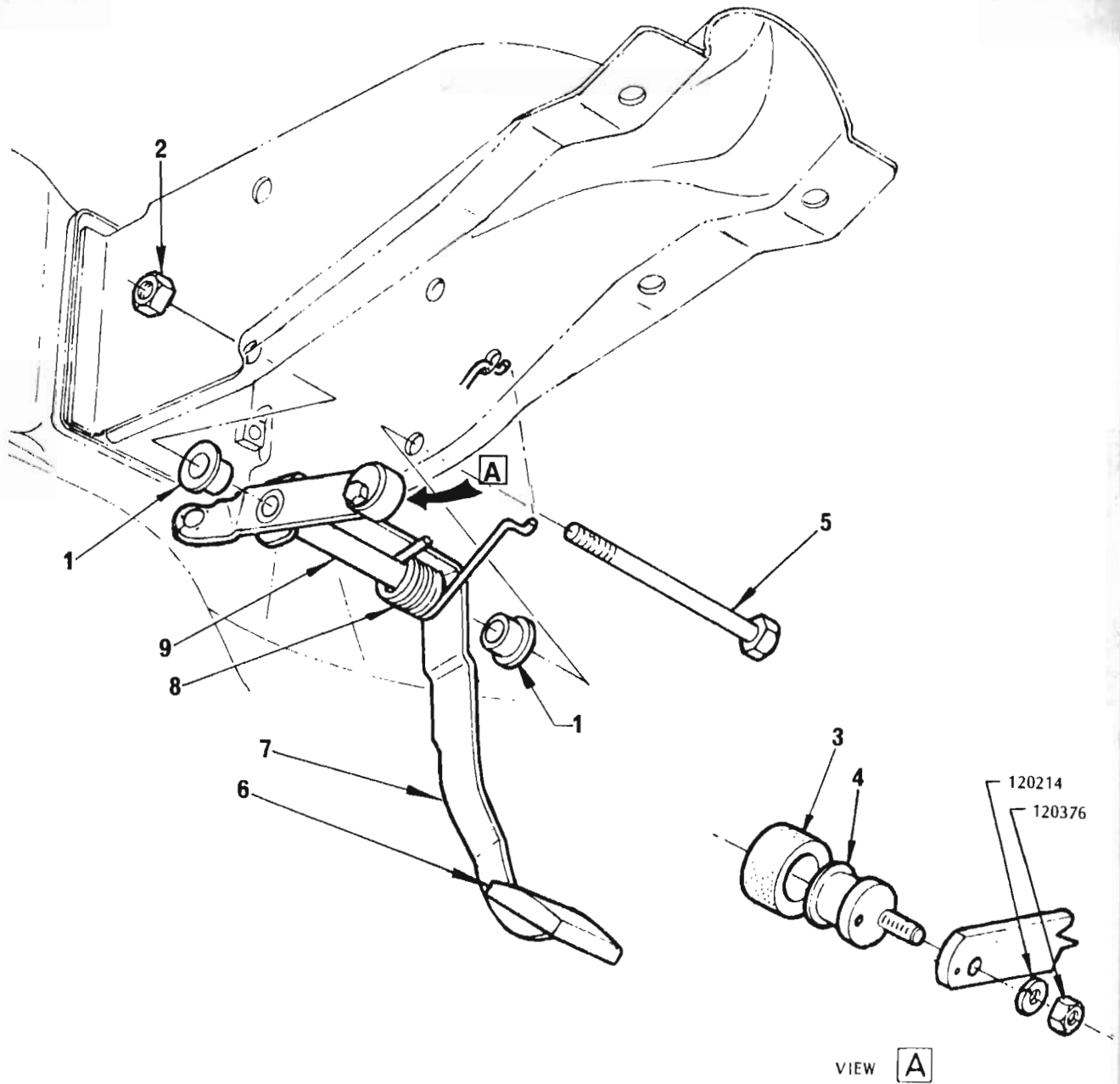
ENGINE ASSEMBLY
8 Cylinder Engine (End View)

ILLUS. REF. NO.	PART NAME	GROUP	ILLUS. REF. NO.	PART NAME	GROUP
1.	COVER – Valve rocker	0.386	12.	PISTON ASSEMBLY	0.629
2.	ROD – Valve push	0.426	13.	BLOCK ASSEMBLY	0.033
3.	LIFTER ASSEMBLY – Valve	0.459	14.	ROD ASSEMBLY – Connecting	0.603
4.	MANIFOLD – Inlet	3.265	15.	SCREEN ASSEMBLY – With pipe	1.656
5.	RING SET – Piston	0.643	16.	PAN ASSEMBLY – Oil	1.426
6.	ARM – Valve rocker	0.333	17.	CAP – Crankshaft bearing	0.095
7.	SHIELD – Valve stem	0.308	18.	CRANKSHAFT	0.646
8.	SPRING – Valve	0.303	19.	CAMSHAFT	0.519
9.	HEAD ASSEMBLY – Cylinder	0.269	20.	MANIFOLD ASSEMBLY – Exhaust	3.601
10.	VALVE – Inlet	0.296	21.	VALVE – Exhaust	0.297
11.	PIN – Piston	0.636			



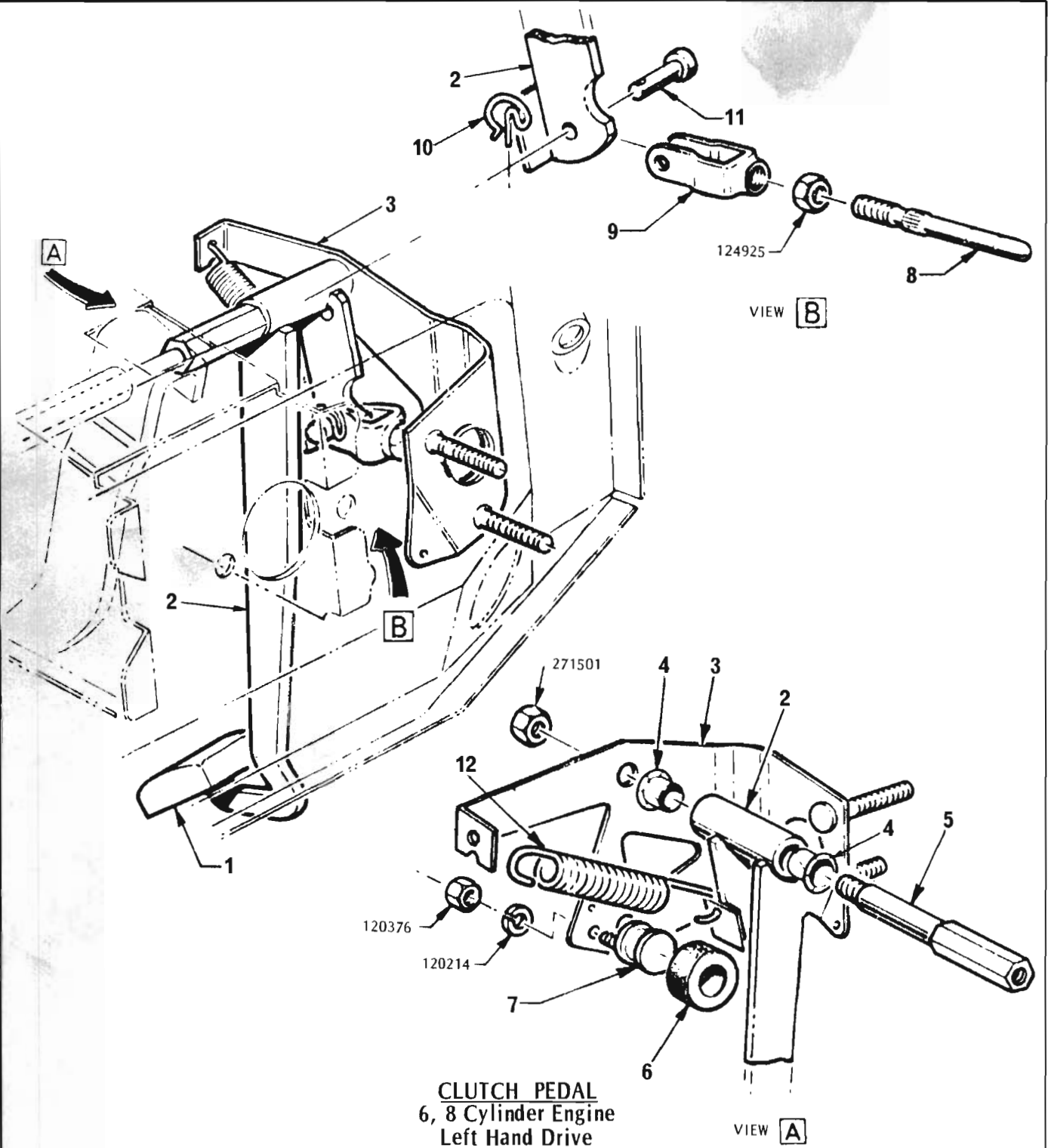
**CLUTCH PEDAL
4 CYLINDER ENGINE**

ILLUS. REF. NO.	PART NAME	GROUP
1.	NUT - Clutch pedal bolt	0.837
2.	SPRING - Pedal return	0.844
3.	SPACER - Pedal pivot	0.831
4.	BUSHING - Clutch pedal	0.831
5.	PEDAL ASSY. - Clutch	0.830
6.	PAD - Clutch pedal	0.830
7.	CLEVIS - Clutch pedal	0.787
8.	CLIP - Clevis pin	0.787

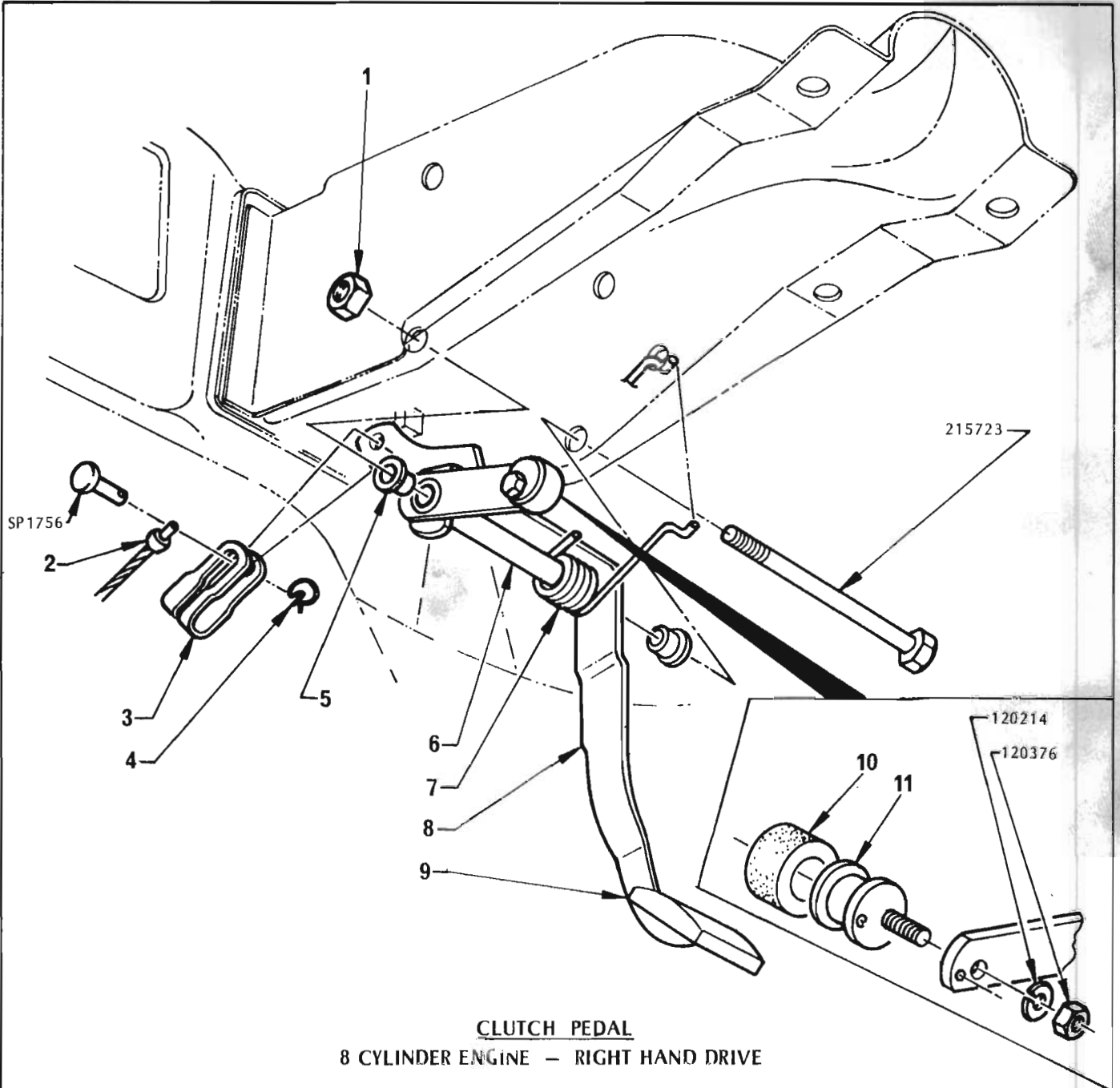


CLUTCH PEDAL
6 Cylinder Engine
Right Hand Drive

ILLUS. REF. NO.	PART NAME	GROUP	ILLUS. REF. NO.	PART NAME	GROUP
1.	BUSHING - Clutch pedal	0.831	6.	PAD - Clutch pedal	0.830
2.	NUT - Clutch pedal bolt	0.837	7.	PEDAL ASSY. - Clutch	0.830
3.	BUMPER - Clutch pedal	0.830	8.	SPRING - Pedal return	0.844
4.	ECCENTRIC ASSY. - Bumper	0.830	9.	SPACER - Pedal pivot	0.831
5.	BOLT - Pedal retaining	0.837			

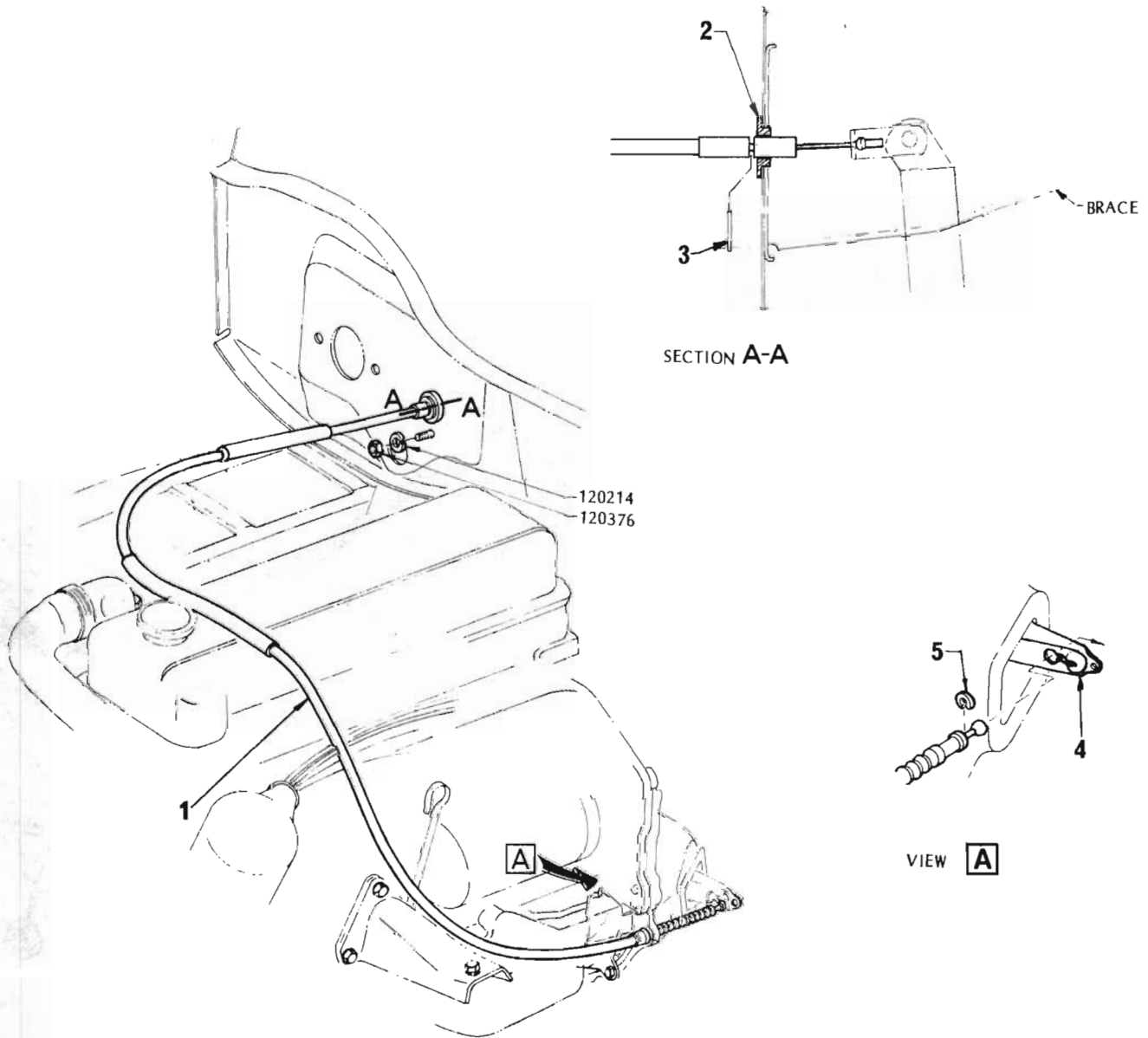


ILLUS. REF. NO.	PART NAME	GROUP	ILLUS. REF. NO.	PART NAME	GROUP
1.	PAD - Clutch pedal	0.830	7.	ECCENTRIC ASSY. - Bumper	0.830
2.	PEDAL ASSY. - Clutch	0.830	8.	ROD - Master cylinder push	0.918
3.	BRACKET - Pedal support	0.833	9.	CLEVIS - Push rod	0.920
4.	BUSHING - Pedal	0.831	10.	CLIP - Clevis pin	0.921
5.	SHAFT - Pedal pivot	0.837	11.	PIN - Clevis	0.921
6.	BUMPER - Clutch pedal	0.830	12.	SPRING - Pedal return	0.844



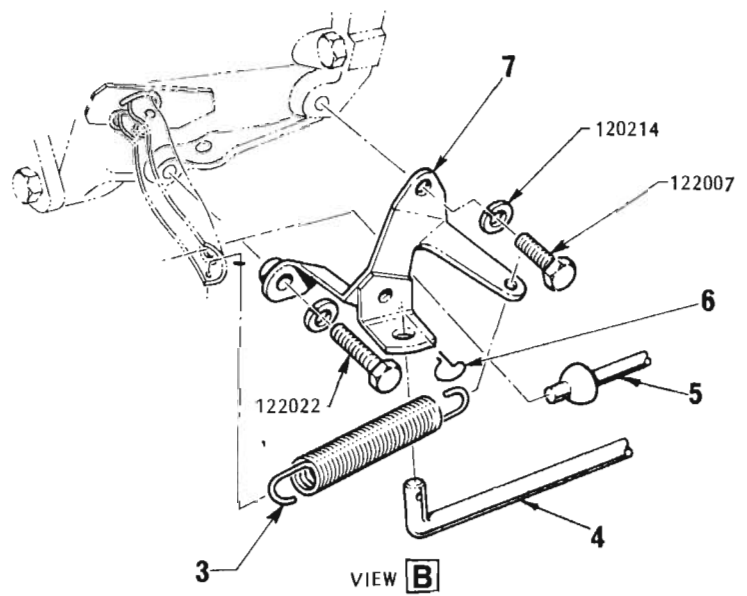
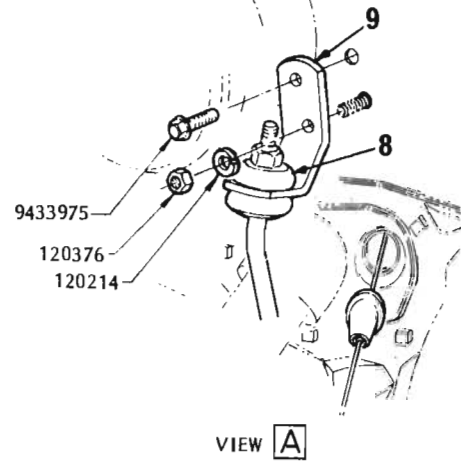
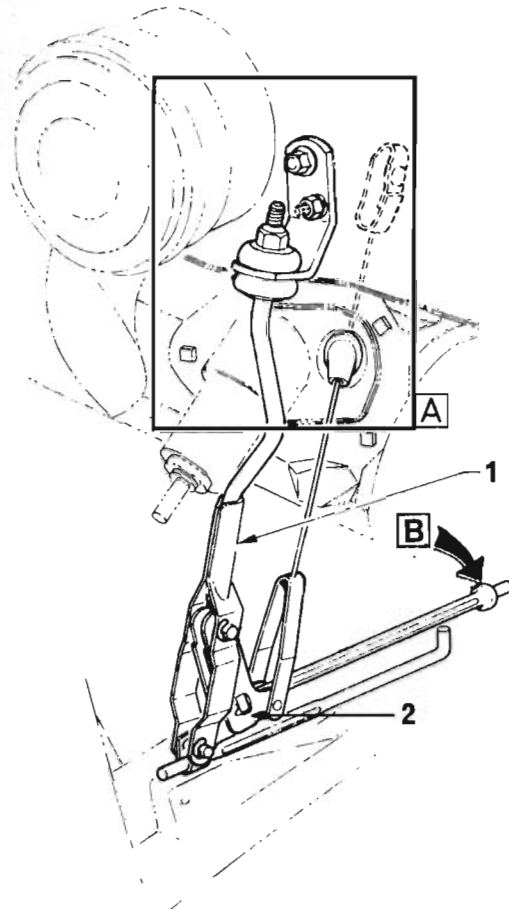
CLUTCH PEDAL
8 CYLINDER ENGINE — RIGHT HAND DRIVE

ILLUS. REF. NO.	PART NAME	GROUP
1.	NUT — Clutch pedal bolt	0.837
2.	CABLE ASSY. — Clutch pedal	0.787
3.	CLEVIS — Clutch pedal cable	0.787
4.	CLIP — Clevis pin	0.787
5.	BUSHING — Clutch pedal	0.831
6.	SPACER — Pedal pivot	0.831
7.	SPRING — Pedal return	0.844
8.	PEDAL ASSY. — Clutch	0.830
9.	PAD — Clutch pedal	0.830
10.	BUMPER — Clutch pedal	0.830
11.	ECCENTRIC ASSY. — Bumper	0.830



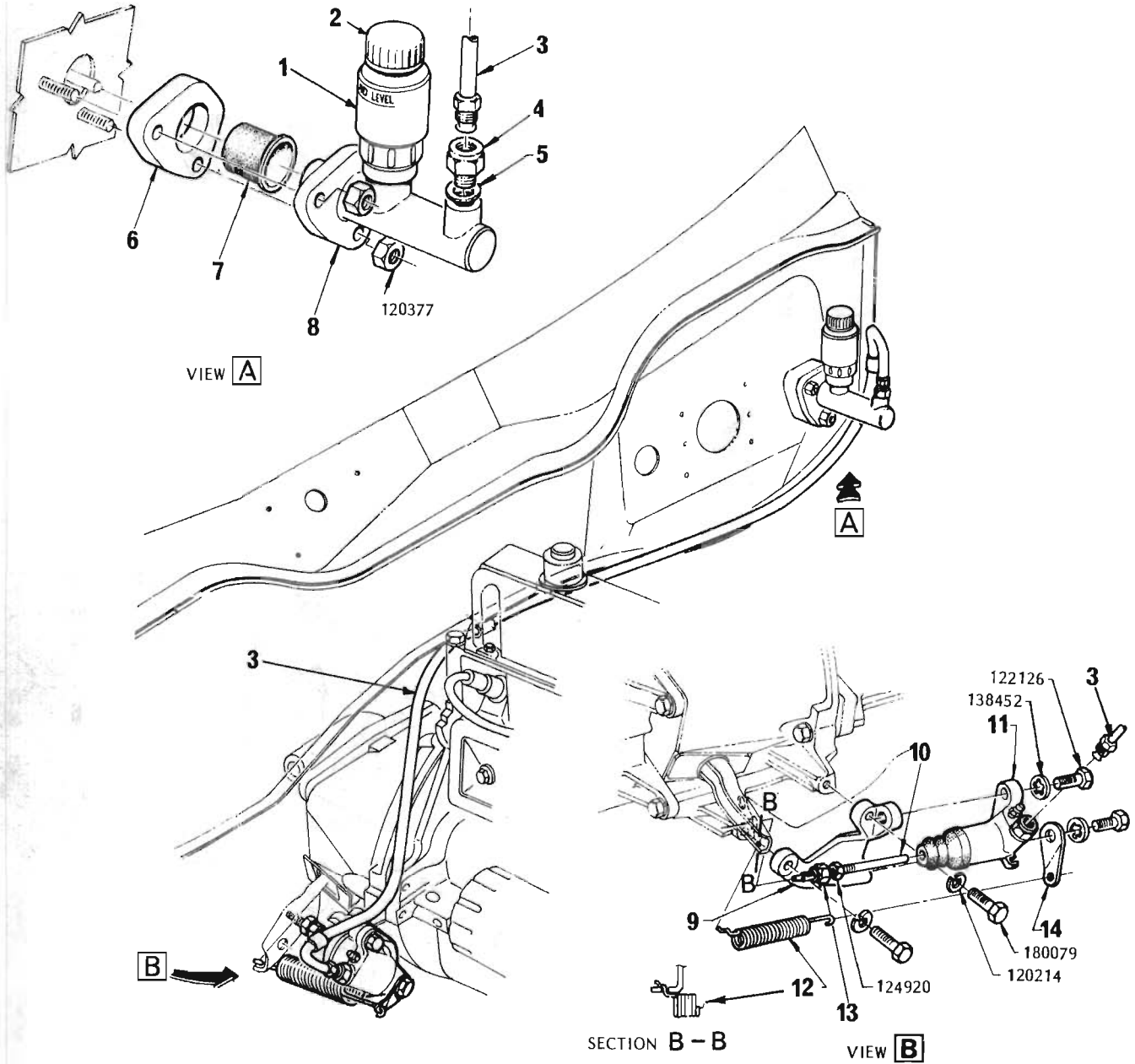
CLUTCH CONTROL
4 Cylinder Engine
Right Hand Drive

ILLUS. REF. NO.	PART NAME	GROUP	ILLUS. REF. NO.	PART NAME	GROUP
1.	CABLE ASSY. - Clutch control	0.787	4.	FORK ASSY. - Clutch	0.795
2.	INSULATOR - Cable to dash outer	0.787	5.	GROMMET - Cable to fork	0.787
3.	CIRCLIP - Insulator retainer	0.787			



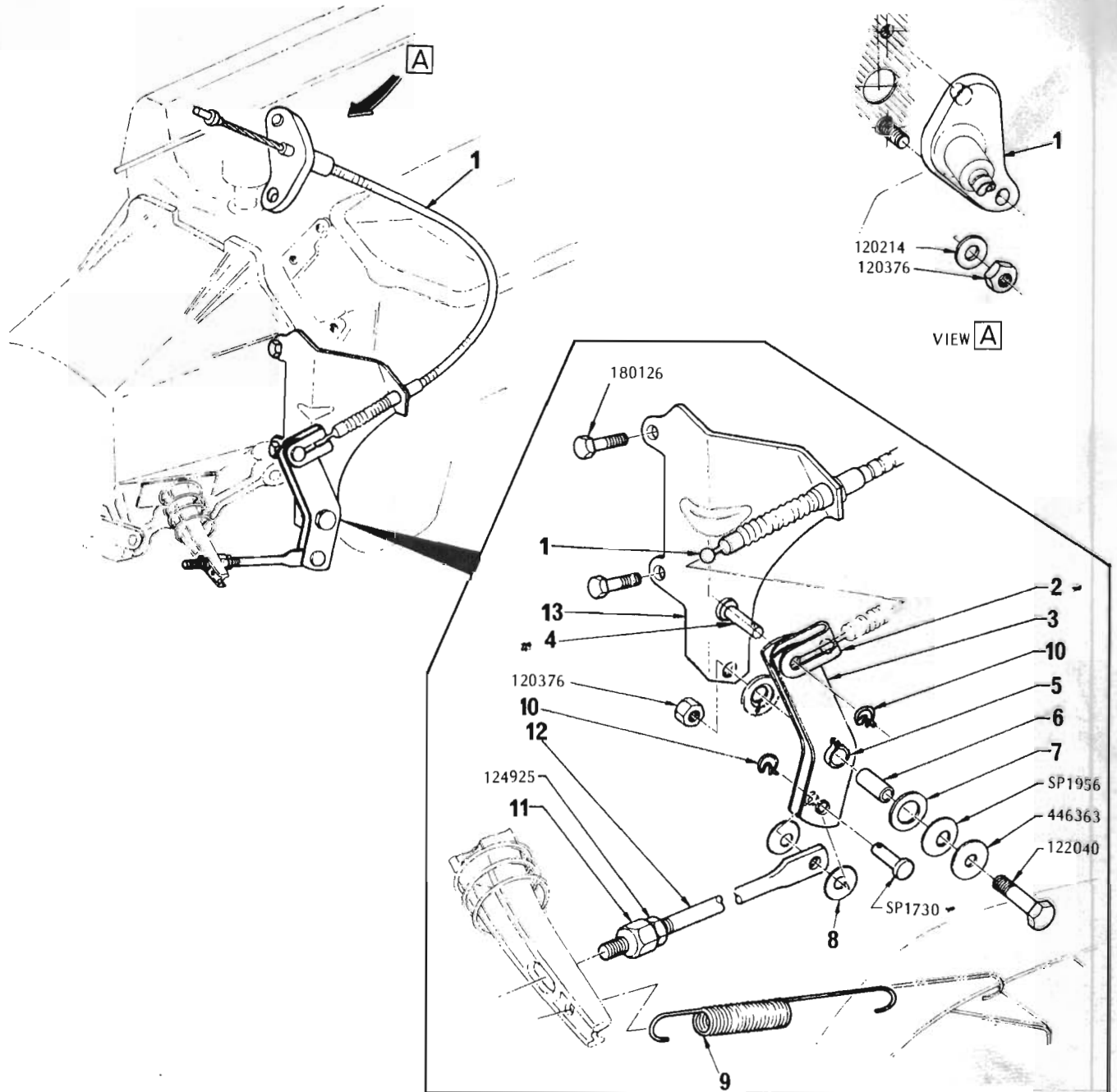
CLUTCH CONTROL
6 Cyl. Eng.
Right Hand Drive

ILLUS. REF. NO.	PART NAME	GROUP	ILLUS. REF. NO.	PART NAME	GROUP
1.	LEVER & STRUT ASSY. - Relay	0.852	6.	CLIP - Lever brace	0.852
2.	LEVER & PIN ASSY. - Relay	0.852	7.	BRACKET ASSY. - Brace	0.852
3.	SPRING - Lever return	0.844	8.	INSULATOR - Strut	0.852
4.	BRACE ASSY. - Lever	0.852	9.	BRACKET - Strut to dash	0.852
5.	ROD - Lever push	0.839			



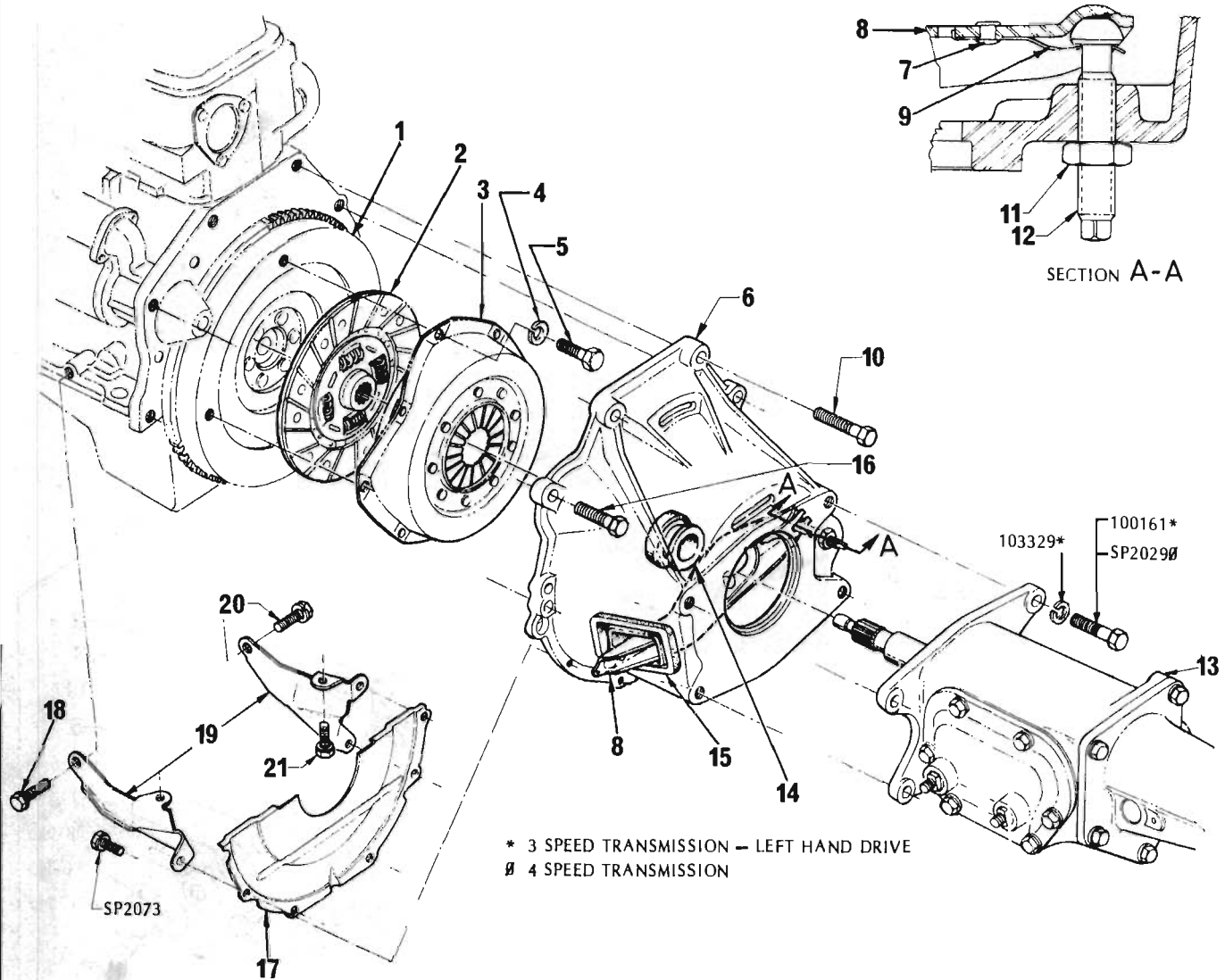
CLUTCH CONTROL
6 Cyl. Eng.
Left Hand Drive

ILLUS. REF. NO.	PART NAME	GROUP	ILLUS. REF. NO.	PART NAME	GROUP
1.	RESERVOIR - Master cylinder	0.906	8.	CYLINDER ASSY. - Clutch master	0.902
2.	CAP - Reservoir	0.907	9.	BRACKET - Actuating cylinder	0.934
3.	PIPE ASSY. - Master cylinder	0.929	10.	ROD - Lever push	0.839
4.	CONNECTOR - Pipe	0.929	11.	CYLINDER ASSY. - Actuating	0.934
5.	WASHER - Special	0.929	12.	SPRING - Clutch fork return	0.844
6.	SPACER - Mounting	0.903	13.	NUT - Adjusting	0.839
7.	SEAL - Push rod	0.924	14.	BRACKET - Fork return spring	0.846



CLUTCH CONTROL
8 Cylinder Engine
Right Hand Drive

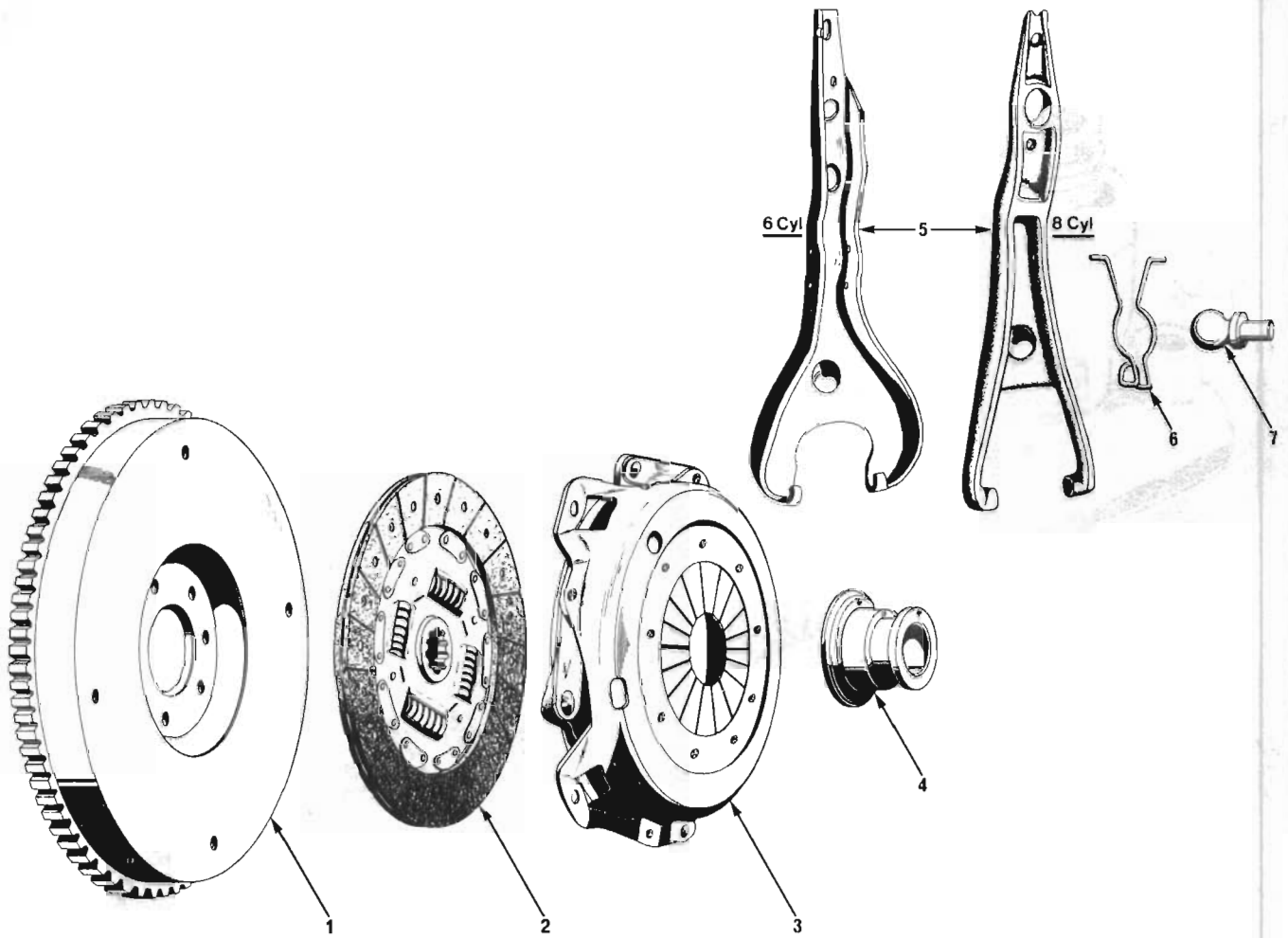
ILLUS. REF. NO.	PART NAME	GROUP	ILLUS. REF. NO.	PART NAME	GROUP
1.	CABLE ASSY. - Clutch control	0.787	8.	WASHER - Push rod spacer	0.839
2.	CLEVIS - Relay lever to cable	0.787	9.	SPRING - Clutch fork return	0.844
3.	LEVER - Relay	0.852	10.	CLIP - Lever brace	0.852
4.	PIN - Clevis to relay lever	0.787	11.	NUT - Adjusting	0.839
5.	BUSHING - Lever pivot	0.852	12.	ROD - Push	0.839
6.	SPACER - Pivot bushing	0.852	13.	BRACKET - Relay lever	0.852
7.	WASHER - Lever thrust	0.852			



* 3 SPEED TRANSMISSION — LEFT HAND DRIVE
 # 4 SPEED TRANSMISSION

FLYWHEEL, CLUTCH and HOUSING
4 Cyl. Eng.

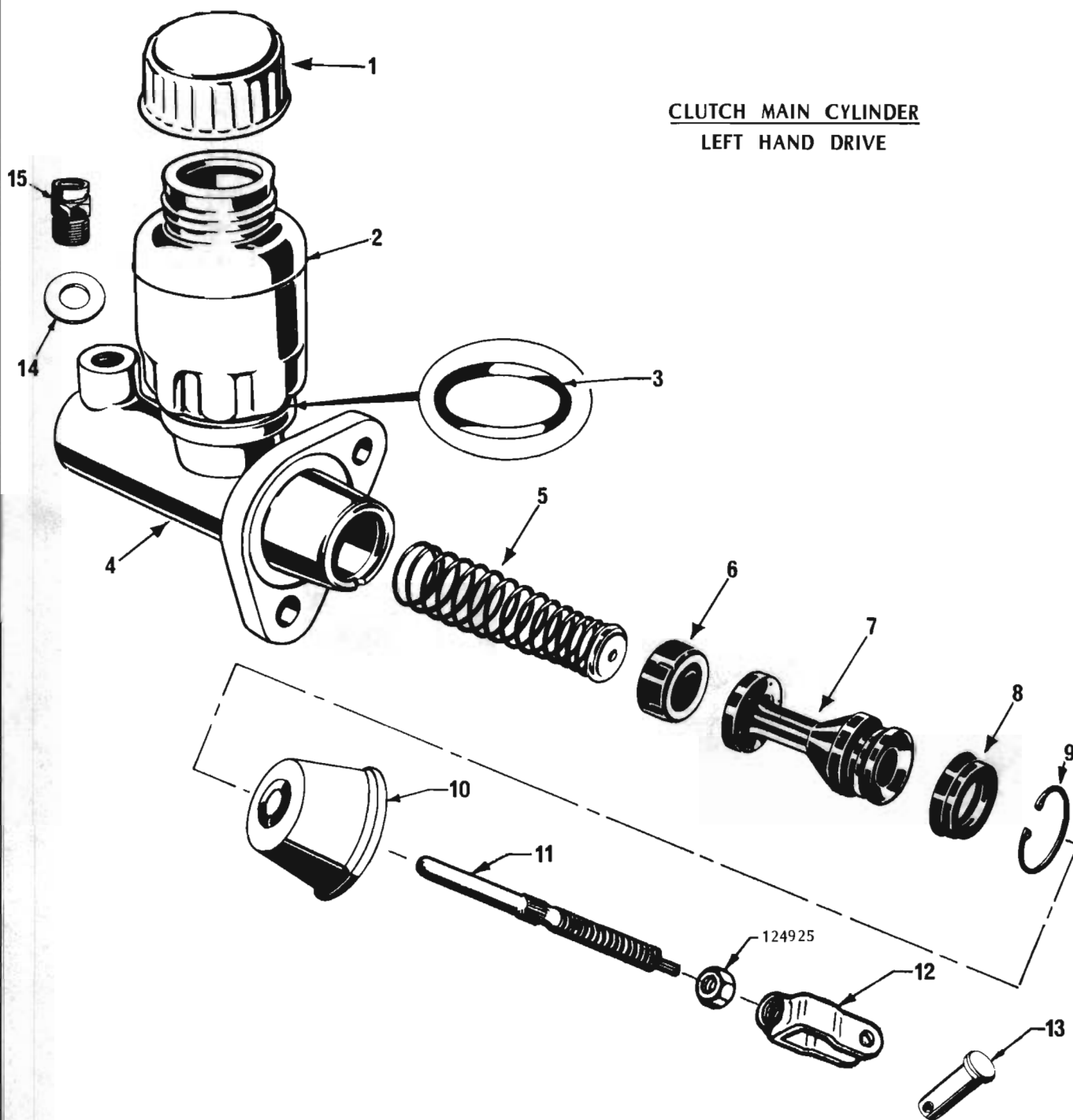
ILLUS. REF. NO.	PART NAME	GROUP	ILLUS. REF. NO.	PART NAME	GROUP
1.	FLYWHEEL & RING GEAR ASSY.	0.666	12.	STUD — Ball	0.796
2.	PLATE ASSEMBLY — Clutch driven	0.886	13.	TRANSMISSION ASSY.	4.003
3.	COVER & PRESSURE PLATE ASSY. — Clutch	0.861	14.	BEARING ASSY. — Clutch throwout	0.799
4.	WASHER — Lock 8,2mm	0.870	15.	BOOT — Clutch fork	0.797
5.	BOLT — Hex.hd. 8mm x 1,25 x 24mm	0.870	16.	BOLT — Hex.hd. 10mm X 1,5 x 25mm	0.683
6.	HOUSING — Clutch	0.683	17.	COVER — Clutch front	0.679
7.	RIVET — Stud spring	0.796	18.	BOLT — Hex.hd. 10mm x 1,5 x 18mm	0.683
8.	FORK ASSY. — Clutch	0.795	19.	BRACKET — Housing to cylinder block	0.683
9.	SPRING — Stud	0.796	20.	BOLT — Hex.hd. 10mm x 1,5 x 22mm	0.683
10.	BOLT — Hex.hd. 10mm x 1,5 x 35mm	0.683	21.	BOLT — Hex.hd. 8mm x 1,25 x 18mm	0.683
11.	NUT — Stud	0.796			



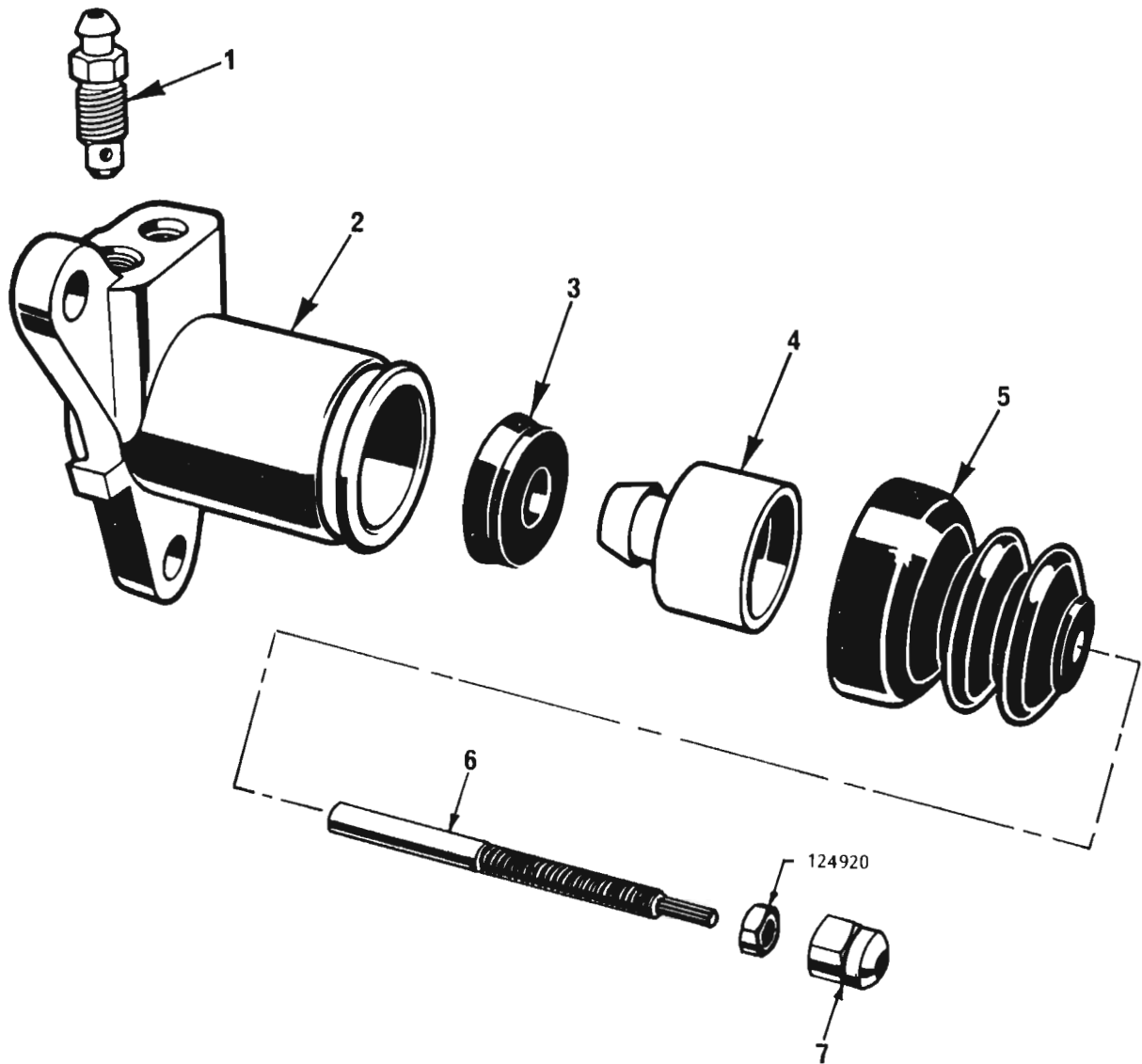
**FLYWHEEL and CLUTCH
6 & 8 Cylinder Engine**

ILLUS. REF. NO.	PART NAME	GROUP
1.	FLYWHEEL & RING GEAR ASSEMBLY	0.666
2.	PLATE ASSEMBLY - Clutch driven	0.886
3.	COVER & PRESSURE PLATE ASSEMBLY - Clutch	0.861
4.	BEARING ASSEMBLY	0.799
5.	LEVER - Clutch	0.795
6.	SPRING - Ball stud	0.796
7.	STUD - Clutch lever ball	0.796

CLUTCH MAIN CYLINDER
LEFT HAND DRIVE



ILLUS. REF. NO.	PART NAME	GROUP	ILLUS. REF. NO.	PART NAME	GROUP
1.	CAP - Reservoir	0.907	9.	RING - Lock	0.914
2.	RESERVOIR	0.906	10.	SEAL - Push rod	0.924
3.	SEAL - Reservoir	0.904	11.	ROD - Push	0.918
4.	BODY	0.902	12.	CLEVIS - Push rod	0.920
5.	SPRING ASSY.	0.913	13.	PIN - Clevis	0.921
6.	CUP - Piston	0.911	14.	WASHER - Special	0.929
7.	PISTON	0.910	15.	CONNECTOR - Pipe	0.929
8.	CUP - Piston secondary	0.912			



**CLUTCH ACTUATING CYLINDER
LEFT HAND DRIVE**

ILLUS. REF. NO.	PART NAME	GROUP
1.	VALVE - Bleeder	0.940
2.	BODY	N.S.S.
3.	CUP	0.937
4.	PISTON	0.936
5.	SEAL	0.935
6.	ROD - Push	0.839
7.	NUT - Adjusting	0.839

TORANA "LX" PARTS CATALOGUE

GROUP	DESCRIPTION	MODEL	SIDE	PART No.	QTY.
0.000	ENGINE ASSEMBLY – Complete (Service)				
	Current production engine assemblies are marketed through G.M. Allied Products Division Distributors				
0.010	GASKET SET – Engine				
	GASKET SET	4 Cyl. Eng.		1606272	1
0.027	MOUNTING, BRACKET – Power plant				
	MOUNTING ASSY. – Front	4 Cyl. Eng.	LH	684287	1
			RH	684232	1
	SCREW – Mounting	4 Cyl. Eng.		2008240	6
	NUT – Mounting to cross member	4 Cyl. Eng.		2066205	2
	WASHER – Mounting to cross member	4 Cyl. Eng.		684629	2
	WASHER – Mounting bracket 10.2mm x 16.1mm x 2.5mm	4 Cyl. Eng.		2074175	2
	WASHER – Mounting to bracket 10.5mm x 21mm x 1mm	4 Cyl. Eng.		2082108	2
	NUT – Mounting to bracket	4 Cyl. Eng.		2064340	2
	BRACKET – Front mounting	4 Cyl. Eng.	LH	684113	1
			RH	684112	1
	BRACKET – Mounting bracket interlock	4 Cyl. Eng.		9933099	2
	MOUNTING ASSY. – Front	6 Cyl. Eng.		9929659	2
	BOLT – Front mounting to cross member bracket	6 Cyl. Eng.		122340	2
	WASHER – Front mounting to cross member bracket, plain	6 Cyl. Eng.		SP2496	4
	WASHER – Front mounting to cross member bracket, lock	6 Cyl. Eng.		120383	2
	NUT – Front mounting to cross member bracket	6 Cyl. Eng.		271501	2
	BRACKET ASSY. – Front mounting	6 Cyl. Eng. exc. Air Cond.	LH	9929041	1
	BOLT – Bracket to engine	6 Cyl. Eng. exc. Air Cond.	LH	180144	2
	BOLT – Bracket to engine	6 Cyl. Eng. exc. Air Cond.	LH	180119	1
	BRACKET ASSY. – Front mounting	6 Cyl. Eng. Air Cond.	LH	2814771	1
	BOLT – Bracket to engine	6 Cyl. Eng. Air Cond.		7421673	2
	BOLT – Bracket to engine	6 Cyl. Eng. Air Cond.		180119	1
	BRACKET ASSY. – Front mounting	6 Cyl. Eng.	RH	9929042	1
	BOLT – Bracket to engine	6 Cyl. Eng.	RH	180119	3
	BOLT – Bracket to mounting	6 Cyl. Eng.		180081	4
	WASHER – Bracket to mounting, plain	6 Cyl. Eng.		3713379	4
	WASHER – Bracket to mounting	6 Cyl. Eng.		120214	4
	NUT – Bracket to mounting	6 Cyl. Eng.		120376	4
	BRACKET ASSY. – Front mounting	8 Cyl. Eng. exc. Air Cond.		2829963	2
	BRACKET ASSY. – Front mounting	8 Cyl. Eng. Air Cond.	LH	2829963	1
			RH	9937424	1
	BOLT – Bracket to engine	8 Cyl. Eng.		454943	2
	BOLT – Bracket to engine	8 Cyl. Eng.		180121	4
	SUPPORT ASSY. – Front	8 Cyl. Eng.		9930472	2
	WASHER – Support to bracket	8 Cyl. Eng.		120382	4
	NUT – Support to bracket	8 Cyl. Eng.		120369	4
	BOLT – Support to cross member bracket	8 Cyl. Eng.		122340	4
	WASHER – Support to cross member bracket, plain ..	8 Cyl. Eng.		SP2496	4
	WASHER – Support to cross member bracket, lock ..	8 Cyl. Eng.		120383	2
	NUT – Support to cross member bracket	8 Cyl. Eng.		271501	2
0.033	CYLINDER BLOCK				
	BLOCK COMPLETE – (Short Motor)	(M) 4 Cyl. Eng.		604133	1
	BLOCK COMPLETE – (Short Motor)	(A) 4 Cyl. Eng.		604134	1
	BLOCK COMPLETE – (Short Motor)	(M) 2250 Eng.		99C7607	1
	BLOCK COMPLETE – (Short Motor)	(A) 2250 Eng.		9937606	1
	BLOCK COMPLETE – (Short Motor)	(M) 2850 Eng. 8.3:1 C.R.		9937605	1
	BLOCK COMPLETE – (Short Motor)	(A) 2850 Eng. 8.3:1 C.R.		9937604	1
	BLOCK COMPLETE – (Short Motor)	(M) 2850 Eng. 9.4:1 C.R.		9937603	1
	BLOCK COMPLETE – (Short Motor)	(A) 2850 Eng. 9.4:1 C.R.		9937602	1
	BLOCK COMPLETE – (Short Motor)	(M) 3300 Eng. 7.8:1 C.R.		9936869	1

GROUP	DESCRIPTION	MODEL	SIDE	PART No.	QTY.
0.033	CYLINDER BLOCK (contd.)				
	BLOCK COMPLETE - (Short Motor)	(A) 3300 Eng. 7.8:1 C.R.		9936870	1
	BLOCK COMPLETE - (Short Motor)	(M) 3300 Eng. 9.4:1 C.R.		9936865	1
	BLOCK COMPLETE - (Short Motor)	(A) 3300 Eng. 9.4:1 C.R.		9936866	1
	BLOCK COMPLETE - (Short Motor)	4.2 Litre Eng.		9937869	1
	BLOCK COMPLETE - (Short Motor)	5 Litre Eng.		9937871	1
	BLOCK - Fitted with pistons	4 Cyl. Eng.		606125	1
	BLOCK - Fitted with pistons	2250 Eng.		9937610	1
	BLOCK - Fitted with pistons	2850 Eng. 8.3:1 C.R.		9937609	1
	BLOCK - Fitted with pistons	2850 Eng. 9.4:1 C.R.		9937608	1
	BLOCK - Fitted with pistons	3300 Eng. 7.8:1 C.R.		9936876	1
	BLOCK - Fitted with pistons	3300 Eng. 9.4:1 C.R.		9936874	1
	BLOCK - Fitted with pistons	4.2 Litre Eng.		9937872	1
	BLOCK - Fitted with pistons	5 Litre Eng.		9937874	1
	PLUG - Water jacket expansion, 22mm dia.	4 Cyl. Eng.		606576	3
	PLUG - Water jacket expansion, 24mm dia.	4 Cyl. Eng.		606577	3
	PLUG - Water drain	4 Cyl. Eng.		2060726	2
	PLUG - Water jacket screw	4 Cyl. Eng.		606681	1
	PIN - Dowel	4 Cyl. Eng.		2086216	2
	PLUG - Water jacket core cup 1 $\frac{3}{32}$ "	6 Cyl. Eng.		SP1652	2
	PLUG - Water jacket core rear 2 $\frac{1}{64}$ "	6 Cyl. Eng.		3789860	1
	PLUG - Water jacket core cup 2 $\frac{1}{16}$ "	6 Cyl. Eng.		SP1649	1
	PLUG - Water jacket core 1 $\frac{5}{16}$ "	6, 8 Cyl. Eng.		838538	3-8
	PLUG KIT - Expansion	6 Cyl. Eng.		7420345	1
	PLUG - Water jacket core 1 $\frac{1}{4}$ "	6 Cyl. Eng.		7401296	2
	PLUG - Drain	6, 8 Cyl. Eng.		444819	1-2
	PIN - Dowel, cyl. head and crankcase cover	6, 8 Cyl. Eng.		141216	A.R.
	PLUG - Water jacket core 1 $\frac{5}{16}$ "	8 Cyl. Eng.		SP1812	2
	PLUG - Rear locating hole - $\frac{5}{16}$ " cup	8 Cyl. Eng.		9427961	1
	NOTE - Block Complete - (Short Motor) - 4 Cyl. Eng. - includes: Crankshaft, Pistons, Piston Pins, Connecting Rods				
	NOTE - Block Complete - (Short Motor) - 6, 8 Cyl. Eng. - includes: Crankshaft, Camshaft, Timing Gears, Pistons, Piston Pins, Connecting Rods, Front Cover Plate.				
0.056	BOLT - Crankshaft bearing cap				
	BOLT - Bearing cap	4 Cyl. Eng.		610479	10
	BOLT - Bearing cap	6 Cyl. Eng.		7420106	14
	BOLT - Bearing cap	8 Cyl. Eng.		7448829	10
0.094	BEARING SET - Crankshaft				
	BEARING SET - Standard	4 Cyl. Eng.		1606089	1
	BEARING SET - .025mm U/S	4 Cyl. Eng.		1606090	1
	BEARING SET - 0.5mm U/S	4 Cyl. Eng.		1606091	1
	BEARING SET - 0.75mm U/S	4 Cyl. Eng.		1606092	1
	BEARING SET - 1.0mm U/S	4 Cyl. Eng.		1606093	1
	BEARING SET - Standard	6 Cyl. Eng.		2817581	1
	BEARING SET - .001" U/S	6 Cyl. Eng.		2817582	1
	BEARING SET - .002" U/S	6 Cyl. Eng.		2817583	1
	BEARING SET - .010" U/S	6 Cyl. Eng.		2817585	1
	BEARING SET - .020" U/S	6 Cyl. Eng.		2817586	1
	BEARING SET - .030" U/S	6 Cyl. Eng.		2817587	1
	BEARING SET - Standard	8 Cyl. Eng.		2806384	1
	BEARING SET - .001" U/S	8 Cyl. Eng.		2806385	1
	BEARING SET - .002" U/S	8 Cyl. Eng.		2806386	1
	BEARING SET - .010" U/S	8 Cyl. Eng.		2806388	1
	BEARING SET - .020" U/S	8 Cyl. Eng.		2806389	1
	BEARING SET - .030" U/S	8 Cyl. Eng.		2806390	1
0.095	CAP - Crankshaft front bearing				
	CAP	6 Cyl. Eng.		2819462	1
	CAP	8 Cyl. Eng.		2811792	1

TORANA "LX" PARTS CATALOGUE

GROUP	DESCRIPTION	MODEL	SIDE	PART No.	QTY.
0.096	BEARING UNIT – Crankshaft front				
	BEARING UNIT – Standard	4 Cyl. Eng.		618036	1
	BEARING UNIT – 0.25mm U/S	4 Cyl. Eng.		618161	1
	BEARING UNIT – 0.5mm U/S	4 Cyl. Eng.		618310	1
	BEARING UNIT – Standard	6 Cyl. Eng.		2817588	1
	BEARING UNIT – .001" U/S	6 Cyl. Eng.		2817589	1
	BEARING UNIT – .002" U/S	6 Cyl. Eng.		2817590	1
	BEARING UNIT – .010" U/S	6 Cyl. Eng.		2817592	1
	BEARING UNIT – .020" U/S	6 Cyl. Eng.		2817593	1
	BEARING UNIT – .030" U/S	6 Cyl. Eng.		2817594	1
	BEARING UNIT – Standard	8 Cyl. Eng.		2806368	1
	BEARING UNIT – .001" U/S	8 Cyl. Eng.		2806369	1
	BEARING UNIT – .002" U/S	8 Cyl. Eng.		2806370	1
	BEARING UNIT – .010" U/S	8 Cyl. Eng.		2806372	1
	BEARING UNIT – .020" U/S	8 Cyl. Eng.		2806373	1
	BEARING UNIT – .030" U/S	8 Cyl. Eng.		2806374	1
0.098	CAP – Crankshaft front intermediate bearing				
	CAP	6 Cyl. Eng.		2819462	2
	CAP	8 Cyl. Eng.		2811792	1
0.099	BEARING UNIT – Crankshaft front intermediate				
	BEARING UNIT – Standard	4 Cyl. Eng.		618036	1
	BEARING UNIT – 0.25mm U/S	4 Cyl. Eng.		618161	1
	BEARING UNIT – 0.5mm U/S	4 Cyl. Eng.		618310	1
	BEARING UNIT – Standard	6 Cyl. Eng.		2817588	2
	BEARING UNIT – .001" U/S	6 Cyl. Eng.		2817589	2
	BEARING UNIT – .002" U/S	6 Cyl. Eng.		2817590	2
	BEARING UNIT – .010" U/S	6 Cyl. Eng.		2817592	2
	BEARING UNIT – .020" U/S	6 Cyl. Eng.		2817593	2
	BEARING UNIT – .030" U/S	6 Cyl. Eng.		2817594	2
	BEARING UNIT – Standard	8 Cyl. Eng.		2806368	1
	BEARING UNIT – .001" U/S	8 Cyl. Eng.		2806369	1
	BEARING UNIT – .002" U/S	8 Cyl. Eng.		2806370	1
	BEARING UNIT – .010" U/S	8 Cyl. Eng.		2806372	1
	BEARING UNIT – .020" U/S	8 Cyl. Eng.		2806373	1
	BEARING UNIT – .030" U/S	8 Cyl. Eng.		2806374	1
0.100	CAP – Crankshaft centre bearing				
	CAP	6 Cyl. Eng.		2819462	1
	CAP	8 Cyl. Eng.		2811792	1
0.101	BEARING, BEARING UNIT – Crankshaft centre				
	BEARING UNIT – Standard	4 Cyl. Eng.		618036	1
	BEARING UNIT – 0.25mm U/S	4 Cyl. Eng.		618161	1
	BEARING UNIT – 0.5mm U/S	4 Cyl. Eng.		618310	1
	BEARING UNIT – Standard	6 Cyl. Eng.		2817588	1
	BEARING UNIT – .001" U/S	6 Cyl. Eng.		2817589	1
	BEARING UNIT – .002" U/S	6 Cyl. Eng.		2817590	1
	BEARING UNIT – .010" U/S	6 Cyl. Eng.		2817592	1
	BEARING UNIT – .020" U/S	6 Cyl. Eng.		2817593	1
	BEARING UNIT – .030" U/S	6 Cyl. Eng.		2817594	1
	BEARING UNIT – Standard	8 Cyl. Eng.		2806368	1
	BEARING UNIT – .001" U/S	8 Cyl. Eng.		2806369	1
	BEARING UNIT – .002" U/S	8 Cyl. Eng.		2806370	1
	BEARING UNIT – .010" U/S	8 Cyl. Eng.		2806372	1
	BEARING UNIT – .020" U/S	8 Cyl. Eng.		2806373	1
	BEARING UNIT – .030" U/S	8 Cyl. Eng.		2806374	1
0.102	CAP – Crankshaft rear intermediate bearing				
	CAP	6 Cyl. Eng.		2819462	2
	CAP	8 Cyl. Eng.		2811792	1

TORANA "LX" PARTS CATALOGUE

GROUP	DESCRIPTION	MODEL	SIDE	PART No.	QTY.
0.103	BEARING UNIT – Crankshaft rear intermediate				
	BEARING UNIT - Standard	4 Cyl. Eng.		618036	1
	BEARING UNIT - 0.25mm U/S	4 Cyl. Eng.		618161	1
	BEARING UNIT - 0.5mm U/S	4 Cyl. Eng.		618310	1
	BEARING UNIT - Standard	6 Cyl. Eng.		2817588	2
	BEARING UNIT - .001" U/S	6 Cyl. Eng.		2817589	2
	BEARING UNIT - .002" U/S	6 Cyl. Eng.		2817590	2
	BEARING UNIT - .010" U/S	6 Cyl. Eng.		2817592	2
	BEARING UNIT - .020" U/S	6 Cyl. Eng.		2817593	2
	BEARING UNIT - .030" U/S	6 Cyl. Eng.		2817594	2
	BEARING UNIT - Standard	8 Cyl. Eng.		2806368	1
	BEARING UNIT - .001" U/S	8 Cyl. Eng.		2806369	1
	BEARING UNIT - .002" U/S	8 Cyl. Eng.		2806370	1
	BEARING UNIT - .010" U/S	8 Cyl. Eng.		2806372	1
	BEARING UNIT - .020" U/S	8 Cyl. Eng.		2806373	1
	BEARING UNIT - .030" U/S	8 Cyl. Eng.		2806374	1
0.105	CAP – Crankshaft rear bearing				
	CAP - (Rope type seal)	6 Cyl. Eng.		9937267	1
	CAP - (Rope type seal)	8 Cyl. Eng.		9937924	1
0.106	BEARING, BEARING UNIT – Crankshaft rear				
	BEARING UNIT - Standard	4 Cyl. Eng.		618710	1
	BEARING UNIT - 0.25mm U/S	4 Cyl. Eng.		618735	1
	BEARING UNIT - 0.5mm U/S	4 Cyl. Eng.		618760	1
	BEARING UNIT - Standard	6 Cyl. Eng.		2817595	1
	BEARING UNIT - .001" U/S	6 Cyl. Eng.		2817596	1
	BEARING UNIT - .002" U/S	6 Cyl. Eng.		2817597	1
	BEARING UNIT - .010" U/S	6 Cyl. Eng.		2817599	1
	BEARING UNIT - .020" U/S	6 Cyl. Eng.		2817600	1
	BEARING UNIT - .030" U/S	6 Cyl. Eng.		2817601	1
	BEARING UNIT - Standard	8 Cyl. Eng.		2806375	1
	BEARING UNIT - .001" U/S	8 Cyl. Eng.		2806376	1
	BEARING UNIT - .002" U/S	8 Cyl. Eng.		2806377	1
	BEARING UNIT - .010" U/S	8 Cyl. Eng.		2806379	1
	BEARING UNIT - .020" U/S	8 Cyl. Eng.		2806380	1
	BEARING UNIT - .030" U/S	8 Cyl. Eng.		2806381	1
0.137	SEAL – Crankshaft bearing oil				
	SEAL	4 Cyl. Eng.		614809	1
	SEAL - Rope type	6, 8 Cyl. Eng.		9929162	2
0.205	COVER – Crankcase front end				
	COVER ASSY.	4 Cyl. Eng.		638091	1
	SCREW - Cover to cylinder block	4 Cyl. Eng.		638404	1
	WASHER - Spring lock, 7.1mm	4 Cyl. Eng.		2074125	1
	NUT - Hex., 7mm x 1	4 Cyl. Eng.		2064201	1
	BOLT - Hex. hd. with spring washer, 7mm x 1 x 40mm	4 Cyl. Eng.		2018075	4
	BOLT - Hex. hd. with spring washer, 7mm x 1 x 68mm	4 Cyl. Eng.		2018076	4
	BOLT - Hex. hd. with spring washer 7mm x 1 x 20mm	4 Cyl. Eng.		2018078	3
	BOLT - Hex. hd. with spring washer 7mm x 1 x 72mm	4 Cyl. Eng.		2018077	3
	SCREW - Hex. socket set 8mm x 1.25 x 11mm	4 Cyl. Eng.		2024057	2
	PIN - Straight 8mm x 16mm	4 Cyl. Eng.		2086212	2
	COVER ASSEMBLY	6 Cyl. Eng.		2814753	1
	BOLT - Crankcase front cover	6 Cyl. Eng.		7427738	6
	PIN - Cover locating, dowel $\frac{3}{16}$ " x $\frac{9}{16}$ "	6 Cyl. Eng.		141216	2
	COVER ASSY.	8 Cyl. Eng.		9938739	1
	BOLT - Crankcase front cover	8 Cyl. Eng.		9427637	2
	BOLT - Crankcase front cover	8 Cyl. Eng.		122083	1
	PIN - Cover locating, dowel $\frac{1}{4}$ " x $\frac{7}{8}$ "	8 Cyl. Eng.		141192	2

TORANA "LX" PARTS CATALOGUE

GROUP	DESCRIPTION	MODEL	SIDE	PART No.	QTY.
0.207	GASKET – Crankcase front end cover				
	GASKET	4 Cyl. Eng.	LH	638231	1
			RH	638232	1
	GASKET	6 Cyl. Eng.		7420004	1
	GASKET	8 Cyl. Eng.		7434717	1
0.209	SEAL, PLUG – Crankcase front end cover oil				
	SEAL - 60mm x 45mm x 10mm	4 Cyl. Eng.		638185	1
	PLUG - 17.2mm x 12mm x 5.5mm	4 Cyl. Eng.		638182	1
	PLUG - Expansion	4 Cyl. Eng.		606565	2
	SEAL	6 Cyl. Eng.		3835946	1
	SEAL	8 Cyl. Eng.		3980267	1
0.269	HEAD – Cylinder				
	HEAD	4 Cyl. Eng.		607033	1
	COVER - Side	4 Cyl. Eng.		607480	1
	GASKET - Side cover	4 Cyl. Eng.		607500	1
	BOLT - Side cover to cylinder head, hex. hd. with spring washer 6mm x 1 x 12mm	4 Cyl. Eng.		2000118	2
	HEAD COMPLETE	2250 Eng. 9.2:1 C.R.		2819454	1
	HEAD COMPLETE	2250 Eng. 7.8:1 C.R.		2819457	1
	HEAD COMPLETE	2850 Eng. 9.4:1 C.R.		2819454	1
	HEAD COMPLETE	2850 Eng. 8.3:1 C.R.		2819457	1
	HEAD COMPLETE	3300 Eng.		2819457	1
	HEAD COMPLETE	8 Cyl. Eng.		2812173	2
	HEAD	2250 Eng. 9.2:1 C.R.		2823850	1
	HEAD	2250 Eng. 7.8:1 C.R.		2823851	1
	HEAD	2850 Eng. 9.4:1 C.R.		2823850	1
	HEAD	2850 Eng. 8.3:1 C.R.		2823851	1
	HEAD	3300 Eng.		2823851	1
	HEAD	8 Cyl. Eng.		2812174	2
	PLUG - Water jacket core $\frac{3}{4}$ "	6 Cyl. Eng.		7420138	3
	PLUG - Water jacket core cup $\frac{13}{16}$ "	6 Cyl. Eng.		SP1650	3
0.277	SWITCH, SENDER UNIT – Thermo				
	SWITCH - Thermo tell tale (warning lamp)	4 Cyl. Eng.		1239230	1
	SWITCH - Thermo tell tale (warning lamp)	6, 8 Cyl. Eng.		7438087	1
	SENDER UNIT - Engine (gauges)	ALL		9932443	1
	BUSHING - Engine sender unit (gauges)	4 Cyl. Eng.		SP2434	1
	ADAPTOR - Engine sender unit (gauges)	6, 8 Cyl. Eng.		7438477	1
0.289	GASKET SET, GASKET – Cylinder head				
	GASKET SET	4 Cyl. Eng.		1606346	1
	GASKET	4 Cyl. Eng.		607455	1
	GASKET SET	2250 Eng.		2812760	1
	GASKET	2250 Eng.		7425993	1
	GASKET SET	2850 Eng.		2819458	1
	GASKET	2850 Eng.		2810692	1
	GASKET SET	3300 Eng.		7430270	1
	GASKET	3300 Eng.		7429473	1
	GASKET SET	4.2 Litre Eng.		2811056	1
	GASKET	4.2 Litre Eng.		7434812	2
	GASKET SET	5 Litre Eng.		2811057	1
	GASKET	5 Litre Eng.		7438960	2
0.293	BOLT – Cylinder head				
	BOLT - 12mm x 1.5 x 60mm	4 Cyl. Eng.		2048276	5
	BOLT - 12mm x 1.5 x 92mm	4 Cyl. Eng.		2048277	5
	BOLT	6 Cyl. Eng.		7420137	14
	BOLT - $1\frac{1}{8}$ " long	8 Cyl. Eng.		7434808	10
	BOLT - $3\frac{1}{8}$ " long	8 Cyl. Eng.		7434809	4
	BOLT - $4\frac{1}{4}$ " long	8 Cyl. Eng.		7434810	10

TORANA "LX" PARTS CATALOGUE

GROUP	DESCRIPTION	MODEL	SIDE	PART No.	QTY.
0.296	VALVE – Inlet				
	VALVE - Standard	4 Cyl. Eng.		642718	4
	VALVE - 0.075mm O/S	4 Cyl. Eng.		642719	4
	VALVE - 0.15mm O/S	4 Cyl. Eng.		642720	4
	VALVE - 0.30mm O/S	4 Cyl. Eng.		642721	4
	VALVE - Standard	6 Cyl. Eng.		7420071	6
	VALVE - .0015" O/S	6 Cyl. Eng.		7427731	6
	VALVE - .003" O/S	6 Cyl. Eng.		7420172	6
	VALVE - .015" O/S	6 Cyl. Eng.		7420173	6
	VALVE - .030" O/S	6 Cyl. Eng.		7420174	6
	VALVE - Standard	8 Cyl. Eng.		7434767	8
	VALVE - .0015" O/S	8 Cyl. Eng.		7434814	8
	VALVE - .003" O/S	8 Cyl. Eng.		7434815	8
	VALVE - .015" O/S	8 Cyl. Eng.		7434816	8
	VALVE - .030" O/S	8 Cyl. Eng.		7434817	8
0.297	VALVE – Exhaust				
	VALVE - Standard	4 Cyl. Eng.		642845	4
	VALVE - 0.075mm O/S	4 Cyl. Eng.		642846	4
	VALVE - 0.15mm O/S	4 Cyl. Eng.		642847	4
	VALVE - 0.30mm O/S	4 Cyl. Eng.		642848	4
	VALVE - Standard	6 Cyl. Eng.		7420072	6
	VALVE - .0015" O/S	6 Cyl. Eng.		7427732	6
	VALVE - .003" O/S	6 Cyl. Eng.		7420175	6
	VALVE - .015" O/S	6 Cyl. Eng.		7420176	6
	VALVE - .030" O/S	6 Cyl. Eng.		7420177	6
	VALVE - Standard	8 Cyl. Eng.		7434768	8
	VALVE - .0015" O/S	8 Cyl. Eng.		7434818	8
	VALVE - .003" O/S	8 Cyl. Eng.		7434819	8
	VALVE - .015" O/S	8 Cyl. Eng.		7434820	8
	VALVE - .030" O/S	8 Cyl. Eng.		7434821	8
0.303	SPRING – Valve				
	SPRING - Inlet	4 Cyl. Eng.		642258	4
	SPRING - Exhaust	4 Cyl. Eng.		642269	4
	SPRING	6 Cyl. Eng.		7420073	12
	SPRING	8 Cyl. Eng.		3911068	16
0.308	SEAL, CAP, SHIELD – Valve stem				
	SEAL	4 Cyl. Eng.		642452	8
	CAP	4 Cyl. Eng.		642478	8
	SEAL	6 Cyl. Eng.		7434738	12
	SHIELD	6 Cyl. Eng.		3836755	12
	SEAL	8 Cyl. Eng.		7434738	16
	SHIELD	8 Cyl. Eng.		7436029	16
0.309	CUP, ROTATOR – Valve spring				
	CUP	4 Cyl. Eng.		642284	8
	ROTATOR - Exhaust valve	4 Cyl. Eng.		642600	4
0.309	CAP – Valve spring				
	CAP	6 Cyl. Eng.		3711176	12
	CAP	8 Cyl. Eng.		3896934	16
0.310	KEY – Valve stem				
	KEY	4 Cyl. Eng.		642359	16
	KEY	6, 8 Cyl. Eng.		838029	24-32
0.333	ARM – Valve rocker				
	AFM	4 Cyl. Eng.		640594	8
	AFM	6 Cyl. Eng.		2811931	12
	AFM	8 Cyl. Eng.		7434870	16

RE RA NOV 25 29 5 44E 1977

TORANA "LX" PARTS CATALOGUE

GROUP	DESCRIPTION	MODEL	SIDE	PART No.	QTY.
0.386 COVER – Valve rocker					
COVER	4 Cyl. Eng.			607583	1
BOLT – Cover fixing, Hex. hd. 6mm x 1 x 12mm	4 Cyl. Eng.			2000118	5
COVER ASSY.	6 Cyl. Eng.			9932266	1
BOLT – Cover to cylinder head	6 Cyl. Eng.			9414811	8
COVER ASSY.	8 Cyl. Eng. exc. Air Cond.				
	RIGHT HAND DRIVE		LH	9932330	1
			RH	9933189	1
COVER ASSY.	8 Cyl. Eng. Air Cond.				
	RIGHT HAND DRIVE		LH	9932902	1
			RH	9933189	1
COVER ASSY.	8 Cyl. Eng.	LEFT HAND DRIVE	LH	9932330	1
			RH	9933189	1
BOLT – Cover to cylinder head	8 Cyl. Eng.			9414811	12
0.386 COVER, GASKET – Camshaft					
COVER – Front	4 Cyl. Eng.			638602	1
COVER – Rear	4 Cyl. Eng.			638601	1
GASKET	4 Cyl. Eng.			638641	2
BOLT – Cover fixing hex. hd. 6mm x 1 x 12mm	4 Cyl. Eng.			2000118	6
0.413 REINFORCEMENT – Valve rocker cover					
REINFORCEMENT	4 Cyl. Eng.			607928	6
REINFORCEMENT	6, 8 Cyl. Eng.			2806691	8-12
0.423 GASKET – Valve rocker cover					
GASKET	4 Cyl. Eng.			607664	1
GASKET	6 Cyl. Eng.			2805794	1
GASKET	8 Cyl. Eng.			2820930	2
0.426 ROD – Valve push					
ROD	6 Cyl. Eng.			2811932	12
ROD	8 Cyl. Eng.			7436758	16
0.429 SCREW, BALL, NUT, PIVOT, BOLT, BEARING – Valve rocker arm					
SCREW – Rocker arm	4 Cyl. Eng.			640355	8
BALL UNIT – Rocker arm	4 Cyl. Eng.			640763	8
NUT – Rocker arm	4 Cyl. Eng.			640380	8
PIVOT	6 Cyl. Eng.			2811933	6
PIVOT	8 Cyl. Eng.			7434861	8
BOLT – Pivot	6, 8 Cyl. Eng.			9423842	12-16
0.439 COVER – Valve push rod					
COVER ASSY.	6 Cyl. Eng.			7420124	2
0.443 GASKET – Valve push rod cover					
GASKET	6 Cyl. Eng.			2805795	2
0.449 BOLT – Valve push rod cover					
BOLT and SEAL ASSY.	6 Cyl. Eng.			7421877	6
SEAL	6 Cyl. Eng.			M35821	6
0.459 LIFTER – Valve					
LIFTER	4 Cyl. Eng.			640046	8
LIFTER ASSY.	6, 8 Cyl. Eng.			5232765	12-16

TORANA "LX" PARTS CATALOGUE

GROUP	DESCRIPTION	MODEL	SIDE	PART No.	QTY.
0.519	CAMSHAFT				
	CAMSHAFT	4 Cyl. Eng.		636151	1
	CAMSHAFT	2250, 2850 Eng.		7420034	1
	CAMSHAFT	3300 Eng.		2818929	1
	CAMSHAFT	4.2 Litre Eng.		7434871	1
	CAMSHAFT	5 Litre Eng.		2825882	1
0.533	BEARING - Camshaft thrust				
	BEARING	6 Cyl. Eng.		7429774	1
	BOLT - Bearing to cylinder block	6 Cyl. Eng.		9416367	2
0.533	LOCATOR, BOLT - Camshaft				
	LOCATOR	8 Cyl. Eng.		7435250	1
	BOLT	8 Cyl. Eng.		7435107	1
0.536	BEARING SET - Camshaft				
	BEARING SET	6 Cyl. Eng.		7423616	1
	BEARING SET	8 Cyl. Eng.		2811061	1
0.539	BEARING - Camshaft				
	BEARING - No. 1	4 Cyl. Eng.		636436	1
	BEARING - No. 1A	4 Cyl. Eng.		636437	1
	BEARING - No. 2	4 Cyl. Eng.		636438	1
	BEARING - No. 3	4 Cyl. Eng.		636462	1
0.553	PLUG - Camshaft rear bearing				
	PLUG	6 Cyl. Eng.		3789860	1
	PLUG - Cup 2 $\frac{1}{16}$ "	6 Cyl. Eng.		SP1649	1
	PLUG	8 Cyl. Eng.		SP1975	1
0.603	ROD - Connecting				
	ROD ASSEMBLY	4 Cyl. Eng.		622123	4
	ROD ASSEMBLY	6 Cyl. Eng.		7429519	6
	ROD ASSEMBLY	8 Cyl. Eng.		7435450	8
0.616	BEARING SET, BEARING UNIT - Connecting rod				
	BEARING UNIT - Standard	4 Cyl. Eng.		622711	4
	BEARING UNIT - 0.25mm U/S	4 Cyl. Eng.		622941	4
	BEARING UNIT - 0.5mm U/S	4 Cyl. Eng.		622779	4
	BEARING SET - Standard	6 Cyl. Eng.		7430450	1
	BEARING SET - .001" U/S	6 Cyl. Eng.		7430451	1
	BEARING SET - .002" U/S	6 Cyl. Eng.		7430452	1
	BEARING SET - .010" U/S	6 Cyl. Eng.		7430453	1
	BEARING SET - .020" U/S	6 Cyl. Eng.		7430454	1
	BEARING UNIT - Standard	6 Cyl. Eng.		7430444	6
	BEARING UNIT - .001" U/S	6 Cyl. Eng.		7430445	6
	BEARING UNIT - .002" U/S	6 Cyl. Eng.		7430446	6
	BEARING UNIT - .010" U/S	6 Cyl. Eng.		7430448	6
	BEARING UNIT - .020" U/S	6 Cyl. Eng.		7430449	6
	BEARING SET - Standard	8 Cyl. Eng.		2806399	1
	BEARING SET - .001" U/S	8 Cyl. Eng.		2806400	1
	BEARING SET - .002" U/S	8 Cyl. Eng.		2813373	1
	BEARING SET - .010" U/S	8 Cyl. Eng.		2813379	1
	BEARING SET - .020" U/S	8 Cyl. Eng.		9937902	1
	BEARING UNIT - Standard	8 Cyl. Eng.		2806382	8
	BEARING UNIT - .001" U/S	8 Cyl. Eng.		2806383	8
	BEARING UNIT - .002" U/S	8 Cyl. Eng.		2813372	8
	BEARING UNIT - .010" U/S	8 Cyl. Eng.		2813378	8
	BEARING UNIT - .020" U/S	8 Cyl. Eng.		9937903	8

TORANA "LX" PARTS CATALOGUE

GROUP	DESCRIPTION	MODEL	SIDE	PART No.	QTY.
0.623	BOLT – Connecting rod				
	BOLT	4 Cyl. Eng.		622415	4
	BOLT	6 Cyl. Eng.		7420086	12
	BOLT	8 Cyl. Eng.		7434726	16
0.626	NUT – Connecting rod bolt				
	NUT	6 Cyl. Eng.		6255523	12
	NUT	8 Cyl. Eng.		3784834	16
0.629	PISTON and PIN				
	PISTON ASSY. – Standard	4 Cyl. Eng.		623536	4
	PISTON ASSY. – 0.02mm O/S	4 Cyl. Eng.		623537	4
	PISTON ASSY. – 0.04mm O/S	4 Cyl. Eng.		623538	4
	PISTON ASSY. – 0.06mm O/S	4 Cyl. Eng.		623539	4
	PISTON ASSY. – 0.08mm O/S	4 Cyl. Eng.		623540	4
	PISTON ASSY. – 0.10mm O/S	4 Cyl. Eng.		623584	4
	PISTON ASSY. – 0.12mm O/S	4 Cyl. Eng.		623542	4
	PISTON ASSY. – 0.5mm O/S	4 Cyl. Eng.		624158	4
	PISTON & PIN ASSY. – Standard	2250 Eng.		2813401	6
	PISTON & PIN ASSY. – Standard, high limit	2250 Eng.		2813402	6
	PISTON & PIN ASSY. – .001" O/S	2250 Eng.		2813403	6
	PISTON & PIN ASSY. – .002" O/S	2250 Eng.		2813404	6
	PISTON & PIN ASSY. – .020" O/S	2250 Eng.		2813405	6
	PISTON & PIN ASSY. – .030" O/S	2250 Eng.		2813406	6
	PISTON & PIN ASSY. – .040" O/S	2250 Eng.		2813407	6
	PISTON & PIN ASSY. – Standard	2850 Eng. 8.3:1 C.R.		2819526	6
	PISTON & PIN ASSY. – Standard, high limit	2850 Eng. 8.3:1 C.R.		2819527	6
	PISTON & PIN ASSY. – .001" O/S	2850 Eng. 8.3:1 C.R.		2819528	6
	PISTON & PIN ASSY. – .002" O/S	2850 Eng. 8.3:1 C.R.		2819529	6
	PISTON & PIN ASSY. – .020" O/S	2850 Eng. 8.3:1 C.R.		2819530	6
	PISTON & PIN ASSY. – .030" O/S	2850 Eng. 8.3:1 C.R.		2819531	6
	PISTON & PIN ASSY. – .040" O/S	2850 Eng. 8.3:1 C.R.		2819532	6
	PISTON & PIN ASSY. – Standard	2850 Eng. 9.4:1 C.R.		2819519	6
	PISTON & PIN ASSY. – Standard, high limit	2850 Eng. 9.4:1 C.R.		2819520	6
	PISTON & PIN ASSY. – .001" O/S	2850 Eng. 9.4:1 C.R.		2819521	6
	PISTON & PIN ASSY. – .002" O/S	2850 Eng. 9.4:1 C.R.		2819522	6
	PISTON & PIN ASSY. – .020" O/S	2850 Eng. 9.4:1 C.R.		2819523	6
	PISTON & PIN ASSY. – .030" O/S	2850 Eng. 9.4:1 C.R.		2819524	6
	PISTON & PIN ASSY. – .040" O/S	2850 Eng. 9.4:1 C.R.		2819525	6
	PISTON & PIN ASSY. – Standard	3300 Eng. 7.8:1 C.R.		2819512	6
	PISTON & PIN ASSY. – Standard, high limit	3300 Eng. 7.8:1 C.R.		2819513	6
	PISTON & PIN ASSY. – .001" O/S	3300 Eng. 7.8:1 C.R.		2819514	6
	PISTON & PIN ASSY. – .002" O/S	3300 Eng. 7.8:1 C.R.		2819515	6
	PISTON & PIN ASSY. – .020" O/S	3300 Eng. 7.8:1 C.R.		2819516	6
	PISTON & PIN ASSY. – .030" O/S	3300 Eng. 7.8:1 C.R.		2819517	6
	PISTON & PIN ASSY. – .040" O/S	3300 Eng. 7.8:1 C.R.		2819518	6
	PISTON & PIN ASSY. – Standard	3300 Eng. 9.4:1 C.R.		2819505	6
	PISTON & PIN ASSY. – Standard, high limit	3300 Eng. 9.4:1 C.R.		2819506	6
	PISTON & PIN ASSY. – .001" O/S	3300 Eng. 9.4:1 C.R.		2819507	6
	PISTON & PIN ASSY. – .002" O/S	3300 Eng. 9.4:1 C.R.		2819508	6
	PISTON & PIN ASSY. – .020" O/S	3300 Eng. 9.4:1 C.R.		2819509	6
	PISTON & PIN ASSY. – .030" O/S	3300 Eng. 9.4:1 C.R.		2819510	6
	PISTON & PIN ASSY. – .040" O/S	3300 Eng. 9.4:1 C.R.		2819511	6
	PISTON & PIN ASSY. – Standard	4.2 Litre Eng.		2811402	8
	PISTON & PIN ASSY. – Standard, high limit	4.2 Litre Eng.		2811403	8
	PISTON & PIN ASSY. – .001" O/S	4.2 Litre Eng.		2812347	8
	PISTON & PIN ASSY. – .002" O/S	4.2 Litre Eng.		2812348	8
	PISTON & PIN ASSY. – .020" O/S	4.2 Litre Eng.		2811404	8
	PISTON & PIN ASSY. – .030" O/S	4.2 Litre Eng.		2811405	8
	PISTON & PIN ASSY. – Standard	5 Litre Eng.		9937221	8
	PISTON & PIN ASSY. – Standard, high limit	5 Litre Eng.		9937223	8
	PISTON & PIN ASSY. – .001" O/S	5 Litre Eng.		9937225	8

TORANA "LX" PARTS CATALOGUE

GROUP	DESCRIPTION	MODEL	SIDE	PART No.	QTY.
0.629	PISTON and PIN (contd.)				
	PISTON & PIN ASSY. - .002" O/S	5 Litre Eng.		9937227	8
	PISTON & PIN ASSY. - .020" O/S	5 Litre Eng.		9937229	8
	PISTON & PIN ASSY. - .030" O/S	5 Litre Eng.		9937231	8
0.636	PIN - Piston				
	PIN	6 Cyl. Eng.		7421214	6
	PIN	4.2 Litre Eng.		7434728	8
	PIN	5 Litre Eng.		7435617	8
0.643	RING SET - Piston				
	RING SET - Standard	4 Cyl. Eng.		M37365	1
	RING SET - Standard, high limit	4 Cyl. Eng.		M37366	1
	RING SET - 0.5mm O/S	4 Cyl. Eng.		M37367	1
	RING SET - Standard	2250 Eng.		2822025	1
	RING SET - .020" O/S	2250 Eng.		2822026	1
	RING SET - .030" O/S	2250 Eng.		2822027	1
	RING SET - .040" O/S	2250 Eng.		2822028	1
	RING SET - Standard	2850 Eng.		2819098	1
	RING SET - .020" O/S	2850 Eng.		2819099	1
	RING SET - .030" O/S	2850 Eng.		2819100	1
	RING SET - .040" O/S	2850 Eng.		2819101	1
	RING SET - Standard	3300 Eng.		2819696	1
	RING SET - .020" O/S	3300 Eng.		2819697	1
	RING SET - .030" O/S	3300 Eng.		2819698	1
	RING SET - .040" O/S	3300 Eng.		2819699	1
	RING SET - Standard	4.2 Litre Eng.		2811532	1
	RING SET - .020" O/S	4.2 Litre Eng.		2811536	1
	RING SET - .030" O/S	4.2 Litre Eng.		2811537	1
	RING SET - Standard	5 Litre Eng.		2811531	1
	RING SET - .020" O/S	5 Litre Eng.		2811533	1
	RING SET - .030" O/S	5 Litre Eng.		2811534	1
0.646	CRANKSHAFT				
	CRANKSHAFT ASSY.	4 Cyl. Eng.		614030	1
	CRANKSHAFT ASSY. - (Rope type seal)	(M) 2250, 2850 Eng.		9935269	1
	CRANKSHAFT ASSY. - (Rope type seal)	(A) 2250, 2850 Eng.		9935272	1
	CRANKSHAFT ASSY.	(M) 3300 Eng.		9932837	1
	CRANKSHAFT ASSY.	(A) 3300 Eng.		9932833	1
	CRANKSHAFT ASSY. - (Rope type seal)	4.2 Litre Eng.		(⁸) 9932845	1
	CRANKSHAFT ASSY.	5 Litre Eng.		9932843	1
0.649	BEARING, BUSHING - Crankshaft clutch pilot				
	BEARING	(M) 4 Cyl. Eng.		614700	1
	BUSHING - 1 mm O/S	(M) 4 Cyl. Eng.		614731	1
	BEARING	(M) 6, 8 Cyl. Eng.		412562	1
0.649	SLEEVE - Crankshaft converter pilot				
	SLEEVE	(A) 6 Cyl. Eng.		7420798	1
0.659	PULLEY, DAMPER - Crankshaft				
	PULLEY ASSY.	4 Cyl. Eng.		614653	1
	WASHER - Thrust	4 Cyl. Eng.		614663	1
	BOLT - Thrust washer to pulley, hex. hd. 12 mm x 1.5 x 35 mm	4 Cyl. Eng. eng. Air Cond.		2000610	1
	KEY - Pulley to crankshaft, 6 mm x 9 mm	4 Cyl. Eng.		614841	2
	PULLEY - Air conditioner drive	4 Cyl. Eng. Air Cond.		9937100	1
	KEY - Air conditioner drive pulley	4 Cyl. Eng. Air Cond.		9936002	1
	BOLT - Hex. hd. 12 mm x 1.5 x 50 mm	4 Cyl. Eng. Air Cond.		1107001	1
	DAMPER ASSY.	6 Cyl. Eng.		7434224	1
	KEY - Damper to crank shaft	6 Cyl. Eng.		106751	1
	DAMPER ASSY.	8 Cyl. Eng.		7435458	1

Note: (⁸) Remove clutch pilot bearing on vehicles fitted with automatic transmission.

TORANA "LX" PARTS CATALOGUE

GROUP	DESCRIPTION	MODEL	SIDE	PART No.	QTY.
0.659 PULLEY, DAMPER – Crankshaft (contd.)					
	BOLT - Damper to crankshaft	8 Cyl. Eng.		224255	1
	WASHER - Damper to crankshaft	8 Cyl. Eng.		7435295	1
	PULLEY ASSY.	6 Cyl. Eng. Air Cond.		2815587	1
	BOLT - Pulley to damper	6 Cyl. Eng. Air Cond.		454293	3
	WASHER - Pulley to damper	6 Cyl. Eng. Air Cond.		131099	3
	PULLEY ASSY.	8 Cyl. Eng. exc. Air Cond.		2813531	1
	PULLEY ASSY.	8 Cyl. Eng. Air Cond.		9931584	1
	BOLT - Pulley to crankshaft	8 Cyl. Eng.		454869	4
	WASHER - Pulley to crankshaft	8 Cyl. Eng.		120214	4
0.666 FLYWHEEL and RING GEAR					
	FLYWHEEL & RING GEAR ASSY.	(M) 4 Cyl. Eng.		616042	1
	FLYWHEEL & RING GEAR ASSY.	(A) 4 Cyl. Eng.		616048	1
	PLATE - Ignition timing	4 Cyl. Eng.		616800	1
	NAIL - Grooved	4 Cyl. Eng.		2086327	1
	FLYWHEEL & RING GEAR ASSY.	(M) 6 Cyl. Eng.		7420114	1
	FLYWHEEL & RING GEAR ASSY.	(A) 6 Cyl. Eng.		7420311	1
	FLYWHEEL & RING GEAR ASSY.	(M) 8 Cyl. Eng.		7434800	1
	FLYWHEEL & RING GEAR ASSY.	(A) 8 Cyl. Eng.		7437372	1
0.669 BOLT, RING – Flywheel to crankshaft					
	BOLT	4 Cyl. Eng.		616239	1
	BOLT - Hex. hd.	4 Cyl. Eng.		616240	5
	RING - Centre	4 Cyl. Eng.		616522	1
	BOLT	(M) 6 Cyl. Eng.		7420118	6
	BOLT	(A) 6 Cyl. Eng.		7420312	6
	BOLT	(M) 8 Cyl. Eng.		7434739	6
	BOLT	(A) 8 Cyl. Eng.		7434778	6
0.673 GEAR – Flywheel ring					
	GEAR	4 Cyl. Eng.		616183	1
	GEAR	6 Cyl. Eng.		7431533	1
	GEAR	8 Cyl. Eng.		2812461	1
0.679 COVER – Clutch and transmission case, converter housing					
	COVER - Front	(M) 4 Cyl. Eng. Torquemaster Trans.		670177	1
	BOLT - Cover to clutch housing, Hex.hd. 8mm x 1.25 x 12mm	(M) 4 Cyl. Eng. Torquemaster Trans.		2081800	2
	BOLT and WASHER - Cover to clutch housing	(M) 4 Cyl. Eng. Torquemaster Trans.		2008153	4
	COVER - Front	(A) 4 Cyl. Eng.		670177	1
	BOLT - Cover to converter housing, hex. hd. 8mm x 1.25mm x 12mm	(A) 4 Cyl. Eng.		2081800	2
	BOLT - Cover to converter housing hex. hd. 8mm x 1.25mm x 22mm	(A) 4 Cyl. Eng.		2008151	4
	COVER ASSY. - Clutch, upper	(M) 6 Cyl. Eng.		7420128	1
	COVER ASSY. - Clutch, lower	(M) 6 Cyl. Eng.		7430096	1
	BOLT - Lower cover to clutch housing	(M) 6 Cyl. Eng.		9416367	4
	BOLT - Lower cover to clutch housing	(M) 6 Cyl. Eng.		9934026	2
	COVER ASSY. - Converter, upper	(A) 6 Cyl. Eng.		7420128	1
	COVER ASSY. - Converter, lower	(A) 6 Cyl. Eng.		7439693	1
	BOLT - Lower cover to converter housing	(A) 6 Cyl. Eng.		9416367	4
	COVER - Lower	8 Cyl. Eng.		7437069	1
	BOLT - Lower cover attaching	8 Cyl. Eng.		9416367	4
	BOLT - Lower cover attaching	8 Cyl. Eng.		9434026	2
0.683 HOUSING – Clutch, converter					
	HOUSING - Clutch	(M) 4 Cyl. Eng. Torquemaster Trans.		9299655	1
	BOLT - Housing to cylinder block, hex. hd. 10 mm x 1.5 x 25 mm	(M) 4 Cyl. Eng.		2000418	1
	BOLT - Housing to cylinder block, hex. hd. 10mm x 1.5mm x 35mm	(M) 4 Cyl. Eng.		2000498	5
	WASHER - Housing to cylinder block, spring	(M) 4 Cyl. Eng.		2074176	6

TORANA "LX" PARTS CATALOGUE

GROUP	DESCRIPTION	MODEL	SIDE	PART No.	QTY.
0.683	HOUSING – Clutch, converter (contd.)				
	BRACKET – Housing to cylinder block	(M) 4 Cyl. Eng. Torquemaster Trans.	LH	662501	1
			RH	662500	1
	BOLT – Bracket to cylinder block, hex. hd. 8 mm x 1.25 x 18 mm	(M) 4 Cyl. Eng.		2008153	2
	BOLT – Bracket to cylinder block, hex. hd. 10 mm x 1.5 x 18 mm	(M) 4 Cyl. Eng.		2008227	2
	BOLT – Bracket to cylinder block, hex. hd. 10 mm x 1.5 x 22 mm	(M) 4 Cyl. Eng.		2010201	1
	PIN – Dowel 10 mm x 20 mm	(M) 4 Cyl. Eng.		2086216	2
	HOUSING – Converter	(A) 4 Cyl. Eng.		705037	1
	SEAL – Housing	(A) 4 Cyl. Eng.		705750	1
	SEAL – Housing dust	(A) 4 Cyl. Eng.		8625571	1
	BUSHING – Housing	(A) 4 Cyl. Eng.		5258125	1
	BOLT – Converter housing to oil pump, hex. hd. flanged $\frac{5}{16}$ " – 18 x $1\frac{3}{8}$ "	(A) 4 Cyl. Eng.		9423842	5
	BOLT – Oil pump and converter housing to cylinder block, hex. hd. flanged $\frac{5}{16}$ " – 18 x $1\frac{5}{8}$ "	(A) 4 Cyl. Eng.		9427182	7
	HOUSING – Clutch	(M) 6 Cyl. Eng. 3 Speed Trans.			
			RIGHT HAND DRIVE	7435393	1
			LEFT HAND DRIVE	7448575	1
	HOUSING – Clutch	(M) 6 Cyl. Eng. 4 Speed Trans.		7435393	1
	BOLT – Clutch housing to cylinder block	(M) 6 Cyl. Eng.		179866	4
	WASHER – Clutch housing to cylinder block	(M) 6 Cyl. Eng.		120383	4
	PIN – Dowel	(M) 6 Cyl. Eng.		7401304	2
	PIN – Dowel – Oversize	(M) 6 Cyl. Eng.		7406004	2
	HOUSING – Converter	(A) 6 Cyl. Eng.		5258275	1
	PIN – Dowel	(A) 6 Cyl. Eng.		7401304	2
	SEAL – Housing	(A) 6 Cyl. Eng.		8625571	1
	BUSHING – Housing	(A) 6 Cyl. Eng.		2814738	1
	BOLT – Converter housing to oil pump hex. hd. flanged $\frac{5}{16}$ " – 18 x $1\frac{3}{8}$ "	(A) 6 Cyl. Eng.		9423842	5
	BOLT – Oil pump and converter housing to cylinder block, hex. hd. flanged $\frac{5}{16}$ " – 18 x $1\frac{5}{8}$ "	(A) 6 Cyl. Eng.		9427182	7
	HOUSING – Clutch	(M) 8 Cyl. Eng.		2817149	1
	BOLT – Clutch housing to cylinder block	(M) 8 Cyl. Eng.		SP2139	6
	PIN – Housing to cylinder block	(M) 8 Cyl. Eng.		7435646	2
	HOUSING – Converter	(A) 8 Cyl. Eng.		5258276	1
	SEAL – Housing	(A) 8 Cyl. Eng.		8625571	1
	BUSHING – Housing	(A) 8 Cyl. Eng.		2814738	1
	BOLT – Converter housing to oil pump, hex. hd. flanged $\frac{5}{16}$ " – 18 x $1\frac{3}{8}$ "	(A) 8 Cyl. Eng.		9423842	5
	BOLT – Oil pump and converter housing to cylinder block, hex. hd. flanged $\frac{5}{16}$ " – 18 x $1\frac{5}{8}$ "	(A) 8 Cyl. Eng.		9427182	7
	PIN – Housing locating	(A) 8 Cyl. Eng.		7435646	2
0.724	CHAIN – Camshaft timing				
	CHAIN	4 Cyl. Eng.		636353	1
	GUIDE – Chain	4 Cyl. Eng.		636810	1
	BOLT – Chain guide, hex. hd. with spring washer 6 mm x 1 x 12 mm	4 Cyl. Eng.		2018051	2
	CHAIN	8 Cyl. Eng.		9933435	1
0.726	TENSIONER – Timing chain				
	TENSIONER ASSY.	4 Cyl. Eng.		636377	1
	ARM – Tensioner	4 Cyl. Eng.		636700	1
	RAIL – Slide	4 Cyl. Eng.		636801	1
	BOLT – Arm and slide rail	4 Cyl. Eng.		636775	3
	RING – Snap, 7 mm inside diameter	4 Cyl. Eng.		2076500	3
	RING – Tensioner housing sealing	4 Cyl. Eng.		636835	1

TORANA "LX" PARTS CATALOGUE

GROUP	DESCRIPTION	MODEL	SIDE	PART No.	QTY.
0.728	GEAR, SPROCKET – Crankshaft				
	GEAR	4 Cyl. Eng.		614475	1
	GEAR	6 Cyl. Eng.		7420025	1
	KEY - Woodruff $\frac{3}{16}$ " x $\frac{3}{4}$ "	6 Cyl. Eng.		106751	1
	SPROCKET	8 Cyl. Eng.		7434759	1
	KEY - Woodruff $\frac{3}{16}$ " x $2\frac{1}{8}$ "	8 Cyl. Eng.		144542	1
0.730	PIN – Camshaft gear				
	PIN - 8 mm x 10 mm	4 Cyl. Eng.		2086206	1
0.732	KIT – Camshaft timing				
	KIT	4 Cyl. Eng.		1606310	1
0.732	SUPPORT – Camshaft gear				
	SUPPORT	4 Cyl. Eng.		636850	1
	SCREW - Fillister head 8 mm x 1.25 x 20 mm	4 Cyl. Eng.		2048101	3
0.736	GEAR KIT, GEAR, SPROCKET – Camshaft SCREW – Camshaft stop				
	SCREW	4 Cyl. Eng.		636655	1
	GEAR KIT	6 Cyl. Eng.		7431746	1
	GEAR	6 Cyl. Eng.		7430922	1
	KEY - Gear to camshaft	6 Cyl. Eng.		106751	1
	SPROCKET	8 Cyl. Eng.		7434699	1
	BOLT - Eccentric & sprocket to camshaft	8 Cyl. Eng.		7434757	1
	PIN - Dowel $\frac{1}{4}$ " x $1\frac{1}{8}$ "	8 Cyl. Eng.		141202	1
0.738	RING – Camshaft gear spacing				
	RING	6 Cyl. Eng.		7420026	1
0.748	NOZZLE – Timing gear oil				
	NOZZLE	6 Cyl. Eng.		7427418	1
	NOZZLE	8 Cyl. Eng.		7437269	1
0.787	CABLE, INSULATOR, CLIP – Clutch control				
	CABLE ASSY.	(M) 4 Cyl. Eng.		9930430	1
	CLIP - Cable to thermo. housing	(M) 4 Cyl. Eng.		9933269	1
	CIRCLIP - Insulator retainer	(M) 4 Cyl. Eng.		SP2203	1
	CLEVIS	(M) 4 Cyl. Eng.		9933246	1
	PIN - Clevis to pedal	(M) 4 Cyl. Eng.		SP1756	1
	CLIP - Clevis pin	(M) 4 Cyl. Eng.		3749084	1
	GROMMET - Cable to fork	(M) 4 Cyl. Eng.		669404	1
	INSULATOR - Cable to dash outer	(M) 4 Cyl. Eng.		2820439	1
	WASHER - Cable thrust	(M) 4 Cyl. Eng.		SP1528	1
	CABLE ASSY.	(M) 8 Cyl. Eng. RIGHT HAND DRIVE		9932921	1
	WASHER - Cable to dash panel	(M) 8 Cyl. Eng. RIGHT HAND DRIVE		120214	1
	NUT - Cable to dash panel	(M) 8 Cyl. Eng. RIGHT HAND DRIVE		120376	1
	CLEVIS	(M) 8 Cyl. Eng. RIGHT HAND DRIVE		9933246	1
	PIN - Clevis to pedal	(M) 8 Cyl. Eng. RIGHT HAND DRIVE		SP1756	1
	CLEVIS - Lever to cable	(M) 8 Cyl. Eng. RIGHT HAND DRIVE		9932922	1
	PIN - Clevis to lever	(M) 8 Cyl. Eng. RIGHT HAND DRIVE		SP1450	1
	<i>ROD ASSY- CLUTCH PULL</i>	<i>(M) 6 Cyl. Eng.</i>		<i>2823632</i>	1
0.795	FORK – Clutch				
	FORK ASSY.	(M) 4 Cyl. Eng.		668170	1
	FORK ASSY.	(M) 6 Cyl. Eng.		2824887	1
	FORK ASSY.	(M) 8 Cyl. Eng.		2829904	1
0.796	STUD – Clutch fork bail				
	STUD	(M) 4 Cyl. Eng. Torquemaster Trans.		9934341	1
	NUT - Stud	(M) 4 Cyl. Eng.		2064402	1
	SPRING - Stud	(M) 4 Cyl. Eng.		668277	1

TORANA "LX" PARTS CATALOGUE

GROUP	DESCRIPTION	MODEL	SIDE	PART No.	QTY.
0.796	STUD – Clutch fork ball (contd.)				
	RIVET - Stud spring	(M) 4 Cyl. Eng.		2084005	1
	STUD	(M) 6 Cyl. Eng.		7433895	1
	STUD	(M) 8 Cyl. Eng.		7430099	1
0.797	BOOT – Clutch fork				
	BOOT	(M) 4 Cyl. Eng.		668257	1
0.797	PLATE – Clutch fork				
	PLATE - Guide	(M) 6 Cyl. Eng.	RIGHT HAND DRIVE	7433793	1
	PLATE - Sliding	(M) 6 Cyl. Eng.	RIGHT HAND DRIVE	7433794	1
	PLATE - Guide	(M) 6 Cyl. Eng. 4 Speed Trans.			
			LEFT HAND DRIVE	7433793	1
	PLATE - Sliding	(M) 6 Cyl. Eng. 4 Speed Trans.			
			LEFT HAND DRIVE	7433794	1
	PLATE - Guide	(M) 8 Cyl. Eng.		7437138	1
	PLATE - Sliding	(M) 8 Cyl. Eng.		7437137	1
0.798	SPRING – Clutch fork sliding plate retaining				
	SPRING	(M) 6 Cyl. Eng.	RIGHT HAND DRIVE	7433896	1
	SPRING	(M) 6 Cyl. Eng. 4 Speed Trans.			
			LEFT HAND DRIVE	7433896	1
	SPRING	(M) 8 Cyl. Eng.		7409160	1
0.799	BEARING – Clutch throwout				
	BEARING ASSY	(M) 4 Cyl. Eng.		668635	1
	BEARING ASSY	(M) 6, 8 Cyl. Eng.		CT22	1
0.830	PEDAL ASSEMBLY, PAD, BUMPER – Clutch				
	PEDAL ASSY.	(M) 4 Cyl. Eng.		9930427	1
	PEDAL ASSY.	(M) 6 Cyl. Eng.	RIGHT HAND DRIVE	2823985	1
	PEDAL ASSY.	(M) 8 Cyl. Eng.	RIGHT HAND DRIVE	9932923	1
	PEDAL ASSY.	(M)	LEFT HAND DRIVE	2825636	1
	PAD - Clutch pedal	(M)		2823651	1
	BUMPER - Clutch pedal	(M) 6, 8 Cyl. Eng.		2816796	1
	ECCENTRIC ASSY. - Clutch pedal bumper	(M) 6, 8 Cyl. Eng.	RIGHT HAND DRIVE	2816766	1
			LEFT HAND DRIVE	2825646	1
	WASHER - Eccentric to pedal	(M) 6, 8 Cyl. Eng.		120214	1
	NUT - Eccentric to pedal	(M) 6, 8 Cyl. Eng.		120376	1
0.831	BUSHING, SPACER – Clutch pedal				
	BUSHING	(M)		3798256	2
	SPACER - Pivot	(M)	RIGHT HAND DRIVE	2824213	1
0.833	BRACKET – Clutch pedal				
	BRACKET - Pedal support	(M)	LEFT HAND DRIVE	2825642	1
0.837	SHAFT, BOLT – Clutch pedal				
	SHAFT - Pedal pivot	(M)	LEFT HAND DRIVE	2825645	1
	BOLT - Clutch pedal retaining	(M)	LEFT HAND DRIVE	180171	1
	NUT - Clutch pedal retaining	(M)	LEFT HAND DRIVE	271501	1
	BOLT - Pedal retaining, hex. hd. 1/2" - 13 x 5 3/4"	(M)	RIGHT HAND DRIVE	215723	1
	NUT - Pedal bolt	(M)	RIGHT HAND DRIVE	SP2561	1
0.839	ROD – Clutch lever				
	ROD - Push	(M) 6 Cyl. Eng.	RIGHT HAND DRIVE	2816851	1
	NUT - Adjusting	(M) 6 Cyl. Eng.	RIGHT HAND DRIVE	SP2149	1
	ROD - Push	(M) 8 Cyl. Eng.	RIGHT HAND DRIVE	9932919	1
	NUT - Adjusting	(M) 8 Cyl. Eng.	RIGHT HAND DRIVE	7429390	1
	NUT - Lock	(M) 8 Cyl. Eng.	RIGHT HAND DRIVE	124925	1
	PIN - Rod to relay lever	(M) 8 Cyl. Eng.	RIGHT HAND DRIVE	SP1730	1

TORANA "LX" PARTS CATALOGUE

GROUP	DESCRIPTION	MODEL	SIDE	PART No.	QTY.
0.839	ROD – Clutch lever (contd.)				
	WASHER - Push rod spacer	(M) 8 Cyl. Eng.	RIGHT HAND DRIVE	SP1766	2
	ROD - Push	(M)	LEFT HAND DRIVE	7409949	1
	NUT - Adjusting	(M)	LEFT HAND DRIVE	7409950	1
	NUT - Lock	(M)	LEFT HAND DRIVE	124920	1
	ROD - Pull	(M) 6 Cyl. Eng.	RIGHT HAND DRIVE	2823632	1
	<i>CLIP ROD TO RELAY LEVER</i>	<i>(M) 8 Cyl. Eng.</i>		<i>3749084</i>	<i>1</i>
0.844	SPRING – Clutch return				
	SPRING - Clutch fork retaining	(M) 6, 8 Cyl. Eng.		7428552	1
	SPRING - Clutch lever return	(M) 6 Cyl. Eng.	RIGHT HAND DRIVE	7437128	1
	SPRING - Clutch fork return	(M) 6 Cyl. Eng.	LEFT HAND DRIVE	2825651	1
	SPRING - Clutch fork return	(M) 8 Cyl. Eng.	RIGHT HAND DRIVE	2829906	1
			LEFT HAND DRIVE	9930867	1
	SPRING - Clutch pedal return	(M)	RIGHT HAND DRIVE	2824059	1
			LEFT HAND DRIVE	674880	1
0.846	BRACKET – Clutch fork return spring				
	BRACKET	(M) 6, 8 Cyl. Eng.	LEFT HAND DRIVE	2825650	1
0.852	LEVER & STRUT, LEVER & PIN, STRUT – Clutch relay				
	LEVER & STRUT ASSY	(M) 6 Cyl. Eng.	RIGHT HAND DRIVE	2823619	1
	LEVER & PIN ASSY	(M) 6 Cyl. Eng.	RIGHT HAND DRIVE	2820241	1
			LH	2820240	1
			RH	9932917	2
	LEVER	(M) 8 Cyl. Eng.	RIGHT HAND DRIVE	122040	1
	BOLT - Lever to bracket	(M) 8 Cyl. Eng.	RIGHT HAND DRIVE	446363	1
	WASHER - Lever to bracket, plain	(M) 8 Cyl. Eng.	RIGHT HAND DRIVE	SP1956	1
	WASHER - Lever to bracket, spring	(M) 8 Cyl. Eng.	RIGHT HAND DRIVE	120376	1
	NUT - Lever to bracket	(M) 8 Cyl. Eng.	RIGHT HAND DRIVE	9938377	1
	BRACKET	(M) 8 Cyl. Eng.	RIGHT HAND DRIVE	2815381	1
	BUSHING - Lever pivot	(M) 6, 8 Cyl. Eng.	RIGHT HAND DRIVE	9932918	1
	SPACER - Pivot bush	(M) 8 Cyl. Eng.	RIGHT HAND DRIVE	SP2238	1
	PIN - Lever pivot	(M) 6 Cyl. Eng.	RIGHT HAND DRIVE	2820067	1
	RETAINER - Lever pin	(M) 6, 8 Cyl. Eng.	RIGHT HAND DRIVE	2816690	2
	WASHER - Lever thrust	(M) 6 Cyl. Eng.	RIGHT HAND DRIVE	2816032	1
	CLIP - Lever spacer	(M) 6 Cyl. Eng.	RIGHT HAND DRIVE	2824120	1
	STRUT ASSY. - Lever	(M) 6 Cyl. Eng.	RIGHT HAND DRIVE	9422277	1
	NUT - Strut to dash bracket	(M) 6 Cyl. Eng.	RIGHT HAND DRIVE	2824021	1
	BRACKET - Strut to dash	(M) 6 Cyl. Eng.	RIGHT HAND DRIVE	9433975	1
	BOLT - Bracket to dash	(M) 6 Cyl. Eng.	RIGHT HAND DRIVE	120214	1
	WASHER - Bracket to dash	(M) 6 Cyl. Eng.	RIGHT HAND DRIVE	120376	1
	NUT - Bracket to dash	(M) 6 Cyl. Eng.	RIGHT HAND DRIVE	7437489	1
	PLATE - Strut insulator upper	(M) 6 Cyl. Eng.	RIGHT HAND DRIVE	7437284	2
	INSULATOR - Strut	(M) 6 Cyl. Eng.	RIGHT HAND DRIVE	2820063	1
	PLATE - Strut insulator lower	(M) 6 Cyl. Eng.	RIGHT HAND DRIVE	2823607	1
	BRACE ASSY. - Clutch lever	(M) 6 Cyl. Eng.	RIGHT HAND DRIVE	SP2239	1
	PIN - Brace to strut	(M) 6 Cyl. Eng.	RIGHT HAND DRIVE	3749084	2
	CLIP - Clutch lever brace <i>CLIP IS TO RELAY LEVER</i>	(M) 6 Cyl. Eng.	RIGHT HAND DRIVE	2817021	1
	BRACKET ASSY. - Clutch brace	(M) 6 Cyl. Eng.	RIGHT HAND DRIVE	122007	1
	BOLT - Brace bracket to clutch housing	(M) 6 Cyl. Eng.	RIGHT HAND DRIVE	120214	1
	WASHER - Brace bracket to clutch housing	(M) 6 Cyl. Eng.	RIGHT HAND DRIVE		
0.861	COVER and PRESSURE PLATE – Clutch				
	COVER & PRESSURE PLATE ASSY. - (Includes diaphragm spring)	(M) 4 Cyl. Eng.		666034	1
	COVER & PRESSURE PLATE ASSY. - (Includes diaphragm spring)	(M) 6 Cyl. Eng.		2811214	1
	COVER & PRESSURE PLATE ASSY. - Heavy Duty (includes diaphragm spring)	(M) 6 Cyl. Eng.		9941844	1
	COVER & PRESSURE PLATE ASSY. - (Includes diaphragm spring)	(M) 4.2 Litre Eng.		7436634	1
	COVER & PRESSURE PLATE ASSY. - (Includes diaphragm spring)	(M) 5 Litre Eng.		7436633	1

TORANA "LX" PARTS CATALOGUE

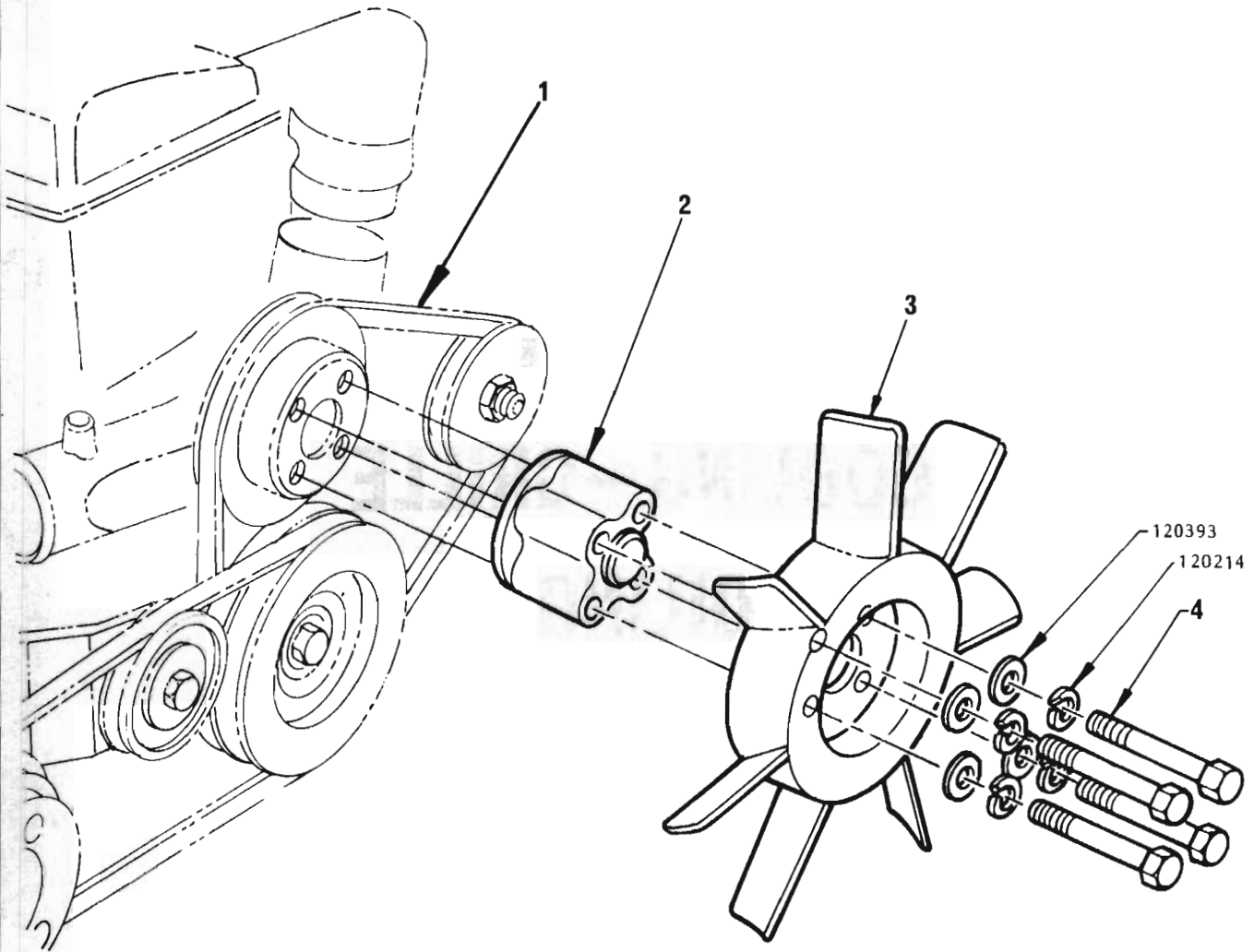
GROUP	DESCRIPTION	MODEL	SIDE	PART No.	QTY.
0.870	BOLT – Clutch to flywheel				
	BOLT - Hex. hd. 8 mm x 1.25 x 24 mm	(M) 4 Cyl. Eng.		2000213	4
	WASHER - Lock 8.2 mm	(M) 4 Cyl. Eng.		2074152	4
	BOLT	(M) 6, 8 Cyl. Eng.		7402029	4-6
	WASHER	(M) 6, 8 Cyl. Eng.		103321	4-6
0.886	PLATE – Clutch driven				
	PLATE ASSY.	(M) 4 Cyl. Eng.		9929738	1
	PLATE ASSY.	(M) 6 Cyl. Eng.		9939750	1
	PLATE ASSY. - (Heavy Duty)	(M) 6 Cyl. Eng.		9936437	1
	PLATE ASSY.	(M) 4.2 Litre Eng.		7436630	1
	PLATE ASSY	(M) 5 Litre Eng.		7436629	1
0.902	CYLINDER, BODY, REPAIR KIT – Clutch master cylinder				
	CYLINDER ASSY.	(M) 6, 8 Cyl. Eng.LEFT HAND DRIVE		7433520	1
	NUT - Cylinder to dash panel	(M) 6, 8 Cyl. Eng.LEFT HAND DRIVE		120377	2
	BODY	(M) 6, 8 Cyl. Eng.LEFT HAND DRIVE		7433521	1
	REPAIR KIT - With piston	(M) 6, 8 Cyl. Eng.LEFT HAND DRIVE		7436183	1
	REPAIR KIT - Less piston	(M) 6, 8 Cyl. Eng.LEFT HAND DRIVE		7436184	1
0.903	SPACER – Clutch master cylinder				
	SPACER - Mounting	(M) 6, 8 Cyl. Eng.LEFT HAND DRIVE		2825648	1
0.904	SEAL – Reservoir to clutch master cylinder				
	SEAL	(M) 6, 8 Cyl. Eng.LEFT HAND DRIVE		7429828	1
0.906	RESERVOIR – Clutch master cylinder				
	RESERVOIR	(M) 6, 8 Cyl. Eng.LEFT HAND DRIVE		7436154	1
0.907	CAP – Clutch master cylinder reservoir				
	CAP	(M) 6, 8 Cyl. Eng.LEFT HAND DRIVE		7426554	1
0.910	PISTON – Clutch master cylinder				
	PISTON	(M) 6, 8 Cyl. Eng.LEFT HAND DRIVE		7409929	1
0.911	CUP – Clutch master cylinder piston				
	CUP	(M) 6, 8 Cyl. Eng.LEFT HAND DRIVE		7404734	1
0.912	CUP – Clutch master cylinder piston secondary				
	CUP	(M) 6, 8 Cyl. Eng.LEFT HAND DRIVE		7404736	1
0.913	SPRING – Clutch master cylinder				
	SPRING ASSY.	(M) 6, 8 Cyl. Eng.LEFT HAND DRIVE		7400663	1
0.914	RING – Clutch master cylinder lock				
	RING	(M) 6, 8 Cyl. Eng.LEFT HAND DRIVE		7400673	1
0.918	ROD – Clutch master cylinder push				
	ROD	(M) 6, 8 Cyl. Eng.LEFT HAND DRIVE		2825647	1
	NUT	(M) 6, 8 Cyl. Eng.LEFT HAND DRIVE		124925	1
0.920	CLEVIS – Clutch master cylinder push rod				
	CLEVIS	(M) 6, 8 Cyl. Eng.LEFT HAND DRIVE		7415761	1
0.921	PIN – Clutch master cylinder push rod clevis				
	PIN - Clevis, .375" x .92"	(M) 6, 8 Cyl. Eng.LEFT HAND DRIVE		SP1825	1
	CLIP - Clevis pin	(M) 6, 8 Cyl. Eng.LEFT HAND DRIVE		3749084	1

CHASSIS

TORANA "LX" PARTS CATALOGUE

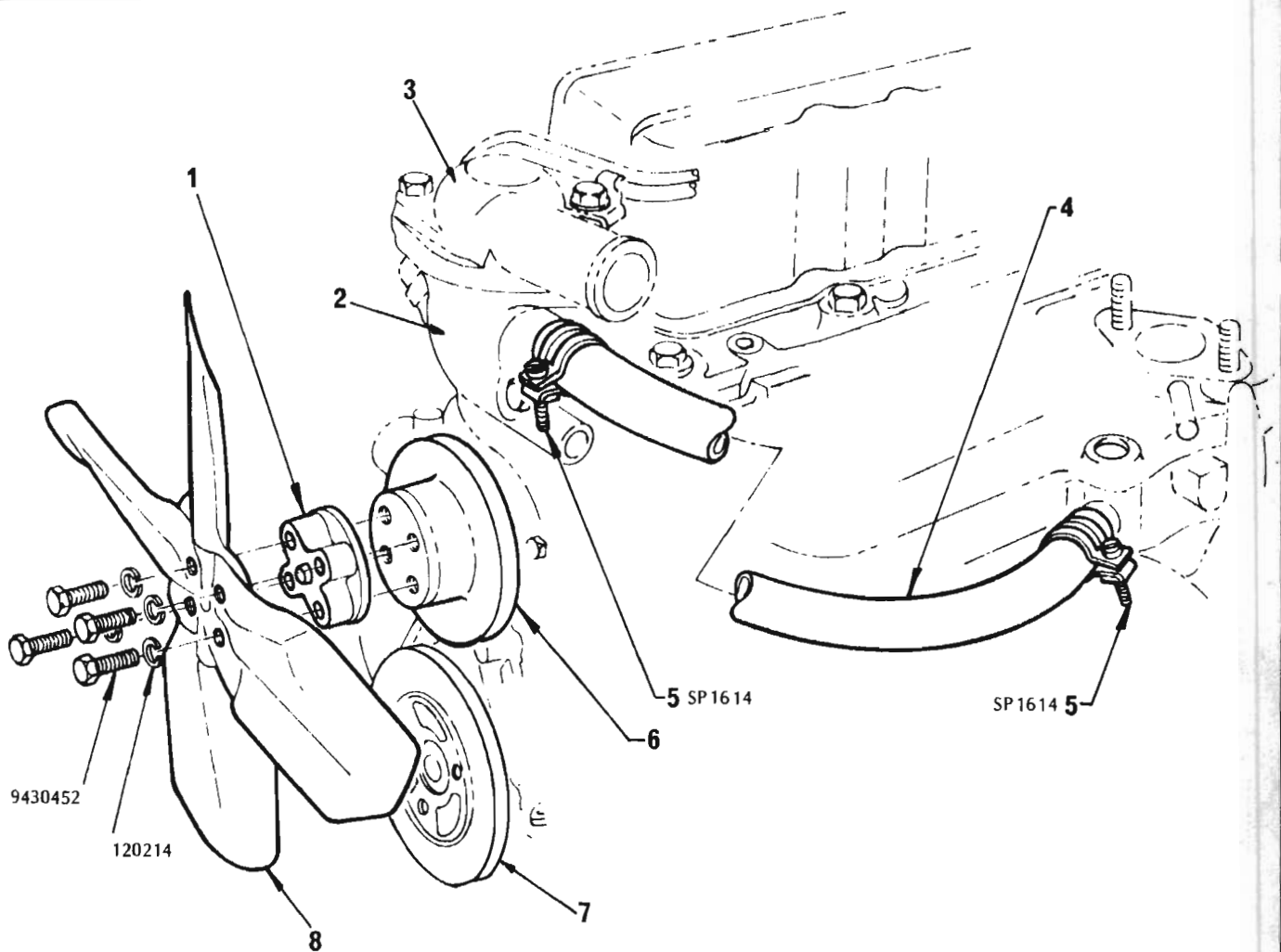
GROUP	DESCRIPTION	MODEL	SIDE	PART No.	QTY.
0.924	SEAL – Clutch master cylinder push rod				
	SEAL	(M) 6, 8 Cyl. Eng.	LEFT HAND DRIVE	7433522	1
0.929	PIPE, CONNECTOR – Clutch master cylinder				
	PIPE ASSY.	(M) 6, 8 Cyl. Eng.	LEFT HAND DRIVE	2825731	1
	CONNECTOR – Pipe	(M) 6, 8 Cyl. Eng.	LEFT HAND DRIVE	7410766	2
	WASHER – Special	(M) 6, 8 Cyl. Eng.	LEFT HAND DRIVE	7401727	2
	NUT – Pipe to cylinder	(M) 6, 8 Cyl. Eng.	LEFT HAND DRIVE	137397	2
	CLIP – Pipe	(M) 6, 8 Cyl. Eng.	LEFT HAND DRIVE	9930835	1
0.934	CYLINDER – Clutch actuating				
	CYLINDER ASSY.	(M) 3 Speed Trans. 6 Cyl. Eng.	LEFT HAND DRIVE	2805297	1
	CYLINDER ASSY	(M) 4 Speed Trans. 6 Cyl. Eng.	LEFT HAND DRIVE	7429741	1
	CYLINDER ASSY.	(M) 8 Cyl. Eng.	LEFT HAND DRIVE	2805297	1
	BOLT – Cylinder to bracket	(M) 6, 8 Cyl. Eng.	LEFT HAND DRIVE	122126	2
	WASHER – Cylinder to bracket	(M) 6, 8 Cyl. Eng.	LEFT HAND DRIVE	138542	2
	BRACKET – Cylinder	(M) 6, 8 Cyl. Eng.	LEFT HAND DRIVE	7429637	1
	BOLT – Bracket to clutch housing	(M) 6, 8 Cyl. Eng.	LEFT HAND DRIVE	180079	2
	WASHER – Bracket to clutch housing	(M) 6, 8 Cyl. Eng.	LEFT HAND DRIVE	120214	2
0.935	SEAL – Clutch actuating cylinder				
	SEAL	(M) 6, 8 Cyl. Eng.	LEFT HAND DRIVE	7409965	1
0.936	PISTON – Clutch actuating cylinder				
	PISTON	(M) 3 Speed Trans. 6 Cyl. Eng.	LEFT HAND DRIVE	1409125	1
	PISTON	(M) 4 Speed Trans. 6 Cyl. Eng.	LEFT HAND DRIVE	7409966	1
	PISTON	(M) 8 Cyl. Eng.	LEFT HAND DRIVE	7409966	1
0.937	CUP – Clutch actuating cylinder piston				
	CUP	(M) 3 Speed Trans. 6 Cyl. Eng.	LEFT HAND DRIVE	7404726	1
	CUP	(M) 4 Speed Trans. 6 Cyl. Eng.	LEFT HAND DRIVE	7409968	1
	CUP	(M) 8 Cyl. Eng.	LEFT HAND DRIVE	7404726	1
0.938	SPRING – Clutch actuating cylinder cup				
	SPRING	(M) 3 Speed Trans. 6 Cyl. Eng.	LEFT HAND DRIVE	7420746	1
	SPRING	(M) 8 Cyl. Eng.	LEFT HAND DRIVE	7420746	1
0.940	VALVE – Clutch actuating cylinder bleeder				
	VALVE	(M) 6, 8 Cyl. Eng.	LEFT HAND DRIVE	7400169	1

GROUP 1.000
COOLING-GRILLE
OILING



FAN BLADE
4 CYLINDER ENGINE

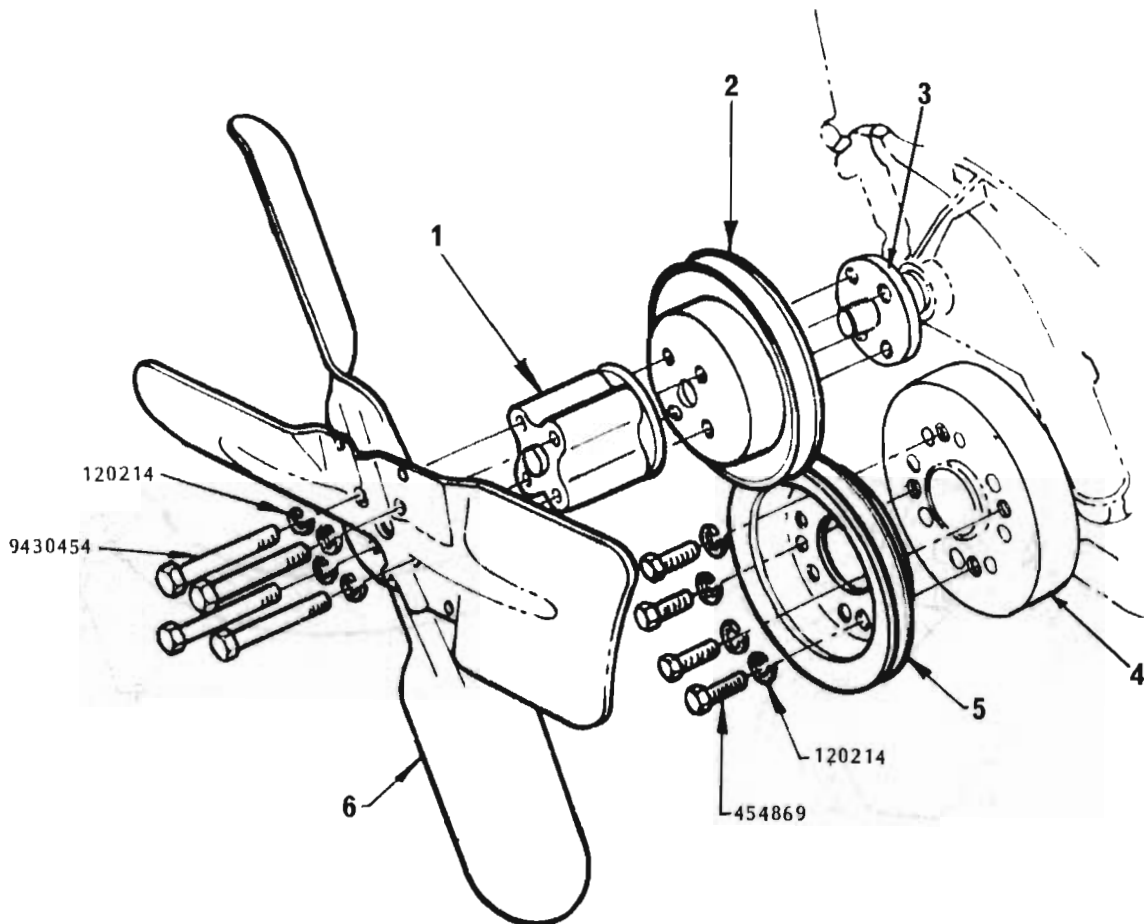
ILLUS. REF. NO.	PART NAME	GROUP
1.	BELT — Fan and generator	1.066
2.	SPACER — Fan blade	1.064
3.	BLADE ASSY. — Fan	1.064
4.	BOLT — Fan attaching	1.064



FAN BLADE & PULLEY

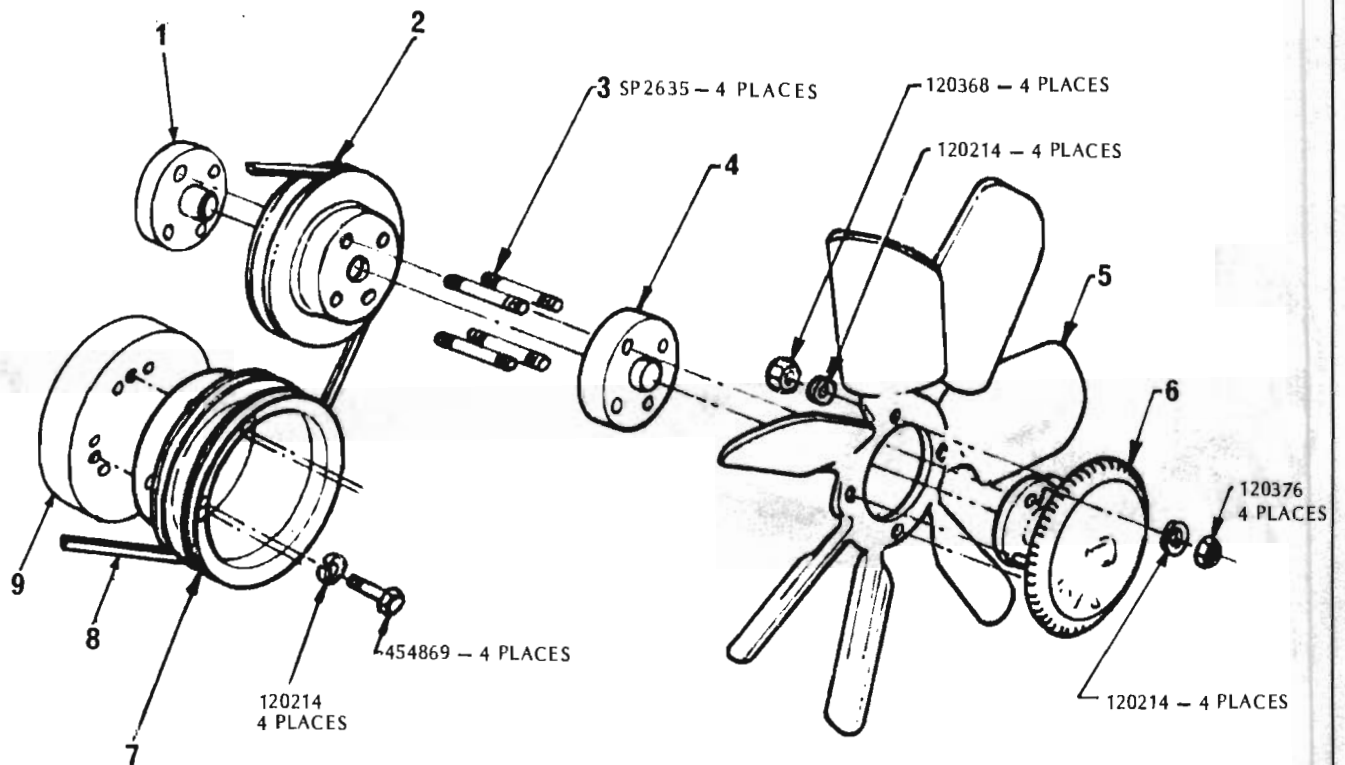
6 CYL. ENG.

ILLUS. REF. NO.	PART NAME	GROUP	ILLUS. REF. NO.	PART NAME	GROUP
1.	SPACER — Fan blade	1.064	5.	CLAMP — Hose , 1.03" dia.	3.260
2.	HOUSING — Thermostat	1.251	6.	PULLEY — Water pump & fan	1.062
3.	OUTLET — Water	1.153	7.	PULLEY — Crankshaft	0.659
4.	HOSE — Inlet manifold water inlet	3.260	8.	BLADE ASSEMBLY — Fan	1.064



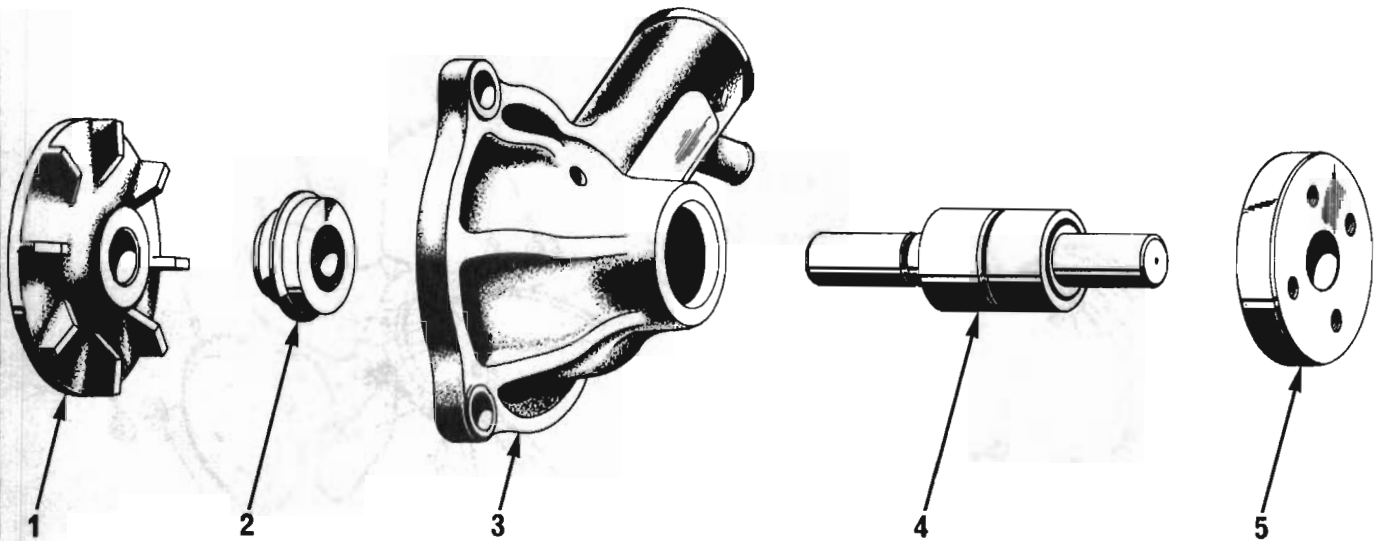
FAN BLADE & PULLEY
8 CYL. ENG. EXC. AIR COND.

ILLUS. REF. NO.	PART NAME	GROUP	ILLUS. REF. NO.	PART NAME	GROUP
1.	SPACER – Fan blade	1.064	4.	DAMPER ASSEMBLY	0.659
2.	PULLEY – Water pump & fan	1.062	5.	PULLEY ASSEMBLY – Crankshaft	0.659
3.	HUB – Water pump & fan pulley	1.063	6.	BLADE ASSEMBLY – Fan	1.064



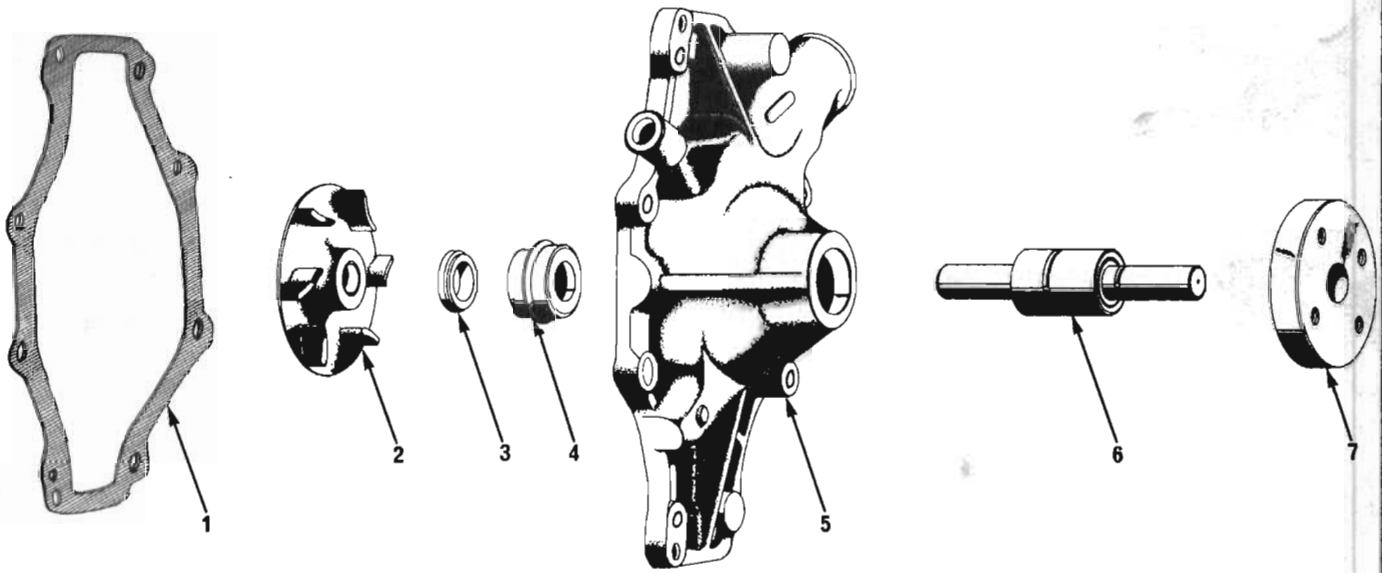
FAN BLADE & PULLEY
8 CYL. ENG. WITH AIR COND.

ILLUS. REF. NO.	PART NAME	GROUP	ILLUS. REF. NO.	PART NAME	GROUP
1.	HUB - Water pump & fan pulley	1.063	6.	CLUTCH ASSEMBLY - Fan	1.050
2.	PULLEY - Water pump & fan	1.062	7.	PULLEY ASSEMBLY - Crankshaft	0.659
3.	STUD - Clutch & spacer to water pump	1.050	8.	BELT - Fan & generator	1.066
4.	SPACER - Fan blade	1.064	9.	DAMPER ASSEMBLY	0.659
5.	BLADE ASSEMBLY - Fan	1.064			



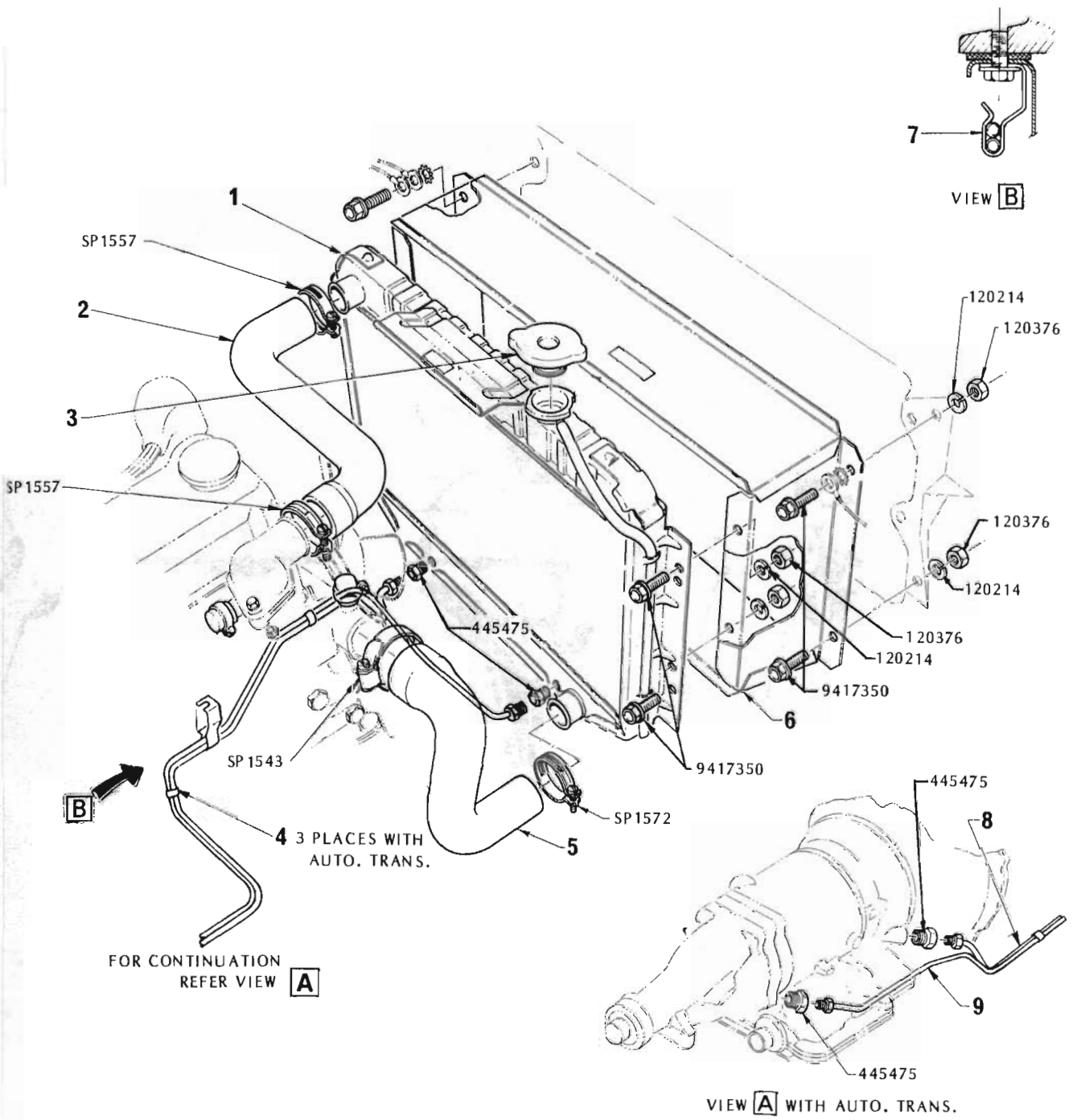
WATER PUMP
6 Cylinder Engine

ILLUS. REF. NO.	PART NAME	GROUP
1.	ROTOR - Water pump	1.109
2.	SEAL ASSEMBLY - Water pump	1.123
3.	BODY - Water pump	1.073
4.	SHAFT & BEARING ASSEMBLY	1.108
5.	HUB - Water pump and fan pulley	1.063



WATER PUMP
8 Cylinder Engine

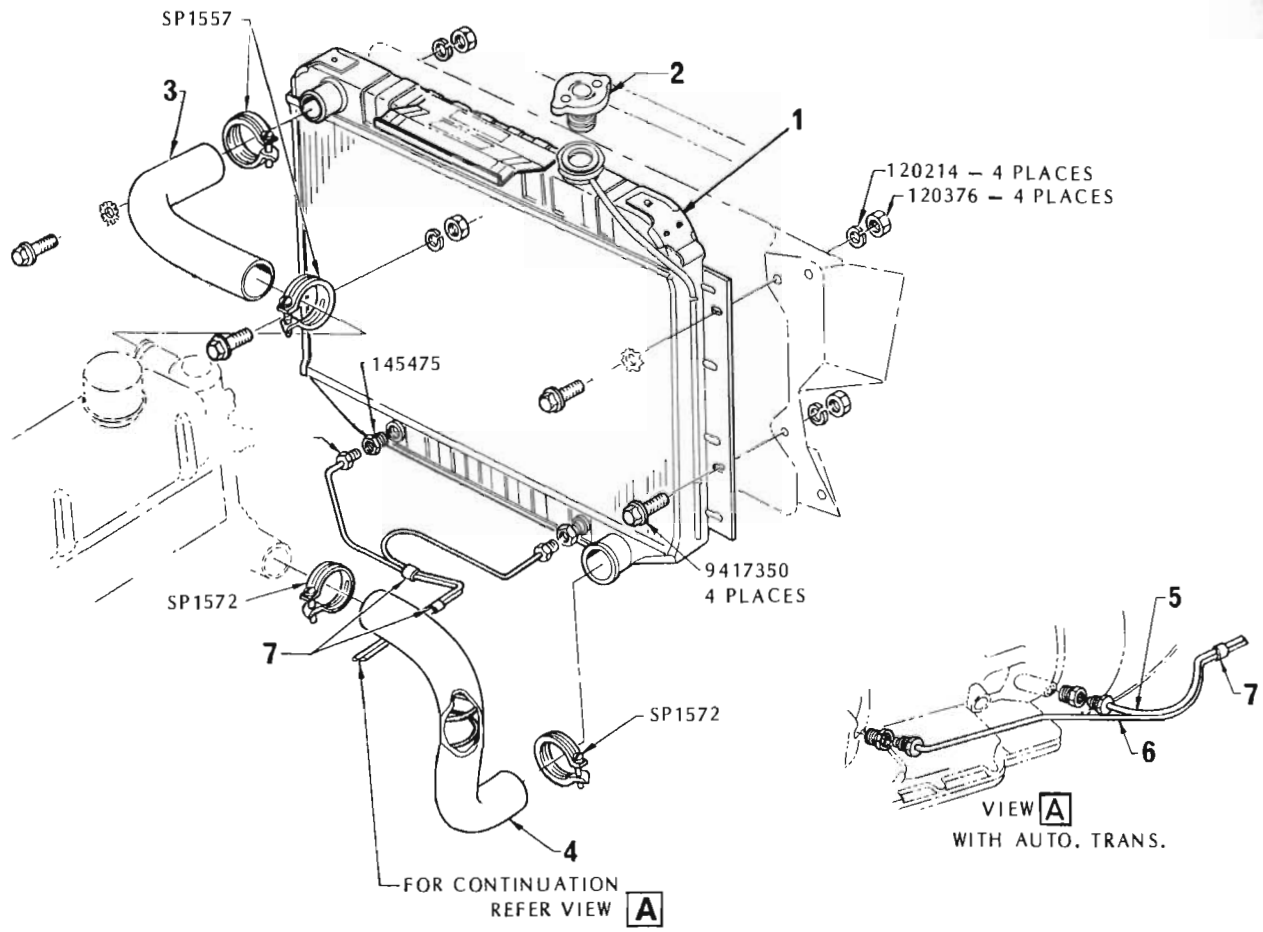
ILLUS. REF. NO.	PART NAME	GROUP
1.	GASKET - Water pump plate	N.S.S.
2.	ROTOR - Water pump	1.109
3.	SEAT ASSEMBLY - Seal	1.123
4.	SEAL ASSEMBLY - Water pump	1.123
5.	BODY - Water pump	1.073
6.	SHAFT & BEARING ASSEMBLY	1.108
7.	HUB - Water pump and fan pulley	1.063



RADIATOR ASSEMBLY

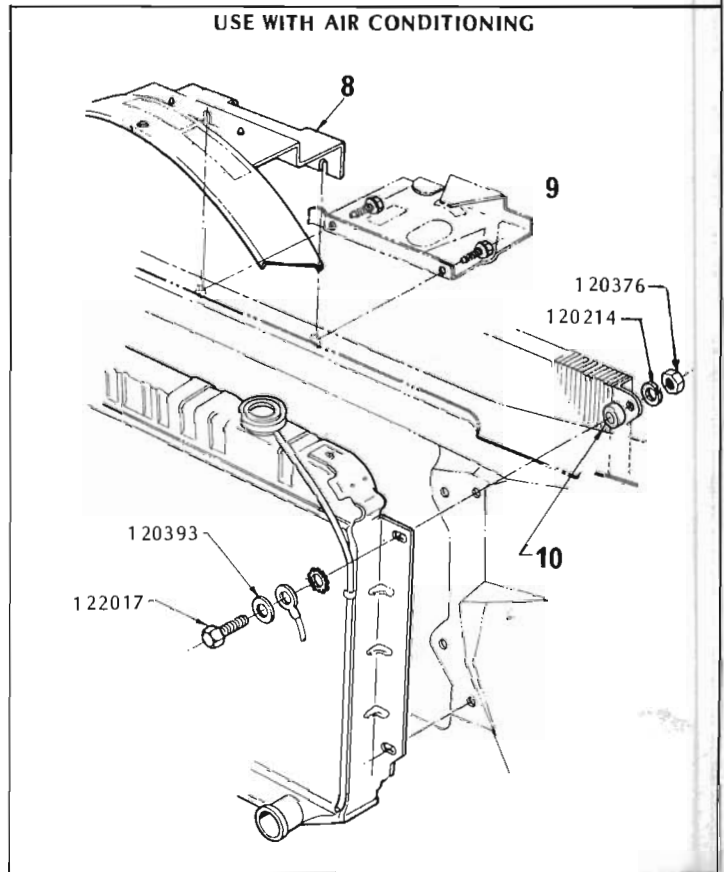
4 CYLINDER ENGINE

ILLUS. REF. NO.	PART NAME	GROUP	ILLUS. REF. NO.	PART NAME	GROUP
1.	RADIATOR ASSY.	1.219	6.	SUPPORT ASSY. - Radiator	1.270
2.	HOSE - Inlet	1.159	7.	CLIP - Pipes to engine	4.128
3.	CAP - Radiator pressure	1.203	8.	PIPE ASSY. - Oil cooler inlet	4.128
4.	CLIP - Inlet to outlet pipe	4.128	9.	PIPE ASSY. - Oil cooler outlet	4.128
5.	HOSE & SPRING PACKAGE - Outlet	1.159			



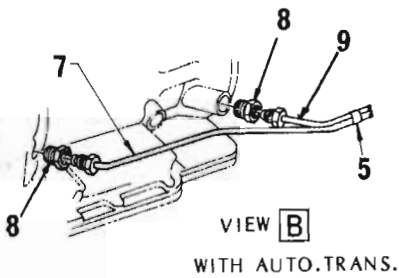
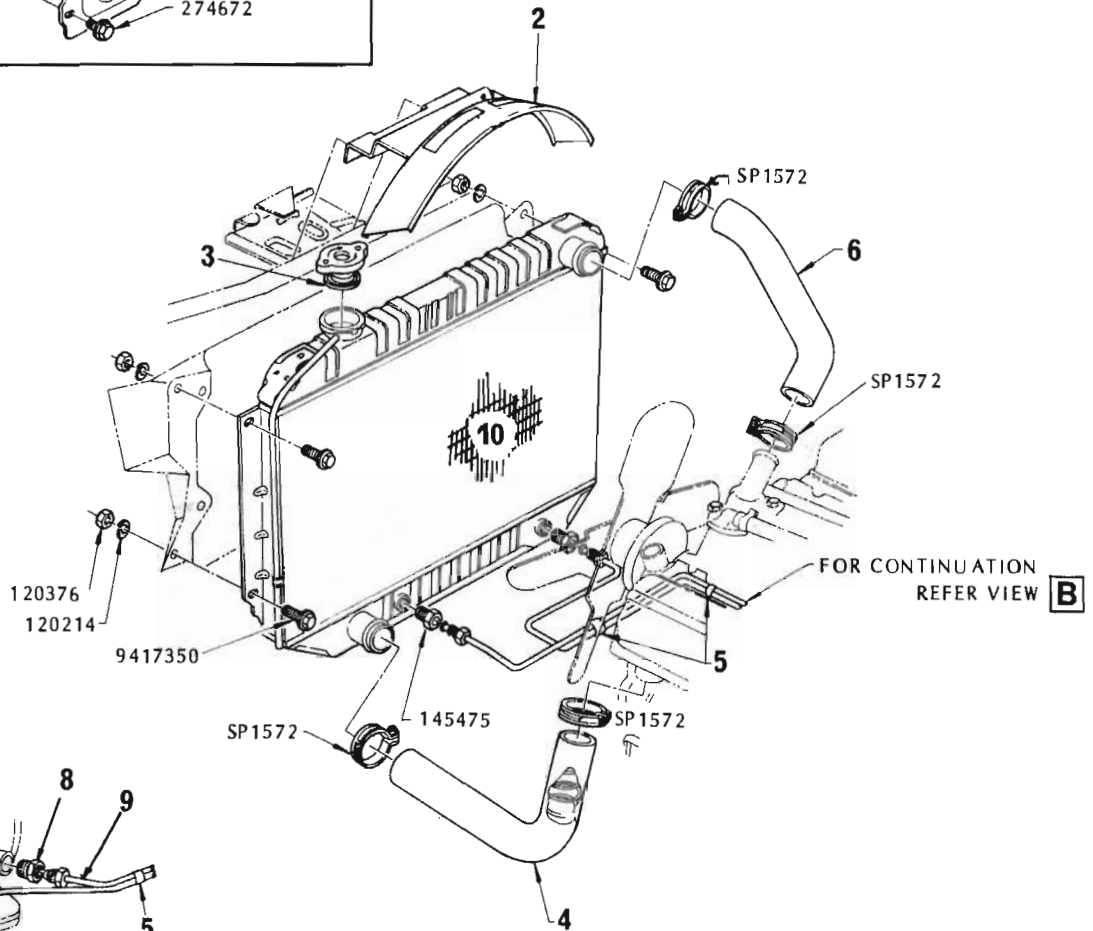
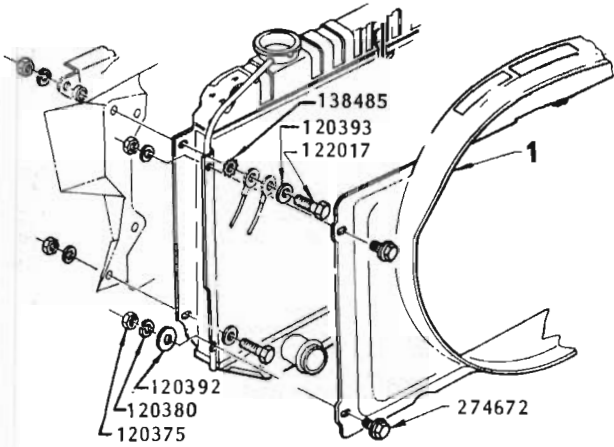
**RADIATOR ASSEMBLY
6 CYLINDER ENGINE**

ILLUS. REF. NO.	PART NO.	GROUP
1.	RADIATOR ASSY.	1.219
2.	CAP - Radiator pressure	1.203
3.	HOSE - Inlet	1.159
4.	HOSE & SPRING - Outlet	1.159
5.	PIPE ASSY. - Oil cooler inlet	4.128
6.	PIPE ASSY. - Oil cooler outlet	4.128
7.	CLIP - Inlet pipe to outlet pipe	4.128
8.	GUARD ASSY. - Fan	1.270
9.	LOCK & SUPPORT ASSY. - Hood	8.079
10.	SPACER - Condenser to radiator support ..	9.190



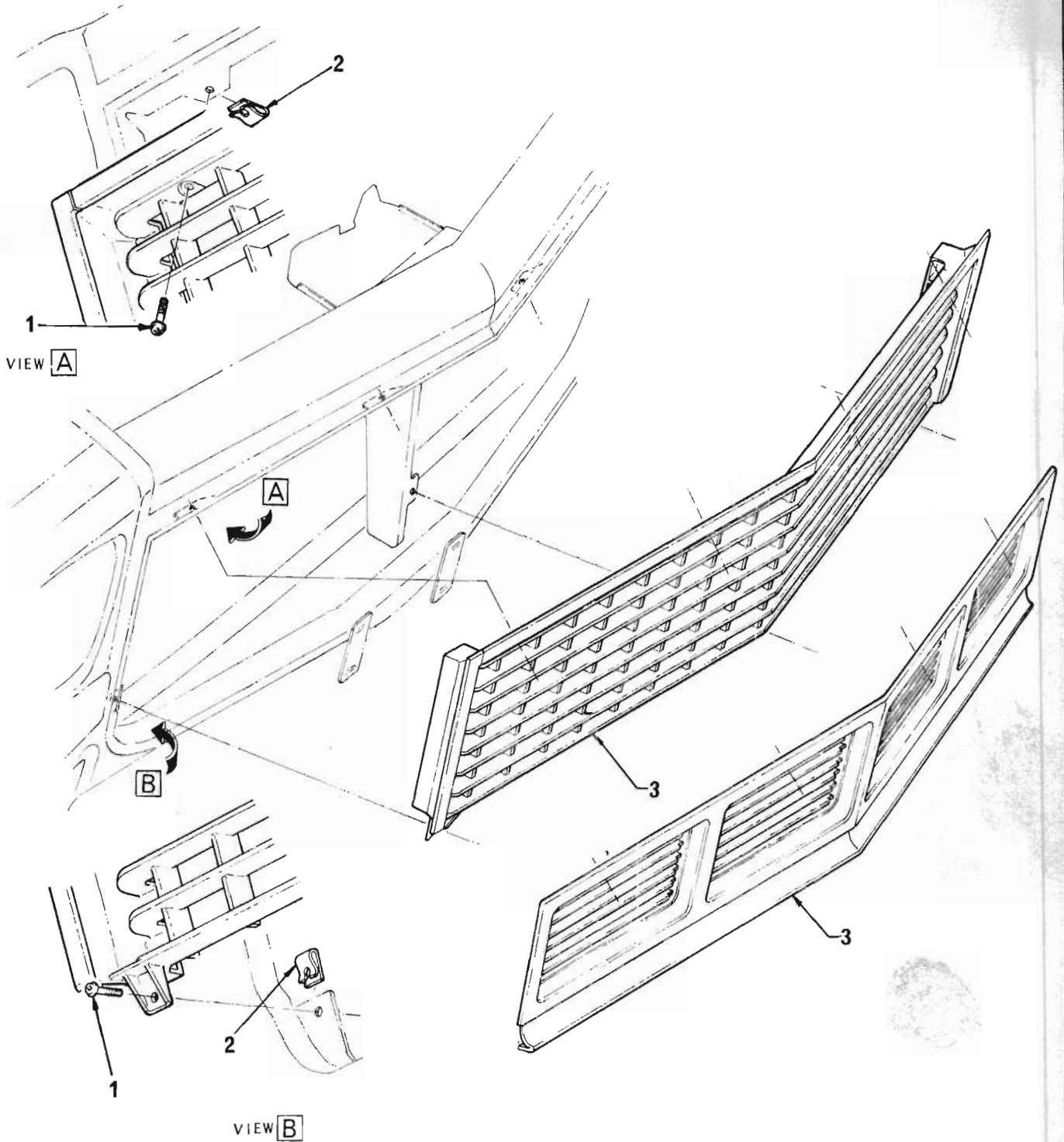
TORANA "LX" PARTS CATALOGUE

USE WITH AIR CONDITIONING



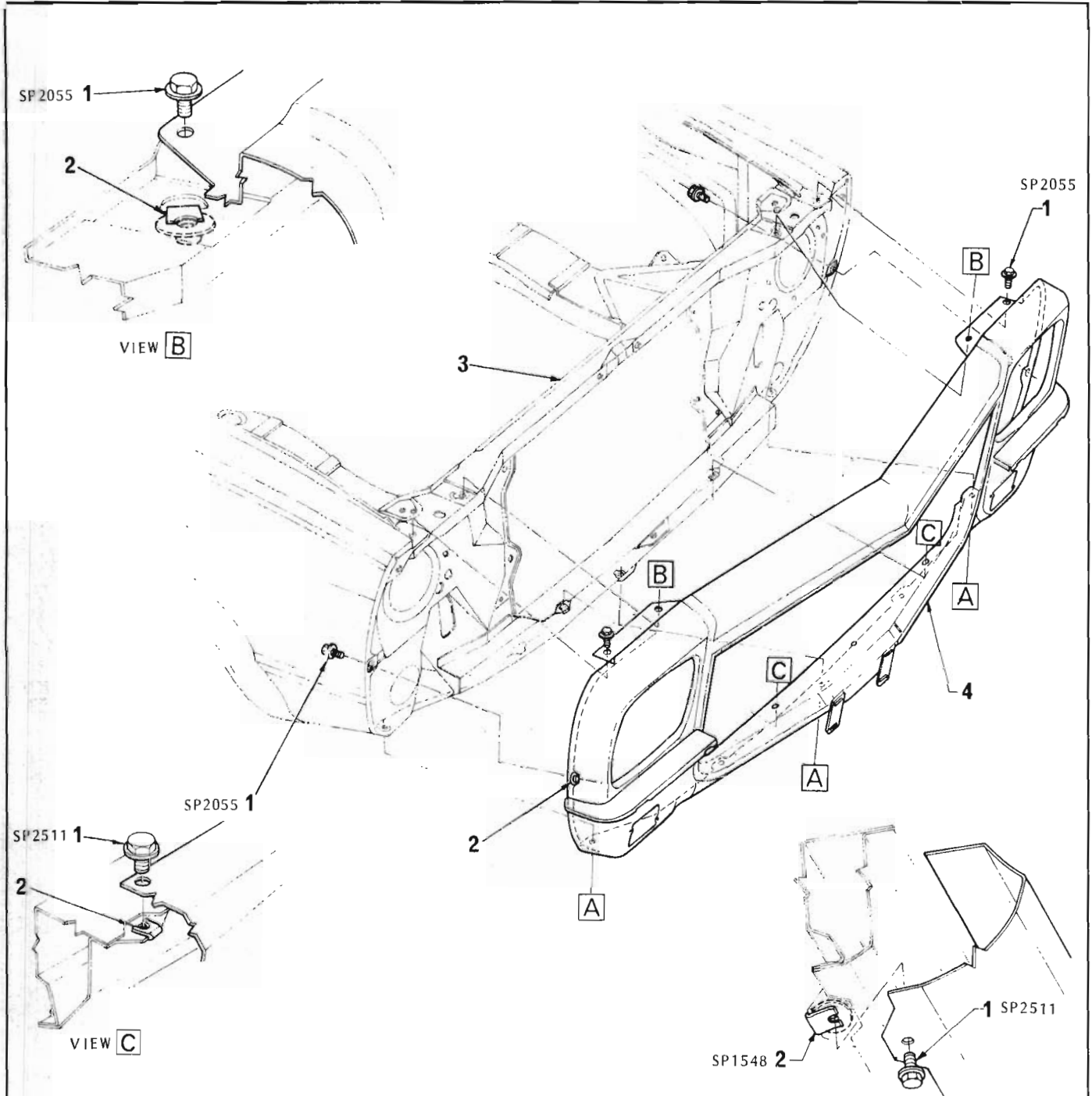
RADIATOR ASSEMBLY 8 CYLINDER ENGINE

ILLUS. REF. NO.	PART NAME	GROUP	ILLUS. REF. NO.	PART NAME	GROUP
1.	SHROUD - Fan	1.270	6.	HOSE - Inlet	1.159
2.	GUARD ASSY. - Fan	1.270	7.	PIPE ASSY. - Oil cooler outlet	4.128
3.	CAP - Radiator pressure	1.203	8.	CONNECTOR - Pipes to transmission	4.128
4.	HOSE & SPRING PACKAGE - Outlet	1.159	9.	PIPE ASSY. - Oil cooler inlet	4.128
5.	CLIP - Inlet pipe to outlet pipe	4.128	10.	RADIATOR ASSY.	1.219



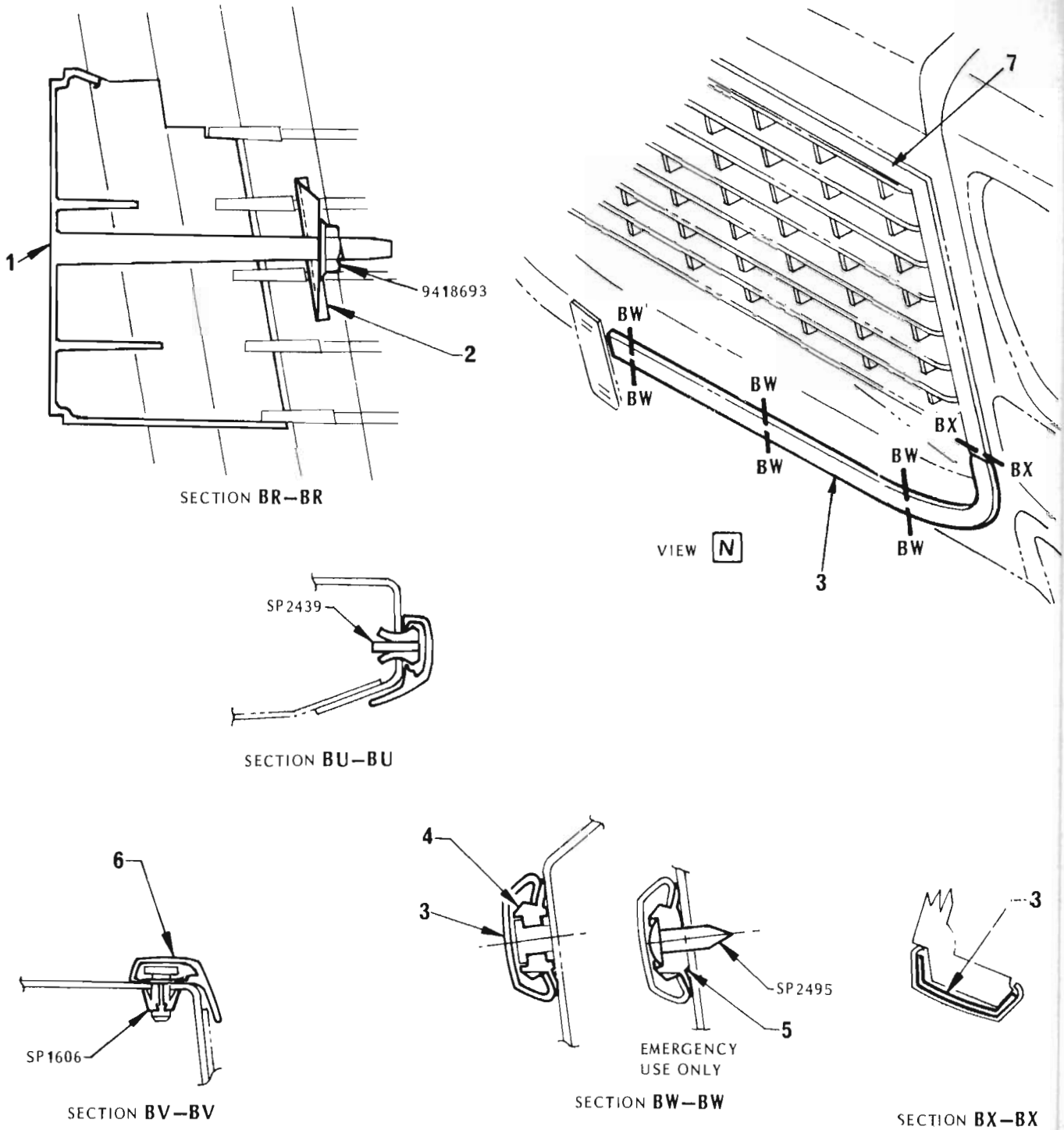
RADIATOR GRILLE

ILLUS. REF. NO.	PART NAME	GROUP
1.	SCREW – Radiator grille	1.266
2.	NUT – Radiator grille	1.266
3.	GRILLE – Radiator	1.266



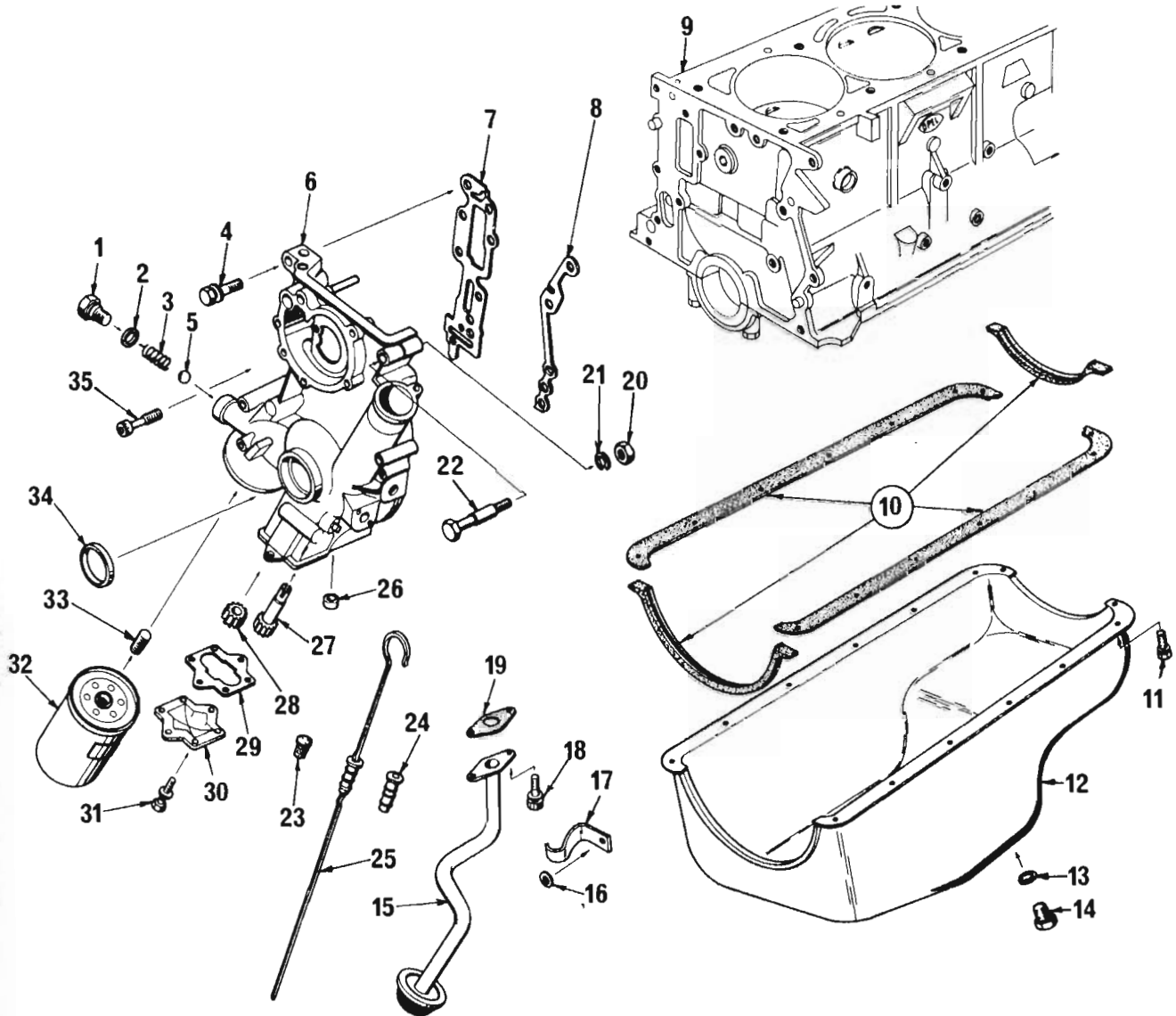
FRONT END PANELS

ILLUS. REF. NO.	PART NAME	GROUP
1.	SCREW & WASHER ASSY. - Hex.hd. 5/16" - 18 x .812	1.266
2.	NUT - "J" type 5/16" - 18	1.266
3.	PANEL ASSEMBLY - Radiator support	1.270
4.	PANEL ASSEMBLY - Front end	1.266



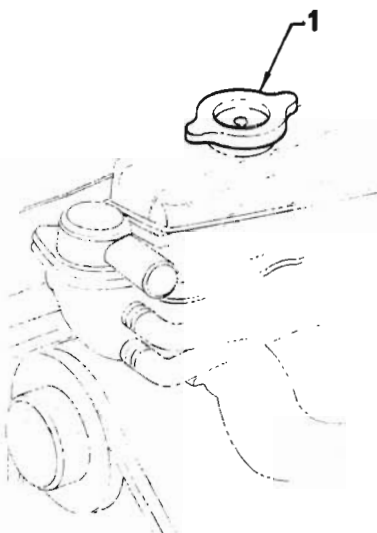
BODY MOULDINGS – RETAINERS and SCREWS

ILLUS. REF. NO.	PART NAME	GROUP
1.	EMBLEM – Grille	1.265
2.	BRACKET – Emblem	1.265
3.	MOULDING – Grille lower	1.266
4.	CLIP – Grille moulding – Stud type	1.266
5.	CLIP – Grille moulding – Screw type	1.266
6.	MOULDING – Tail lamp reveal	12.116
7.	MOULDING – Grille upper	1.266

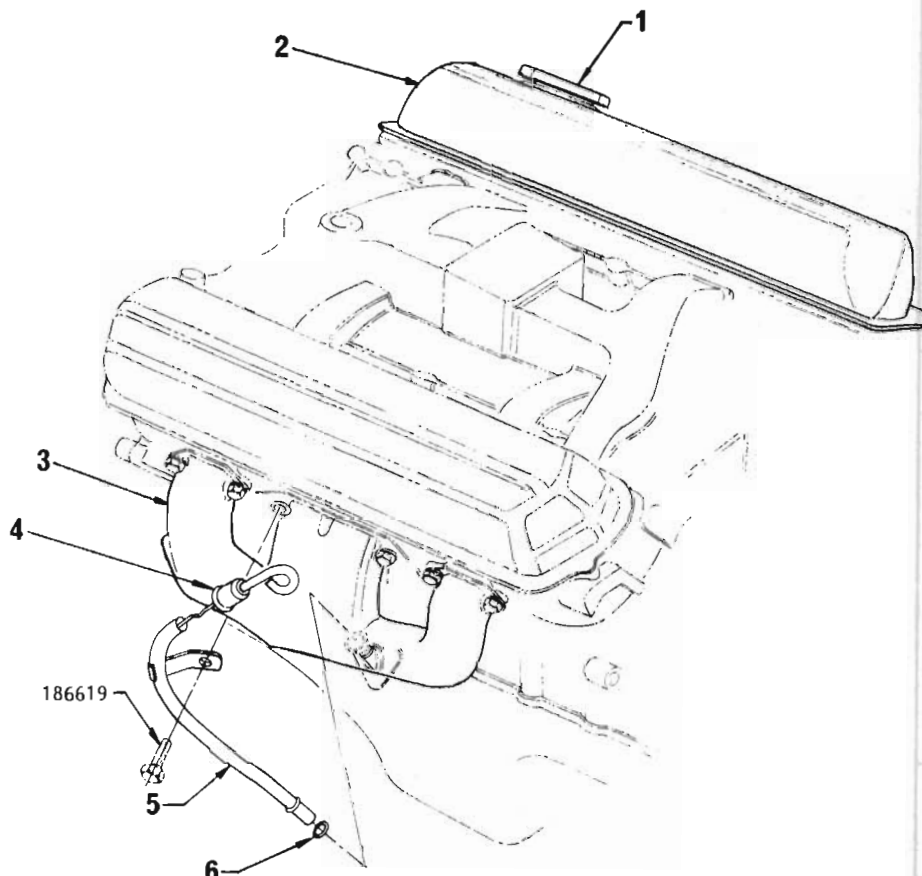


**OIL PUMP & PAN
4 CYL. ENG.**

ILLUS. REF. NO.	PART NAME	GROUP	ILLUS. REF. NO.	PART NAME	GROUP
1.	PLUG - Oil pressure regulator spring	1.611	19.	GASKET - Suction tube flange	1.656
2.	GASKET - Plug, 6mm x 22mm	1.611	20.	NUT - Hex. 7mm x 1 mm	0.206
3.	SPRING - Oil pressure regulator spring	1.610	21.	WASHER - Spring lock, 7.1mm	0.206
4.	BOLT - Hex. hd.	0.206	22.	SCREW - Cover to cylinder block	0.206
5.	BALL - Valve	1.609	23.	GUIDE - Oil level rod	1.516
6.	COVER ASSY. - Crankcase front end	0.206	24.	PLUG - Oil level rod	1.516
7.	GASKET - Crankcase front end cover (RH)..	0.207	25.	ROD - Oil level indicator	1.516
8.	GASKET - Crankcase front end cover (LH).	0.207	26.	SEAL - 17.2mm x 12mm x 5.5mm	0.209
9.	CYLINDER BLOCK ASSY.	0.033	27.	GEAR & SHAFT ASSY.	1.659
10.	GASKET SET - Oil pan	1.429	28.	GEAR - Driven	1.659
11.	SCREW & LOCK WASHER	1.426	29.	GASKET - Oil pump cover	1.724
12.	PAN ASSEMBLY - Oil	1.426	30.	COVER - Oil pump	1.723
13.	GASKET - Drain plug	1.453	31.	SCREW - Hex.hd. with spring washer.....	1.723
14.	PLUG - Oil pan drain	1.453	32.	ELEMENT - Oil filter	1.835
15.	TUBE & SCREEN ASSY.	1.656	33.	CONNECTOR - Element	1.835
16.	WASHER - Spring, 13.2mm	1.656	34.	SEAL - 60mm x 45mm x 10mm	0.209
17.	BRACKET - Tube	1.656	35.	SCREW - Hex.socket set, 8mm x 1.25mm x 11mm	0.206
18.	BOLT - Hex.hd. with spring washer	1.656			



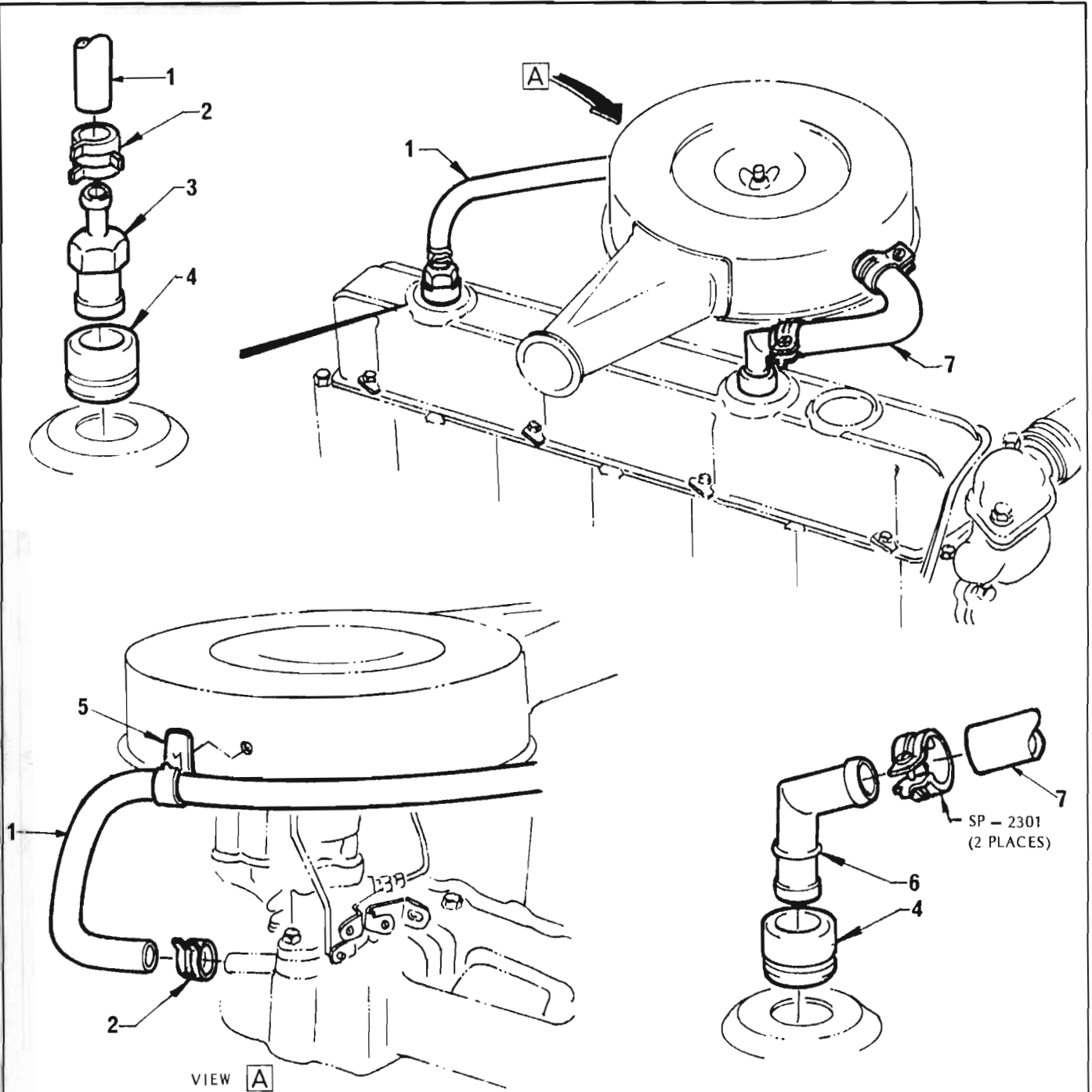
6 CYL. ENG.



8 CYL. ENG.

OIL INDICATOR & FILLER CAP

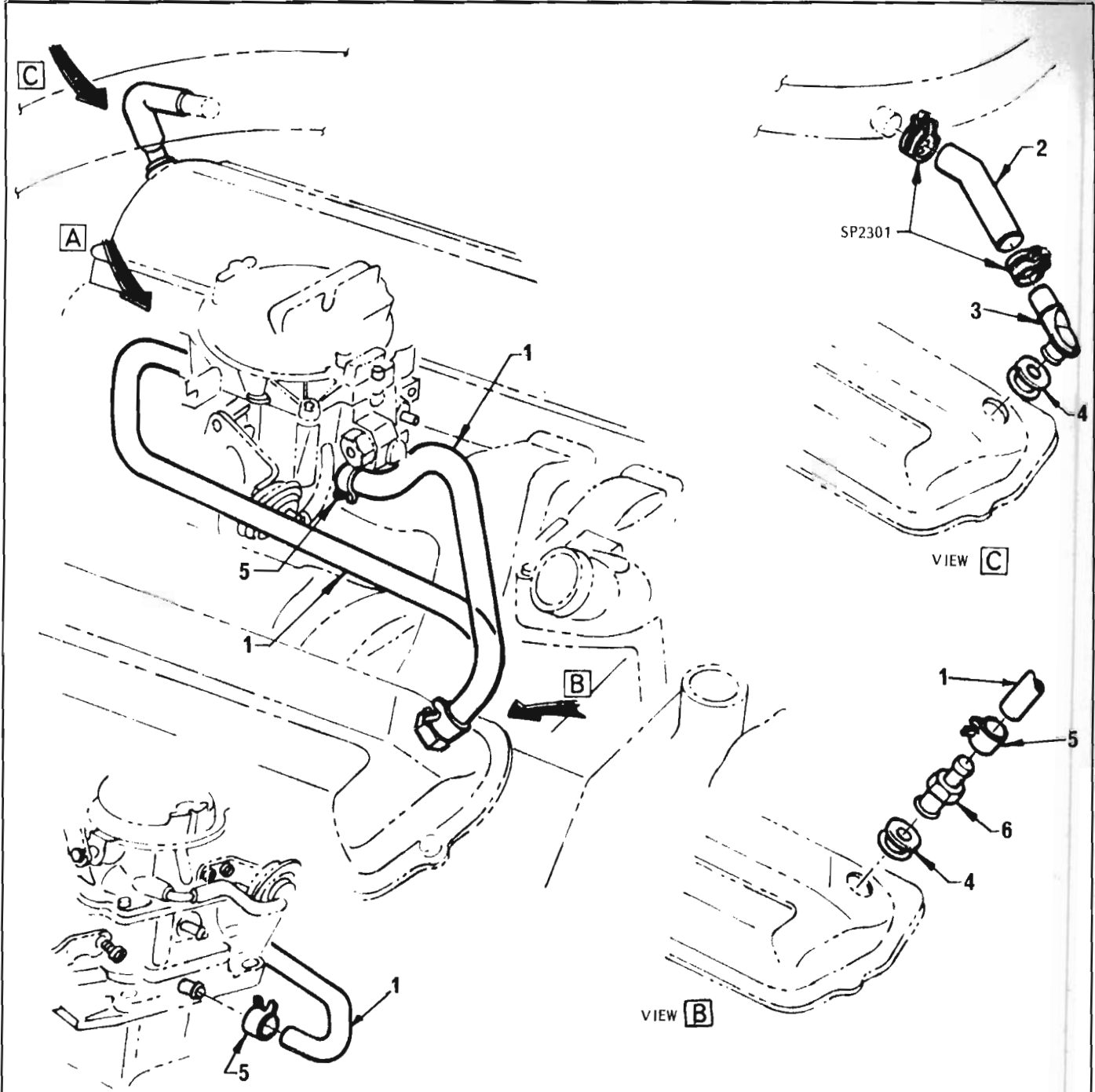
ILLUS. REF. NO.	PART NAME	GROUP	ILLUS. REF. NO.	PART NAME	GROUP
1.	CAP - Oil filler	1.758	4.	INDICATOR ASSY. - Oil level	1.516
2.	COVER ASSY. - Valve rocker	0.386	5.	TUBE ASSY. - Oil level indicator	1.516
3.	MANIFOLD ASSY. - Exhaust	3.601	6.	SEAL - Oil level indicator tube	1.516



ENGINE BREATHER

6 CYL. ENG.

ILLUS. REF. NO.	PART NAME	GROUP	ILLUS. REF. NO.	PART NAME	GROUP
1.	HOSE - Engine breather	1.762	5.	CLIP - Hose to air cleaner	1.762
2.	CLAMP - Breather hose	1.762	6.	CONNECTOR	1.762
3.	VALVE ASSEMBLY	1.762	7.	HOSE - Engine breather outlet	1.762
4.	GROMMET	1.745			



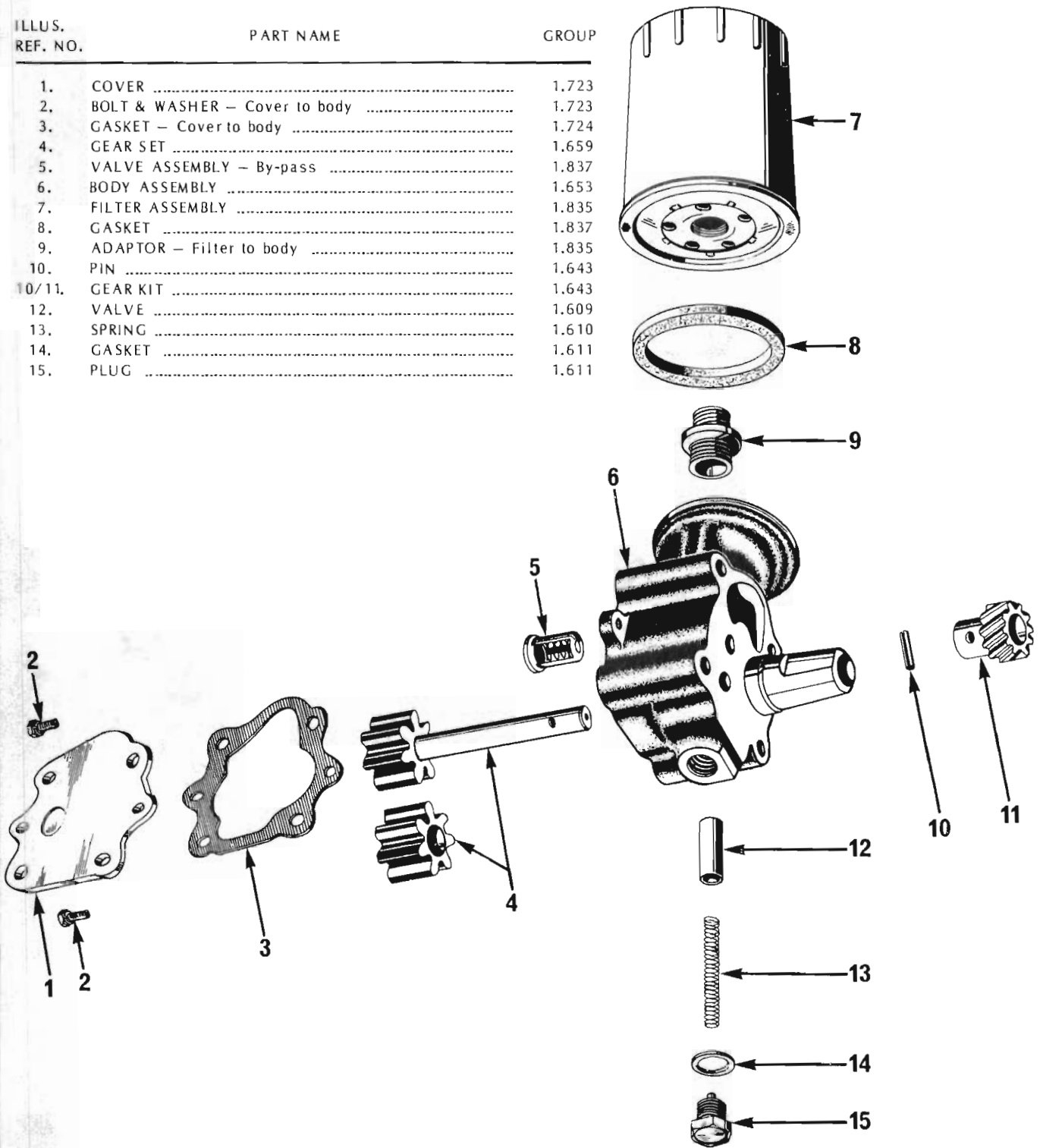
VIEW **A** WITH 4.2 LITRE

ENGINE BREATHER
8 CYL. ENG.

ILLUS. REF. NO.	PART NAME	GROUP	ILLUS. REF. NO.	PART NAME	GROUP
1.	HOSE – Engine breather	1.762	4.	GROMMET	1.745
2.	HOSE – Engine breather to air cleaner	1.762	5.	CLAMP – Breather hose	1.762
3.	CONNECTOR	1.762	6.	VALVE ASSEMBLY	1.762

OIL PUMP and FILTER
6 Cylinder Engine

ILLUS. REF. NO.	PART NAME	GROUP
1.	COVER	1.723
2.	BOLT & WASHER - Cover to body	1.723
3.	GASKET - Cover to body	1.724
4.	GEAR SET	1.659
5.	VALVE ASSEMBLY - By-pass	1.837
6.	BODY ASSEMBLY	1.653
7.	FILTER ASSEMBLY	1.835
8.	GASKET	1.837
9.	ADAPTOR - Filter to body	1.835
10.	PIN	1.643
10/11.	GEAR KIT	1.643
12.	VALVE	1.609
13.	SPRING	1.610
14.	GASKET	1.611
15.	PLUG	1.611



TORANA "LX" PARTS CATALOGUE

GROUP	DESCRIPTION	MODEL	SIDE	PART No.	QTY.
1.050 CLUTCH – Fan					
	CLUTCH ASSEMBLY	8 Cyl. Eng. Air Cond.		3937781	1
	STUD - Clutch & spacer to water pump	8 Cyl. Eng. Air Cond.		SP2635	4
	WASHER - Clutch & spacer to water pump	8 Cyl. Eng. Air Cond.		120214	4
	NUT - Clutch & spacer to water pump	8 Cyl. Eng. Air Cond.		120368	4
1.062 PULLEY – Water pump and fan					
	PULLEY	(M) 4 Cyl. Eng.		1334693	1
	PULLEY	6 Cyl. Eng.		2808189	1
	PULLEY	8 Cyl. Eng. exc. Air Cond.		7435189	1
	PULLEY	8 Cyl. Eng. Air Cond.		2812459	1
	ii	(A) 4cyl		1334702	1
1.063 HUB – Water pump and fan pulley					
	HUB	6, 8 Cyl. Eng.		7449209	1
1.064 BLADE – Fan					
	BLADE	4 Cyl. Eng. exc. Air Cond.		1340071	1
	WASHER - Fan, 31mm dia.	4 Cyl. Eng. exc. Air Cond.		1340850	1
	SCREW - Hex. hd. 6mm x 1 x 25mm	4 Cyl. Eng. exc. Air Cond.		2000126	4
	WASHER - Spring, 6.2mm	4 Cyl. Eng. exc. Air Cond.		2082102	4
	NUT - Hex., 6mm	4 Cyl. Eng. exc. Air Cond.		2064155	4
	BLADE	4 Cyl. Eng. Air Cond.		1340072	1
	SPACER - Fan blade	4 Cyl. Eng. Air Cond.		9933493	1
	BOLT - Fan blade	4 Cyl. Eng. Air Cond.		2000244	4
	WASHER - Fan & spacer to water pump	4 Cyl. Eng. Air Cond.		120393	4
	BOLT - Hex. hd. 8mm x 1.25 x 18mm	4 Cyl. Eng.		2010102	4
	BLADE ASSEMBLY	6 Cyl. Eng. exc. Air Cond.		2823424	1
	BLADE ASSEMBLY	6 Cyl. Eng. Air Cond.		9937024	1
	SPACER	6 Cyl. Eng.		2823840	1
	BOLT - Fan to hub	6 Cyl. Eng.		9430452	4
	WASHER - Fan to hub	6 Cyl. Eng.		120214	4
	BLADE ASSEMBLY	8 Cyl. Eng. exc. Air Cond.		3927791	1
	SPACER	8 Cyl. Eng. exc. Air Cond.		2823841	1
	BOLT - Fan to hub	8 Cyl. Eng. exc. Air Cond.		9430454	4
	WASHER - Fan to hub	8 Cyl. Eng. exc. Air Cond.		120214	4
	BLADE ASSEMBLY	8 Cyl. Eng. Air Cond.		3947772	1
	SPACER	8 Cyl. Eng. Air Cond.		9930002	1
	WASHER - Fan to hub	8 Cyl. Eng. Air Cond.		120214	4
	NUT - Fan to hub	8 Cyl. Eng. Air Cond.		120368	4
1.066 BELT – Fan and generator					
	BELT	(M) 4 Cyl. Eng.		1340671	1
	BELT	(A) 4 Cyl. Eng.		1340687	1
	BELT	6 Cyl. Eng. exc. Air Cond.		9934941	1
	BELT	6 Cyl. Eng. Air Cond.		2814845	1
	BELT	4.2 Litre Eng. exc. Air Cond.		9929501	1
	BELT	4.2 Litre Eng. Air Cond.		9931676	1
	BELT	5 Litre Eng. exc. Air Cond.		9433637	1
	BELT	5 Litre Eng. Air Cond.		9929501	1
1.069 PUMP – Water					
	PUMP ASSY.	4 Cyl. Eng.		1334035	1
	CAP - Pump closing	4 Cyl. Eng.		838550	1
	CLAMP - Pump closing cap	4 Cyl. Eng.		SP1701	1
	BOLT - Hex. hd. with spring washer, 7mm x 1 x 20mm	4 Cyl. Eng.		2018078	3
	BOLT - Hex. hd. with spring washer, 7mm x 1 x 72mm	4 Cyl. Eng.		2018077	3
	PUMP ASSY.	6 Cyl. Eng.		2823988	1
	BOLT & WASHER	6 Cyl. Eng.		7420070	2
	BOLT & WASHER ASSY. - Generator bracket	6 Cyl. Eng.		SP2040	1
	SEAL KIT - Heater hose connection	6 Cyl. Eng.		7430865	1
	PUMP ASSY.	8 Cyl. Eng.		2824553	1
	BOLT - Pump to front cover	8 Cyl. Eng.		9427637	2

TORANA "LX" PARTS CATALOGUE

GROUP	DESCRIPTION	MODEL	SIDE	PART No.	QTY.
1.069	PUMP – Water (contd.)				
	BOLT – Pump to cylinder block, flanged hex. hd. $\frac{5}{16}$ " – 18 x 1"	8 Cyl. Eng.		9427636	1
	BOLT – Pump to cylinder block, flanged hex. hd. $\frac{5}{16}$ " – 18 x 1 $\frac{3}{8}$ "	8 Cyl. Eng.		9428163	1
	BOLT – Pump to cylinder block, flanged hex. hd. $\frac{5}{16}$ " – 18 x 2 $\frac{1}{4}$ "	8 Cyl. Eng.		9427638	1
	BOLT – Pump to cylinder block, flanged hex. hd. $\frac{5}{16}$ " – 18 x 2 $\frac{1}{8}$ "	8 Cyl. Eng.		9427813	5
	BOLT – Pump to cylinder block, hex. hd. $\frac{5}{16}$ " – 18 x 3 $\frac{3}{4}$ "	8 Cyl. Eng.		188154	1
	WASHER – Pump to cylinder block	8 Cyl. Eng.		9416160	1
1.071	REPAIR KIT – Water pump				
	REPAIR KIT	6 Cyl. Eng.		M37645	1
	REPAIR KIT	8 Cyl. Eng.		2811054	1
1.073	BODY – Water pump				
	BODY	6 Cyl. Eng.		7420066	1
	BODY	8 Cyl. Eng.		2824541	1
1.079	GASKET – Water pump to engine				
	GASKET	4 Cyl. Eng.		1334734	1
	GASKET	6 Cyl. Eng.		7420069	1
	GASKET	8 Cyl. Eng.		7434749	1
1.108	SHAFT and BEARING – Water pump				
	SHAFT & BEARING ASSY.	6, 8 Cyl. Eng.		2823981	1
1.109	ROTOR – Water pump				
	ROTOR	6 Cyl. Eng.		7420068	1
	ROTOR	8 Cyl. Eng.		7438128	1
1.123	SEAL – Water pump				
	SEAL ASSY	6 Cyl. Eng.		6270078	1
	SEAL ASSY	8 Cyl. Eng.		1239465	1
	SEAT ASSY – Seal	8 Cyl. Eng.		1239469	1
1.153	OUTLET – Water				
	OUTLET	4 Cyl. Eng.		1336343	1
	BOLT – Hex. hd. 8 mm x 1.25 x 25 mm with lock washer	4 Cyl. Eng.		2008157	2
	OUTLET	6 Cyl. Eng.		7423284	1
	BOLT – Thermostat housing, hex. hd. $\frac{3}{8}$ " – 16 x 1 $\frac{1}{8}$ "	6 Cyl. Eng.		SP2071	1
	BOLT – Thermostat housing, hex. hd. $\frac{3}{8}$ " – 16 x 1 $\frac{3}{8}$ "	6 Cyl. Eng.		SP2070	1
	OUTLET	8 Cyl. Eng.		2805347	1
	BOLT – Thermostat housing	8 Cyl. Eng.		SP2030	2
1.154	GASKET – Water outlet				
	GASKET	4 Cyl. Eng.		1336560	1
	GASKET	6 Cyl. Eng.		7401111	1
	GASKET	8 Cyl. Eng.		7434795	1
1.159	HOSE – Radiator				
	HOSE – Inlet	4 Cyl. Eng. exc. Air Cond.		2825230	1
	HOSE – Inlet	4 Cyl. Eng. Air Cond.		9933373	1
	HOSE – Inlet	6 Cyl. Eng. exc. Air Cond., Heavy Duty Rad.		2812209	1
	HOSE – Inlet	6 Cyl. Eng. Air Cond.		9934125	1
	HOSE – Inlet	6 Cyl. Eng. Heavy Duty Rad.		9934125	1
	HOSE – Inlet	8 Cyl. Eng.		2812270	1
	HOSE – Outlet	4 Cyl. Eng. exc. Air Cond.		9933823	1

TORANA "LX" PARTS CATALOGUE

GROUP	DESCRIPTION	MODEL	SIDE	PART No.	QTY.
1.159	HOSE – Radiator (contd.)				
	HOSE - Outlet	4 Cyl. Eng. Air Cond.		9938144	1
	HOSE & SPRING PACKAGE - Outlet	6 Cyl. Eng.		2819473	1
	HOSE & SPRING PACKAGE - Outlet	8 Cyl. Eng.		2819474	1
1.166	CLAMP – Hose				
	CLAMP - Inlet hose, 1.88" dia.	4 Cyl. Eng.		SP1572	1
	CLAMP - Inlet hose, 1 5/8" dia.	4, 6 Cyl. Eng.		SP1004	2-1
	CLAMP - Inlet hose, 1.88" dia.	8 Cyl. Eng.		SP1572	2
	CLAMP - Outlet hose, 1.88" dia.	4 Cyl. Eng.		SP1572	1
	CLAMP - Outlet hose, 2 3/4" dia.	4 Cyl. Eng.		SP1543	1
	CLAMP - Outlet hose, 1.38" - 2.12" dia.	6 Cyl. Eng.		SP1557	1
	CLAMP - Outlet hose, 1.88" dia.	6, 8 Cyl. Eng.		SP1572	2-1
1.203	CAP – Radiator pressure				
	CAP	ALL		9928800	1
1.219	RADIATOR, CORE, SERVICE SET				
	RADIATOR ASSY. - Regular	(M) 4 Cyl. Eng.		9937905	1
	RADIATOR ASSY. - Regular	(A) 4 Cyl. Eng.		9937904	1
	RADIATOR ASSY. - Regular	(M) 6 Cyl. Eng. exc. Air Cond.		9937905	1
	RADIATOR ASSY. - Heavy duty	(M) 6 Cyl. Eng. exc. Air Cond.		9937131	1
	RADIATOR ASSY.	(M) 6 Cyl. Eng. Air Cond.		9937131	1
	RADIATOR ASSY. - Regular	(A) 6 Cyl. Eng. exc. Air Cond.		9937904	1
	RADIATOR ASSY. - Heavy duty	(A) 6 Cyl. Eng. exc. Air Cond.		9937130	1
	RADIATOR ASSY.	(A) 6 Cyl. Eng. Air Cond.		9937130	1
	RADIATOR ASSY. - Regular	(M) 8 Cyl. Eng. exc. Air Cond.		9938532	1
	RADIATOR ASSY. - Heavy duty	(M) 8 Cyl. Eng. exc. Air Cond.		9928803	1
	RADIATOR ASSY.	(M) 8 Cyl. Eng. Air Cond.		9928803	1
	RADIATOR ASSY. - Regular	(A) 8 Cyl. Eng. exc. Air Cond.		9938531	1
	RADIATOR ASSY. - Heavy duty	(A) 8 Cyl. Eng. exc. Air Cond.		9928804	1
	RADIATOR ASSY.	(A) 8 Cyl. Eng. Air Cond.		9928804	1
	CORE ASSY.	(M) 4 Cyl. Eng.		2813475	1
	CORE ASSY.	(A) 4 Cyl. Eng.		2822057	1
	CORE ASSY. - Regular	(M) 6 Cyl. Eng. exc. Air Cond.		2813473	1
	CORE ASSY. - Heavy duty	(M) 6 Cyl. Eng. exc. Air Cond.		VS12764	1
	CORE ASSY.	(M) 6 Cyl. Eng. Air Cond.		VS12764	1
	CORE ASSY. - Regular	(A) 6 Cyl. Eng. exc. Air Cond.		2813475	1
	CORE ASSY. - Heavy duty	(A) 6 Cyl. Eng. exc. Air Cond.		VS12764	1
	CORE ASSY.	(A) 6 Cyl. Eng. Air Cond.		VS12764	1
	CORE ASSY. - Regular	(M) 8 Cyl. Eng. exc. Air Cond.		2820197	1
	CORE ASSY. - Heavy duty	(M) 8 Cyl. Eng. exc. Air Cond.		7438983	1
	CORE ASSY.	(M) 8 Cyl. Eng. Air Cond.		7438983	1
	CORE ASSY. - Regular	(A) 8 Cyl. Eng. exc. Air Cond.		2820198	1
	CORE ASSY. - Heavy duty	(A) 8 Cyl. Eng. exc. Air Cond.		7438983	1
	CORE ASSY.	(A) 8 Cyl. Eng. Air Cond.		7438983	1
	COOLER ASSY. - Oil - Regular	(A) 4 Cyl. Eng.		2820103	1
	COOLER ASSY. - Oil - Regular	(A) 6 Cyl. Eng. exc. Air Cond.		2820103	1
	COOLER ASSY. - Oil - Heavy duty	(A) 6 Cyl. Eng.		2820102	1
	COOLER ASSY. - Oil	(A) 6 Cyl. Eng. Air Cond.		2820102	1
	COOLER ASSY. - Oil	(A) 8 Cyl. Eng.		2820102	1
	STRAP & BRACKET KIT	4 Cyl. Eng.		2813478	1
	STRAP & BRACKET KIT - Regular	6 Cyl. Eng. exc. Air Cond.		2813478	1
	STRAP & BRACKET KIT - Heavy duty	6 Cyl. Eng. exc. Air Cond.		VS12823	1
	STRAP & BRACKET KIT	6 Cyl. Eng. Air Cond.		VS12823	1
	STRAP & BRACKET KIT - Regular	8 Cyl. Eng. exc. Air Cond.		VS12823	1
	STRAP & BRACKET KIT - Heavy duty	8 Cyl. Eng. exc. Air Cond.		VS12765	1
	STRAP & BRACKET KIT	8 Cyl. Eng. Air Cond.		VS12765	1
	PIPE - Overflow	4 Cyl. Eng.		7427774	1
	PIPE - Overflow - Regular radiator	6 Cyl. Eng. exc. Air Cond.		7427774	1
	PIPE - Overflow, Heavy duty radiator	6 Cyl. Eng. exc. Air Cond.		7438985	1
	PIPE - Overflow	6 Cyl. Eng. Air Cond.		7438985	1
	PIPE - Overflow	8 Cyl. Eng.		7438985	1

TORANA "LX" PARTS CATALOGUE

GROUP	DESCRIPTION	MODEL	SIDE	PART No.	QTY.
1.221 BOLT – Radiator support					
	BOLT – Hex. washer hd. $\frac{5}{16}$ " – 18 x $\frac{3}{4}$ "	ALL		9417350	A.R.
	WASHER – Lock	ALL		120214	A.R.
1.246 THERMOSTAT					
	THERMOSTAT ASSY.	4 Cyl. Eng.		1338028	1
	THERMOSTAT ASSY.	6, 8 Cyl. Eng.		3749086	1
1.251 HOUSING – Thermostat					
	HOUSING	4 Cyl. Eng.		1338115	1
	CAP – Housing closing	4 Cyl. Eng.		838550	1
	CLAMP – Housing closing cap	4 Cyl. Eng.		SP1701	1
	BOLT – Hex. hd. 8 mm x 1.25 x 32 mm	4 Cyl. Eng.		2016501	3
	HOUSING	6 Cyl. Eng.		2820816	1
	SEAL KIT – Heater hose connection	6 Cyl. Eng.		7430865	1
	BOLT & SPRING WASHER ASSY. – Hex. hd. $\frac{3}{8}$ " – 16 x $1\frac{1}{4}$ "	6 Cyl. Eng.		SP2068	2
	BOLT & SPRING WASHER ASSY. – Hex. hd. $\frac{3}{8}$ " – 16 x 2"	6 Cyl. Eng.		SP2069	1
	BOLT – Hex. hd. $\frac{3}{8}$ " – 16 x $2\frac{3}{4}$ "	6 Cyl. Eng.		180137	1
1.252 GASKET – Thermostat housing					
	GASKET	4 Cyl. Eng.		1338209	1
	GASKET	6 Cyl. Eng.		7429459	1
1.265 PLATE – Radiator grille name					
	PLATE – "SL" name	VC		9929525	1
	BRACKET – Name plate	VC		9929526	1
1.265 EMBLEM – Radiator grille					
	EMBLEM – "Holden"	UH New Zealand		9935729	1
	EMBLEM – "Holden"	VB, VC		9935729	1
	EMBLEM – "Holden"	VD Sedan		9935729	1
	EMBLEM "SS"	VD Hatchback		9940479	1
	BRACKET	VB, VC, VD		9940509	1
	NUT – "SS" emblem attaching	VD Hatchback <i>ALL</i>		9418693	2
1.265 LETTER, CLIP – Front end panel					
	LETTER "T"	exc. VD Hatchback		2825918	1
	LETTER "O"	exc. VD Hatchback		2825919	1
	LETTER "R"	exc. VD Hatchback		2825920	1
	LETTER "A"	exc. VD Hatchback		2825921	2
	LETTER "N"	exc. VD Hatchback		2825922	1
	CLIP – Letter	exc. VD Hatchback		SP2419	12
1.266 GRILLE – Radiator					
	GRILLE	UG		9931390	1
	GRILLE	UH exc. New Zealand		9931390	1
	GRILLE	UH New Zealand		9929521	1
	GRILLE	VB exc. G Pak		9929520	1
	GRILLE	VC		9929521	1
	GRILLE	VD, G Pak		9929522	1
	SCREW – Radiator grille	ALL		SP2440	6-7
	NUT – Radiator grille	ALL		SP2050	6-7
	MOULDING – Grille upper	ALL		9929292	1
	MOULDING – Grille side	ALL	LH	9929233	1
			RH	9929232	1
	MOULDING – Grille lower	VC, VD	LH	9929533	1
			RH	9929532	1
	MOULDING – Grille lower	UH New Zealand	LH	9929533	1
			RH	9929532	1
	CLIP – Moulding	UH, VC		9938151	6

TORANA "LX" PARTS CATALOGUE

GROUP	DESCRIPTION	MODEL	SIDE	PART No.	QTY.
1.266	PANEL – Front end				
	PANEL ASSY.	UG, UH, VB, VC		9935966	1
	PANEL ASSY.	VD Sedan		9935966	1
	PANEL ASSY.	VD Hatchback		9931556	1
	SCREW & WASHER ASSY. – Hex. hd. $\frac{3}{16}$ " – 18 x .812"	ALL		SP2055	6
	SCREW & WASHER ASSY. – Hex. hd. $\frac{3}{16}$ " – 18 x .812"	ALL		SP2511	5
	NUT – "J" type $\frac{3}{16}$ " – 18	ALL		SP1548	11
1.270	SUPPORT, PANEL – Radiator				
	SUPPORT ASSY.	4 Cyl. Eng. exc. Air Cond.		9930137	1
	SUPPORT ASSY.	4 Cyl. Eng. Air Cond.		9933307	1
	PANEL ASSY – Radiator support	ALL		2824762	1
	BOLT – Support assy. to front panel	4 Cyl. Eng. Air Cond.		122017	4
	WASHER – Support assy. to front panel	4 Cyl. Eng. Air Cond.		120393	4
	GUARD ASSEMBLY – Fan	6 Cyl. Eng. Air Cond.			
		RIGHT HAND DRIVE		9937129	1
		LEFT HAND DRIVE		9940507	1
	GUARD ASSEMBLY – Fan	6 Cyl. Eng. Heavy Duty Radiator			
		RIGHT HAND DRIVE		9937129	1
		LEFT HAND DRIVE		9940507	1
	GUARD ASSEMBLY – Fan	8 Cyl. Eng. exc. Air Cond.			
		RIGHT HAND DRIVE		9937129	1
		LEFT HAND DRIVE		9940507	1
	SHROUD – Fan	8 Cyl. Eng. Air Cond.		9931732	1
	BOLT – Shroud to Radiator	8 Cyl. Eng. Air Cond.		274672	4
	BRACKET – Shroud support, upper	8 Cyl. Eng. Air Cond.	LH	9939385	1
			RH	9939386	1
	BRACKET – Shroud support, lower	8 Cyl. Eng. Air Cond.	LH	9939387	1
			RH	9939388	1
	BUMPER – Fan guard to radiator	6 Cyl. Eng. Heavy duty radiator		7433103	2
	BUMPER – Fan guard to radiator	6 Cyl. Eng. Air Cond.		7433103	2
	BUMPER – Fan guard to radiator	8 Cyl. Eng. exc. Air Cond.		7433103	2
	BUMPER – Fan guard to hood	6 Cyl. Eng. Heavy duty radiator		7438383	1
	BUMPER – Fan guard to hood	6 Cyl. Eng. Air Cond.		7438383	1
	BUMPER – Fan guard to hood	8 Cyl. Eng. exc. Air Cond.		7438383	1
1.426	PAN – Oil				
	PAN ASSY.	4 Cyl. Eng.		652052	1
	SCREW & LOCK WASHER	4 Cyl. Eng.		2018053	16
	PAN ASSY.	6 Cyl. Eng.		2809284	1
	BOLT & LOCK WASHER ASSY.	6 Cyl. Eng.		423335	22
	BOLT & LOCK WASHER ASSY.	6 Cyl. Eng.		3719206	4
	PAN ASSY.	8 Cyl. Eng.		2809789	1
	SCREW & LOCK WASHER ASSY.	8 Cyl. Eng.		7436618	16
	SCREW & LOCK WASHER	8 Cyl. Eng.		7436617	4
1.429	GASKET UNIT – Oil pan				
	GASKET SET	4 Cyl. Eng.		1606230	1
	GASKET UNIT	6 Cyl. Eng.		2819472	1
	SEAL – Oil pan front	6 Cyl. Eng.		7420001	1
	SEAL – Oil pan rear	6 Cyl. Eng.		3788444	1
	PACKING – Seal	6 Cyl. Eng.		2815269	2
	GASKET SET	8 Cyl. Eng.		2811059	1
	SEAL – Front	8 Cyl. Eng.		7434735	1
	SEAL – Rear	8 Cyl. Eng.		7434734	1
1.453	PLUG – Oil pan drain				
	PLUG	4 Cyl. Eng.		652491	1
	GASKET – Drain plug	4 Cyl. Eng.		2091011	1
	PLUG & GASKET ASSY.	6, 8 Cyl. Eng.		7423483	1
	PLUG & GASKET – Oversize $\frac{3}{16}$ " – 18	6, 8 Cyl. Eng.		7433631	1
	GASKET – $\frac{3}{16}$ "	6, 8 Cyl. Eng.		7433633	1
	GASKET – Drain plug	6, 8 Cyl. Eng.		513975	1

TORANA "LX" PARTS CATALOGUE

GROUP	DESCRIPTION	MODEL	SIDE	PART No.	QTY.
1.516	ROD, TUBE, SUPPORT, CLIP, INDICATOR – Oil				
	ROD - Oil level indicator	4 Cyl. Eng.		658060	1
	GUIDE - Oil level rod	4 Cyl. Eng.		658310	1
	PLUG - Oil level rod	4 Cyl. Eng.		658151	1
	INDICATOR ASSY - Oil level	6 Cyl. Eng.		2809297	1
	TUBE - Oil level indicator	6 Cyl. Eng.		7427625	1
	INDICATOR ASSY - Oil level	8 Cyl. Eng.		9930577	1
	TUBE ASSY - Oil level indicator	8 Cyl. Eng.		2825821	1
	SEAL - Oil level indicator tube	8 Cyl. Eng.		274244	1
1.609	VALVE – Oil pressure regulator				
	BALL - Valve	4 Cyl. Eng.		(⁵⁹ 2088008	1
	VALVE	4 Cyl. Eng.		(⁶⁰ 647776	1
	VALVE	6 Cyl. Eng.		3702366	1
	PIN - Stop	6 Cyl. Eng.		142953	1
	VALVE	8 Cyl. Eng.		1199080	1
	CAP - Valve	8 Cyl. Eng.		1194360	1
	GASKET - Valve cap	8 Cyl. Eng.		7435833	1
1.610	SPRING, SPACER – Oil pressure regulator valve				
	SPRING	4 Cyl. Eng.		(⁵⁹ 646859	1
	SPRING	4 Cyl. Eng.		(⁶⁰ 646861	1
	SPRING	6 Cyl. Eng.		3837115	1
	SPRING	8 Cyl. Eng.		7439491	1
1.611	PLUG – Oil pressure regulator spring				
	PLUG	4 Cyl. Eng.		(⁵⁹ 646800	1
	PLUG	4 Cyl. Eng.		(⁶⁰ 646805	1
	GASKET - Plug, 6mm x 22mm	4 Cyl. Eng.		(⁵⁹ 2091016	1
	SEAL - Plug	4 Cyl. Eng.		(⁶⁰ 2091041	1
	PLUG	6 Cyl. Eng.		7426909	1
	GASKET	6 Cyl. Eng.		7417490	1
1.643	GEAR KIT – Oil pump drive				
	GEAR KIT	6 Cyl. Eng.		7423613	1
	GEAR	8 Cyl. Eng.		7434732	1
	PIN - Slotted spring $\frac{3}{16}$ " x $\frac{3}{4}$ "	6, 8 Cyl. Eng.		454512	1
1.652	PUMP – Oil				
	PUMP ASSY.	6 Cyl. Eng.		7449396	1
	PUMP ASSY.	8 Cyl. Eng.		2815887	1
	BOLT & SPRING WASHER ASSY. - Hex. hd. $\frac{5}{16}$ " - 18 x $2\frac{7}{8}$ "	6 Cyl. Eng.		SP2028	4
	BOLT - Oil pump to cylinder block	8 Cyl. Eng.		9427813	4
	<i>REPAIR KIT</i>	8 " "		<i>1237755</i>	1
1.653	BODY and DRIVEN GEAR SHAFT – Oil pump				
	BODY & DRIVEN GEAR SHAFT ASSY	6 Cyl. Eng.		9942699	1
	BODY ASSY	8 Cyl. Eng.		2815888	1
	BUSHING - Drive shaft	8 Cyl. Eng.		(9939823) <i>9942699</i>	1
1.654	GASKET – Oil pump to block				
	GASKET	6 Cyl. Eng.		7420017	1
	GASKET	8 Cyl. Eng.		7434848	1
1.656	PIPE & SCREEN – Oil pump				
	TUBE & SCREEN ASSY.	4 Cyl. Eng.		648337	1
	GASKET - Suction tube flange	4 Cyl. Eng.		648401	1
	BRACKET - Tube	4 Cyl. Eng.		648624	1
	WASHER - Spring, 13.2 mm	4 Cyl. Eng.		2082110	1
Note:	(⁵⁹ Use with oil pump cover 646675.				
	(⁶⁰ Use with oil pump cover 646587.				

TORANA "LX" PARTS CATALOGUE

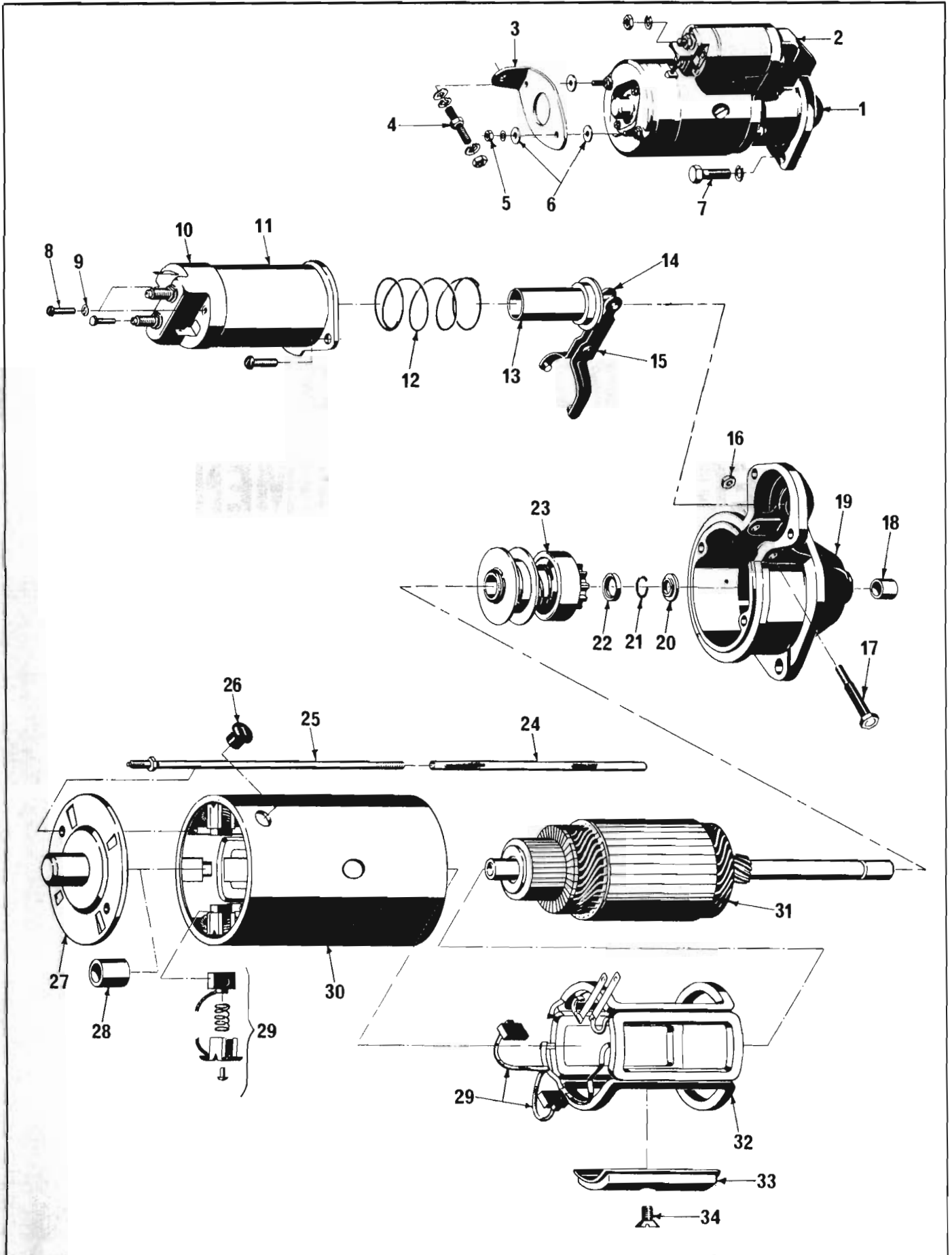
GROUP	DESCRIPTION	MODEL	SIDE	PART No.	QTY.
1.656	PIPE & SCREEN – Oil pump (contd.)				
	BOLT - Hex. hd. with spring washer 6 mm x 1 x 15 mm	4 Cyl. Eng.		2018052	2
	PIPE & SCREEN ASSY.	6 Cyl. Eng.		2809294	1
	CONNECTOR - Suction pipe & screen to Cylinder block inverted flared tube 1/2"	6 Cyl. Eng.		425224	1
	BOLT and WASHER - Suction pipe & screen to cylinder block	6 Cyl. Eng.		423335	1
	PIPE & SCREEN ASSY.	8 Cyl. Eng.		2809791	1
	BOLT & WASHER - Suction pipe & screen to cylinder block	8 Cyl. Eng.		SP2065	2
	GASKET - Suction pipe flange	8 Cyl. Eng.		7434859	1
1.658	SHAFT – Oil pump driven gear				
	SHAFT	6 Cyl. Eng.		7420011	1
	SHAFT - Driven gear	8 Cyl. Eng.		9939322	1
	SHAFT - Drive	8 Cyl. Eng.		7434740	1
1.659	GEAR SET – Oil pump				
	GEAR & SHAFT ASSY. (Standard)	4 Cyl. Eng.		646338	1
	GEAR & SHAFT ASSY. (.02 mm O/S)	4 Cyl. Eng.		646339	1
	GEAR - Driven (Standard)	4 Cyl. Eng.		646560	1
	GEAR - Driven (.2 mm O/S)	4 Cyl. Eng.		646561	1
	GEAR SET	6 Cyl. Eng.		2815102	1
	GEAR SET	8 Cyl. Eng.		2811680	1
	GEAR & SHAFT ASSY	8 Cyl. Eng.		7434755	1
	GEAR - Primary	8 Cyl. Eng.		3764551	1
	GEAR - Secondary	8 Cyl. Eng.		3764551	1
1.723	COVER – Oil pump				
	COVER - (Without relief valve)	4 Cyl. Eng.		646675	1
	COVER - (With relief valve)	4 Cyl. Eng.		646587	1
	SCREW - Hex. hd. with spring washer, 6 mm x 1 x 18 mm	4 Cyl. Eng.		2014155	6
	COVER	6 Cyl. Eng.		7426937	1
	BOLT & WASHER - Cover to Oil pump body	6 Cyl. Eng.		SP1566	2
	COVER	8 Cyl. Eng.		7434932	1
	BOLT & WASHER - Cover to oil pump body	8 Cyl. Eng.		186493	2
	PLUG - Oil pump cover	8 Cyl. Eng.		9421744	1
1.724	GASKET – Oil pump cover				
	GASKET	4 Cyl. Eng.		646908	1
	GASKET	6 Cyl. Eng.		7420016	1
	GASKET	8 Cyl. Eng.		7434849	1
1.745	GROMMET – Valve cover to block vent				
	GROMMET	6 Cyl. Eng.		9928699	2
	GROMMET	8 Cyl. Eng.		7439585	2
1.758	CAP – Oil filler				
	CAP	4 Cyl. Eng.		654456	1
	CAP ASSY	6, 8 Cyl. Eng.		3835665	1
1.762	VALVE, HOSE, ADAPTOR – Crankcase ventilator				
	HOSE - Engine breather	4 Cyl. Eng.		9931512	1
	CLAMP - Hose to air cleaner	4 Cyl. Eng.		272848	1
	VALVE ASSY	6 Cyl. Eng.		1533669	1
	HOSE - Engine breather	6 Cyl. Eng.		7438562	1
	HOSE - Engine breather outlet	6 Cyl. Eng.		9941176	1
	CONNECTOR	6 Cyl. Eng.		9939187	1
	CLAMP - Breather hose	6 Cyl. Eng.		3829058	2
	TUBE - Vacuum hose fitting in manifold	6 Cyl. Eng.		7433250	1
	ELBOW - HOSE TO AIR CLEANER	4 " "		993513	1

TORANA "LX" PARTS CATALOGUE

GROUP	DESCRIPTION	MODEL	SIDE	PART No.	QTY.
1.762	VALVE, HOSE, ADAPTOR – Crankcase ventilator (contd.)				
	CLIP - Hose to air cleaner	6 Cyl. Eng.		SP1868	1
	VALVE ASSY.	8 Cyl. Eng.		6421976	1
	HOSE - Engine breather	4.2 Litre Eng.		(³⁴ 9928963)	1
	HOSE - Engine breather	5 Litre Eng.		(³⁴ 9928962)	1
	HOSE - Engine breather to air cleaner	8 Cyl. Eng. exc. Air Cond.		9932335	1
	HOSE - Engine breather to air cleaner	8 Cyl. Eng. Air Cond.		9933205	1
	CLAMP - Breather hose	8 Cyl. Eng.		(³⁴ 3829058)	2
	CONNECTOR	8 Cyl. Eng.		(³⁴ 9932185)	1
1.803	SWITCH – Oil pressure tell-tale				
	SWITCH - Warning lamp equipment	4 Cyl. Eng.		1252506	1
	SWITCH ASSEMBLY - Warning lamp equipment	6, 8 Cyl. Eng.		7441302	1
1.803	SENDER UNIT – Oil pressure – Engine unit				
	SENDER UNIT	4 Cyl. Eng.		9939801	1
	SENDER UNIT	6, 8 Cyl. Eng.		9932442	1
1.835	FILTER – Oil				
	ELEMENT	4 Cyl. Eng.		SD	1
	CONNECTOR - Element	4 Cyl. Eng.		650426	1
	FILTER ASSY.	6, 8 Cyl. Eng.		PF10	1
	ADAPTOR	6 Cyl. Eng. <i>8 CYC</i>		7434874	1
	<i>FILTER PACKAGE CONTAINS 6</i>	<i>6-8 CYC</i>		<i>9943150</i>	<i>AK</i>
1.837	GASKET, VALVE – Oil filter				
	BALL - Valve short circuit	4 Cyl. Eng.		2088009	1
	SPRING - Ball valve	4 Cyl. Eng.		638540	1
	SLEEVE - Ball valve	4 Cyl. Eng.		638520	1
	GASKET	6, 8 Cyl. Eng.		5574397	1
	VALVE ASSY - By-pass	6, 8 Cyl. Eng.		5575416	1
1.928	PLUG – Cylinder head and block oil gallery				
	PLUG - 14.5 mm dia.	4 Cyl. Eng.		606702	1
	PLUG - 7 mm dia.	4 Cyl. Eng.		606710	6
	PLUG - 8.5 mm dia.	4 Cyl. Eng.		606711	2
	PLUG - 12.5 mm dia.	4 Cyl. Eng.		606564	3
	PLUG - Cylinder block	4 Cyl. Eng.		2060275	1
	PLUG - Cylinder block oil gallery, front	6, 8 Cyl. Eng.		7419064	1-3
	PLUG - Cylinder block oil gallery, rear	6, 8 Cyl. Eng.		444782	1-3

Note: (³⁴ Use without fuel evaporative emission control.

GROUP 2.000
ELECTRICAL – INSTRUMENTS

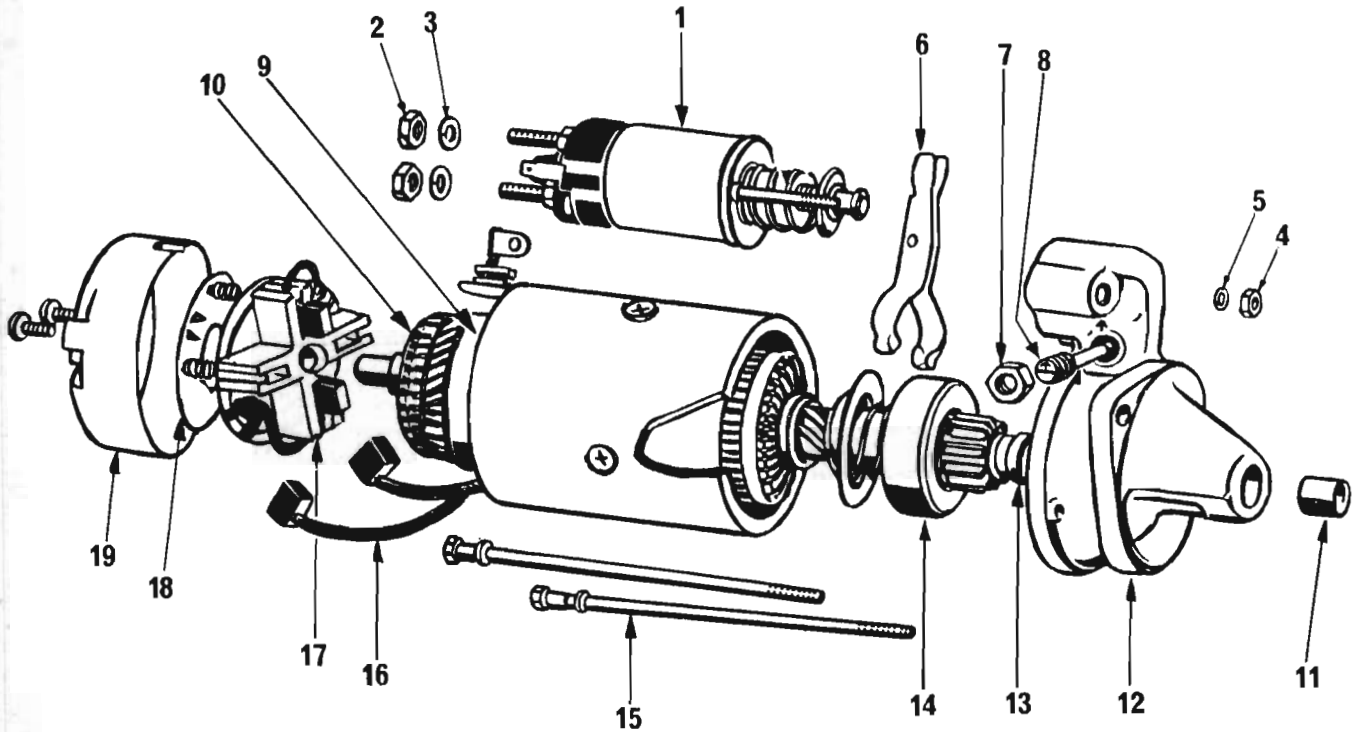


STARTER MOTOR – DELCO REMY

4 Cylinder Engine

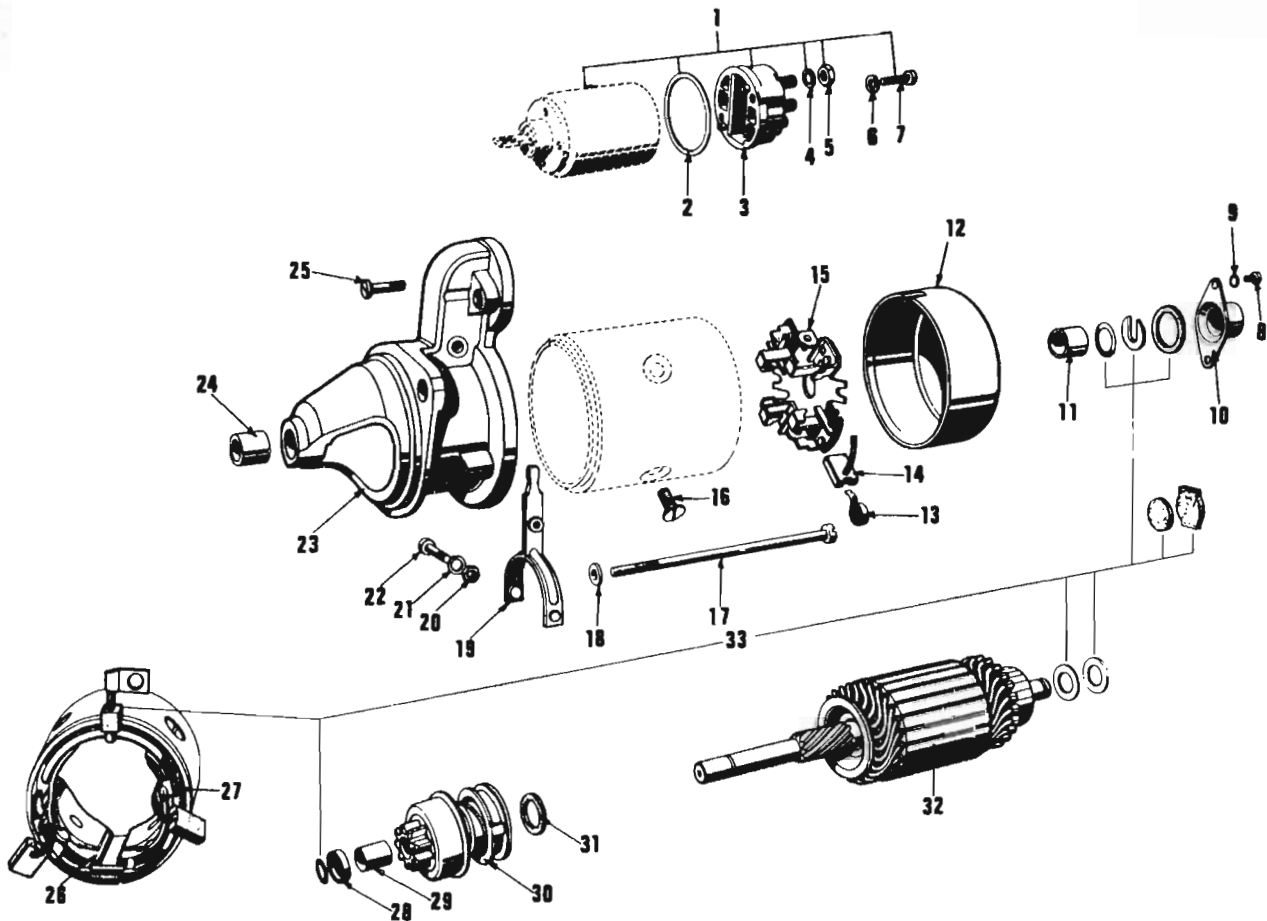
ILLUSTRATION OPPOSITE

ILLUS. REF. NO.	PART NAME	GROUP
1.	MOTOR ASSEMBLY	2.041
2.	SWITCH – Solenoid	2.100
3.	SUPPORT – Starter to engine	2.041
4.	STUD – Support to engine	2.041
5.	NUT – Support to starter	2.041
6.	WASHER – Support to starter	2.041
7.	BOLT – Starter motor	2.041
8.	SCREW – Cover attaching	
9.	WASHER – Cover attaching screw	
10.	COVER – Switch	
11.	CASE & COIL	N.S.S.
12.		
13.		
14.		
15.		
16.		
17.		
18.	BUSHING – Drive end	2.083
19.	HOUSING	2.085
20.		
21.		
22.		
23.	DRIVE ASSEMBLY	2.086
24.		
25.		
26.	INSULATOR – Terminal to solenoid	
27.	FRAME	
28.	BUSHING – Commutator end	2.083
29.	BRUSH SET	2.051
30.	HOUSING	N.S.S.
31.	ARMATURE	2.043
32.	COIL SET	2.049
33.	SHOE POLE	
34.	SCREW – Pole shoe	



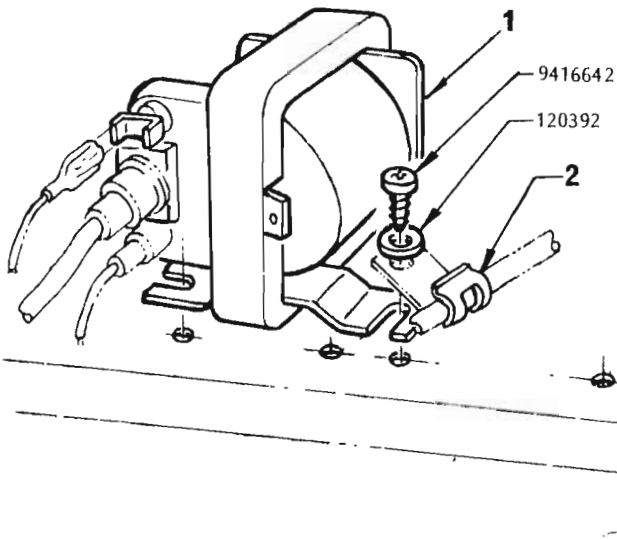
STARTER MOTOR — Lucas
6 CYLINDER ENGINE

ILLUS. REF. NO.	PART NAME	GROUP	ILLUS. REF. NO.	PART NAME	GROUP
1 - 20.	STARTER MOTOR ASSY.	2.041	11.	BUSHING — Drive end	2.083
1.	SWITCH ASSY. — Solenoid	2.100	12.	HOUSING — Starter motor drive	2.085
2.	NUT — Terminal	2.100	13.	COLLAR — Drive end	2.096
3.	WASHER — Terminal nut	2.100	14.	DRIVE ASSY.	2.086
4.	NUT — Switch attaching	2.100	15.	BOLT — Starter motor through	2.077
5.	WASHER — Switch attaching nut	2.100	16.	BRUSH SET — Starter motor	2.051
6.	LEVER — Starter motor shift	2.108	17.	HOLDER — Starter motor brush	2.052
7.	NUT — Pivot pin	2.108	18.	SPRING & PLATE ASSY. — Starter motor	
8.	PIN — Shaft lever pivot	2.108		brush	2.053
9.	COIL SET	2.049	19.	FRAME ASSY. — Commutator end	2.067
10.	ARMATURE	2.043	20.	SCREW — Attaching	2.052

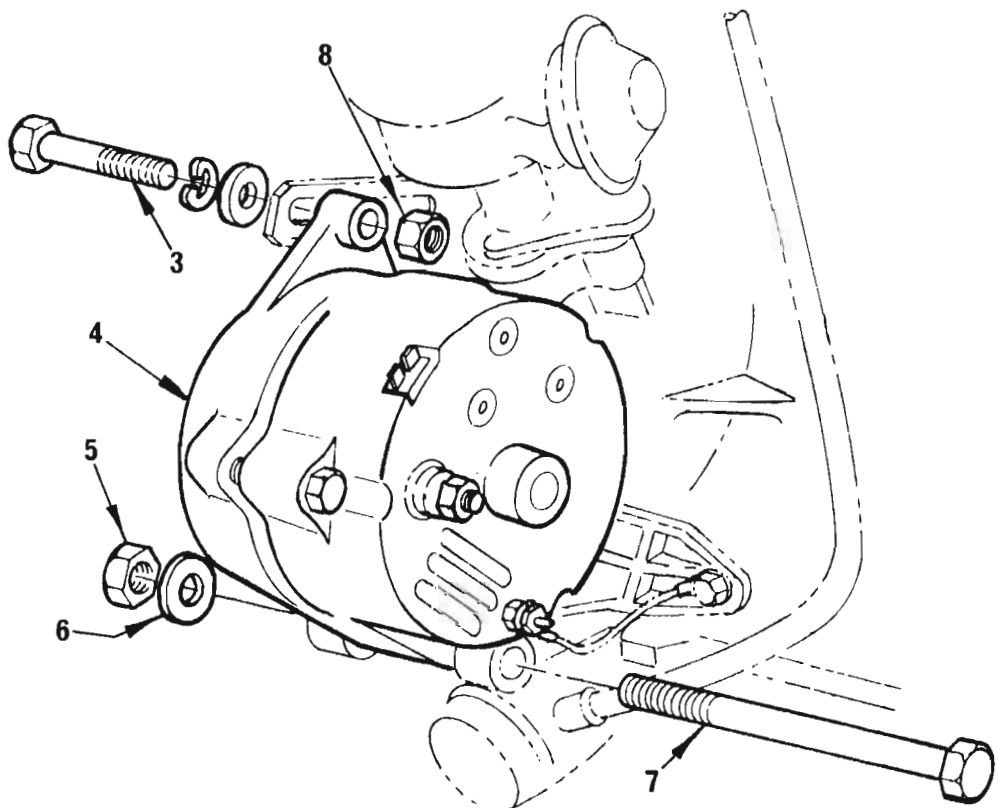


STARTER MOTOR – Bosch

ILLUS. REF. NO.	PART NAME	GROUP	ILLUS. REF. NO.	PART NAME	GROUP
1-33	STARTER MOTOR ASSY.	2.041	17.	BOLT – Through	2.077
1.	SWITCH – Solenoid	2.100	18.	WASHER – Through bolt	2.077
2.	GASKET – Solenoid	2.102	19.	LEVER	2.108
3.	COVER – Solenoid switch	2.102	20.	NUT	2.108
4.	WASHER – Main terminal	2.102	21.	WASHER	2.108
5.	NUT – Contact bolt	2.102	22.	SCREW	2.108
6.	WASHER – Cover attaching screw... ..	2.102	23.	HOUSING	2.085
7.	SCREW – Cover attaching	2.102	24.	BUSHING – Drive end	2.083
8.	SCREW – Bearing cap	2.063	25.	SCREW – Solenoid switch attaching	2.100
9.	WASHER – Bearing cap screw	2.063	26.	COIL ASSEMBLY	2.049
10.	CAP – Bearing	2.063	27.	INSULATOR	2.049
11.	BUSHING – Commutator end	2.083	28.	RING – Stop	2.096
12.	FRAME – Commutator end	2.067	29.	BUSHING – Drive	2.087
13.	SPRING – Brush	2.053	30.	DRIVE ASSEMBLY	2.086
14.	BRUSH SET	2.051	31.	BUFFER – Drive	2.087
15.	PLATE – Brush holder	2.052	32.	ARMATURE	2.043
16.	SCREW – Pole shoe	2.077	33.	SUNDRY PARTS SET	2.080



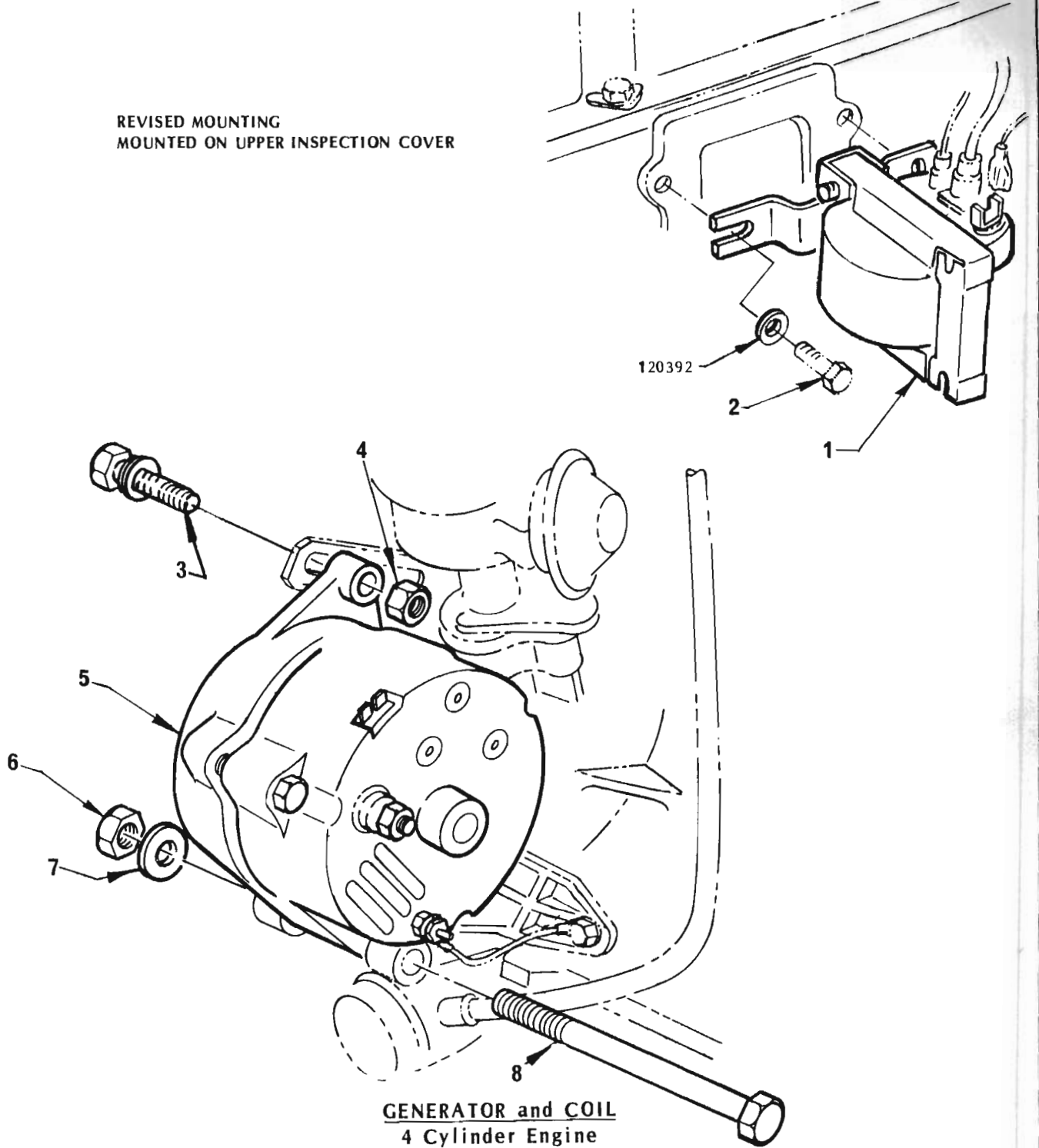
EARLY PRODUCTION
MOUNTED ON LH ENGINE MOUNTING SIDE RAIL



GENERATOR and COIL
4 Cyl. Eng.

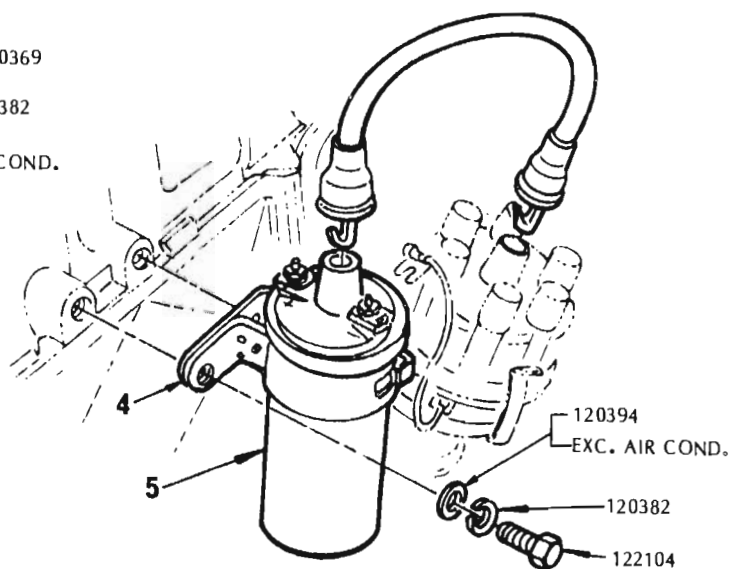
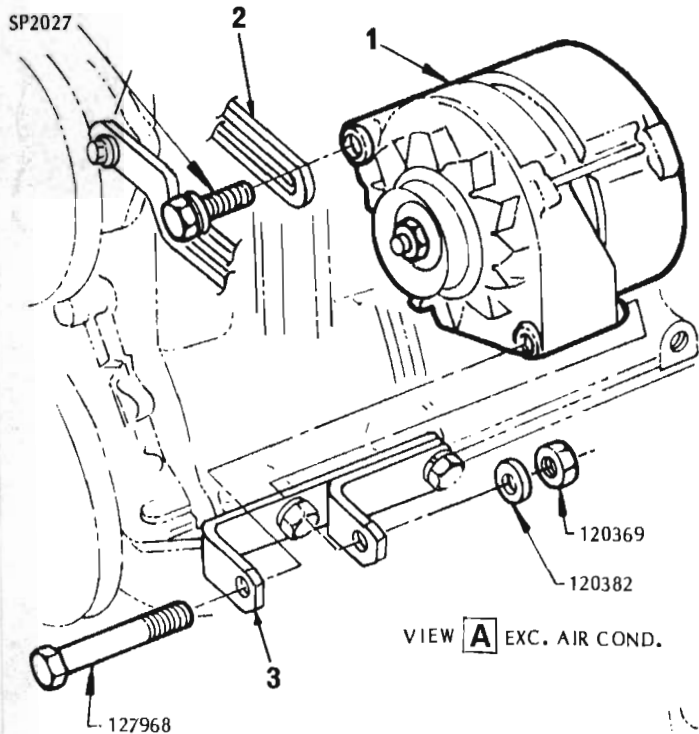
ILLUS. REF. NO.	PART NAME	GROUP	ILLUS. REF. NO.	PART NAME	GROUP
1.	COIL & BRACKET ASSY. - Ignition	2.170	5.	NUT - Generator to bracket bolt	2.277
2.	CLIP - Starter cable to coil	2.342	6.	WASHER - Generator to bracket bolt	2.277
3.	BOLT - Generator to brace	2.317	7.	BOLT - Generator to bracket	2.277
4.	GENERATOR ASSEMBLY	2.275	8.	NUT - Generator to brace bolt	2.317

REVISED MOUNTING
MOUNTED ON UPPER INSPECTION COVER



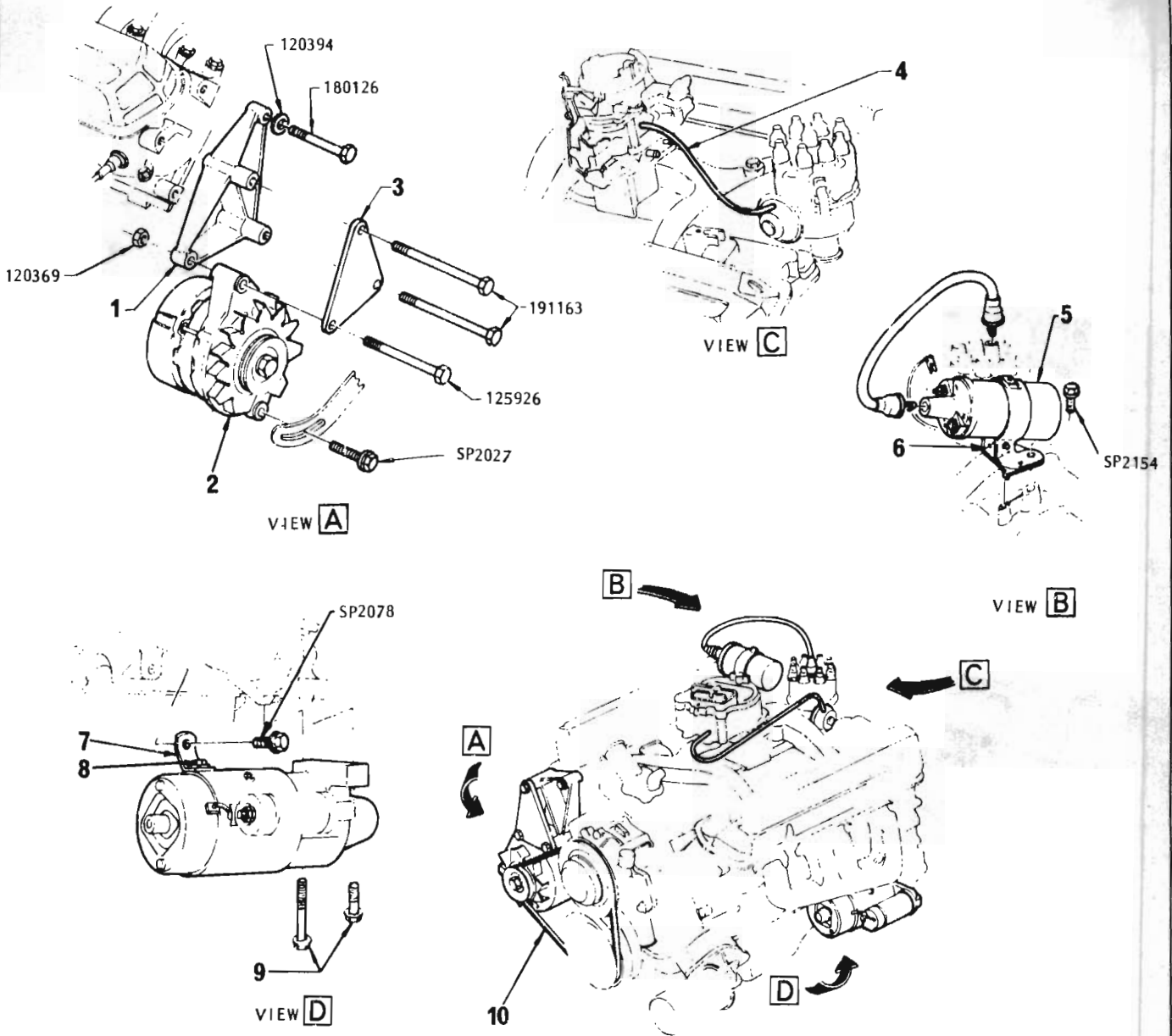
GENERATOR and COIL
4 Cylinder Engine

ILLUS. REF. NO.	PART NAME	GROUP
1.	COIL & BRACKET ASSY. - Ignition	2.170
2.	BOLT - Bracket to upper inspection cover	2.170
3.	BOLT - Generator to brace	2.317
4.	NUT - Generator to brace bolt	2.317
5.	GENERATOR ASSEMBLY	2.275
6.	NUT - Generator to bracket bolt	2.277
7.	WASHER - Generator to bracket bolt	2.277
8.	BOLT - Generator to bracket	2.277



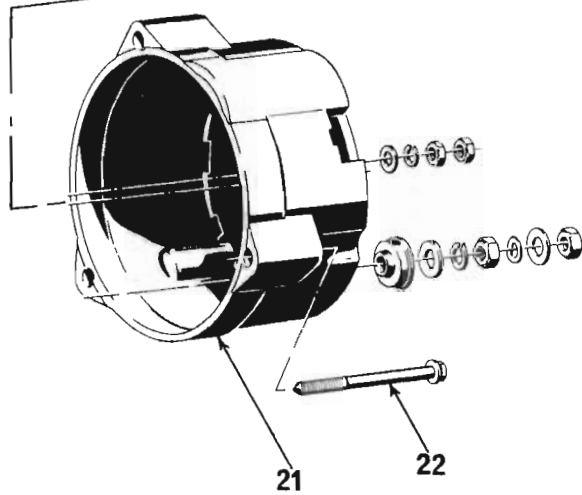
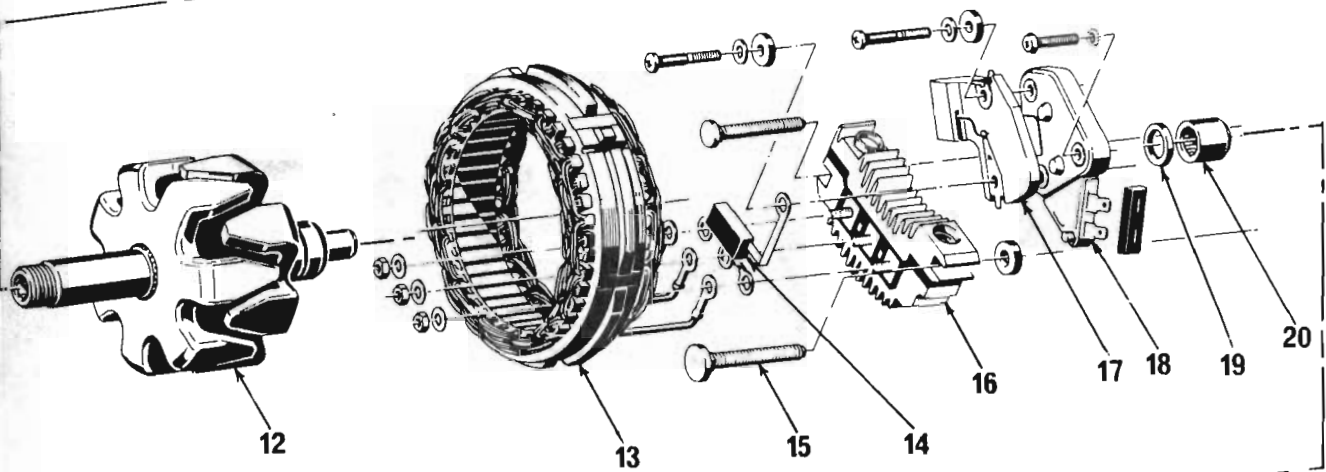
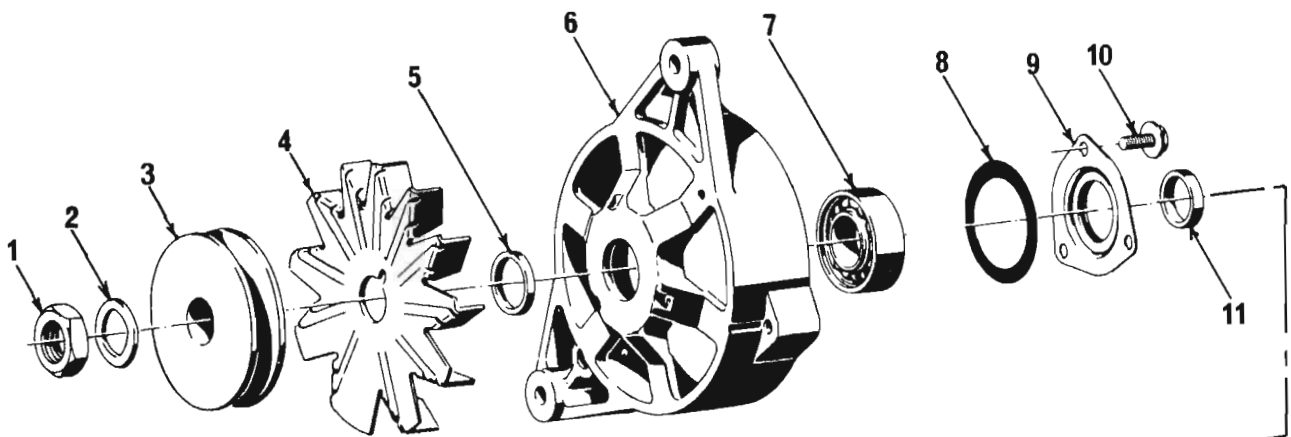
GENERATOR and COIL
6 Cyl. Eng.

ILLUS. REF. NO.	PART NAME	GROUP	ILLUS. REF. NO.	PART NAME	GROUP
1.	GENERATOR ASSEMBLY	2.275	4.	BRACKET — Ignition coil	2.170
2.	BRACE — Generator	2.317	5.	COIL ASSEMBLY — Ignition	2.170
3.	BRACKET ASSEMBLY — Generator mounting	2.277			



ELECTRICAL UNITS ATTACHING PARTS
8 Cylinder Engine

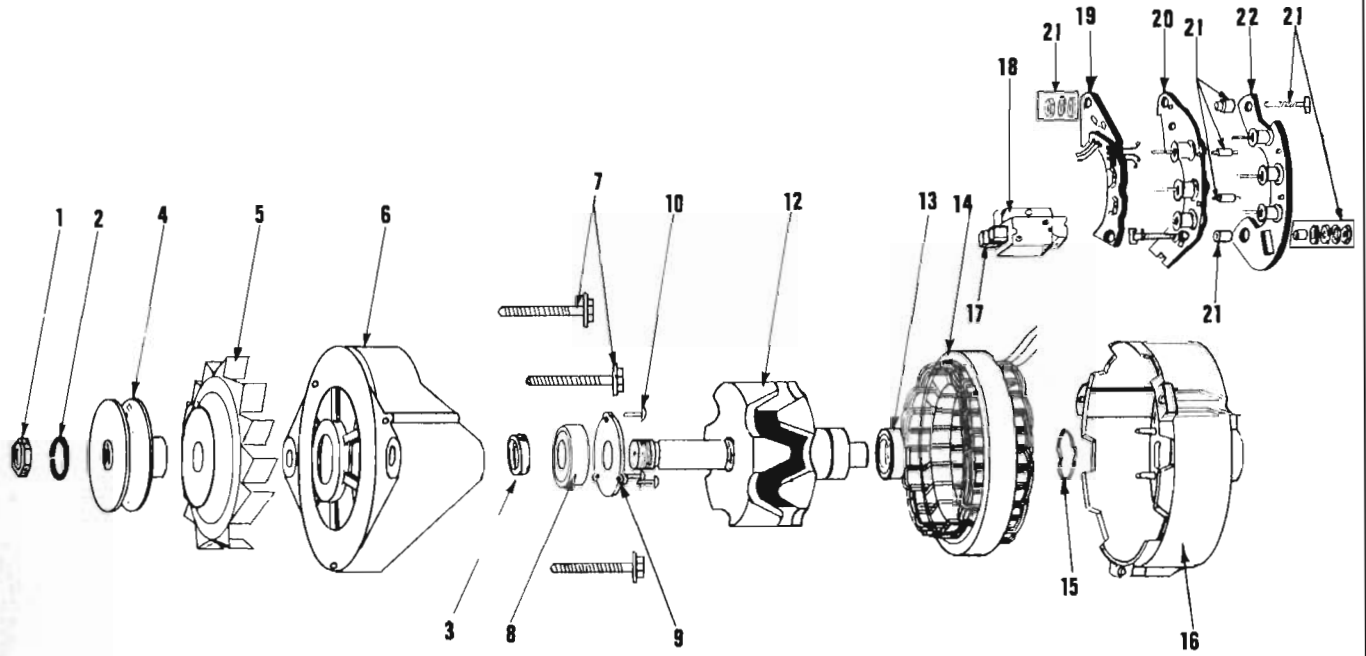
ILLUS. REF. NO.	PART NAME	GROUP	ILLUS. REF. NO.	PART NAME	GROUP
1.	SUPPORT – Generator rear	2.277	7.	BRACKET – Starter motor steady	2.041
2.	GENERATOR ASSEMBLY	2.275	8.	BOLT – Steady bracket to starter motor	2.041
3.	BRACKET – Generator mounting front	2.277	9.	BOLT – Starter motor	2.041
4.	HOSE – Spark control	2.424	10.	BELT – Fan & generator	1.066
5.	COIL ASSEMBLY – Ignition	2.170			
6.	BRACKET & SCREW ASSY. – Ignition coil ..	2.170			



GENERATOR
4 CYLINDER ENGINE

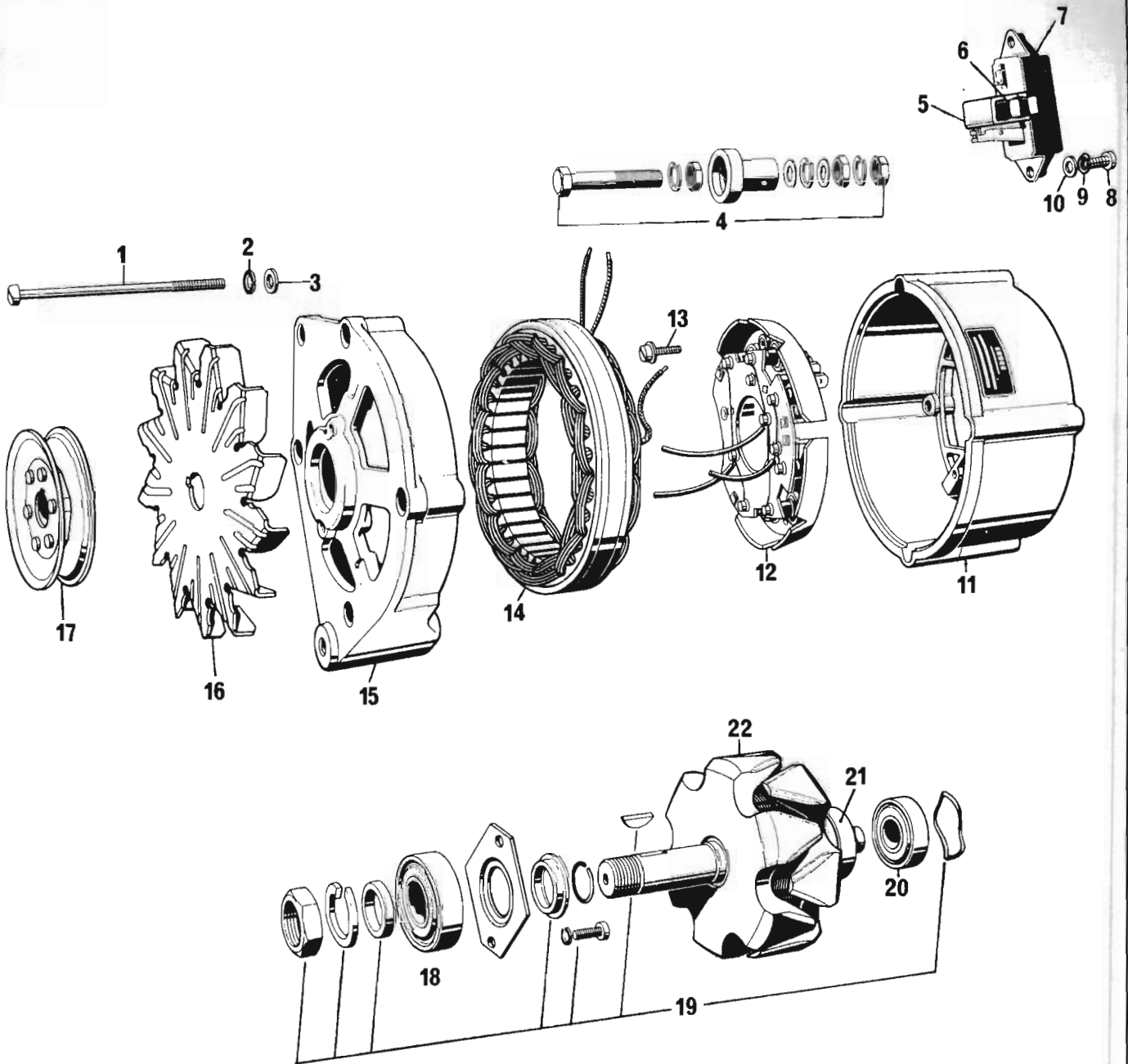
ILLUSTRATION OPPOSITE

ILLUS. REF. NO.	PART NAME	GROUP
1 - 22.	GENERATOR ASSY.	2.275
1.	NUT - Rotor shaft	2.280
2.	WASHER - Lock	2.280
3.	PULLEY - Generator	2.274
4.	FAN - Generator	2.274
5.	COLLAR - Drive end shaft, outer	2.307
6.	FRAME ASSY. - Drive end	2.305
7 - 10.	BEARING PACKAGE - Drive end	2.306
11.	COLLAR - Drive end shaft, inner	2.307
12.	ROTOR ASSY. - Generator	2.279
13.	STATOR - Generator	2.310
14.	PLATE & LEAD ASSY. - With three diodes	2.287
15.	TERMINAL - Negative	2.289
16.	BRIDGE - Rectifier	2.289
17.	HOLDER ASSY. - Brush	2.291
18.	REGULATOR ASSY. - Voltage and current	2.500
19.	SEAL - Slip ring end	2.298
20.	BEARING - Slip ring end	2.298
21.	FRAME ASSY. - Slip ring end	2.297
22.	BOLT - Through	2.316



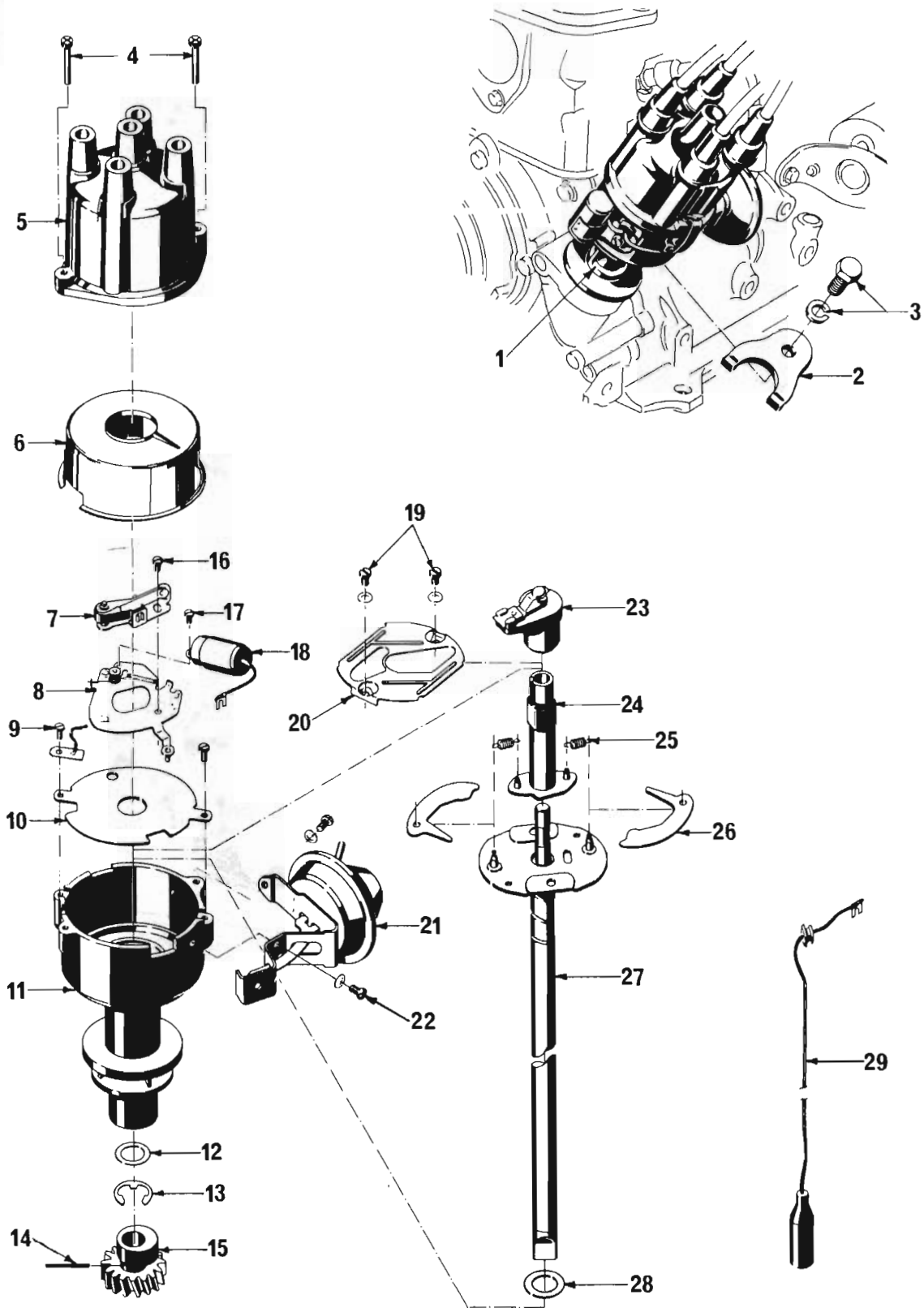
GENERATOR
Lucas

ILLUS. REF. NO.	PART NAME	GROUP	ILLUS. REF. NO.	PART NAME	GROUP
1-22	GENERATOR ASSY.	2.275	12.	ROTOR	2.279
1.	NUT - Rotor shaft	2.280	13.	BEARING - Slip ring end	2.298
2.	WASHER - Lock	2.280	14.	STATOR	2.310
3.	COLLAR - Distance	2.307	15.	WASHER - Wave	2.297
4.	PULLEY ASSEMBLY	2.274	16.	PLATE - Slip ring end	2.297
5.	FAN - Generator	2.274	17.	BRUSH SET	2.285
6.	PLATE - Drive end	2.305	18.	BRUSH BOX MOULDING	2.291
7.	BOLT - Through	2.316	19.	PLATE - Field terminal with diodes ..	2.289
8.	BEARING - Drive end	2.306	20.	SINK - Positive heat with diodes ..	2.289
9.	PLATE - Bearing retainer	2.307	21.	SUNDRY PARTS SET - Heat sink mtg.	2.289
10.	SCREW - Bearing retainer plate	2.307	22.	SINK - Negative heat with diodes ..	2.289



**GENERATOR – Bosch
6 and 8 Cylinder Engine**

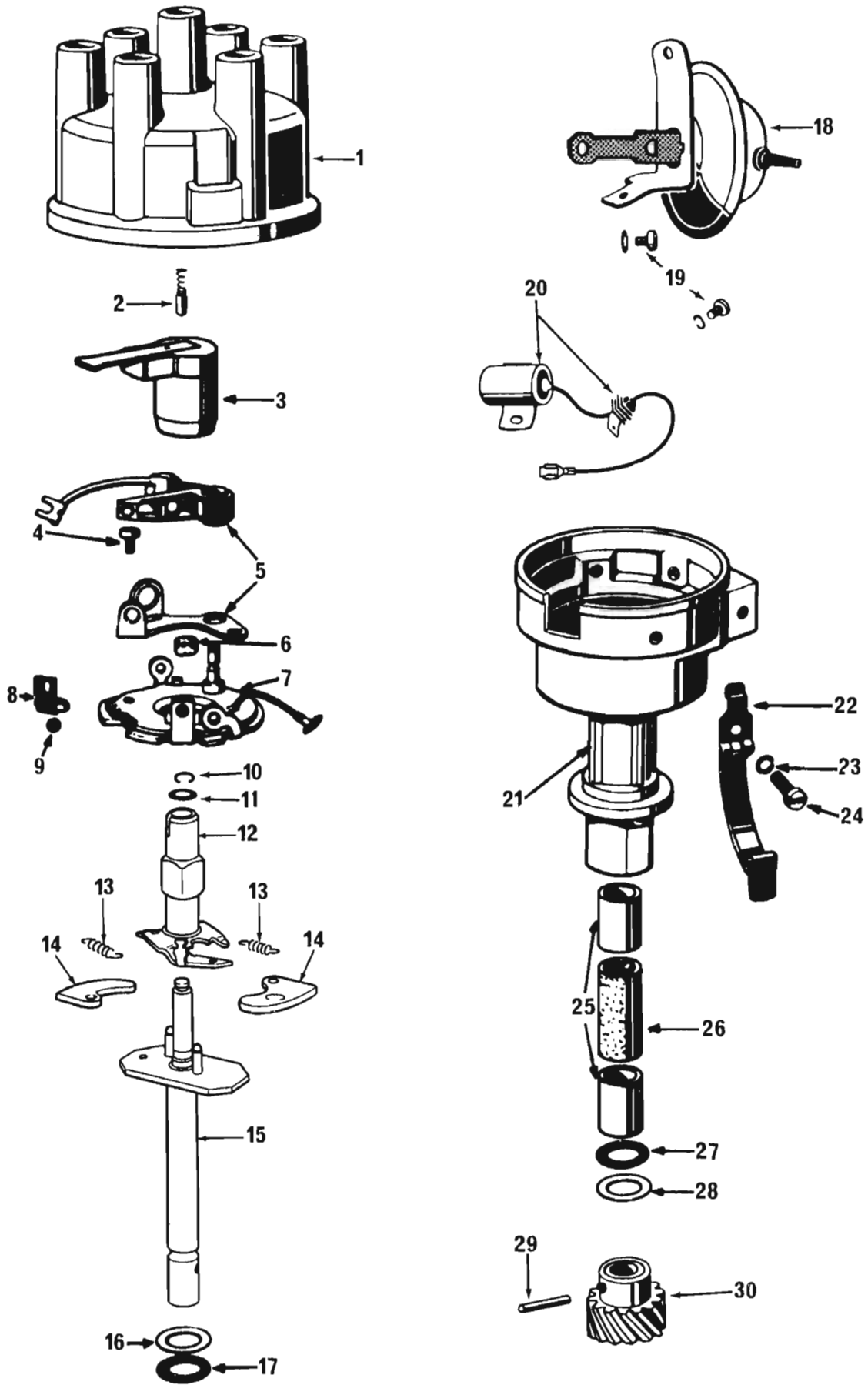
ILLUS. REF. NO.	PART NAME	GROUP	ILLUS. REF. NO.	PART NAME	GROUP
1-22	GENERATOR ASSY.	2.275	12.	RECTIFIER ASSEMBLY	2.289
1.	BOLT – Through	2.316	13.	BOLT – Rectifier	2.289
2.	WASHER – Lock	2.316	14.	STATOR	2.310
3.	WASHER – Plain	2.316	15.	PLATE – Drive end	2.305
4.	SUNDRY PARTS SET	2.315	16.	FAN	2.274
5.	SPRING – Brush	2.286	17.	PULLEY	2.274
6.	BRUSH SET	2.285	18.	BEARING – Drive end	2.306
7.	REGULATOR ASSEMBLY	2.500	19.	SUNDRY PARTS SET – Drive end	2.307
8.	SCREW	2.500	20.	BEARING – Slip ring end	2.298
9.	WASHER – Lock	2.500	21.	SLIP RING	2.279
10.	WASHER – Flat	2.500	22.	ROTOR	2.279
11.	PLATE – Slip ring end	2.297			



DISTRIBUTOR – DELCO REMY
4 Cylinder Engine

ILLUSTRATION OPPOSITE

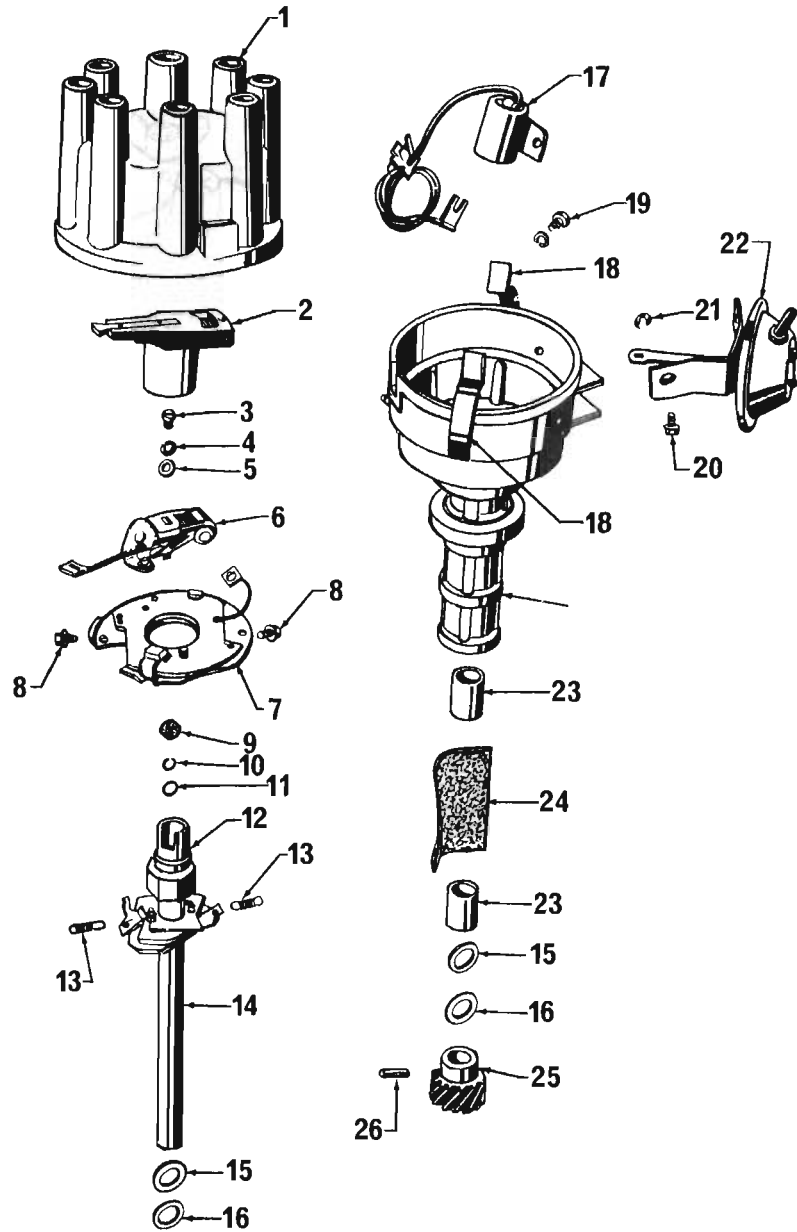
ILLUS. REF. NO.	PART NAME	GROUP
1.	DISTRIBUTOR ASSEMBLY	2.361
2.	BRACKET – Mounting	2.414
3.	BOLT & LOCK WASHER	2.414
4.	SCREW – Cap attaching	
5.	CAP – Distributor	2.367
6.	SHIELD – Moisture	2.371
7.	CONTACT SET	2.384
7.	} PLATE – Breaker	2.385
8.		
10.		
16.		
17.		
18.		
9.	SCREW – Breaker plate retaining	
11.	HOUSING	N.S.S.
12.	WASHER	
13.	CIRCLIP	
14.	PIN – Gear	
15.	GEAR	
16.	SCREW – Contact breaker	
17.	SCREW – Condenser attaching	
18.	CONDENSER	2.393
19.	SCREW – Plate	
20.	PLATE	
21.	VACUUM CONTROL ASSEMBLY	2.410
22.	SCREW & WASHER – Vac. cont. attach	
23.	ROTOR	2.382
24.	CAM ASSEMBLY	
25.	SPRING – Weight	
26.	WEIGHT	
27.	SHAFT	
28.	WASHER	
29.	LEAD – Low tension	



DISTRIBUTOR – Bosch
6 CYLINDER ENGINE

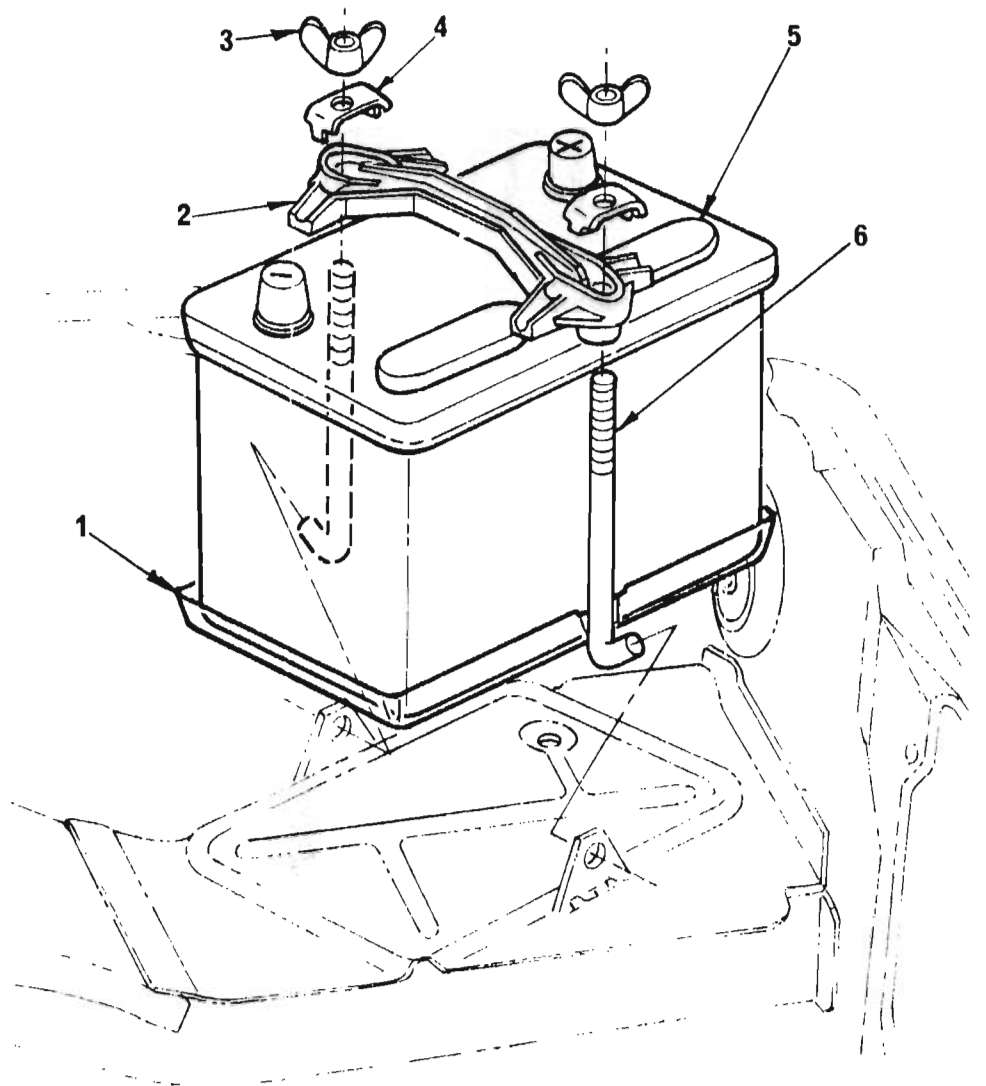
ILLUSTRATION OPPOSITE

ILLUS. REF. NO.	PART NAME	GROUP
1 – 30.	DISTRIBUTOR ASSY.	2.361
1.	CAP – Distributor	2.367
2.	BRUSH – Cap	2.370
3.	ROTOR	2.382
4.	SCREW – Contact breaker	2.387
5.	CONTACT SET	2.384
6.	WICK	2.364
7.	PLATE and SUPPORT ASSY.	2.385
8.	RETAINER – Plate ball	2.385
9.	BALL – Plate retainer	2.385
10.	CIRCLIP – Cam retainer	2.381
11.	WASHER – Cam retainer	2.381
12.	CAM	2.381
13.	SPRING	2.389
14.	WEIGHT	2.388
15.	SHAFT	2.372
16.	SHIM – Thrust, upper and lower	2.372
17.	WASHER – Thrust, fibre, upper and lower	2.372
18.	VACUUM CONTROL	2.410
19.	SCREW – Attaching	2.393/2.410
20.	CONDENSER	2.393
21.	HOUSING	N.S.S.
22.	SPRING	2.368
23.	WASHER – Support screw lock	2.385
24.	SCREW – Support	2.385
25.	BUSHING – Upper and lower	2.362
26.	FELT – Lubrication	2.362
27.	WASHER – Thrust, fibre, upper and lower	2.372
28.	SHIM – Thrust, upper and lower	2.372
29.	PIN – Slotted spring	2.379
30.	GEAR PACKAGE	2.374



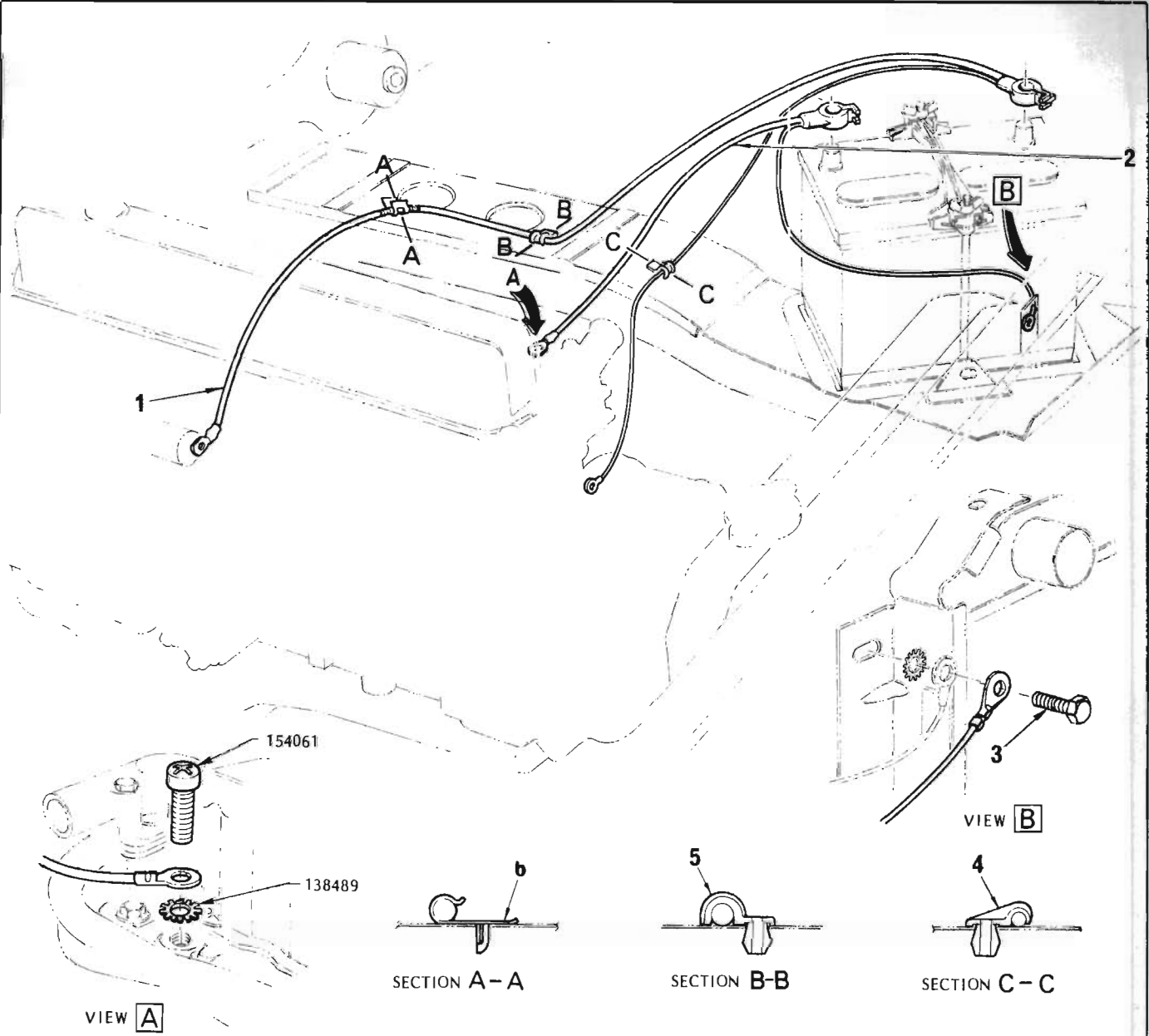
DISTRIBUTOR – Bosch
8 CYLINDER ENGINE

ILLUS. REF. NO.	PART NAME	GROUP	ILLUS. REF. NO.	PART NAME	GROUP
1 – 26	DISTRIBUTOR ASSY.	2.361	14.	SHAFT	2.372
1.	CAP	2.367	15.	WASHER – Thrust, fibre	2.372
2.	ROTOR	2.382	16.	SHIM	2.372
3.	SCREW – Contact breaker	2.387	17.	CONDENSER	2.393
4.	WASHER – Screw lock	2.387	18.	SPRING – Cap	2.368
5.	WASHER – Plain	2.387	19.	SCREW	2.393
6.	CONTACT SET	2.384	20.	SCREW	2.410
7.	PLATE & CONTACT BREAKER ASSY.	2.385	21.	CLIP – Rod attaching	2.410
8.	SCREW – Plate support	N.S.S.	22.	VACUUM CONTROL	2.410
9.	WICK	2.364	23.	BUSHING	2.362
10.	CIRCLIP – Cam retainer	2.381	24.	FELT	2.362
11.	WASHER – Cam retainer	2.381	25.	GEAR PACKAGE	2.374
12.	CAM	2.381	26.	PIN – Gear	2.379
13.	SPRING – Weight	2.389			



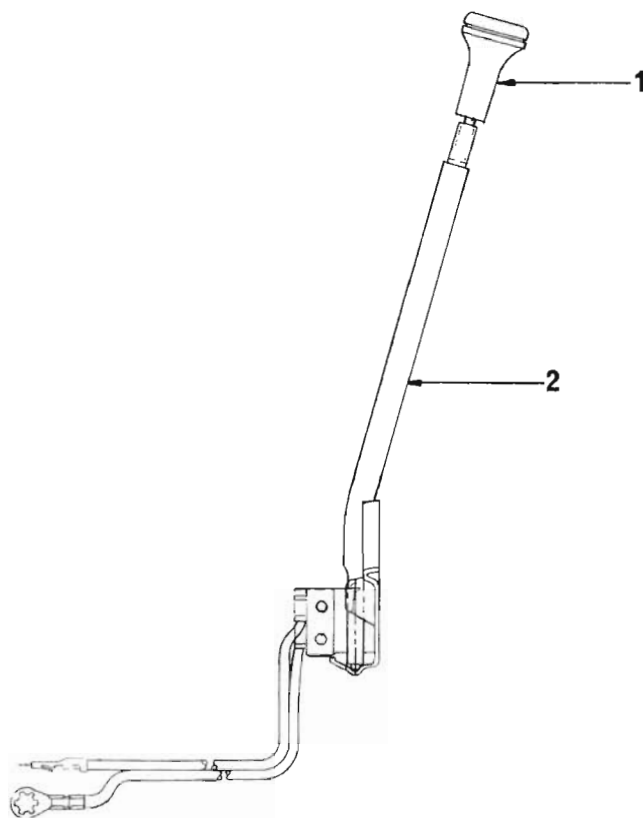
BATTERY MOUNTING

ILLUS. REF. NO.	PART NAME	GROUP	ILLUS. REF. NO.	PART NAME	GROUP
1.	TRAY – Battery mounting	2.333	4.	PLATE – Retainer lock	2.333
2.	RETAINER – Battery mounting	2.333	5.	BATTERY	2.332
3.	NUT – Wing 1/4" – 20	2.333	6.	BOLT – Battery mounting	2.333



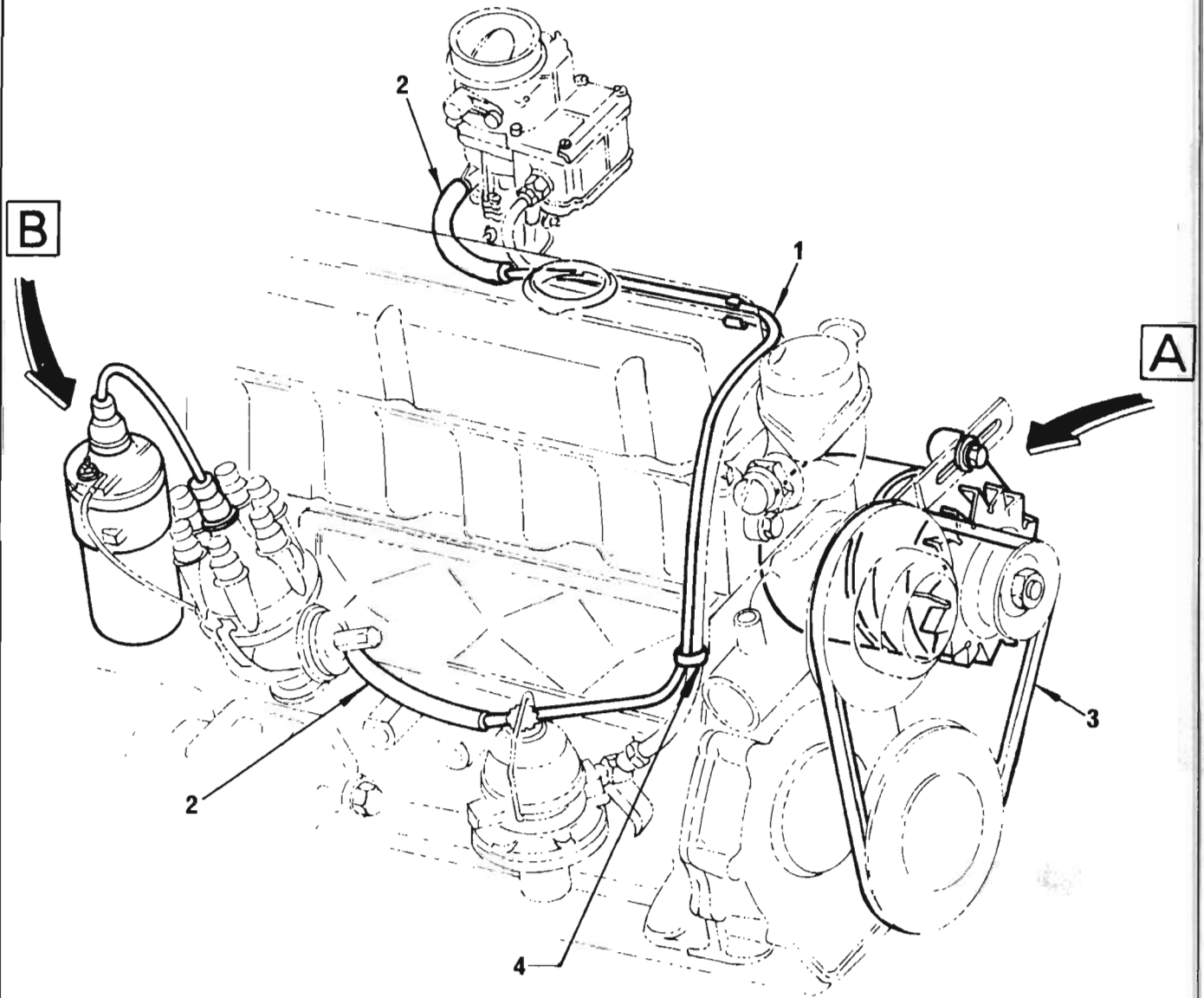
BATTERY CABLES

ILLUS. REF. NO.	PART NAME	GROUP	ILLUS. REF. NO.	PART NAME	GROUP
1.	CABLE ASSEMBLY - Starter	2.342	4.	CLIP - 3/16" saddle	2.342
2.	CABLE ASSEMBLY - Battery ground	2.341	5.	CLIP - 5/16" saddle	2.342
3.	BOLT - Hex. washer hd. 5/16" - 18 x 3/4"	1.221	6.	CLIP - 5/16" snap	2.342



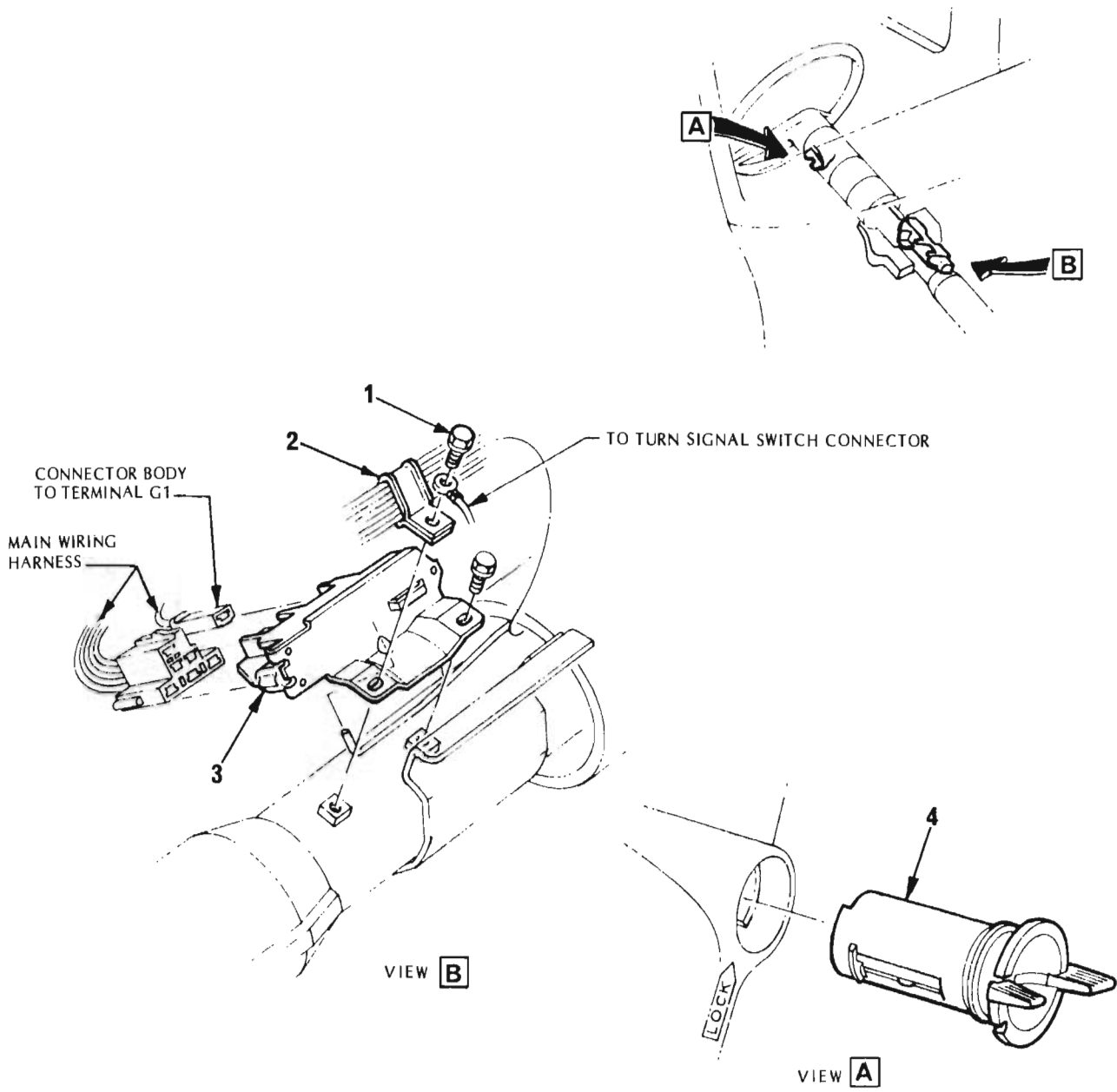
DIMMER SWITCH and TURN SIGNAL LEVER

ILLUS. REF. NO.	PART NAME	GROUP
1.	KNOB – Dimmer switch & turn signal lever	2.897
2.	SWITCH – DIMMER – TURN SIGNAL LEVER	2.895



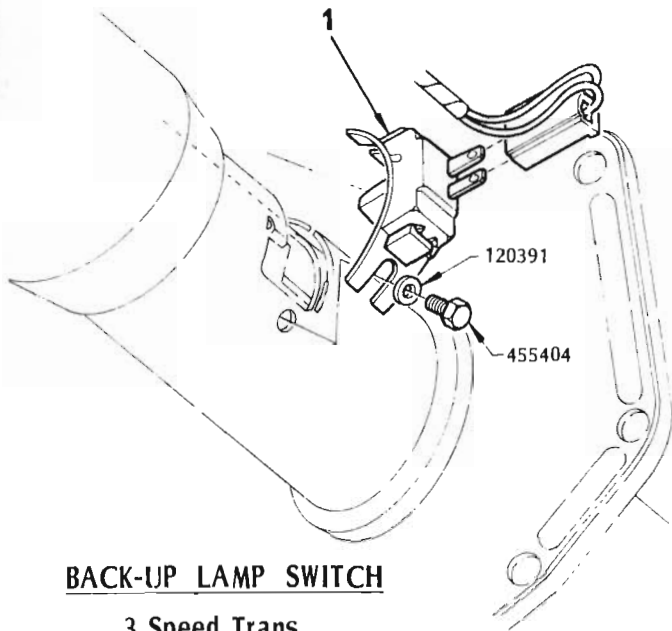
SPARK CONTROL PIPE
6 Cyl. Eng.

ILLUS. REF. NO.	PART NAME	GROUP	ILLUS. REF. NO.	PART NAME	GROUP
1.	PIPE ASSEMBLY - Spark control	2.424	3.	BELT - Fan & Generator	1.066
2.	PIPE - Flexible	2.424	4.	CLIP	2.424



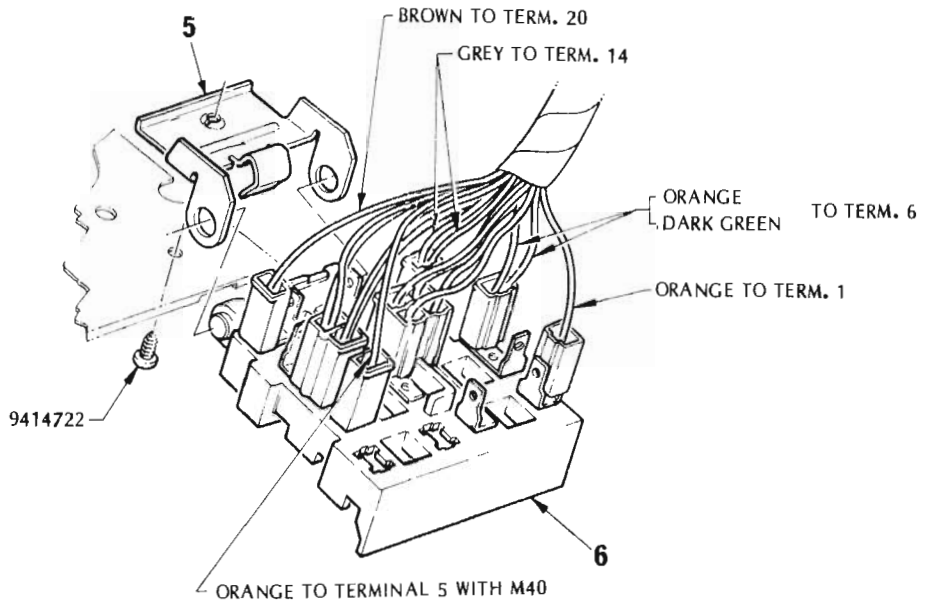
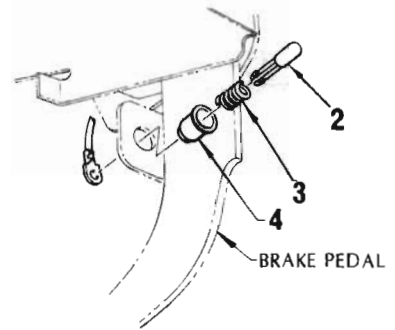
IGNITION LOCK & SWITCH

ILLUS. REF. NO.	PART NAME	GROUP	ILLUS. REF. NO.	PART NAME	GROUP
1.	BOLT — Switch to column	2.188	3.	SWITCH ASSEMBLY — Ignition & starter	2.188
2.	CLIP — Switch harness to ignition switch screw	2.895	4.	LOCK ASSEMBLY — Ignition	2.188



BACK-UP LAMP SWITCH
3 Speed Trans.

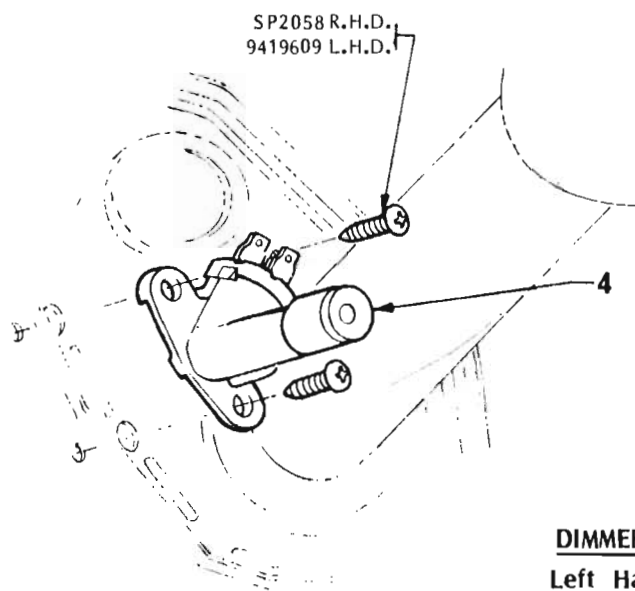
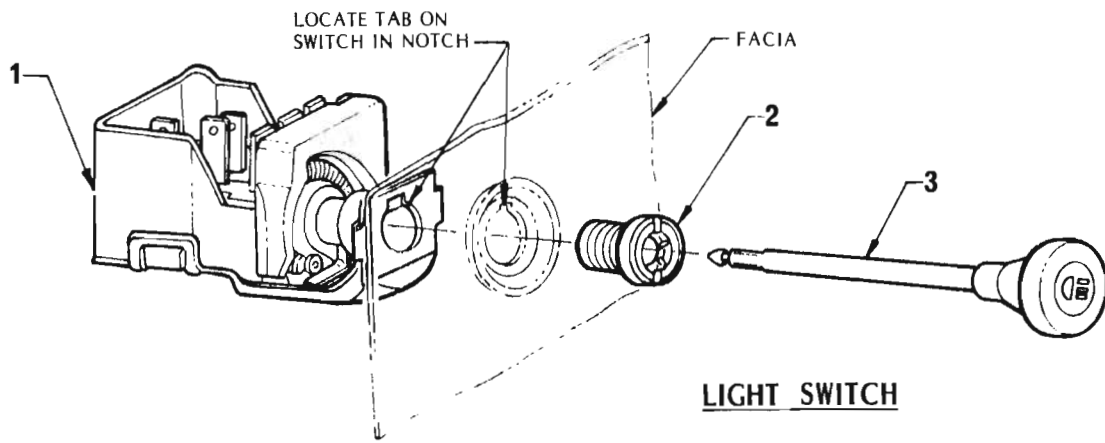
**PARKING BRAKE
WARNING LAMP SWITCH**



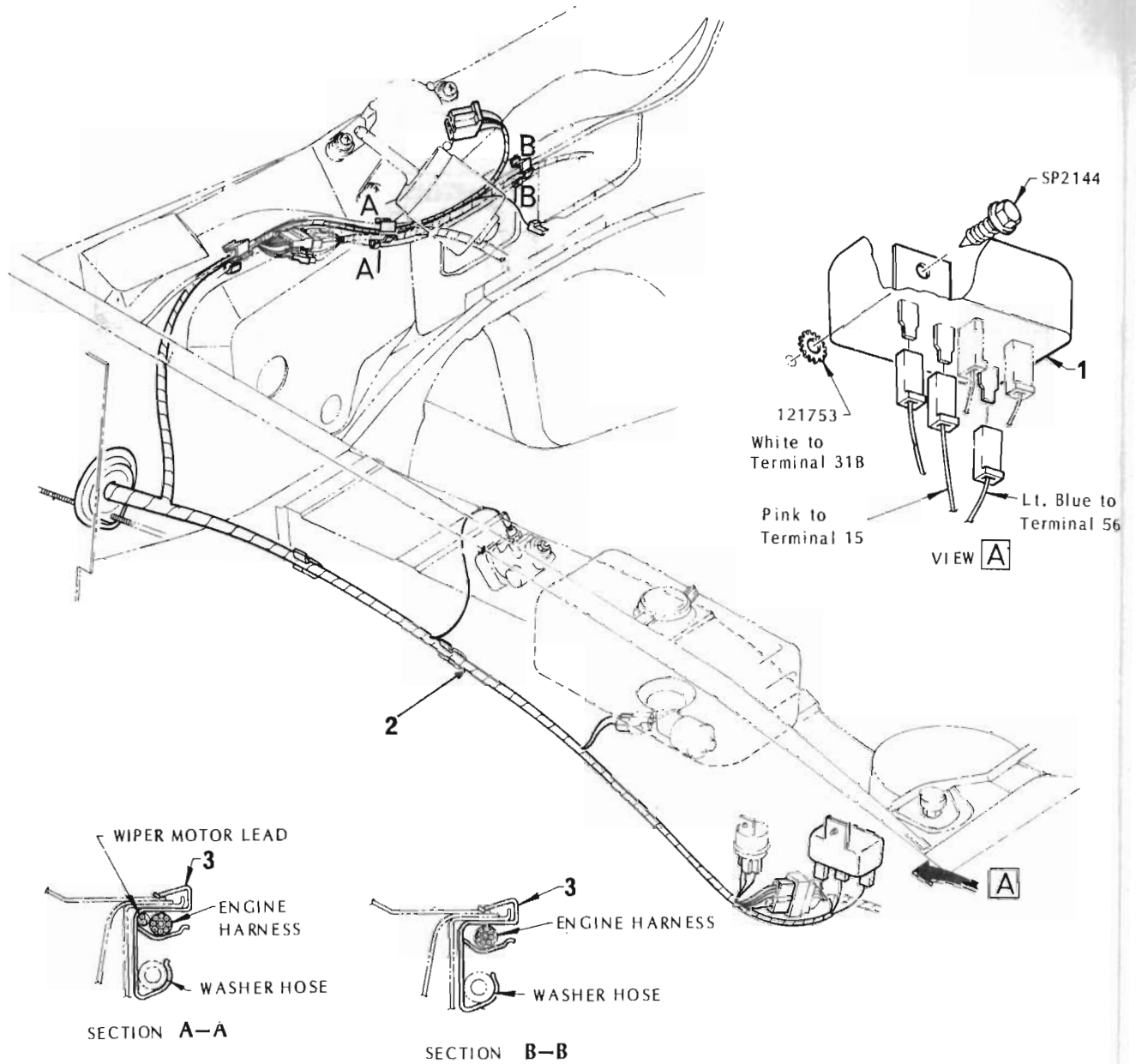
VIEW **B**

FUSE PANEL

ILLUS. REF. NO.	PART NAME	GROUP	ILLUS. REF. NO.	PART NAME	GROUP
1.	SWITCH ASSEMBLY – Back-up lamp	2.697	4.	BODY – Parking brake warning lamp	4.610
2.	PLUNGER – Parking brake warning lamp switch	4.610	5.	BRACKET – Fuse panel mounting	2.481
3.	SPRING – Parking brake warning lamp switch	4.610	6.	PANEL ASSEMBLY – Fuse	2.481

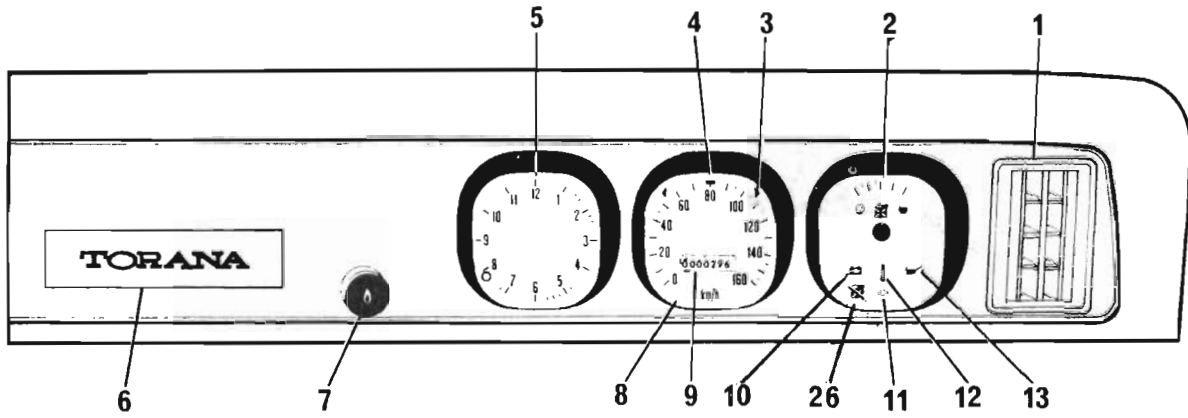


ILLUS. REF. NO.	PART NAME	GROUP	ILLUS. REF. NO.	PART NAME	GROUP
1.	SWITCH ASSEMBLY – Lighting	2.485	3.	ROD ASSEMBLY – Lighting switch control	2.486
2.	BUSHING ASSY. – Lighting switch	2.487	4.	SWITCH ASSEMBLY – Dimmer	2.459

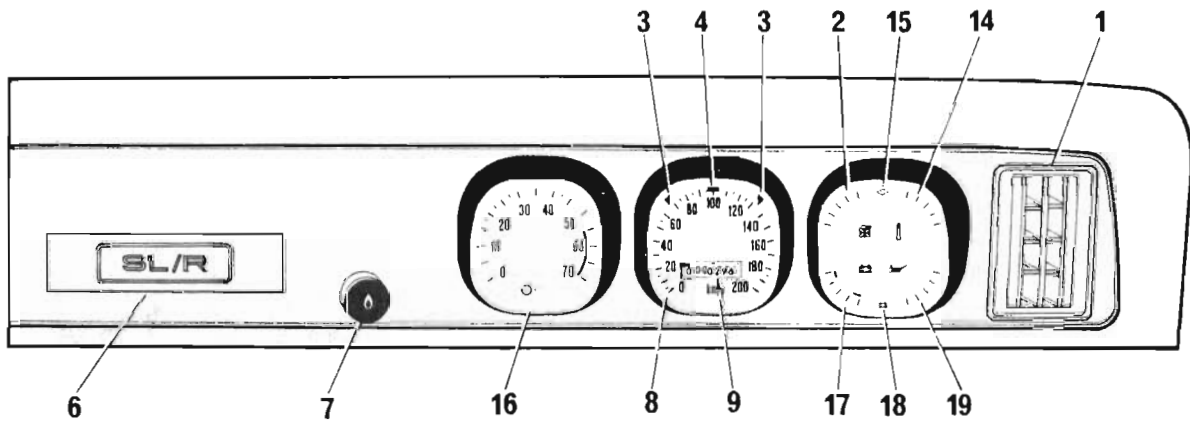


RELAY - DIMMER SWITCH
Right Hand Drive

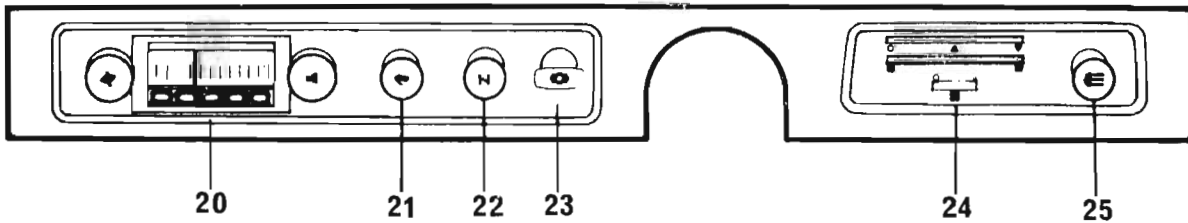
ILLUS. REF. NO.	PART NAME	GROUP
1.	RELAY ASSEMBLY - Dimmer switch	2.895
2.	HARNESS ASSEMBLY - Main wiring	
3.	CLIP - Harness	2.555



STANDARD INSTRUMENT PANEL



SPORTS INSTRUMENT PANEL

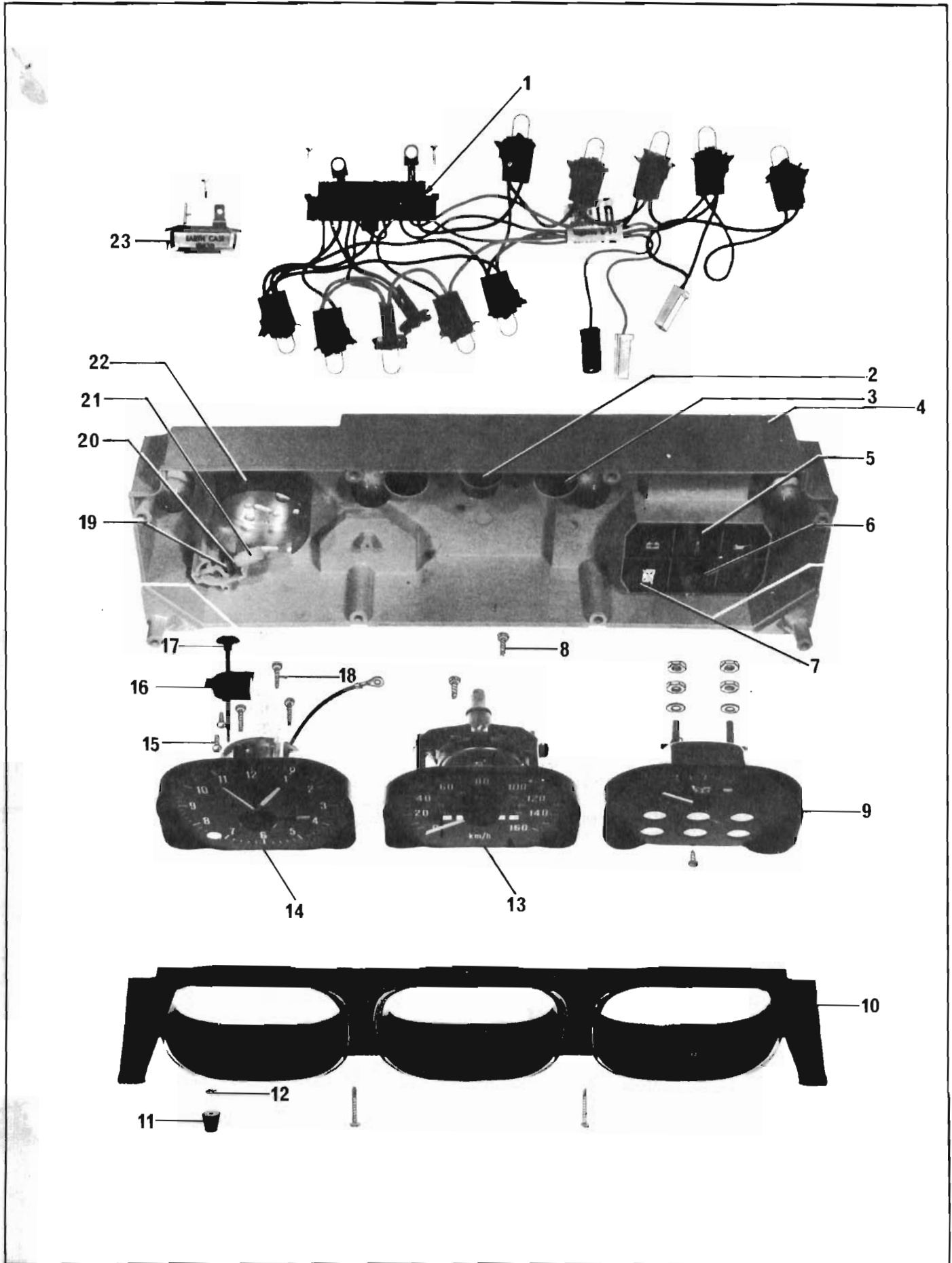


CONTROL PANEL

INSTRUMENT and CONTROL PANEL

ILLUSTRATION OPPOSITE

ILLUS. REF. NO.	PART NAME	GROUP
1.	VANE ASSY. – Upper level vent	9.779
2.	GAUGE ASSY. – Fuel	2.515
3.	LENS – Turn signal indicator	N.S.S.
4.	LENS – Hi Beam indicator	N.S.S.
5.	CLOCK ASSY.	2.515
6.	ASH TRAY ASSY.	12.009
7.	LIGHTER ASSY. – Cigarette	9.709
8.	SPEEDOMETER ASSY.	2.515
9.	ODOMETER ASSY.	N.S.S.
10.	LENS – Generator warning	N.S.S.
11.	LENS – Brake warning	N.S.S.
12.	LENS – Temperature warning	N.S.S.
13.	LENS – Oil pressure warning	N.S.S.
14.	GAUGE – Temperature	2.515
15.	LENS – Brake warning	N.S.S.
16.	TACHOMETER ASSY.	2.515
17.	GAUGE – Voltmeter	2.515
18.	LENS – Generator warning	N.S.S.
19.	GAUGE – Oil pressure	2.515
20.	RADIO	9.662
21.	SWITCH – Windshield washer & wiper	10.163
22.	CONTROL – Choke	3.521
23.	KNOB – Park brake release	4.592
24.	HEATER CONTROL	9.779
25.	SWITCH – Lighting	2.485
26.	FUEL ECONOMY LAMP – Optional	2.515

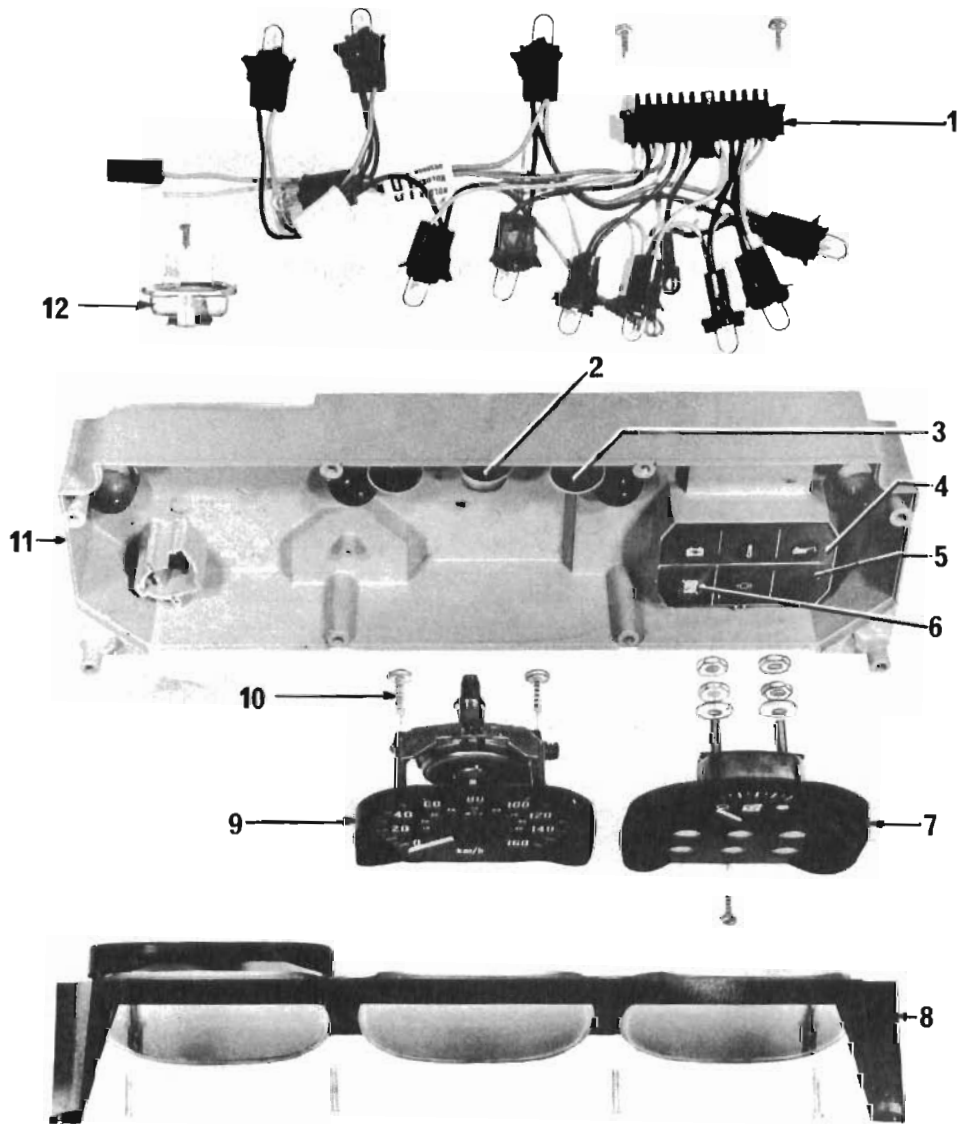


COMBINED INSTRUMENT ASSEMBLY

WARNING LAMPS – UH, VC

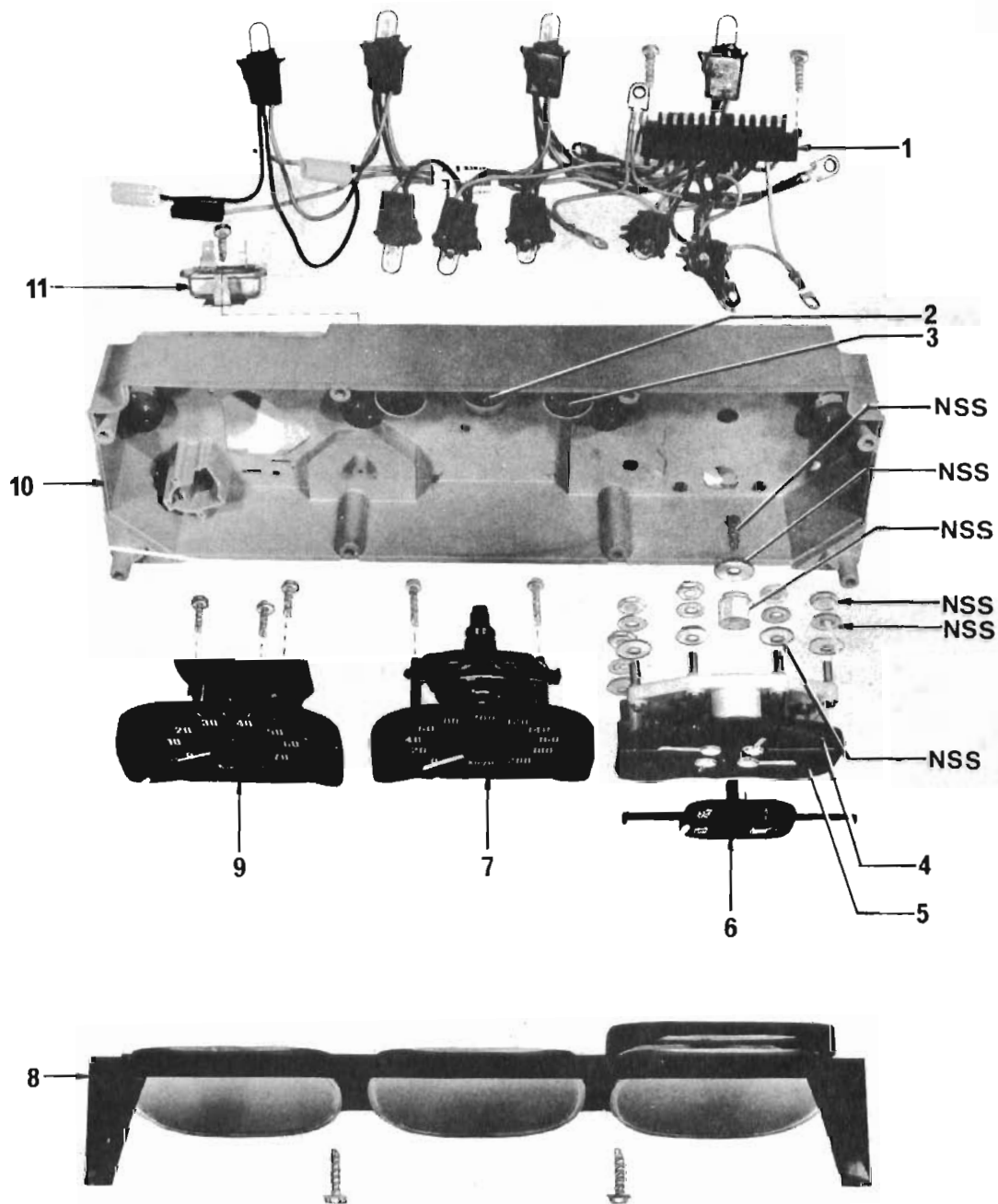
ILLUSTRATION OPPOSITE

ILLUS. REF. NO.	PART NAME	GROUP
1.	HARNES ASSEMBLY – Instrument	2.555
2.	LENS – High beam	2.515
3.	LENS – Trafficator	2.515
4.	CASE ASSEMBLY	2.515
5.	LENS – Warning (voltage, temperature, oil)	2.515
6.	LENS – Warning (hand brake)	2.515
7.	LENS – Warning (fuel economy)	2.515
8.	SCREW – Speedometer retaining	2.515
9.	GAUGE ASSEMBLY – Fuel	2.515
10.	MASK ASSEMBLY	2.515
11.	KNOB – Clock re-set	2.515
12.	NUT – Clock knob	2.515
13.	SPEEDOMETER ASSEMBLY	2.515
14.	CLOCK ASSEMBLY	2.515
15.	SCREW – Clock re-set assembly	2.515
16.	PLATE – Clock re-set cover	2.515
17.	SHAFT – Clock re-set assembly	2.515
18.	SCREW – Clock retaining	2.515
19.	SPRING – Clock re-set shaft	2.515
20.	WASHER – Clock re-set shaft	2.515
21.	SHAFT – Clock re-set lever	2.515
22.	CASE – Screening	2.515
23.	REGULATOR – Voltage	2.515



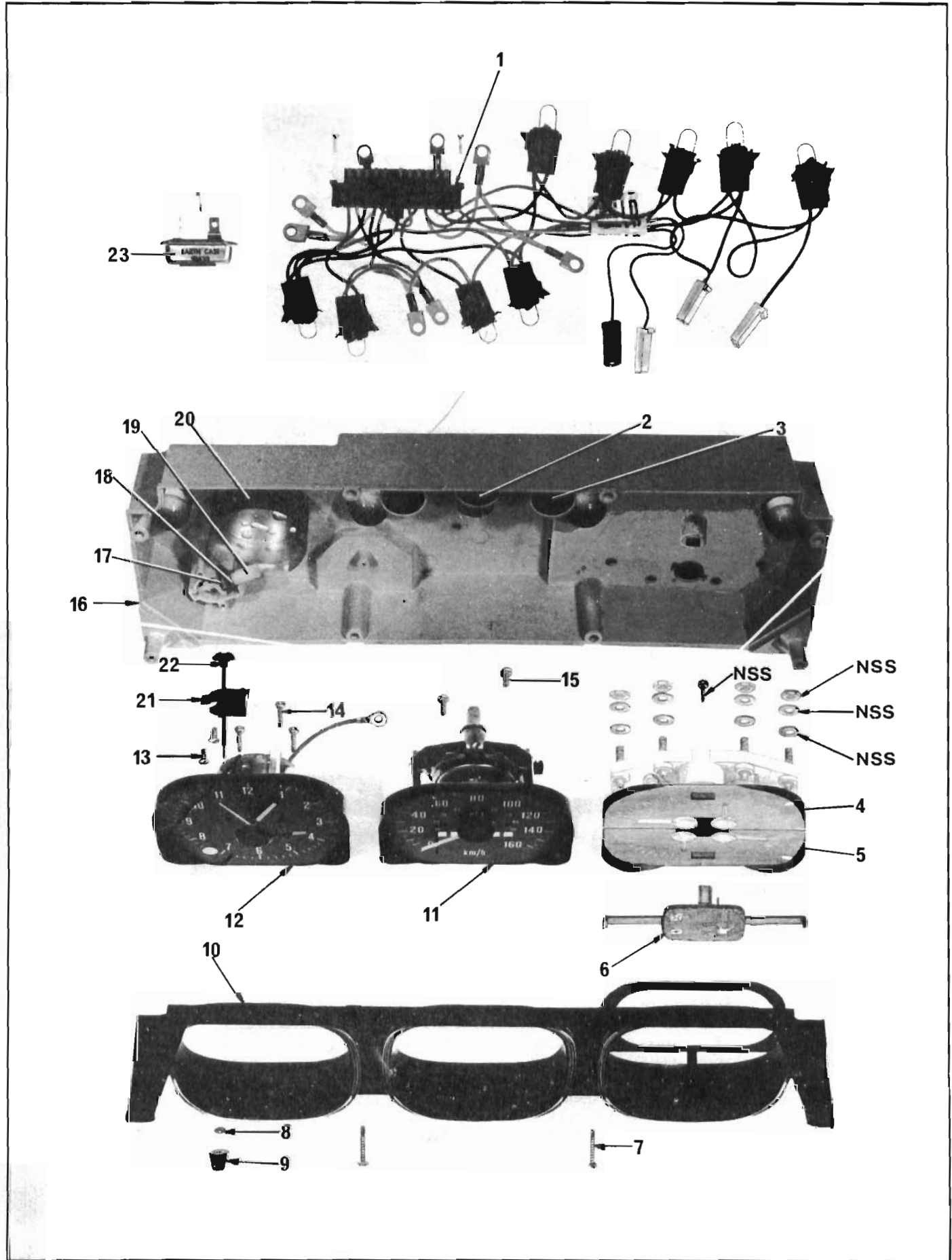
**COMBINED INSTRUMENT ASSEMBLY
WARNING LAMPS – UG, VB**

ILLUS. REF. NO.	PART NAME	GROUP
1.	HARNESS – Instrument	2.555
2.	LENS – High beam	2.515
3.	LENS – Trafficator	2.515
4.	LENS – Warning (battery, temperature, oil)	2.515
5.	LENS – Warning (hand brake)	2.515
6.	LENS – Warning (fuel economy)	2.515
7.	GAUGE ASSEMBLY – Fuel	2.515
8.	MASK ASSEMBLY	2.515
9.	SPEEDOMETER ASSEMBLY	2.515
10.	SCREW – Speedometer retaining	2.515
11.	CASE ASSEMBLY	2.515
12.	REGULATOR – Voltage	2.515



**COMBINED INSTRUMENT ASSEMBLY
GAUGES**

ILLUS. REF. NO.	PART NAME	GROUP
1.	HARNESS - Instrument	2.555
2.	LENS - High beam	2.515
3.	LENS - Trafficator	2.515
4.	GAUGE ASSEMBLY - Fuel & temperature	2.515
5.	GAUGE ASSEMBLY - Battery & oil	2.515
6.	MASK - Finished	2.515
7.	SPEEDOMETER ASSEMBLY	2.515
8.	MASK ASSEMBLY	2.515
9.	TACHOMETER ASSEMBLY	2.515
10.	CASE ASSEMBLY	2.515
11.	REGULATOR ASSEMBLY - Voltage	2.515

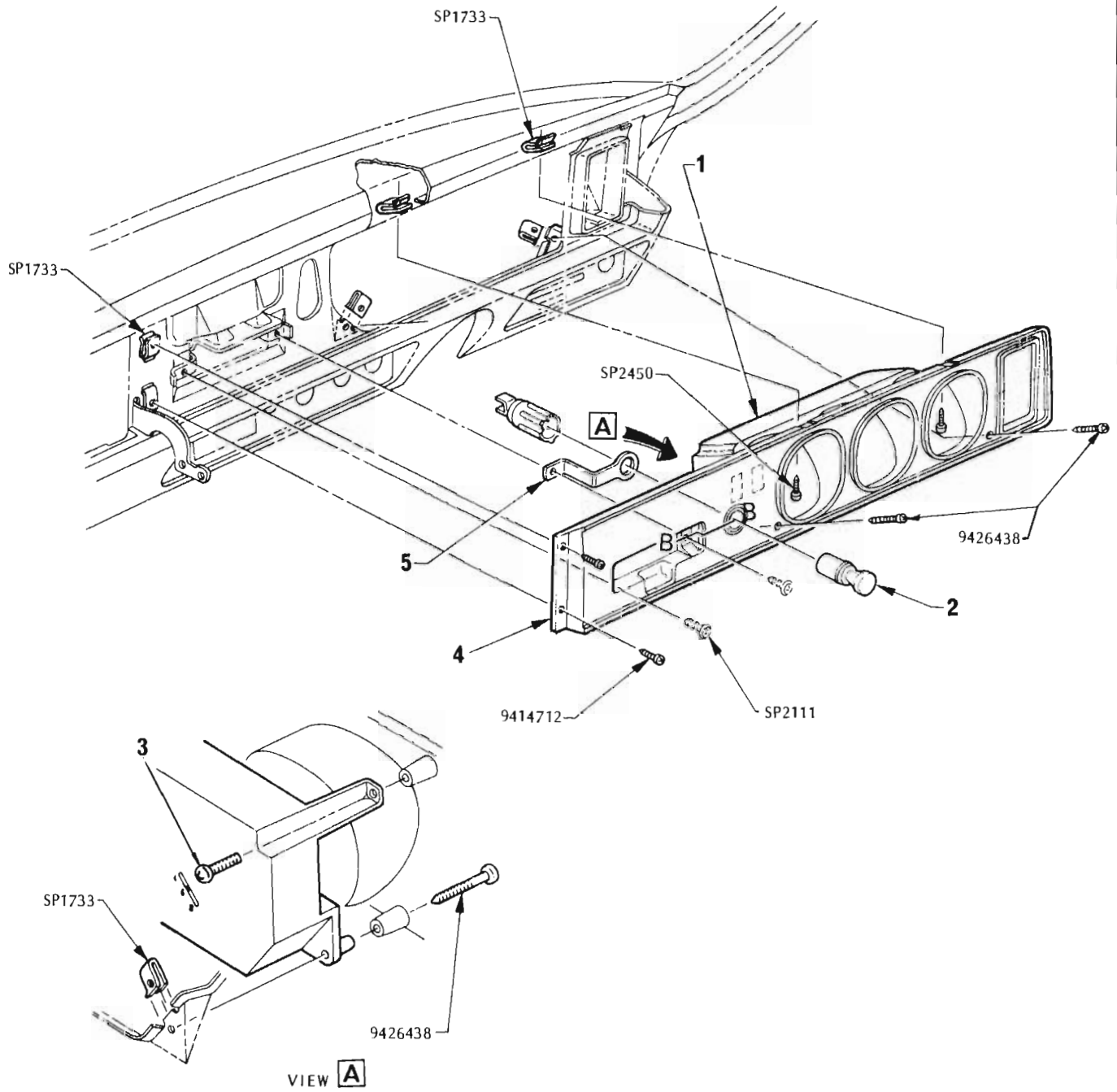


COMBINED INSTRUMENT ASSEMBLY

GAUGES – OPTIONAL

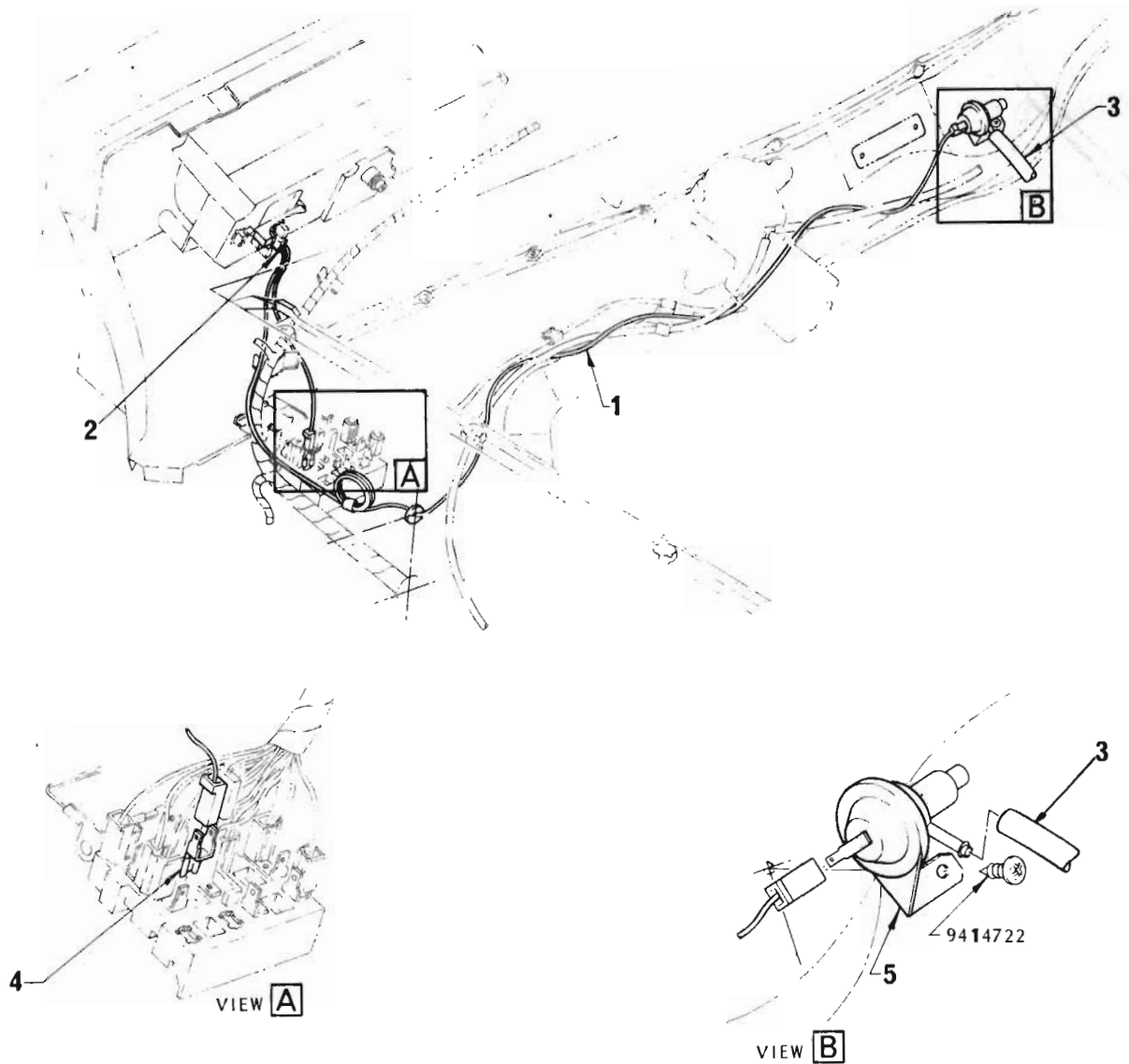
ILLUSTRATION OPPOSITE

ILLUS. REF. NO.	PART NAME	GROUP
1.	HARNES ASSEMBLY – Instrument	2.555
2.	LENS – High beam	2.515
3.	LENS – Trafficator	2.515
4.	GAUGE ASSEMBLY – Fuel & temperature	2.515
5.	GAUGE ASSEMBLY – Battery & oil	2.515
6.	MASK – Finished	2.515
7.	SCREW – Mask retaining	2.515
8.	NUT – Clock knob	2.515
9.	KNOB – Clock re-set	2.515
10.	MASK ASSEMBLY	2.515
11.	SPEEDOMETER ASSEMBLY	2.515
12.	CLOCK ASSEMBLY	2.515
13.	SCREW – Clock re-set assembly	2.515
14.	SCREW – Clock retaining	2.515
15.	SCREW – Speedometer retaining	2.515
16.	CASE ASSEMBLY	2.515
17.	SPRING – Clock re-set shaft	2.515
18.	WASHER – Clock re-set shaft	2.515
19.	SHAFT – Clock re-set lever	2.515
20.	CASE – Screening	2.515
21.	PLATE – Clock re-set cover	2.515
22.	SHAFT – Clock re-set	2.515
23.	REGULATOR – Voltage	2.515



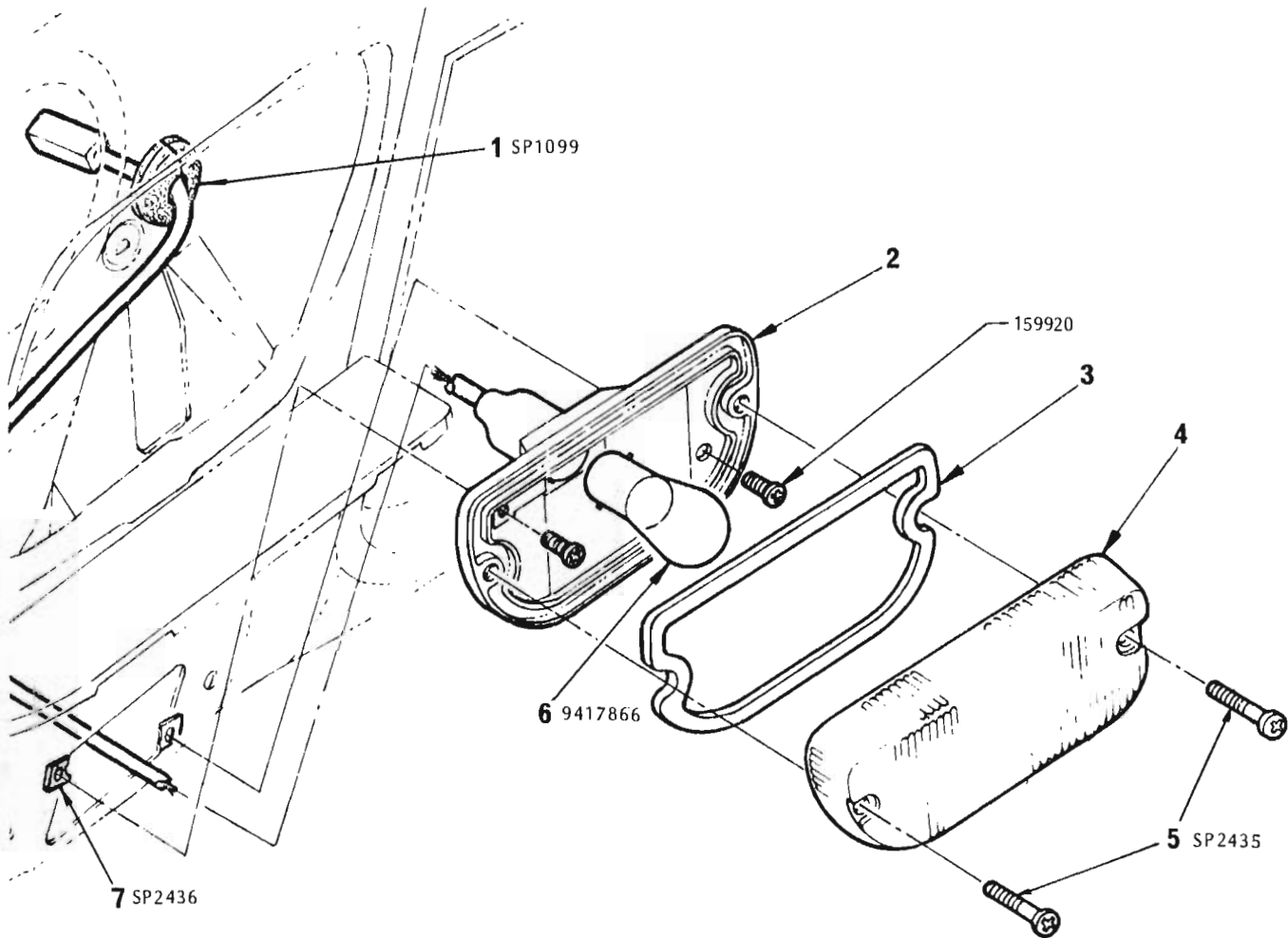
FACIA and INSTRUMENT ASSEMBLY

ILLUS. REF. NO.	PART NAME	GROUP	ILLUS. REF. NO.	PART NAME	GROUP
1.	INSTRUMENT ASSEMBLY - Combined	2.515	4.	FACIA - Instrument	2.515
2.	LIGHTER ASSEMBLY - Cigarette	9.709	5.	BRACKET - Cigarette lighter earth	9.709
3.	SCREW - Pan hd. No.8 - 18 x .5	2.515			



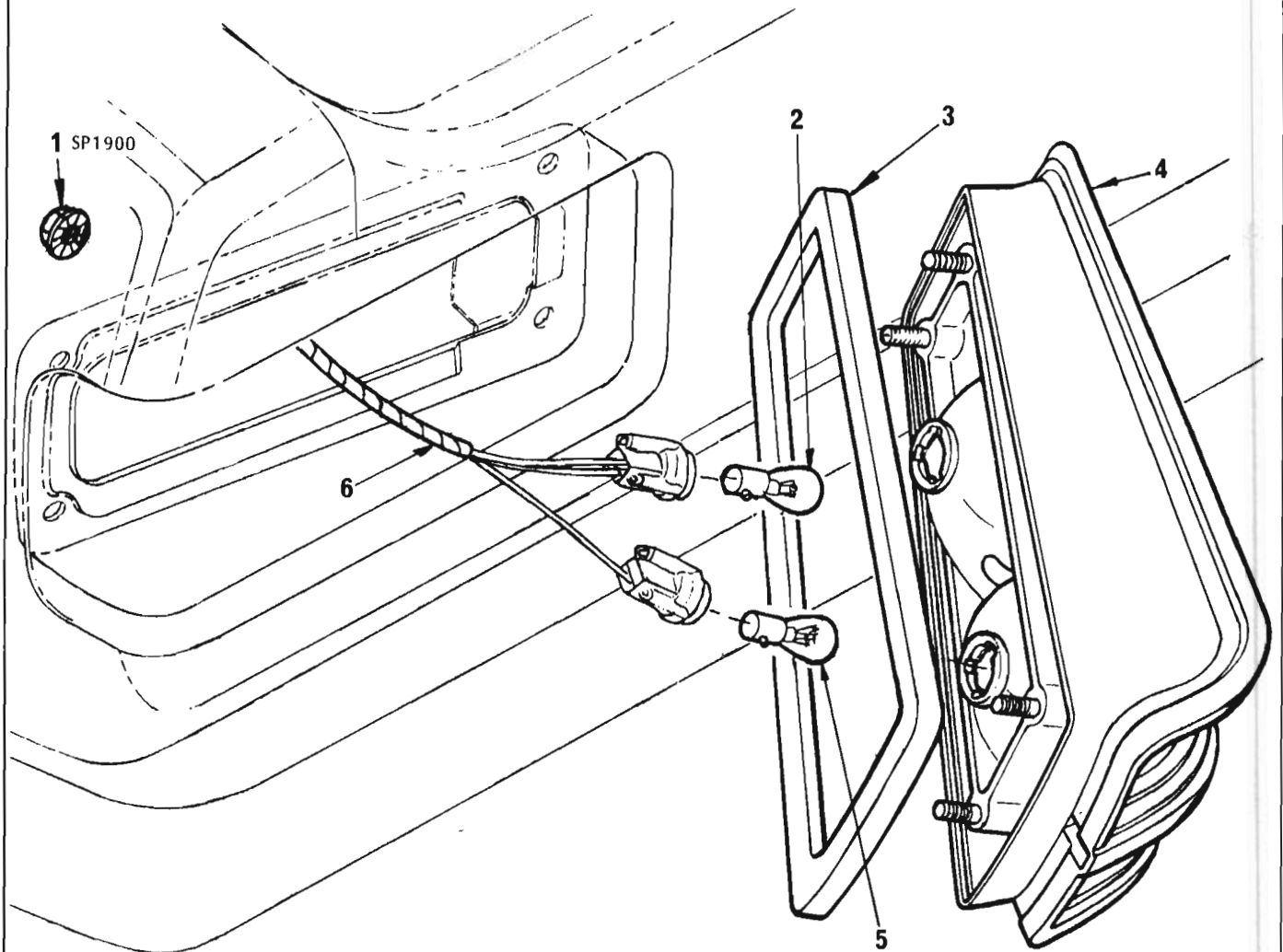
FUEL ECONOMY INDICATOR LIGHT

ILLUS. REF. NO.	PART NAME	GROUP
1.	LEAD ASSY. — Indicator light	2.515
2.	SOCKET — Bulb holder	2.515
3.	HOSE — Vacuum	2.515
4.	ADAPTOR — Lead to fuse panel	2.515
5.	SWITCH ASSY.	2.515



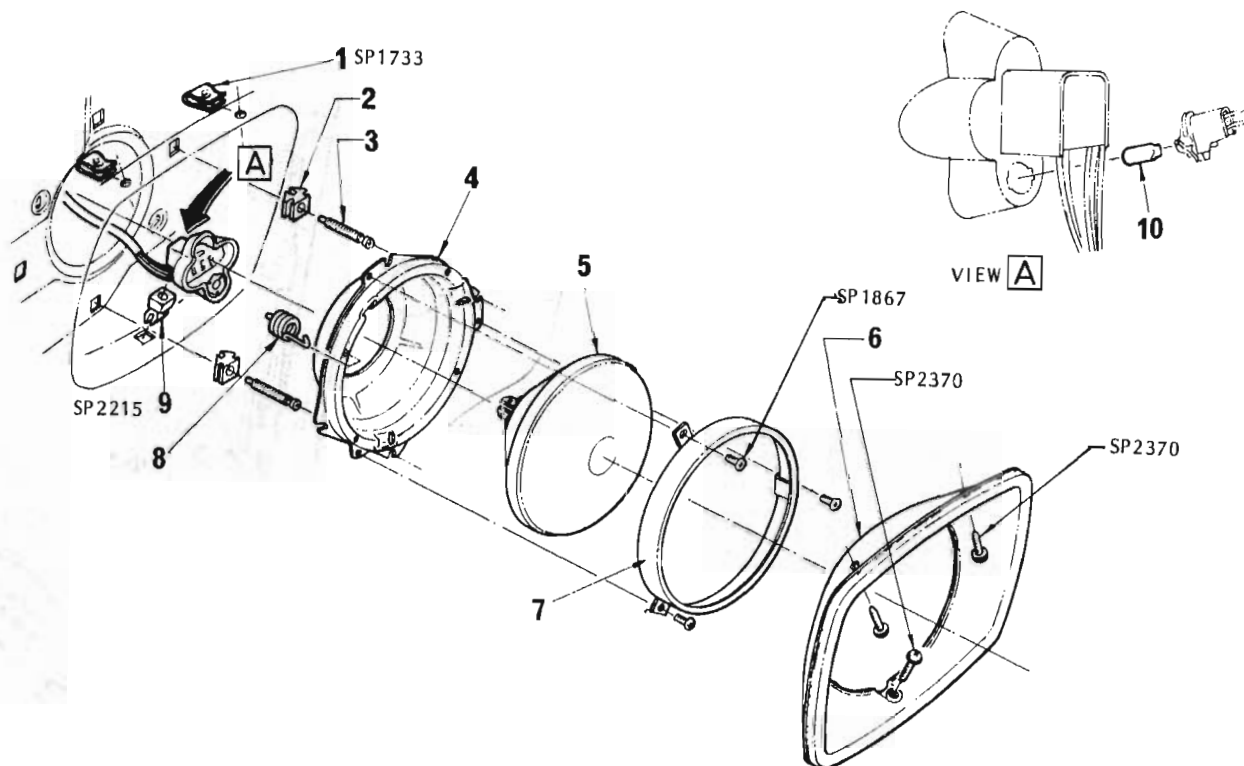
TURN SIGNAL LAMP

ILLUS. REF. NO.	PART NAME	GROUP	ILLUS. REF. NO.	PART NAME	GROUP
1.	GROMMET - Cable thru radiator support	2.586	5.	SCREW - Lens to lamp body	2.589
2.	BODY & CABLE ASSY. - Turn signal lamp..	2.586	6.	BULB - Turn signal lamp	2.586
3.	GASKET - Turn signal lamp lens	2.590	7.	NUT - No. 10 - 24 "U" type	2.586
4.	LENS - Turn signal lamp	2.589			



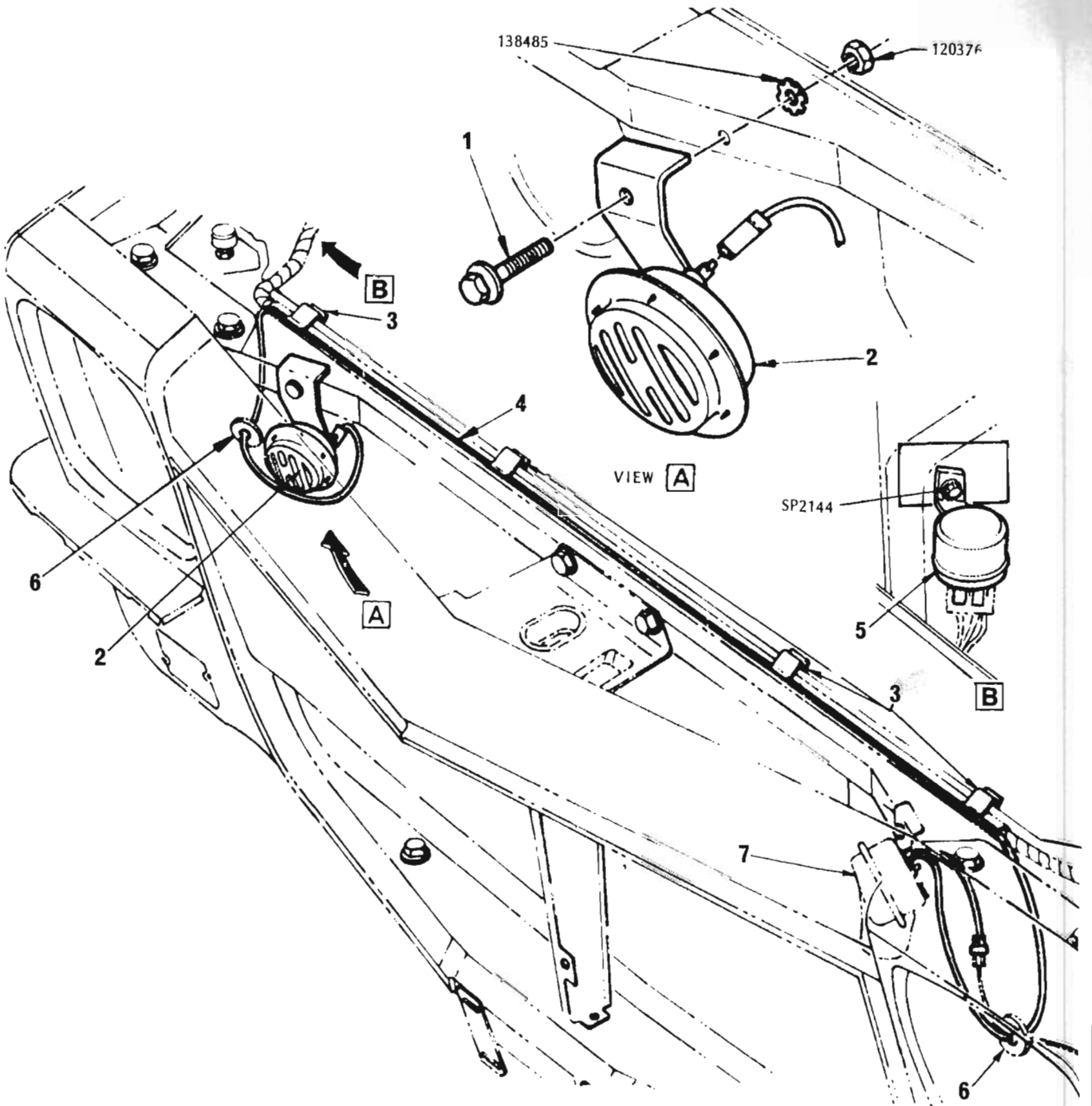
TAIL, STOP and TURN SIGNAL LAMP ASSEMBLY

ILLUS. REF. NO.	PART NAME	GROUP	ILLUS. REF. NO.	PART NAME	GROUP
1.	NUT – Lamp to body	2.679	4.	LAMP ASSEMBLY.....	2.679
2.	BULB – Stop and tail	2.679	5.	BULB – Turn signal and back-up	2.679
3.	GASKET – Lamp to body	2.684	6.	HARNES ASSY. – Body wiring rear	13,090



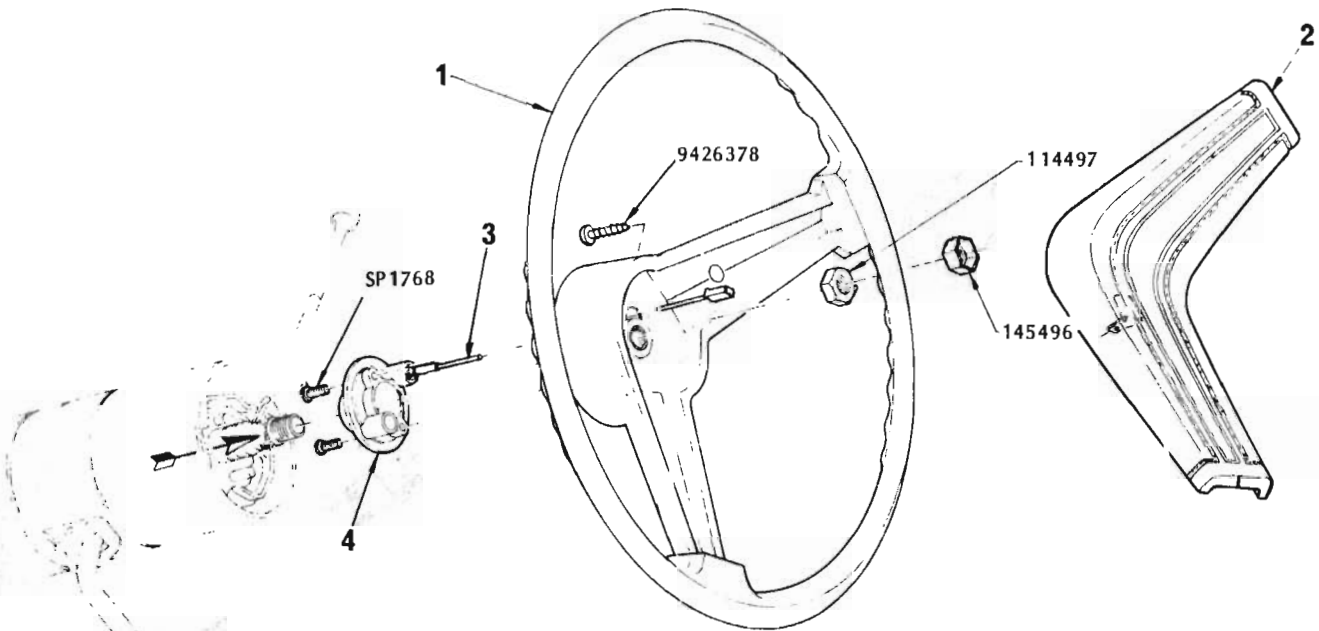
HEADLAMP ASSEMBLY

ILLUS. REF. NO.	PART NAME	GROUP
1.	NUT - Rim upper	2.728
2.	NUT - Adjusting	2.729
3.	SCREW - Adjusting	2.737
4.	RING - Mounting	2.726
5.	SEALED BEAM UNIT	2.727
6.	RIM - Headlamp	2.728
7.	RING - Retaining	2.731
8.	SPRING - Light unit retaining	2.737
9.	NUT - Rim lower	2.728
10.	BULB - Parking lamp	2.585



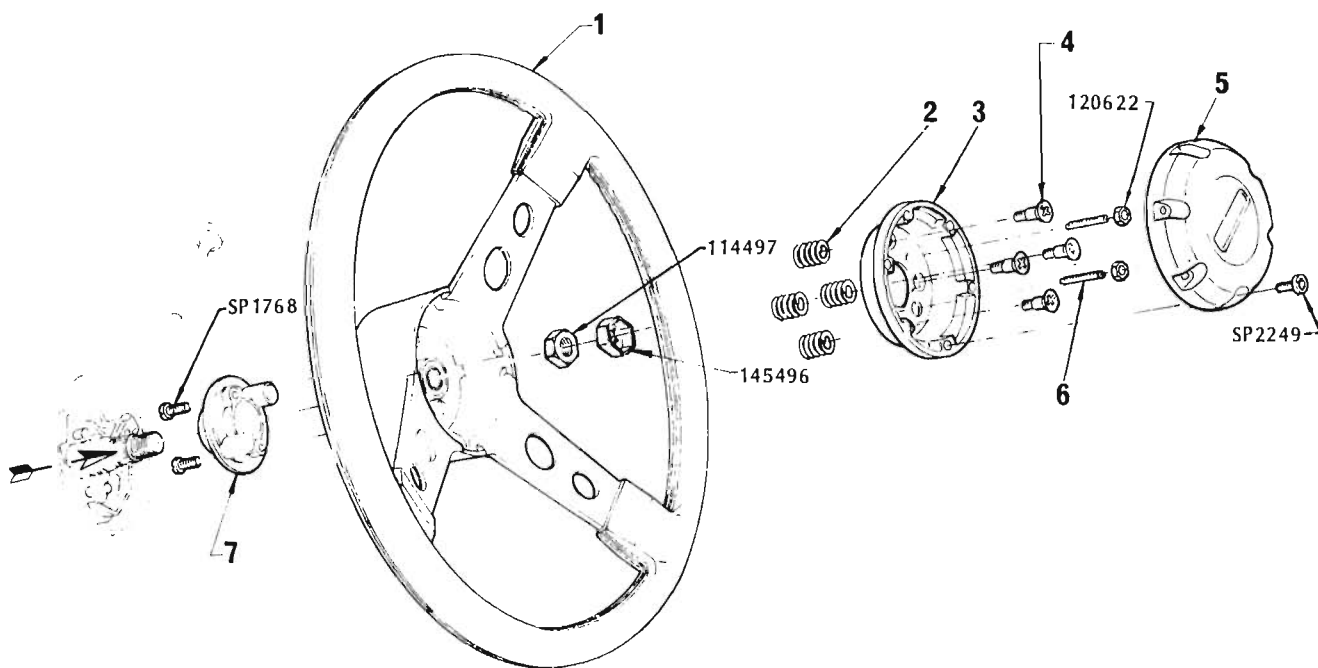
HORN and RELAY

ILLUS. REF. NO.	PART NAME	GROUP	ILLUS. REF. NO.	PART NAME	GROUP
1.	SCREW & WASHER ASSY. — Horn to radiator panel	2.810	4.	LEAD ASSY. — Low note to high note horn jumper	2.810
2.	HORN ASSEMBLY — High note	2.810	5.	RELAY — Horn	2.815
3.	CLIP — Lighting harness to radiator support panel	2.555	6.	GROMMET — Cable thru radiator support	2.586
			7.	HORN ASSEMBLY — Low note	2.810



**STEERING WHEEL and HORN BAR
STANDARD TYPE**

ILLUS. REF. NO.	PART NAME	GROUP
1.	WHEEL ASSY. — Steering	6.513
2.	BAR ASSY. — Horn attaching	2.830
3.	LEAD ASSY. — Horn bar earth	2.830
4.	SUPPORT & RING ASSY. — Horn contact	2.822



**STEERING WHEEL and HORN BAR
SPORTS TYPE**

ILLUS. REF. NO.	PART NAME	GROUP
1.	WHEEL ASSY. - Steering	6.513
2.	SPRING - Horn button adaptor to steering wheel	2.824
3.	ADAPTOR - Horn button	2.824
4.	SCREW - Horn button adaptor to steering wheel	2.824
5.	BUTTON ASSY. - Horn	2.820
6.	SCREW - Horn contact adjusting	2.819
7.	SUPPORT & RING ASSY. - Horn contact	2.822

TORANA "LX" PARTS CATALOGUE

GROUP	DESCRIPTION	MODEL	SIDE	PART No.	QTY.
2.041 MOTOR – Starter					
	MOTOR ASSY.	4 Cyl. Eng.		1202004	1
	MOTOR ASSY.(Bosch)	2250, 2850 Eng.	RIGHT HAND DRIVE	2819376	1
			LEFT HAND DRIVE	9928855	1
	MOTOR ASSY(Lucas)	2250, 2850 Eng.	RIGHT HAND DRIVE	2819377	1
	MOTOR ASSY.(Bosch)	3300 Eng.	RIGHT HAND DRIVE	2815873	1
			LEFT HAND DRIVE	9928855	1
	MOTOR ASSY.(Lucas)	3300 Eng.	RIGHT HAND DRIVE	2815872	1
	MOTOR ASSY(Bosch)	8 Cyl. Eng.	RIGHT HAND DRIVE	7438110	1
	BOLT – Starter motor	4 Cyl. Eng.		2002225	2
	SUPPORT – Starter motor to engine	4 Cyl. Eng.		1202631	1
	NUT – Support to starter motor	4 Cyl. Eng.		2066102	2
	WASHER – Support to starter motor	4 Cyl. Eng.		2080078	4
	STUD – Support to engine	4 Cyl. Eng.		1288925	1
	BOLT – Starter motor	6 Cyl. Eng.		SP 2079	2
	BOLT – Starter motor	8 Cyl. Eng.		7435397	1
	BOLT – Starter motor	8 Cyl. Eng.		2810367	1
	BRACKET – Starter motor steady <i>SUPPORT TO BLOCK</i>	4.2 litre Eng. <i>(LUCAS)</i>		VS11887	1
	BOLT – Steady bracket to starter motor <i>!!.....!!.....!!</i>	4.2 litre Eng. <i>(LUCAS)</i>		VS11888	1
	BOLT – Steady bracket to engine	8 Cyl. Eng.		SP2078	1
2.043 ARMATURE – Starter motor					
	ARMATURE	4 Cyl. Eng.		1203114	1
	ARMATURE(Bosch)	6, 8 Cyl. Eng.		7424652	1
	ARMATURE(Lucas)	2250, 2850 Eng.	RIGHT HAND DRIVE	VS11964	1
	ARMATURE(Lucas)	3300 Eng.	RIGHT HAND DRIVE	VS12569	1
2.049 COIL SET – Starter motor field					
	COIL SET	4 Cyl. Eng.		1203322	1
	COIL SET	4 Cyl. Eng.		1203322	1
	COIL SET(Bosch)	2250, 2850 Eng.	RIGHT HAND DRIVE	7424642	1
	COIL SET(Bosch)	3300 Eng.	RIGHT HAND DRIVE	VS10971	1
	COIL SET(Lucas)	2250, 2850 Eng.	RIGHT HAND DRIVE	VS10280	1
	COIL SET(Lucas)	3300 Eng.	RIGHT HAND DRIVE	VS12570	1
	COIL SET(Bosch)	6 Cyl. Eng.	LEFT HAND DRIVE	VS10971	1
	COIL SET(Bosch)	4.2 Litre Eng.		⁽⁷¹⁾ 7424642	1
	COIL SET(Bosch)	8 Cyl. Eng.	RIGHT HAND DRIVE	⁽⁷²⁾ VS10971	1
	INSULATOR – Field coil to housing(Bosch)	6, 8 Cyl. Eng.		7424644	1
	INSULATOR – Field coil to pole shoe(Bosch)	6, 8 Cyl. Eng.		7424645	1
2.051 BRUSH SET – Starter motor					
	BRUSH SET	4 Cyl. Eng.		1203014	1
	BRUSH SET(Bosch)	6, 8 Cyl. Eng.		7424660	1
	BRUSH SET(Lucas)	6 Cyl. Eng.	RIGHT HAND DRIVE	VS11875	1
2.052 PLATE – Starter motor brush holder					
	PLATE ASSY.(Bosch)	6 Cyl. Eng.		VS11970	1
	PLATE ASSY.(Bosch)	4.2 Litre Eng.		⁽⁷¹⁾ VS11970	1
	PLATE ASSY.(Bosch)	8 Cyl. Eng.	RIGHT HAND DRIVE	⁽⁷²⁾ 7424659	1
	HOLDER – Brush(Lucas)	6 Cyl. Eng.	RIGHT HAND DRIVE	VS11876	1
	SCREW – Holder attaching(Lucas)	6 Cyl. Eng.	RIGHT HAND DRIVE	VS11878	2
	WASHER – Attaching screw(Lucas)	6 Cyl. Eng.	RIGHT HAND DRIVE	VS10812	2
2.053 SPRING, SPRING and PLATE – Starter motor brush					
	SPRING(Bosch)	6, 8 Cyl. Eng.		7424661	4
	SPRING & PLATE ASSY.(Lucas)	6 Cyl. Eng.	RIGHT HAND DRIVE	VS11877	1
2.063 CAP – Starter motor armature					
	CAP – Bearing(Bosch)	6, 8 Cyl. Eng.		7424665	1
	SCREW – Bearing cap(Bosch)	6, 8 Cyl. Eng.		VS11971	2
	WASHER – Bearing cap screw lock(Bosch)	6, 8 Cyl. Eng.		7406618	2
	Note: ⁽⁷¹⁾ Use with starter motor branded 9000 063 017.				
	⁽⁷²⁾ Use with starter motor branded 9000 063 005.				

TORANA "LX" PARTS CATALOGUE

GROUP	DESCRIPTION	MODEL	SIDE	PART No.	QTY.
2.067	FRAME – Starter motor commutator end				
	FRAME ASSY.(Bosch)	6, 8 Cyl. Eng.		7424657	1
	FRAME ASSY.(Lucas)	6 Cyl. Eng.RIGHT HAND DRIVE		VS11871	1
2.077	BOLT & SCREW – Starter motor				
	BOLT SET - Through	4 Cyl. Eng.		1203870	1
	BOLT - Through(Bosch)	6, 8 Cyl. Eng.		7424666	2
	WASHER - Through bolt(Bosch)	6, 8 Cyl. Eng.		VS11092	2
	BOLT - Through(Lucas)	6 Cyl. Eng.RIGHT HAND DRIVE		VS12081	2
	WASHER - Through bolt(Lucas)	2250, 2850 Eng.RIGHT HAND DRIVE		VS10832	2
	SCREW - Pole shoe(Bosch)	6, 8 Cyl. Eng.		VS11091	4
2.080	SUNDRY PARTS KIT – Starter motor				
	KIT(Bosch)	6, 8 Cyl. Eng.		VS11089	1
	KIT(Lucas)	3300 Eng.RIGHT HAND DRIVE		VS12579	1
2.083	BUSHING – Starter motor				
	BUSHING - C.E.	4 Cyl. Eng.		1203215	1
	BUSHING - D.E.	4 Cyl. Eng.		1203215	1
	BUSHING - C.E.(Bosch)	6, 8 Cyl. Eng.		7405590	1
	BUSHING - D.E.(Bosch)	6, 8 Cyl. Eng.		7424647	1
	BUSHING - C.E.(Lucas)	6 Cyl. Eng.RIGHT HAND DRIVE		VS11874	1
	BUSHING - D.E.(Lucas)	6 Cyl. Eng.RIGHT HAND DRIVE		VS10828	1
2.085	HOUSING – Starter motor drive with bushing				
	HOUSING(Bosch)	6 Cyl. Eng.RIGHT HAND DRIVE		VS11146	1
	HOUSING(Bosch)	6 Cyl. Eng.LEFT HAND DRIVE		VS12499	1
	HOUSING(Bosch)	4.2 Litre Eng.		(⁷¹ VS10972	1
	HOUSING(Bosch)	8 Cyl. Eng.		(⁷² VS11146	1
	SEAL - To clutch/converter housing(Bosch)	8 Cyl. Eng.		VS10973	1
	HOUSING(Lucas)	6 Cyl. Eng.RIGHT HAND DRIVE		VS11883	1
2.086	DRIVE – Starter motor				
	DRIVE ASSY.	4 Cyl. Eng.		1203173	1
	DRIVE ASSY.(Bosch)	6, 8 Cyl. Eng.		7424653	1
	DRIVE ASSY.(Lucas)	2250, 2850 Eng.RIGHT HAND DRIVE		VS10815	1
	DRIVE ASSY.(Lucas)	3300 Eng.		VS12574	1
2.087	COMPONENTS – Starter motor pinion				
	BUSHING - Drive(Bosch)	6, 8 Cyl. Eng.		7424631	1
	BUFFER - Drive(Bosch)	6, 8 Cyl. Eng.		7420847	1
	WASHER - Thrust, plain steel(Lucas)	2250, 2850 Eng.RIGHT HAND DRIVE		VS11872	1
	WASHER - Thrust, stepped steel(Lucas)	2250, 2850 Eng.RIGHT HAND DRIVE		VS11881	1
	WASHER - Thrust, nylon(Lucas)	2250, 2850 Eng.RIGHT HAND DRIVE		VS11882	1
	SHIM(Lucas)	2250, 2850 Eng.RIGHT HAND DRIVE		VS11873	1
	BUSHING - Pinion bearing(Lucas)	2250, 2850 Eng.RIGHT HAND DRIVE		VS10821	1
	RING - Lock(Lucas)	2250, 2850 Eng.RIGHT HAND DRIVE		VS10816	1
	SPRING - Engaging(Lucas)	2250, 2850 Eng.RIGHT HAND DRIVE		VS10817	1
	PLATE - Thrust(Lucas)	2250, 2850 Eng.RIGHT HAND DRIVE		VS10820	1
	PLATE - Operating(Lucas)	2250, 2850 Eng.RIGHT HAND DRIVE		VS10818	1
	COLLAR - Bearing(Lucas)	2250, 2850 Eng.RIGHT HAND DRIVE		VS10819	1
	WASHER - Thrust(Lucas)	3300 Eng.		VS12576	1
	SHIM(Lucas)	3300 Eng.		VS12578	1
	RING - Lock(Lucas)	3300 Eng.		VS10816	1
	SPRING - Engaging(Lucas)	3300 Eng.		VS10817	1
	PLATE - Operating(Lucas)	3300 Eng.		VS12572	1
	COLLAR - Bearing(Lucas)	3300 Eng.		VS10819	1

Note: (⁷¹) Use with starter motor branded 9000 063 017.

(⁷²) Use with starter motor branded 9000 063 005.

TORANA "LX" PARTS CATALOGUE

GROUP	DESCRIPTION	MODEL	SIDE	PART No.	QTY.
2.096	STOP, COLLAR, RING – Starter motor				
	REPAIR KIT	4 Cyl. Eng.		1203430	1
	STOP - Pinion(Bosch)	6, 8 Cyl. Eng.		7424633	1
	COLLAR - Drive end(Lucas)	6 Cyl. Eng.RIGHT HAND DRIVE		VS10826	1
	RING - Collar retaining(Lucas)	6 Cyl. Eng.RIGHT HAND DRIVE		7428707	1
2.100	SWITCH – Starter				
	SWITCH - Solenoid	4 Cyl. Eng.		1202067	1
	GASKET - Switch to starter motor	4 Cyl. Eng.		1203800	1
	SWITCH - Solenoid(Bosch)	6, 8 Cyl. Eng.		VS10215	1
	SCREW - Switch attaching(Bosch)	6, 8 Cyl. Eng.		7424669	2
	SWITCH - Solenoid(Lucas)	2250, 2850 Eng.RIGHT HAND DRIVE		VS10822	1
	SWITCH - Solenoid(Lucas)	3300 Eng.		VS12580	1
	NUT - Switch attaching(Lucas)	6 Cyl. Eng.RIGHT HAND DRIVE		7406859	2
	NUT - Terminal(Lucas)	6 Cyl. Eng.RIGHT HAND DRIVE		VS10823	2
	WASHER - Terminal nut(Lucas)	6 Cyl. Eng.RIGHT HAND DRIVE		VS10824	2
2.101	GROMMET – Starter motor cable outlet				
	GROMMET(Lucas)	6 Cyl. Eng.RIGHT HAND DRIVE		VS11885	1
2.102	STARTER MOTOR (SOLENOID) COMPONENTS				
	COVER - Switch(Bosch)	6, 8 Cyl. Eng.		VS11090	1
	GASKET - Solenoid 0.5 mm(Bosch)	6, 8 Cyl. Eng.		7424678	A.R.
	GASKET - Solenoid 1.0 mm(Bosch)	6, 8 Cyl. Eng.		7424679	A.R.
	NUT - Contact bolt(Bosch)	6, 8 Cyl. Eng.		7405645	2
	SCREW - Cover attaching(Bosch)	6, 8 Cyl. Eng.RIGHT HAND DRIVE		VS11973	2
	SCREW - Cover attaching(Bosch)	6 Cyl. Eng.LEFT HAND DRIVE		VS12500	2
	WASHER - Main terminal(Bosch)	6, 8 Cyl. Eng.		VS11087	1
	WASHER - Switch cover screw(Bosch)	6, 8 Cyl. Eng.		VS11086	2
	NUT - Terminal(Lucas)	6 Cyl. Eng.RIGHT HAND DRIVE		VS10823	2
	WASHER - Terminal nut(Lucas)	6 Cyl. Eng.RIGHT HAND DRIVE		VS10824	2
2.108	REPAIR KIT, LEVER – Starter motor shift				
	REPAIR KIT	4 Cyl. Eng.		1612306	1
	LEVER ASSY.(Bosch)	6, 8 Cyl. Eng.		7424648	1
	SCREW - Pivot(Bosch)	6, 8 Cyl. Eng.		7424649	1
	NUT - Pivot screw(Bosch)	6, 8 Cyl. Eng.		7405604	1
	WASHER - Lock(Bosch)	6, 8 Cyl. Eng.		VS11969	1
	LEVER ASSY.(Lucas)	2250, 2850 Eng.RIGHT HAND DRIVE		VS10813	1
	PIN - Lever pivot(Lucas)	2250, 2850 Eng.RIGHT HAND DRIVE		VS10814	1
	NUT - Pivot pin(Lucas)	2250, 2850 Eng.RIGHT HAND DRIVE		7406835	1
	LEVER ASSY.(Lucas)	3300 Eng.RIGHT HAND DRIVE		VS12573	1
	PIN - Lever pivot(Lucas)	3300 Eng.RIGHT HAND DRIVE		VS12571	1
	WASHER - Pivot pin(Lucas)	3300 Eng.RIGHT HAND DRIVE		VS12568	1
2.170	COIL, BRACKET – Ignition				
	COIL & BRACKET ASSY	4 Cyl. Eng.		3474207	1
	BOLT - Bracket to upper inspection cover	4 Cyl. Eng.		2000118	2
	WASHER - Bracket to upper inspection cover	4 Cyl. Eng.		120392	2
	COIL ASSY(Bosch)	6 Cyl. Eng.		7422779	1
	BRACKET & SCREW ASSY(Bosch)	6 Cyl. Eng.		7422780	1
	COIL ASSY.(Lucas)	6 Cyl. Eng.		7431087	1
	BRACKET & SCREW ASSY(Lucas)	6 Cyl. Eng.		7422907	1
	BOLT - Bracket to Cyl. head.	6 Cyl. Eng.		122104	1
	WASHER - Bracket to Cyl. head.	6 Cyl. Eng. exc. Air Cond.		120394	1
	WASHER - Bracket to Cyl. head.	6 Cyl. Eng. Air Cond.		120382	1
	COIL ASSY.(Bosch)	8 Cyl. Eng.		7435105	1
	COIL ASSY.(Lucas)	8 Cyl. Eng.		7440470	1
	BRACKET & SCREW ASSY.	8 Cyl. Eng.		7449585	1
	BOLT & WASHER - Bracket to inlet manifold.	8 Cyl. Eng.		SP2154	1

TORANA "LX" PARTS CATALOGUE

GROUP	DESCRIPTION	MODEL	SIDE	PART No.	QTY.
2.188	SWITCH – Ignition and starting				
	LOCK ASSY. – Ignition (Coded)	ALL		9934521	1
	SERVICE PACKAGE – Ignition lock (Uncoded)	ALL		9934587	1
	SWITCH ASSY. – Ignition & Starter	ALL		2811924	1
	TUMBLER – No. 1 (Package of 100)	ALL		3901061	A.R.
	TUMBLER – No. 2 (Package of 100)	ALL		3901062	A.R.
	TUMBLER – No. 3 (Package of 100)	ALL		3901063	A.R.
	TUMBLER – No. 4 (Package of 100)	ALL		3901064	A.R.
	TUMBLER – No. 5 (Package of 100)	ALL		3901065	A.R.
	BOLT – Switch to column	ALL		SP2319	2
	BOLT & SPRING ASSY – Steering lock	ALL		2812811	1
	WASHER – Steering lock thrust	ALL		7805950	1
2.195	RACK AND ROD, SHAFT, SECTOR – Ignition switch actuator				
	RACK & ROD ASSY.	ALL		2813550	1
	SPRING – Rack preload	ALL		7804410	1
	SHAFT – Sector	ALL		7804412	1
	SECTOR – Actuator	ALL		7806046	1
2.239	WIRE UNIT – Spark plug and distributor				
	WIRE UNIT – T.V.R.S.	4 Cyl. Eng.		9942545	1
	WIRE UNIT – T.V.R.S.	6 Cyl. Eng.		7423454	1
	WIRE UNIT – Copper wire	6 Cyl. Eng.		7436752	1
	WIRE UNIT – T.V.R.S.	8 Cyl. Eng.		9938279	1
	WIRE UNIT – Copper wire	8 Cyl. Eng.		9936674	1
2.251	SUPPORT, BRACKET, RETAINER – Spark plug wire				
	SUPPORT – Steel	4 Cyl. Eng.		1288682	1
	SUPPORT – Plastic	4 Cyl. Eng.		1288681	1
	BRACKET – Retainer to rocker cover	8 Cyl. Eng.		9932450	4
	RETAINER – Spark plug wire	8 Cyl. Eng.		9932449	4
	RETAINER – Spark plug wire	8 Cyl. Eng.		2965736	2
2.258	CAP, NIPPLE, BOOT – Spark plug wire insulating				
	CAP – Spark plug wire guard	4 Cyl. Eng.		1212707	1
	NIPPLE – Distributor cap insulating	6, 8 Cyl. Eng.		5289527	6-8
	NIPPLE – Coil lead insulating (cap end)	6, 8 Cyl. Eng.		5289527	1-2
	NIPPLE – Coil lead insulating (coil end)	6, 8 Cyl. Eng.		5290441	1-2
	BOOT – Spark plug	6 Cyl. Eng.		9938467	6
	BOOT – Spark plug	8 Cyl. Eng.		2965987	8
2.270	PLUG – Spark				
	PLUG – Spark	4 Cyl. Eng.		42FS	4
	PLUG – Spark	2250, 2850 Eng.		44T	6
	PACKAGE – (Set of 6 No. 44T)	2250, 2850 Eng.		2820504	1
	PLUG – Spark	3300 Eng.		45T	6
	PACKAGE – (Set of 6 No. 45T)	3300 Eng.		2820505	1
	PLUG – Spark	8 Cyl. Eng.		44T	8
	PACKAGE – (Set of 8 No. 44T)	8 Cyl. Eng.		2819771	1
	PLUG – Spark (Optional)	3300 Eng.		45TC	6
	PLUG – Spark (Optional)	2850 Eng.		44TC	6
	PLUG – Spark (Optional)	8 Cyl. Eng.		44TC	8
	PLUG – Spark (Optional)	6, 8 Cyl. Eng.		43T	6-8
2.274	PULLEY, FAN – Generator				
	PULLEY	4 Cyl. Eng. exc. Air Cond.		3472410	1
	FAN	4 Cyl. Eng.		(⁴⁹ 3472395	1
	FAN	4 Cyl. Eng.		(⁵⁰ 3472419	1

Note: (⁴⁹ Use with 33 amp generator.
(⁵⁰ Use with 45 amp generator.

TORANA "LX" PARTS CATALOGUE

GROUP	DESCRIPTION	MODEL	SIDE	PART No.	QTY.
2.274	PULLEY, FAN – Generator (contd.)				
	FAN	4 Cyl. Eng. Air Cond.		3472419	1
	PULLEY	6 Cyl. Eng.		2825019	1
	PULLEY - 2 $\frac{1}{16}$ " diameter	8 Cyl. Eng.		2825019	1
	FAN	6, 8 Cyl. Eng.		7430410	1
2.275	GENERATOR				
	GENERATOR ASSY.	4 Cyl. Eng. exc. Air Cond.		3472002	1
	GENERATOR ASSY.	4 Cyl. Eng. Air Cond.		3472018	1
	GENERATOR ASSY.(Bosch)	6, 8 Cyl. Eng. exc. Air Cond.		9930535	1
	GENERATOR ASSY.(Lucas)	6, 8 Cyl. Eng. exc. Air Cond.		2825480	1
	GENERATOR ASSY.(Bosch)	6, 8 Cyl. Eng. Air Cond.		9930537	1
2.277	BRACKET, SUPPORT, BOLT – Generator mounting				
	BRACKET ASSY.	4 Cyl. Eng.	1204656	(1204651)	1
	BOLT - Generator to bracket	4 Cyl. Eng.		2000245	1
	NUT - Generator bolt	4 Cyl. Eng.		2066150	1
	WASHER - Generator bolt	4 Cyl. Eng.		2080241	1
	BUSHING - Bracket damper	4 Cyl. Eng.		1204880	2
	BRACKET ASSY	6 Cyl. Eng. exc. Air Cond.		7429932	1
	BOLT - Generator to bracket	6 Cyl. Eng. exc. Air Cond.		127968	1
	WASHER - Generator to bracket	6 Cyl. Eng. exc. Air Cond.		120382	1
	NUT - Generator to bracket	6 Cyl. Eng. exc. Air Cond.		120369	1
	BOLT & LOCK WASHER - Bracket to Cyl. block, hex. hd. $\frac{3}{8}$ " - 16 x 1 $\frac{1}{8}$ "	6 Cyl. Eng. exc. Air Cond.		SP2071	1
	BOLT & LOCK WASHER - Bracket to Cyl. block, hex. hd. $\frac{3}{8}$ " - 16 x $\frac{7}{8}$ "	6 Cyl. Eng. exc. Air Cond.		SP2077	1
	BRACKET - Front	8 Cyl. Eng.		9928769	1
	BOLT - Bracket & support to Cyl. head.	8 Cyl. Eng.		191163	2
	BOLT - Bracket & generator to support	8 Cyl. Eng.		125926	1
	NUT - Bracket & generator to support	8 Cyl. Eng.		120369	1
	SUPPORT - Rear	8 Cyl. Eng. exc. Air Cond.		9928767	1
	BOLT - Support to Cyl. head.	8 Cyl. Eng. exc. Air Cond.		180126	1
	WASHER - Support to Cyl. head.	8 Cyl. Eng. exc. Air Cond.		120394	1
2.279	ROTOR – Generator				
	ROTOR ASSY.	4 Cyl. Eng. exc. Air Cond.		(⁴⁹ 3472351)	1
	ROTOR ASSY	4 Cyl. Eng. exc. Air Cond.		(⁵⁰ 1205512)	1
	ROTOR ASSY.	4 Cyl. Eng. Air Cond.		3472421	1
	ROTOR(Bosch)	6, 8 Cyl. Eng. exc. Air Cond.		VS12376	1
	ROTOR(Bosch)	6, 8 Cyl. Eng. Air Cond.		VS12560	1
	SLIP RING(Bosch)	6, 8 Cyl. Eng. exc. Air Cond.		VS11094	1
	SLIP RING(Bosch)	6, 8 Cyl. Eng. Air Cond.		VS12558	1
	ROTOR(Lucas)	6, 8 Cyl. Eng. exc. Air Cond.		VS12321	1
	ROTOR(Lucas)	6, 8 Cyl. Eng. Air Cond.		VS12531	1
	SLIP RING(Lucas)	6, 8 Cyl. Eng.		VS12330	1
2.280	NUT, WASHER - Generator rotor				
	NUT	4 Cyl. Eng.		2909321	1
	WASHER	4 Cyl. Eng.		2909712	1
	NUT(Lucas)	6, 8 Cyl. Eng.		7405703	1
	WASHER(Lucas)	6, 8 Cyl. Eng.		VS11765	1
2.285	BRUSH SET – Generator				
	BRUSH AND CLIP ASSY.	4 Cyl. Eng.		3472319	2
	BRUSH SET(Bosch)	6, 8 Cyl. Eng. exc. Air Cond.		VS12023	1
	BRUSH AND SPRING SET(Lucas)	6, 8 Cyl. Eng.		VS12327	1
Note:	(⁴⁹) Use with 33 amp generator.				
	(⁵⁰) Use with 45 amp generator				

TORANA "LX" PARTS CATALOGUE

GROUP	DESCRIPTION	MODEL	SIDE	PART No.	QTY.
2.286	SPRING – Generator brush				
	SPRING	4 Cyl. Eng.		3472318	2
	SPRING(Bosch)	6, 8 Cyl. Eng. exc. Air Cond.		VS12024	2
2.287	PLATE AND LEAD – Generator diode				
	PLATE AND LEAD ASSY. W/THREE DIODES	4 Cyl. Eng.		3472312	1
2.289	RECTIFIER, TERMINAL – Generator				
	BRIDGE - Rectifier	4 Cyl. Eng.		3472311	1
	TERMINAL ASSY. - Negative	4 Cyl. Eng.		3472457	1
	WASHER - Negative Terminal	4 Cyl. Eng.		2909714	1
	NUT - Negative terminal	4 Cyl. Eng.		2909232	1
	TERMINAL ASSY. - Positive	4 Cyl. Eng.		3472458	1
	INSULATOR - Positive terminal	4 Cyl. Eng.		3472314	1
	WASHER - Positive terminal	4 Cyl. Eng.		2909715	1
	NUT - Positive terminal	4 Cyl. Eng.		2909236	1
	RECTIFIER ASSY.(Bosch)	6, 8 Cyl. Eng. exc. Air Cond.		VS12380	1
	RECTIFIER ASSY(Bosch)	6, 8 Cyl. Eng. Air Cond.		VS12561	1
	BOLT - Rectifier, long(Bosch)	6, 8 Cyl. Eng. exc. Air Cond.		VS12019	1
	BOLT - Rectifier, short(Bosch)	6, 8 Cyl. Eng. exc. Air Cond.		VS12020	2
2.289	SINK – Heat and components				
	SINK - Heat, negative with diodes(Lucas)	6, 8 Cyl. Eng. exc. Air Cond.		VS12323	1
	SINK - Heat, negative with diodes(Lucas)	6, 8 Cyl. Eng. Air Cond.		VS12088	1
	SINK - Heat, positive with diodes(Lucas)	6, 8 Cyl. Eng. exc. Air Cond.		VS12324	1
	SINK - Heat, positive with diodes(Lucas)	6, 8 Cyl. Eng. Air Cond.		VS12089	1
	PLATE - Field terminal with diodes(Lucas)	6, 8 Cyl. Eng. exc. Air Cond.		VS12325	1
	PLATE - Field terminal with diodes(Lucas)	6, 8 Cyl. Eng. Air Cond.		VS12533	1
	SUNDRY PARTS KIT - Heat sink mounting ..(Lucas)	6, 8 Cyl. Eng.		VS12091	1
2.291	HOLDER, BOX, MOULDING – Generator brush				
	HOLDER ASSY. - Brush	4 Cyl. Eng.		3472316	1
	SCREW - Brush holder mounting	4 Cyl. Eng.		3472322	2
	WASHER - Brush holder insulating	4 Cyl. Eng.		2909711	2
	WASHER - Brush holder screw	4 Cyl. Eng.		2909703	2
	BOX ASSY. - Generator brush(Lucas)	6, 8 Cyl. Eng. exc. Air Cond.		VS12326	1
	BOX ASSY. - Generator brush(Lucas)	6, 8 Cyl. Eng. Air Cond.		VS12535	1
	MOULDING - Generator brush box(Lucas)	6, 8 Cyl. Eng. exc. Air Cond.		VS12040	1
	SCREW - Generator brush box fixing(Lucas)	6, 8 Cyl. Eng. Air Cond.		VS12038	4
2.297	FRAME, PLATE, BRACKET – Generator slip ring end				
	FRAME ASSY	4 Cyl. Eng. exc. Air Cond.		(⁴⁹ 3472454	1
	FRAME ASSY	4 Cyl. Eng. exc. Air Cond.		(⁵⁰ 3472450	1
	FRAME ASSY.	4 Cyl. Eng. Air Cond.		3472450	1
	PLATE(Bosch)	6, 8 Cyl. Eng. exc. Air Cond.		VS12378	1
	BRACKET(Lucas)	6, 8 Cyl. Eng. exc. Air Cond.		VS12322	1
	BRACKET(Lucas)	6, 8 Cyl. Eng. Air Cond.		VS12532	1
	WASHER - Wave(Lucas)	6, 8 Cyl. Eng.		VS11776	1
2.298	BEARING – Generator slip ring end				
	BEARING & SEAL ASSY	4 Cyl. Eng.		3472455	1
	BEARING(Bosch)	6, 8 Cyl. Eng. exc. Air Cond.		7420853	1
	BEARING(Lucas)	6, 8 Cyl. Eng.		VS11773	1
2.305	FRAME, PLATE, BRACKET – Generator drive end				
	FRAME ASSY	4 Cyl. Eng. exc. Air Cond.		(⁴⁹ 3472459	1
	FRAME ASSY	4 Cyl. Eng. exc. Air Cond.		(⁵⁰ 3472451	1
	FRAME ASSY.	4 Cyl. Eng. Air Cond.		3472451	1

Note: (⁴⁹ Use with 33 amp generator.
(⁵⁰ Use with 45 amp generator.

TORANA "LX" PARTS CATALOGUE

GROUP	DESCRIPTION	MODEL	SIDE	PART No.	QTY.
2.305 FRAME, PLATE, BRACKET – Generator drive end (contd.)					
	PLATE(Bosch)	6, 8 Cyl. Eng. exc. Air Cond.		VS12338	1
	BRACKET(Lucas)	6, 8 Cyl. Eng. exc. Air Cond.		VS12700	1
	BRACKET(Lucas)	6, 8 Cyl. Eng. Air Cond.		VS12529	1
2.306 BEARING – Generator drive end					
	BEARING PACKAGE	4 Cyl. Eng.		3472460	1
	BEARING(Bosch)	6, 8 Cyl. Eng. exc. Air Cond.		7420850	1
	BEARING(Lucas)	6, 8 Cyl. Eng.		VS11767	1
2.307 SUNDRY PARTS – Generator drive end					
	COLLAR - Inner	4 Cyl. Eng.		3472350	1
	COLLAR - Outer	4 Cyl. Eng.		3472377	1
	SUNDRY PARTS SET(Bosch)	6, 8 Cyl. Eng. exc. Air Cond.		VS12027	1
	PLATE - Bearing retaining(Lucas)	6, 8 Cyl. Eng.		VS12084	1
	SCREW - Bearing retainer plate(Lucas)	6, 8 Cyl. Eng.		VS11771	3
	COLLAR - Distance(Lucas)	6, 8 Cyl. Eng. exc. Air Cond.		VS12320	1
	COLLAR - Distance(Lucas)	6, 8 Cyl. Eng. Air Cond.		VS12530	1
	WASHER - Support(Lucas)	6, 8 Cyl. Eng.		VS12085	1
	CIRCLIP - Shaft(Lucas)	6, 8 Cyl. Eng.		VS12092	1
2.310 STATOR – Generator					
	STATOR	4 Cyl. Eng. exc. Air Cond.		⁽⁴⁹⁾ 3472324	1
	STATOR	4 Cyl. Eng. exc. Air Cond.		⁽⁵⁰⁾ 3472330	1
	STATOR	4 Cyl. Air Cond.		3472429	1
	WASHER - Stator terminal	4 Cyl. Eng.		2909703	3
	NUT - Stator terminal	4 Cyl. Eng.		2909250	3
	STATOR(Bosch)	6, 8 Cyl. Eng. exc. Air Cond.		VS12374	1
	STATOR(Bosch)	6, 8 Cyl. Eng. Air Cond.		VS12559	1
	STATOR(Lucas)	6, 8 Cyl. Eng. exc. Air Cond.		VS12328	1
	STATOR(Lucas)	6, 8 Cyl. Eng. Air Cond.		VS12090	1
2.313 NUT, WASHER - Generator terminal					
	NUT - Battery lead to generator terminal	6, 8 Cyl. Eng.		121743	1
	WASHER - Battery lead to generator terminal	6, 8 Cyl. Eng.		121744	1
2.315 SUNDRY PARTS SET – Generator					
	SUNDRY PARTS SET(Bosch)	6, 8 Cyl. Eng. exc. Air Cond.		VS12028	1
2.316 BOLT – Generator through					
	BOLT	4 Cyl. Eng.		2909227	2
	BOLT(Bosch)	6, 8 Cyl. Eng. exc. Air Cond.		VS12026	4
	BOLT(Bosch)	6, 8 Cyl. Eng. Air Cond.		VS12562	4
	WASHER - Plain(Bosch)	6, 8 Cyl. Eng. exc. Air Cond.		7405633	4
	WASHER - Lock(Bosch)	6, 8 Cyl. Eng. exc. Air Cond.		7424685	4
	BOLT(Lucas)	6, 8 Cyl. Eng. exc. Air Cond.		VS11763	3
	BOLT(Lucas)	6, 8 Cyl. Eng. Air Cond.		VS12083	3
2.317 BRACE – Generator					
	BRACE	4 Cyl. Eng.		1204726	1
	BOLT - Generator to brace	4 Cyl. Eng.		2010112	1
	NUT - Generator to brace bolt	4 Cyl. Eng.		2064231	1
	BUSHING - Brace threaded	4 Cyl. Eng.		1204961	1
	BUSHING - Brace damper	4 Cyl. Eng.		1204881	1
	BRACE	6 Cyl. Eng. exc. Air Cond.		9931664	1
	BRACE	6 Cyl. Eng. Air Cond.		2814840	1
	BOLT ASSY - Brace to generator	6 Cyl. Eng.		SP2027	1
	BOLT - Therm. housing & brace to Cyl. hd.	6 Cyl. Eng.		180137	1
	WASHER - Therm. housing & brace to Cyl. hd.	6 Cyl. Eng.		120382	1
	SPACER - Brace to thermo housing	6 Cyl. Eng. Air Cond.		2814128	1
Note: ⁽⁴⁹⁾ Use with 33 amp generator.					
⁽⁵⁰⁾ Use with 45 amp generator.					

TORANA "LX" PARTS CATALOGUE

GROUP	DESCRIPTION	MODEL	SIDE	PART No.	QTY.
2.317	BRACE – Generator (contd.)				
	BRACE	8 Cyl Eng		9928768	1
	BOLT ASSY. – Brace to generator	8 Cyl. Eng.		SP2027	1
	SPACER – Brace to front cover	8 Cyl. Eng.		9930004	1
2.332	BATTERY				
	BATTERY – 50 amp. hour	ALL		432F	1
	BATTERY – 61 amp. hour (Optional)	ALL		456H	1
2.333	TRAY, RETAINER, BRACKET – Battery mounting				
	TRAY	ALL		9933264	1
	RETAINER	ALL		7434165	1
	RETAINER – (New Zealand)	4 Cyl. Eng.		7441938	1
	PLATE – Retainer lock	ALL		7420476	2
	BOLT – Mounting	ALL		9929134	2
	NUT – Wing. ¼" – 20	ALL		7077093	2
	BRACKET – Mounting bolt, front	ALL		2824124	1
	BRACKET – Mounting bolt, rear	ALL		2824123	1
2.341	CABLE – Battery ground				
	CABLE ASSY. – Negative	4 Cyl. Eng.		9929874	1
	CLIP – Negative cable to frame side member	4 Cyl. Eng.		SP1885	1
	NUT – Negative cable to engine	4 Cyl. Eng.		2064230	1
	WASHER – Negative cable to engine	4 Cyl. Eng.		2074152	1
	CLIP – Negative cable to frame side member (Gauges)	4 Cyl. Eng.		SP1885	1
	CABLE ASSY. – Negative	6 Cyl. Eng.		2824847	1
	BOLT – Negative cable to Cyl. hd.	6 Cyl. Eng.		154061	1
	WASHER – Negative cable to Cyl. hd.	6 Cyl. Eng.		138489	1
	CABLE ASSY. – Negative	8 Cyl. Eng.		9937274	1
	BOLT – Clip & negative cable to LH Cyl. hd.	8 Cyl. Eng.		122104	1
	WASHER – Clip & negative cable to LH Cyl. hd.	8 Cyl. Eng.		138489	1
2.342	CABLE – Starter				
	CABLE ASSY.	4 Cyl. Eng.		9929875	1
	CLIP – Cable to side member	4 Cyl. Eng.		SP1779	1
	NUT – Cable to starter motor	4 Cyl. Eng.		2064230	1
	WASHER – Cable to starter motor	4 Cyl. Eng.		2074152	1
	CABLE ASSY.	6 Cyl. Eng.		2824845	1
	NUT – Starter cable to motor	6 Cyl. Eng.		124824	1
	CLIP – 5/16" snap – Cable to frame side member	6 Cyl. Eng.		SP1885	1
	CLIP – 3/16" saddle – Cable to engine side rail	6 Cyl. Eng.		SP2359	1
	CLIP – 5/16" saddle – Cable to frame side member	6 Cyl. Eng.		SP2367	1
	CLIP – 3/16" saddle – Cable to left hand frame	6 Cyl. Eng.	Air Cond .RIGHT HAND DRIVE	SP2359	1
	CLIP – 3/16" – 5/16" Double saddle – Cable to left hand frame	6 Cyl. Eng.	Air Cond. .LEFT HAND DRIVE	SP2357	1
	CABLE ASSY.	8 Cyl. Eng.		9937273	1
	BOLT ASSY. – Cable & engine harness to engine	8 Cyl. Eng.		SP2055	1
	CLIP – Cable & engine harness to engine	8 Cyl. Eng.		SP2512	1
	CLIP – Cable to side member	8 Cyl. Eng.		SP1579	1
	SLEEVE – Starter cable	ALL		7414969	1
	CLIP – Cable and vac. hose to frame	8 Cyl. Eng.	Air Cond.	SP1778	1
2.361	DISTRIBUTOR				
	DISTRIBUTOR ASSY	4 Cyl. Eng.		1211032	1
	DISTRIBUTOR ASSY	2250 Eng.		2810081	1
	DISTRIBUTOR ASSY	2250 Eng.		2810250	1
	DISTRIBUTOR ASSY.	2850, 3300 Eng.		2820111	1
	DISTRIBUTOR ASSY.	2850, 3300 Eng.		2817884	1
	DISTRIBUTOR ASSY.	4.2 Litre Eng.		7434981	1
	DISTRIBUTOR ASSY.	5 Litre Eng.		2807236	1

TORANA "LX" PARTS CATALOGUE

GROUP	DESCRIPTION	MODEL	SIDE	PART No.	QTY.
2.362	BUSHING, FELT, GASKET – Distributor				
	GASKET	4 Cyl. Eng.		1212654	1
	BUSHING(Bosch)	6 Cyl. Eng.		VS10841	2
	FELT(Bosch)	6 Cyl. Eng.		VS10843	1
	BUSHING(Lucas)	6 Cyl. Eng.		VS12347	2
	FELT(Lucas)	6 Cyl. Eng.		VS12348	1
	GASKET	6 Cyl. Eng.		6256636	1
	BUSHING(Bosch)	8 Cyl. Eng.		VS10842	2
	FELT(Bosch)	8 Cyl. Eng.		VS10844	1
	GASKET	8 Cyl. Eng.		7434855	1
2.364	WICK – Distributor				
	WICK(Bosch)	6, 8 Cyl. Eng.		VS10210	1
2.367	CAP – Distributor				
	CAP	4 Cyl. Eng.		1212140	1
	CAP(Bosch)	6 Cyl. Eng.		VS10866	1
	CAP(Lucas)	6 Cyl. Eng.		7428968	1
	CAP(Bosch)	8 Cyl. Eng.		VS10867	1
2.368	SPRING – Distributor cap retaining				
	SPRING(Bosch)	6, 8 Cyl. Eng.		VS10868	2
	SPRING(Lucas)	6 Cyl. Eng.		7428982	2
2.370	BRUSH – Distributor cap				
	BRUSH(Bosch)	6, 8 Cyl. Eng.		7405562	1
	BRUSH(Lucas)	6 Cyl. Eng.		1018694	1
2.371	SHIELD – Distributor moisture				
	SHIELD	4 Cyl. Eng.		1212727	1
2.372	SHAFT – Distributor				
	SHAFT(Bosch)	6 Cyl. Eng.		VS10202	1
	SHAFT(Lucas)	6 Cyl. Eng.		VS12345	1
	SHAFT(Bosch)	8 Cyl. Eng.		VS10849	1
	WASHER - Thrust fibre - Upper & lower(Bosch)	6, 8 Cyl. Eng.		7424746	2
	SHIM - Thrust 0.1mm - Upper & lower(Bosch)	6, 8 Cyl. Eng.		7405613	A.R.
	SHIM - Thrust 0.2mm - Upper & lower(Bosch)	6, 8 Cyl. Eng.		7405615	A.R.
	SHIM - Thrust 0.3mm - Upper & lower(Bosch)	6, 8 Cyl. Eng.		7405614	A.R.
2.374	GEAR PACKAGE, GEAR – Distributor				
	GEAR PACKAGE	6 Cyl. Eng.		7423613	1
	GEAR PACKAGE	8 Cyl. Eng.		M37137	1
	GEAR	8 Cyl. Eng.		VS10976	1
2.379	PIN – Distributor gear				
	PIN - Slotted spring	6, 8 Cyl. Eng.		454512	1
2.381	CAM – Distributor				
	CAM(Bosch)	2250 Eng.		VS11435	1
	CAM(Lucas)	2250 Eng.		VS12342	1
	CAM(Bosch)	2850, 3300 Eng.		VS12012	1
	CAM(Lucas)	2850, 3300 Eng.		VS10306	1
	CAM(Bosch)	4.2 Litre Eng.		VS10854	1
	CAM(Bosch)	5 Litre Eng.		VS10988	1
	RING - Cam spacer(Bosch)	6, 8 Cyl. Eng.		VS10211	1
	WASHER - Cam retainer(Bosch)	6, 8 Cyl. Eng.		VS12193	1
	CIRCLIP - Cam retainer(Bosch)	6, 8 Cyl. Eng.		VS10204	1
	CIRCLIP - Cam retainer(Lucas)	6 Cyl. Eng.		VS12343	1

TORANA "LX" PARTS CATALOGUE

GROUP	DESCRIPTION	MODEL	SIDE	PART No.	QTY.
2.382	ROTOR – Distributor				
	ROTOR	4 Cyl. Eng.		1212208	1
	ROTOR(Bosch)	6 Cyl. Eng.		7424753	1
	ROTOR(Lucas)	6 Cyl. Eng.		7428969	1
	ROTOR(Bosch)	8 Cyl. Eng.		VS10865	1
2.384	CONTACT SET – Distributor				
	CONTACT SET	4 Cyl. Eng.		1612229	1
	CONTACT SET(Bosch)	6, 8 Cyl. Eng.		VS10858	1
	CONTACT SET(Lucas)	6 Cyl. Eng.		7139364	1
2.385	PLATE – Distributor breaker				
	PLATE – Breaker	4 Cyl. Eng.		1212833	1
	PLATE & SUPPORT ASSY.(Bosch)	6 Cyl. Eng.		VS10856	1
	PLATE – Breaker base(Lucas)	6 Cyl. Eng.		VS12352	1
	PLATE – Contact breaker bearing(Lucas)	6 Cyl. Eng.		7428972	1
	SCREW – Plate support(Bosch)	6 Cyl. Eng.		VS10861	2
	WASHER – Support screw lock(Bosch)	6, 8 Cyl. Eng.		VS10992	2
	BALL – Plate retaining(Bosch)	6, 8 Cyl. Eng.		7406742	1
	RETAINER – Plate ball(Bosch)	6, 8 Cyl. Eng.		VS10863	1
	PLATE & CONTACT BREAKER ASSY.(Bosch)	8 Cyl. Eng.		VS10857	1
2.387	SCREW – Distributor				
	SCREW – Contact breaker(Bosch)	6, 8 Cyl. Eng.		7424749	1
	WASHER – Plain(Bosch)	6, 8 Cyl. Eng.		7406900	1
	WASHER – Screw Lock(Bosch)	6, 8 Cyl. Eng.		7406323	1
2.388	WEIGHT – Distributor				
	WEIGHT(Bosch)	6, 8 Cyl. Eng.		VS10205	2
	WEIGHT(Lucas)	6 Cyl. Eng.		7428980	2
	WASHER – Weight spacer(Bosch)	6, 8 Cyl. Eng.		VS10206	2
2.389	SPRING – Distributor weight				
	SPRING SET(Lucas)	2250 Eng.		VS12344	1
	SPRING SET(Lucas)	2850, 3300 Eng.		VS12351	1
	SPRING – Light(Bosch)	2250 Eng.		VS10851	1
	SPRING – Light(Bosch)	2850, 3300 Eng.		VS11737	1
	SPRING – Heavy(Bosch)	2250 Eng.		VS10852	1
	SPRING – Heavy(Bosch)	2850, 3300 Eng.		VS11738	1
	SPRING – Light(Bosch)	4.2 Litre Eng.		VS10853	1
	SPRING – Heavy(Bosch)	4.2 Litre Eng.		VS10852	1
	SPRING – Light(Bosch)	5 Litre Eng.		VS10851	1
	SPRING – Heavy(Bosch)	5 Litre Eng.		VS10986	1
2.393	CONDENSER – Distributor				
	CONDENSER	4 Cyl. Eng.		1212235	1
	CONDENSER(Bosch)	6 Cyl. Eng.		VS10845	1
	SCREW & WASHER – Attaching(Bosch)	6 Cyl. Eng.		VS10982	1
	CONDENSER(Lucas)	6 Cyl. Eng.		7428970	1
	CONDENSER(Bosch)	8 Cyl. Eng.		VS10846	1-2
	SCREW & WASHER – Attaching(Bosch)	8 Cyl. Eng.		VS10982	1-2
2.400	LEAD – Distributor				
	LEAD ASSY – Low tension(Lucas)	6 Cyl. Eng.		VS10305	1
	LEAD ASSY. – Earth(Lucas)	6 Cyl. Eng.		VS12346	1
2.410	VACUUM CONTROL – Distributor				
	VACUUM CONTROL ASSY.	4 Cyl. Eng.		1211106	1
	VACUUM CONTROL ASSY.(Bosch)	2250 Eng.		VS11434	1
	VACUUM CONTROL ASSY.(Bosch)	2850, 3300 Eng.		VS10869	1
	VACUUM CONTROL ASSY(Lucas)	6 Cyl. Eng.		VS12340	1
	SCREW & WASHER – Attaching(Bosch)	6 Cyl. Eng.		VS10982	1

TORANA "LX" PARTS CATALOGUE

GROUP	DESCRIPTION	MODEL	SIDE	PART No.	QTY.
2.410	VACUUM CONTROL – Distributor (contd.)				
	CLIP – Rod attaching(Bosch)	6 Cyl. Eng.		7405638	1
	VACUUM CONTROL ASSY.(Bosch)	4.2 Litre Eng.		VS10870	1
	VACUUM CONTROL ASSY.(Bosch)	5 Litre Eng.		VS11002	1
	SCREW & WASHER – Attaching(Bosch)	8 Cyl. Eng.		VS10982	1
	CLIP – Rod attaching(Bosch)	8 Cyl. Eng.		7405638	1
2.414	BRACKET, CLAMP, RETAINER – Distributor				
	BRACKET	4 Cyl. Eng.		1212378	1
	BOLT & LOCK WASHER, 8mm x 1.25 x 32mm	4 Cyl. Eng.		2018110	1
	CLAMP	6, 8 Cyl. Eng.		7421939	1
	RETAINER	6, 8 Cyl. Eng.		3770598	1
	BOLT – Clamp to cylinder block	6, 8 Cyl. Eng.		106331	1
2.424	PIPE, HOSE – Spark control				
	PIPE	4 Cyl. Eng.		1212108	1
	CLAMP – Pipe to cyl. head	4 Cyl. Eng.		1212501	1
	PIPE ASSY.	2250 Eng.		7426212	1
	PIPE	2850, 3300 Eng.		9930308	1
	HOSE	6 Cyl. Eng.		⁽³⁴⁾ 2820844	2
	HOSE – Pipe to vacuum control	6 Cyl. Eng.		⁽³⁵⁾ 9936654	2
	HOSE – Pipe to carburettor	6 Cyl. Eng.		⁽³⁵⁾ 9937623	1
	HOSE	4.2 Litre Eng.		⁽³⁴⁾ 7436713	1
	HOSE	5 Litre Eng.		⁽³⁴⁾ 2807752	1
	HOSE	(A) 8 Cyl. Eng.		⁽³⁵⁾ 9937659	1
	CLIP – Control pipe to fuel pipe	6 Cyl. Eng.		599119	2
2.447	SWITCH – Stop light				
	SWITCH ASSY	ALL		2813385	1
	NUT – Switch attaching	ALL		858388	2
2.459	SWITCH – Dimmer				
	SWITCH ASSY	LEFT HAND DRIVE		1997037	1
	SCREW	LEFT HAND DRIVE		SP2058	2
	SCREW – Switch to floor pan	LEFT HAND DRIVE		9419609	2
	NOTE: Refer Group 2.859 for RIGHT HAND DRIVE Application*				
2.481	PANEL, BRACKET – Fuse				
	PANEL ASSY	ALL		9942044	1
	SCREW – Panel assy. to instrument panel assy.	ALL		9414722	1
	BRACKET – Panel mounting	ALL		2810251	1
	CLIP & TERMINAL ASSY. – Fuse holder	ALL		7418077	2
	FUSE – 3 amp.	ALL		9426341	A.R.
	FUSE – 15 amp.	ALL		9426333	A.R.
	FUSE – 25 amp.	ALL		9426332	A.R.
2.485	SWITCH – Lighting				
	SWITCH ASSY	ALL		2824564	1
2.486	ROD – Lighting switch control				
	ROD ASSY	ALL		2824608	1
2.487	BUSHING – Lighting switch				
	BUSHING ASSY.	ALL		9933019	1

Note: ⁽³⁴⁾ Use without fuel evaporative emission control.
⁽³⁵⁾ Use with fuel evaporative emission control.

TORANA "LX" PARTS CATALOGUE

GROUP	DESCRIPTION	MODEL	SIDE	PART No.	QTY.
2.500	REGULATOR – Voltage and current				
	REGULATOR ASSY.	4 Cyl. Eng.		3472406	1
	SCREW & LOCK WASHER	4 Cyl. Eng.		2909510	1
	REGULATOR ASSY.(Bosch)	6, 8 Cyl. Eng.		VS12381	1
	SCREW(Bosch)	6, 8 Cyl. Eng.		VS12377	2
	WASHER – Flat(Bosch)	6, 8 Cyl. Eng.		7406900	2
	WASHER – Lock(Bosch)	6, 8 Cyl. Eng.		7406323	2
	REGULATOR ASSY.(Lucas)	6, 8 Cyl. Eng.		VS12536	1
2.515	FACIA – Instrument				
	FACIA	UG, VBRIGHT HAND DRIVE		9928350	1
		LEFT HAND DRIVE		9929783	1
	FACIA	UH, VCRIGHT HAND DRIVE		9941403	1
		LEFT HAND DRIVE		9941404	1
	FACIA	VD		9941634	1
	NUT – 'U' type spring No. 8A	ALL		SP1734	6
	SCREW – Rd hd washer face cr recess tap No. 8 – 18 x .75" (black phos)	ALL		SP2450	2
	SCREW – Oval hd cr recess tap No. 8 – 18 x 1.75" (phos)	ALL		9426438	2
	SCREW – Rd hd washer face cr recess tap No. 8 – 18 x .62" (phos)	ALL		SP2111	2
	SCREW – Pan hd. cr recess tap No. 8 – 18 x .5" (cad or zinc)	ALL		9414712	2
	SCREW – Rd. hd. washer face, cr. recess tap type "AB" No. 10-16 x .75"	ALL		SP1884	2
	SCREW – Pan hd., cr. recess tap type "BT" No. 8-18 x ½"	ALL		273708	2
2.515	INSTRUMENT – Combined				
	INSTRUMENT ASSY. – Warning lamps (Kilos)	UG, VB, exc. clock		9941270	1
	INSTRUMENT ASSY. – Warning lamps (Kilos)	UH, VC		9941272	1
	INSTRUMENT ASSY. – Warning lamps (Kilos)	VB Sedan with clock		9941272	1
	INSTRUMENT ASSY. – Gauges (Kilos)	4 Cyl. Eng.		9941299	1
	INSTRUMENT ASSY. – Gauges (Kilos)	6, 8 Cyl. Eng.		9941271	1
	INSTRUMENT ASSY. – Gauges (Kilo/Miles)	4 Cyl. Eng.		9942114	1
	INSTRUMENT ASSY. – Warning lamps (Kilo/Miles) .	UG, VB		9942111	1
	INSTRUMENT ASSY. – Warning lamps (Kilo/Miles) .	UH, VC		9942113	1
	INSTRUMENT ASSY.	New Zealand Police		9941273	1
	SCREW – Pan hd cr recess tap No. 8 – 18 x .5" (cad)	ALL		273708	2
	SCREW – Oval head cr. recess tap No. 8 – 18 x 1¼"	ALL		9426438	2

TORANA "LX" PARTS CATALOGUE

2.515 COMPONENTS—Combined Instrument assembly					
DESCRIPTION INSTRUMENT ASSEMBLY	PART NUMBERS				
	9941270	9941271	9941272	9941273	9941299
BULB	9421330	9421330	9421330	9421330	9421330
CASE ASSY.	VS13496	VS13508	VS13496	VS13496	VS13508
CASE—Screening			VS13495		
CLOCK ASSY.			VS13504		
GAUGE ASSY.—Fuel	VS13501		VS13501	VS13501	
GAUGE ASSY.—Fuel & temperature		VS13510			VS13510
GAUGE ASSY.—Voltmeter & oil pressure		VS13511			VS13511
KNOB—Clock reset			VS12408		
LEAD—Clock			9932009		
BODY—Clock lead			2962448		
LENS—High beam indicator	VS13132	VS13132	VS13132	VS13132	VS13132
LENS—Trafficator	VS13133	VS13133	VS13133	VS13133	VS13133
LENS—Warning (Batt., Temp., Oil)	VS13497		VS13497	VS13497	
LENS—Warning (Fuel Economy)	VS13500		VS13500	VS13500	
LENS—Warning (Hand Brake)	VS13499		VS13499	VS13499	
MASK ASSY.	VS13505	VS13509	VS13502	VS13505	VS13509
MASK—Finished		VS13512			VS13512
NUT—Clock Knob			VS13062		
PLATE—Clock reset cover			VS12749		
REGULATOR—Voltage	VS12399	VS12399	VS12399	VS12399	VS12399
SCREW—Clock retaining			VS12748		
SCREW—Clock reset assy.			VS12750		
SHAFT—Clock reset			VS12747		
SHAFT—Clock reset lever			VS12744		
SOCKET—Bulb holder	2815952	2815952	2815952	2815952	2815952
SPEEDOMETER ASSY.	VS13503	VS13482	VS13503	VS13503	VS13482
SPRING—Clock reset gear shaft			VS12746		
TACHOMETER ASSY		VS13506			VS13507
WASHER—Clock reset gear shaft			VS12745		

TORANA "LX" PARTS CATALOGUE

GROUP	DESCRIPTION	MODEL	SIDE	PART No.	QTY.
2.515 FUEL ECONOMY LAMP					
LAMP PACKAGE	4 Cyl. Eng. Warning Lamps			9942165	1
LAMP PACKAGE	6, 8 Cyl. Eng. Warning Lamps			9942164	1
LEAD - Lamp	Warning Lamps			9942144	1
LEAD - Switch	Warning Lamps			9942046	1
SOCKET - Bulb holder	Warning Lamps			2815952	1
BULB	Warning Lamps			9421330	1
ADAPTOR - Lead to fuse panel	Warning Lamps			SP2643	1
TERMINAL - Lead	Warning Lamps			2824311	1
SWITCH ASSEMBLY	Warning Lamps			344856	1
SCREW - Switch to panel	Warning Lamps			9414722	1
HOSE - Vacuum	4 Cyl. Eng. Warning Lamps			9937673	1
HOSE - Vacuum	6 Cyl. Eng. Warning Lamps			9937678	1
2.520 LEAD - Tachometer					
LEAD ASSY.	6 Cyl. Eng.			9942104	1
LEAD ASSY.	4.2 Litre Eng.LEFT HAND DRIVE			9942104	1
LEAD ASSY.	8 Cyl. Eng.RIGHT HAND DRIVE			9942105	1
BODY - Single female lock connector	6, 8 Cyl. Eng.			2977253	1
" 3 WAY " " " " " " " " " " " "	" " " " " " " " " " " "			8905116	1
2.555 HARNESS - Engine					
HARNESS ASSY. - Warning lamps	4 Cyl. Eng.			9942103	1
HARNESS ASSY. - Gauges	4 Cyl. Eng.			9931011	1
LEAD - Generator ground	4 Cyl. Eng.			1280484	1
HARNESS ASSY.	6 Cyl. Eng. exc. Air Cond.			2825106	1
HARNESS ASSY.	6 Cyl. Eng. Air Cond.			9930998	1
HARNESS ASSY.	4.2 Litre Eng.LEFT HAND DRIVE			9930752	1
HARNESS ASSY.	8 Cyl. Eng.RIGHT HAND DRIVE			9928843	1
LEAD - Harness to generator	6 Cyl. Eng. Air Cond.			9937117	1
BODY - 2 way connector	4 Cyl. Eng.			3467364	1
BODY - 3 way female connector	4 Cyl. Eng.			8905116	1
BODY - Single female connector	4 Cyl. Eng.			2977253	1
BODY - Single panel connector (short)	4 Cyl. Eng.			2962448	1
BODY - Single female connector - Warning lamps ...	6 Cyl. Eng.			2977253	1
BODY - Single female terminal	6, 8 Cyl. Eng.			6294142	1
BODY - 6 way female connector	ALL			6288538	1
CLIP - Harness to clutch/converter housing	4 Cyl. Eng.			SP2423	1
CLIP - Harness to vacuum advance pipe	4 Cyl. Eng.			599119	2
CLIP - Harness to dash panel	4, 6 Cyl. Eng.			7413370	A.R.
CLIP - Harness to dash panel	4.2 Litre Eng.LEFT HAND DRIVE			7413370	4
CLIP - Harness to clutch/converter housing	6 Cyl. Eng.			SP2424	1
CLIP - Harness to starter motor	6 Cyl. Eng.			SP2423	1
CLIP - Harness to push rod cover	6 Cyl. Eng.			SP2422	1
CLIP - Harness to oil pan	6 Cyl. Eng.			SP2555	2
CLIP - Harness to valve rocker cover	6 Cyl. Eng.			7413031	2
CLIP - Harness to R.H. valve rocker cover	8 Cyl. Eng.			7413032	2
CLIP - Harness conduit to block	8 Cyl. Eng.			SP2512	1
CLIP - Harness to cylinder head	8 Cyl. Eng.			SP2423	1
CLIP - Harness to inlet manifold	8 Cyl. Eng.			SP2423	1
CLIP - Harness to dash panel flange		RIGHT HAND DRIVE		2818034	2
CLIP - Harness to valve rocker cover	ALL			7414620	A.R.
LINK - Fusible	ALL			7449910	1
2.555 HARNESS - Main wiring					
HARNESS ASSY.	(M)	RIGHT HAND DRIVE		9935971	1
		LEFT HAND DRIVE		9940723	1
HARNESS ASSY.	(A) 6, 8 Cyl. Eng.	RIGHT HAND DRIVE		9935972	1
		LEFT HAND DRIVE		9940724	1
BODY - Single panel connector (short) - Warning lamps	(M) 4, 6 Cyl. Eng.			2962448	8
BODY - Single panel connector (short) - Gauges	(M)			2962448	9
BODY - Single panel connector (short) - Warning lamps	(A) 4, 6 Cyl. Eng.	RIGHT HAND DRIVE		2962448	11

TORANA "LX" PARTS CATALOGUE

GROUP	DESCRIPTION	MODEL	SIDE	PART No.	QTY.
2.555	HARNES – Main wiring (contd.)				
	BODY – Single panel connector (short) – Warning lamps	(A) 6 Cyl. Eng.	LEFT HAND DRIVE	2962448	10
	BODY – Single panel connector (short) – Gauges	(A)	RIGHT HAND DRIVE	2962448	12
	BODY – Single panel connector (short) – Gauges	(A) 6, 8 Cyl. Eng.	LEFT HAND DRIVE	2962448	11
	BODY – Single male connector – Warning lamps	4 Cyl. Eng.		2984528	1
	BODY – Single male connector – Gauges	6, 8 Cyl. Eng.		2984528	2
	BODY – 3 way male connector – Warning lamps	6, 8 Cyl. Eng.		8905117	1
	BODY – 2 way female connector – Warning lamps	(M) 6, 8 Cyl. Eng.	LEFT HAND DRIVE	2962967	1
	BODY – 2 way female connector	(M)	RIGHT HAND DRIVE	2962967	1
	BODY – 2 way female connector	(A)	RIGHT HAND DRIVE	2962967	2
	BODY – Single female connector		LEFT HAND DRIVE	6294142	1
	BODY – Single female connector		RIGHT HAND DRIVE	SP2648	3
	BODY – 2 way female connector		RIGHT HAND DRIVE	2962551	1
	BODY – 2 way female connector	ALL		2962679	1
	BODY – 3 way female connector	ALL		8905116	1
	BODY – 3 way female connector	ALL		2962449	2
	BODY – 3 way female connector	ALL		2984164	1
	BODY – 6 way male connector	ALL		6288539	1
	BODY – 6 way female connector	ALL		6294643	1
	BODY – 6 way female connector	ALL		6288538	1
	BODY – 8 way female connector	ALL		2984169	1
	BODY – 11 way female connector	ALL		9928644	3
	BODY – Flasher connector	ALL		2962910	1
	BODY – Windshield washer switch connector	ALL		7434201	1
	GROMMET	ALL		2824585	1
	CONNECTOR – Single female		LEFT HAND DRIVE	6288440	1
	GROMMET – Connector		LEFT HAND DRIVE	2817008	1
	CLIP – Harness to fender skirt	ALL		SP2418	1
	CLIP – Harness to dash panel		RIGHT HAND DRIVE	7413031	1
	CLIP – Harness to plenum chamber		RIGHT HAND DRIVE	7413032	7
	CLIP – Harness to plenum chamber		RIGHT HAND DRIVE	7413031	1
	CLIP – Harness to dash panel		RIGHT HAND DRIVE	2818034	1
	CLIP – Harness to dash panel	6, 8 Cyl. Eng.		7413370	3
	CLIP – Harness to plenum chamber		LEFT HAND DRIVE	7413031	4
	CLIP – Brake pressure switch lead to brake pipe	ALL		SP2225	1-2
	SCREW – Harness to instrument panel earth	ALL		9414713	1
	WASHER – Harness to instrument panel earth	ALL		121752	1
2.555	HARNES – Instrument				
	HARNES ASSY. – Warning lamps	ALL		9942045	1
	HARNES ASSY. – Gauges	ALL		9930997	1
	SOCKET – Bulb holder – Warning lamps	ALL		2815952	11
	SOCKET – Bulb holder – Gauges	ALL		2815952	9
	BODY – Single panel connector (short)	ALL		2962448	2
	BODY – Single panel connector (short) – Gauges	ALL		2962448	1
	BODY – Single button contact connector	ALL		2962965	1
	BODY – 11 way male connector	ALL		9928643	1
2.555	HARNES – Lighting				
	HARNES ASSY.		RIGHT HAND DRIVE	9941696	1
			LEFT HAND DRIVE	9931787	1
	SOCKET – Bulb holder	ALL		2815952	2
	BODY – Headlamp connector	ALL		2824076	2
	BODY – Single panel connector (short)	ALL		2962448	3
	BODY – Single female connector		RIGHT HAND DRIVE	SP2648	2
	BODY – 2 way female connector	ALL		2962551	1
	BODY – 3 way female connector	ALL		2962449	1
	BODY – 3 way male connector	ALL		8905117	1
	BODY – 6 way male connector	ALL		6288539	1
	CLIP – Harness to radiator support panel	ALL		7413370	4
	CLIP – Harness to fender skirt	ALL		SP2418	A.R.

TORANA "LX" PARTS CATALOGUE

GROUP	DESCRIPTION	MODEL	SIDE	PART No.	QTY.
2.585	BULB - Parking lamp				
	BULB - 12-16V, 2 C.P.	ALL		9421330	2
2.586	BODY and CABLE - Turn signal lamp				
	BODY & CABLE ASSY.	ALL		9928578	2
	NUT - No. 10 - 24 "U" Type	ALL		SP2436	4
	BOLT - Turn signal lamp attaching	ALL		159920	4
	BODY - Male connector	ALL		2962984	2
	GROMMET - Cable thru radiator support	ALL		SP1099	2
	SPRING - Lamp socket	ALL		7402293	2
	BULB - 12-16V, 32 C.P.	ALL		9417866	2
2.589	LENS - Turn signal lamp				
	LENS	ALL		9928582	2
	SCREW - Lens to lamp body	ALL		SP2435	2
2.590	GASKET - Turn signal lamp				
	GASKET	ALL		9928583	2
2.679	LAMP, BASE, BULB - Tail, stop and turn signal				
	LAMP ASSY.	UG, UH, VB exc. G Pak		(64) 9941391	2
	LAMP ASSY.	VC		(64) 9941391	2
	LAMP ASSY.	VD, G Pak		9941340	2
	LAMP ASSY. - White back-up lens (Optional export only)	UG, UH, VB, VC		2824015	2
	LAMP ASSY. - White back-up lens (Optional export only)	VD		9934643	2
	BASE ASSY.	ALL		9941475	2
	BASE ASSY. - White back-up lens (Optional export only)	ALL		2824016	2
	NUT - Lamp assy. to body	ALL		SP1900	8
	BULB - Stop and tail 12-16V, 32-4 c.p.	ALL		9417867	2
	BULB - Turn signal and back-up 12-16V, 32 c.p.	ALL		9417866	2
	<i>LAMP ASSY</i>	<i>VC UG UH VB EXL GPAK</i>		<i>63 (1) 2822976</i>	<i>2</i>
2.682	LENS - Tail, stop and turn signal lamp				
	LENS ASSY.	UG, UH, VB exc. G Pak		2822978	2
	LENS ASSY.	VC		2822978	2
	LENS ASSY.	VD, G Pak		9934640	2
	LENS ASSY. - White back-up lens (Optional export only)	UG, UH, VB, VC		2824017	2
	LENS ASSY. - White back-up lens (Optional export only)	VD		9934641	2
	SCREW - Lens to base	ALL		SP2394	10
	NUT - Lens to base screw	ALL		SP2392	10
2.684	GASKET - Tail, stop and turn signal lamp				
	GASKET - Lamp to body	ALL		2822979	2
2.697	SWITCH - Back-up lamp				
	(Refer group 4.054 for automatic trans. switch assy.)				
	SWITCH ASSY.	(M) 4 Speed Trans. 4 Cyl. Eng. exc. Torquemaster Trans.		2815271	1
	SWITCH ASSY.	(M) 4 Speed Trans. 4 Cyl. Eng. Torquemaster Trans.		8968032	1
	LEAD - Switch to main wiring harness	(M) 4 Speed Trans., 4 Cyl. Eng. Torquemaster Trans.		9936584	1
	SWITCH ASSY.	(M) 3 Speed Trans.		7434465	1
	SCREW - Switch to steering column jacket	(M) 3 Speed Trans.		455404	1
	WASHER - Switch to steering column jacket	(M) 3 Speed Trans.		120391	1
	SWITCH ASSY.	(M) 4 Speed Trans. 6, 8 Cyl. Eng.		2815271	1
	BODY - Lead	(M) 4 Speed Trans.		2973431	1

CHASSIS (63) LAMP WITH METAL BASE
(64) " " PLASTIC "

TORANA "LX" PARTS CATALOGUE

GROUP	DESCRIPTION	MODEL	SIDE	PART No.	QTY.
2.700	LAMP and LEAD – Rear licence plate				
	LAMP & LEAD ASSY.	ALL		2824653	1
	SOCKET – Bulb holder	ALL		5297797	1
	SPRING – Lamp socket	ALL		2962243	1
	BULB – 12V 6 Watt	ALL		SP1467	1
	GROMMET – Lamp lead, .58" dia.	ALL		SP2059	1
	GROMMET – Lamp lead	ALL		7418703	1
	BOLT – Lamp & lead to bumper bar	Exc. VD Hatchback		9933519	2
	BOLT – Lamp & lead to bumper bar	VD Hatchback		159616	2
	WASHER – Lamp and lead to bumper bar	ALL		121752	2
	NUT – Lamp & lead to bumper bar	ALL		120622	2
2.706	BEZEL – Licence plate lamp				
	BEZEL	Exc. VD Hatchback		7439633	1
	BEZEL	VD Hatchback		9942218	1
2.709	LENS – Licence plate lamp				
	LENS	ALL		7439643	1
	<i>2.725 HILAMP PACKAGE QUARTZ HOLOGEN ALL</i>			<i>9942781</i>	<i>2</i>
2.726	RING – Headlamp mounting				
	RING	ALL		7447111	2
2.727	SEALED BEAM UNIT – Headlamp				
	SEALED BEAM UNIT	UG, VB	RIGHT HAND DRIVE	2823661	2
	SEALED BEAM UNIT	UG, UH, VB, VC	LEFT HAND DRIVE	9931938	2
	SEALED BEAM UNIT	UH, VC	RIGHT HAND DRIVE	9932805	2
	SEALED BEAM UNIT	VD Sedan		9932805	2
	SEALED BEAM UNIT – Quartz halogen		RIGHT HAND DRIVE	9942969	2
2.728	RIM – Headlamp				
	RIM	ALL		2824785	2
	SCREW – Rd. hd. washer face cr. recess tap No. 8 – 18 x .62"	ALL		SP2370	6
	NUT – Upper	ALL		SP1733	4
	NUT – Lower	ALL		SP2215	2
2.729	NUT – Headlamp adjusting				
	NUT	ALL		7432889	4
2.731	RING - Headlamp retaining				
	RING	ALL		9937561	2
	SCREW – Retaining ring to mounting ring	ALL		SP1867	6
2.737	SCREW – Headlamp adjusting				
	SCREW	ALL		7432888	4
2.737	SPRING – Light unit retaining				
	SPRING	ALL		7448437	2
2.810	HORN				
	HORN ASSY. – Low note (R.V.B.)	ALL		9941195	1
	HORN ASSY. – High note (R.V.B.)	ALL		2825509	1
	HORN ASSY. – High note package (R.V.B.)	UG, UH, VB		2825886	1
	SCREW & WASHER ASSY. – Horn to radiator panel	ALL		SP2518	1-2
	WASHER – Horn to radiator panel	ALL		138485	1
	LEAD ASSY. – Low note horn to high note horn jumper	ALL		9931729	1
	BODY – Single panel – Connector (short)	ALL		2962448	2
	BODY – Male connector	ALL		2962984	1

TORANA "LX" PARTS CATALOGUE

GROUP	DESCRIPTION	MODEL	SIDE	PART No.	QTY.
2.815 RELAY – Horn	RELAY	ALL		9928351	1
	SCREW – Relay to LH fender skirt	ALL		SP2144	1
	WASHER – Relay to LH fender skirt	ALL		121753	1
2.819 SCREW – Horn contact adjusting	SCREW	Sports Steering Wheel		2822614	2
	NUT – Contact to horn button adaptor	Sports Steering Wheel		120622	2
2.820 BUTTON and EMBLEM – Horn	BUTTON & EMBLEM ASSY.	Sports Steering Wheel		9931400	1
	SCREW – Button & emblem to adaptor	Sports Steering Wheel		SP2249	6
2.822 SUPPORT and RING – Horn contact	SUPPORT & RING ASSY.	Standard Steering Wheel			
		RIGHT HAND DRIVE		2825388	1
		LEFT HAND DRIVE		2825404	1
	SUPPORT & RING ASSY.	Sports Steering Wheel		2816312	1
	SCREW – Support & ring assy. to steering wheel	ALL		SP1768	2
2.824 ADAPTOR – Horn button	ADAPTOR	Sports Steering Wheel		2816892	1
	SCREW – Adaptor to steering wheel	Sports Steering Wheel		7424198	4
	SPRING – Adaptor to steering wheel	Sports Steering Wheel		7449079	4
2.830 BAR – Horn actuating	BAR – Black	UG, VB Standard Steering Wheel		9938406CY	1
	BAR – Black	UH, VC Standard Steering Wheel		9941401CY	1
	BAR – Tan	UH, VC Standard Steering Wheel		9941401DX	1
	BAR – Covert	UH, VC Standard Steering Wheel		9941401DY	1
	SCREW – Horn bar to steering wheel	Standard Steering Wheel		9426378	2
	LEAD ASSY. – Horn bar earth	Standard Steering Wheel		2825523	1
	BODY – Single panel connector (Short)	Standard Steering Wheel		2962448	1
	<i>BAR DARK SIENNA</i>	UH VC STD STEERING WHEEL		<i>9941401EK</i>	<i>1</i>
2.892 FLASHER – Turn signal	FLASHER ASSY.	ALL		7436254	1
	CLIP – Flasher to steering column brace	ALL		7417478	1
2.893 BULB – Turn signal indicator	BULB – 12-16V, 2 c.p.	ALL		9421330	2
2.895 SWITCH – Turn signal lamp	SWITCH ASSY.	LEFT HAND DRIVE		2824906	1
	SPRING – Switch	LEFT HAND DRIVE		1967685	1
	SPRING – Switch detent	LEFT HAND DRIVE		1846722	1
	SPRING – Switch cancel	LEFT HAND DRIVE	LH	1964785	1
			RH	1964784	1
	BODY – 11 way male connector	LEFT HAND DRIVE		9928643	1
	SCREW – Switch to housing	LEFT HAND DRIVE		SP1768	3
	CLIP – Switch harness to ignition switch screw	LEFT HAND DRIVE		SP2341	1
2.895 RELAY, SWITCH – Dimmer and Turn signal Indicator	RELAY ASSY – Dimmer switch	RIGHT HAND DRIVE		9941339	1
	SCREW ASSY – Relay to fender skirt	RIGHT HAND DRIVE		SP2144	1
	SWITCH ASSY. <i>with lever</i>	RIGHT HAND DRIVE		<i>9941338</i>	<i>1</i>
	without lever			9941338	1
2.897 LEVER, KNOB – Turn signal lamp switch	LEVER	LEFT HAND DRIVE		9928812	1
	SCREW – Lever to turn signal switch	LEFT HAND DRIVE		9413586	1
	KNOB – Black	ALL		2814702BA	1
	KNOB – Tan	UH, VC		2814702DX	1
	KNOB – Covert	UH, VC		2814702DY	1

CHASSIS

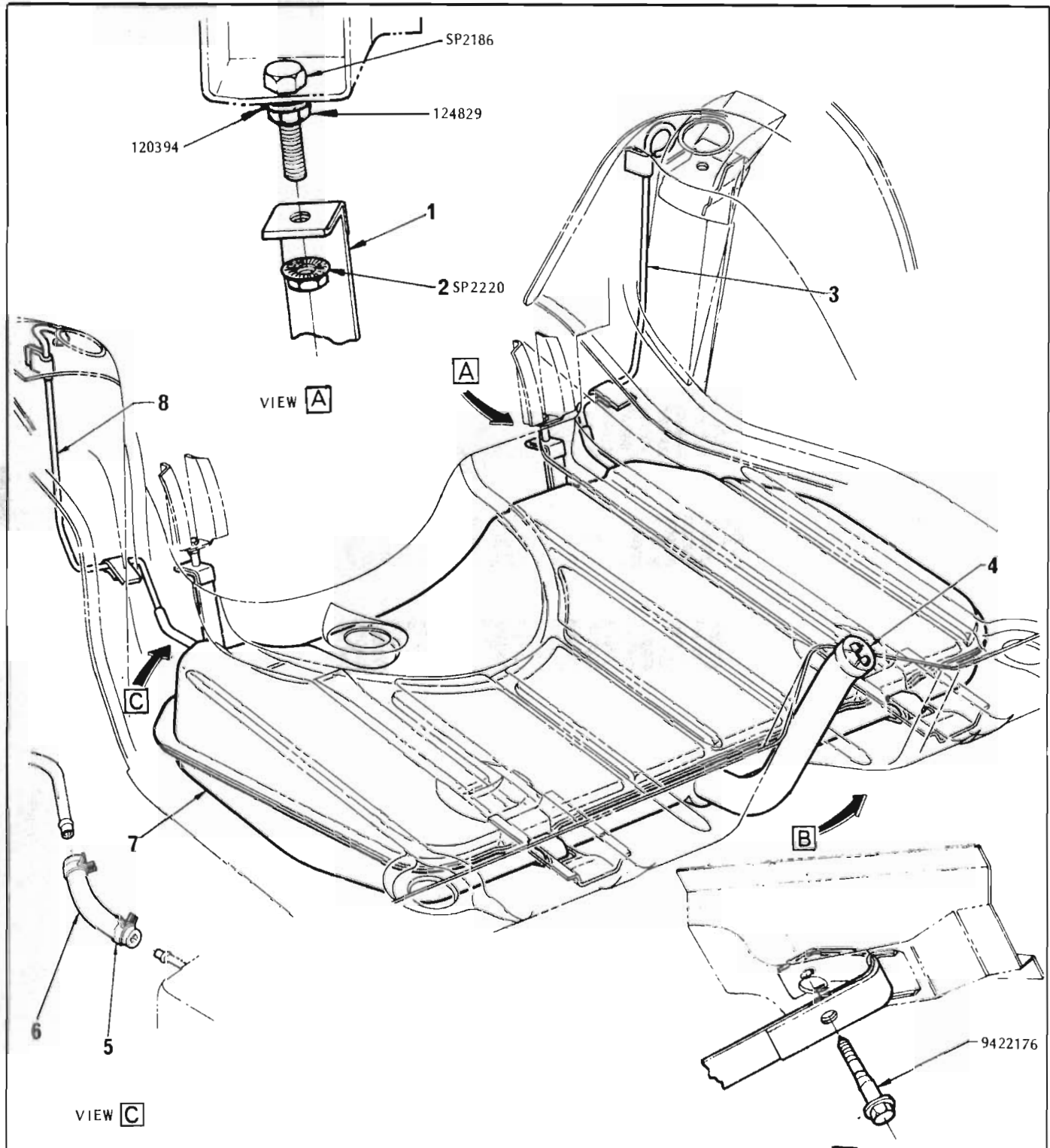
168

KNOB - DARK SIENNA

UH VC

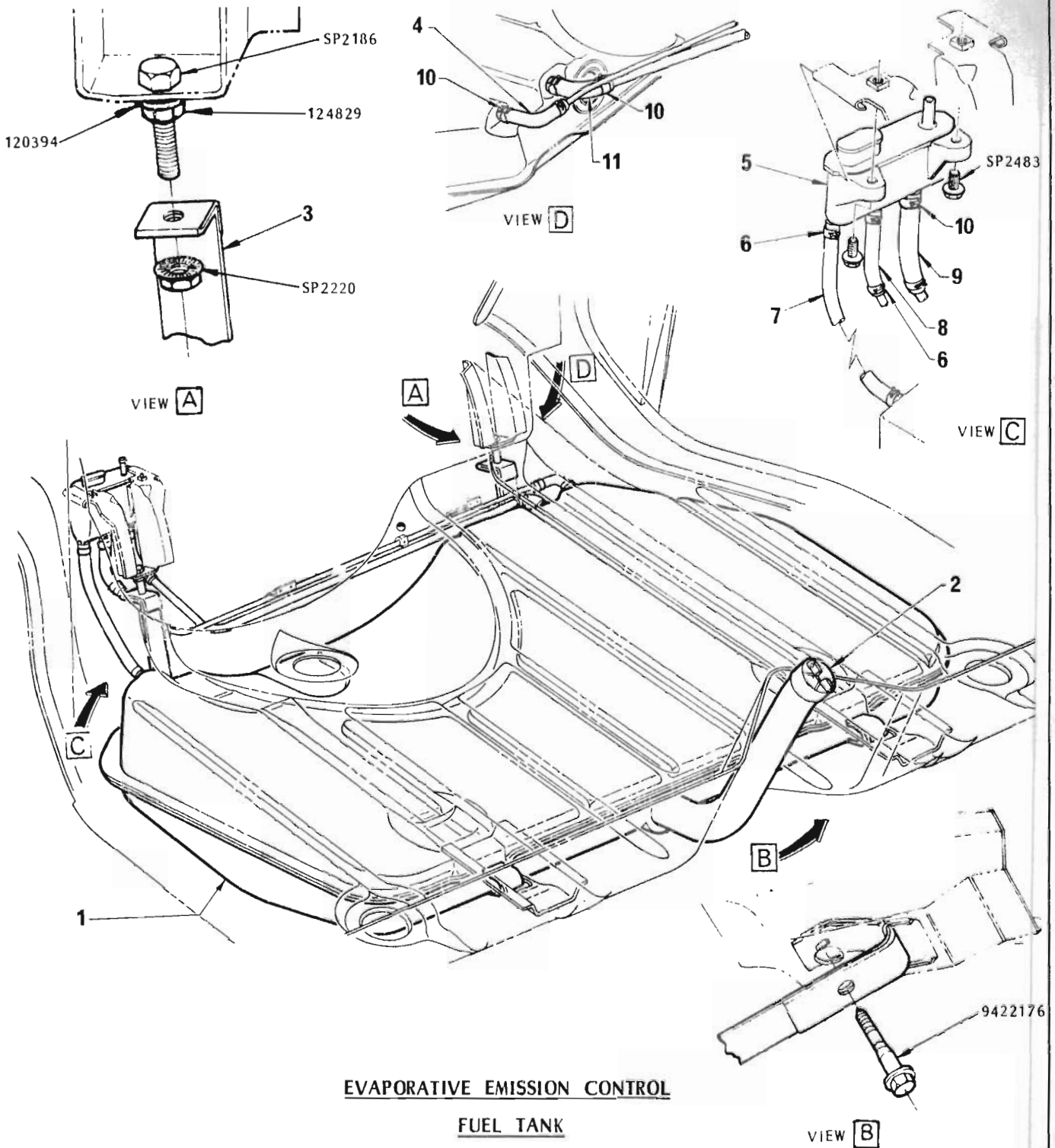
2814702EK

GROUP 3.000
FUEL – EXHAUST
CARBURETTOR



FUEL TANK
 USED WITHOUT EVAPORATIVE EMISSION CONTROL - EXPORT

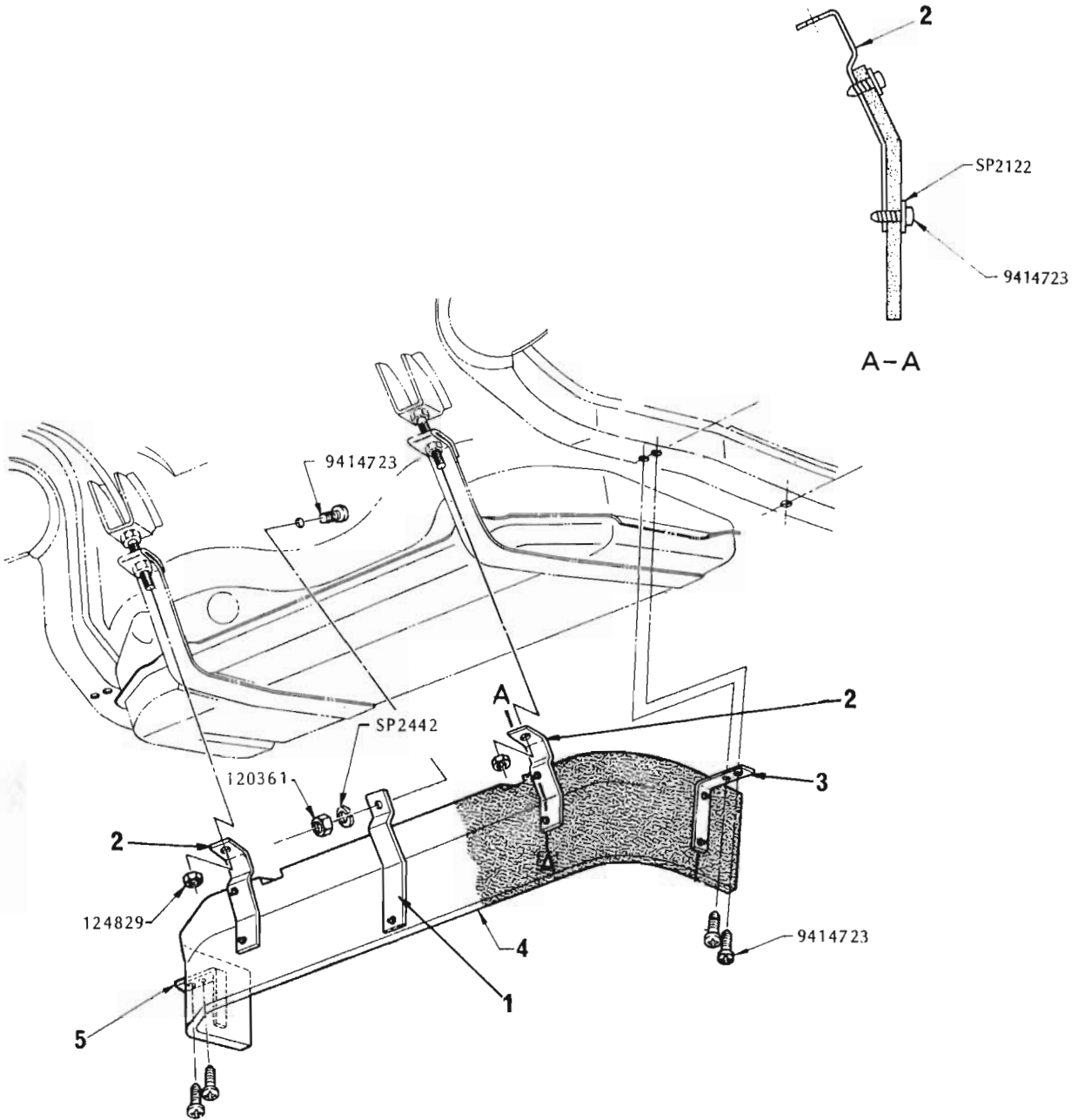
ILLUS. REF. NO.	PART NAME	GROUP	ILLUS. REF. NO.	PART NAME	GROUP
1.	STRAP - Tank support	3.001	5.	CLAMP - Hose	3.003
2.	NUT - Strap to front mounting	3.001	6.	HOSE - Vent pipe	3.003
3.	PIPE - Vent upper, RH	3.003	7.	TANK ASSEMBLY	3.001
4.	CAP ASSEMBLY - Fuel tank filler	3.028	8.	PIPE - Vent upper, LH	3.003



EVAPORATIVE EMISSION CONTROL

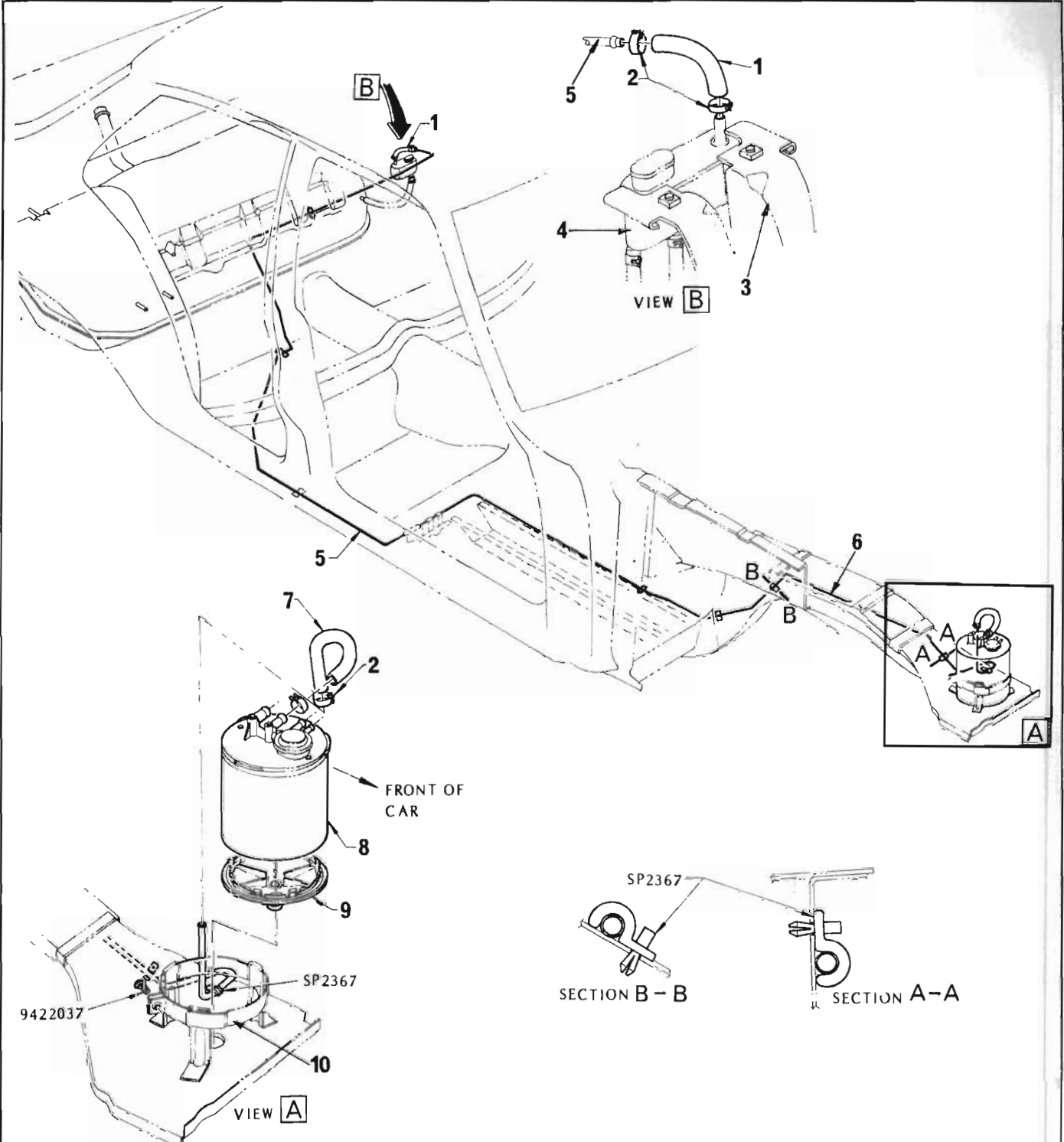
FUEL TANK

ILLUS. REF. NO.	PART NAME	GROUP	ILLUS. REF. NO.	PART NAME	GROUP
1.	TANK ASSY.	3.001	7.	HOSE - Separator to LH front pipe	3.120
2.	CAP ASSY. - Fuel tank filler	3.028	8.	HOSE - Separator to RH front pipe	3.120
3.	STRAP - Tank support	3.001	9.	HOSE - Separator to RH rear pipe	3.120
4.	CLAMP - Hose to pipe & fuel tank	3.120	10.	CLAMP - Hose to pipe	3.120
5.	SEPARATOR - Fuel	3.120	11.	HOSE - Pipe RH rear to fuel tank	3.120
6.	CLAMP - Hose to separator & fuel tank ..	3.120			



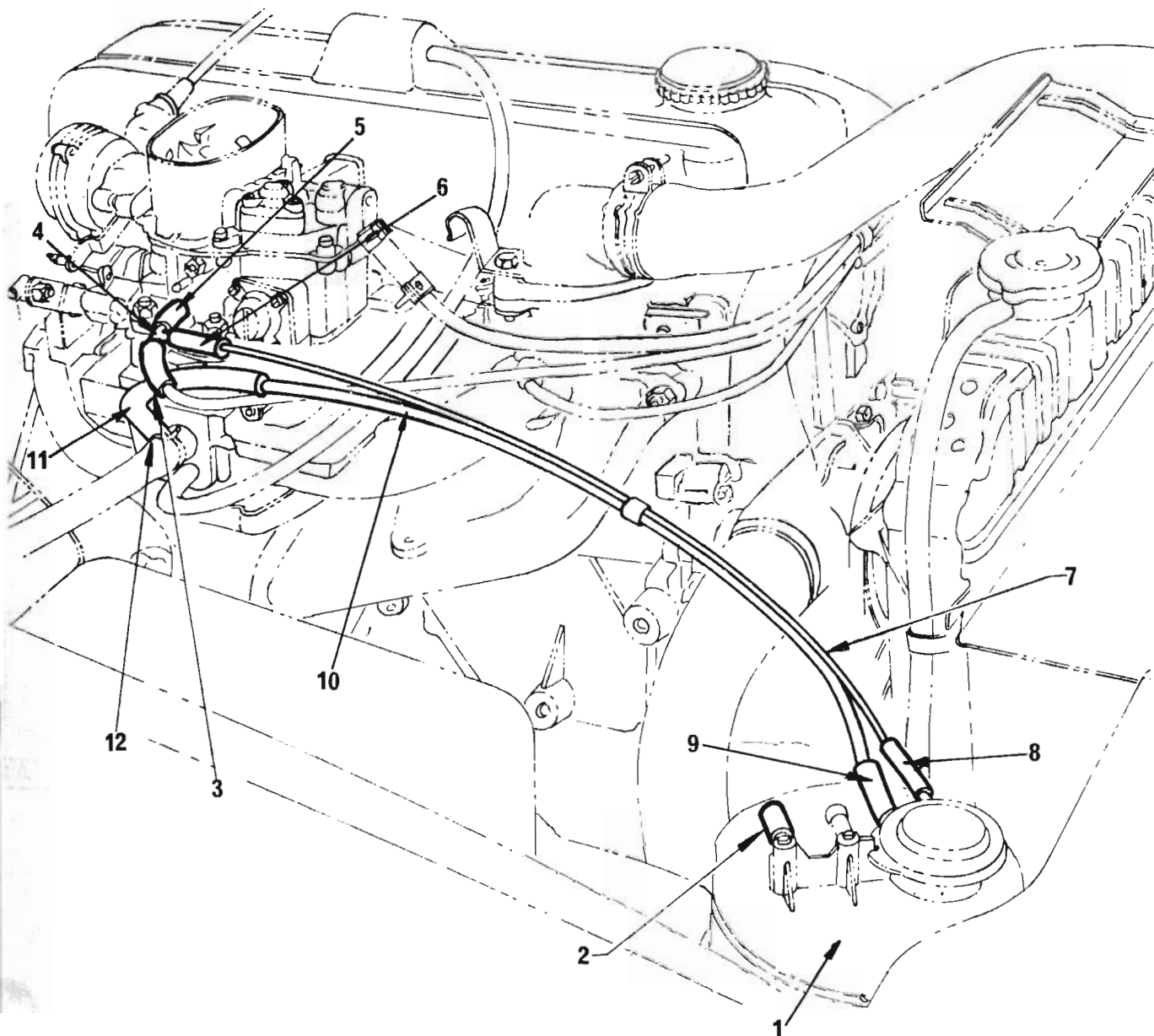
FUEL TANK STONE GUARD

ILLUS. REF. NO.	PART NO.	GROUP
1.	BRACKET - Stone guard front centre	3.001
2.	BRACKET - Stone guard front	3.001
3.	BRACKET - Stone guard LH	3.001
4.	GUARD - Stone	3.001
5.	BRACKET - Stone guard RH	3.001



**EVAPORATIVE EMISSION CONTROL
PIPES and HOSES**

ILLUS. REF. NO.	PART NAME	GROUP	ILLUS. REF. NO.	PART NAME	GROUP
1.	HOSE - Separator to pipe	3.120	6.	PIPE - Separator to canister - Front	3.120
2.	CLAMP - Hose to pipe - 9/16"	3.120	7.	HOSE - Pipe to canister	3.120
3.	BRACKET - Fuel tank & separator	3.001	8.	CANISTER	3.130
4.	SEPARATOR ASSEMBLY	3.120	9.	CAP - Canister drain	3.130
5.	PIPE - Separator to canister - Rear	3.120	10.	SUPPORT - Canister	3.130



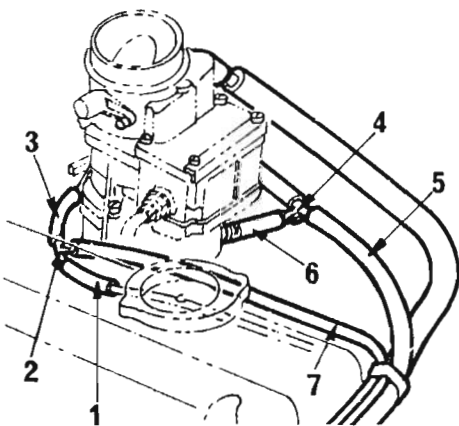
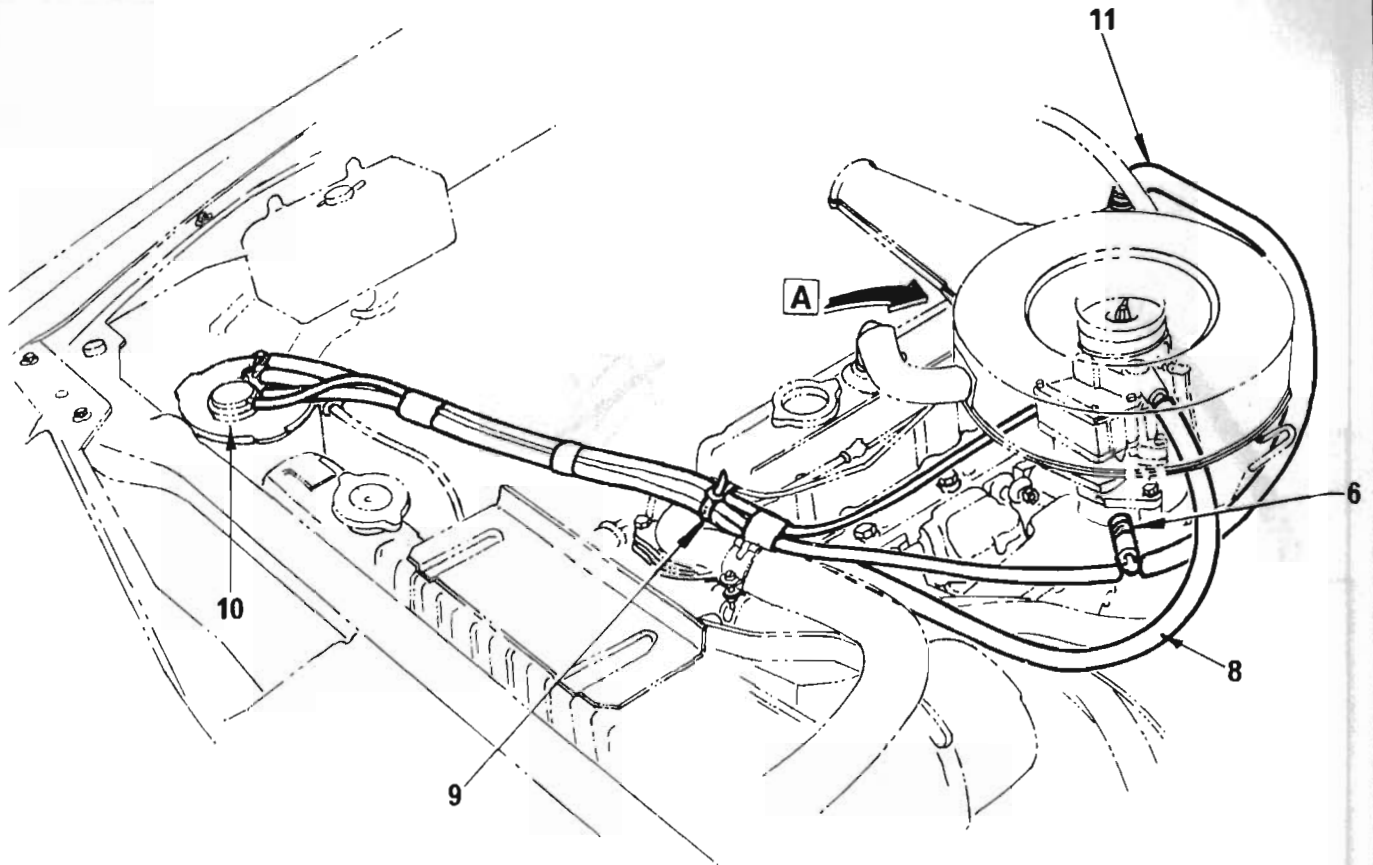
EVAPORATIVE EMISSION CONTROL

HOSES

4 Cylinder Engine

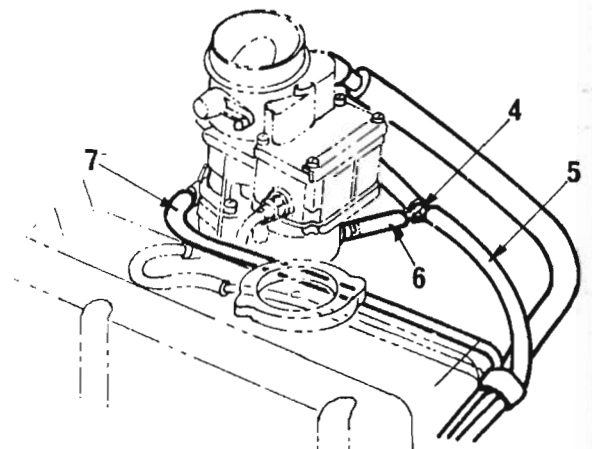
ILLUS. REF. NO.	PART NAME	GROUP
1.	CANISTER	3.130
2.	CAP - Canister sealing ..	3.130
3.	HOSE - Vacuum tee to spark control pipe	3.120
4.	TEE - Ported vacuum	3.120
5.	HOSE - Vacuum tee to carburettor	3.120
6. A)	HOSE - Canister tube to tee	N.S.S.
7. A)	TUBE - Canister to vacuum tee	N.S.S.
8. A)	HOSE - Canister tube to canister	N.S.S.
9. A)	HOSE - Purge tube to canister	N.S.S.
10. A)	TUBE - Canister purge	N.S.S.
11. A)	HOSE - Purge tube to adaptor	N.S.S.

NOTE: A) N.S.S. Items are part of Hose Harness - Refer Group 3.120



MANUAL TRANS.

VIEW **A**

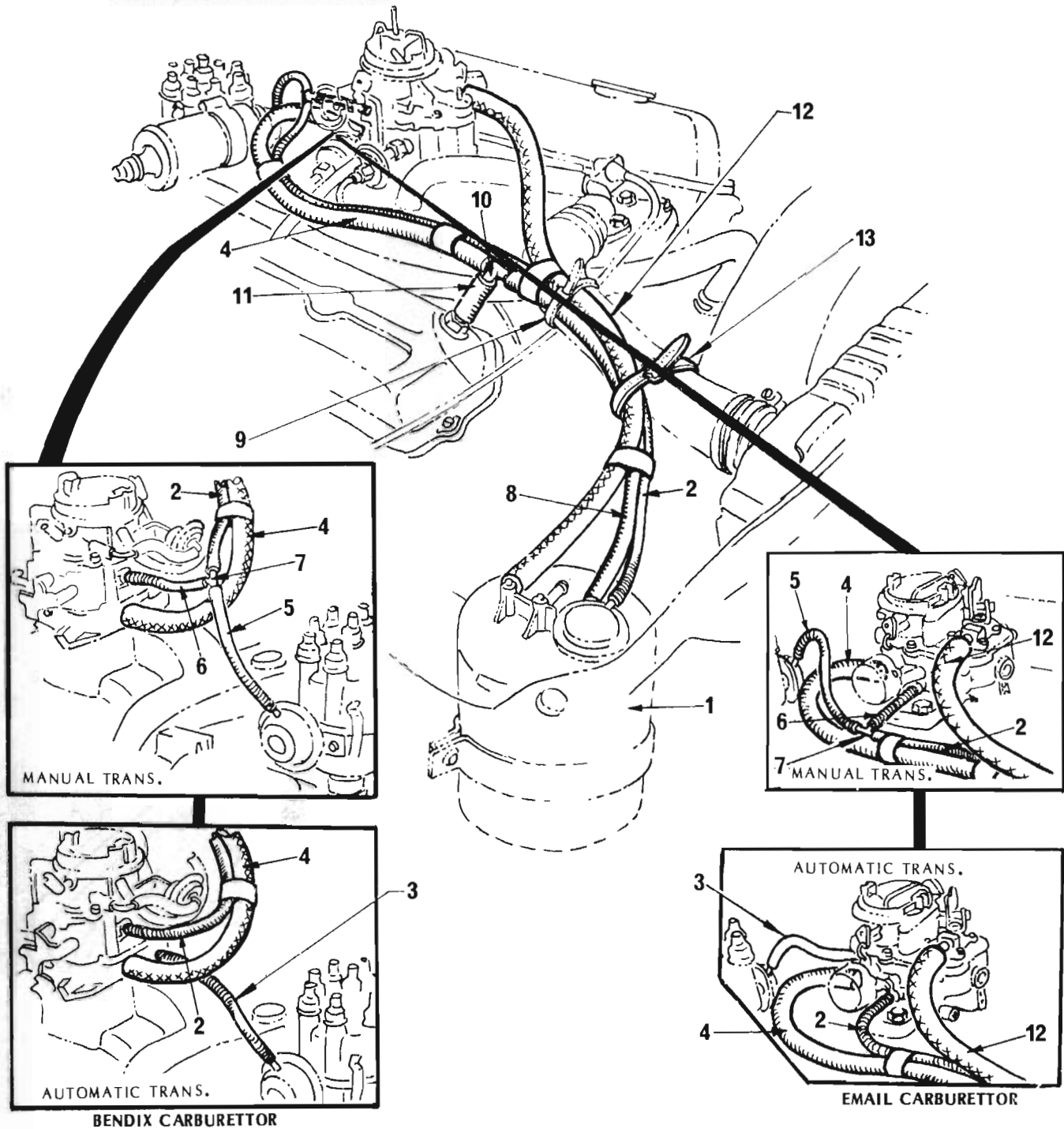


AUTOMATIC TRANS.

**EVAPORATIVE EMISSION CONTROL
HOSES
6 Cylinder Engine**

ILLUS. REF. NO.	PART NAME	GROUP	ILLUS. REF. NO.	PART NAME	GROUP
1.	HOSE - Vacuum tee to distributor	3.120	7, A)	HOSE - Canister to vacuum	N. S. S.
2.	TEE - Ported vacuum	3.120	8, A)	HOSE - Canister to carburettor bowl	N. S. S.
3.	HOSE - Vacuum tee to carburettor	3.120	9.	STRAP - Hoses	3.120
4.	TEE - P.C.V.	3.120	10.	CANISTER	3.130
5, A)	HOSE - Canister to P.C.V. tee	N. S. S.	11.	HOSES - P.C.V. tee to valve	3.120
6.	HOSE - P.C.V. tee to manifold	3.120			

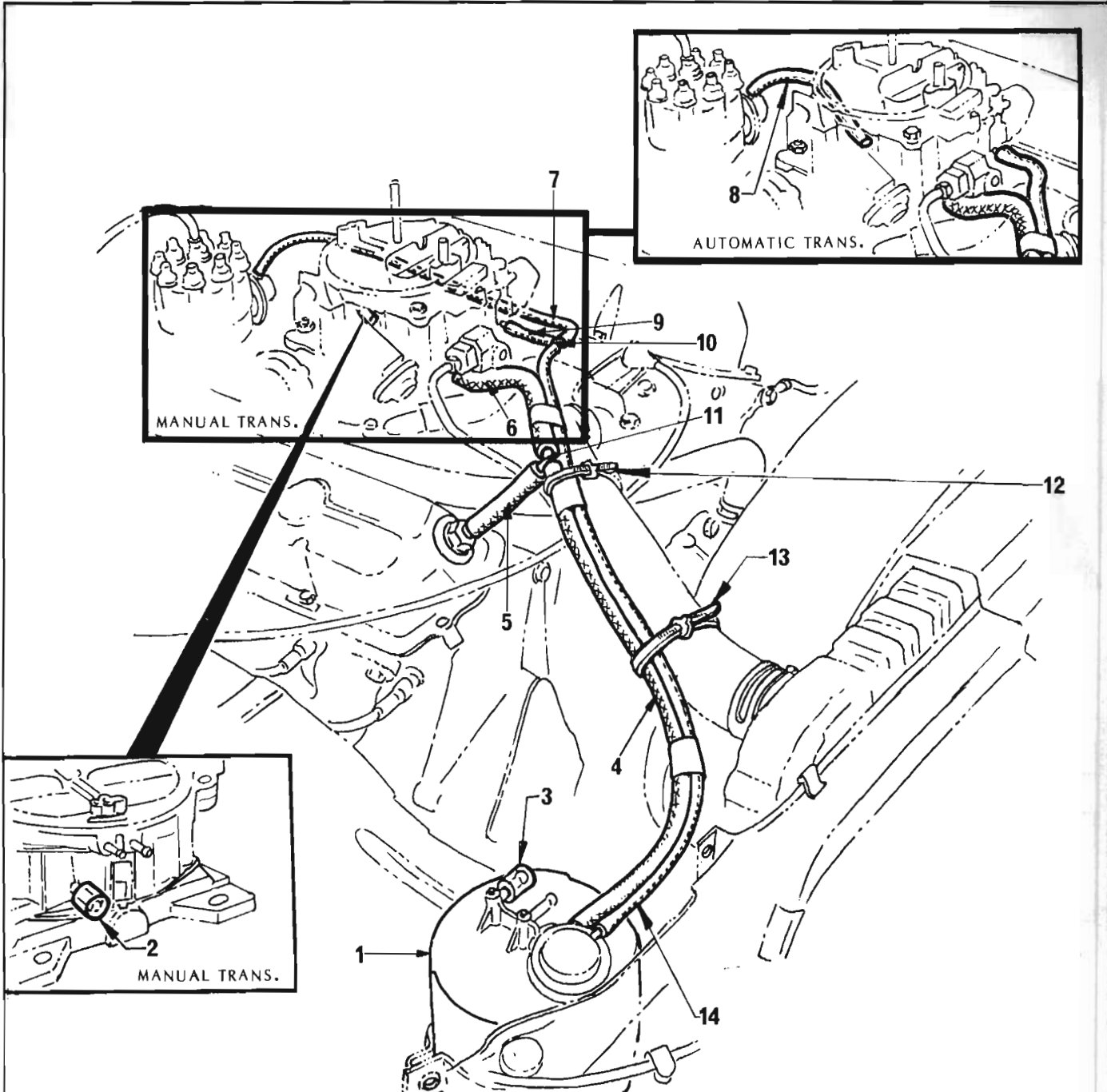
NOTE: A) N.S.S. Items are part of Hose Harness - Refer Group 3.120



**EVAPORATIVE EMISSION CONTROL
HOSES
4.2 Litre Engine**

ILLUS. REF. NO.	PART NAME	GROUP	ILLUS. REF. NO.	PART NAME	GROUP
1.	CANISTER	3.130	8. A)	HOSE - Canister to P.C.V. tee	N.S.S.
2. A)	HOSE - Canister to carb./posted vac. tee	N.S.S.	9.	STRAP - Hoses to radiator hose - 12.018''	3.120
3.	HOSE - Spark control	2.424	10.	TEE - P.C.V.	3.120
4.	HOSE - P.C.V. tee to carburettor	3.120	11.	HOSE - P.C.V. to tee	3.120
5.	HOSE - Vacuum tee to distributor	3.120	12. A)	HOSE - Canister to carburettor bowl vent.. ..	N.S.S.
6.	HOSE - Vacuum tee to carburettor	3.120	13.	STRAP - Hoses to radiator hose - 8.50'' ..	3.120
7.	TEE - Ported vacuum	3.120			

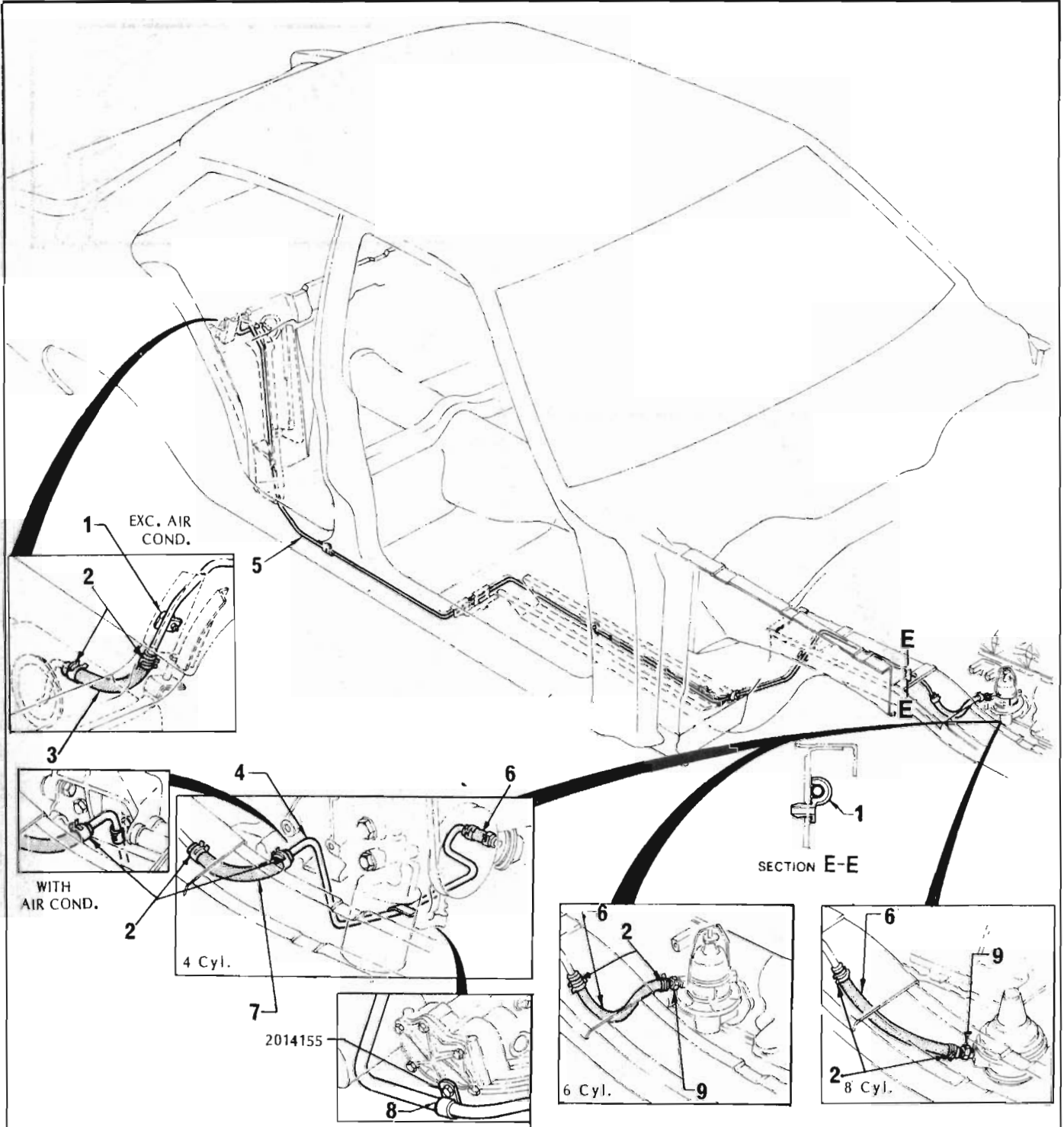
NOTE: A) N.S.S. Items are part of Hose Harness - Refer Group 3.120



**EVAPORATIVE EMISSION CONTROL
HOSES
5 Litre Engine**

ILLUS. REF. NO.	PART NAME	GROUP	ILLUS. REF. NO.	PART NAME	GROUP
1.	CANISTER	3.120	8.	HOSE - Spark control	2.424
2.	CAP - Carburettor vacuum port	3.748	9.	HOSE - Vacuum tee to carburettor	3.120
3.	CAP - Canister sealing	3.130	10.	TEE - Ported vacuum	3.120
4. A)	HOSE - Canister to P.C.V. tee	N.S.S.	11.	TEE - P.C.V.	3.120
5.	HOSE - P.C.V. to tee	3.120	12.	STRAP - Hoses to top rad.hose - 12.018"	3.120
6.	HOSE - P.C.V. tee to carburettor	3.120	13.	STRAP - Hoses to top rad.hose - 8.50"	3.120
7.	HOSE - Vacuum tee to distributor	3.120	14. A)	HOSE - Canister to ported vac. tee	N.S.S.

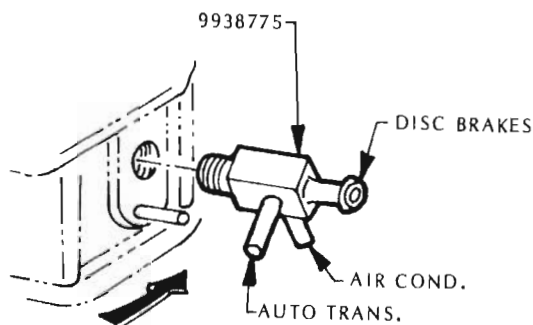
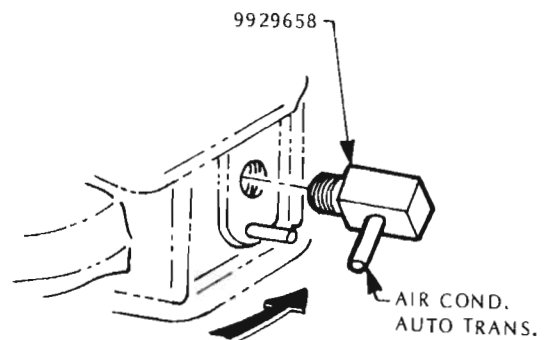
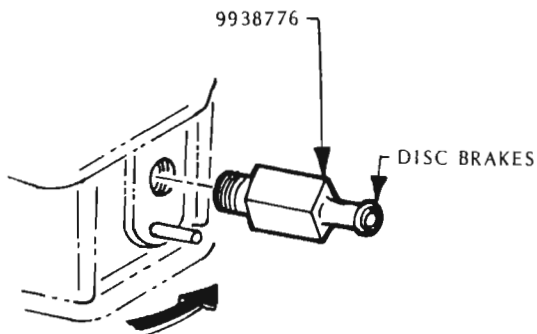
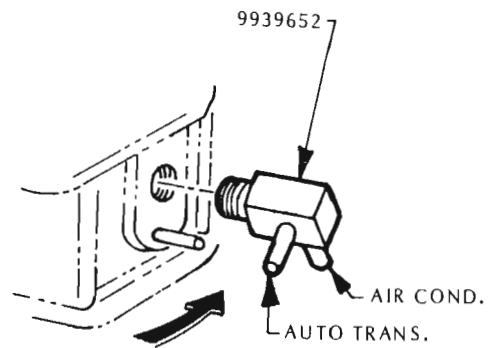
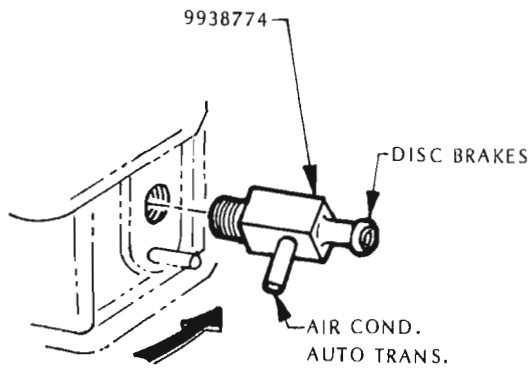
NOTE: A) N.S.S. Items are part of Hose Harness - Refer Group 3.120



FUEL LINES

ILLUS. REF. NO.	PART NAME	GROUP	ILLUS. REF. NO.	PART NAME	GROUP
1.	CLIP - Fuel pipe	3.158	6.	HOSE - Fuel pipe to pump	3.163
2.	CLAMP - Hose	3.163	7.	HOSE - Fuel pipe to auxiliary fuel pipe	3.163
3.	HOSE - Fuel pipe to tank	3.163	8.	CLIP - Fuel pipe to oil pump	3.202
4.	PIPE - Fuel auxiliary	3.158	9.	CONNECTOR - Fuel hose to pump	3.163
5.	PIPE - Fuel tank to pump	3.158			

RESERVED FOR ILLUSTRATION

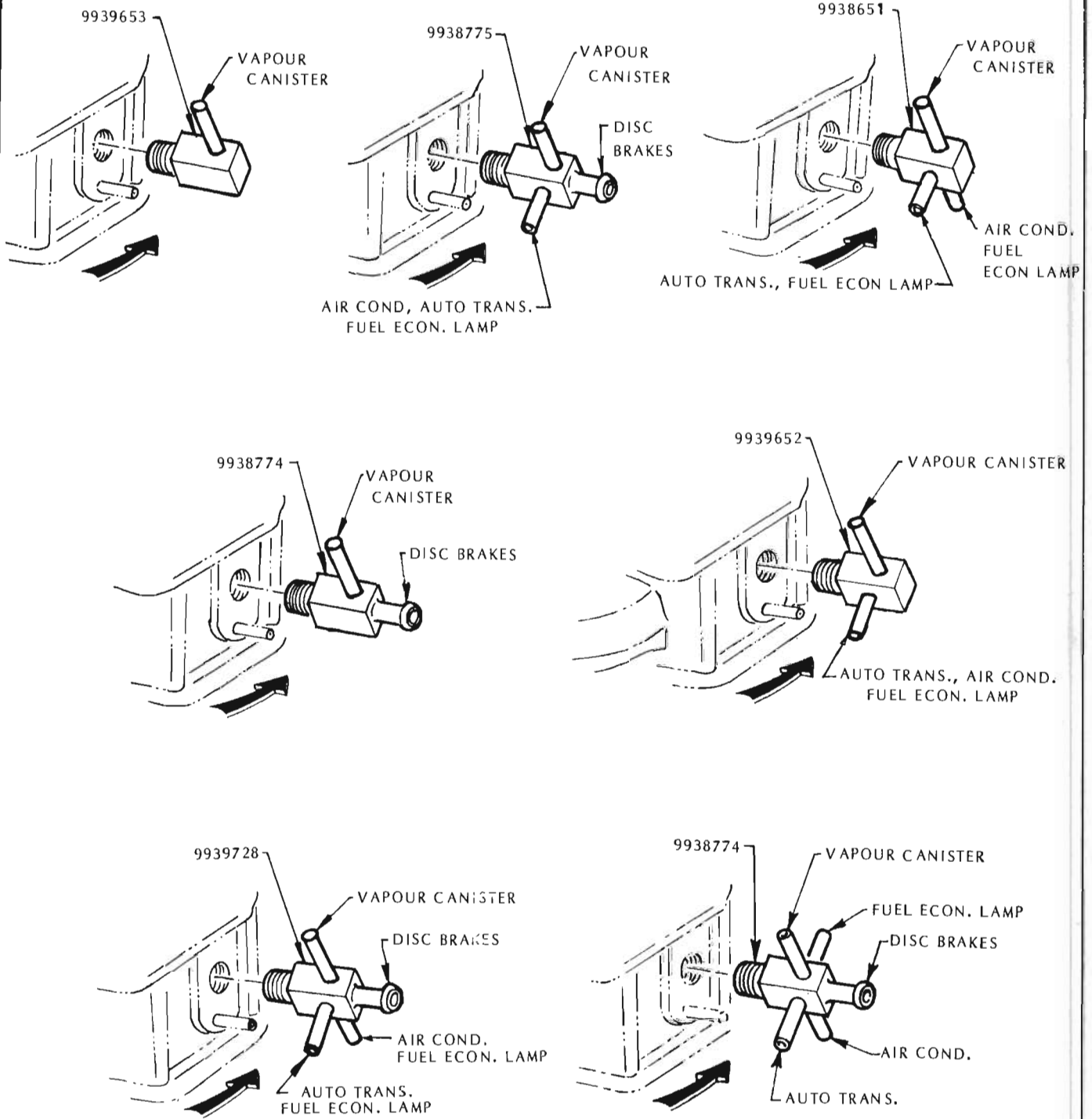


ARROWS INDICATE ALIGNMENT OF FITTINGS TO FRONT OF ENGINE.

VACUUM ADAPTORS

4 Cylinder Engine
Refer Group 3.265

USED WITHOUT EVAPORATIVE EMISSION CONTROL



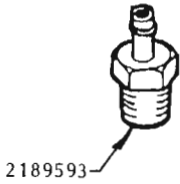
ARROWS INDICATE ALIGNMENT OF FITTINGS TO FRONT OF ENGINE.

VACUUM ADAPTORS

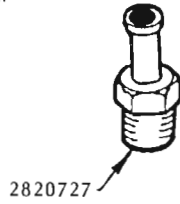
4 Cylinder Engine
Refer Group 3.265

USED WITH EVAPORATIVE EMISSION CONTROL

AUTO TRANS, AIR COND & FUEL ECON. LAMP

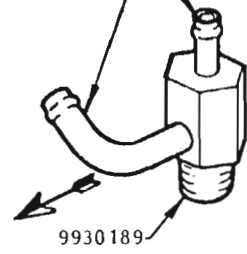


DISC BRAKES



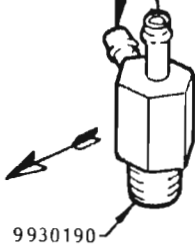
FUEL ECON LAMP
AUTO TRANS. & AIR COND.

DISC BRAKES



FUEL ECON. LAMP
AUTO TRANS.

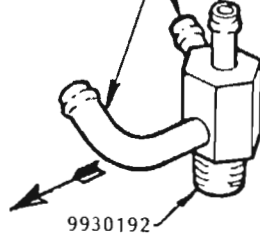
AIR COND.



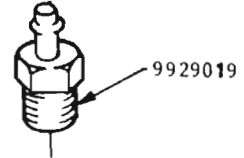
AIR COND.
FUEL ECON. LAMP

AIR COND.

DISC BRAKES

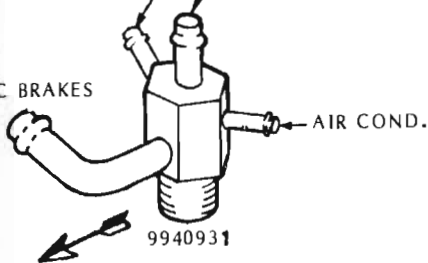


REAR COMP. DECK LID LOCK



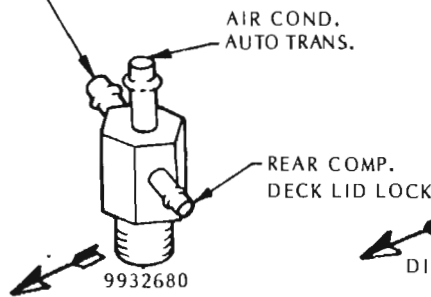
FUEL ECON. LAMP AUTO TRANS.

DISC BRAKES



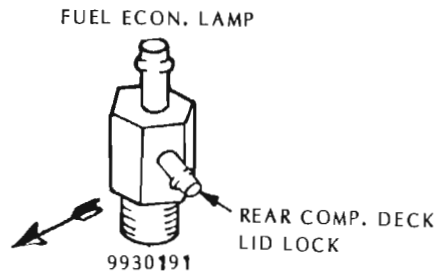
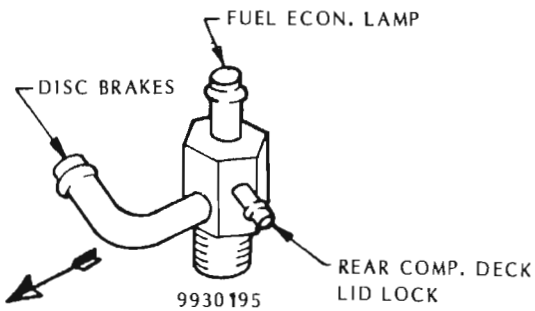
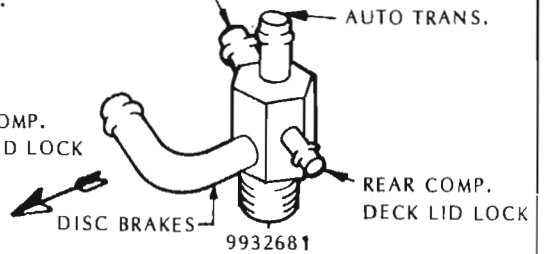
FUEL ECON. LAMP

AIR COND.
AUTO TRANS.



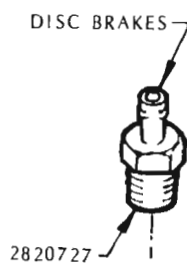
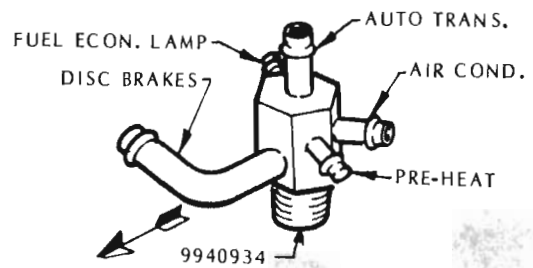
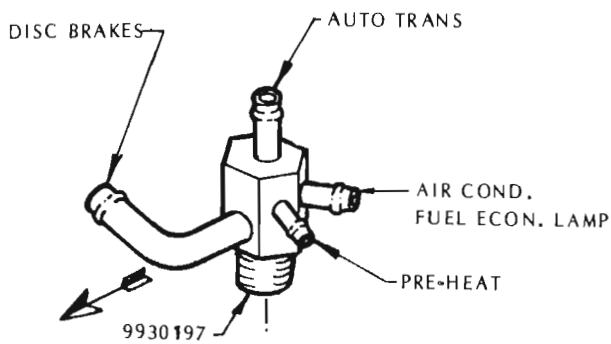
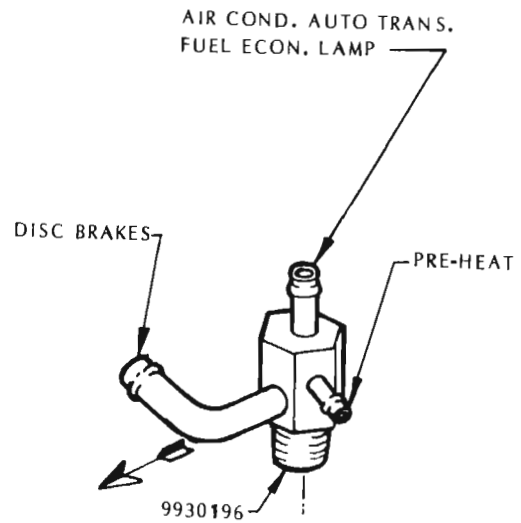
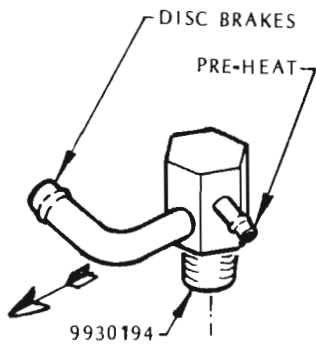
FUEL ECON. LAMP

AUTO TRANS.



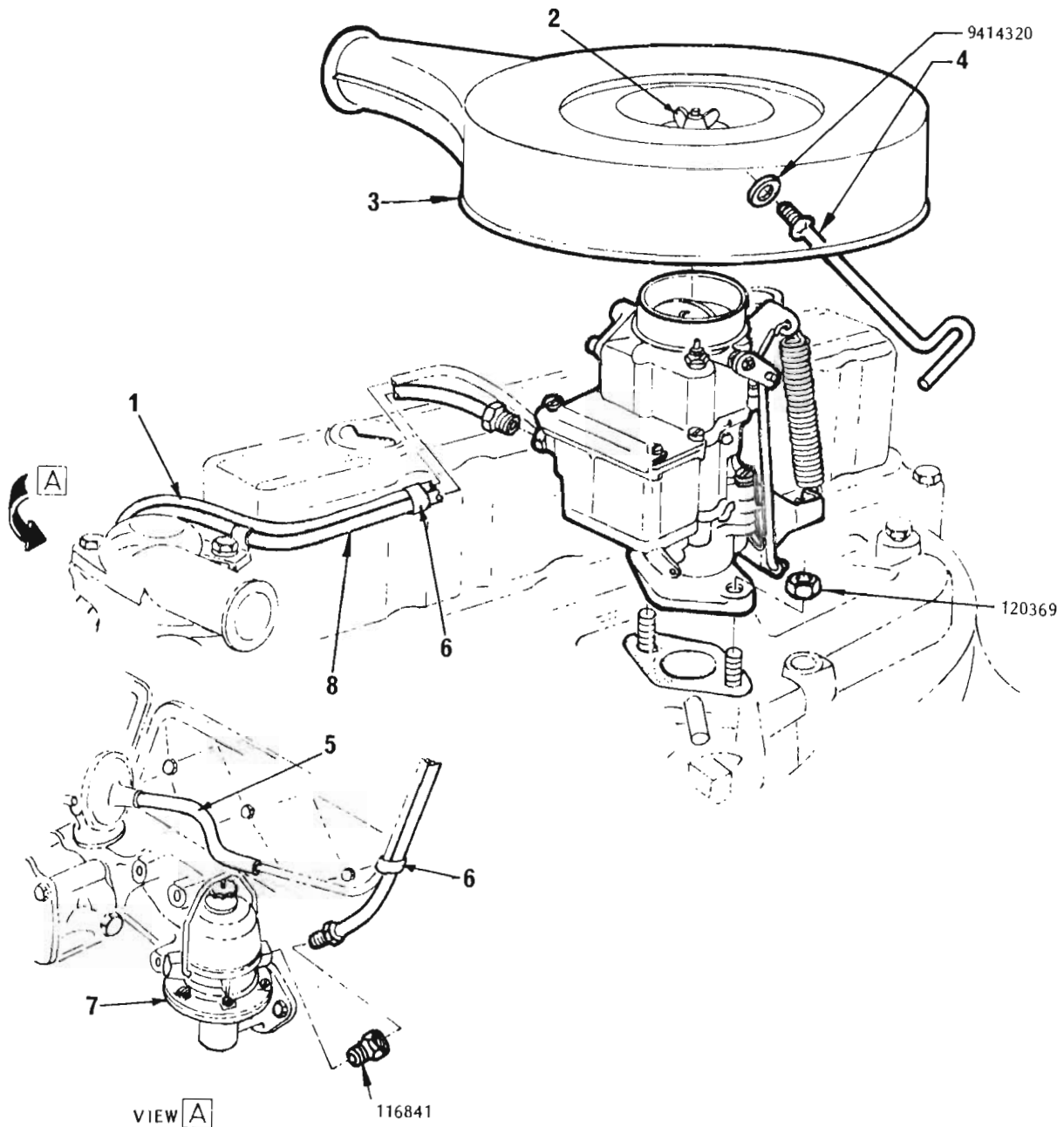
ARROWS INDICATE ALIGNMENT OF FITTINGS TO FRONT OF ENGINE.

VACUUM ADAPTORS
6 Cylinder Engine
Refer Group 3.265



ARROWS INDICATE ALIGNMENT OF FITTINGS TO FRONT OF ENGINE.

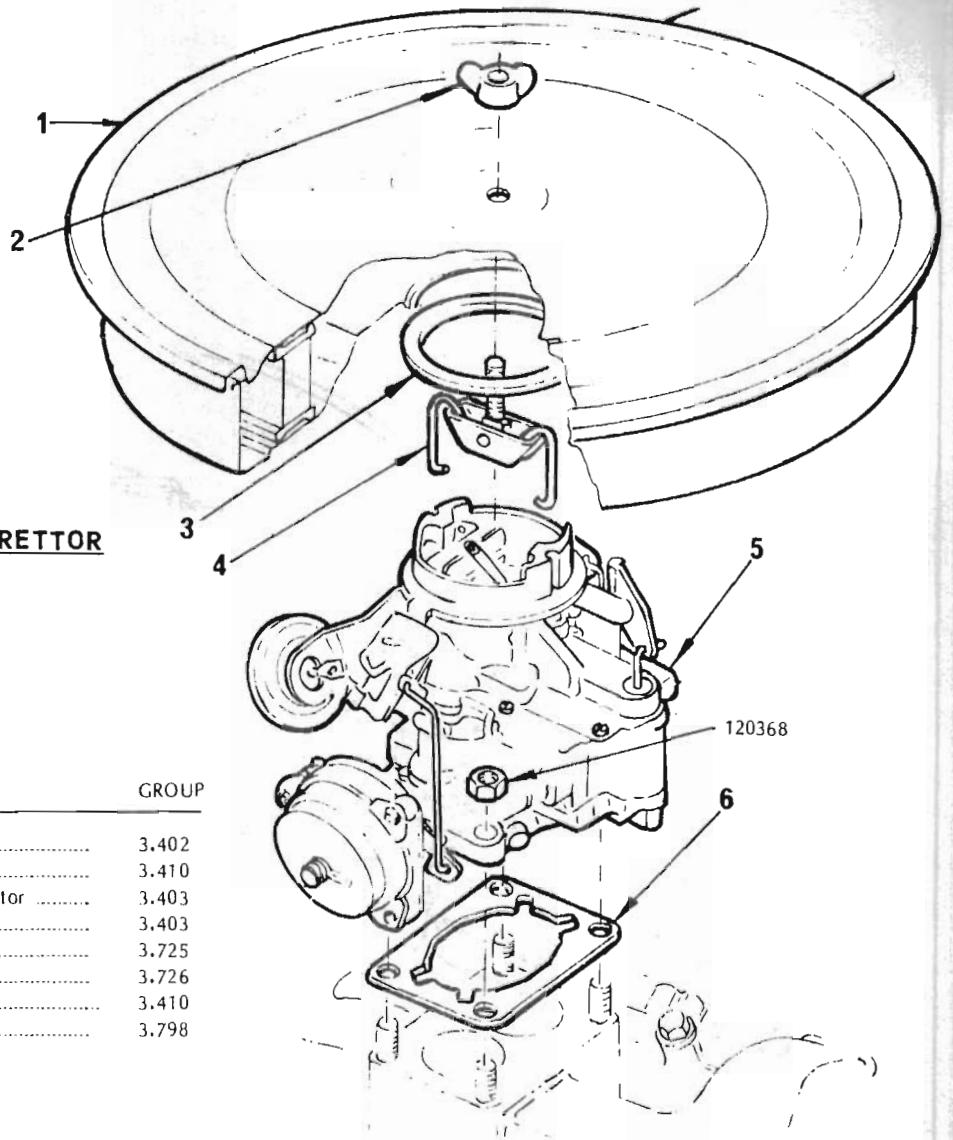
VACUUM ADAPTORS
8 Cylinder Engine
Refer Group 3.265



AIR CLEANER & CARBURETTOR
6 Cyl. Eng.

ILLUS. REF. NO.	PART NAME	GROUP	ILLUS. REF. NO.	PART NAME	GROUP
1.	PIPE - Spark control	2.424	5.	HOSE - Spark control pipe	2.424
2.	NUT - Wing 1/4"	3.410	6.	CLIP - Spark control pipe to fuel pipe	2.424
3.	AIR CLEANER & SILENCER ASSY.	3.402	7.	PUMP ASSEMBLY - Fuel	3.900
4.	ROD - Air cleaner	3.403	8.	PIPE ASSEMBLY - Carburettor fuel	3.201

AIR CLEANER & CARBURETTOR
4.2 Litre Eng.

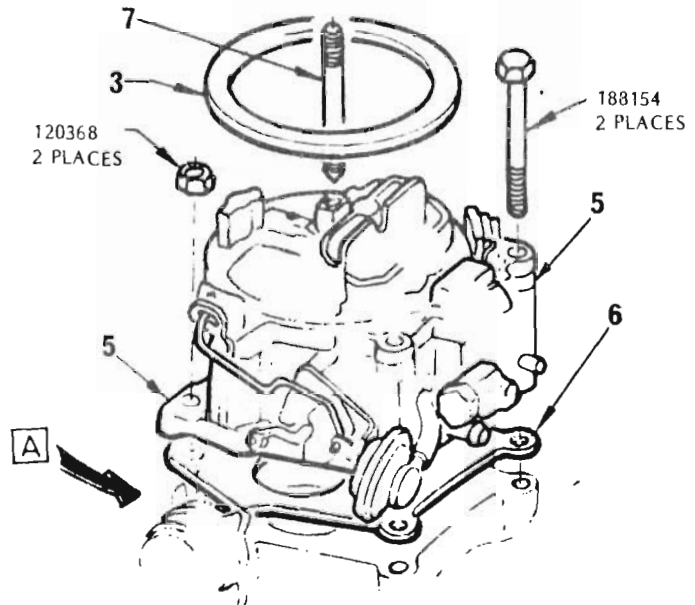
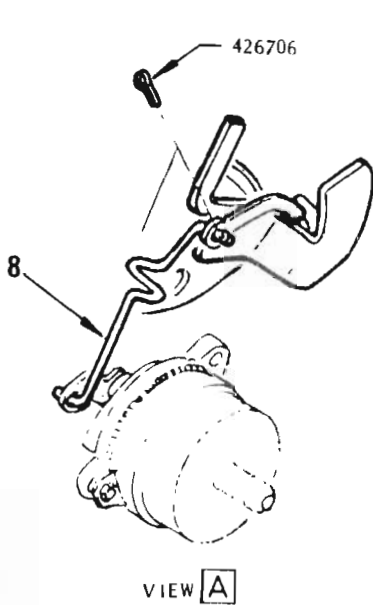


ILLUS.
REF. NO.

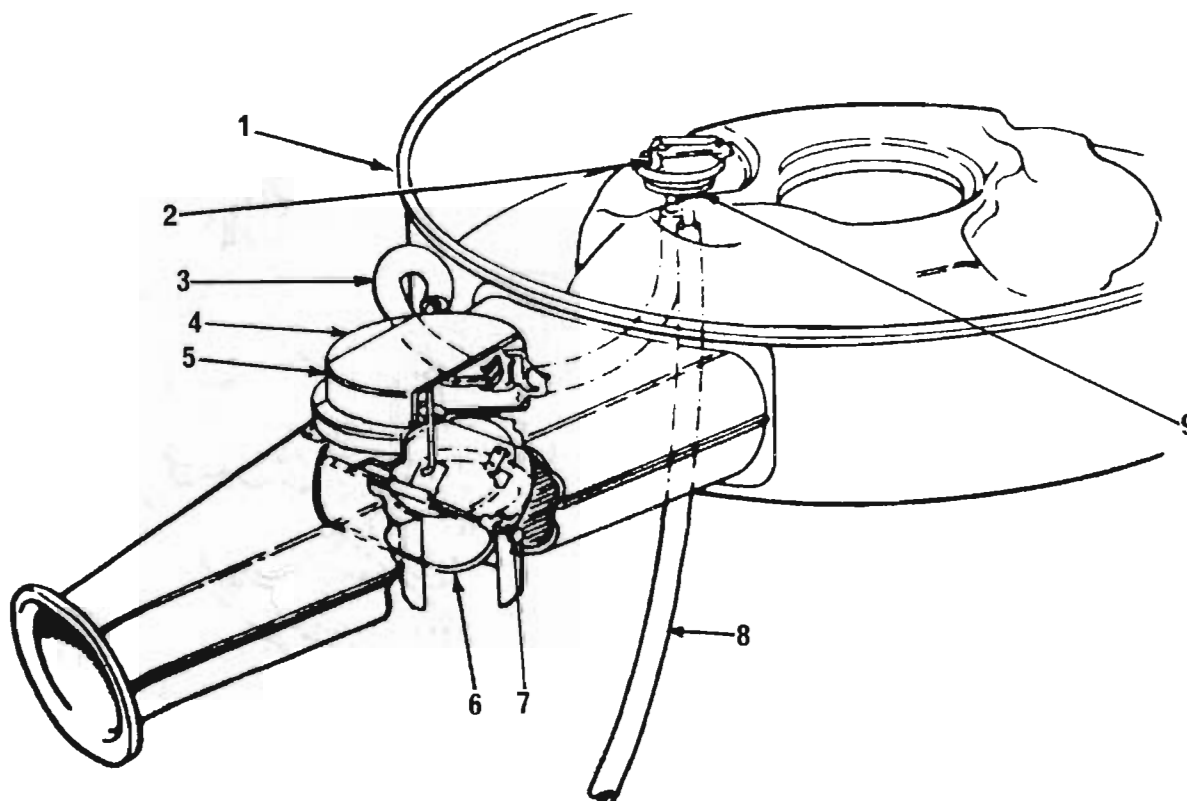
PART NAME

GROUP

1.	AIR CLEANER & SILENCER ASSY	3.402
2.	NUT - Wing 1/4" - 20	3.410
3.	GASKET - Air cleaner to carburettor	3.403
4.	BRIDGE ASSEMBLY	3.403
5.	CARBURETTOR ASSEMBLY	3.725
6.	GASKET - Flange	3.726
7.	STUD	3.410
8.	ROD - Automatic choke	3.798



5 Litre Eng.

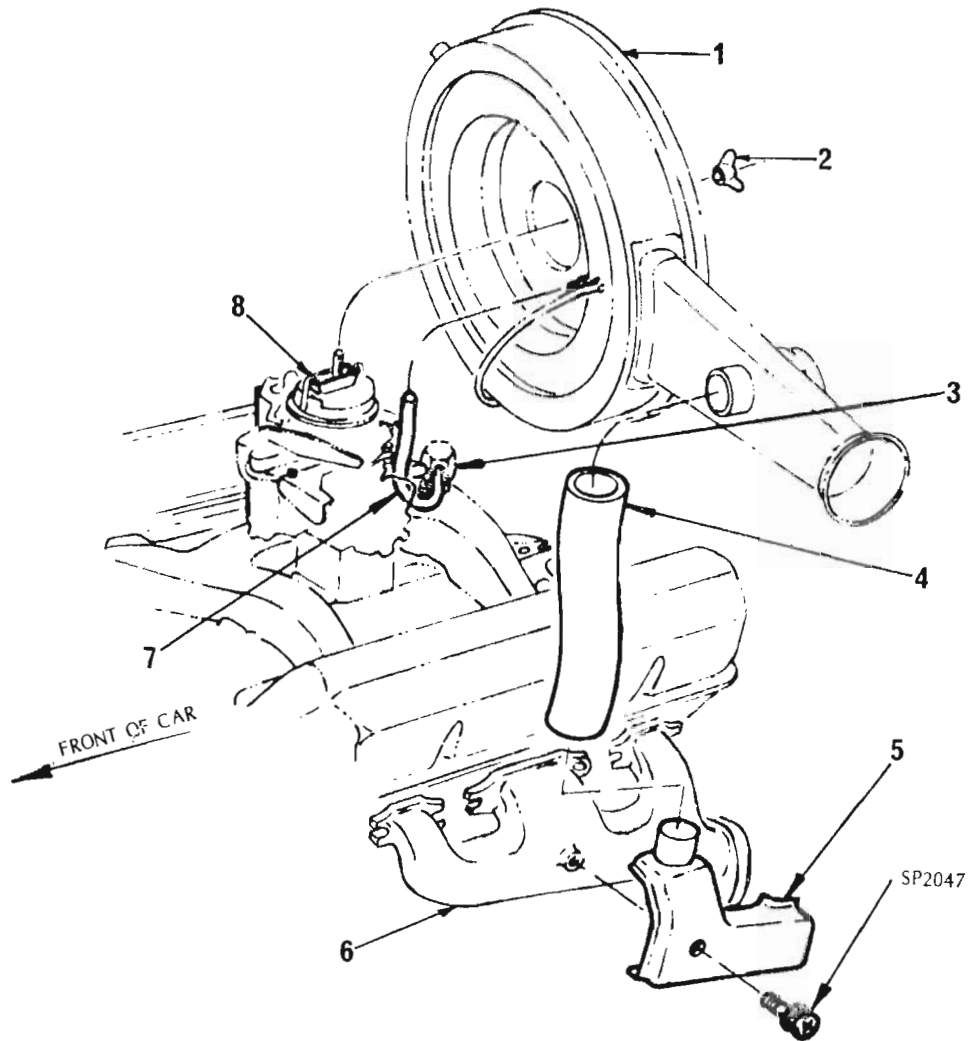


AIR CLEANER & SILENCER ASSEMBLY

EMISSION CONTROL

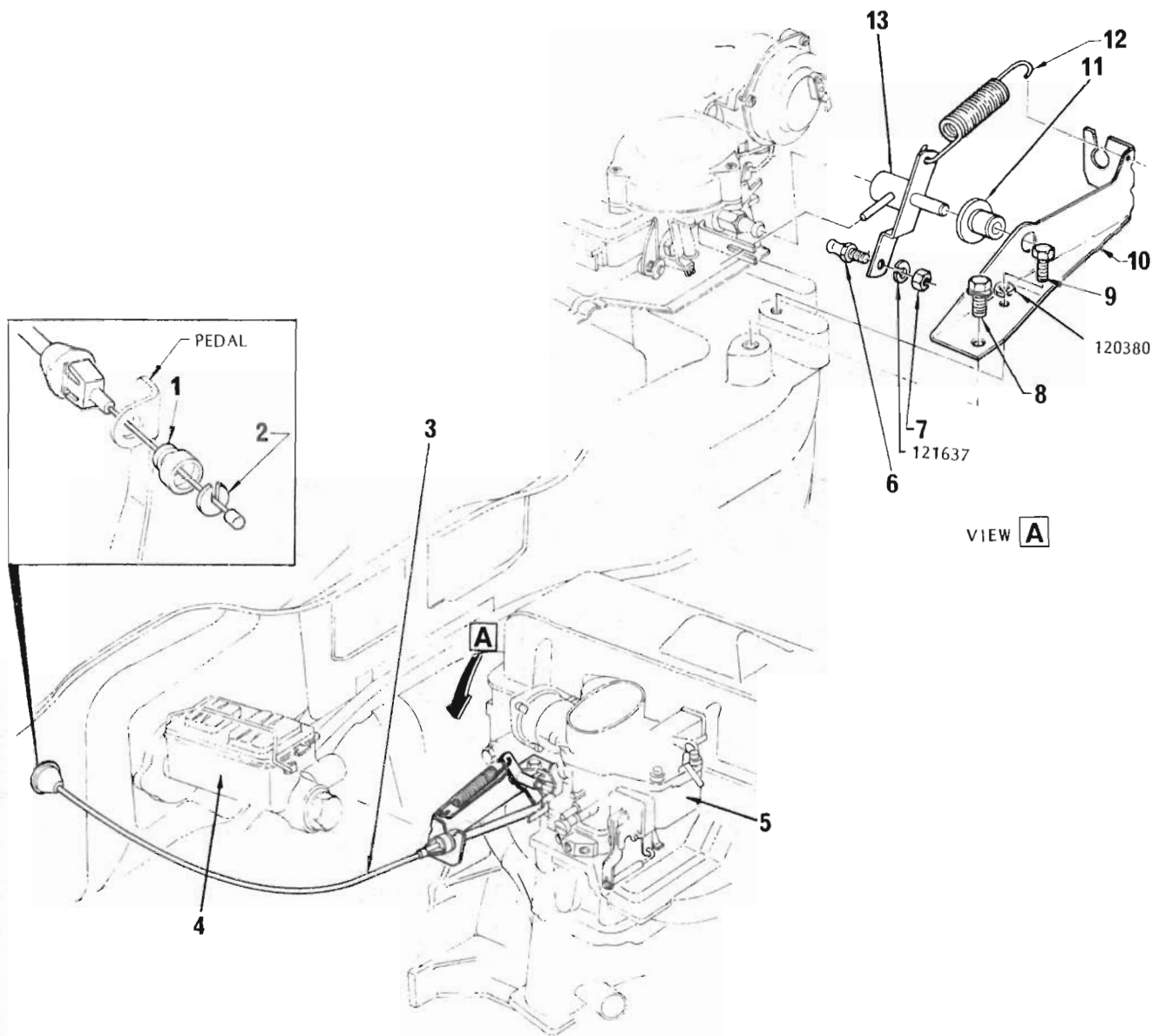
8 Cylinder Engine

ILLUS. REF. NO.	PART NAME	GROUP	ILLUS. REF. NO.	PART NAME	GROUP
1.	AIR CLEANER & SILENCER ASSY.	3.402	6.	DAMPER & VALVE ASSY.	3.415
2.	VALVE & SHIELD ASSY.	3.415	7.	PIN - Diaphragm assy. to air cleaner inlet	3.415
3.	HOSE - Thermal valve vacuum	3.415	8.	HOSE - Thermal valve to vac. source	3.415
4.	DIAPHRAGM ASSY.	3.415	9.	FASTENER - Valve to air cleaner	3.415
5.	RETAINER - Diaphragm	3.415			



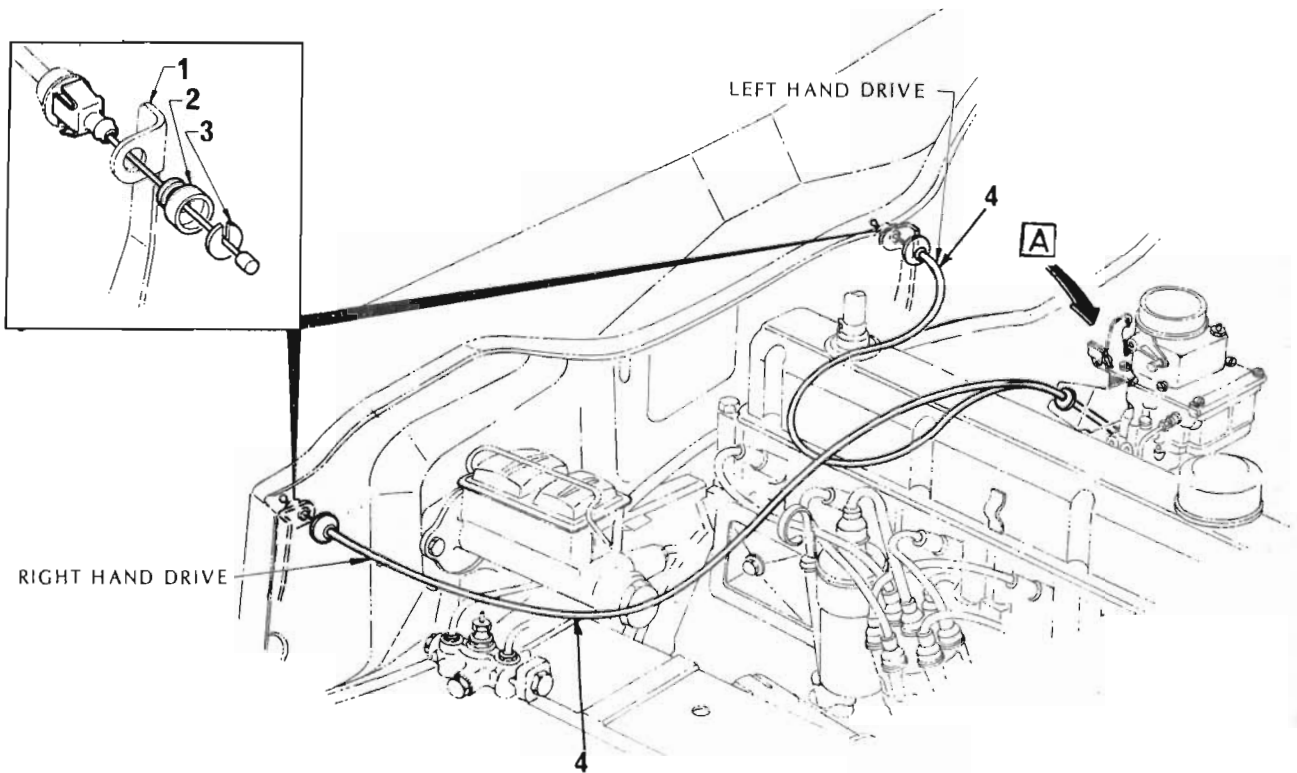
AIR PRE-HEAT SYSTEM

ILLUS. REF. NO.	PART NAME	GROUP	ILLUS. REF. NO.	PART NAME	GROUP
1.	AIR CLEANER & SILENCER ASSY.	3.402	5.	STOVE ASSY.	3.417
2.	NUT - Wing 1/4" - 20	3.410	6.	MANIFOLD ASSY. - Exhaust	3.601
3.	ADAPTOR - Vacuum	3.265	7.	HOSE - Thermal valve to vacuum source	3.415
4.	HOSE - Stove to air cleaner	3.417			

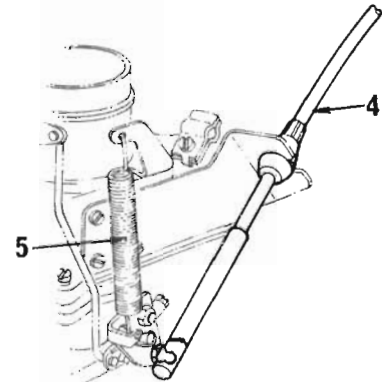


**THROTTLE CONTROL
4 CYL. ENG.**

ILLUS. REF. NO.	PART NAME	GROUP	ILLUS. REF. NO.	PART NAME	GROUP
1.	GROMMET - Cable insulator	3.430	8.	BOLT - Bracket to manifold, (8 x 1.25 x 15) ..	3.430
2.	RETAINER - Cable assy.	3.430	9.	BOLT - Bracket to manifold, (6 x 1 x 12)	3.430
3.	CABLE ASSY. - Throttle	3.430	10.	BRACKET - Cable retainer	3.430
4.	CYLINDER ASSY. - Brake main	4.650	11.	HEARING - Bracket to shaft & lever	3.430
5.	CARBURETTOR ASSEMBLY	3.725	12.	SPRING - Accelerator return	3.459
6.	STUD - Cable to lever	3.430	13.	SHAFT & LEVER ASSY.	3.430
7.	NUT - Stud to lever	3.430			

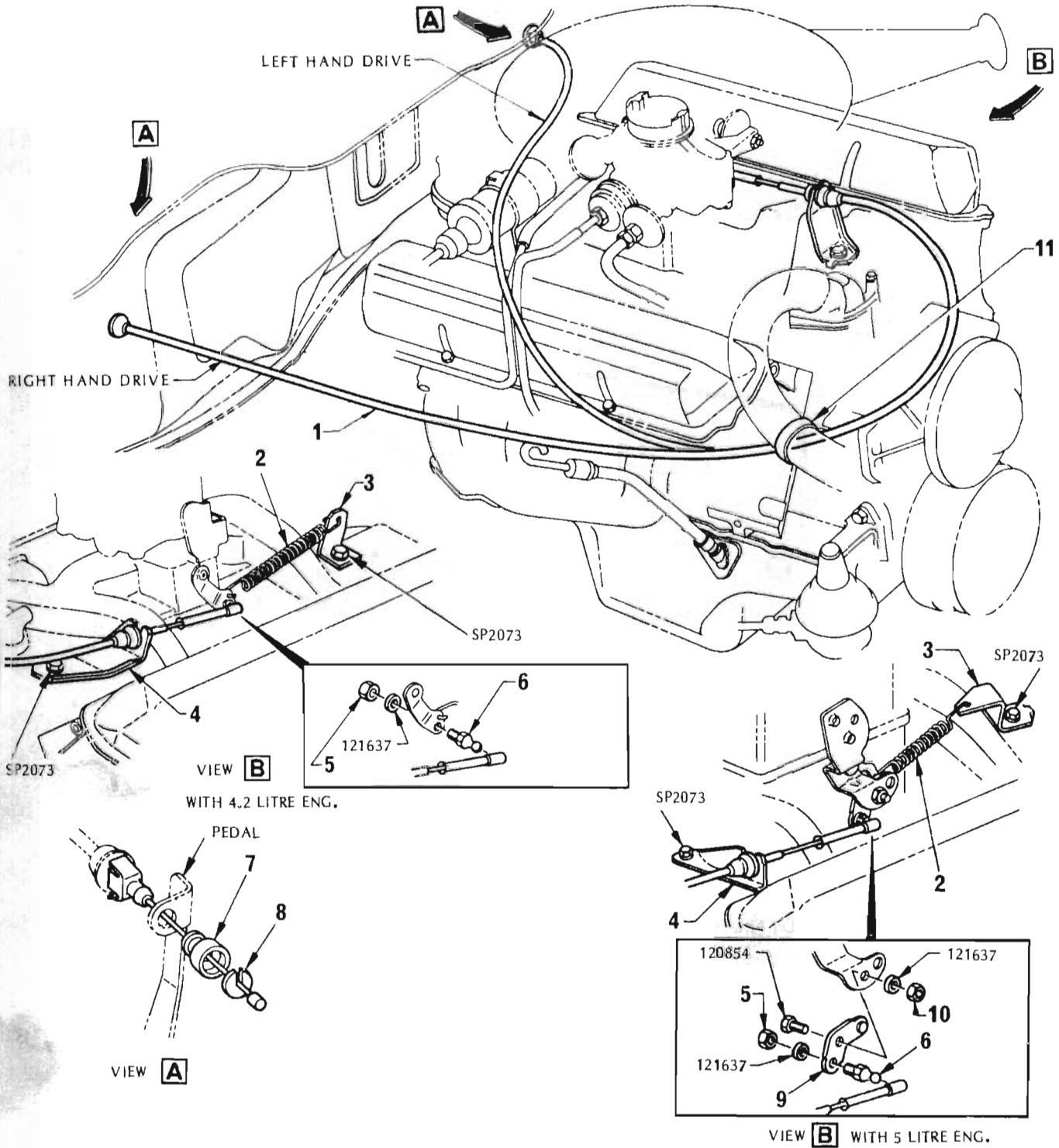


THROTTLE CONTROL
6 Cylinder Engine



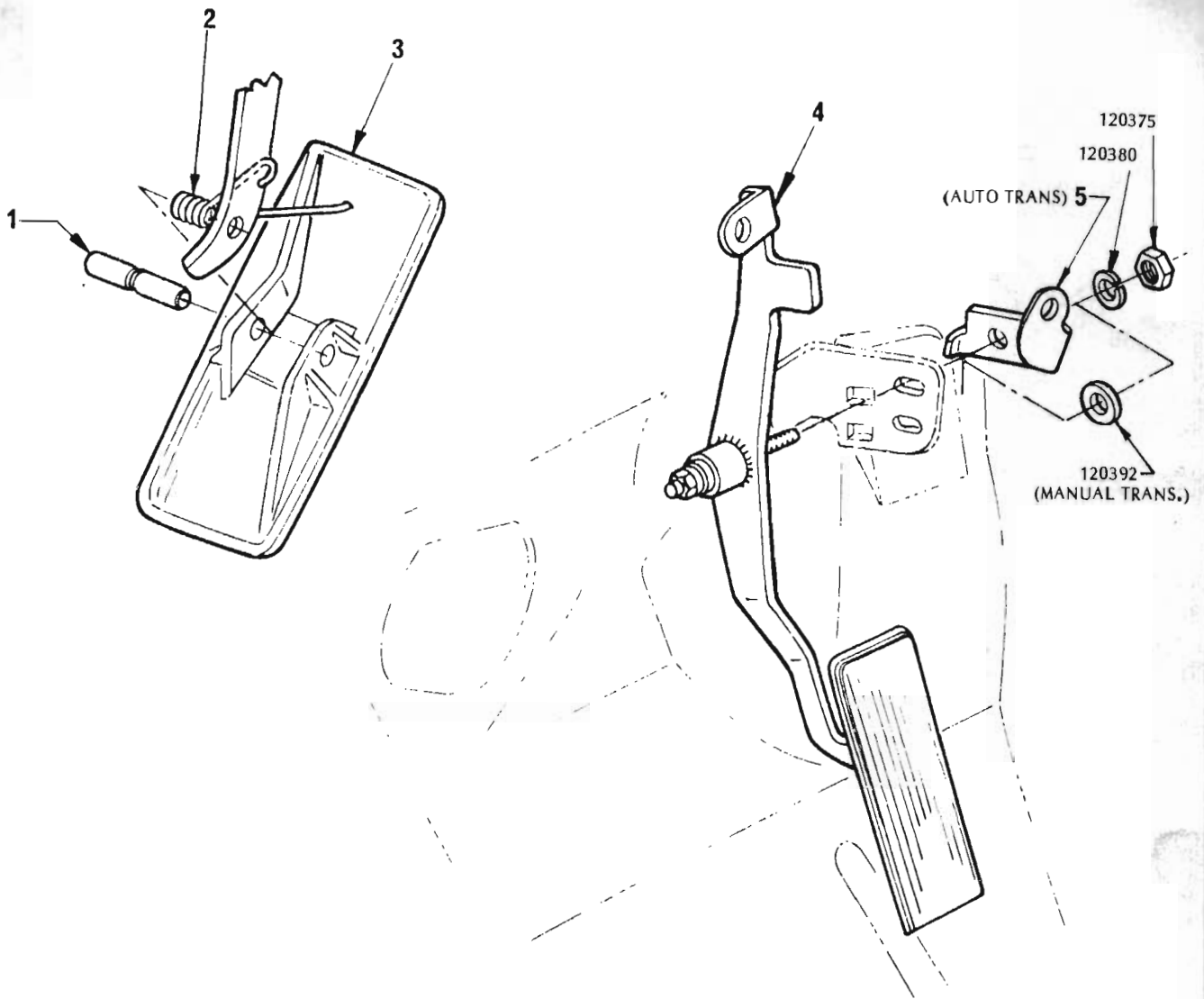
VIEW **A**

ILLUS. REF. NO.	PART NAME	GROUP
1.	LEVER & PIVOT ASSY. — Accelerator pedal	3.430
2.	GROMMET — Cable insulator	3.430
3.	RETAINER — Cable assy.	3.430
4.	CABLE ASSY. — Throttle	3.430
5.	SPRING — Lever return	3.731



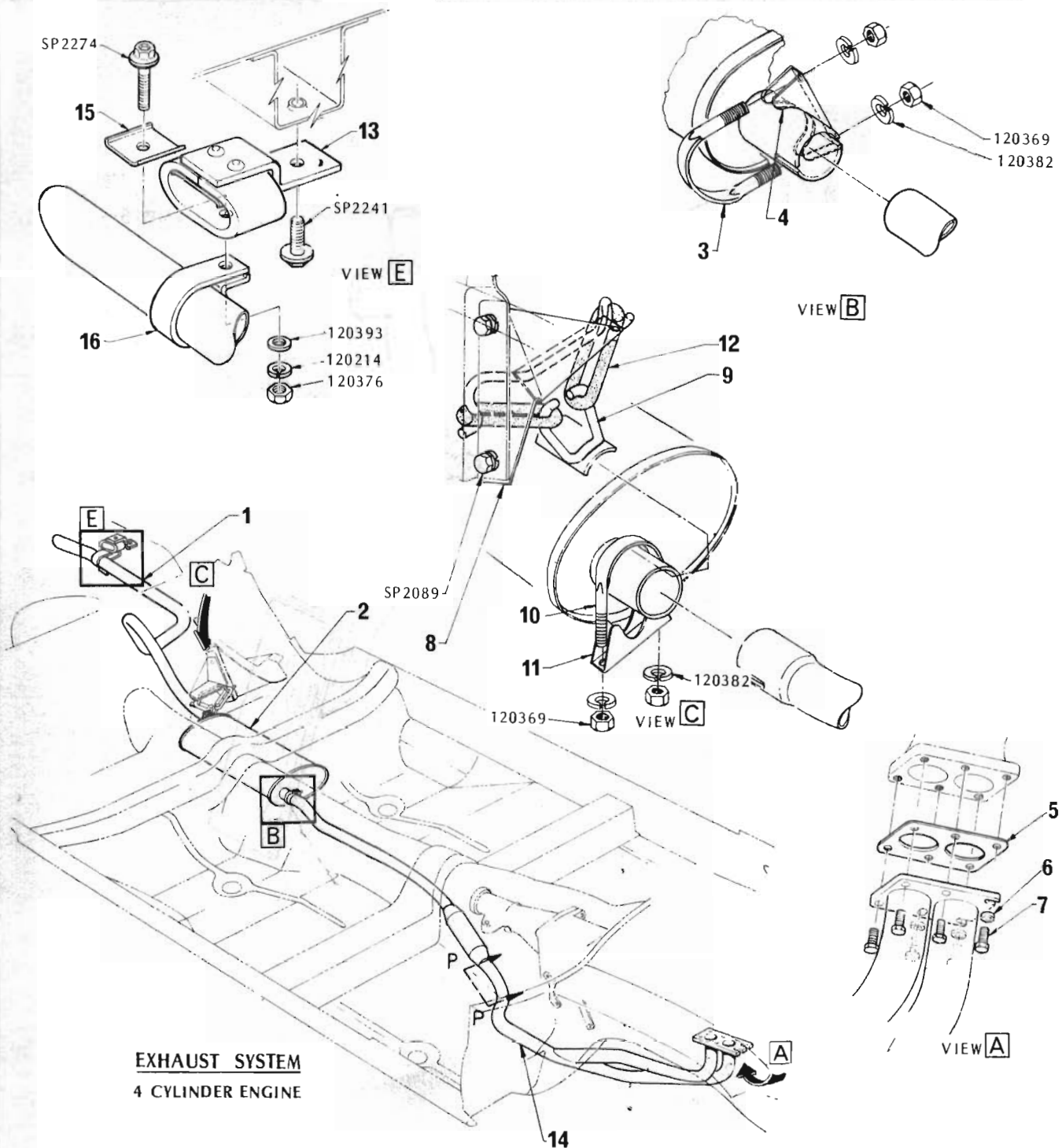
**THROTTLE CONTROL
8 Cylinder Engine**

ILLUS. REF. NO.	PART NAME	GROUP	ILLUS. REF. NO.	PART NAME	GROUP
1.	CABLE ASSY. – Throttle	3.430	7.	GROMMET – Cable insulator	3.430
2.	SPRING – Accelerator return	3.459	8.	RETAINER – Cable assy.	3.430
3.	BRACKET – Accelerator return spring	3.459	9.	LEVER – Carburettor	3.430
4.	BRACKET – Cable retaining	3.430	10.	NUT – Lever to carburettor	3.430
5.	NUT – Stud to lever	3.430	11.	STRAP – Cable to radiator hose	3.430
6.	STUD – Cable to lever	3.430			



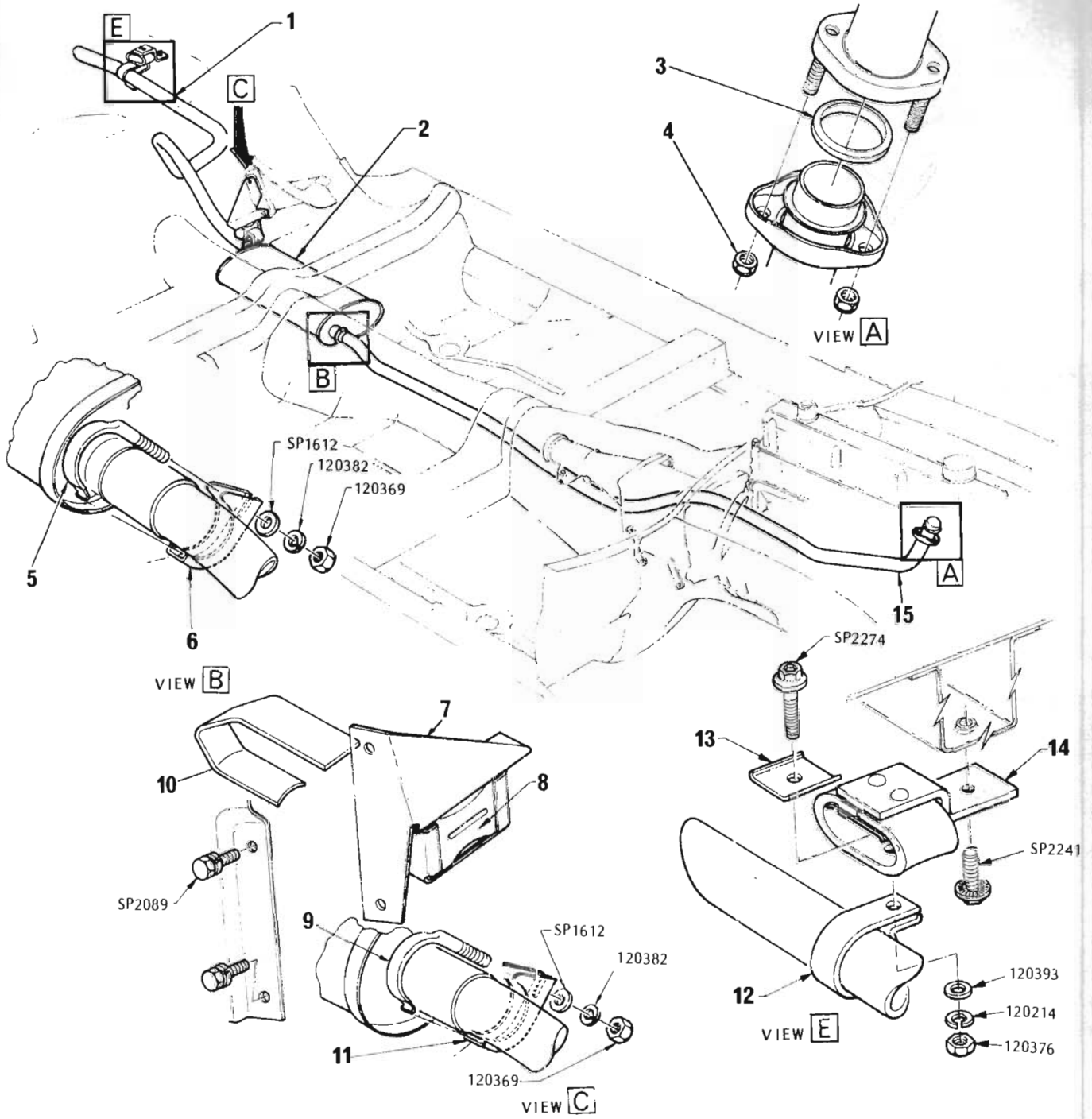
ACCELERATOR LEVER & PEDAL

ILLUS. REF. NO.	PART NAME	GROUP	ILLUS. REF. NO.	PART NAME	GROUP
1.	PIN - Pedal to lever	3.451	4.	LEVER & PIVOT ASSY. - Accelerator	3.430
2.	SPRING - Pedal tension	3.459	5.	BRACKET ASSY. - Solenoid detent actuating	
3.	PEDAL - Accelerator	3.451		switch	4.054



EXHAUST SYSTEM
4 CYLINDER ENGINE

ILLUS. REF. NO.	PART NAME	GROUP	ILLUS. REF. NO.	PART NAME	GROUP
1.	PIPE - Tail	3.705	9.	HOOK & PLATE ASSY. - Muffler	3.704
2.	MUFFLER ASSY.	3.701	10.	BOLT - Muffler to tail pipe	3.706
3.	BOLT - Pipe to muffler	3.616	11.	CLAMP - Muffler to tail pipe	3.706
4.	CLAMP - Pipe to muffler	3.616	12.	RING - Muffler support	3.704
5.	PACKING - Exhaust pipe	3.611	13.	BRACKET & INSULATOR - Tail pipe	3.710
6.	WASHER - Pipe to manifold	3.275	14.	PIPE ASSY. - Exhaust	3.609
7.	BOLT - Pipe to manifold	3.725	15.	REINFORCEMENT - Insulator	3.710
8.	BRACKET & HOOK ASSY. - Support	3.704	16.	CLAMP - Tail pipe	3.710



EXHAUST SYSTEM
6 Cylinder Engine exc. "SS"

ILLUS. REF. NO.	PART NAME	GROUP	ILLUS. REF. NO.	PART NAME	GROUP
1.	PIPE - Tail	3.705	9.	BOLT - Muffler to tail pipe	3.706
2.	MUFFLER ASSEMBLY	3.701	10.	SUPPORT - Muffler	3.704
3.	PACKING - Exhaust pipe	3.611	11.	CLAMP - Muffler to tail pipe	3.706
4.	NUT - Exhaust pipe to manifold	3.275	12.	CLAMP - Tail pipe support	3.710
5.	BOLT - Pipe to muffler	3.616	13.	REINFORCEMENT - Insulator	3.710
6.	CLAMP - Pipe to muffler	3.616	14.	BRACKET & INSULATOR ASSY. - Tail pipe ..	3.710
7.	BRACKET & SUPPORT ASSY. - Upper	3.704	15.	PIPE ASSEMBLY - Exhaust	3.609
8.	INSULATOR - Support	3.704			

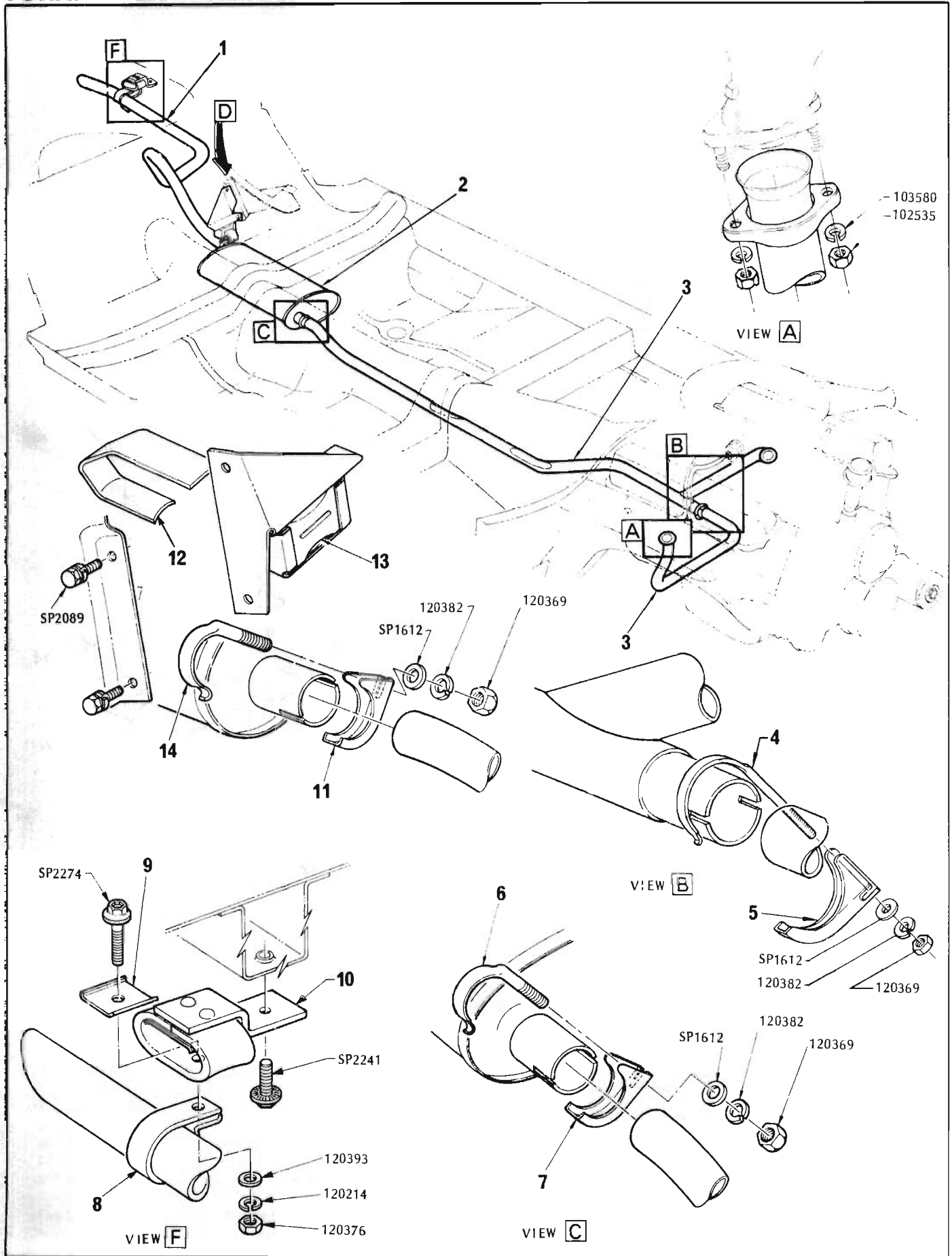
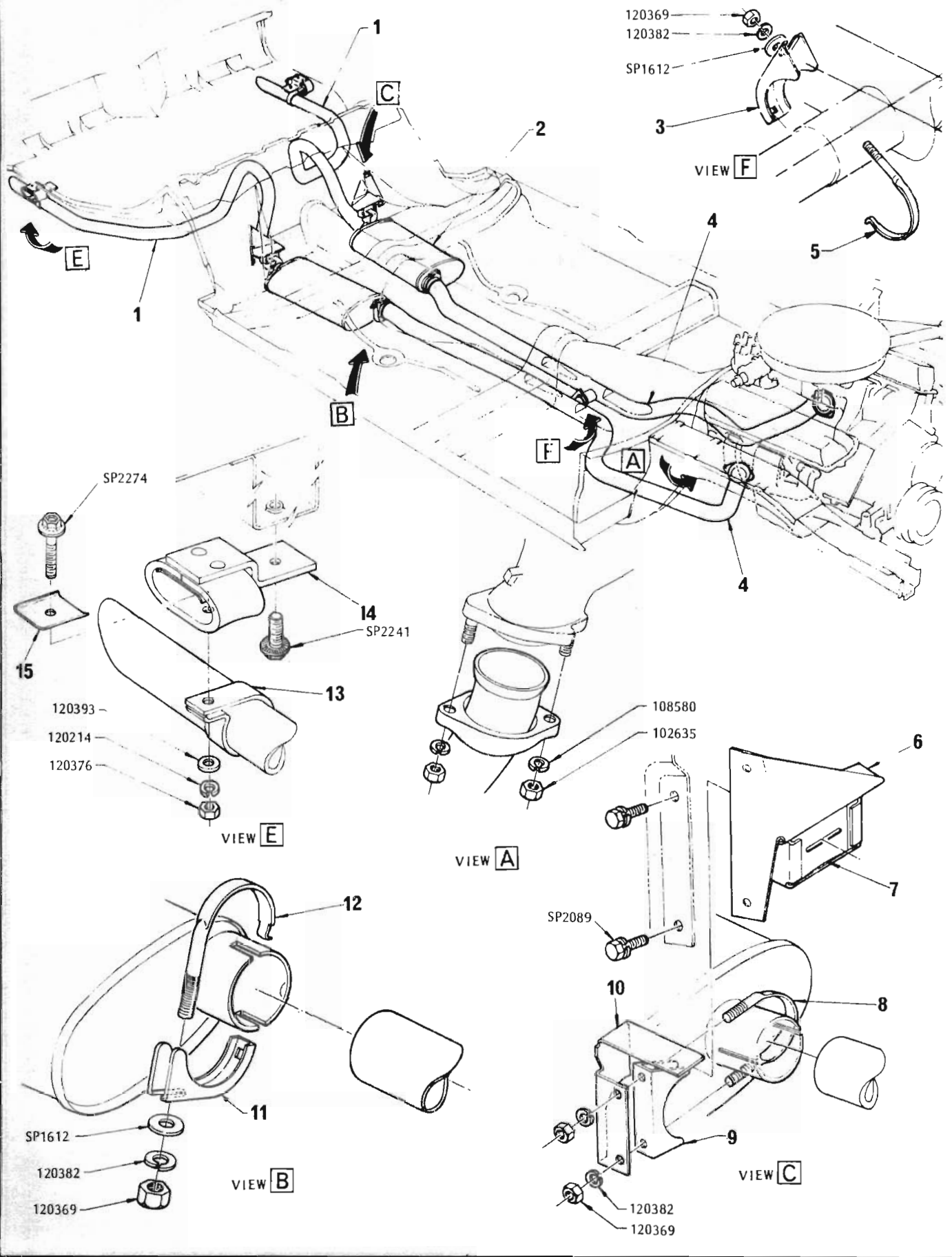


ILLUSTRATION OPPOSITE

SINGLE EXHAUST SYSTEM
8 Cylinder Engine

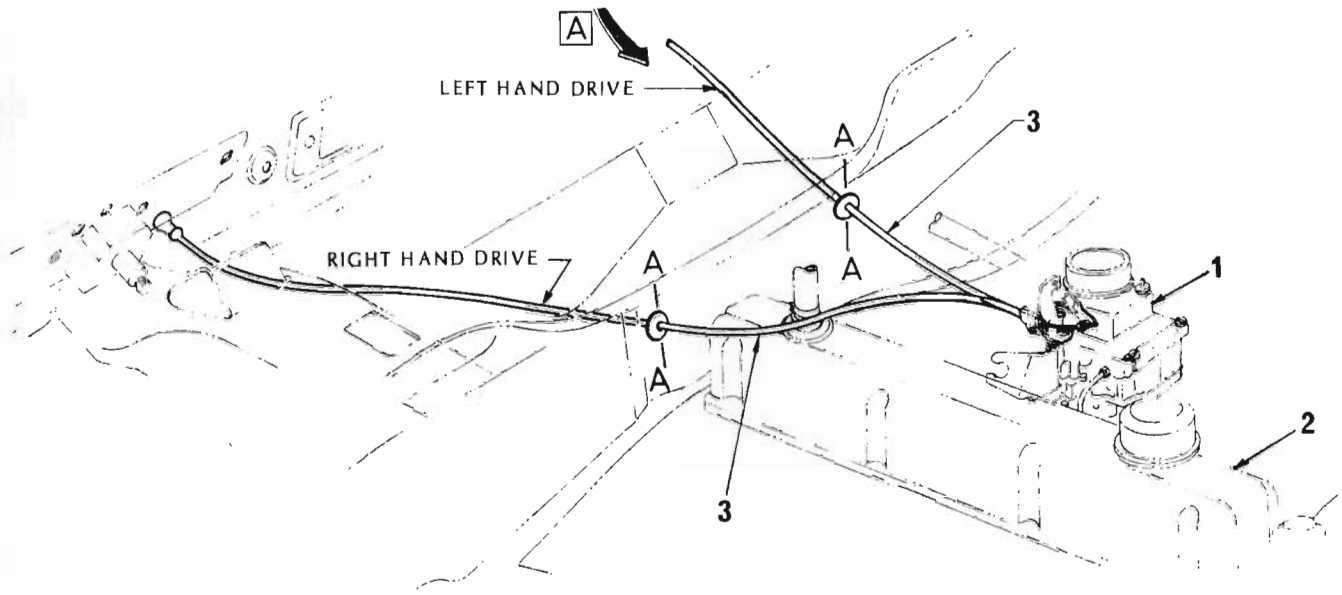
ILLUS. REF. NO.	PART NAME	GROUP
1.	PIPE – Tail	3.705
2.	MUFFLER ASSEMBLY	3.701
3.	PIPE ASSEMBLY – Exhaust	3.609
4.	BOLT – R.H. to L.H. pipe	3.616
5.	CLAMP – R.H. to L.H. pipe	3.616
6.	BOLT – Pipe to muffler	3.616
7.	CLAMP – Pipe to muffler	3.616
8.	CLAMP – Tail pipe	3.710
9.	REINFORCEMENT – Insulator	3.710
10.	BRACKET & INSULATOR ASSY. – Tail pipe	3.710
11.	CLAMP – Muffler to tail pipe	3.706
12.	SUPPORT – Muffler	3.704
13.	INSULATOR – Support	3.704
14.	BOLT – Muffler to tail pipe	3.706



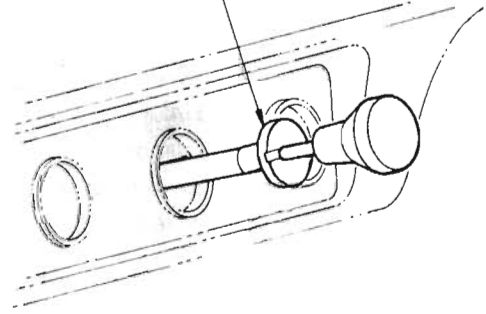
DUAL EXHAUST SYSTEM
8 Cylinder Engine

ILLUSTRATION OPPOSITE

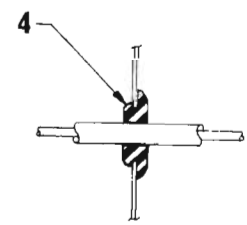
ILLUS. REF. NO.	PART NAME	GROUP
1.	PIPE – Tail	3.705
2.	MUFFLER ASSEMBLY	3.701
3.	CLAMP – Balance pipe	3.616
4.	PIPE ASSEMBLY – Exhaust	3.609
5.	BOLT – Balance pipe	3.616
6.	BRACKET & SUPPORT ASSY. – Upper	3.704
7.	INSULATOR – Support	3.704
8.	"U" BOLT – Muffler to tail pipe	3.706
9.	CLAMP – Muffler to tail pipe	3.706
10.	SUPPORT – Muffler	3.704
11.	CLAMP – Pipe to muffler	3.616
12.	BOLT – Pipe to muffler	3.616
13.	CLAMP – Tail pipe support	3.710
14.	BRACKET & INSULATOR ASSEMBLY	3.710
15.	REINFORCEMENT – Insulator	3.710



PUSH CHOKE ASSY.
INTO SLOTTED HOLE
& TURN 90° TILL IT
LOCKS.



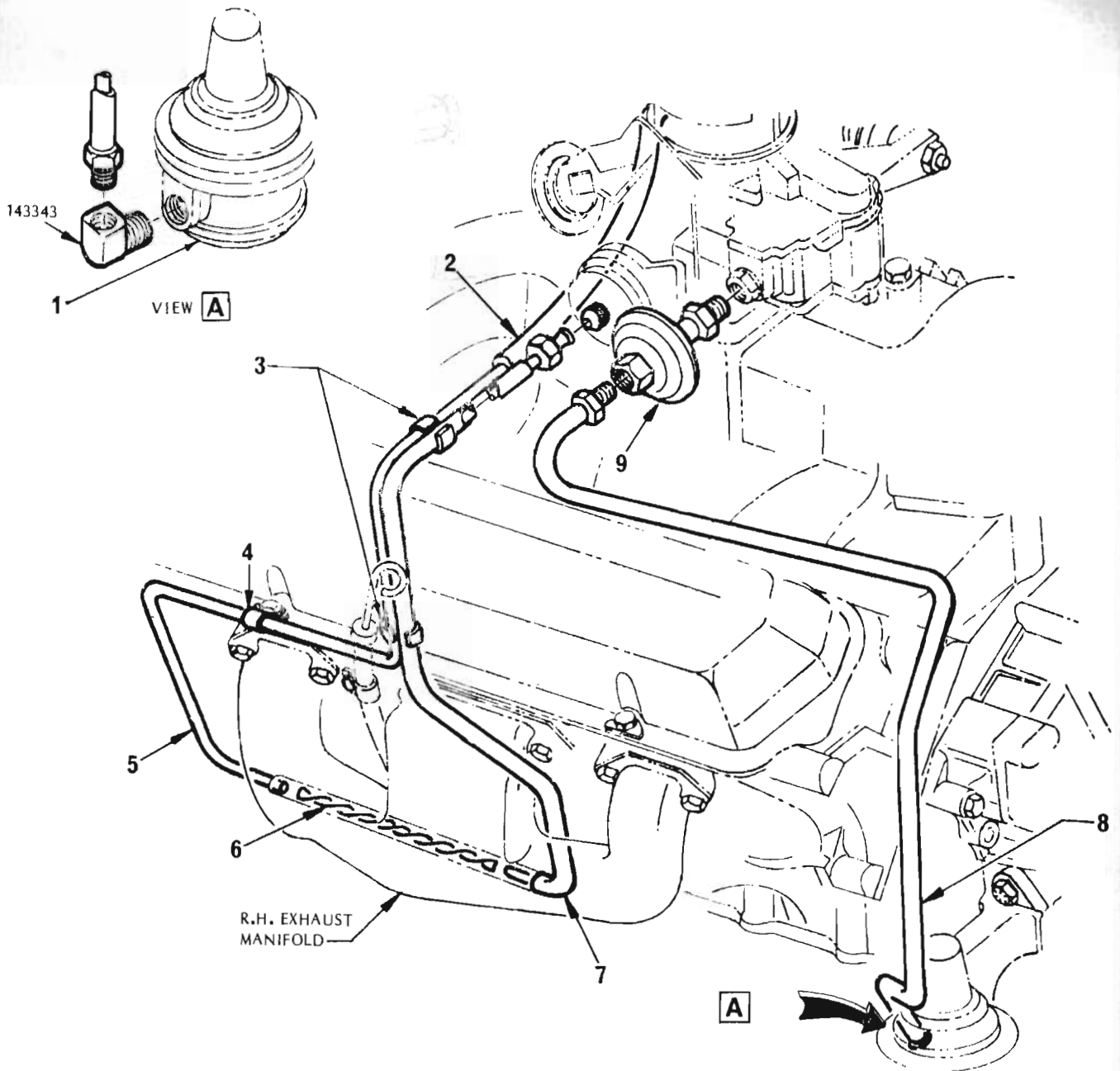
VIEW **A**



SECTION A-A

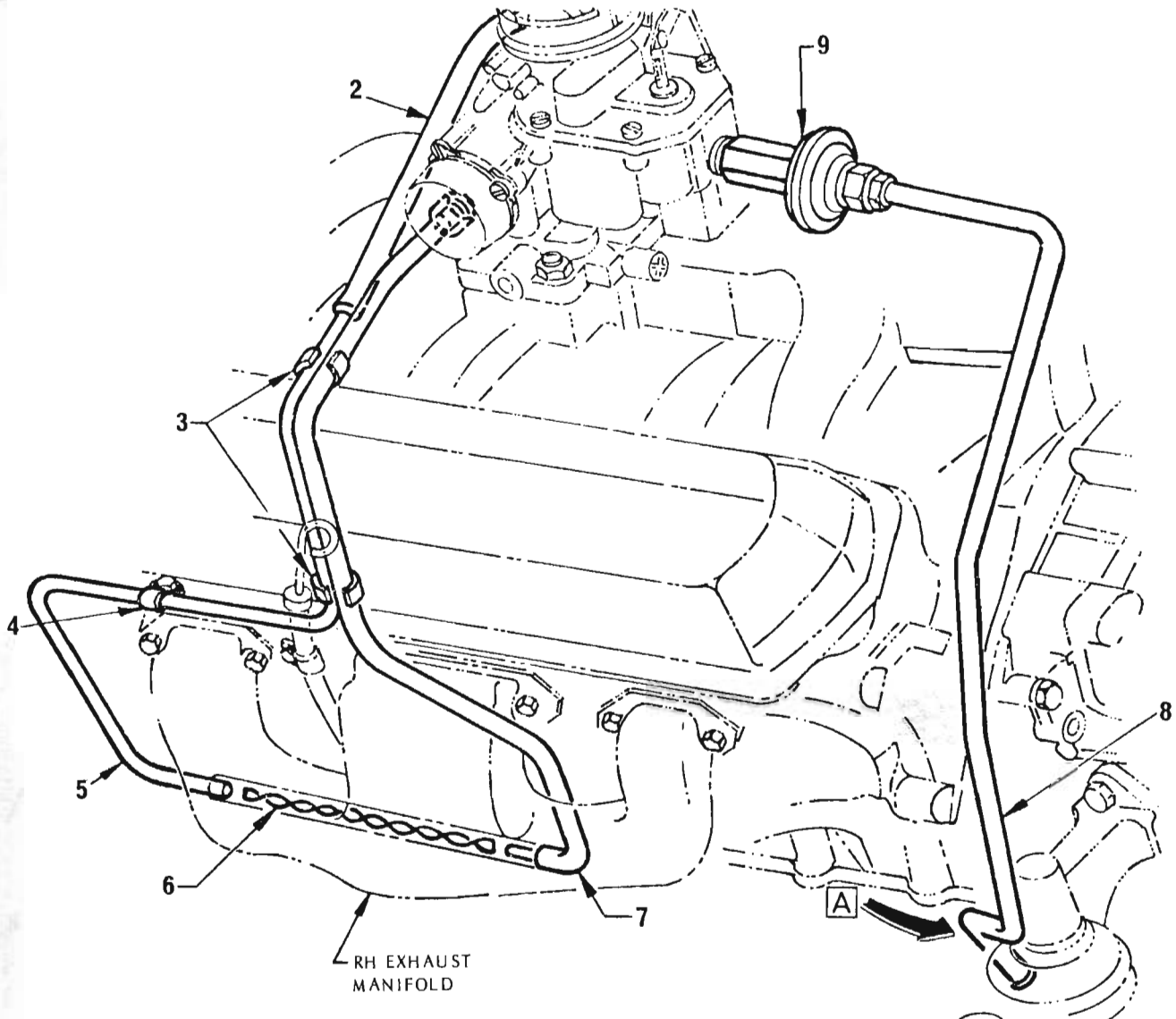
CHOKE CONTROL

ILLUS. REF. NO.	PART NAME	GROUP
1.	CARBURETTOR ASSEMBLY	3.725
2.	COVER - Valve rocker	0.386
3.	CONTROL ASSEMBLY - Choke	3.521
4.	GROMMET - Choke control to dash	3.521



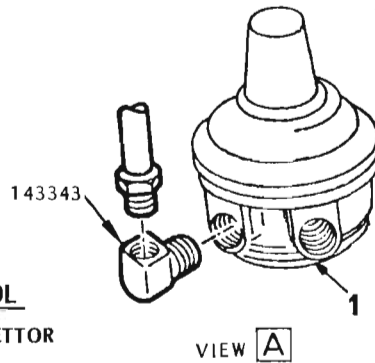
AUTOMATIC CHOKE CONTROL
4.2 LITRE ENGINE – BENDIX CARBURETTOR

ILLUS. REF. NO.	PART NAME	GROUP	ILLUS. REF. NO.	PART NAME	GROUP
1.	PUMP ASSEMBLY – Fuel.....	3.900	6.	BAFFLE – Choke heat tube	3.720
2.	HOSE – Inlet	3.720	7.	PIPE – Air heat	3.720
3.	CLIP – Pipe	3.720	8.	PIPE ASSY. – Carburettor fuel.....	3.201
4.	CLIP – Pipe to rocker cover	3.720	9.	FILTER ASSY. – Fuel	3.890
5.	PIPE – Air inlet	3.720			

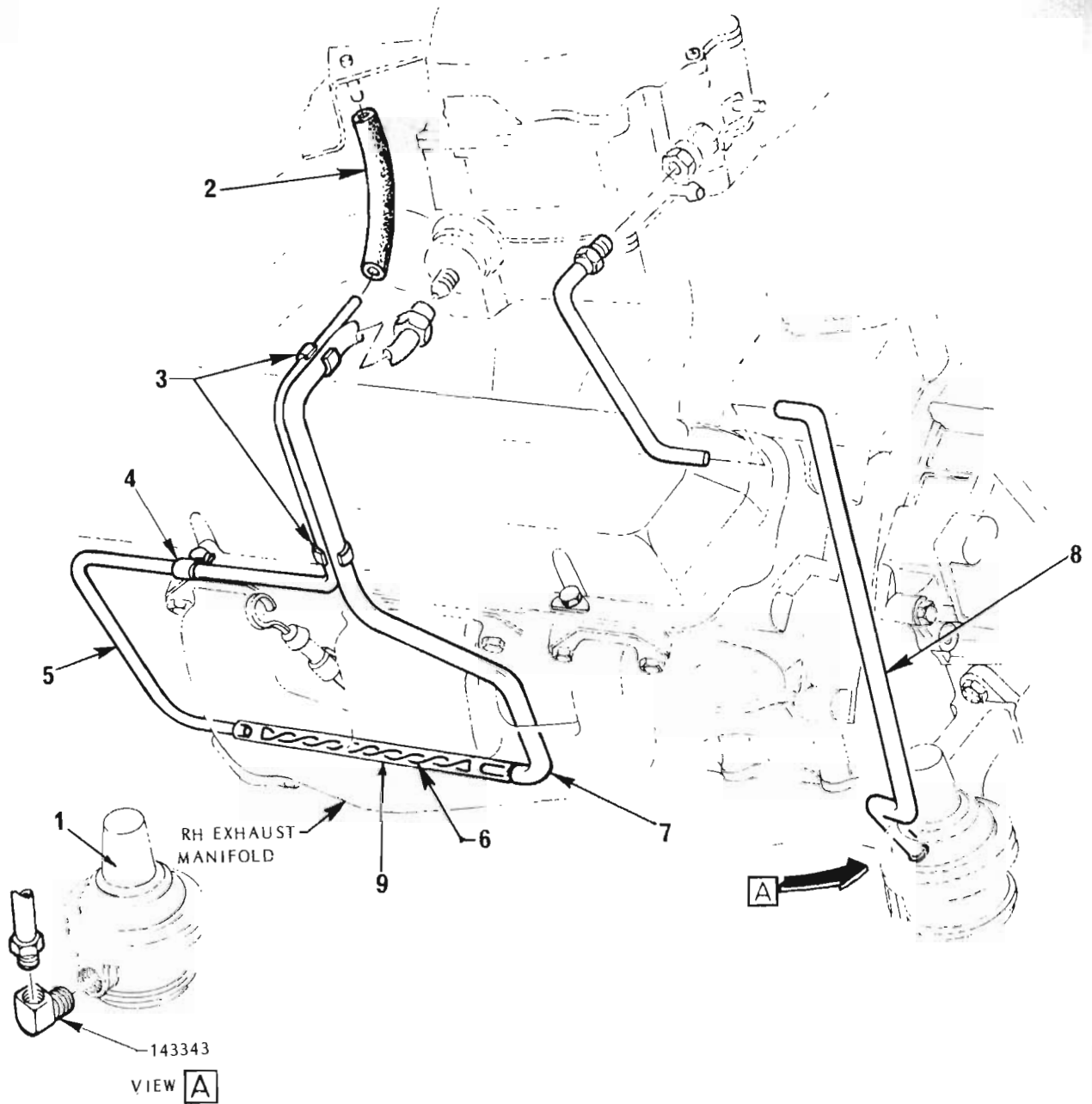


AUTOMATIC CHOKE CONTROL

4.2 LITRE ENGINE – EMAIL CARBURETTOR

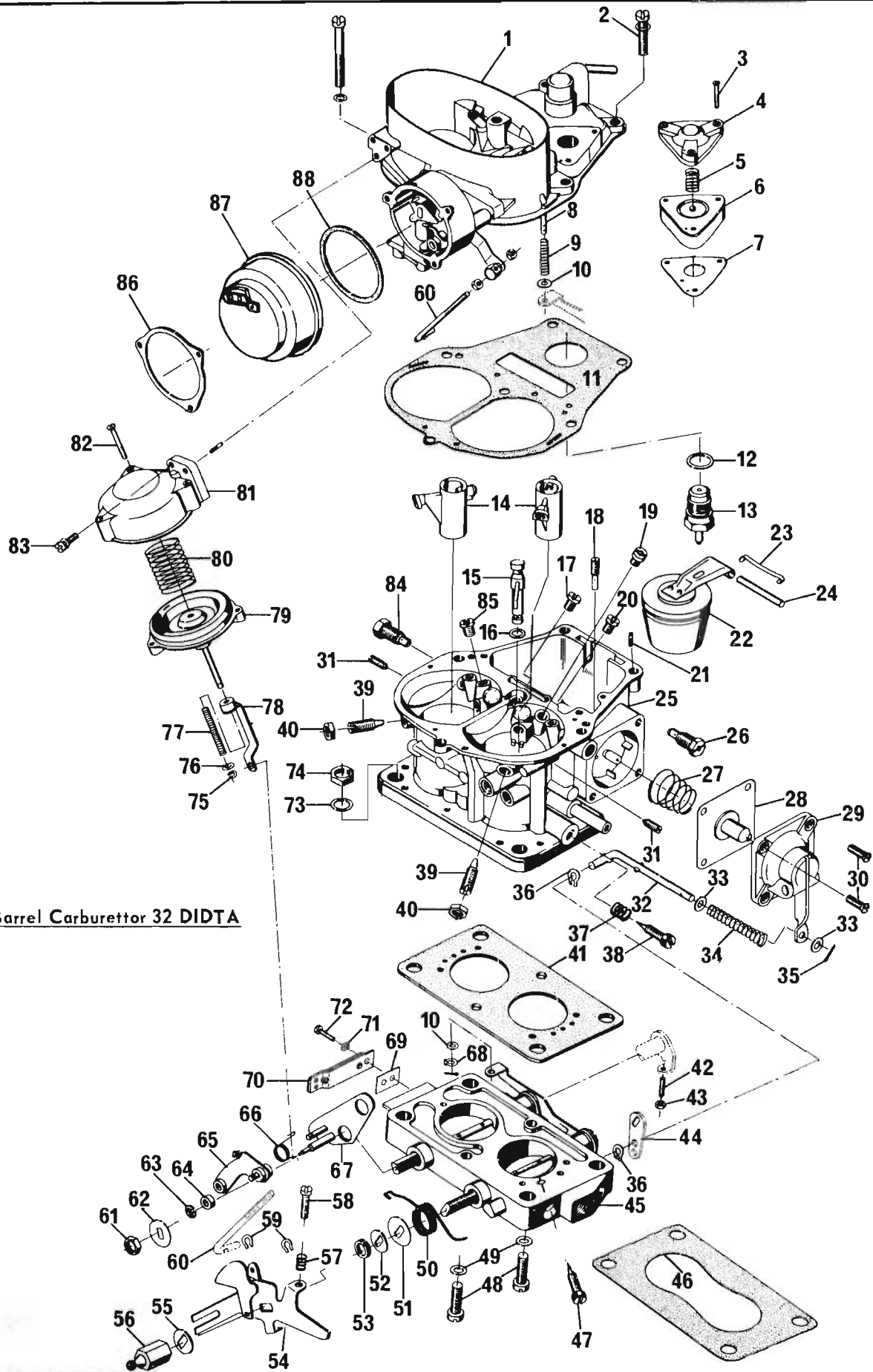


ILLUS. REF. NO.	PART NAME	GROUP
1.	PUMP ASSY. – Fuel	3.900
2.	HOSE – Inlet	3.720
3.	CLIP – Pipe	3.720
4.	CLIP – Pipe to rocker cover	3.720
5.	PIPE – Air inlet	3.720
6.	BAFFLE – Choke heat tube	3.720
7.	PIPE – Air heat	3.720
8.	PIPE ASSY. – Carburettor fuel	3.201
9.	FILTER ASSY. – Fuel	3.890



AUTOMATIC CHOKE CONTROL
5 Litre Engine – Rochester Carburettor

ILLUS. REF. NO.	PART NAME	GROUP
1.	PUMP ASSY. – Fuel	3.900
2.	HOSE – Inlet	3.603
3.	CLIP – Pipe	3.603
4.	CLIP – Pipe to rocker cover	3.603
5.	PIPE – Air inlet	3.603
6.	BAFFLE – Choke heat tube	3.603
7.	PIPE – Air heat	3.603
8.	PIPE ASSY. – Carburettor fuel	3.201
9.	TUBE	3.603



Two-Barrel Carburettor 32 DIDTA

CARBURETTOR—TWO BARREL TYPE

**SOLEX
4 Cylinder Engine**

ILLUSTRATION OPPOSITE

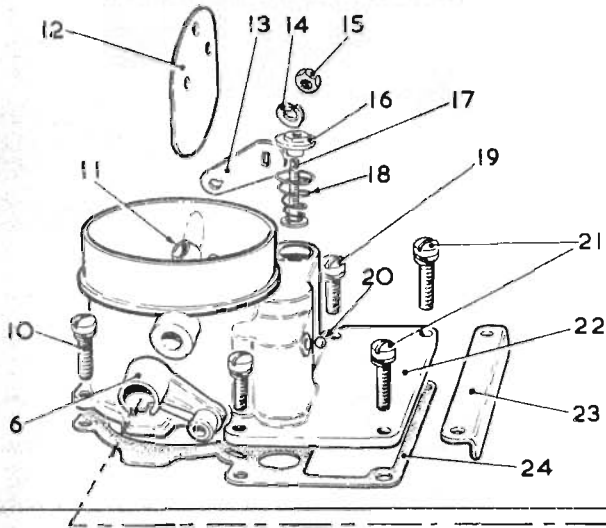
ILLUS. REF. NO.	PART NAME	GROUP	ILLUS. REF. NO.	PART NAME	GROUP
1-88	CARBURETTOR ASSY.	3.725	44.	LEVER — Intermediate	N.S.S.
1.	COVER — Float chamber	3.763	45.	BODY ASSY. — Throttle	3.727
2.	SCREW — Float chamber cover	3.763	46.	GASKET — Carburettor flange	3.726
3-7	VALVE — Enrichment	3.757	47. (B)	SCREW — Idle mixture regulating	3.741
8.	ROD — Float chamber ventilation valve ..	3.764	48.	SCREW — Main body to throttle body ...	3.748
9.	SPRING — Float chamber ventilation vlv.	3.764	49.	WASHER — Main body to throttle body	3.748
10.	WASHER — Float chamber vent. valve ...	3.764	50.	SPRING — Throttle lever	3.731
11. (A, B)	GASKET — Float chamber cover	3.765	51.	WASHER — Throttle, inner	3.731
12. (A, B)	GASKET — Float needle seat	3.772	52.	WASHER — Throttle, intermediate	3.731
13. (B)	VALVE ASSY. — Float needle	3.771	53.	WASHER — Throttle, outer	3.731
14.	VENTURI — Secondary	3.786	54.	LEVER — Throttle	3.731
15.	TUBE — Injection	3.757	55.	WASHER — Throttle, safety	3.731
16. (A, B)	SEAL RING — Injection tube	3.757	56.	NUT — Throttle ball	3.731
17.	JET — Main, secondary	3.754	57.	SPRING — Slow idle adjusting screw ..	3.734
18.	JET — Enrichment	3.757	58.	SCREW — Slow idle adjusting	3.734
19.	JET — Air correction, primary	3.752	59.	RING — Choke rod clamping	3.798
20.	JET — Main, primary	3.754	60.	ROD — Choke	3.798
21.	PIN	N.S.S.	61.	NUT — Transfer lever	3.731
22.	FLOAT ASSY.	3.773	62.	WASHER — Transfer lever safety	3.731
23.	SPRING — Float fulcrum pin	3.775	63-67.	LEVER — Transfer	3.731
24.	PIN — Float fulcrum	3.775	68.	WASHER — Safety	3.764
25.	BODY ASSY. — Main	3.748	69.	GASKET — Hot idle compensator valve	3.766
26.	JET — Idle	3.752	70.	VALVE — Hot idle compensator	3.766
27. (B)	SPRING — Diaphragm pump	3.779	71.	WASHER — Hot idle compensator screw	3.766
28. (B)	DIAPHRAGM — Pump	3.778	72.	SCREW — Hot idle compensator	3.766
29.	COVER — Pump	3.782	73.	WASHER — Carburettor to manifold	3.288
30.	SCREW — Cover to body	3.782	74.	NUT — Carburettor to manifold	3.288
31.	SCREW — Venturi retaining	3.786	75-82.	VACUUM HOUSING ASSY.	3.766
32-35	ROD — Pump correcting	3.782	75.	WASHER — Safety	3.766
36.	RING — Clamping	3.782	76.	WASHER	3.766
37. (B)	SPRING — Air circulation screw	3.741	77.	SPRING — Diaphragm rod	3.766
38. (B)	SCREW — Air circulation regulating	3.741	83.	SCREW — Vacuum housing attaching ..	3.766
39.	SCREW — Venturi retaining	3.786	84.	PLUG — Pass over channel	3.767
40.	NUT — Venturi retaining screw	3.786	85.	JET — Air correction, secondary	3.752
41.	GASKET — Main body	3.749	86.	RING — Cover retaining	3.796
42.	STUD — Secondary throttle shaft adj. ...	3.731	87.	COVER — Thermostat	3.796
43.	NUT — Secondary throttle shaft adj. ...	3.731	88. (A, B)	GASKET — Thermostat	3.796

NOTE: (A) Included in Gasket Kit, Group 3.724

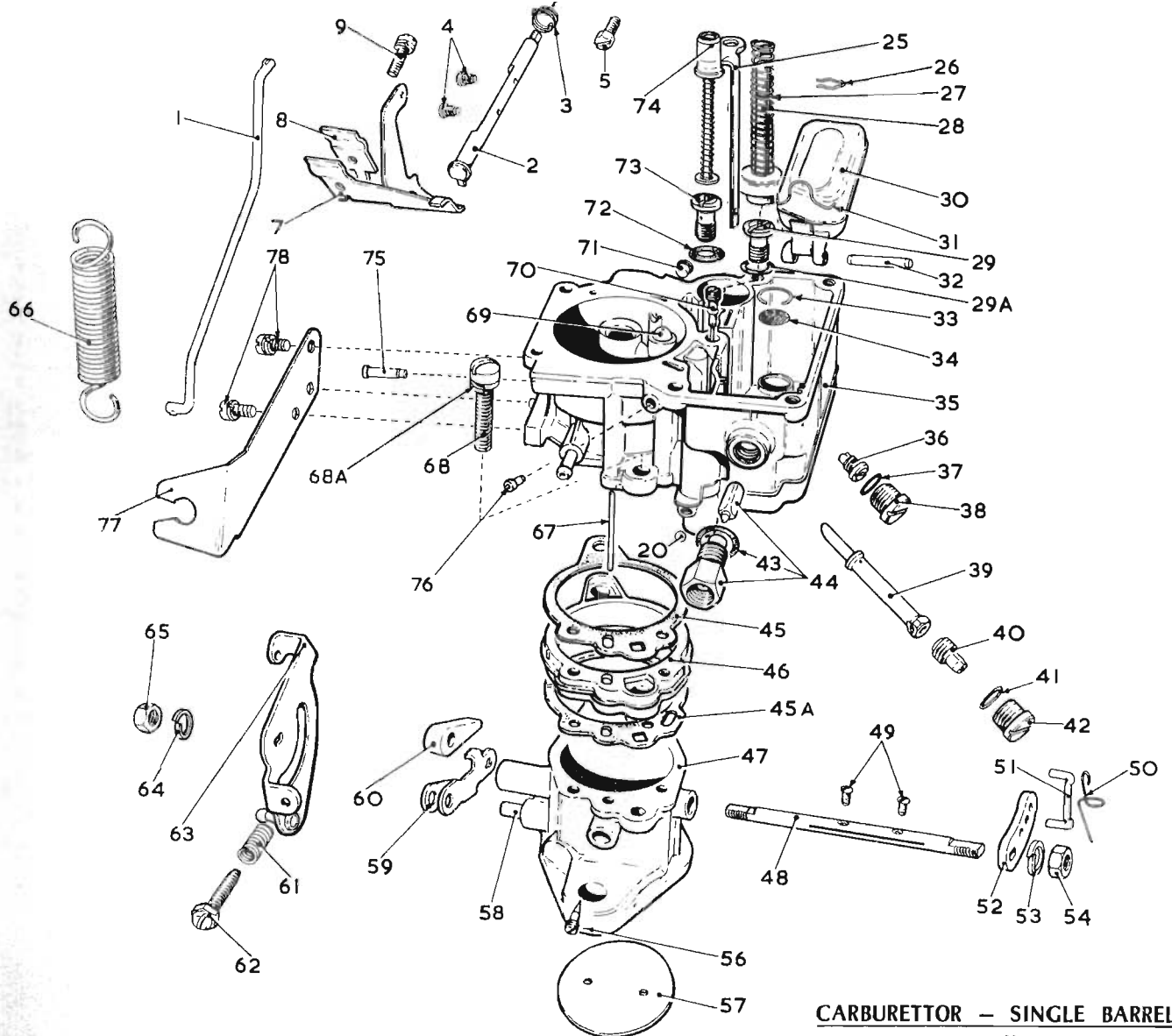
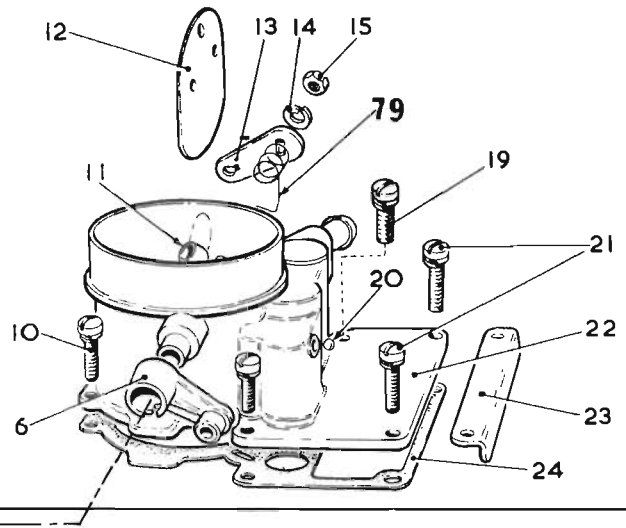
(B) Included in Repair Kit, Group 3.725.

138888 138888

USED WITHOUT EVAPORATIVE EMISSION CONTROL -- EXPORT



USED WITH EVAPORATIVE EMISSION CONTROL



CARBURETTOR - SINGLE BARREL
 Bendix
 EXPLODED VIEW

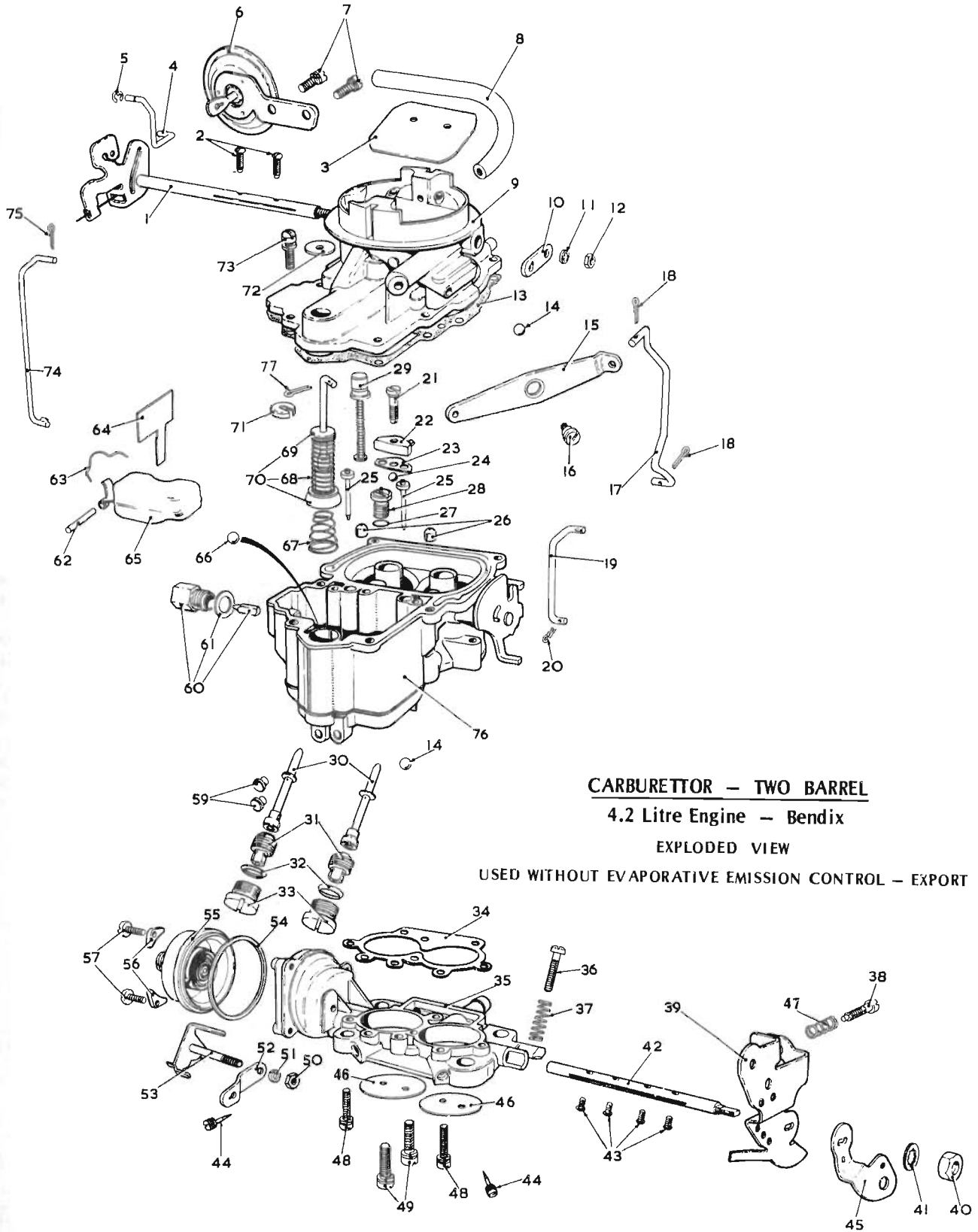
CARBURETTOR — SINGLE BARREL TYPE

**Bendix
6 Cylinder Engine**

ILLUSTRATION OPPOSITE

ILLUS. REF. NO.	PART NAME	GROUP	ILLUS REF. NO.	PART NAME	GROUP
1-79.	CARBURETTOR ASSEMBLY	3.725	39.	JET — Main discharge	3.754
1.	ROD — Fast idle	3.793	40. (B	JET — Main metering	3.754
2.	SHAFT & LEVER ASSY. — Choke	3.791	41. (B, C	GASKET — Metering jet plug	3.756
3.	SPRING — Choke lever	3.791	42. (B	PLUG — Metering jet	3.756
4.	SCREW — Choke valve attaching	3.789	43. (B, C	GASKET — Needle valve seat	3.772
5.	SCREW — Wire clamp	3.791	44. (B	VALVE & SEAT ASSY.	3.771
6.	LEVER ASSY. — Choke	3.791	45. (B, C	GASKET — Main body	3.749
8.	CLAMP — Choke cable	3.795	45A (B, C	GASKET — Throttle body	3.749
9.	SCREW & LOCK WASHER — Clamp	3.795	46.	SPACER — Insulating	3.748
7. }	BRACKET ASSY. — Choke cable	3.795	47.	BODY ASSY. — Throttle	3.727
8. }			48.	SHAFT — Throttle	3.731
9. }			49.	SCREW — Throttle valve	3.729
10.	SCREW & LOCK WASHER — Bracket	3.795	50. (B	CLIP — Spring	3.783
11.	TUBE — Vent	3.763	51. (B	LINK — Pump	3.783
12.	VALVE ASSY. — Choke	3.789	52. (B	LEVER — Pump	3.780
13.	LEVER — Fast idle	3.792	53.	WASHER — Pump lever nut	3.781
14.	WASHER — Lever attaching nut	3.792	54.	NUT — Pump lever	3.781
15.	NUT — Lever attaching	3.792	56. (B	VALVE — Idle needle	3.741
16.	VALVE — Idle vent	3.764	57.	VALVE — Throttle	3.729
17.	STEM — Idle vent valve	3.764	58.	PIN — Fast idle cam	3.736
18.	SPRING — Idle vent valve	3.764	59.	LEVER — Fast idle	3.735
19.	SCREW & LOCK WASHER — Air horn	3.763	60.	CAM — Fast idle	3.735
20.	PLUG — Lead ball	3.767	61.	SPRING — Slow idle adjusting screw	3.734
21.	SCREW & LOCK WASHER — Air horn	3.763	62.	SCREW — Slow idle adjusting	3.734
22.	AIR HORN ASSY.	3.763	63.	LEVER — Throttle	3.731
23.	BAR — Reinforcing	3.763	64.	WASHER — Throttle lever nut	3.731
24. (B, C	GASKET — Air horn	3.765	65.	NUT — Throttle lever	3.731
25.	ROD — Pump	3.782	66.	SPRING — Throttle lever return	3.731
26. (B	PIN — Cotter	3.778	67.	ROD — Volume restrictor	3.753
27.	SPRING — Pump stem	3.779	68.	SCREW — Main body	3.748
28. (B	PISTON & STEM ASSY.	3.778	68A	WASHER — Main body lock	3.748
29. (B	JET ASSY. — Pump by-pass	3.757	69.	BLEEDER — High speed	3.751
29A (B, C	GASKET — Pump by-pass jet	3.757	70. (B	TUBE — Idle	3.752
30.	FLOAT & LEVER ASSY.	3.773	71. (B	PLUG — Main body	3.767
31. (B	SPRING — Float fulcrum pin	3.775	72. (B, C	GASKET — Power by-pass jet	3.757
32.	PIN — Float fulcrum	3.775	73. (B	JET — Power by-pass	3.757
33. (B	CLIP — Strainer screen	3.787	74.	PISTON — Vacuum power	3.788
34. (B	SCREEN — Pump strainer	3.787	75. (B	PLUG — Main body (long)	3.767
35.	BODY ASSY. — Main	3.748	76. (B	PLUG — Main body (short)	3.767
36. (B	VALVE ASSY. — Pump check	3.784	77.	BRACKET — Throttle cable support	3.731
37. (B, C	GASKET — Plug	3.784	78.	SCREW — Bracket attaching	3.731
38.	PLUG — Check valve	3.784	79.	SPRING — Choke shaft anti-buzz	3.791

NOTE: (B Included in Repair Kit, Group 3.725
(C Included in Gasket Kit, Group 3.724



CARBURETTOR – TWO BARREL

4.2 Litre Engine – Bendix

EXPLODED VIEW

USED WITHOUT EVAPORATIVE EMISSION CONTROL – EXPORT

CARBURETTOR — TWO BARREL

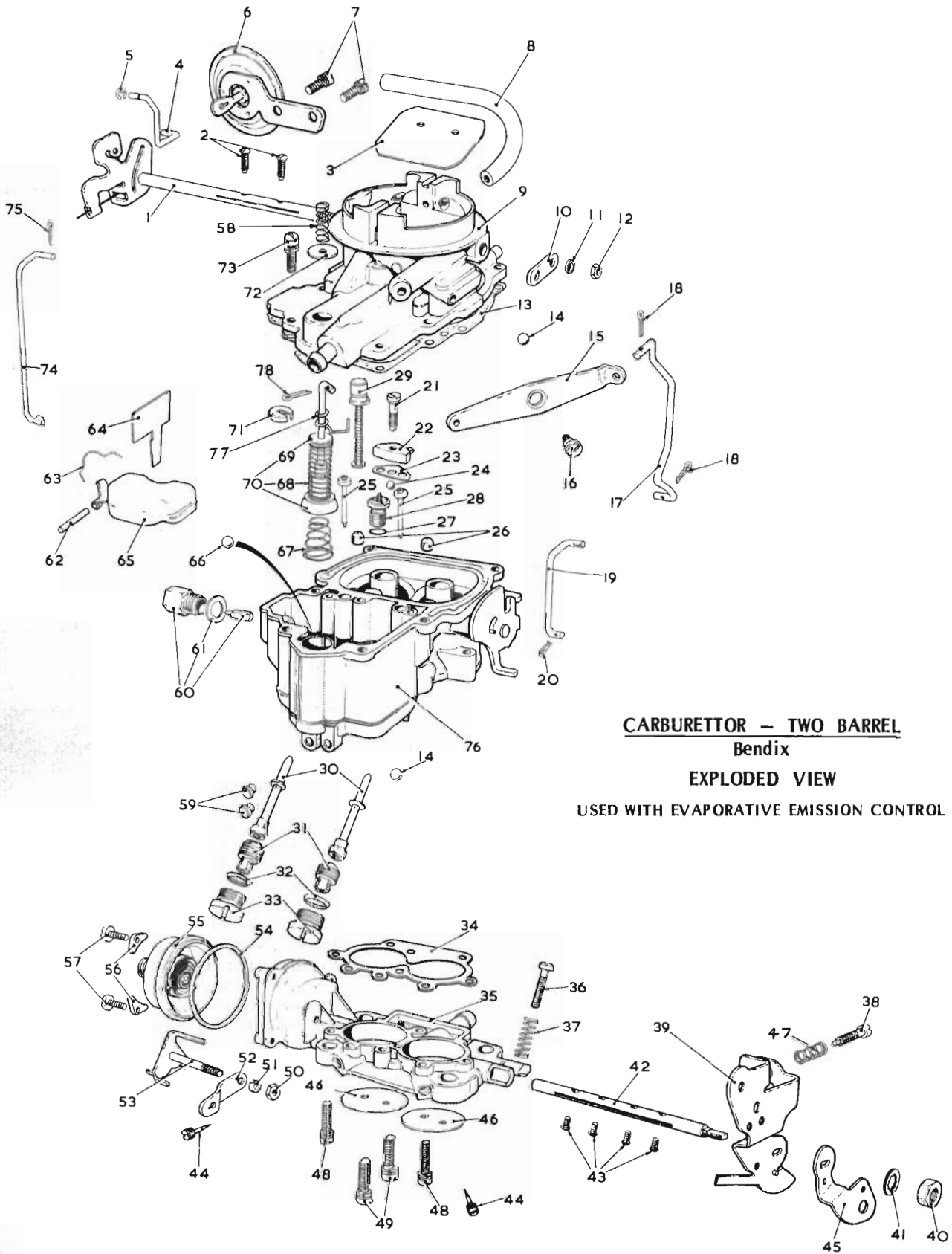
4.2 Litre Engine — Bendix

USED WITHOUT EVAPORATIVE EMISSION CONTROL — EXPORT

ILLUSTRATION OPPOSITE

ILLUS. REF. NO.	PART NAME	GROUP	ILLUS. REF. NO.	PART NAME	GROUP
1-76	CARBURETTOR ASSEMBLY	3.725	38.	SCREW — Fast idle	3.737
1.	SHAFT & LEVER ASSY. — Choke	3.791	39.	LEVER — Throttle	3.731
2.	SCREW — Choke valve	3.789	40.	NUT — Throttle lever	3.731
3.	VALVE — Choke	3.789	41.	WASHER — Throttle lever nut	3.731
4.	ROD — Choke kick	3.799	42.	SHAFT — Throttle	3.731
5.	RETAINER — Choke kick rod	3.799	43.	SCREW — Throttle valve	3.729
6.	DIAPHRAGM ASSEMBLY — Choke kick	3.799	44. (A)	VALVE — Idle needle	3.741
7.	SCREW — Diaphragm attaching	3.799	45.	LEVER — Throttle cable	3.731
8.	HOSE — Vacuum	3.799	46.	VALVE — Throttle	3.729
9.	AIR HORN ASSEMBLY	3.763	47.	SPRING — Fast idle screw	3.737
10.	LEVER — Fast idle	3.792	48.	SCREW & LOCK WASHER — Throttle body	3.748
11.	WASHER — Lever attaching nut	3.792	49.	SCREW & LOCK WASHER — Throttle body	3.748
12.	NUT — Lever attaching	3.792	50.	NUT — Thermostat lever	3.797
13. (B)	GASKET — Air horn	3.765	51.	WASHER — Thermostat lever	3.797
14.	PLUG — Lead ball	3.767	52.	LEVER — Thermostat	3.797
15.	LEVER — Pump	3.780	53.	LEVER & SHAFT ASSY. — Thermostat	3.797
16.	SCREW — Pump lever	3.781	54. (B)	GASKET — Thermostat cover	3.796
17.	ROD — Pump	3.783	55.	COVER ASSEMBLY — Thermostat	3.796
18. (B)	PIN — Cotter	3.783	56.	WASHER — Thermostat cover	3.796
19.	ROD — Fast idle	3.793	57.	SCREW — Thermostat cover	3.796
20.	CLIP — Fast idle rod	3.793	59.	PLUG — Drive	3.767
21.	SCREW — Pump nozzle	3.759	60. (A)	VALVE & SEAT ASSEMBLY — Float	3.771
22.	NOZZLE — Pump	3.758	61.	GASKET — Float needle seat	3.772
23. (B)	GASKET — Pump nozzle	3.758	62.	PIN — Float fulcrum	3.775
24.	BALL — Pump outlet check	3.760	63.	SPRING — Float fulcrum pin	3.775
25. (A)	TUBE — Idle	3.752	64.	BAFFLE — Float chamber	3.776
26.	BLEEDER — High speed	3.751	65.	FLOAT & LEVER ASSEMBLY	3.773
27.	GASKET — Power by-pass jet	3.757	66.	BALL — Pump inlet check	3.760
28. (A)	JET — Power by-pass	3.757	67.	SPRING — Pump bottom	3.779
29.	PISTON — Vacuum power	3.788	68.	SPRING — Pump duration	3.779
30.	JET — Main discharge	3.754	69.	WASHER — Duration spring retainer	3.779
31. (A)	JET — Main metering	3.754	70. (A)	PISTON ASSEMBLY — Pump	3.778
32. (B)	GASKET — Metering jet plug	3.756	71.	WASHER — Duration spring clip	3.779
33.	PLUG — Main metering jet	3.755	72.	WASHER — Idle vent seal	3.764
34. (B)	GASKET — Main body	3.749	73.	SCREW & LOCK WASHER — Air horn	3.763
35.	BODY ASSEMBLY — Throttle	3.727	74.	ROD — Choke	3.798
36.	SCREW — Slow idle	3.734	75.	PIN — Cotter	3.798
37.	SPRING — Slow idle screw	3.734	76.	BODY ASSEMBLY — Main	3.748
			77.	PIN — Cotter	3.778

NOTE: (A) Included in Repair Kit Group 3.725
 (B) Included in Gasket Kit Group 3.724



CARBURETTOR - TWO BARREL
Bendix

EXPLODED VIEW

USED WITH EVAPORATIVE EMISSION CONTROL

CARBURETTOR — TWO BARREL TYPE

Bendix

4.2 LITRE ENGINE

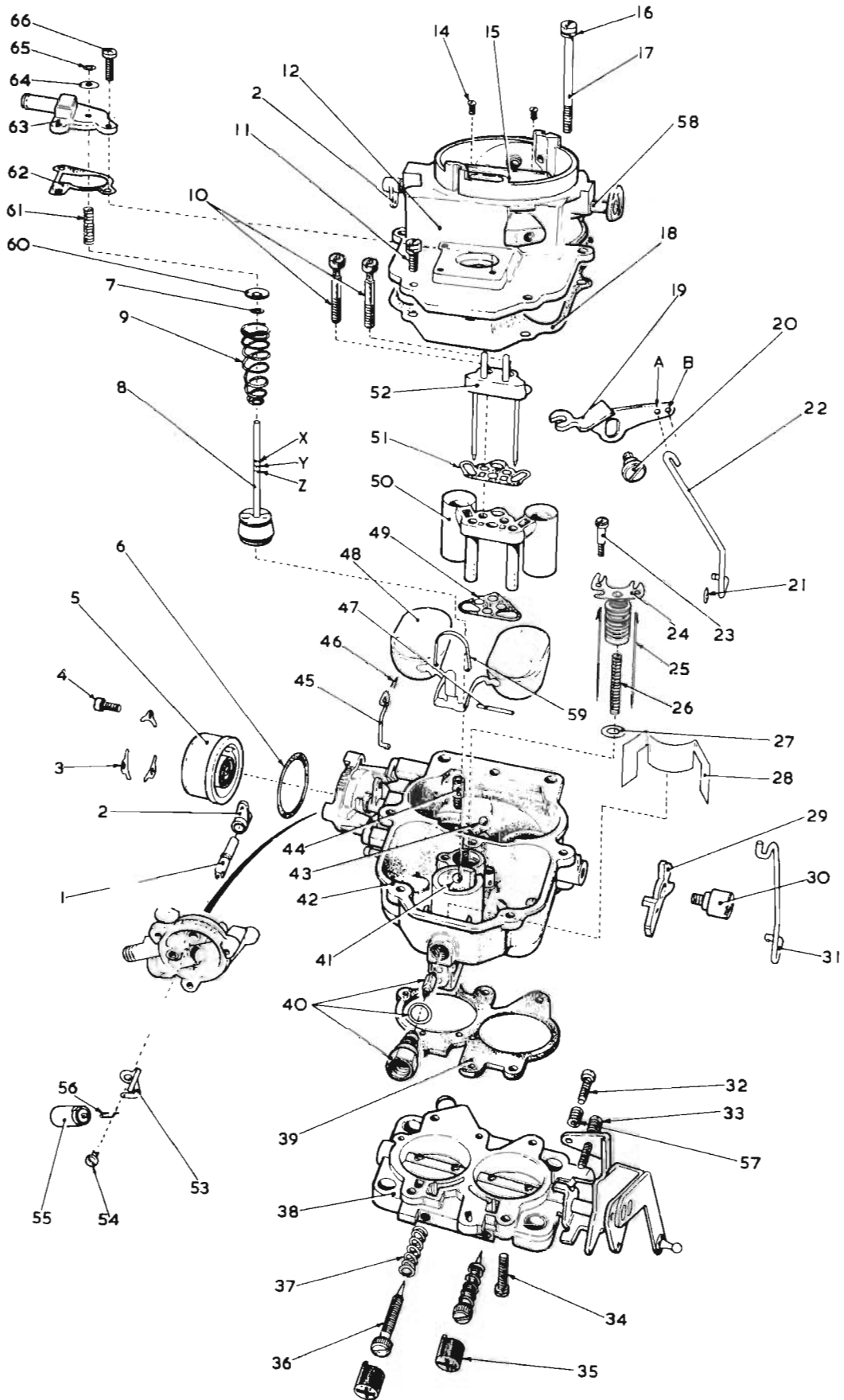
USED WITH EVAPORATIVE EMISSION CONTROL

ILLUSTRATION OPPOSITE

ILLUS. REF. NO.	PART NAME	GROUP	ILLUS. REF. NO.	PART NAME	GROUP
1 - 78.	CARBURETTOR ASSY.	3.725	40.	NUT - Throttle lever	3.731
1.	SHAFT & LEVER ASSY. - Choke	3.791	41.	WASHER - Throttle lever nut	3.731
2.	SCREW - Choke valve	3.789	42.	SHAFT - Throttle	3.731
3.	VALVE - Choke	3.789	43.	SCREW - Throttle valve	3.729
4.	ROD - Choke kick	3.799	44.(B)	VALVE - Idle needle	3.741
5.	RETAINER - Choke kick rod	3.799	45.	LEVER - Throttle cable	3.731
6.	DIAPHRAGM ASSY. - Choke kick	3.799	46.	VALVE - Throttle	3.729
7.	SCREW - Diaphragm attaching	3.799	47.	SPRING - Fast idle screw	3.737
8.	HOSE - Vacuum	3.799	48.	SCREW & LOCK WASHER - Throttle body	3.748
9.	AIR HORN ASSY.	3.763	49.	SCREW & LOCK WASHER - Throttle body	3.748
10.	LEVER - Fast idle	3.792	50.	NUT - Thermostat lever	3.797
11.	WASHER - Lever attaching nut	3.792	51.	WASHER - Thermostat lever	3.797
12.	NUT - Lever attaching	3.792	52.	LEVER - Thermostat	3.797
13.(B,C)	GASKET - Air horn	3.765	53.	LEVER & SHAFT ASSY. - Thermostat ...	3.797
14.	PLUG - Lead ball	3.767	54.	GASKET - Thermostat cover	3.796
15.	LEVER - Pump	3.780	55.	COVER ASSY. - Thermostat	3.796
16.	SCREW - Pump lever	3.781	56.	WASHER - Thermostat cover	3.796
17.	ROD - Pump	3.783	57.	SCREW - Thermostat cover	3.796
18.(B)	PIN - Cotter	3.783	58.	SPRING - Vent valve external	3.764
19.	ROD - Fast idle	3.793	59.	PLUG - Drive	3.767
20.(B)	CLIP - Fast idle rod	3.793	60.(B)	VALVE & SEAT ASSY. - Float	3.771
21.	SCREW - Pump nozzle	3.759	61.(B,C)	GASKET - Float needle seal	3.772
22.	NOZZLE - Pump	3.758	62.	PIN - Float fulcrum	3.775
23.	GASKET - Pump nozzle	3.758	63.	SPRING - Float fulcrum pin	3.775
24.	BALL - Pump outlet check	3.760	64.	BAFFLE - Float chamber	3.776
25.(B)	TUBE - Idle	3.752	65.	FLOAT & LEVER ASSY.	3.773
26.	BLEEDER - High speed	3.751	66.(B)	BALL - Pump inlet check	3.760
27.(B,C)	GASKET - Power by-pass jet	3.757	67.(B)	SPRING - Pump bottom	3.779
28.(B)	JET - Power by-pass	3.757	68.(B)	SPRING - Pump duration	3.779
29.(B)	PISTON - Vacuum power	3.788	69.	WASHER - Duration spring retainer	3.779
30.	JET - Main discharge	3.754	70.(B)	PISTON ASSY. - Pump	3.778
31.(B)	JET - Main metering	3.754	71.	WASHER - Duration spring clip	3.779
32.(B,C)	GASKET - Metering jet plug	3.756	72.	WASHER - Idle vent seal	3.764
33.(B)	PLUG - Main metering jet	3.755	73.	SCREW & LOCK WASHER - Air horn	3.763
34.(B,C)	GASKET - Main body	3.749	74.	ROD - Choke	3.798
35.	BODY ASSY. - Throttle	3.727	75.	PIN - Cotter	3.798
36.	SCREW - Slow idle	3.734	76.	BODY ASSY. - Main	3.748
37.	SPRING - Slow idle screw	3.734	77.	LIFTER - Idle vent valve	3.764
38.	SCREW - Fast idle	3.737	78.(B)	PIN - Cotter	3.778
39.	LEVER - Throttle	3.731			

NOTE: (B) Included in Repair Kit - Group 3.725
 (C) Included in Gasket Kit - Group 3.724

TORANA "LX" PARTS CATALOGUE



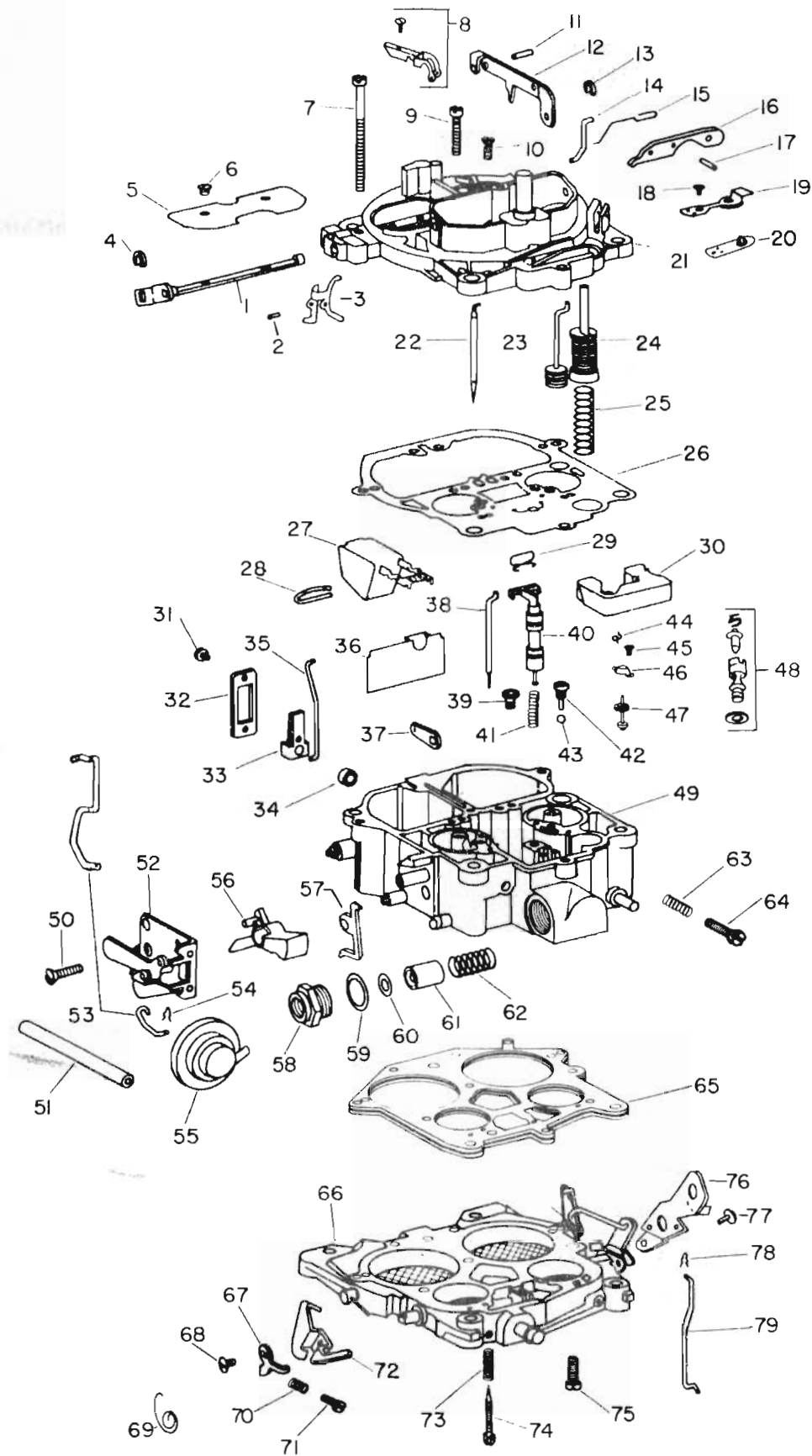
**EVAPORATIVE EMISSION CONTROL
CARBURETTOR – TWO BARRELTYP
EMAIL
4.2 Litre Engine**



ILLUSTRATION OPPOSITE

ILLUS. REF. NO.	PART NAME	GROUP	ILLUS. REF. NO.	PART NAME	GROUP
1-66	CARBURETTOR ASSY.	3.725	34.	SCREW – Main body	3.748
1.	SHAFT – Thermostat	3.797	35.	CAP – Limiter	3.741
2. (C)	LEVER	3.791/3.797	36. (C)	VALVE – Idle needle	3.741
3.	RETAINER – Thermostat	3.796	37. (C)	SPRING – idle needle valve	3.742
4.	SCREW – Thermostat	3.796	38.	BODY ASSY. – Throttle	3.727
5.	THERMOSTAT ASSY.	3.796	39. (A, B)	GASKET – Main body	3.749
6. (A, B)	GASKET – Thermostat cover	3.796	40. (C)	VALVE & SEAT ASSY. – Float	3.771
7.	CLIP – Pump piston retainer	3.778	41. (B)	BALL – Inlet check	3.760
8. (C)	PISTON ASSY. – Pump	3.778	42.	BODY ASSY. – Main	3.748
9. (C)	SPRING – Pump duration	3.779	43. (B)	BALL – Outlet check	3.760
10. (C)	SCREW – Venturi	3.786	44. (C)	JET – Main metering	3.754
11.	SCREW – Air horn	3.763	45.	ROD – Choke	3.798
12.	AIR HORN ASSY.	3.763	46. (B)	CLIP – Choke rod	3.798
14.	SCREW – Choke valve	3.789	47.	PIN – Float fulcrum	3.775
15.	VALVE – Choke	3.789	48.	FLOAT ASSY.	3.773
16.	WASHER – Air horn attaching screw.....	3.763	49. (A, B)	GASKET – Venturi cluster – Lower..	3.786
17.	SCREW – Air horn	3.763	50.	VENTURI ASSY.	3.786
18. (A, B)	GASKET – Air horn	3.765	51. (A, B)	GASKET – Venturi cluster – Upper..	3.786
19.	LEVER – Pump	3.780	52.	COVER ASSY. – Venturi	3.786
20.	SCREW – Pump lever	3.781	53.	LEVER – Modulating piston	3.796
21. (B)	CLIP – Pump rod	3.783	54.	SCREW – Modulating piston	3.796
22.	ROD – Pump	3.783	55.	PISTON ASSY. – Modulating	3.796
23. (C)	SCREW – Step up piston	3.788	56.	LINK – Modulating piston	3.796
24. (C)	PISTON ASSY. – Step up	3.788	57.	SPRING – Fast idle screw	3.737
25. (C)	ROD – Metering	3.752	58. (C)	SHAFT ASSY. – Choke	3.791
26. (C)	SPRING – Step up piston	3.788	59. (C)	RETAINER – Float fulcrum ..	3.775
27. (A, B)	GASKET – Step up piston	3.788	60. ' 1	VALVE – Bowl vent	3.764
28.	BAFFLE – Float chamber	3.776	61.	SPRING – Bowl vent	3.764
29.	CAM – Fast idle	3.735	62.	GASKET – Bowl vent cover	3.764
30.	SCREW – Fast idle cam	3.735	63.	COVER – Bowl vent	3.764
31.	ROD – Fast idle	3.793	64.	WASHER – Bowl vent spring	3.764
32.	SCREW – Fast idle	3.737	65.	CLIP – Bowl vent washer retainer....	3.764
33.	SCREW – Slow idle	3.734	66.	SCREW – Vent cover to air horn	3.764

NOTE: (A) Included in Gasket Kit, Group 3.724
 (B) Included in Minor Repair Kit, Group 3.725
 (C) Included in Major Repair Kit, Group 3.725



CARBURETTOR – FOUR BARREL TYPE

**ROCHESTER
5 Litre Engines**

ILLUSTRATION OPPOSITE

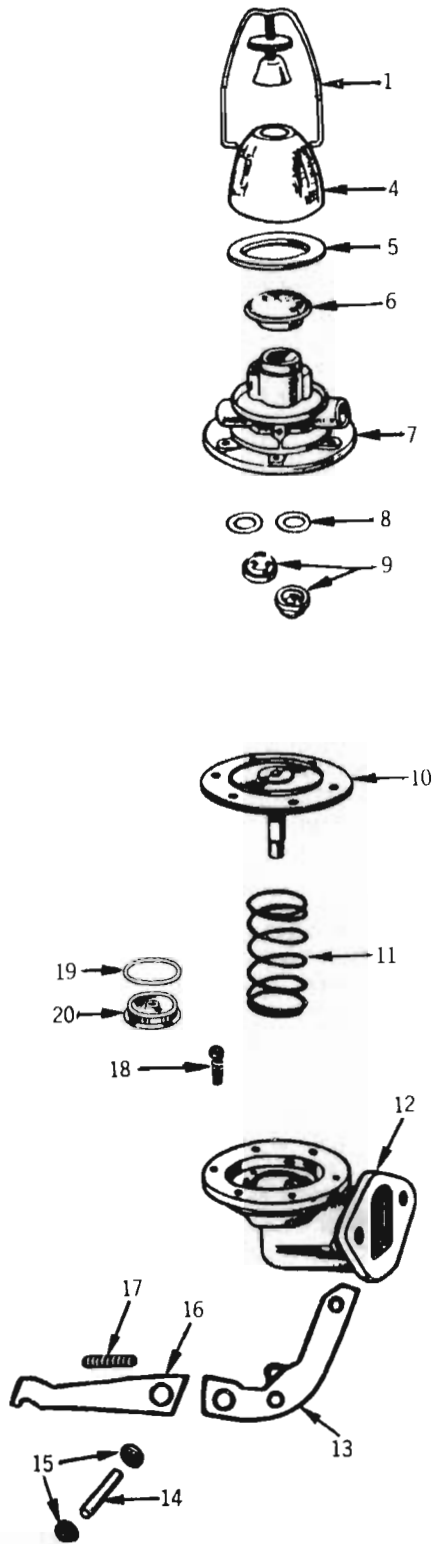
ILLUS. REF. NO.	PART NAME	GROUP	ILLUS. REF. NO.	PART NAME	GROUP
1-79	CARBURETTOR ASSY.	3.725	40.	PISTON ASSY. – Power	3.788
1.	SHAFT and LEVER ASSY. – Choke	3.791	41.	SPRING – Power piston	3.788
2. (B, C)	PIN – Spring 3/32" x 7/16"	3.780	42.	RETAINER – Discharge ball	3.760
3.	LOCK OUT LEVER – Air valve	N.S.S.	43. (B, C)	BALL – Pump discharge	3.760
4. (B, C)	CLIP – Choke rod	3.798	44.	PART OF FLOAT BOWL ASSY.	N.S.S.
5.	CHOKE VALVE KIT	3.764	45.	PART OF FLOAT BOWL ASSY.	N.S.S.
6.	SCREW – Valve attaching	3.789	46.	PART OF FLOAT BOWL ASSY.	N.S.S.
7.	SCREW – Air horn	3.763	47.	PART OF FLOAT BOWL ASSY.	N.S.S.
8.	SECONDARY METERING ROD HOLDER KIT	N.S.S.	48. (B, C)	NEEDLE VALVE & SEAT ASSY.	3.771
9.	SCREW – Air horn	3.763	49.	BODY ASSY. – Main	3.748
10.	SCREW – Air horn	3.763	50.	SCREW – Diaphragm attaching	3.799
11. (B, C)	PIN – Spring, 3/32" x 7/16"	3.780	51.	HOSE – Vacuum	3.799
12.	PART OF AIR HORN	N.S.S.	52.	BRACKET ASSY. – Diaphragm	N.S.S.
13. (B, C)	CLIP – Vacuum brake rod	N.S.S.	53.	ROD – Diaphragm control	3.799
14.	PART OF AIR HORN	N.S.S.	54.	CLIP – Control rod	3.799
15. (A)	PART OF CHOKE VALVE KIT	N.S.S.	55.	DIAPHRAGM ASSY.	3.799
16. (A)	LEVER – Pump actuating	N.S.S.	56.	CAM – Fast idle	3.735
17.	PIN – Spring, 3/32" x 7/16"	8.941	57.	LEVER – Secondary lockout	3.798
18. (A)	SCREW – Idle vent valve	N.S.S.	58.	NUT – Fuel filter	3.890
19. (A)	VALVE – Idle vent	N.S.S.	59. (C, D)	GASKET – Inlet nut	3.890
20.	PART OF AIR HORN	N.S.S.	60. (D)	GASKET – Fuel filter	N.S.S.
21.	AIR HORN ASSEMBLY	3.763	61.	FILTER – Inlet fuel	3.890
22. (C)	ROD – Secondary metering	3.806	62.	SPRING – Fuel filter	3.890
23.	PART OF FLOAT BOWL ASSY.	N.S.S.	63.	SPRING – Idle needle valve	3.742
24. (B, C)	PISTON ASSEMBLY – Pump	3.778	64.	VALVE – Idle needle	3.741
25. (C)	SPRING – Pump return	3.779	65. (B, C, D)	GASKET – Main body	N.S.S.
26. (B, C, D)	GASKET – Air horn	3.765	66.	BODY ASSY. – Throttle	3.727
27.	FLOAT and LEVER ASSY.	3.773	67.	LEVER – Fast idle	3.735
28.	PIN – Float fulcrum	3.775	68.	SCREW – Fast idle & cam levers	3.735
29.	SPRING – Metering rod	3.810	69.	SPRING – Cam follower lever	N.S.S.
30.	INSERT – Main body	3.762	70.	SPRING – Fast idle screw	3.737
31.	SCREW – Cover attaching	N.S.S.	71.	SCREW – Fast idle adjusting	3.737
32.	COVER – Idle compensator	N.S.S.	72.	LEVER – Cam follower	3.735
33.	IDLE COMPENSATOR ASSY.	N.S.S.	73.	SPRING – Idle needle valve	3.742
34. (B, C, D)	GASKET – Idle compensator	N.S.S.	74. (C)	VALVE – Idle needle	3.741
35.	ROD – Choke	3.798	75.	SCREW – Throttle body	3.748
36.	BAFFLE – Float chamber	3.776	76.	PART OF THROTTLE BODY ASSY.	N.S.S.
37.	LEVER – Choke intermediate	3.791	77.	PART OF THROTTLE BODY ASSY.	N.S.S.
38. (C)	ROD – Primary metering	3.806	78.	CLIP – Pump rod	3.783
39. (C)	JET – Primary metering	3.754	79.	ROD – Pump	3.783

NOTE: (A) Parts are included in Choke Valve Kit refer Illustration Reference No. 5

NOTE: (B) Parts are included in Minor Overhaul Kit refer Group 3.725

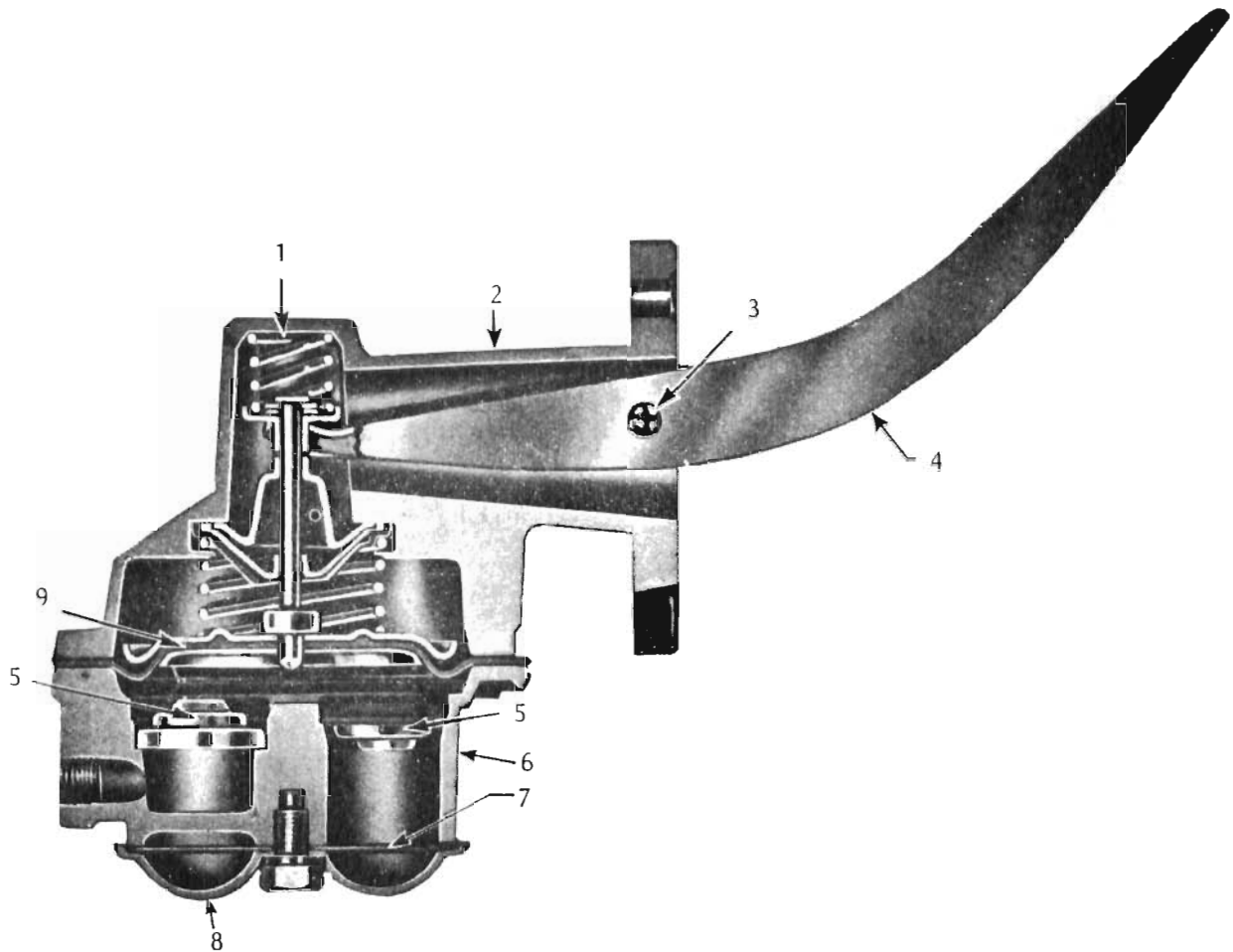
NOTE: (C) Parts are included in Major Overhaul Kit refer Group 3.725

NOTE: (D) Parts are included in Gasket Kit refer Group 3.724.



FUEL PUMP
6 Cylinder Engine

ILLUS. REF. NO.	PART NAME	GROUP
1.	BAIL AND SCREW	3.906
4.	BOWL	3.903
5.	GASKET	3.904
6.	SCREEN ASSEMBLY	3.929
7.	COVER	3.910
8.	GASKET	3.913
9.	VALVE AND CAGE ASSEMBLY	3.909
10.	DIAPHRAGM AND PULL ROD ASSEMBLY....	3.925
11.	SPRING	3.927
12.	BODY	3.902
13.	ARM	3.920
14.	PIN	3.921
15.	PLUG	3.921
16.	LINK	3.931
17.	SPRING	3.922
18.	SCREW AND WASHER	3.910
19.	WASHER - Seal	3.902
20.	SEAL	3.902



FUEL PUMP

8 Cyl. Eng.

Illus. Ref. No.	Part Name	Group	Illus. Ref. No.	Part Name	Group
1.	SPRING — Rocker arm	3.922	6.	COVER ASSEMBLY	3.910
2.	BODY	3.902	7.	PULSATOR — Diaphragm	3.926
3.	PIN — Rocker arm	3.921	8.	PLATE — Pulsator cover	3.926
4.	ARM — Rocker	3.920	9.	DIAPHRAGM & PULL ROD ASSEMBLY	3.925
5.	VALVE ASSEMBLY	3.909			

TORANA "LX" PARTS CATALOGUE

GROUP	DESCRIPTION	BOOM	MODEL	SIDE	PART No.	QTY.
3.001 TANK – Fuel						
	TANK	ALL			(³⁴ 2824105	1
	TANK	ALL			(³⁵ 9934250	1
	BRACKET – Tank mounting front	ALL			(³⁴ 2823484	2
	BRACKET – Tank mounting rear	ALL			(³⁴ 9939703	2
	BRACKET – Tank mounting front	ALL			(³⁵ 2823484	1
	BRACKET – Tank and separator mounting	ALL			(³⁵ 9936917	1
	STRAP – Tank support	ALL			2823999	2
	BOLT – Front support	ALL			SP2186	2
	NUT – Front support	ALL			SP2220	2
	WASHER – Front support	ALL			120394	2
	NUT – Front support lock	ALL			124829	2
	SCREW – Rear support	ALL			9422176	2
	GUARD PACKAGE – Stone	ALL			9932512	1
	GUARD – Stone	ALL			9932168	1
	BRACKET – Stone guard front	ALL			9932087	2
	BRACKET – Stone guard front centre	ALL			9932169	1
	BRACKET – Stone guard, LH	ALL			9932089	1
	BRACKET – Stone guard, RH	ALL			9932088	1
	NUT – Front bracket to fuel tank mounting bolt	ALL			124829	2
	BOLT – Centre support bracket to stone guard	ALL			159920	1
	NUT – Centre support bracket to stone guard	ALL			120361	1
	WASHER – Centre support bracket to stone guard	ALL			SP2442	1
	SCREW – Support bracket to stone guard	ALL			9414723	9
	WASHER – Support bracket to stone guard	ALL			SP2122	9
3.003 PIPE, HOSE – Fuel tank filler and vent						
	PIPE ASSY. – Filler	ALL			(³⁴ 2824103	1
	PIPE – Filler	ALL			(³⁵ 9934256	1
	PIPE – Vent upper, RH	ALL			(³⁴ 2824104	1
	PIPE – Vent lower, RH	ALL			(³⁴ 2824101	1
	PIPE – Vent upper, LH	ALL			(³⁴ 9931687	1
	PIPE – Vent lower, LH	ALL			(³⁴ 9930621	1
	PIPE – Vent	ALL		LH	(³⁵ 9931753	1
				RH	(³⁵ 9931754	1
	HOSE – Vent pipe	ALL			(³⁴ 9928895	2
	CLAMP – Hose	ALL			(³⁴ 7441715	4
	PIPE – Rear vent lower	ALL			9931683	1
	HOSE – Rear vent	ALL			3933330	1
	CLAMP – Hose	ALL			3786276	2-4
	PROTECTOR – Filler pipe	ALL			9930686	1
	PROTECTOR – Vent pipe	8 Cyl. Eng.			(³⁵ 9937632	1-2
	<i>CLIP- VENT PIPES TO UNDERBODY</i>	<i>ALL</i>			<i>(34 9937636</i>	<i>2</i>
3.028 CAP – Fuel tank filler						
	CAP ASSY.	ALL			(³⁴ 9931707	1
	CAP ASSY.	ALL			(³⁵ 410431	1
	CAP ASSY. – Locking	ALL			(³⁴ 9929784	1
	CAP ASSY. – Locking	ALL			(³⁵ 9936087	1
3.107 GAUGE – Fuel tank unit						
	GAUGE ASSY.	ALL			9932281	1
	CAM – Fuel gauge tank unit retainer	ALL			3774937	1
3.110 STRAINER – Fuel tank riser pipe						
	STRAINER	ALL			2824038	1
3.112 SEAL – Fuel gauge tank unit						
	SEAL	ALL			7421765	1

Note: (³⁴ Use without fuel evaporative emission control.
(³⁵ Use with fuel evaporative emission control.

TORANA "LX" PARTS CATALOGUE

GROUP	DESCRIPTION	MODEL	SIDE	PART No.	QTY.
3.120 SEPARATOR – Fuel – Evaporative Emission Control					
	SEPARATOR ASSY.	ALL		9936791	1
	BRACKET - Mounting	ALL		9934269	1
	SCREW & WASHER	ALL		SP2483	2
3.120 PIPE, HOSE – Fuel tank to separator – Evaporative Emission Control					
	PIPE - Fuel tank front vent R.H.	ALL		9931752	1
	HOSE - Separator to L.H. front pipe	ALL		9938208	1
	CLAMP - Hose to separator and fuel tank	ALL		3786275	2
	HOSE - Separator to R.H. front pipe	ALL		7415658	1
	CLAMP - Hose to separator and pipe	ALL		3786275	2
	HOSE - Separator to R.H. rear pipe	ALL		9432886	1
	CLAMP - Hose to pipe	ALL		3786276	2
	PIPE - Fuel tank to separator front	ALL	RH	9931820	1
	PIPE - Fuel tank to separator rear	ALL	RH	9931822	1
	HOSE - Fuel tank to R.H. front pipe	ALL		9935174	1
	CLAMP - Hose to pipe and fuel tank	ALL		3786275	2
	HOSE - Fuel tank to R.H. rear pipe	ALL		9935175	1
	CLAMP - Hose to pipe and fuel tank	ALL		3786276	2
	HOSE - Separator to vapour pipe	ALL		7415658	1
	CLAMP - Hose to separator and pipe	ALL		3786275	2
3.120 PIPE, HOSE – Fuel separator to canister – Evaporative Emission Control					
	PIPE - Separator to canister	ALL		9937772	1
	CLIP - Pipe to floor pan	ALL		9934502	3
	CLIP - Pipe to underbody	ALL		9937636	1
	CLIP - Vent pipe	ALL		9935173	1
	CLIP - Pipe to floor pan	ALL		9930835	1
	CLIP - Vapour pipe to side rail	ALL		SP2367	3
	HOSE - Vapour pipe to canister	ALL		9937771	1
	CLAMP - Hose to pipe and canister	ALL		3786275	2
3.120 HOSE HARNESS, TEE – Canister to engine – Evaporative Emission Control					
	HOSE HARNESS - Canister to engine	4 Cyl. Eng.		9939018	1
	TEE - Ported vacuum	4 Cyl. Eng.		3015492	1
	HOSE HARNESS - Canister to engine	(M) 6 Cyl. Eng.		9937686	1
	HOSE HARNESS - Canister to engine	(A) 6 Cyl. Eng.		9937685	1
	TEE - Ported vacuum	(M) 6 Cyl. Eng.		3028858	1
	TEE - P.C.V.	6 Cyl. Eng.		3970076	1
	STRAP - Harness securing	6 Cyl. Eng.		7436769	1
	HOSE HARNESS - Canister to engine	(M) 4.2 Litre Eng.		⁽²⁶⁾ 9937689	1
	HOSE HARNESS - Canister to engine	(M) 4.2 Litre Eng.		⁽²⁷⁾ 9937783	1
	HOSE HARNESS - Canister to engine	(A) 4.2 Litre Eng.		⁽²⁶⁾ 9937784	1
	HOSE HARNESS - Canister to engine	(A) 4.2 Litre Eng.		⁽²⁷⁾ 9937785	1
	TEE - Ported vacuum	(M) 4.2 Litre Eng.		3028858	1
	TEE - P.C.V.	4.2 Litre Eng.		3970076	1
	STRAP - Harness securing	4.2 Litre Eng.		7436769	1
	HOSE HARNESS - Canister to engine	(M) 5 Litre Eng.		9937691	1
	HOSE HARNESS - Canister to engine	(A) 5 Litre Eng.		9937690	1
	TEE - Ported vacuum	(M) 5 Litre Eng.		3028858	1
	TEE - P.C.V.	5 Litre Eng.		3970076	1
	STRAP - Harness securing	5 Litre Eng.		7436769	1
3.130 CANISTER, SUPPORT – Fuel vapour – Evaporative Emission Control					
	CANISTER	ALL		7030758	1
	ELEMENT - Canister filter	ALL		7026014	1
	SCREW - Canister to panel	ALL		9422037	1
	ELEMENT - Canister	ALL		7026014	1
	CAP - Canister sealing	4 Cyl. Eng.		9937549	1
	CAP - Canister sealing	5 Litre Eng.		9937549	1
	CAP - Canister drain	ALL		7021697	1
Note:	⁽²⁶⁾ Use with Bendix carburettor.				
	⁽²⁷⁾ Use with Email carburettor				

K.T. 7041344,

TORANA "LX" PARTS CATALOGUE

GROUP	DESCRIPTION	ROOM	MODEL	SIDE	PART No.	QTY.
3.130	CANISTER, SUPPORT – Fuel vapour – Evaporative Emission Control (contd.)					
	SUPPORT ASSEMBLY	ALL			9932854	1
	SUPPORT	ALL			9937775	3
	RING - Support	ALL			9937714	1
3.158	PIPE – Fuel					
	PIPE ASSY - Fuel tank to pump	ALL			9928883	1
	PIPE - Fuel auxiliary	4 Cyl. Eng. exc. Air Cond.			9931388	1
	PIPE - Fuel auxiliary	4 Cyl. Eng. Air Cond.			0030106	1
	CLIP - Fuel pipe	ALL			SP2367	2
3.163	HOSE - Fuel line					
	HOSE - Fuel pipe to pump	4 Cyl. Eng.			2825213	1
	HOSE - Fuel pipe auxiliary fuel pipe	4 Cyl. Eng.			7434211	1
	HOSE - Fuel pipe to pump	6 Cyl. Eng.			7434211	1
	HOSE - Fuel pipe to pump	ALL			9930868	1
	HOSE - Fuel pipe to tank	ALL			2815522	1
	CLAMP - Hose	ALL			3786275	6-4
	CONNECTOR - Fuel hose to fuel pump	6 Cyl. Eng.			3750685	1
	CONNECTOR - Fuel hose to fuel pump	8 Cyl. Eng.			7435003	1
3.201	PIPE – Carburettor fuel					
	PIPE ASSY. - With ring	4 Cyl. Eng.			820410	1
	PIPE ASSY.	6 Cyl. Eng.			7426211	1
	PIPE ASSY.	4.2 Litre Eng.			(²⁶ 9930601)	1
	PIPE ASSY.	4.2 Litre Eng.			(²⁷ 9936961)	1
	PIPE ASSY.	5 Litre Eng.			9930599	1
3.202	FUEL PIPE FITTINGS					
	CLIP - Fuel pipe to oil pump	4 Cyl. Eng.			SP2503	1
	CLIP - Fuel pipe to air cond. support bracket	4 Cyl. Eng. Air Cond.			SP2052	1
	CLIP - Fuel & brake pipes to engine side rail	ALL			2806758	1
	CLIP - Fuel pipe to floor pan	ALL			(³⁵ 9930835)	1
	CLIP - Fuel & brake pipes to u/body side member ..	ALL			9939636 (2806758)	1
	CLIP - Fuel pipe	6 Cyl. Eng.			7423305	1
	CLIP - Fuel pipe to rear quarter	ALL			2823630	2
	CLIP - Fuel & brake pipes to underbody	ALL			9939422 (9930835)	1
	CLIP - Fuel & brake pipes to engine side rail	ALL			SP2357	2-4
	NUT - Pipe	6, 8 Cyl. Eng.			137398	2
	ELBOW - Fuel pipe to pump	6 Cyl. Eng.			116341	1
	ELBOW - Fuel pipe to pump	8 Cyl. Eng.			143343	1
3.260	HOSE, INLET, CLAMP – Inlet manifold water					
	HOSE - Inlet	6 Cyl. Eng. exc. Air Cond.			9928722	1
	HOSE - Inlet	6 Cyl. Eng. Air Cond.			2815207	1
	HOSE - Inlet	4.2 Litre Eng.			2820471	1
	HOSE - Inlet	5 Litre Eng.			2820472	1
	INLET	5 Litre Eng.			2820473	1
	BOLT - Inlet to manifold (1/4" - 20 x 7/8")	5 Litre Eng.			456632	1
	BOLT - Inlet to manifold (1/4" - 20 x 1/2")	5 Litre Eng.			121926	1
	WASHER - Inlet to manifold bolt	5 Litre Eng.			120380	2
	HOSE - Outlet	6 Cyl. Eng.			(² 2820830)	1
	HOSE - Outlet	4.2 Litre Eng.			(² 2822947)	1
	HOSE - Outlet	5 Litre Eng.			(² 2822948)	1
	CLAMP - Hose, 1.03" dia	6, 8 Cyl. Eng.			SP1610	A.R.
	CLAMP - Outlet hose	6 Cyl. Eng.			(² 7433806)	1

Note: (² When heater not fitted.
(²⁶ Use with Bendix carburettor.
(²⁷ Use with Email carburettor.
(³⁵ Use with fuel evaporative emission control.

TORANA "LX" PARTS CATALOGUE

GROUP	DESCRIPTION	MODEL	SIDE	PART No.	QTY.
3.261	GASKET - Inlet manifold water inlet				
	GASKET	5 Litre Eng.		2808164	1
3.265	MANIFOLD - Inlet				
	MANIFOLD	(M) 4 Cyl. Eng.		850229	1
	MANIFOLD - Less studs	(A) 4 Cyl. Eng.		850236	1
	MANIFOLD	6 Cyl. Eng.		2825869	1
	MANIFOLD	4.2 Litre Eng.		9928684	1
	MANIFOLD	5 Litre Eng.		9929854	1
	PLUG - Auto hex. hd. 1/4"	(M) 6 Cyl. Eng. exc. Air Cond.		444819	1
	PLUG - Expansion	6 Cyl. Eng.		9419378	1
3.265	ADAPTOR, CONNECTOR - Inlet manifold vacuum source				
	ADAPTOR - Single	(M) 4 Cyl. Eng. Drum Brakes, Air Cond. exc. Fuel Econ. Lamp		(³⁴ 9939653)	1
	ADAPTOR - Single	(M) 4 Cyl. Eng. Disc Brakes exc. Air Cond., Fuel Econ. Lamp		(³⁴ 9938776)	1
	ADAPTOR - Single	(M) 4 Cyl. Eng. Drum Brakes, Fuel Econ. Lamp exc. Air Cond.		(³⁴ 9939653)	1
	ADAPTOR - 2 way	(M) 4 Cyl. Eng. Disc Brakes, Air Cond. exc. Fuel Econ. Lamp.		(³⁴ 9938774)	1
	ADAPTOR - 2 way	(M) 4 Cyl. Eng. Disc Brakes, Fuel Econ. Lamp exc. Air Cond.		(³⁴ 9938774)	1
	ADAPTOR - 3 way	(M) 4 Cyl. Eng. Disc Brakes, Air Cond., Fuel Econ. Lamp		(³⁴ 9938775)	1
	ADAPTOR - Single	(A) 4 Cyl. Eng. Drum Brakes exc. Air Cond., Fuel Econ. Lamp.		(³⁴ 9939653)	1
	ADAPTOR - 2 way	(A) 4 Cyl. Eng. Drum Brakes, Air Cond. exc. Fuel Econ. Lamp		(³⁴ 9935652)	1
	ADAPTOR - 2 way	(A) 4 Cyl. Eng. Disc Brakes exc. Air Cond., Fuel Econ. Lamp		(³⁴ 9938774)	1
	ADAPTOR - 2 way	(A) 4 Cyl. Eng. Drum Brakes, Fuel Econ. Lamp exc. Air Cond.		(³⁴ 9939652)	1
	ADAPTOR - 3 way	(A) 4 Cyl. Eng. Disc Brakes, Air Cond. exc. Fuel Econ. Lamp.		(³⁴ 9938775)	1
	ADAPTOR - 3 way	(A) 4 Cyl. Eng. Disc Brakes, Fuel Econ. Lamp exc. Air Cond.		(³⁴ 9938775)	1
	ADAPTOR - 4 way	(A) 4 Cyl. Eng. Disc Brakes, Air Cond., Fuel Econ. Lamp.		(³⁴ 9939728)	1
	ADAPTOR - Single	(M) 4 Cyl. Eng. Drum Brakes exc. Air Cond., Fuel Econ. Lamp		(³⁵ 9939653)	1
	ADAPTOR - 2 way	(M) 4 Cyl. Eng. Drum Brakes, Air Cond. exc. Fuel Econ. Lamp		(³⁵ 9939652)	1
	ADAPTOR - 2 way	(M) 4 Cyl. Eng. Drum Brakes, Fuel Econ. Lamp exc. Air Cond.		(³⁵ 9939652)	1
	ADAPTOR - 2 way	(M) 4 Cyl. Eng. Disc Brakes exc. Air Cond., Fuel Econ. Lamp		(³⁵ 9938774)	1
	ADAPTOR - 3 way	(M) 4 Cyl. Eng. Disc Brakes, Air Cond. exc. Fuel Econ. Lamp		(³⁵ 9938775)	1
	ADAPTOR - 3 way	(M) 4 Cyl. Eng. Disc Brakes, Fuel Econ. Lamp exc. Air Cond.		(³⁵ 9938775)	1
	ADAPTOR - 4 way	(M) 4 Cyl. Eng. Disc Brakes, Air Cond., Fuel Econ. Lamp		(³⁵ 9939728)	1
	ADAPTOR - 2 way	(A) 4 Cyl. Eng. Drum Brakes, Air Cond. exc. Fuel Econ. Lamp		(³⁵ 9939652)	1
	ADAPTOR - 3 way	(A) 4 Cyl. Eng. Disc Brakes exc. Air Cond., Fuel Econ. Lamp		(³⁵ 9938775)	1
	ADAPTOR - 3 way	(A) 4 Cyl. Eng. Drum Brakes, Air Cond. exc. Fuel Econ. Lamp		(³⁵ 9939651)	1
	ADAPTOR - 3 way	(A) 4 Cyl. Eng. Drum Brakes, Fuel Econ. Lamp exc. Air Cond.		(³⁵ 9939651)	1

Note: (³⁴ Use without fuel evaporative emission control.
(³⁵ Use with fuel evaporative emission control.

TORANA "LX" PARTS CATALOGUE

GROUP	DESCRIPTION	MODEL	SIDE	PART No.	QTY.
3.265	ADAPTOR, CONNECTOR – Inlet manifold vacuum source (contd.)				
	ADAPTOR – 4 way	(A) 4 Cyl. Eng. Disc Brakes, Air Cond. exc. Fuel Econ. Lamp		(³⁵ 9939728)	1
	ADAPTOR – 4 way	(A) 4 Cyl. Eng. Disc Brakes, Fuel Econ. Lamp exc. Air Cond.		(³⁵ 9939728)	1
	ADAPTOR – 5 way	(A) 4 Cyl. Eng. Disc Brakes, Air Cond., Fuel Econ. Lamp		(³⁵ 9940948)	1
	TUBE – Vacuum connecting	4 Cyl. Eng.		851804	1
	ELBOW	(A) 4 Cyl. Eng.		850254	1
	ADAPTOR – Single	(M) 6 Cyl. Eng. Drum Brakes, Air Cond. exc. Fuel Econ. Lamp, Remote Control Deck Lid Lock		2819593	1
	ADAPTOR – Single	(M) 6 Cyl. Eng. Drum Brakes Fuel Econ. Lamp exc. Air Cond., Remote Control Deck Lid Lock		2819593	1
	ADAPTOR – Single	(M) 6 Cyl. Eng. Disc Brakes exc. Air Cond, Fuel Econ. Lamp, Remote Control Deck Lid Lock		2820727	1
	ADAPTOR – 2 way	(M) 6 Cyl. Eng. Disc Brakes exc. Fuel Econ. Lamp, Remote Control Deck Lid Lock		9930189	1
	ADAPTOR – 2 way	(M) 6 Cyl. Eng. Disc Brakes, Fuel Econ. Lamp exc. Air Cond. Remote Control Deck Lid Lock		9930189	1
	ADAPTOR – 2 way	(M) 6 Cyl. Eng. Drum Brakes, Fuel Econ. Lamp, Remote Control Deck Lid Lock		9930191	1
	ADAPTOR – 2 way	(M) 6 Cyl. Eng. Disc Brakes, Remote Control Deck Lid Lock exc. Air Cond, Fuel Econ Lamp		9930193	1
	ADAPTOR – 3 way	(M) 6 Cyl. Eng. Disc Brakes, Air Cond, Fuel Econ. Lamp exc. Remote Control Deck Lid Lock		9930192	1
	ADAPTOR – 3 way	(M) 6 Cyl. Eng. Drum Brakes, Air Cond., Fuel Econ. Lamp, Remote Control Deck Lid Lock		9932680	1
	ADAPTOR – 3 way	(M) 6 Cyl. Eng. Disc Brakes, Fuel Econ. Lamp, Remote Control Deck Lid Lock, exc. Air Cond.		9930195	1
	ADAPTOR – Single	(A) 6 Cyl. Eng. Drum Brakes exc. Air Cond., Fuel Econ. Lamp, Remote Control Deck Lid Lock		2819593	1
	ADAPTOR – 2 way	(A) 6 Cyl. Eng. Drum Brakes, Air Cond. exc. Fuel Econ. Lamp, Remote Control Deck Lid Lock		9930190	1
	ADAPTOR – 2 way	(A) 6 Cyl. Eng. Drum Brakes, Fuel Econ. Lamp exc. Air Cond, Remote Control Deck Lid Lock		9930190	1
	ADAPTOR – 2 way	(A) 6 Cyl. Eng. Disc Brakes exc. Air Cond, Fuel Econ. Lamp, Remote Control Deck Lid Lock.		9930189	1
	ADAPTOR – 3 way	(A) 6 Cyl. Eng. Disc Brakes, Air Cond exc. Fuel Econ. Lamp, Remote Control Deck Lid Lock		9930192	1
	ADAPTOR – 3 way	(A) 6 Cyl. Eng. Disc Brakes, Fuel Econ. Lamp exc. Air Cond, Remote Control Deck Lid Lock		9930192	1
	ADAPTOR – 3 way	(A) 6 Cyl. Eng. Disc Brakes, Remote Control Deck Lid Lock exc. Air Cond., Fuel Econ Lamp		9930195	1
	ADAPTOR – 3 way	(A) 6 Cyl. Eng. Drum Brakes, Fuel Economy Lamp, Remote Control Deck Lid Lock exc. Air Cond.		9932680	1

Note: (³⁵ Use with fuel evaporative emission control.

TORANA "LX" PARTS CATALOGUE

GROUP	DESCRIPTION	MODEL	SIDE	PART No.	QTY.
3.265	ADAPTOR, CONNECTOR – Inlet manifold vacuum source (contd.)				
	ADAPTOR – 4 way	(A) 6 Cyl. Eng. Disc Brakes, Air Cond., Fuel Econ. Lamp exc. Remote Control Deck Lid Lock		9940931	1
	ADAPTOR – 4 way	(A) 6 Cyl. Eng. Disc Brakes, Fuel Econ. Lamp, Remote Control Deck Lid Lock exc. Air Cond.		9932681	1
	ADAPTOR – 2 way	(M) 8 Cyl. Eng. exc. Air Cond., Fuel Econ. Lamp		9930194	1
	ADAPTOR – 3 way	(M) 8 Cyl. Eng. Air Cond exc. Fuel Econ. Lamp		9930196	1
	ADAPTOR – 3 way	(M) 8 Cyl. Eng. Fuel Econ. Lamp exc. Air Cond.		9930196	1
	ADAPTOR – 3 way	(A) 8 Cyl. Eng. exc. Air Cond, Fuel Econ. Lamp		9930196	1
	ADAPTOR – 4 way	(A) 8 Cyl. Eng. Air Cond. exc. Fuel Econ. Lamp		9930197	1
	ADAPTOR – 4 way	(A) 8 Cyl. Eng. Fuel Econ. Lamp exc. Air Cond.		9930197	1
	ADAPTOR – 5 way	(A) 8 Cyl. Eng. Air Cond. Fuel Econ. Lamp		9940934	1
	CONNECTOR	Power Brakes		2820727	1
3.270	GASKET SET, GASKET – Manifold				
	GASKET – Inlet & exhaust	4 Cyl. Eng.		850700	1
	GASKET SET	6 Cyl. Eng.		7430496	1
	GASKET – Inlet manifold	8 Cyl. Eng.		7435140	2
	RETAINER – Inlet manifold gasket	8 Cyl. Eng.		7435071	4
	SEAL – Inlet manifold front	8 Cyl. Eng.		7434979	1
	SEAL – Inlet manifold rear	8 Cyl. Eng.		7434980	1
3.273	CLAMP – Manifold				
	CLAMP – Small	6 Cyl. Eng.		7420151	4
	CLAMP – Large	6 Cyl. Eng.		3789898	2
3.275	BOLT, STUD, NUT – Inlet and exhaust manifold				
	BOLT – Exhaust pipe to manifold	4 Cyl. Eng.		2000508	6
	WASHER – Exhaust pipe to manifold	4 Cyl. Eng.		2080305	3
	WASHER – Exhaust pipe to manifold	4 Cyl. Eng.		766275	3
	STUD – Inlet and exhaust manifold	6 Cyl. Eng.		7429476	4
	NUT – Inlet and exhaust manifold	6 Cyl. Eng.		103026	4
	BOLT – Inlet and exhaust manifold	6 Cyl. Eng.		179843	2
	STUD – Manifold locating	6 Cyl. Eng.		3835487	2
	STUD – Exhaust pipe to manifold	6 Cyl. Eng.		7414906	2
	NUT – Exhaust pipe to manifold	6 Cyl. Eng.		3829086	2-4
	BOLT – Inlet manifold to cylinder head	8 Cyl. Eng.		9427729	14
	BOLT – Exhaust manifold to cylinder head	8 Cyl. Eng.		106331	12
	PLATE – Exhaust manifold bolt locating	8 Cyl. Eng.		7437450	4
	WASHER – Exhaust manifold to cylinder head	8 Cyl. Eng.		3836710	12
	STUD – Exhaust pipe to manifold	8 Cyl. Eng.		7437291	4
	NUT – Exhaust pipe to manifold	8Cyl. Eng.		102635	4
	WASHER – Exhaust pipe to manifold	8 Cyl. Eng.		108580	4
3.288	STUD, NUT – Carburettor to manifold				
	STUD	4 Cyl. Eng.		2056069	4
	NUT	4 Cyl. Eng.		2064231	4
	WASHER	4 Cyl. Eng.		2074152	4
	STUD	6 Cyl. Eng.		7429464	2
	NUT	6 Cyl. Eng.		120369	2
	STUD	8 Cyl. Eng.		SP 1763	2-5
	NUT – Carburettor to inlet manifold	8 Cyl. Eng.		120368	2-4
	BOLT – Carburettor to inlet manifold	5 Litre Eng.		188154	2

TORANA "LX" PARTS CATALOGUE

GROUP	DESCRIPTION	MODEL	SIDE	PART No.	QTY.
3.402	AIR CLEANER and SILENCER, TRANSFER				
	AIR CLEANER & SILENCER ASSY.	4 Cyl. Eng.		9940585	1
	AIR CLEANER & SILENCER ASSY.	6 Cyl. Eng.		9935024	1
	AIR CLEANER & SILENCER ASSY. - Heavy duty	6 Cyl. Eng.		9934675	1
	AIR CLEANER & SILENCER ASSY.	4.2 Litre Eng. exc. Air Cond.		9931794	1
	AIR CLEANER & SILENCER ASSY.	4.2 Litre Eng. Air Cond.		9933638	1
	AIR CLEANER & SILENCER ASSY.	5 Litre Eng. exc. Air Cond.		9931795	1
	AIR CLEANER & SILENCER ASSY.	5 Litre Eng. Air Cond.		9933637	1
3.403	ROD, CLAMP, BRIDGE, GASKET - Air cleaner				
	CLAMP	4 Cyl. Eng.		9931514	1
	ROD	4, 6 Cyl. Eng.		7419668	1
	CLAMP	6 Cyl. Eng.		7419667	1
	WASHER - Rod to clamp	4, 6 Cyl. Eng.		9414320	1
	BRIDGE ASSY.	4.2 Litre Eng.		⁽²⁶⁾ 9940548	1
	BRIDGE ASSY.	4.2 Litre Eng.		⁽²⁷⁾ 7437297	1
	GASKET - Air cleaner to carburettor	4.2 Litre Eng.		3708408	1
	GASKET - Air cleaner to carburettor	5 Litre Eng.		3919812	1
3.410	ELEMENT, CLIP, NUT, BREATHER - Air cleaner				
	ELEMENT	4, 6 Cyl. Eng.		7422739	1
	ELEMENT - Heavy duty cleaner	6 Cyl. Eng.		9934169	1
	NUT - Wing 1/4"	4, 6 Cyl. Eng.		SP1352	1
	BREATHER ASSY.	6 Cyl. Eng.		9940554	1
	RETAINER - Breather	6 Cyl. Eng.		6420265	1
	ELEMENT	8 Cyl. Eng.		7437298	1
	GASKET - Air cleaner	8 Cyl. Eng.		7437296	1
	STUD	5 Litre Eng.		2809100	1
	NUT - Wing 1/4"-20	8 Cyl. Eng.		SP1352	1
	BREATHER ASSY.	8 Cyl. Eng.		9940554	1
	RETAINER - Breather	8 Cyl. Eng.		6420265	1
3.415	VALVE, DIAPHRAGM, DAMPER & VALVE - Air cleaner pre-heat				
	VALVE & SHIELD ASSY. - Thermal	4, 8 Cyl. Eng.		6484242	1
	FASTENER - Valve to air cleaner	8 Cyl. Eng.		6484435	1
	HOSE - Thermal valve vacuum	8 Cyl. Eng.		7436713	1
	HOSE - Thermal valve to vacuum source	8 Cyl. Eng.		7437623	1
	DIAPHRAGM ASSY.	8 Cyl. Eng.		6484245	1
	RETAINER - Diaphragm	8 Cyl. Eng.		6424498	1
	PIN - Diaphragm assy. to air cleaner inlet	8 Cyl. Eng.		6424450	1
	DAMPER & VALVE ASSY.	8 Cyl. Eng.		6486638	1
3.417	STOVE, HOSE, TUBE - Air pre-heat				
	STOVE ASSY.	8 Cyl. Eng.		9930721	1
	BOLT & WASHER - Stove to manifold	8 Cyl. Eng.		SP2047	1
	HOSE - Stove to air cleaner	8 Cyl. Eng.		9928341	1
	TUBE - Air cleaner vacuum	5 Litre Eng.		2808035	1
3.430	COMPONENTS - Throttle control linkage				
	LEVER & PIVOT ASSY. - Accelerator pedal	4 Cyl. Eng.		9933378	1
	PIVOT - Accelerator pedal	4 Cyl. Eng.		9933319	1
	NUT - Pivot to mounting bracket	4 Cyl. Eng.		120375	1
	WASHER - Pivot to mounting bracket, lock	4 Cyl. Eng.		120380	1
	WASHER - Pivot to mounting bracket, flat	(M) 4 Cyl. Eng.		120392	1
	NUT - Pivot to accelerator lever	4 Cyl. Eng.		120375	1
	WASHER - Pivot to accelerator lever, lock	4 Cyl. Eng.		120380	1
	WASHER - Pivot to accelerator lever, flat	4 Cyl. Eng.		120392	1
	CABLE ASSY. - Throttle	4 Cyl. Eng.		9930680	1
	RETAINER - Cable assy.	4 Cyl. Eng.		9928398	1
	GROMMET - Cable insulator	4 Cyl. Eng.		9928399	1
	BRACKET - Cable retainer	4 Cyl. Eng.		9937238	1
Note:	⁽²⁶⁾ Use with Bendix carburettor.				
	⁽²⁷⁾ Use with Email carburettor.				

TORANA "LX" PARTS CATALOGUE

GROUP	DESCRIPTION	MODEL	SIDE	PART No.	QTY.
3.430	COMPONENTS – Throttle control linkage (contd.)				
	BOLT – Bracket to manifold 8 mm x 1.25 x 15 mm ...	4 Cyl. Eng.		2018101	1
	BOLT – Bracket to manifold 6 mm x 1 x 12 mm	4 Cyl. Eng.		2000103	1
	WASHER – Bracket to manifold	4 Cyl. Eng.		120380	1
	BEARING – Bracket to shaft & lever	4 Cyl. Eng.		9938967	1
	SHAFT & LEVER ASSY.	4 Cyl. Eng.		9937237	1
	WASHER – Lever anti-rattle	4 Cyl. Eng.		SP1328	1
	STUD – Cable to lever	4 Cyl. Eng.		3924414	1
	NUT – Stud to lever	4 Cyl. Eng.		120375	1
	WASHER – Stud to lever	4 Cyl. Eng.		121637	1
	LEVER & PIVOT ASSY. – Accelerator pedal	6 Cyl. Eng.	RIGHT HAND DRIVE	9933378	1
			LEFT HAND DRIVE	9933377	1
	PIVOT – Accelerator pedal	6 Cyl. Eng.		9933319	1
	NUT – Pivot to mounting bracket	6 Cyl. Eng.		120375	1
	WASHER – Pivot to mounting bracket, lock	6 Cyl. Eng.		120380	1
	WASHER – Pivot to mounting bracket, flat	(M) 6 Cyl. Eng.		120392	1
	NUT – Pivot to accelerator pedal	6 Cyl. Eng.		120375	1
	WASHER – Pivot to accelerator lever, lock	6 Cyl. Eng.		120380	1
	WASHER – Pivot to accelerator lever, flat	6 Cyl. Eng.		120392	1
	CABLE ASSY. – Throttle	6 Cyl. Eng.		9929774	1
	RETAINER – Cable assy.	6 Cyl. Eng.		9928398	1
	GROMMET – Cable insulator	6 Cyl. Eng.		9928399	1
	WASHER – Lever anti-rattle	6 Cyl. Eng.		SP1328	1
	LEVER & PIVOT ASSY. – Accelerator pedal	8 Cyl. Eng.	RIGHT HAND DRIVE	9933483	1
			LEFT HAND DRIVE	9933482	1
	PIVOT – Accelerator pedal	8 Cyl. Eng.		9933319	1
	NUT – Pivot to mounting bracket	8 Cyl. Eng.		120375	1
	WASHER – Pivot to mounting bracket, lock	8 Cyl. Eng.		120380	1
	WASHER – Pivot to mounting bracket, flat	(M) 8 Cyl. Eng.		120392	1
	NUT – Pivot to accelerator lever	8 Cyl. Eng.		120375	1
	WASHER – Pivot to accelerator lever, lock	8 Cyl. Eng.		120380	1
	WASHER – Pivot to accelerator lever, flat	8 Cyl. Eng.		120392	1
	CABLE ASSY. – Throttle	8 Cyl. Eng.		9928918	1
	RETAINER – Cable assy.	8 Cyl. Eng.		9928398	1
	GROMMET – Cable insulator	8 Cyl. Eng.		9928399	1
	STRAP – Cable to radiator hose	8 Cyl. Eng. exc. Air Cond.		⁽³⁴⁾ 7436769	1
	STRAP – Cable to radiator hose	8 Cyl. Eng. exc. Air Cond.		⁽³⁵⁾ SP2583	1
	BRACKET – Cable retaining	4.2 Litre Eng.		9928659	1
	BRACKET – Cable retaining	5 Litre Eng.		9929238	1
	BOLT – Bracket to manifold	8 Cyl. Eng.		SP2073	1
	LEVER – Accelerator control	8 Cyl. Eng.	LEFT HAND DRIVE	9930974	1
	LEVER – Carburettor	5 Litre Eng.		9929281	1
	BOLT – Lever to carburettor	5 Litre Eng.		120854	1
	WASHER – Lever to carburettor	5 Litre Eng.		121637	1
	NUT – Lever to carburettor	5 Litre Eng.		120375	1
	WASHER – Lever anti-rattle	8 Cyl. Eng.		SP1328	1
	STUD – Cable to lever	8 Cyl. Eng.		3924414	1
	WASHER – Stud to lever	8 Cyl. Eng.		121637	1
	NUT – Stud to lever	8 Cyl. Eng.		120375	1
3.451	PEDAL – Accelerator				
	PEDAL	ALL		2815916	1
	PIN – Pedal to lever	ALL		2814047	1
3.459	SPRING – Accelerator				
	SPRING – Pedal tension	ALL		3909982	1
	SPRING – Return	4 Cyl. Eng.		9931660	1
	SPRING – Return	4.2 Litre Eng.		9933951	1
	SPRING – Return	5 Litre Eng.		9933839	1
	BRACKET – Return spring	4.2 Litre Eng.		9928658	1
	BRACKET – Return spring	5 Litre Eng.		9929239	1
	BOLT – Bracket to manifold	8 Cyl. Eng.		SP2073	1
Note:	⁽³⁴⁾ Use without fuel evaporative emission control.				
	⁽³⁵⁾ Use with fuel evaporative emission control.				

TORANA "LX" PARTS CATALOGUE

GROUP	DESCRIPTION	MODEL	SIDE	PART No.	QTY.
3.521 CONTROL – Choke					
	CONTROL ASSY.	6 Cyl. Eng.	RIGHT HAND DRIVE	2829796	1
			LEFT HAND DRIVE	2829798	1
	GROMMET – Choke control to dash panel	6 Cyl. Eng.		SP2500	1
3.601 MANIFOLD – Exhaust					
	MANIFOLD ASSY.	4 Cyl. Eng.		850317	1
	BRACKET – Manifold	4 Cyl. Eng.		850866	1
	SCREW – Bracket	4 Cyl. Eng.		2002150	1
	MANIFOLD ASSY.	6 Cyl. Eng.		7429514	1
	MANIFOLD ASSY.	8 Cyl. Eng.	LH	9930044	1
			RH	7436026	1
3.603 HOSE, PIPE, TUBE, BAFFLE, INSULATOR – Automatic choke heat					
	HOSE – Inlet	8 Cyl. Eng.		2813033	1
	PIPE – Air inlet	8 Cyl. Eng.		2808136	1
	CLIP – Air inlet pipe to rocker cover	8 Cyl. Eng.		2825954	1
	TUBE – Exhaust manifold choke	8 Cyl. Eng.		3814026	1
	BAFFLE – Choke heat tube	8 Cyl. Eng.		2805461	1
	PIPE – Air heat	4.2 Litre Eng.		⁽²⁶⁾ 2811625	1
	PIPE – Air heat	4.2 Litre Eng.		⁽²⁷⁾ 9930544	1
	PIPE – Air heat	5 Litre Eng.		2811626	1
	INSULATOR – Air heat pipe	8 Cyl. Eng.		⁽³⁴⁾ 2811627	1
	NUT – Air heat pipe	8 Cyl. Eng.		190863	1
	CLIP – Pipe	8 Cyl. Eng.		2805402	2
	TUBE	8 Cyl. Eng.		3814026	1
3.609 PIPE – Exhaust					
	PIPE ASSY.	4 Cyl. Eng.		9933598	1
	SCREW – Pipe to manifold	4 Cyl. Eng.		2000215	6
	PIPE ASSY.	6 Cyl. Eng.		2824347	1
	PIPE ASSY.	4.2 Litre Eng. Single Exhaust	LH	9931801	1
			RH	9931802	1
	PIPE ASSY	8 Cyl. Eng. Dual Exhaust	LH	9930270	1
			RH	9930216	1
3.610 FLANGE – Exhaust pipe packing					
	FLANGE	6 Cyl. Eng.		7429539	1
	FLANGE	8 Cyl. Eng.		7437199	2
3.611 PACKING, GASKET – Exhaust pipe					
	PACKING	4 Cyl. Eng.		854838	1
	PACKING	6 Cyl. Eng.		7429532	1
3.616 CLAMP, BOLT – Exhaust pipe					
	CLAMP – Pipe to muffler	4 Cyl. Eng.		2811858	1
	BOLT – Pipe to muffler	4 Cyl. Eng.		2811859	1
	WASHER – Bolt, lock	4 Cyl. Eng.		120382	A.R.
	WASHER – Bolt, flat	4 Cyl. Eng.		SP1612	A.R.
	NUT – Bolt	4 Cyl. Eng.		120369	A.R.
	CLAMP & BOLT PACKAGE	4 Cyl. Eng.		2818406	1
	CLAMP – Pipe to muffler	6 Cyl. Eng.		9932576	1
	BOLT – Pipe to muffler	6 Cyl. Eng.		9932574	1
	WASHER – Bolt, lock	6 Cyl. Eng.		120382	A.R.
	WASHER – Bolt, flat	6 Cyl. Eng.		SP1612	A.R.
	NUT – Bolt	6 Cyl. Eng.		120369	A.R.
	CLAMP & BOLT PACKAGE	6 Cyl. Eng.		9933149	1
	CLAMP – Pipe to muffler	4.2 Litre Eng. Single Exhaust		9932576	1
	BOLT – Pipe to muffler	4.2 Litre Eng. Single Exhaust		9932574	1
	WASHER – Bolt, lock	4.2 Litre Eng. Single Exhaust		120382	A.R.
Note:	⁽²⁶⁾ Use with Bendix carburettor.				
	⁽²⁷⁾ Use with Email carburettor.				
	⁽³⁴⁾ Use without fuel evaporative emission control.				

TORANA "LX" PARTS CATALOGUE

GROUP	DESCRIPTION	MODEL	SIDE	PART No.	QTY.
3.616	CLAMP, BOLT – Exhaust pipe (contd.)				
	WASHER - Bolt, flat	4.2 Litre Eng. Single Exhaust		SP1612	A.R.
	NUT - Bolt	4.2 Litre Eng. Single Exhaust		120369	A.R.
	CLAMP & BOLT PACKAGE	4.2 Litre Eng. Single Exhaust		9933149	1
	CLAMP - RH to LH pipe	4.2 Litre Eng. Single Exhaust		7405970	1
	BOLT - RH to LH pipe	4.2 Litre Eng. Single Exhaust		7405971	1
	WASHER - Bolt, lock	4.2 Litre Eng. Single Exhaust		120382	A.R.
	WASHER - Bolt, flat	4.2 Litre Eng. Single Exhaust		SP1612	A.R.
	NUT	4.2 Litre Eng. Single Exhaust		120369	A.R.
	CLAMP & BOLT PACKAGE	4.2 Litre Eng. Single Exhaust		9933150	1
	CLAMP - Pipe to muffler	8 Cyl. Eng. Dual Exhaust		7433738	2
	BOLT - Pipe to muffler	8 Cyl. Eng. Dual Exhaust		7433737	2
	WASHER - Bolt, lock	8 Cyl. Eng. Dual Exhaust		120382	2
	WASHER - Bolt, flat	8 Cyl. Eng. Dual Exhaust		SP1612	2
	NUT	8 Cyl. Eng. Dual Exhaust		120369	2
	CLAMP & BOLT PACKAGE	8 Cyl. Eng. Dual Exhaust		7436220	2
	CLAMP - Balance pipe	8 Cyl. Eng. Dual Exhaust		7431992	1
	BOLT - Balance pipe	8 Cyl. Eng. Dual Exhaust		7431993	1
	WASHER - Bolt, lock	8 Cyl. Eng. Dual Exhaust		120382	A.R.
	WASHER - Bolt, flat	8 Cyl. Eng. Dual Exhaust		SP1612	A.P.
	NUT	8 Cyl. Eng. Dual Exhaust		120369	A.R.
	CLAMP & BOLT PACKAGE	8 Cyl. Eng. Dual Exhaust		7436222	1
3.701	MUFFLER				
	MUFFLER ASSY	4 Cyl. Eng.		9930179	1
	MUFFLER ASSY	6 Cyl. Eng.		2820899	1
	MUFFLER ASSY	4.2 Litre Eng. Single Exhaust		2820899	1
	MUFFLER ASSY	8 Cyl. Eng. Dual Exhaust		2825998	2
3.704	BRACKET, INSULATOR, SUPPORT – Muffler				
	BRACKET & HOOK ASSY - Support	4 Cyl. Eng.		9936887	1
	HOOK & PLATE ASSY. - Muffler	4 Cyl. Eng.		9936890	1
	RING - Muffler support	4 Cyl. Eng.		9936891	2
	BRACKET & SUPPORT ASSY. - Upper	6 Cyl. Eng.		9930049	1
	BRACKET & SUPPORT ASSY. - Upper	4.2 Litre Eng. Single Exhaust		9930049	1
	BRACKET & SUPPORT ASSY. - Upper	8 Cyl. Eng. Dual Exhaust	LH	9930049	1
			RH	9930050	1
	BOLT & WASHER ASSY. - Support to body	6, 8 Cyl. Eng.		SP2089	2-4
	BRACKET - Support upper	6, 8 Cyl. Eng.		2819589	1-2
	INSULATOR - Support	6, 8 Cyl. Eng.		2819591	1-2
	SUPPORT	6 Cyl. Eng.		2819590	1
	SUPPORT	4.2 Litre Eng. Single Exhaust		2819590	1
	SUPPORT	8 Cyl. Eng. Dual Exhaust	LH	2825999	1
			RH	2826000	1
3.705	PIPE – Muffler tail				
	PIPE	4 Cyl. Eng.		9930181	1
	PIPE	6 Cyl. Eng. Sedan		2824348	1
	PIPE	6 Cyl. Eng. Hatchback		9939730	1
	PIPE - Extension	6 Cyl. Eng. Hatchback		9939645	1
	PIPE	4.2 Litre Eng. Single Exhaust		2824348	1
	PIPE	8 Cyl. Eng. Dual Exhaust	LH	2825997	1
			RH	2825996	1
3.705	EXTENSION – Exhaust				
	EXTENSION	4 Cyl. Eng.		M37465	1
	EXTENSION	6, 8 Cyl. Eng.		9939730 (M37464)	1-2
3.706	CLAMP, "U" BOLT – Muffler to tail pipe				
	CLAMP	4 Cyl. Eng.		7431992	1
	BOLT	4 Cyl. Eng.		7431993	1
	WASHER - Bolt	4 Cyl. Eng.		120382	A.R.
	NUT - Bolt	4 Cyl. Eng.		120369	A.R.

CHASSIS

TORANA "LX" PARTS CATALOGUE

GROUP	DESCRIPTION	MODEL	SIDE	PART No.	QTY.
3.706	CLAMP, "U" BOLT – Muffler to tail pipe (contd.)				
	CLAMP & BOLT PACKAGE	4 Cyl. Eng.		7436222	1
	CLAMP	6 Cyl. Eng.		2811858	1
	BOLT	6 Cyl. Eng.		2811859	1
	WASHER - Bolt	6 Cyl. Eng.		120382	A.R.
	NUT - Bolt	6 Cyl. Eng.		120369	A.R.
	CLAMP & BOLT PACKAGE	6 Cyl. Eng.		2818406	1
	CLAMP	4.2 Litre Eng. Single Exhaust		2811858	1
	BOLT	4.2 Litre Eng. Single Exhaust		2811859	1
	WASHER - Bolt	4.2 Litre Eng. Single Exhaust		120382	A.R.
	NUT - Bolt	4.2 Litre Eng. Single Exhaust		120369	A.R.
	CLAMP & BOLT PACKAGE	4.2 Litre Eng. Single Exhaust		2818406	1
	CLAMP	8 Cyl. Eng. Dual Exhaust		2811858	2
	BOLT	8 Cyl. Eng. Dual Exhaust		2811859	2
	WASHER - Bolt	8 Cyl. Eng. Dual Exhaust		120382	A.R.
	NUT - Bolt	8 Cyl. Eng. Dual Exhaust		120369	A.R.
	CLAMP & BOLT PACKAGE	8 Cyl. Eng. Dual Exhaust		2818406	2
3.710	BRACKET, INSULATOR, REINFORCEMENT, CLAMP – Tail pipe support				
	BRACKET & INSULATOR ASSY.	ALL		2825925	1-2
	SCREW - Bracket to side frame	ALL		SP2241	1-2
	NUT - Bracket to side frame	8 Cyl. Eng. Dual Exhaust		SP2343	1
	REINFORCEMENT - Insulator	ALL		9929266	1
	CLAMP	4 Cyl. Eng.		9930203	1
	CLAMP	6 Cyl. Eng. Sedan		2815574	1
	CLAMP	6 Cyl. Eng. Hatchback			1
	CLAMP	8 Cyl. Eng.		2815574	1-2
	SPACER - Clamp to insulator	6 Cyl. Eng. Hatchback		9939650	1
	BOLT - Clamp to insulator	4, 8 Cyl. Eng.		SP2274	1-2
	BOLT - Clamp to insulator	6 Cyl. Eng. Sedan		SP2274	1
	BOLT - Clamp to insulator	6 Cyl. Eng. Hatchback		9427638	1
	WASHER - Bolt, flat	4, 8 Cyl. Eng.		120393	1-2
	WASHER - Bolt, lock	4, 8 Cyl. Eng.		120214	1-2
	WASHER - Bolt	6 Cyl. Eng. Sedan		120393	1
	WASHER - Bolt	6 Cyl. Eng. Hatchback		2808133	1
	NUT - Bolt	ALL		120376	1-2
	BOLT - Insulator to tow bar	ALL		456632	2
	WASHER - Insulator to tow bar	ALL		120380	2
	NUT - Insulator to tow bar	ALL		120375	2
3.724	GASKET KIT – Carburettor				
	NOTE: Refer Carburettor Charts for Gasket Kits				
3.725	CARBURETTOR				
	CARBURETTOR ASSY.	(M) 4 Cyl. Eng.		826046	1
	CARBURETTOR ASSY.	(A) 4 Cyl. Eng.		826047	1
	CARBURETTOR ASSY.	(M) 2250 Eng.		9932495	1
	CARBURETTOR ASSY.	(A) 2250 Eng.		9932494	1
	CARBURETTOR ASSY. (Bendix)	(M) 2850 Eng.		⁽³⁴⁾ 9930585	1
	CARBURETTOR ASSY. (Bendix)	(M) 2850 Eng.		⁽³⁵⁾ 9936831	1
	CARBURETTOR ASSY. (Bendix)	(A) 2850 Eng.		⁽³⁴⁾ 9930586	1
	CARBURETTOR ASSY. (Bendix)	(A) 2850 Eng.		⁽³⁵⁾ 9936832	1
	CARBURETTOR ASSY. (Bendix)	(M) 3300 Eng.		⁽³⁴⁾ 9930587	1
	CARBURETTOR ASSY. (Bendix)	(M) 3300 Eng.		⁽³⁵⁾ 9936833	1
	CARBURETTOR ASSY. (Bendix)	(A) 3300 Eng.		⁽³⁴⁾ 9930588	1
	CARBURETTOR ASSY. (Bendix)	(A) 3300 Eng.		⁽³⁵⁾ 9936834	1
	CARBURETTOR ASSY. (Bendix)	(M) 4.2 Litre Eng.		⁽³⁴⁾ 9931463	1
	CARBURETTOR ASSY. (Bendix)	(M) 4.2 Litre Eng.		⁽³⁵⁾ 9936835	1
	CARBURETTOR ASSY. (Email)	(M) 4.2 Litre Eng.		9936841	1
	CARBURETTOR ASSY. (Bendix)	(A) 4.2 Litre Eng.		⁽³⁴⁾ 9931464	1
	CARBURETTOR ASSY. (Bendix)	(A) 4.2 Litre Eng.		⁽³⁵⁾ 9936836	1
Note:	⁽³⁴⁾ Use without fuel evaporative emission control.				
	⁽³⁵⁾ Use with fuel evaporative emission control.				

TORANA "LX" PARTS CATALOGUE

GROUP	DESCRIPTION	MODEL	SIDE	PART No.	QTY.
3.725	CARBURETTOR (contd.)				
	CARBURETTOR ASSY.(Email)	(A) 4.2 Litre Eng.		9936842	1
	CARBURETTOR ASSY.(Rochester)	(M) 5 Litre Eng.		⁽³⁴⁾ 17050641	1
	CARBURETTOR ASSY.(Rochester)	(A) 5 Litre Eng.		⁽³⁴⁾ 17050642	1
	CARBURETTOR ASSY.(Rochester)	5 Litre Eng.		⁽³⁵⁾ 17052795	1
	SHIELD - Carburettor to manifold	4 Cyl. Eng.		850991	1

Note: ⁽³⁴⁾ Use without fuel evaporative emission control.
⁽³⁵⁾ Use with fuel evaporative emission control.

TORANA "LX" PARTS CATALOGUE

4 CYLINDER CARBURETTOR COMPONENTS (SOLEX)				
GROUP	DESCRIPTION CARBURETTOR ASSEMBLY	QTY	PART NUMBERS	
			825043	826047
3.724	GASKET KIT	1	1608238	1608187
3.725	REPAIR KIT	1	1608249	1608210
3.726	GASKET-Flange	1	828445	828445
3.727	BODY ASSY.-Throttle	1	825249	825249
3.731	LEVER-Throttle	1	826624	826624
3.731	SPRING-Throttle lever	1	831141	831141
3.731	WASHER-Throttle shaft inner	1	826839	826839
3.731	WASHER-Throttle shaft intermediate	1	826843	826843
3.731	WASHER-Throttle shaft outer	1	826832	826832
3.731	WASHER-Spring	1	826845	826845
3.731	NUT-Ball	1	826963	826963
3.731	LEVER ASSY.-Transfer	1	831682	831682
3.731	NUT-Transfer lever	1	826961	826961
3.731	WASHER-Transfer lever safety	1	826841	826841
3.731	STUD-Secondary throttle shaft adjusting	1	826725	826725
3.731	NUT-Secondary throttle shaft adjusting	1	826964	826964
3.731	SPRING-Accelerator control rod return	1	846721	
3.731	LEVER-Accelerator control rod return spring	1	844430	
3.734	SCREW-Slow idle adjusting	1	826741	826741
3.734	SPRING-Secondary	1	826777	826777
3.741	SCREW-Idle mixture regulating	1	826768	826768
3.741	CAP-Idle mixture screw	1	827165	
3.741	RING-Idle screw seal	1	2091505	2091505
3.741	SCREW-Air circulation regulation	1	828688	828688
3.741	SPRING-Air circulation screw	1	828774	828774
3.741	SCREW-Air circulation correction	1	828797	
3.748	BODY ASSY.-Main	1	828116	828117
3.748	SCREW-Main body to throttle body	2	826986	826986
3.749	GASKET-Main body	1	828441	828441
3.752	JET-Pass-over (60)	1	828627	828627
3.752	JET-Pass-over air (100)	1	828628	828628
3.752	JET-Idle (52.5)	1	828637	
3.752	JET-Idle (50)	1		828629
3.752	JET-Air correction, primary (150)	1	828575	828575
3.752	JET-Air correction secondary (110)	1	828576	828576
3.754	JET-Main, primary (122.5)	1	828504	828504
3.754	JET-Main, secondary (157.5)	1	828487	828487
3.757	TUBE-Injection	1	828758	828759
3.757	SEAL RING-Injection tube	1	828795	828795
3.757	JET-Enrichment	1	828556	828540

TORANA "LX" PARTS CATALOGUE

4 CYLINDER CARBURETTOR COMPONENTS (SOLEX) (Continued)				
GROUP	DESCRIPTION CARBURETTOR ASSEMBLY	QTY	PART NUMBERS	
			825043	826047
3.757	VALVE-Enrichment	1	830640	830640
3.757	GASKET-Enrichment valve		830692	
3.763	COVER-Float chamber	1	829613	829613
3.763	SCREW-Cover	4	830958	830958
3.763	SCREW-Cover	1	830959	830959
3.763	SCREW-Cover	1	2046101	2046101
3.763	WASHER-Spring	4	2082101	2082101
3.763	WASHER-Lock	1	2074075	2074075
3.764	ROD-Float chamber ventilation valve	1	830181	830181
3.764	SPRING-Upper	1	830852	830852
3.764	SPRING-Lower	1	830853	830853
3.764	WASHER-Upper	1	830975	830975
3.764	WASHER-Lower	1	830971	830971
3.764	WASHER-Safety	1	2080725	2080725
3.765	GASKET-Float chamber cover	1	830836	830831
3.766	VALVE-Hot idle compensator	1	826480	826480
3.766	GASKET-Hot idle compensator valve	1	826852	826852
3.766	SCREW-Hot idle compensator valve	1	2048903	2048903
3.766	VACUUM HOUSING ASSY.	1	831716	831716
3.766	SCREW-Housing attaching	2	2048925	2048925
3.766	SEAL-Housing	1	831556	831556
3.766	SPRING-Diaphragm rod	1	830441	830441
3.766	WASHER	2	826835	826835
3.766	WASHER-Safety	1	2080725	2080725
3.767	PIN-Filler main body	1	830671	830671
3.767	SCREW-Filler pin	1	830951	830951
3.767	PLUG-Main body	1	830136	830136
3.767	SEAL-Main body plug	1	830258	830258
3.771	VALVE ASSY.-Float needle	1	09276575- (830810)	(830810)
3.772	GASKET-Float valve seat	1	830825	830825
3.773	FLOAT ASSY.	1	02891389- 830732	830732
3.775	PIN-Float fulcrum	1	830777	830777
3.775	SPRING-Pin	1	830850	830850
3.776	DIAPHRAGM-Pump	1	830362	830362
3.779	SPRING-Diaphragm pump	1	830410	830434
3.782	COVER ASSY.-Pump	1	830488	830488
3.782	SCREW-Cover to body	4	2048903	2048903
3.782	ROD-Pump connecting	1	830284	830284
3.782	RING-Clamping	2	2092300	2092300
3.786	VENTURI-Secondary	2	832608	832608

TORANA "LX" PARTS CATALOGUE

4 CYLINDER CARBURETTOR COMPONENTS (SOLEX) (Continued)

GROUP	DESCRIPTION CARBURETTOR ASSEMBLY	QTY	PART NUMBERS	
			825043	826047
3.786	SCREW-Venturi retaining	2	832800	832800
3.786	SCREW-Venturi retaining	2	832801	832801
3.786	NUT-Retaining screw	2	832852	832852
3.796	COVER-Thermostat	1	831366	831366
3.796	GASKET-Thermostat cover	1	831550	831550
3.796	RING-Cover retaining	1	831400	831400
3.796	SCREW-Cover attaching	3	2046056	2046056
3.798	ROD-Choke	1	832342	832342
3.798	RING-Clamping	2	2092300	2092300
3.798	WASHER-Spring	1	826845	826845
3.798	NUT-Rod	2	831950	831950

TORANA "LX" PARTS CATALOGUE

6 CYLINDER CARBURETTOR COMPONENTS (BENDIX)						
GROUP	DESCRIPTION CARBURETTOR ASSEMBLY	QTY	PART NUMBERS			
			9930585	9930586	9930587	9930588
3.724	GASKET KIT	1	VS12468	VS12468	VS12468	VS12468
3.725	REPAIR KIT-Major overhaul	1	VS12466	VS12466	VS12466	VS12466
3.725	REPAIR KIT-Minor overhaul	1	VS12467	VS12467	VS12467	VS12467
3.726	GASKET-Flange	1	9930562	9930562	9930562	9930562
3.727	BODY ASSY.-Carburettor throttle	1	VS12487	VS12487	VS12487	VS12487
3.729	VALVE-Carburettor throttle	1	VS12490	VS12490	VS12490	VS12490
3.729	SCREW-Valve attaching	2	7405165	7405165	7405165	7405165
3.731	LEVER Throttle	1	VS12539	VS12539	VS12539	VS12539
3.731	SHAFT-Throttle	1	VS12488	VS12488	VS12488	VS12488
3.731	NUT-Throttle shaft	1	7424617	7424617	7424617	7424617
3.731	WASHER-Throttle lever	1	7424618	7424618	7424618	7424618
3.731	SPRING-Lever return	1	2825271	2825271	2825271	2825271
3.731	BRACKET-Throttle cable support	1	VS12541	VS12541	VS12541	VS12541
3.731	SCREW-Bracket attaching	2	VS12542	VS12542	VS12542	VS12542
3.734	SCREW-Slow idle adjusting	1	VS12491	VS12491	VS12491	VS12491
3.734	SPRING-Slow idle adjusting screw	1	VS11815	VS11815	VS11815	VS11815
3.735	CAM-Fast idle	1	VS11814	VS11814	VS11814	VS11814
3.735	LEVER-Fast idle cam	1	VS11813	VS11813	VS11813	VS11813
3.736	PIN-Fast idle cam	1	VS11812	VS11812	VS11812	VS11812
3.736	PIN-Cotter, 1/16" - 3/8"	1	7405140	7405140	7405140	7405140
3.741	VALVE-Idle needle	1	VS12489	VS12489	VS12489	VS12489
3.748	BODY ASSY.-Main	1	VS12537	VS12537	VS12537	VS12537
3.748	SPACER-Insulating	1	VS12477	VS12477	VS12477	VS12477
3.748	SCREW	2	VS11321	VS11321	VS11321	VS11321
3.748	WASHER-Lock	2	VS11322	VS11322	VS11322	VS11322
3.749	GASKET-Main body	1	VS12475	VS12475	VS12475	VS12475
3.749	GASKET-Throttle body	1	VS12476	VS12476	VS12476	VS12476
3.751	BLEEDER-High speed	1	7405109	7405109	7405109	7405109
3.752	TUBE-Idle	1	VS12642	VS12642	VS12642	VS12642
3.753	ROD-Volume restrictor	1	VS12540	VS12540	VS12540	VS12540
3.754	JET-Main metering	1	VS12473	VS12473	VS12473	VS12473
3.754	JET-Main discharge	1	VS12472	VS12472	VS12472	VS12472
3.755	PLUG-Main metering jet	1	VS10432	VS10432	VS10432	VS10432
3.756	GASKET-Main metering jet plug	1	7405144	7405144	7405144	7405144
3.757	JET-Pump by-pass	1	7405131	7405131	7405131	7405131
3.757	JET-Power by-pass	1	VS12641	VS12641	VS12641	VS12641
3.757	GASKET-Pump by-pass	1	7405146	7405146	7405146	7405146
3.757	GASKET-Power by-pass	1	7405146	7405146	7405146	7405146
3.763	AIR HORN ASSY.	1	VS11803	VS11803	VS11803	VS11803
3.763	BAR-Air horn reinforcing	1	7420240	7420240	7420240	7420240

TORANA "LX" PARTS CATALOGUE

6 CYLINDER CARBURETTOR COMPONENTS (BENDIX) (Continued)						
GROUP	DESCRIPTION CARBURETTOR ASSEMBLY	QTY	PART NUMBERS			
			9930585	9930586	9930587	9930588
3.763	SCREW & LOCK WASHER-Air horn attaching, 1/2"					
	long	2	7405167	7405167	7405167	7405167
3.763	SCREW & LOCK WASHER-Air horn attaching, 3/8"					
	long	3	7405166	7405166	7405166	7405166
3.763	TUBE-Vent	1	7424550	7424550	7424550	7424550
3.764	VALVE ASSY.-Idle vent	1	VS11801	VS11801	VS11801	VS11801
3.764	STEM-Idle vent	1	VS11802	VS11802	VS11802	VS11802
3.764	SPRING-Idle vent stem	1	7420244	7420244	7420244	7420244
3.765	GASKET-Air horn	1	VS12470	VS12470	VS12470	VS12470
3.767	PLUG-Main & throttle body	1	7405158	7405158	7405158	7405158
3.767	PLUG-Lead ball	6	7405107	7405107	7405107	7405107
3.767	PLUG-Lead ball	4				
3.767	PLUG-Main body (long)	1	VS12505	VS12505	VS12505	VS12505
3.767	PLUG-Main body (short)	1	VS12506	VS12506	VS12506	VS12506
3.771	VALVE & SEAT ASSY.-Float needle	1	7406701	7406701	7406701	7406701
3.771	VALVE & SEAT ASSY.-Float needle (Heavy duty) ..	1	7420335	7420335	7420335	7420335
3.772	GASKET-Float needle valve seat	1	7405147	7405147	7405147	7405147
3.773	FLOAT & LEVER ASSY	1	7405112	7405112	7405112	7405112
3.775	PIN-Float fulcrum	1	7405156	7405156	7405156	7405156
3.775	SPRING-Float fulcrum pin	1	7405170	7405170	7405170	7405170
3.778	PISTON & STEM ASSY.-Pump	1	7405133	7405133	7405133	7405133
3.778	PIN-Cotter	1	7405141	7405141	7405141	7405141
3.779	SPRING-Pump stem	1	7424555	7424555	7424555	7424555
3.780	LEVER-Pump	1	7424551	7424551	7424551	7424551
3.781	NUT-Pump lever attaching	1	7424617	7424617	7424617	7424617
3.781	WASHER-Pump lever	1	7424618	7424618	7424618	7424618
3.782	ROD-Pump	1	7405160	7405160	7405160	7405160
3.783	LINK Pump	1	7405153	7405153	7405153	7405153
3.783	CLIP-Pump link	1	7405138	7405138	7405138	7405138
3.783	REPAIR KIT	1	7427343	7427343	7427343	7427343
3.784	VALVE-Pump check	1	7405136	7405136	7405136	7405136
3.784	PLUG-Pump check valve	1	7405159	7405159	7405159	7405159
3.784	GASKET-Pump check plug	1	7405145	7405145	7405145	7405145
3.787	SCREEN-Pump strainer	1	7405162	7405162	7405162	7405162
3.787	CLIP-Pump screen	1	7405139	7405139	7405139	7405139
3.788	PISTON ASSY.-Vacuum power	1	VS11818	VS11818	VS11818	VS11818
3.789	VALVE ASSY.-Choke	1	VS11799	VS11799	VS11799	VS11799
3.789	SCREW-Valve attaching	2	7405118	7405118	7405118	7405118
3.791	SHAFT ASSY.-Choke	1	VS12061	VS12061	VS12061	VS12061
3.791	SPRING-Choke lever	1	7405125	7405125	7405125	7405125

TORANA "LX" PARTS CATALOGUE

6 CYLINDER CARBURETTOR COMPONENTS (BENDIX) (Continued)

GROUP	DESCRIPTION CARBURETTOR ASSEMBLY	QTY	PART NUMBERS			
			9930585	9930586	9930587	9930588
3.791	LEVER ASSY.-Choke	1	7405122	7405122	7405122	7405122
3.791	SCREW-Wire clamp	1	7405124	7405124	7405124	7405124
3.792	LEVER-Fast idle	1	VS11800	VS11800	VS11800	VS11800
3.792	NUT-Lever attaching	1	7405120	7405120	7405120	7405120
3.792	WASHER-Lever attaching nut	1	7405121	7405121	7405121	7405121
3.793	ROD-Fast idle	1	VS11795	VS11795	VS11795	VS11795
3.795	BRACKET-Choke cable	1	VS12121	VS12121	VS12121	VS12121
3.795	CLAMP-Choke cable	1	VS11797	VS11797	VS11797	VS11797
3.795	SCREW & WASHER ASSY -Clamp	1	7405166	7405166	7405166	7405166
3.795	SCREW & WASHER ASSY.-Bracket attaching	1	7405167	7405167	7405167	7405167

TORANA "LX" PARTS CATALOGUE

6 CYLINDER CARBURETTOR COMPONENTS (BENDIX) (Continued)

GROUP	DESCRIPTION CARBURETTOR ASSEMBLY	QTY	PART NUMBERS			
			9936831	9936832	9936833	9936834
3.724	GASKET KIT	1	VS12468	VS12468	VS12468	VS12468
3.725	REPAIR KIT-Major overhaul	1	VS12982	VS12982	VS12982	VS12982
3.725	REPAIR KIT-Minor overhaul	1	VS12983	VS12983	VS12983	VS12983
3.726	GASKET-Flange	1	9930562	9930562	9930562	9930562
3.727	BODY ASSY.-Carburettor throttle	1	VS12994	VS12995	VS12994	VS12995
3.729	VALVE-Carburettor throttle	1	VS12490	VS12490	VS12490	VS12490
3.729	SCREW-Valve attaching	2	7405165	7405165	7405165	7405165
3.731	LEVER-Throttle	1	VS12539	VS12539	VS12539	VS12539
3.731	SHAFT-Throttle	1	VS12488	VS12488	VS12488	VS12488
3.731	NUT-Throttle shaft	1	7424617	7424617	7424617	7424617
3.731	WASHER-Throttle lever	1	7424618	7424618	7424618	7424618
3.731	SPRING-Lever return	1	2825271	2825271	2825271	2825271
3.731	BRACKET-Throttle cable support	1	VS12541	VS12541	VS12541	VS12541
3.731	SCREW-Bracket attaching	2	VS12542	VS12542	VS12542	VS12542
3.734	SCREW-Slow idle adjusting	1	VS12491	VS12491	VS12491	VS12491
3.734	SPRING-Slow idle adjusting screw	1	VS11815	VS11815	VS11815	VS11815
3.735	CAM-Fast idle	1	VS11814	VS11814	VS11814	VS11814
3.735	LEVER-Fast idle cam	1	VS11813	VS11813	VS11813	VS11813
3.736	PIN-Fast idle cam	1	VS11812	VS11812	VS11812	VS11812
3.736	PIN-Cotter, $\frac{1}{16}$ "- $\frac{3}{8}$ "	1	7405140	7405140	7405140	7405140
3.741	VALVE-Idle needle	1	VS12489	VS12489	VS12489	VS12489
3.748	BODY ASSY.-Main	1	VS12537	VS12537	VS12537	VS12537
3.748	SPACER-Insulating	1	VS12477	VS12477	VS12477	VS12477
3.748	SCREW	2	VS11321	VS11321	VS11321	VS11321
3.748	WASHER-Lock	2	VS11322	VS11322	VS11322	VS11322
3.749	GASKET-Main body	1	VS12475	VS12475	VS12475	VS12475
3.749	GASKET-Throttle body	1	VS12476	VS12476	VS12476	VS12476
3.751	BLEEDER-High speed	1	7405109	7405109	7405109	7405109
3.752	TUBE-Idle	1	VS12642	VS12642	VS12642	VS12642
3.753	ROD-Volume restrictor	1	VS12540	VS12540	VS12540	VS12540
3.754	JET-Main metering	1	VS12473	VS12473	VS12473	VS12473
3.754	JET-Main discharge	1	VS12472	VS12472	VS12472	VS12472
3.755	PLUG-Main metering jet	1	VS10432	VS10432	VS10432	VS10432
3.756	GASKET-Main metering jet plug	1	7405144	7405144	7405144	7405144
3.757	JET-Pump by-pass	1	7405131	7405131	7405131	7405131
3.757	JET-Power by-pass	1	VS12641	VS12641	VS12641	VS12641
3.757	GASKET-Pump by-pass	1	7405146	7405146	7405146	7405146
3.757	GASKET-Power by-pass	1	7405146	7405146	7405146	7405146
3.763	AIR HORN ASSY.	1	VS12984	VS12984	VS12984	VS12984
3.763	BAR-Air horn reinforcing	1	7420240	7420240	7420240	7420240

TORANA "LX" PARTS CATALOGUE

6 CYLINDER CARBURETTOR COMPONENTS (BENDIX) (Continued)						
GROUP	DESCRIPTION CARBURETTOR ASSEMBLY	QTY	PART NUMBERS			
			9936831	9936832	9936833	9936834
3.763	SCREW & LOCK WASHER-Air horn attaching, 1/2"					
	long	2	7405167	7405167	7405167	7405167
3.763	SCREW & LOCK WASHER-Air horn attaching, 5/8"					
	long	3	7405166	7405166	7405166	7405166
3.763	TUBE-Vent	1	7424550	7424550	7424550	7424550
3.765	GASKET-Air horn	1	VS12470	VS12470	VS12470	VS12470
3.767	PLUG-Main & throttle body	1	7405158	7405158	7405158	7405158
3.767	PLUG-Lead ball	4	7405107	7405107	7405107	7405107
3.767	PLUG-Main body (long)	1	VS12505	VS12505	VS12505	VS12505
3.767	PLUG-Main body (short)	1	VS12506	VS12506	VS12506	VS12506
3.771	VALVE & SEAT ASSY.-Float needle	1	7406701	7406701	7406701	7406701
3.771	VALVE & SEAT ASSY.-Float needle (Heavy duty) ..	1	7420335	7420335	7420335	7420335
3.772	GASKET-Float needle valve seat	1	7405147	7405147	7405147	7405147
3.773	FLOAT & LEVER ASSY	1	7405112	7405112	7405112	7405112
3.775	PIN-Float fulcrum	1	7405156	7405156	7405156	7405156
3.775	SPRING-Float fulcrum pin	1	7405170	7405170	7405170	7405170
3.778	PISTON & STEM ASSY.-Pump	1	VS12985	VS12985	VS12985	VS12985
3.778	PIN-Cotter	1	7405141	7405141	7405141	7405141
3.779	SPRING-Pump stem	1	7424555	7424555	7424555	7424555
3.780	LEVER-Pump	1	7424551	7424551	7424551	7424551
3.781	NUT-Pump lever attaching	1	7424617	7424617	7424617	7424617
3.781	WASHER-Pump lever	1	7424618	7424618	7424618	7424618
3.782	ROD-Pump	1	7405160	7405160	7405160	7405160
3.783	LINK-Pump	1	7405153	7405153	7405153	7405153
3.783	CLIP-Pump link	1	7405138	7405138	7405138	7405138
3.783	REPAIR KIT	1	7427343	7427343	7427343	7427343
3.784	VALVE-Pump check	1	7405136	7405136	7405136	7405136
3.784	PLUG-Pump check valve	1	7405159	7405159	7405159	7405159
3.784	GASKET-Pump check plug	1	7405145	7405145	7405145	7405145
3.787	SCREEN-Pump strainer	1	7405162	7405162	7405162	7405162
3.787	CLIP-Pump screen	1	7405139	7405139	7405139	7405139
3.788	PISTON ASSY.-Vacuum power	1	VS11818	VS11818	VS11818	VS11818
3.789	VALVE-Choke	1	VS11799	VS11799	VS11799	VS11799
3.799	SCREW-Valve attaching	2	7405118	7405118	7405118	7405118
3.791	SHAFT ASSY.-Choke	1	VS12061	VS12061	VS12061	VS12061
3.791	SPRING-Choke lever	1	7405125	7405125	7405125	7405125
3.791	LEVER ASSY.-Choke	1	7405122	7405122	7405122	7405122
3.791	SCREW-Wire clamp	1	7405124	7405124	7405124	7405124
3.791	SPRING-Choke shaft anti-buzz.	1	9937383	9937383	9937383	9937383
3.792	LEVER-Fast idle	1	VS11800	VS11800	VS11800	VS11800

TORANA "LX" PARTS CATALOGUE

6 CYLINDER CARBURETTOR COMPONENTS (BENDIX) (Continued)

GROUP	DESCRIPTION CARBURETTOR ASSEMBLY	QTY	PART NUMBERS			
			9936831	9936832	9936833	9936834
3.792	NUT-Lever attaching	1	7405120	7405120	7405120	7405120
3.792	WASHER-Lever attaching nut	1	7405121	7405121	7405121	7405121
3.793	ROD-Fast idle	1	VS11795	VS11795	VS11795	VS11795
3.795	BRACKET-Choke cable	1	VS12121	VS12121	VS12121	VS12121
3.795	CLAMP-Choke cable	1	VS11797	VS11797	VS11797	VS11797
3.795	SCREW & WASHER ASSY.-Clamp	1	7405166	7405166	7405166	7405166
3.795	SCREW & WASHER ASSY.-Bracket attaching	1	7405167	7405167	7405167	7405167

TORANA "LX" PARTS CATALOGUE

8 CYLINDER ENGINE CARBURETTOR COMPONENTS						
GROUP	DESCRIPTION CARBURETTOR ASSEMBLY	QTY	PART NUMBERS			
			9931463	9931464	9936835	9936836
3.724	GASKET KIT	1	VS12546	VS12546	VS12988	VS12988
3.725	REPAIR KIT-Major overhaul	1	VS12547	VS12544	VS12986	VS12986
3.725	REPAIR KIT-Minor overhaul	1	VS12548	VS12545	VS12987	VS12987
3.726	GASKET-Flange	1	7433691	7433691	7433691	7433691
3.727	BODY ASSY.-Throttle	1	VS12551	VS12552	VS12996	VS13003
3.729	VALVE-Throttle	2	VS10437	VS10437	VS10437	VS10437
3.729	SCREW-Throttle valve	4	VS10522	VS10522	VS10522	VS10522
3.731	LEVER-Throttle	1	VS12554	VS12554	VS12554	VS12554
3.731	LEVER-Throttle cable	1	VS12557	VS12557	VS12557	VS12557
3.731	SHAFT Throttle	1	VS12555	VS12555	VS12555	VS12555
3.731	NUT Throttle lever	1	VS10910	VS10910	VS10910	VS10910
3.731	WASHER Throttle lever nut	1	VS10911	VS10911	VS10911	VS10911
3.734	SCREW-Slow idle adjusting	1	VS10520	VS10520	VS10520	VS10520
3.734	SPRING Slow idle screw	1	VS12553	VS12553	VS12553	VS12553
3.737	SCREW Fast idle	1	VS10906	VS10906	VS10906	VS10906
3.737	SPRING Fast idle screw	1	VS10907	VS10907	VS10907	VS10907
3.741	VALVE Idle needle	2	VS12556	VS12556	VS12556	VS12556
3.748	BODY ASSY. Main	1	VS10922	VS10922	VS10922	VS10922
3.748	SCREW & LOCK WASHER ASSY	2	VS11038	VS11038	VS11038	VS11038
3.748	SCREW & LOCK WASHER ASSY.	2	VS10523	VS10523	VS10523	VS10523
3.749	GASKET Main body	1	VS10433	VS10433	VS10433	VS10433
3.751	BLEEDER High speed	2	7405109	7405109	7405109	7405109
3.752	TUBE Idle	2	VS12718	VS12550	VS12718	VS12550
3.754	JET Main metering	2	VS12395	VS12395	VS12395	VS12395
3.754	JET Main discharge	2	VS12394	VS12394	VS12394	VS12394
3.755	PLUG Main metering jet	2	VS10432	VS10432	VS10432	VS10432
3.756	GASKET Main metering jet plug	2	7405144	7405144	7405144	7405144
3.757	JET Power by-pass	1	VS12393	VS12393	VS12393	VS12393
3.757	GASKET Power by-pass jet	1	VS10883	VS10883	VS10883	VS10883
3.758	NOZZLE-Pump	1	VS11911	VS10467	VS11911	VS10467
3.758	GASKET Pump nozzle	1	VS10468	VS10468	VS10468	VS10468
3.759	SCREW Pump nozzle	1	VS10518	VS10518	VS10518	VS10518
3.760	BALL Inlet check	1	VS10527	VS10527	VS10527	VS10527
3.760	BALL-Outlet check	1	VS10519	VS10519	VS10519	VS10519
3.763	AIR HORN ASSY.	1	VS10461	VS10461	VS12989	VS12989
3.763	SCREW & LOCKWASHER	6	7405166	7405166	7405166	7405166
3.764	WASHER Idle vent seal	1	VS10530	VS10530	VS10530	VS10530
3.764	SPRING Vent valve external	1		VS12997	VS12997	
3.764	LIFTER Idle vent valve	1		VS13001	VS13001	
3.765	GASKET Air horn	1	VS12396	VS12396	VS12990	VS12990

TORANA "LX" PARTS CATALOGUE

8 CYLINDER ENGINE CARBURETTOR COMPONENTS (Continued)						
GROUP	DESCRIPTION CARBURETTOR ASSEMBLY	QTY	PART NUMBERS			
			9931463	9931464	9936835	9936836
3.767	PLUG-Drive	2	VS10526	VS10526	VS10526	VS10526
3.767	PLUG-Lead ball	4	7405107	7405107	7405107	7405107
3.771	VALVE & SEAT ASSY.-Float needle	1	VS10443	VS10443	VS10443	VS10443
3.772	GASKET-Float needle valve seat	1	7405147	7405147	7405147	7405147
3.773	FLOAT & LEVER ASSY	1	VS10445	VS10445	VS10445	VS10445
3.775	PIN-Float fulcrum	1	7405156	7405156	7405156	7405156
3.775	SPRING-Float fulcrum	1	7405170	7405170	7405170	7405170
3.775	RETAINER-Float fulcrum pin	1				
3.776	BAFFLE-Float chamber	1	VS10446	VS10446	VS12998	VS12998
3.778	PISTON ASSY.-Pump	1	VS11151	VS10916	VS12999	VS13002
3.778	PIN-Cotter	1	7405140	7405140	7405140	7405140
3.779	SPRING-Pump duration	1	VS10448	VS10974	VS10448	VS10974
3.779	WASHER-Duration spring retainer	1	VS10528	VS10528	VS10528	VS10528
3.779	WASHER-Duration spring clip	1	VS10529	VS10529	VS10529	VS10529
3.779	SPRING-Pump bottom	1	VS10447	VS10447	VS10447	VS10447
3.780	LEVER-Pump	1	VS10464	VS12991	VS10464	VS12991
3.781	SCREW-Pump lever	1	VS10517	VS10517	VS10517	VS10517
3.783	ROD-Pump	1	VS12549	VS12549	VS12549	VS12549
3.783	PIN-Cotter	2	7405140	7405140	7405140	7405140
3.788	PISTON ASSY.-Vacuum power	1	VS10897	VS10897	VS10897	VS10897
3.789	VALVE-Choke	1	VS10460	VS10460	VS10460	VS10460
3.789	SCREW-Valve attaching	2	7405165	7405165	7405165	7405165
3.791	SHAFT & LEVER ASSY.-Choke	1	VS10894	VS10894	VS10894	VS10894
3.792	LEVER-Fast idle	1	VS10463	VS10463	VS10463	VS10463
3.792	NUT-Lever attaching	1	7405120	7405120	7405120	7405120
3.792	WASHER-Lever attaching nut	1	VS10895	VS10895	VS10895	VS10895
3.793	ROD-Fast idle	1	VS10472	VS10472	VS10472	VS10472
3.793	CLIP-Fast idle rod	1	VS10899	VS10899	VS10899	VS10899
3.796	COVER ASSY.-Thermostat	1	VS10914	VS10442	VS10914	VS10442
3.796	GASKET-Thermostat cover	1	2809921	2809921	2809921	2809921
3.796	SCREW-Thermostat	3	2809937	2809937	2809937	2809937
3.796	WASHER-Thermostat cover	3	2809922	2809922	2809922	2809922
3.797	LEVER & SHAFT ASSY.-Thermostat	1	VS10440	VS10440	VS10440	VS10440
3.797	LEVER-Thermostat	1	VS10439	VS10439	VS10439	VS10439
3.797	NUT-Lever attaching	1	7420254	7420254	7420254	7420254
3.797	WASHER	1	VS10912	VS10912	VS10912	VS10912
3.798	ROD-Choke	1	VS10444	VS10444	VS10444	VS10444
3.798	PIN-Choke rod, cotter	1	VS10915	VS10915	VS10915	VS10915
3.799	DIAPHRAGM ASSY	1	VS10893	VS10893	VS10893	VS10893
3.799	SCREW-Diaphragm attaching	2	VS10917	VS10917	VS10917	VS10917

TORANA "LX" PARTS CATALOGUE

8 CYLINDER ENGINE CARBURETTOR COMPONENTS (Continued)

GROUP	DESCRIPTION CARBURETTOR ASSEMBLY	QTY	PART NUMBERS			
			9931463	9931464	9936835	9936836
3.799	ROD	1	VS10456	VS10456	VS10456	VS10456
3.799	RETAINER	1	VS10457	VS10457	VS10457	VS10457
3.799	HOSE-Vacuum	1	VS10458	VS10458	VS10458	VS10458

TORANA "LX" PARTS CATALOGUE

8 CYLINDER ENGINE CARBURETTOR COMPONENTS							
GROUP	DESCRIPTION CARBURETTOR ASSEMBLY	QTY	PART NUMBERS				
			9936841	9936842	17050641	17050642	17052795
3.724	GASKET KIT	1	VS12762	VS12762	7036565	7036565	7036565
3.725	REPAIR KIT-Major overhaul	1	VS13092	VS13092	7041300	7036741	17052796
3.725	REPAIR KIT-Minor overhaul	1	VS12808	VS12808	7039188	7039168	7039188
3.726	GASKET-Flange	1	7433691	7433691	2807914	2807914	2807914
3.726	INSULATOR-Flange	1			3884571	3884571	3884571
3.727	BODY ASSY-Throttle	1	VS13150	VS13151	17050639	17050640	17050639
3.727	TUBE-Hot air	1	VS12760	VS12760			
3.729	SCREW-Throttle valve	4	VS12753	VS12753			
3.734	SCREW-Slow idle adjusting	1	VS12684	VS12684	7002121	7002121	7002121
3.734	SPRING-Slow idle screw	1			7003176	7003176	7003176
3.735	CAM-Fast idle	1	VS12681	VS12681	7045823	7045823	7045823
3.735	SCREW-Fast idle cam	1	VS12682	VS12682			
3.735	LEVER-Cam follower	1			7043634	7043634	7043634
3.735	SPRING-Cam lever	1			7035772	7035772	7035772
3.735	LEVER-Fast idle	1			7030677	7030677	7030677
3.735	SCREW-Fast idle lever attaching	1			7035523	7035523	7035523
3.737	SCREW-Fast idle	1	VS13147	VS13147	7029899	7029899	7029899
3.737	SPRING-Fast idle screw	1	VS12737	VS12737	7029900	7029900	7029900
3.741	VALVE-Idle needle	2	VS12688	VS12688	7042457	7042457	7048532
3.741	CAP-Idle valve limiter	2	VS12687	VS12687			
3.742	SPRING-Idle needle valve	2	VS12689	VS12689	7011479	7011479	7011479
3.748	BODY ASSY. -Main	1	VS13152	VS13152	7036743	7036743	17052789
3.748	SCREW & WASHER ASSY.	2	VS12686	VS12686			
3.748	SCREW	3			7035790	7035790	7035790
3.748	CAP-Vacuum port	1					9937792
3.748	TUBE-P.C.V.	1	VS12757	VS12757			
3.748	TUBE-Spark vacuum	1	VS12758	VS12758			
3.749	GASKET-Main body	1	VS12692	VS12692			
3.752	ROD-Metering	2	VS13146	VS13146			
3.754	JET-Main metering	2	VS13145	VS13145			
3.754	JET-Main	2			7031977	7031976	7031977
3.760	BALL-Inlet check	1	VS12694	VS12694			
3.760	BALL-Outlet check	1	VS12695	VS12695			
3.760	BALL-Discharge	1			7002117	7002117	7002117
3.760	RETAINER-Discharge ball	1			7029849	7029849	7029849
3.762	INSERT-Main body	1			7037319	7037319	7037319
3.763	AIR HORN ASSY.	1	VS13148	VS13148	7038964	7038964	17051599
3.763	SCREW & WASHER-Long	2	VS12672	VS12672			
3.763	SCREW & WASHER-Short	4	VS12656	VS12656			
3.763	WASHER-Lock	6	VS12657	VS12657			

X" PARTS CATALOGUE

UNDER ENGINE CARBURETTOR COMPONENTS (Continued)

DESCRIPTION CARBURETTOR ASSEMBLY	QTY	PART NUMBERS				
		9936841	9936842	17050641	17050642	17052795
V-3" long	2			7029912	7029912	7029912
V-1" long	5			7014699	7014699	7014699
V-3/8" long	2			7031105	7031105	7031105
L-Bowl vent	1	VS13160	VS13160			
R-Bowl vent	1	VS13162	VS13162			
T-Bowl vent	1	VS13159	VS13159			
T-Bowl vent cover	1	VS13161	VS13161			
L-Bowl vent cover	3	VS13163	VS13163			
R-Bowl vent spring	1	VS13156	VS13156			
L-Bowl vent washer retaining	1	VS13158	VS13158			
3.7 VALVE KIT-Idle vent	1			7036425	7036425	7036425
3.7 GASKET-Air horn	1	VS12673	VS12673	7029087	7029087	7029087
3.767 BALL	1	VS12754	VS12754			
3.767 BALL	1	VS12755	VS12755			
3.767 BALL	1	VS12756	VS12756			
3.771 VALVE & SEAT ASSY. Float needle	1	VS12693	VS12693	7035130	7035130	7035130
3.771 CLIP-Pull	1			7033751	7033751	7033751
3.772 GASKET-Float needle valve seat	1			7033747	7033747	7033747
3.773 FLOAT & LEVER ASSY.	1	VS12727	VS12727	7037316	7037316	7037316
3.775 PIN-Float fulcrum	1	VS12726	VS12726	7037317	7037317	7037317
3.775 RETAINER-Float fulcrum pin	1	VS12739	VS12739			
3.776 BAFFLE-Float chamber	1	VS12680	VS12680	7032324	7032324	7032324
3.778 PISTON ASSY.-Pump	1	VS13144	VS13144	7040691	7037337	7040691
3.778 CLIP-Piston retaining	1	VS13158	VS13158			
3.779 SPRING-Pump duration	1	VS13149	VS13149			
3.779 SPRING-Pump return	1			7037314	7037314	7037314
3.780 LEVER-Pump	1	VS13142	VS13142	7048028	7048028	7048169
3.780 PIN-spring 3/32" x 7/16"	1			9428787	9428787	9428787
3.780 SPRING & CAM KIT	1			7035344	7035344	7035344
3.781 SCREW-Pump lever	1	VS12674	VS12674			
3.783 ROD-Pump	1	VS13155	VS13155	7026138	7026138	7026138
3.783 CLIP-Pump rod	2	VS13157	VS13157			
3.786 VENTURI ASSY.	1	VS12729	VS12729			
3.786 COVER ASSY.-Venturi	1	VS12731	VS12731			
3.786 GASKET-Venturi cluster, upper	1	VS12730	VS12730			
3.786 GASKET-Venturi cluster, lower	1	VS12728	VS12728			
3.786 SCREW-Venturi cluster	2	VS12667	VS12667			
3.788 PISTON ASSY.-Vaccum power	1			7034903	7034903	7034903
3.788 SPRING-Piston	1			7036019	7036019	7036019
3.788 PISTON ASSY.-Step up	1	VS12676	VS12676			

TORANA "LX" PARTS CATALOGUE

8 CYLINDER ENGINE CARBURETTOR COMPONENTS (Continued)

GROUP	DESCRIPTION CARBURETTOR ASSEMBLY	QTY	PART NUMBERS				
			9936841	9936842	17050641	17050642	17052795
3.788	SPRING-Step up piston	1	VS12678	VS12571			
3.788	SCREW-Step up piston	1	VS12675	VS12675			
3.788	GASKET-Step up piston	1	VS12679	VS12679			
3.789	VALVE-Choke	1	VS12671	VS12671			7036021
3.789	SCREW-Valve attaching	2	VS12670	VS12670	7029866	7029866	7029866
3.791	SHAFT & VALVE KIT-Choke	1			7036430	7036430	
3.791	LEVER-Intermediate	1			7031231	7031231	7031231
3.791	SHAFT & LEVER ASSY.-Choke	1	VS12738	VS12738			
3.791	LEVER-Choke	1	VS12659	VS12659			
3.793	ROD-Fast idle	1	VS12683	VS12683			
3.793	THERMOSTAT ASSY	1	VS12662	VS12662	2809917	2809917	2809917
3.796	GASKET-Thermostat cover	1	VS12663	VS12663	2809921	2809921	2809921
3.796	SCREW-Thermostat	3	VS12661	VS12661	2809937	2809937	2809937
3.796	WASHER-Thermostat	3			2809922	2809922	2809922
3.796	RETAINER-Thermostat	3	VS12660	VS12660			
3.796	SPACER-Thermostat housing	1			2812046	2812046	2812046
3.796	BODY & SHAFT ASSY.-Housing	1			2809918	2809918	2809918
3.796	SCREW-Housing to inlet manifold	1			154005	154005	154005
3.796	WASHER-Housing to inlet manifold	1			2808133	2808133	2808133
3.796	DOWEL-Housing locating	1			2812045	2812045	2812045
3.796	PLUG-Thermostat	1	VS12752	VS12752			
3.796	PISTON ASSY.-Modulating	1	VS12734	VS12735			
3.796	LINK-Modulating piston	1	VS12736	VS12736			
3.796	LEVER-Modulating piston	1	VS12732	VS12732			
3.796	SCREW-Modulating piston	1	VS12733	VS12733			
3.797	LEVER-Thermostat	1	VS12659	VS12659	2809920	2809920	2809920
3.797	SHAFT-Thermostat	1	VS12658	VS12658			
3.798	ROD-Choke	1	VS12699	VS12699	7036067	7036067	7036067
3.798	CLIP-Choke rod	1	VS12725	VS12725	7005109	7005109	7005109
3.798	LEVER-Secondary lockout	1			7027270	7027270	7027270
3.798	ROD-Automatic choke	1			2818897	2818897	2818897
3.799	DIAPHRAGM & BRACKET ASSY.-Choke kick	1			7038967	7038967	7038967
3.799	DIAPHRAGM ASSY	1			7038239	7038239	7038239
3.799	SCREW-Diaphragm attaching	1			7031925	7031925	7031925
3.799	ROD	1			7038167	7038167	7038167
3.799	RETAINER	1			7005109	7005109	7005109
3.799	HOSE-Vacuum	1			7026339	7026339	7026339
3.806	ROD Metering, primary	2			7034849	7034845	7034850
3.806	ROD Metering, secondary	2			7034320	7034320	7034320
3.806	HOLDER KIT-Secondary metering rod	1			7034522	7034522	7034522

TORANA "LX" PARTS CATALOGUE

8 CYLINDER ENGINE CARBURETTOR COMPONENTS (Continued)

GROUP	DESCRIPTION	QTY	PART NUMBERS				
			9936841	9936842	17050641	17050642	17052795
3.810	SPRING-Metering rod	1			7029862	7029862	7029862

TORANA "LX" PARTS CATALOGUE

GROUP	DESCRIPTION	MODEL	SIDE	PART No.	QTY.
3.890	FILTER, GASKET, SPRING – Fuel pipe				
	FILTER ASSEMBLY	4.2 Litre Eng.		2815246	1
	FILTER ASSEMBLY	5 Litre Eng.		5651393	1
	GASKET – Fuel filter	5 Litre Eng.		7032508	1
	SPRING – Fuel filter	5 Litre Eng.		7034356	1
	NUT – Fuel filter	5 Litre Eng.		7034975	1
3.900	PUMP – Fuel				
	PUMP ASSY.	4 Cyl. Eng.		816031	1
	BOLT – Pump to cylinder block	4 Cyl. Eng.		2018114	2
	PUMP ASSY.	6 Cyl. Eng.		7415943	1
	SCREW & LOCK WASHER ASSY.	6 Cyl. Eng.		3719206	2
	PUMP ASSY.	8 Cyl. Eng.		2814798	1
	ECCENTRIC	8 Cyl. Eng.		7434758	1
	STUD	8 Cyl. Eng.		SP1763	1
	WASHER	8 Cyl. Eng.		120393	2
	NUT	8 Cyl. Eng.		120368	1
	BOLT	8 Cyl. Eng.		9427636	1
3.901	REPAIR KIT – Fuel pump				
	REPAIR KIT	4 Cyl. Eng.		1608129	1
	REPAIR KIT	6 Cyl. Eng.		7420687	1
	REPAIR KIT	8 Cyl. Eng.		2808183	1
3.902	BODY, SEAL – Fuel pump				
	BODY	6 Cyl. Eng.		5592850	1
	SEAL – Oil	6 Cyl. Eng.		5593301	1
	WASHER – Oil seal	6 Cyl. Eng.		1521985	1
	BODY	8 Cyl. Eng.		6415453	1
	SCREW	8 Cyl. Eng.		SP1976	1
3.903	BOWL – Fuel pump				
	BOWL	6 Cyl. Eng.		1523094	1
3.904	GASKET – Fuel pump bowl				
	GASKET – Bowl	6 Cyl. Eng.		5593404	1
3.906	BAIL and SCREW – Fuel pump				
	BAIL and SCREW ASSY.	6 Cyl. Eng.		5592046	1
3.909	VALVE and CAGE – Fuel pump				
	VALVE & CAGE ASSY.	6 Cyl. Eng.		5593866	2
	VALVE ASSY.	8 Cyl. Eng.		5623374	2
3.910	COVER – Fuel pump				
	SEAL – Cover	4 Cyl. Eng.		818726	1
	SEAL – Screw	4 Cyl. Eng.		818725	1
	COVER ASSY.	6 Cyl. Eng.		7950756	1
	COVER ASSY.	8 Cyl. Eng.		6416345	1
	SCREW & WASHER ASSY.	6, 8 Cyl. Eng.		SP1724	6
3.913	GASKET – Fuel pump valve and cage				
	GASKET	6 Cyl. Eng.		1521953	2
	GASKET	8 Cyl. Eng.		VS10806	2
3.920	ARM – Fuel pump rocker				
	ARM	6 Cyl. Eng.		1523093	1
	ARM	8 Cyl. Eng.		6416623	1

TORANA "LX" PARTS CATALOGUE

GROUP	DESCRIPTION	MODEL	SIDE	PART No.	QTY.
3.921	PIN, PLUG – Fuel pump rocker arm				
	PIN	6 Cyl. Eng.		5592851	1
	PLUG	6 Cyl. Eng.		5592852	2
	PIN	8 Cyl. Eng.		6414278	1
	PLUG	8 Cyl. Eng.		6414391	2
3.922	SPRING – Fuel pump rocker arm				
	SPRING	6 Cyl. Eng.		1522046	1
	SPRING	8 Cyl. Eng.		6413712	1
3.925	DIAPHRAGM KIT – Fuel pump				
	DIAPHRAGM KIT	6 Cyl. Eng.		7420688	1
	DIAPHRAGM & PULL ROD	6 Cyl. Eng.		1522199	1
	DIAPHRAGM KIT	8 Cyl. Eng.		2808182	1
	DIAPHRAGM & PULL ROD ASSY.	8 Cyl. Eng.		6413700	1
3.926	PULSATOR – Fuel pump diaphragm				
	PULSATOR	8 Cyl. Eng.		6413726	1
	PLATE - Pulsator cover	8 Cyl. Eng.		6413724	1
3.927	SPRING – Fuel pump diaphragm				
	SPRING	6 Cyl. Eng.		7950671	1
3.929	SCREEN – Fuel pump				
	SCREEN	4 Cyl. Eng.		818253	1
	SCREEN	6 Cyl. Eng.		1523099	1
3.931	LINK – Fuel pump				
	LINK	6 Cyl. Eng.		1521708	1
3.932	GASKET – Fuel pump flange				
	GASKET - 0.5 mm thick	4 Cyl. Eng.		818613	2
	GASKET - 2.4 mm thick	4 Cyl. Eng.		818618	1
	GASKET	6 Cyl. Eng.		- 7426584	1
	GASKET	8 Cyl. Eng.		-7434741	1

GROUP 4.000
TRANSMISSION SECTION

TRANSMISSION INDEX

TRANSMISSION ASSEMBLIES AND PARTS ARE LISTED AS FOLLOWS:-

SECTION 1: TRANSMISSION ASSEMBLY
THREE SPEED FULLY SYNCHRONIZED
RIGHT HAND DRIVE
PAGES **249 - 258**

TRANSMISSION CODE **A** PAGE EDGE CODE



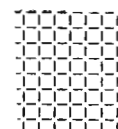
SECTION 2: TRANSMISSION ASSEMBLY
THREE SPEED MANUAL CONTROL
LEFT HAND DRIVE
PAGES **259 - 268**

TRANSMISSION CODE **B** PAGE EDGE CODE



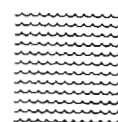
SECTION 3: TRANSMISSION ASSEMBLY
FOUR SPEED MANUAL CONTROL
FITTED IN ALL VEHICLES
(SHIFT MECHANISM ON TRANSMISSION SIDE PLATE)
PAGES **269 - 281**

TRANSMISSION CODE **F** PAGE EDGE CODE



SECTION 4: "TORQUEMASTER" TRANSMISSION ASSEMBLY
FOUR SPEED MANUAL CONTROL
FITTED IN VEHICLES EQUIPPED WITH
4 CYLINDER ENGINES
(SHIFT MECHANISM ON TOP OF REAR EXTENSION HOUSING)
PAGES **283 - 295**

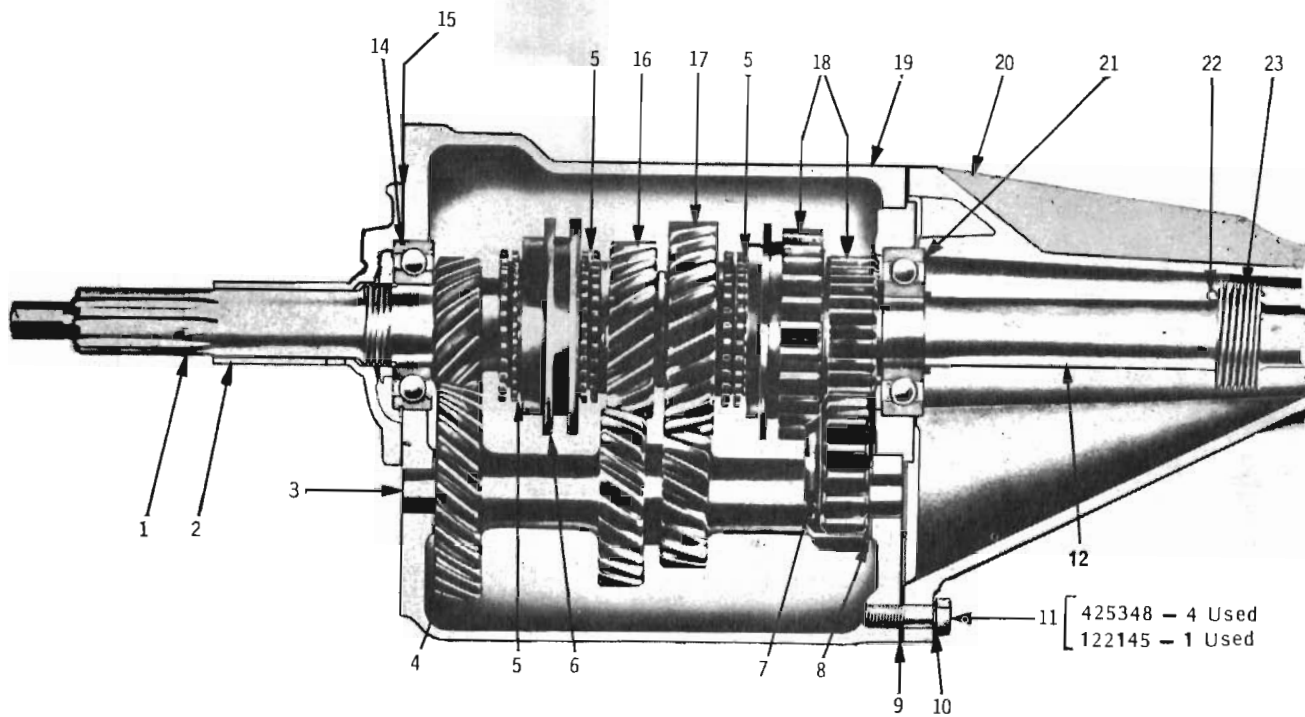
TRANSMISSION CODE **H** PAGE EDGE CODE



SECTION 5: TRANSMISSION ASSEMBLY
TRIMATIC
PAGES **297 - 325**

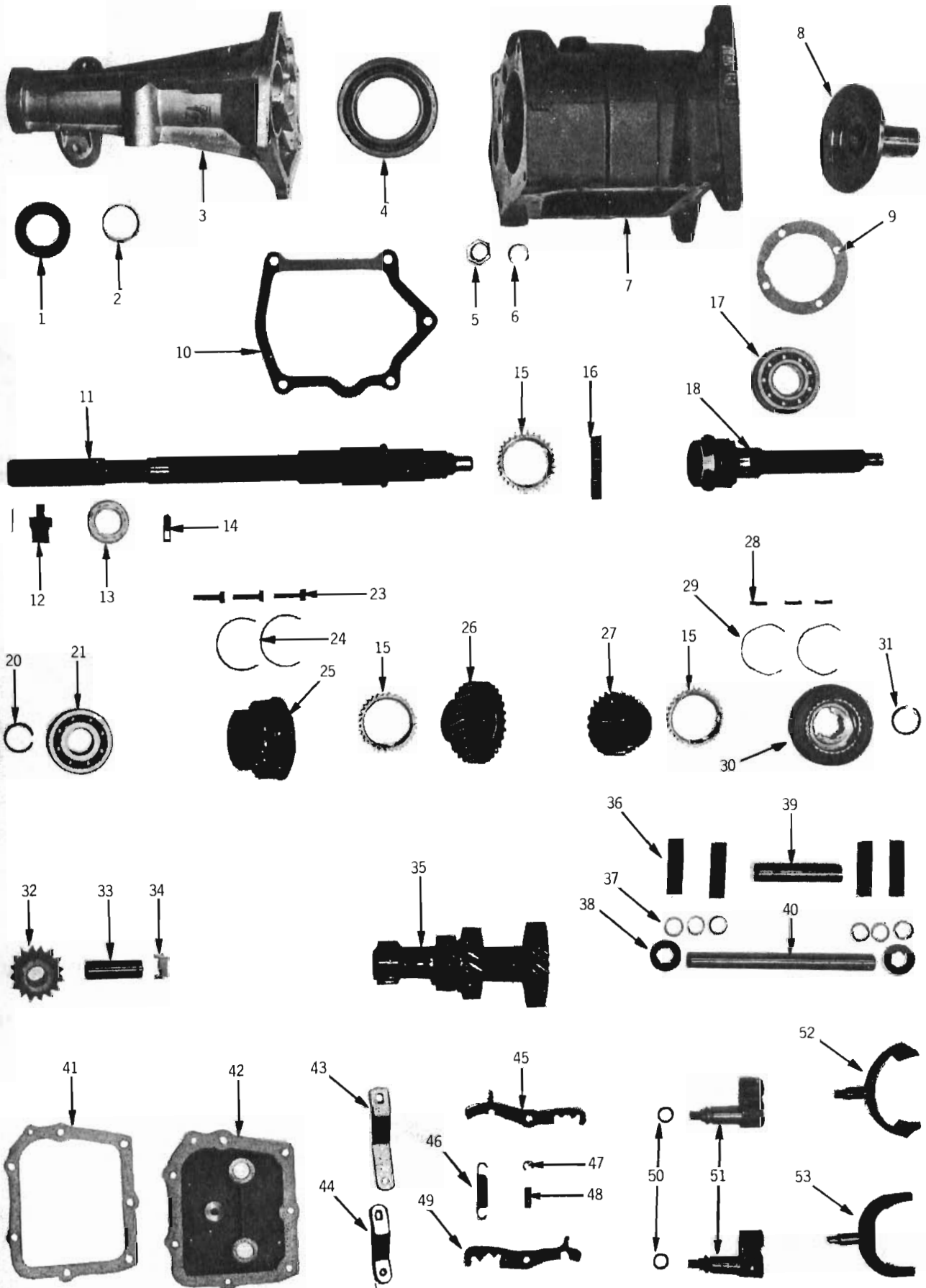
TRANSMISSION CODE **U** PAGE EDGE CODE





**TRANSMISSION ASSEMBLY
THREE SPEED FULLY SYNCHRONIZED**

ILLUS. REF. NO.	PART NAME	GROUP	ILLUS. REF. NO.	PART NAME	GROUP
1.	GEAR - Clutch	4.351	12.	SHAFT - Main	4.403
2.	RETAINER - Clutch gear bearing	4.356	14.	BEARING - Clutch gear	4.355
3.	SHAFT - Counter gear	4.428	15.	GASKET - Bearing retainer	4.358
4.	GEAR - Counter	4.421	16.	GEAR - 2nd speed	4.395
5.	RING - Blocking	4.383	17.	GEAR - 1st speed	4.418
6.	SYNCHRONIZING ASSY.- 2nd & 3rd speed	4.380	18.	SYNCHRONIZING ASSY.- 1st & reverse	4.380
7.	GEAR - Reverse idler	4.430	19.	CASE	4.103
8.	WASHER - Counter gear thrust	4.423	20.	HOUSING ASSY.	4.317
9.	GASKET	4.318	21.	BEARING ASSY. - Mainshaft rear.....	4.408
10.	WASHER	4.317	22.	CLIP - Speedo drive gear.....	4.337
11.	BOLT	8.900	23.	GEAR - Speedo drive	4.337

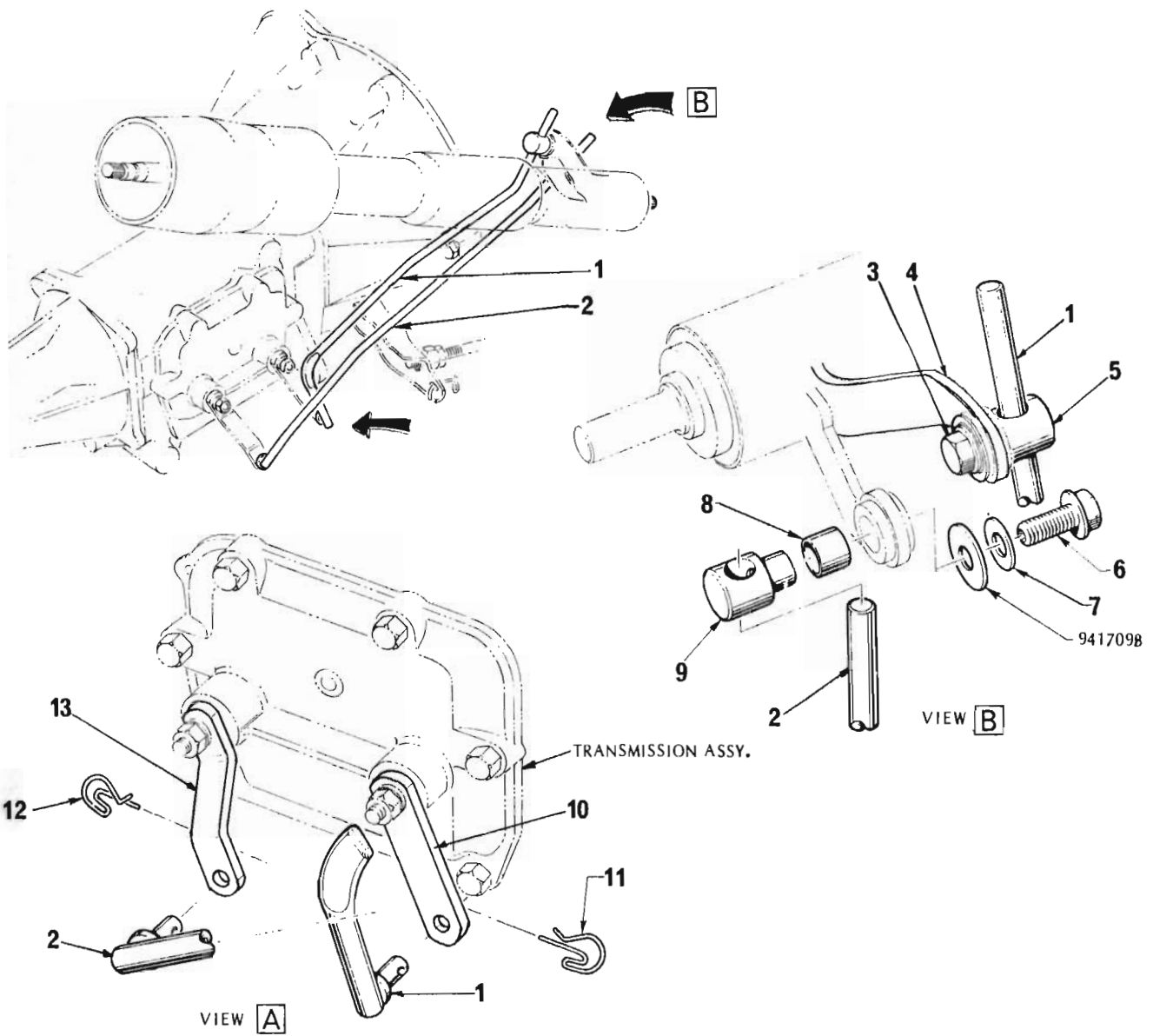


TRANSMISSION CASE and GEARS

3 Speed – Fully Synchronized Transmission

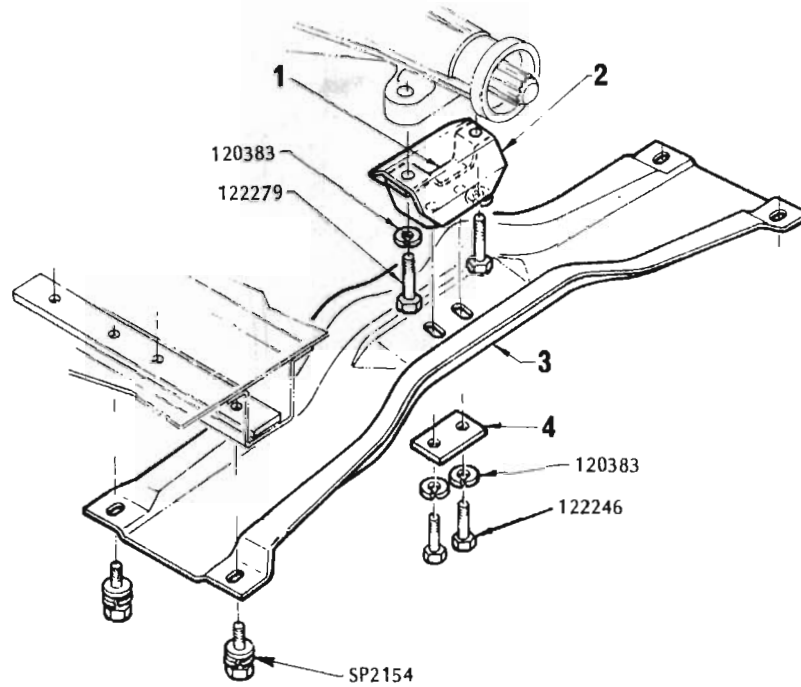
ILLUSTRATION OPPOSITE

ILLUS. REF. NO.	PART NAME	GROUP
1.	SEAL – Housing	4.317
2.	BUSHING – Housing	4.317
3.	HOUSING ASSY.	4.317
4.	ADAPTOR – Transmission rear bearing	4.317
5.	PLUG – Transmission filler	4.103
6.	GASKET – Filler plug	4.103
7.	CASE	4.103
8.	RETAINER	4.356
9.	GASKET – Clutch gear bearing retainer	4.358
10.	GASKET – Transmission extension housing	4.318
11.	SHAFT – Main	4.403
12.	GEAR – Driven, 21 teeth	4.337
	23 teeth	4.337
13.	GEAR – Drive	4.337
14.	CLIP – Drive gear	4.337
15.	RING – Blocking	4.383
16.	BEARING – Mainshaft front needle roller	4.352
17.	BEARING – Clutch gear	4.355
18.	GEAR – Clutch	4.351
20.	RING – Mainshaft lock	4.412
21.	BEARING ASSY. – Mainshaft rear	4.408
23.	KEY – 1st and reverse synchronizer	4.384
24.	SPRING – 1st and reverse synchronizer	4.383
25.	SYNCHRONIZER ASSY. – 1st and reverse	4.380
26.	GEAR – First speed	4.418
27.	GEAR – Second speed	4.395
28.	KEY – 2nd and 3rd synchronizer	4.384
29.	SPRING – 2nd and 3rd synchronizer	4.383
30.	SYNCHRONIZER ASSY. – 2nd and 3rd	4.380
31.	RING – 2nd and 3rd synchronizer to mainshaft	4.382
32.	GEAR ASSY. – Reverse idler	4.430
33.	SHAFT – Reverse idler gear	4.433
34.	KEY – Reverse idler gear shaft	4.433
35.	GEAR – Counter	4.421
36.	BEARING – Counter gear needle roller	4.422
37.	WASHER – Bearing	4.423
38.	WASHER – Gear thrust	4.423
39.	SPACER – Bearing	4.423
40.	SHAFT – Counter gear	4.428
41.	GASKET – Transmission cover	4.109
42.	COVER – Transmission	4.105
43.	LEVER – 1st and reverse external	4.050
44.	LEVER – 2nd and 3rd external	4.046
45.	CAM – 1st and reverse detent	4.311
46.	SPRING – Detent cam	4.311
48.	PIN – Detent cam	4.311
49.	CAM – 2nd and 3rd detent	4.311
50.	SEAL – Shifter shaft	4.309
51.	SHAFT ASSY. – Shifter fork	4.309
52.	FORK – 1st and reverse shift	4.304
53.	FORK – 2nd and 3rd shift	4.303



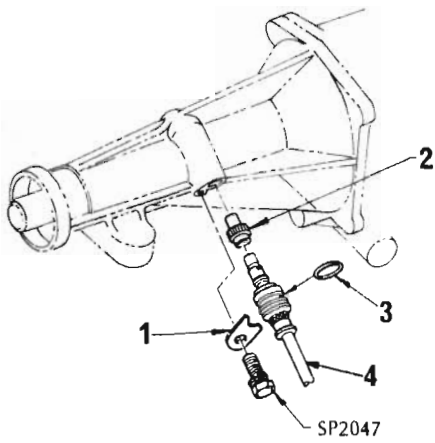
GEARSHIFT CONTROL

ILLUS. REF. NO.	PART NAME	GROUP	ILLUS. REF. NO.	PART NAME	GROUP
1.	ROD - 2nd & 3rd shift	4.019	8.	SLEEVE - Trunnion	4.020
2.	ROD - 1st & reverse shift	4.020	9.	TRUNNION - Control rod	4.020
3.	SCREW - Trunnion	4.019	10.	LEVER - 2nd & 3rd shifter	4.046
4.	LEVER - Lower	4.019	11.	RETAINER - Rod	4.019
5.	TRUNNION - Control rod	4.019	12.	RETAINER - Rod	4.020
6.	SCREW - Trunnion	4.020	13.	LEVER - 1st & reverse	4.050
7.	WASHER - Trunnion	4.020			

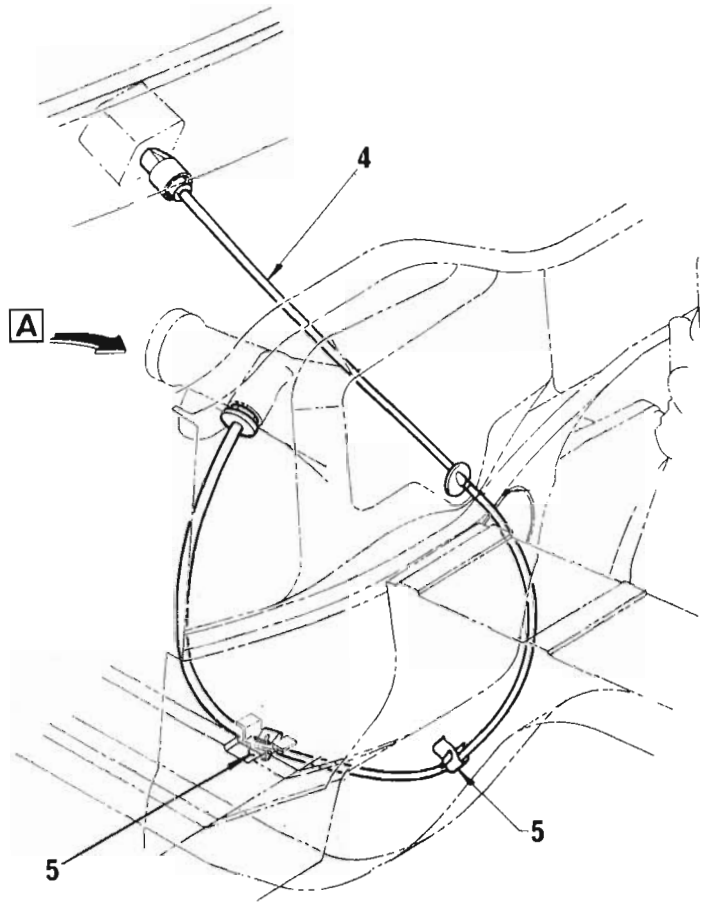


TRANSMISSION MOUNTING

ILLUS REF. NO.	PART NAME	GROUP
1.	ARRESTOR — Engine rear mounting	4.081
2.	MOUNTING	4.081
3.	SUPPORT — Engine rear mounting	12.982
4.	REINFORCEMENT	4.081



VIEW **A**



SPEEDOMETER DRIVE

ILLUS. REF. NO.	PART NAME	GROUP
1.	RETAINER - Drive end	4.342
2.	GEAR - Driven	4.337
3.	SEAL - "O" Ring	4.338
4.	CABLE & CASING	4.342
5.	CLIP - Cable	4.342

TORANA "LX" PARTS CATALOGUE

GROUP	DESCRIPTION	MODEL	SIDE	PART No.	QTY.
TRANSMISSION ASSEMBLY, THREE SPEED MANUAL CONTROL FULLY SYNCHRONIZED					
FITTED IN RIGHT HAND DRIVE VEHICLES EQUIPPED WITH 6 CYLINDER ENGINES					
4.003A TRANSMISSION					
	TRANSMISSION ASSY	Exc. Taxi Equipment		9930984	1
	TRANSMISSION ASSY.	Taxi Equipment		9941847	1
	OVERHAUL KIT	ALL		7449498	1
	REPAIR KIT	ALL		2810932	1
	BOLT & SPRING WASHER ASSY. - Trans. to clutch housing	ALL		SP2029	4
4.005A GASKET KIT - Transmission					
	GASKET KIT	ALL		M37425	1
4.006A LEVER - Gearshift control					
	LEVER ASSY.	ALL		9928844	1
4.007A TUBE - Gearshift control					
	TUBE ASSY.	ALL		9929051	1
	PIN	ALL		7429551	1
4.009A KNOB - Gearshift control lever					
	KNOB - Black	ALL		2813559BA	1
	KNOB - Tan	VC		2813559DX	1
	KNOB - Covert	VC		2813559DY	1
4.017A SPRING - Gearshift					
	SPRING - Lower control	ALL		7433264	1
	SPRING - Selector return	ALL		2807897	1
4.018A SUPPORT - Gearshift control					
	SUPPORT	ALL		9933745	1
	SPACER - Support	ALL		9933746	1
	WASHER - Support	ALL		9933747	1
4.019A LEVER, RETAINER, ROD, TRUNNION, SPACER, SLEEVE - Gearshift 2nd & 3rd shift					
	LEVER ASSY. - 2nd & 3rd shift	ALL		2824008	1
	RETAINER - 2nd & 3rd shift lever	ALL		9933749	1
	ROD ASSY. - Control	ALL		2824298	1
	TRUNNION - Control rod	ALL		2814030	1
	SLEEVE - Trunnion	ALL		2814031	1
	INSULATOR - Trunnion	ALL		2814033	1
	WASHER - Trunnion	ALL		1367656	1
	WASHER - 2nd & 3rd gear shift rod to trunnion	ALL		9417098	1
	SCREW - Trunnion	ALL		SP2459	1
	RETAINER - Rod	ALL		3749084	1
4.020A LEVER, ROD, TRUNNION, SLEEVE, RETAINER - Gearshift 1st & reverse shift					
	LEVER - 1st & rev. shift	ALL		2824007	1
	ROD ASSY. - Control	ALL		2824297	1
	TRUNNION - Control rod	ALL		2814030	1
	SLEEVE - Trunnion	ALL		2814031	1
	INSULATOR - Trunnion	ALL		2814033	1
	WASHER - Trunnion	ALL		1367656	1
	WASHER - Trunnion	ALL		9417098	1
	SCREW - Trunnion	ALL		SP2459	1
	RETAINER - Rod	ALL		3749084	1

TORANA "LX" PARTS CATALOGUE

GROUP	DESCRIPTION	MODEL	SIDE	PART No.	QTY.
TRANSMISSION ASSEMBLY, THREE SPEED MANUAL CONTROL FULLY SYNCHRONIZED					
FITTED IN RIGHT HAND DRIVE VEHICLES EQUIPPED WITH 6 CYLINDER ENGINES					
4.046A	LEVER – 2nd & 3rd shifter				
	LEVER	ALL		2824006	1
	NUT - Lever	ALL		7417652	1
	WASHER - Lever	ALL		SP1486	1
4.050A	LEVER – 1st & reverse shifter				
	LEVER	ALL		2824005	1
	NUT - Lever	ALL		7417652	1
	WASHER - Lever	ALL		SP1486	1
4.081A	MOUNTING, ARRESTOR – Transmission support				
	MOUNTING ASSY.	ALL		7432235	1
	ARRESTOR - Engine rear mounting	ALL		7432222	1
	REINFORCEMENT	ALL		9928656	1
	BOLT - Mounting to support	ALL		122246	2
	BOLT - Mounting & arrestor to trans.	ALL		122279	2
	WASHER - Mounting	ALL		120383	4
4.103A	CASE – Transmission				
	CASE	Exc. Taxi Equipment		2822933	1
	CASE	Taxi Equipment		2815700	1
	PLUG - Transmission filler	ALL		7400181	1
	GASKET - Annular 3/4" filler plug	ALL		113897	1
	MAGNET - Chip collector	ALL		3787240	1
4.105A	COVER - Transmission				
	COVER	ALL		7433771	1
	BOLT - Cover to case	ALL		SP2141	4
	BOLT - Cover to case	ALL		SP2090	3
4.109A	GASKET – Transmission cover				
	GASKET	ALL		7433769	1
4.303A	FORK – Transmission shifter shaft 2nd & 3rd				
	FORK	ALL		7433775	1
4.304A	FORK – Transmission shifter 1st & reverse				
	FORK	ALL		7433774	1
4.309A	SHAFT, SEAL – Transmission shift fork				
	SHAFT ASSY.	ALL		7433869	2
	SEAL - Transmission shifter shaft	ALL		7430136	2
4.311A	CAM, SPRING - Transmission detent				
	CAM - 1st & reverse detent	ALL		7433772	1
	CAM - 2nd & reverse detent	ALL		7433773	1
	PIN - Detent cam	ALL		SP2094	1
	SPRING - Detent cam	ALL		7433927	1
4.317A	HOUSING, ADAPTOR, BUSHING, SEAL – Transmission extension				
	HOUSING ASSY.	ALL		7433768	1
	ADAPTOR - Transmission rear bearing	ALL		7433998	1
	BUSHING - Housing	ALL		3717682	1
	SEAL - Housing	ALL		3932255	1
	WASHER - Housing to case	ALL		7400256	1
	BOLT - Housing to case	ALL		180124	1
	BOLT & WASHER - Housing to case	ALL		SP2599	4

CHASSIS

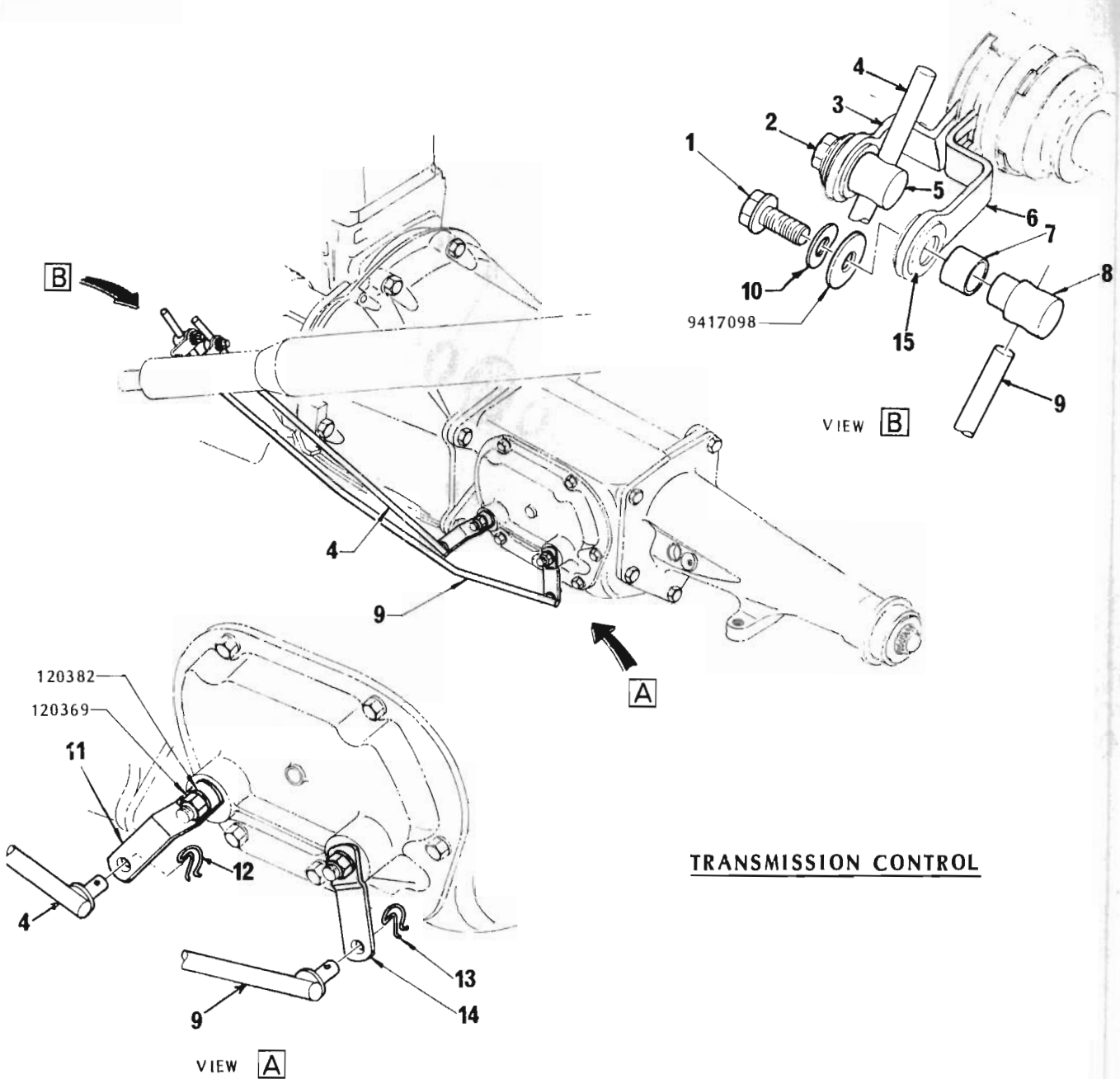
TORANA "LX" PARTS CATALOGUE

GROUP	DESCRIPTION	MODEL	SIDE	PART No.	QTY.
TRANSMISSION ASSEMBLY, THREE SPEED MANUAL CONTROL FULLY SYNCHRONIZED FITTED IN RIGHT HAND DRIVE VEHICLES EQUIPPED WITH 6 CYLINDER ENGINES					
4.318A	GASKET – Transmission extension housing				
	GASKET	ALL		7433767	1
4.337A	GEAR – Speedometer driven and drive				
	GEAR - Driven - 21 teeth - Green	3.08: 1 A.R.		7430969	1
	GEAR - Driven - 23 teeth - Red	3.36: 1 A.R.		7430971	1
	GEAR - Drive	ALL		7437317	1
	CLIP - Drive gear	ALL		1373122	1
4.338A	"O" RING - Speedometer driven and drive gear				
	"O" RING - 1 3/16" x 1/8"	ALL		7430921	1
4.342A	CABLE and CASING – Speedometer				
	CABLE & CASING	ALL	9943807	(2824560)	1
	CABLE KIT	ALL		VS12415	1
	CLIP - Pipe & cable to side member	ALL		SP1885	1
	CLIP - Cable to floor pan	ALL		7434452	1
	RETAINER - Casing drive end	ALL		7430917	1
	SEAL - Speedometer shaft	ALL		7434266	1
	RETAINER - Seal (nylon)	ALL		2817874	1
	BOLT & LOCKWASHER - Drive end retainer	ALL		SP2047	1
4.351A	GEAR – Clutch				
	GEAR	ALL		9930921	1
4.352A	BEARING – Mainshaft front				
	BEARING - Needle roller	ALL		7400162	15
	BEARING PACKAGE	ALL		7449495	1
4.354A	SEAL – Clutch gear oil				
	SEAL ASSY.	ALL		3987936	1
4.355A	BEARING – Clutch gear				
	BEARING ASSY.	ALL		7429999	1
4.356A	RETAINER – Clutch gear bearing				
	RETAINER	ALL		9930909	1
	BOLT - Bearing guide to trans. case	ALL		179816	4
4.358A	GASKET – Clutch gear bearing retainer				
	GASKET	ALL		591022	1
4.376A	RING – Clutch gear bearing retainer				
	RING - .088" thick	ALL		(6 3775052)	1
	RING - .094" thick	ALL		(6 3775050)	1
4.380A	SYNCHRONIZER – Transmission				
	SYNCHRONIZER ASSY. - 1st & reverse	ALL		7435045	1
	SYNCHRONIZER ASSY. - 2nd & 3rd	ALL		7435044	1
4.382A	RING – Transmission synchronizer				
	RING - 2nd & 3rd synchro to mainshaft	ALL		3775089	1

Note: (6 Selective fit.

TORANA "LX" PARTS CATALOGUE

GROUP	DESCRIPTION	MODEL	SIDE	PART No.	QTY.
TRANSMISSION ASSEMBLY, THREE SPEED MANUAL CONTROL FULLY SYNCHRONIZED					
FITTED IN RIGHT HAND DRIVE VEHICLES EQUIPPED WITH 6 CYLINDER ENGINES					
4.383A	SPRING, RING – Transmission synchronizer				
	SPRING – 1st & reverse	ALL		7437055	2
	SPRING – 2nd & 3rd	ALL		7438527	2
	RING – Blocking	ALL		7434978	3
4.384A	KEY – Transmission synchronizer				
	KEY – 1st & reverse	ALL		7435047	3
	KEY – 2nd & 3rd	ALL		7435043	3
4.395A	GEAR – Mainshaft second speed				
	GEAR	ALL		7433830	1
4.403A	SHAFT – Transmission main				
	SHAFT	ALL		7433871	1
4.408A	BEARING – Mainshaft rear				
	BEARING ASSY.	ALL		7433929	1
4.412A	RING – Mainshaft lock				
	RING	ALL		3707189	1
4.418A	GEAR – Mainshaft 1st speed				
	GEAR	ALL		7434308	1
4.421A	GEAR – Counter				
	GEAR	ALL		7434307	1
4.422A	BEARING – Counter gear				
	NEEDLE ROLLER	ALL		9414193	92
	BEARING PACKAGE	ALL		7449496	1
4.423A	WASHER – Counter shaft				
	WASHER – Bearing	ALL		3775063	6
	SPACER – Bearing	ALL		7433928	1
	WASHER – Gear thrust	ALL		7433776	2
4.428A	SHAFT – Counter gear				
	SHAFT	ALL		3775061	1
4.430A	GEAR – Reverse idler				
	GEAR ASSY.	ALL		7433868	1
4.431A	SPACER – Reverse idler gear				
	SPACER	ALL		2814480	1
4.433A	SHAFT, KEY – Reverse idler gear				
	SHAFT	ALL		2814481	1
	KEY	ALL		7433986	1

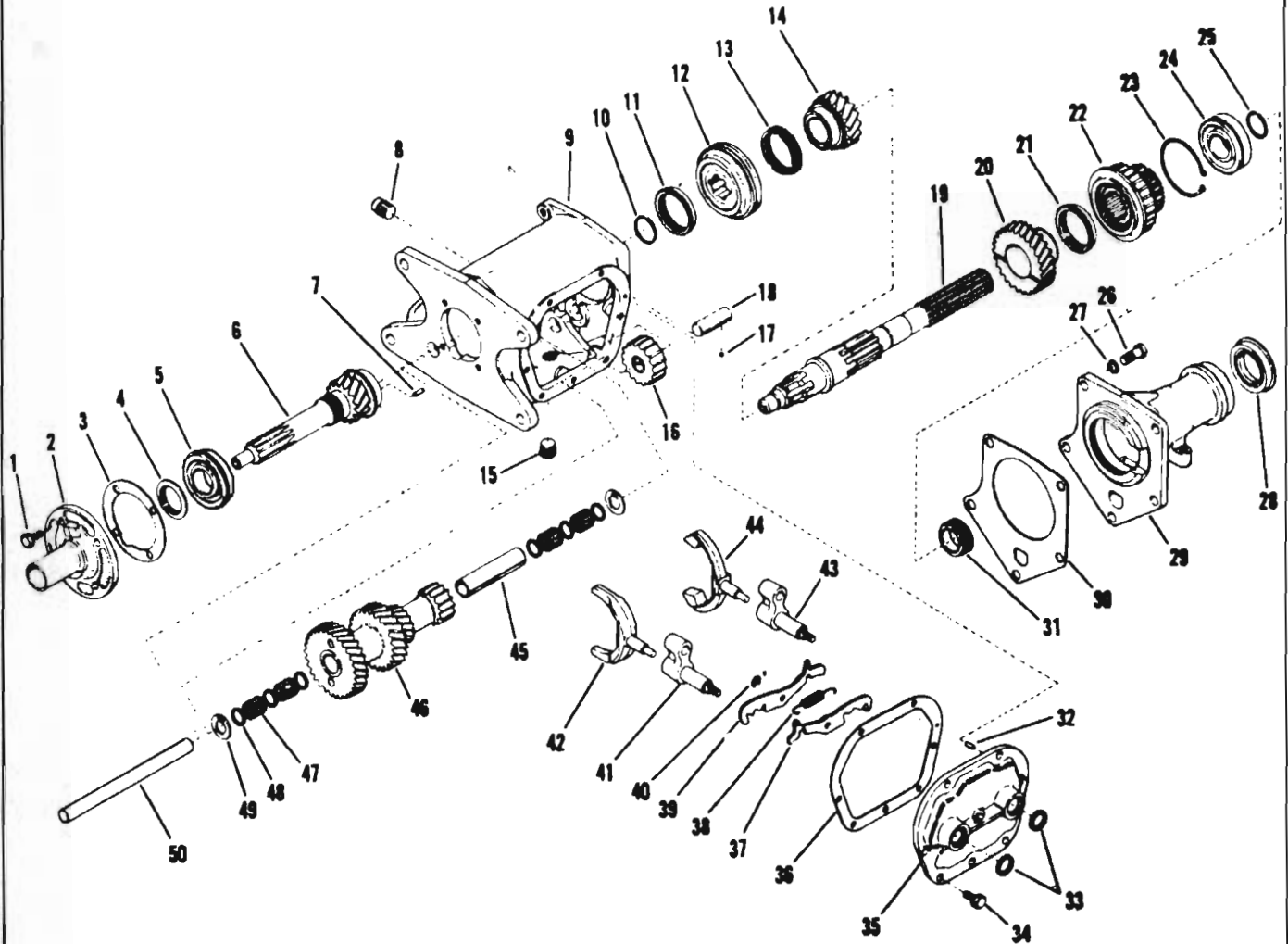


TRANSMISSION CONTROL

TRANSMISSION ASSEMBLY, THREE SPEED MANUAL CONTROL
Fitted only in LEFT HAND DRIVE vehicles

ILLUS. REF. NO.	PART NAME	GROUP	ILLUS. REF. NO.	PART NAME	GROUP
1.	SCREW - Trunnion	4.020	9.	ROD - Control	4.020
2.	SCREW - Trunnion	4.019	10.	WASHER - Trunnion	4.020
3.	LEVER ASSY. - Lower	4.019	11.	LEVER - 2nd & 3rd external	4.046
4.	ROD ASSY. - Control	4.019	12.	RETAINER - Rod	4.019
5.	TRUNNION - Control rod	4.019	13.	RETAINER - Rod	4.020
6.	LEVER - 1st & rev. shift	4.020	14.	LEVER - 1st & reverse external	4.050
7.	SLEEVE - Trunnion	4.020	15.	INSULATOR - Trunnion	4.020
8.	TRUNNION - Control rod.....	4.020			

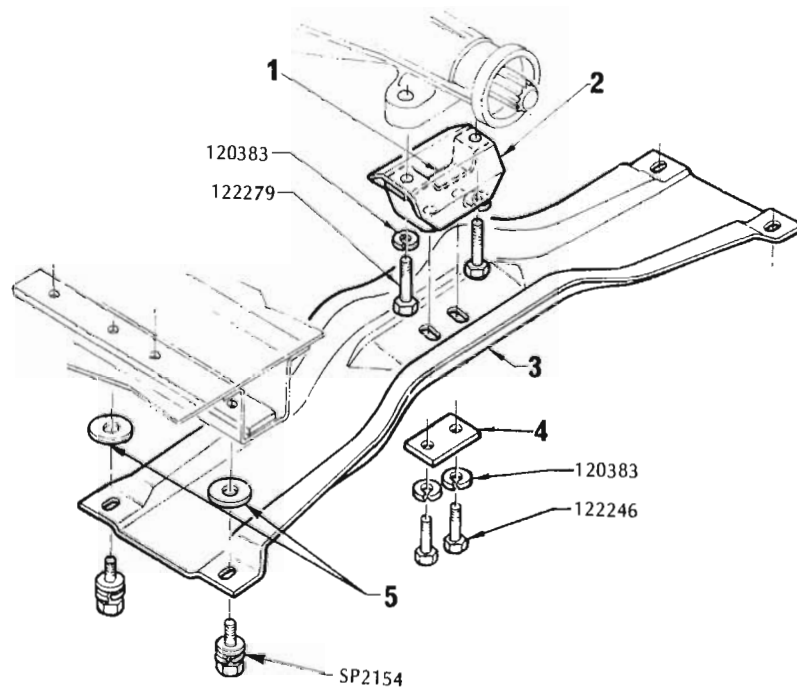
TRANSMISSION CASE AND GEARS
3 SPEED MANUAL CONTROL
Fitted only in LEFT HAND DRIVE vehicles



**TRANSMISSION CASE AND GEARS
3 SPEED MANUAL CONTROL
Fitted only in LEFT HAND DRIVE vehicles**

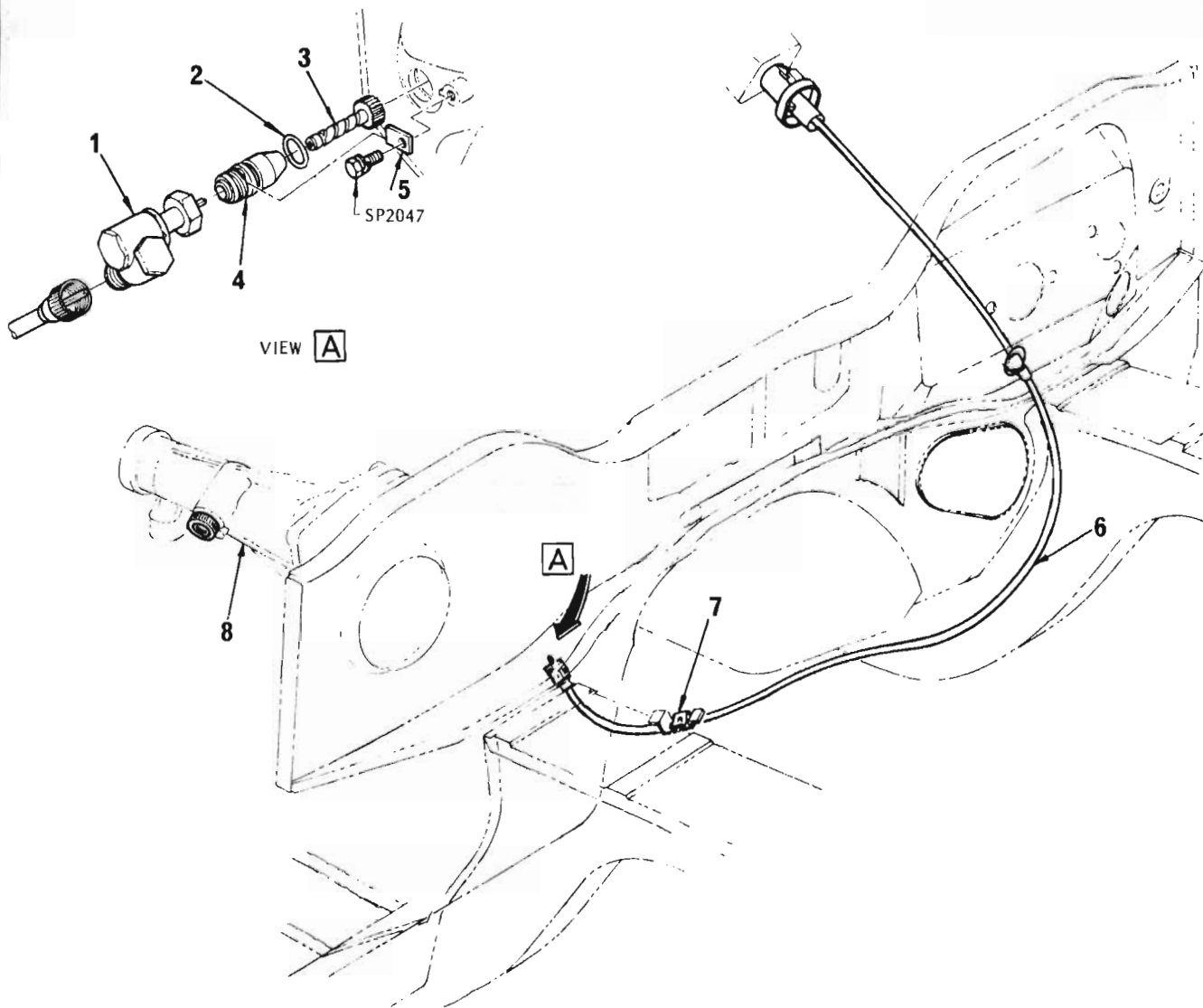
ILLUSTRATION OPPOSITE

ILLUS. REF. NO.	PART NAME	GROUP
1.	BOLT - Hex. hd.	8.900
2.	RETAINER - Clutch gear bearing	4.356
3.	GASKET - Clutch gear bearing retainer	4.358
4.	NUT - Clutch gear bearing retainer	4.357
5.	BEARING - Clutch gear	4.355
6.	GEAR - Clutch	4.351
7.	BEARING PACKAGE - Main shaft front	4.352
8.	PLUG - Filler	4.103
9.	CASE	4.103
10.	RING - 2nd & 3rd synchronizer retainer	4.382
11.	SPRING - 2nd & 3rd synchronizer	4.383
12.	SYNCHRONIZER ASSY. - 2nd & 3rd	4.380
13.	SPRING - 2nd & 3rd synchronizer	4.383
14.	GEAR - Main shaft second speed	4.395
15.	PLUG - Drain	4.103
16.	GEAR - Reverse idler	4.430
17.	BALL - Reverse gear shaft	4.433
18.	SHAFT - Reverse idler gear	4.433
19.	SHAFT - Main	4.403
20.	GEAR - Main shaft first speed	4.418
21.	SPRING - 1st & reverse synchronizer	4.383
22.	SYNCHRONIZER ASSY. - 1st & reverse	4.380
23.	RING - Locating	4.412
24.	BEARING - Main shaft rear	4.408
25.	RING - Retaining .086" - .088" thick	4.412
	.089" - .091" thick	4.412
	.092" - .094" thick	4.412
	.095" - .097" thick	4.412
26.	BOLT - Hex.hd.	8.900
27.	WASHER - Lock	8.931
28.	SEAL - Housing	4.317
29.	HOUSING - Extension	4.317
30.	GASKET - Extension housing	4.318
31.	GEAR - Speedometer drive	4.337
32.	PIN - Dowel	8.939
33.	SEAL - Shift shaft	4.309
34.	BOLT - Hex. hd.	8.900
35.	COVER	4.105
36.	GASKET - Cover	4.109
37.	CAM - 1st & reverse detent	4.311
38.	SPRING - Detent cam	4.311
39.	CAM - 2nd & 3rd detent	4.311
40.	RING - Detent cam retainer	4.311
41/42.	SHAFT & FORK - 2nd & 3rd shift	4.309
42.	FORK - 2nd & 3rd shift	4.303
43/44.	SHAFT & FORK - 1st & reverse shift	4.309
44.	FORK - 1st & reverse shift	4.304
45.	SPACER - Bearing	4.423
46.	GEAR - Counter	4.421
47.	BEARING PACKAGE - Counter gear	4.422
48.	WASHER - Bearing	4.423
49.	WASHER - Gear thrust	4.423
50.	SHAFT - Counter gear	4.428



TRANSMISSION MOUNTING

ILLUS. REF. NO.	PART NAME	GROUP
1.	ARRESTOR - Rear mounting	4.081
2.	MOUNTING ASSEMBLY	4.081
3.	SUPPORT - Engine rear mounting	12.982
4.	REINFORCEMENT	4.081
5.	SPACER - Support to underbody	12.982



SPEEDOMETER DRIVE

ILLUS. REF. NO.	PART NAME	GROUP	ILLUS. REF. NO.	PART NAME	GROUP
1.	ADAPTOR – Drive right angle	4.337	5.	RETAINER	4.337
2.	"O" RING	4.338	6.	CABLE and CASING	4.342
3.	GEAR – Driven	4.337	7.	CLIP – Cable to floor pan	4.342
4.	GUIDE – Driven gear	4.338	8.	HOUSING – Trans. extension	4.317

NOTES

A large rectangular area containing 25 horizontal lines for writing notes.

TORANA "LX" PARTS CATALOGUE

GROUP	DESCRIPTION	MODEL	SIDE	PART No.	QTY.
TRANSMISSION ASSEMBLY, THREE SPEED MANUAL CONTROL, FULLY SYNCHRONIZED					
Fitted only in LEFT HAND DRIVE vehicles					
4.003B TRANSMISSION					
	TRANSMISSION ASSY.	ALL		9930295	1
	BOLT - Trans assy. to clutch housing	ALL		100161	4
	WASHER - Trans assy. to clutch housing.	ALL		103329	4
4.006B LEVER - Gearshift control					
	LEVER	ALL		9934376	1
4.007B TUBE - Gearshift control					
	TUBE ASSY.	ALL		9928846	1
	PIN	ALL		7429551	1
4.009B KNOB - Gearshift control lever					
	KNOB - Black	ALL		2813559BA	1
	KNOB - Tan	VC		2813559DX	1
	KNOB - Covert	VC		2813559DY	1
4.017B SPRING - Gearshift					
	SPRING - Lower control	ALL		7433264	1
	SPRING - Selector return	ALL		2807897	1
4.018B SUPPORT - Gearshift control					
	SUPPORT	ALL		9933745	1
	SPACER	ALL		9933746	1
	WASHER - Support	ALL		9933747	1
4.019B LEVER, RETAINER, ROD, TRUNNION, INSULATOR - Gearshift 2nd and 3rd shift					
	LEVER ASSY. - 2nd & 3rd shift	ALL		2813961	1
	RETAINER - 2nd & 3rd shift lever	ALL		9933749	1
	SPACER - Lower lever	ALL		2807707	1
	ROD ASSY. - Control	ALL		9929514	1
	TRUNNION - Control rod	ALL		2814030	1
	SLEEVE - Trunnion	ALL		2814031	1
	INSULATOR - Trunnion	ALL		2814033	1
	WASHER - Trunnion	ALL		1367656	1
	WASHER - 2nd & 3rd gear shift rod to trunnion	ALL		9417098	1
	SCREW - Trunnion	ALL		SP2459	1
	RETAINER - Rod	ALL		3749084	1
4.020B LEVER, ROD, TRUNNION, SLEEVE, RETAINER - Gearshift 1st & reverse shift					
	LEVER - 1st & rev. shift	ALL		2813961	1
	ROD - Control	ALL		9929513	1
	TRUNNION - Control rod	ALL		2814030	1
	SLEEVE - Trunnion	ALL		2814031	1
	INSULATOR - Trunnion	ALL		2814033	1
	WASHER - Trunnion	ALL		1367656	1
	WASHER - 1st & rev. gear shift rod to trunnion	ALL		9417098	1
	SCREW - Trunnion	ALL		SP2459	1
	RETAINER - Rod	ALL		3749084	1
4.046B LEVER - 2nd and 3rd shifter					
	LEVER - 2nd and 3rd external	ALL		9929549	1
	WASHER	ALL		120382	1
	NUT	ALL		120369	1

TORANA "LX" PARTS CATALOGUE

GROUP	DESCRIPTION	MODEL	SIDE	PART No.	QTY.
TRANSMISSION ASSEMBLY, THREE SPEED MANUAL CONTROL, FULLY SYNCHRONIZED					
Fitted only in LEFT HAND DRIVE vehicles					
4.050B	LEVER – 1st and reverse				
	LEVER - 1st and reverse external	ALL		9929548	1
	WASHER	ALL		120382	1
	NUT	ALL		120369	1
4.081B	MOUNTING, ARRESTOR – Transmission support				
	MOUNTING ASSY.	ALL		7432235	1
	ARRESTOR - Rear mounting	ALL		7432222	1
	REINFORCEMENT	ALL		9928656	1
	BOLT - Mounting to support	ALL		122246	2
	BOLT - Mounting & arrestor to trans	ALL		122279	2
4.103B	CASE – Transmission				
	CASE	ALL		3293514	1
	PLUG - Transmission filler	ALL		103880	1
	PLUG - Transmission drain	ALL		444787	1
4.105B	COVER – Transmission				
	COVER	ALL		3293540	1
	BOLT - Cover to case.	ALL		179816	7
4.109B	GASKET - Transmission cover				
	GASKET	ALL		3293541	1
4.303B	FORK – Transmission shifter shaft 2nd and 3rd				
	FORK - 2nd and 3rd	ALL		3293547	1
4.304B	FORK – Transmission shifter shaft 1st and reverse				
	FORK - 1st and reverse	ALL		3293548	1
4.309B	SHAFT and FORK – Transmission shift				
	SHAFT & FORK ASSY. - 1st & reverse	ALL		3766603	1
	SHAFT & FORK ASSY. - 2nd & 3rd	ALL		3299051	1
	SEAL - Shift shaft	ALL		3831716	2
4.311B	CAM, SPRING – Transmission detent				
	CAM - 1st and reverse detent	ALL		3293542	1
	CAM - 2nd and 3rd detent	ALL		3293544	1
	RING - Detent cam retainer	ALL		3293545	1
	SPRING - Detent cam	ALL		3293543	1
	PIN - Detent cam	ALL		3299877	1
4.317B	HOUSING, ADAPTOR, BUSHING, SEAL – Transmission extension				
	HOUSING ASSEMBLY	ALL		9930297	1
	BUSHING - Housing	ALL		3717682	1
	SEAL - Housing	ALL		3293532	1
	BOLT & WASHER - Housing to case	ALL		425348	4
	BOLT - Housing to case	ALL		122145	1
	WASHER - Housing to case	ALL		7400256	1
4.318B	GASKET – Transmission extension housing				
	GASKET	ALL		3293535	1
4.337B	GEAR, CLIP – Speedometer driven and drive				
	GEAR - Driven	6 Cyl. Eng. 3.08:1 A.R.		2808570	1
	GEAR - Driven	6 Cyl. Eng. 3.36:1 A.R.		3860346	1
	GEAR - Drive	ALL		3860345	1

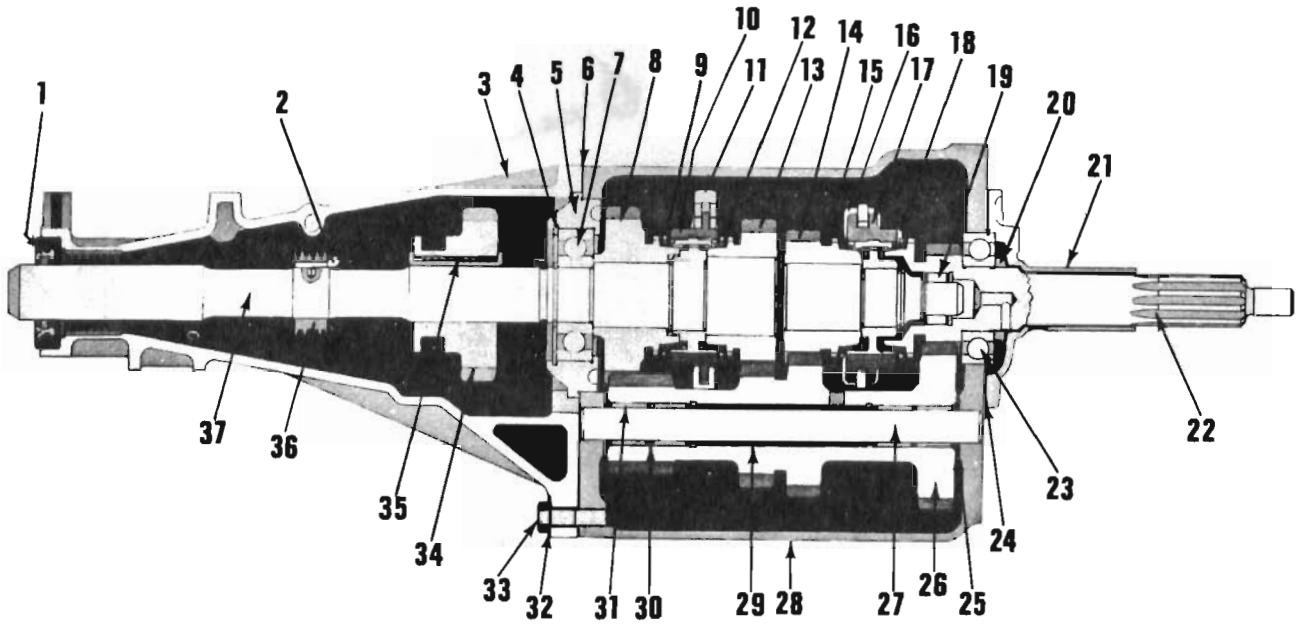
TORANA "LX" PARTS CATALOGUE

GROUP	DESCRIPTION	MODEL	SIDE	PART No.	QTY.
TRANSMISSION ASSEMBLY, THREE SPEED MANUAL CONTROL, FULLY SYNCHRONIZED					
Fitted only in LEFT HAND DRIVE vehicles					
4.337B	GEAR, CLIP – Speedometer driven and drive (contd.)				
	CLIP – Drive gear	ALL		1373122	1
	ADAPTOR – Drive right angle	ALL		9930602	1
	RETAINER – Adaptor	ALL		9936365	1
	BOLT – Retainer to trans. extension	ALL		SP2047	1
4.338B	GUIDE, SEAL – Speedometer driven gear				
	GUIDE	3.08:1 A.R.		2810247	1
	GUIDE	3.36:1 A.R.		3869914	1
	SEAL – "O" RING	ALL		3708146	1
4.342B	CABLE and CASING – Speedometer				
	CABLE and CASING	ALL		9930482	1
	CABLE KIT	ALL		VS12421	1
	CLIP – Cable to floor pan	ALL		7434452	1
4.351B	GEAR – Clutch				
	GEAR	ALL		3297018	1
4.352B	BEARING – Mainshaft front				
	BEARING – Needle roller	ALL		7400162	15
	BEARING PACKAGE	ALL		7449495	1
4.355B	BEARING – Clutch gear				
	BEARING	ALL		907927	1
4.356B	RETAINER – Clutch gear bearing				
	RETAINER	ALL		3741458	1
	BOLT – Retainer to case	ALL		179816	4
4.357B	NUT – Clutch gear bearing retainer				
	NUT	ALL		3293509	1
4.358B	GASKET – Clutch gear bearing retainer				
	GASKET	ALL		591022	1
4.376B	RING – Clutch gear bearing retainer				
	RING	ALL		590849	1
4.380B	SYNCHRONIZER – Transmission				
	SYNCHRONIZER ASSEMBLY – 1st and reverse	ALL		3293526	1
	SYNCHRONIZER ASSEMBLY – 2nd and 3rd	ALL		3293517	1
4.382B	RING – Transmission synchronizer retainer				
	RING – 2nd and 3rd synchro	ALL		3297015	1
4.383B	SPRING, RING – Transmission synchronizer				
	SPRING	ALL		3845202	4
	RING – Blocking	ALL		2765728	3
4.384B	KEY – Transmission synchronizer				
	KEY – 1st and reverse	ALL		2765797	3
	KEY – 2nd and 3rd	ALL		2765729	3

TORANA "LX" PARTS CATALOGUE

GROUP	DESCRIPTION	MODEL	SIDE	PART No.	QTY.
TRANSMISSION ASSEMBLY, THREE SPEED MANUAL CONTROL, FULLY SYNCHRONIZED					
Fitted only in LEFT HAND DRIVE vehicles					
4.395B	GEAR – Mainshaft second speed				
	GEAR	ALL		3297019	1
4.403B	SHAFT – Transmission main				
	SHAFT	ALL		2765798	1
4.408B	BEARING – Mainshaft rear				
	BEARING ASSEMBLY	ALL		43207-S1376A	1
4.412B	RING – Mainshaft bearing				
	RING – Locating	ALL		3707174	1
	RING – Retaining .086"-.088" thick	ALL		(⁶ 3707188	1
	RING – Retaining .089"-.091" thick	ALL		(⁶ 3707189	1
	RING – Retaining .092"-.094" thick	ALL		(⁶ 3707190	1
	RING – Retaining .095"-.097" thick	ALL		(⁶ 3707191	1
4.418B	GEAR – Mainshaft first speed				
	GEAR	ALL		3296941	1
4.421B	GEAR – Counter				
	GEAR	ALL		3293550	1
4.422B	BEARING – Counter gear				
	NEEDLE ROLLER	ALL		9414193	92
	BEARING PACKAGE	ALL		7449496	1
4.423B	WASHER – Counter shaft				
	WASHER – Bearing	ALL		3775063	6
	SPACER – Bearing	ALL		3293549	1
	WASHER – Gear thrust	ALL		3293553	1
4.428B	SHAFT – Counter gear				
	SHAFT	ALL		3299883	1
4.430B	GEAR – Reverse idler				
	GEAR ASSEMBLY	ALL		3293520	1
4.433B	SHAFT, KEY – Reverse idler gear				
	SHAFT	ALL		3293522	1
	BALL	ALL		3293521	1

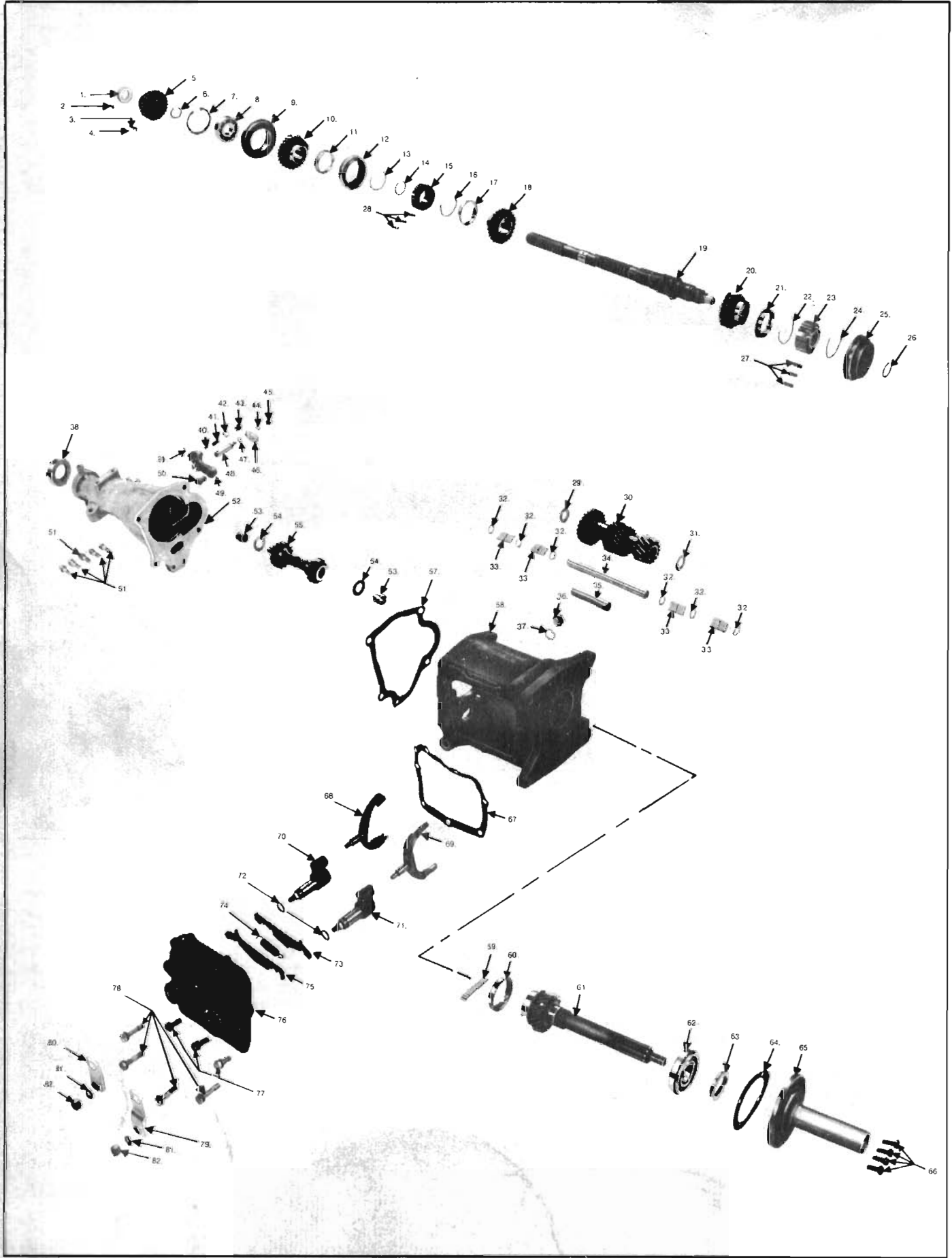
Note: (⁶ Selective fit.



TRANSMISSION ASSEMBLY – FOUR SPEED MANUAL CONTROL

ILLUS. REF. NO.	PART NAME	GROUP	ILLUS. REF. NO.	PART NAME	GROUP
1.	SEAL – Extension housing oil	4.317	20.	NUT – Bearing retainer	4.357
2.	CLIP – Speedometer drive gear	4.337	21.	RETAINER – Clutch gear bearing	4.356
3.	HOUSING – Rear extension	4.317	22.	GEAR – Clutch	4.351
4.	RING – Rear bearing locating	4.412	23.	BEARING – Clutch gear	4.355
5.	ADAPTOR – Rear bearing	4.317	24.	GASKET – Bearing retainer	4.358
6.	GASKET – Extension housing	4.318	25.	WASHER – Counter gear thrust	4.423
7.	BEARING – Mainshaft rear	4.408	26.	GEAR – Counter	4.421
8.	GEAR – First speed	4.418	27.	SHAFT – Counter gear	4.428
9.	RING – Blocking	4.383	28.	CASE – Transmission	4.103
10.	SYNCHRONIZER ASSY. – 1st & 2nd speed..	4.380	29.	SPACER – Counter gear bearing	4.423
11.	FORK – 1st & 2nd speed shift	4.303	30.	WASHER – Counter shaft bearing	4.423
12.	RING – Blocking	4.383	31.	BEARING – Needle roller	4.422
13.	GEAR – 2nd speed	4.395	32.	WASHER	4.317
14.	GEAR – 3rd speed	4.415	33.	BOLT – Hex.hd. 3/8" – 16 x 1.1/8" w/washer	8.900
15.	RING – Blocking	4.383	34.	GEAR – Reverse	4.418
16.	FORK – 3rd & 4th speed shift	4.303	35.	PLATE – Reverse gear anti-lash	4.419
17.	SYNCHRONIZER ASSY. – 3rd & 4th speed..	4.380	36.	GEAR – Speedometer drive	4.337
18.	RING – Blocking	4.383	37.	SHAFT – Main	4.403
19.	BEARING – Needle roller	4.352			

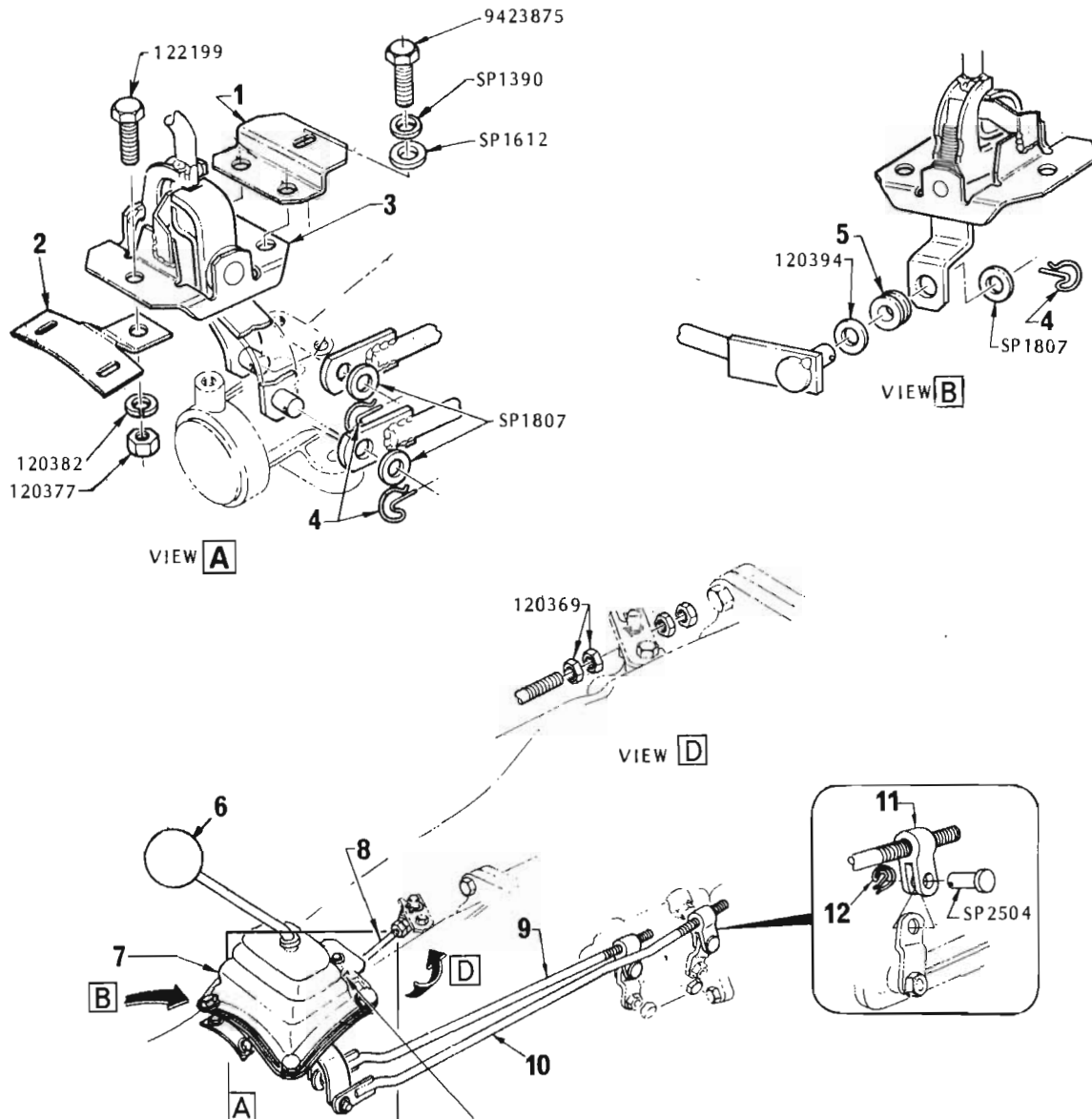
TORANA "LX" PARTS CATALOGUE



**TRANSMISSION CASE AND GEARS
4 SPEED MANUAL CONTROL**

ILLUSTRATION OPPOSITE

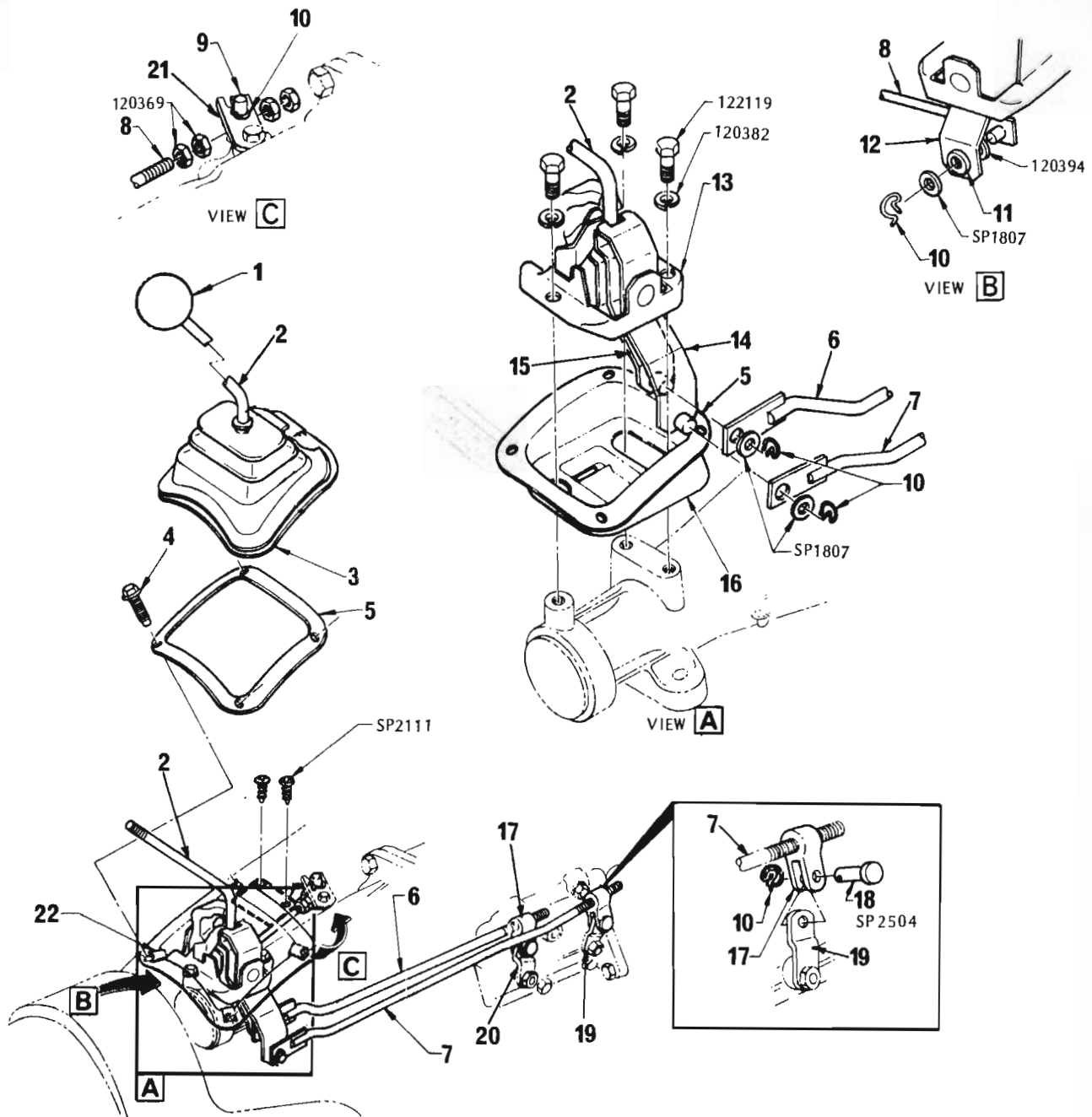
ILLUS. REF. NO.	PART NAME	GROUP	ILLUS. REF. NO.	PART NAME	GROUP
1.	GEAR - Drive	4.337	41.	SPRING - Reverse detent	4.311
2.	CLIP - Drive gear	4.337	42.	WASHER - Reverse detent	4.311
3.	SPRING - Anti lash plate	4.419	43.	BOLT	8.900
4.	PLATE - Anti lash	4.419	44.	WASHER - Lock	8.931
5.	GEAR - Reverse	4.418	45.	NUT - Lever to shaft	4.045
6.	RING - Mainshaft lock	4.412	46.	LEVER - Reverse, external	4.045
7.	RING - Locating	4.412	47.	SEAL - "O" Ring reverse shift shaft	4.309
8.	BEARING - Rear	4.408	48.	SHAFT - Reverse shift	4.309
9.	ADAPTOR - Rear bearing	4.317	49.	LEVER - Reverse internal shift	4.316
10.	GEAR - First speed	4.418	50.	YOKE - Reverse shifter	4.304
11.	RING - Blocking	4.383	51.	BOLT	8.900
12/13/15/16	SYNCHRONIZER ASSY. - 1st & 2nd speed	4.380	52.	HOUSING - Rear extension	4.317
13.	SPRING - Synchronizer - 1st & 2nd speed	4.383	53.	BUSHING - Reverse idler	4.433
14.	RING - Synchronizer retainer - 1st & 2nd speed	4.382	54.	WASHER - Idler gear thrust	4.432
16.	SPRING - Synchronizer 1st & 2nd speed	4.383	55.	GEAR - Reverse idler	4.430
17.	RING - Blocking	4.383	56.	GEAR - Reverse idler	4.430
18.	GEAR - 2nd speed	4.395	57.	GASKET - Rear extension housing	4.318
19.	SHAFT - Main	4.403	58.	CASE - Transmission	4.103
20.	GEAR - 3rd speed	4.415	59.	BEARING - Needle roller	4.352
21.	RING - Blocking	4.383	60.	RING - Blocking	4.383
22.	SPRING - Synchronizer 3rd & 4th speed	4.383	61.	GEAR - Clutch	4.351
22/23/24/25	SYNCHRONIZER ASSY. - 3rd & 4th speed	4.380	62.	BEARING - Clutch gear	4.355
24.	SPRING - Synchronizer 3rd & 4th speed	4.383	63.	RING - Clutch gear bearing retainer	4.357
26.	RING - Synchronizer retainer 3rd & 4th speed	4.382	64.	GASKET - Bearing retainer	4.358
27.	KEY - Synchronizer 3rd & 4th speed	4.384	65.	RETAINER - Clutch gear bearing	4.356
28.	KEY - Synchronizer 1st & 2nd speed	4.384	66.	BOLT	8.900
29.	WASHER - Gear thrust	4.423	67.	GASKET - Cover	4.109
30.	GEAR - Counter	4.421	68.	FORK - 1st & 2nd speed shift	4.303
31.	WASHER - Gear thrust	4.423	69.	FORK - 3rd & 4th speed shift	4.303
32.	WASHER - Counter shaft bearing	4.423	70.	SHAFT ASSY. - Shifter fork	4.309
33.	BEARING - Needle roller	4.422	71.	SHAFT ASSY. - Shifter fork	4.309
34.	SHAFT - Counter gear	4.428	72.	SEAL - "O" Ring shift shaft	4.309
35.	SPACER - Counter gear bearing	4.423	73.	CAM - 1st & 2nd speed detent	4.311
36.	PLUG - Filler	4.103	74.	SPRING - Detent cam	4.311
37.	GASKET - Filler plug	4.103	75.	CAM - 3rd & 4th speed detent	4.311
38.	SEAL - Extension housing oil	4.317	76.	COVER	4.105
39.	PIN	8.941	77.	BOLT	8.900
40.	BALL - Reverse detent	4.311	78.	BOLT	8.900
			79.	LEVER - 3rd & 4th speed shift	4.045
			80.	LEVER - 1st & 2nd speed shift	4.045
			81.	WASHER - Lock	8.931
			82.	NUT - Lever to shaft	4.045



TRANSMISSION CONTROL LINKAGE

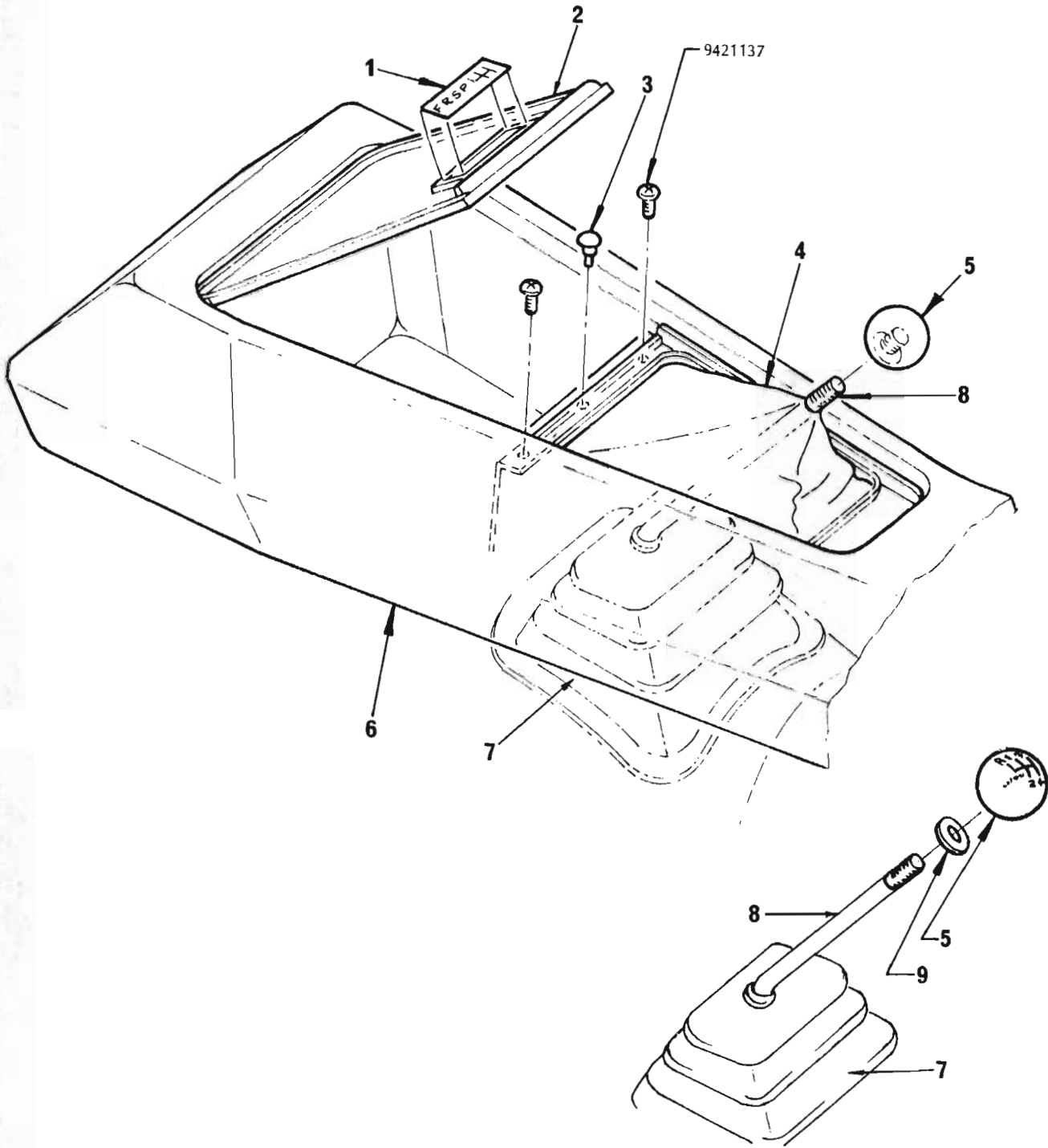
4 Cylinder Engine

ILLUS. REF. NO.	PART NAME	GROUP	ILLUS. REF. NO.	PART NAME	GROUP
1.	BRACKET - Front mounting	4.006	7.	BOOT - Floor pan	4.015
2.	BRACKET - Rear mounting	4.006	8.	ROD - Reverse	4.035
3.	MOUNTING & LEVER ASSY.	4.006	9.	ROD - 1st and 2nd speed	4.035
4.	RETAINER - Shifter rods	4.035	10.	ROD - 3rd and 4th speed	4.035
5.	INSULATOR	4.035	11.	ADJUSTER	4.035
6.	KNOB - Gearshift	4.009	12.	RETAINER - Shift lever pin	4.035



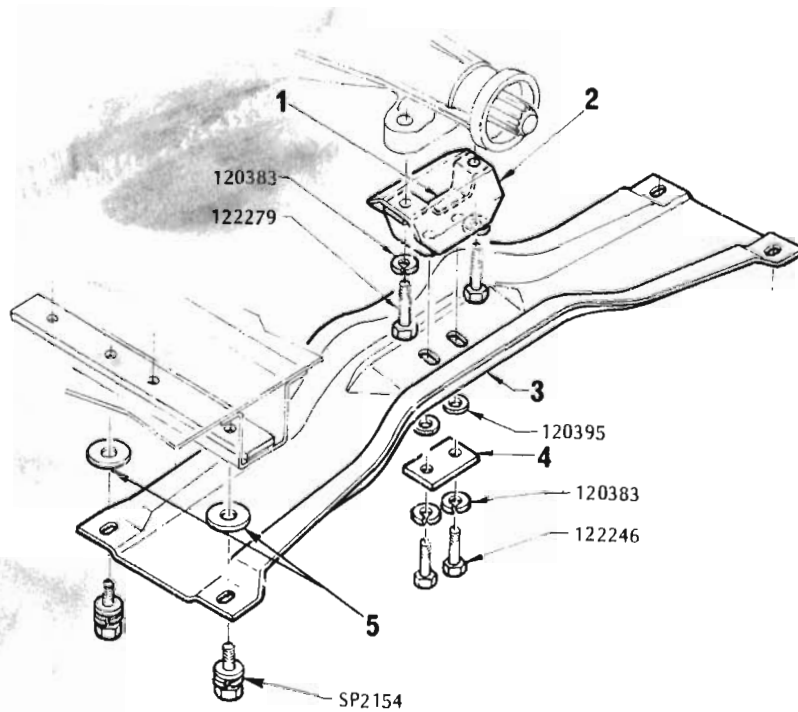
TRANSMISSION CONTROL LINKAGE
6 & 8 Cylinder Engines

ILLUS. REF. NO.	PART NAME	GROUP	ILLUS. REF. NO.	PART NAME	GROUP
1.	KNOB	4.009	13.	MOUNTING & LEVER ASSEMBLY	4.006
2.	LEVER & YOKE ASSEMBLY	4.006	14.	LEVER - 3rd & 4th shift	4.030
3.	BOOT - Floor pan	4.015	15.	LEVER - 1st & 2nd shift	4.030
4.	SCREW - Retainer to floor pan	4.015	16.	SEAL	4.015
5.	RETAINER - Floor pan boot	4.015	17.	AD JUSTER	4.035
6.	ROD - 1st & 2nd speed	4.035	18.	PIN - Adjuster	4.035
7.	ROD - 3rd & 4th speed	4.035	19.	LEVER - 3rd & 4th speed	4.045
8.	ROD - Reverse	4.035	20.	LEVER - 1st & 2nd speed	4.045
9.	TRUNNION - Reverse rod	4.035	21.	LEVER - Reverse speed	4.045
10.	RETAINER - Shifter rods	4.035	22.	NUT - Retainer screw	4.015
11.	INSULATOR	4.035			
12.	LEVER - Reverse shift	4.030			



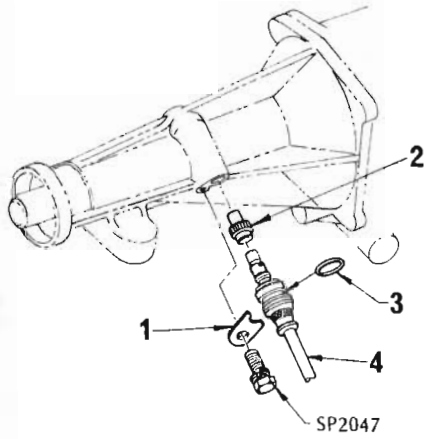
TRANSMISSION CONTROL

ILLUS. REF. NO.	PART NAME	GROUP	ILLUS. REF. NO.	PART NAME	GROUP
1.	INSERT – Manual gearshift pattern	15.292	6.	HOUSING	15.290
2.	LID ASSEMBLY	15.292	7.	BOOT – Floor pan	4.015
3.	BUMPER – Lid	15.292	8.	LEVER & YOKE ASSEMBLY	4.006
4.	BOOT – Console	4.015	9.	NUT	4.009
5.	KNOB	4.009			

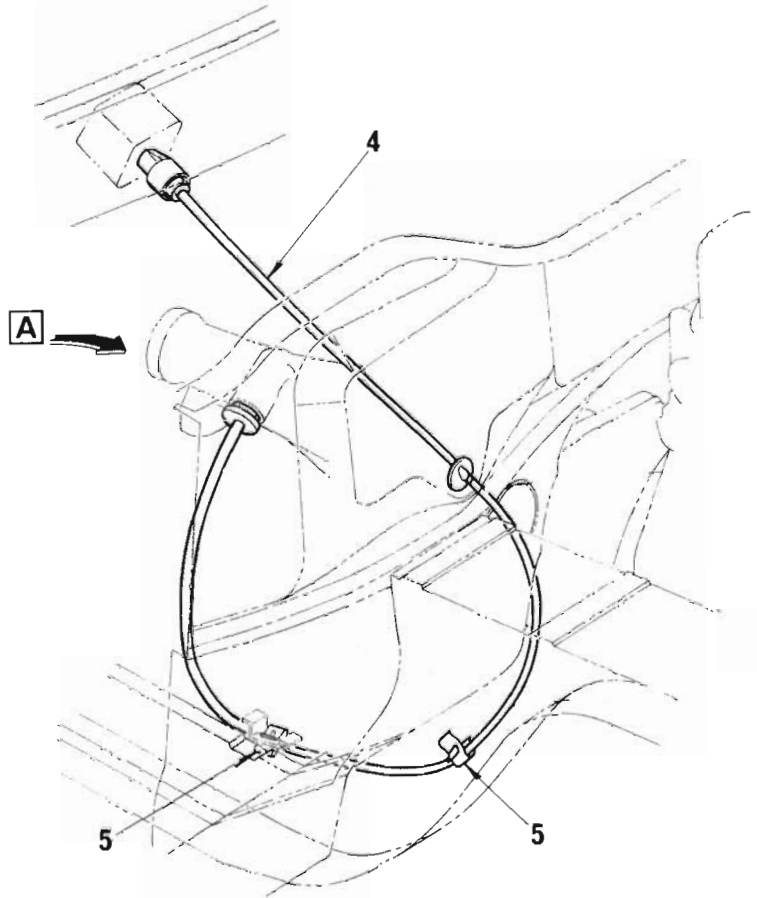


TRANSMISSION MOUNTING

ILLUS. REF. NO.	PART NAME	GROUP
1.	ARRESTOR	4.081
2.	MOUNTING ASSEMBLY	4.081
3.	SUPPORT - Engine rear mounling	12.982
4.	REINFORCEMENT	4.081
5.	SPACER - Support to underbody	12.982



VIEW **A**



SPEEDOMETER DRIVE

ILLUS. REF. NO.	PART NAME	GROUP
1.	RETAINER - Drive end	4.342
2.	GEAR - Driven	4.337
3.	SEAL - "O" Ring	4.338
4.	CABLE & CASING	4.342
5.	CLIP - Cable	4.342

TORANA "LX" PARTS CATALOGUE

GROUP	DESCRIPTION	MODEL	SIDE	PART No.	QTY.
TRANSMISSION ASSEMBLY, FOUR SPEED MANUAL CONTROL					
FITTED IN VEHICLES EQUIPPED WITH 6 AND 8 CYLINDER ENGINES (PRODUCTION OPTION CODE M20, M21)					
4.003F TRANSMISSION					
	TRANSMISSION ASSEMBLY	6 Cyl. Eng.		9937026	1
	TRANSMISSION ASSEMBLY	4.2 Litre Eng.		9937027	1
	TRANSMISSION ASSEMBLY	5 Litre Eng.		9937029	1
	OVERHAUL KIT	ALL		M37557	1
	BOLT Trans. to clutch housing	ALL		SP2029	4
4.006F LEVER – Gearshift control					
	MOUNTING & LEVER ASSEMBLY	ALL		9937338	1
	BOLT – Mounting & lever assy. to trans. extension	ALL		122119	3
	WASHER – Mounting & lever assy. to trans. extension	ALL		120382	3
	LEVER & YOKE ASSEMBLY	ALL		9937391	1
	BUSHING – Control lever	ALL		9937336	1
	SPRING – Lever & yoke pre-load	ALL		2822917	1
4.009F KNOB – Gearshift control lever					
	KNOB	Sedan		2817737	1
	KNOB	Hatchback		2817736	1
	NUT – Knob lock	Hatchback		2805499	1
4.010F MOUNTING – Gearshift control lever					
	MOUNTING ASSEMBLY	ALL		2814941	1
4.015F BOOT, RETAINER, SEAL – Gearshift control					
	BOOT – Floor pan	ALL		9936770	1
	RETAINER – Floor pan boot	ALL		2811344	1
	SCREW – Retainer to floor pan	ALL		SP2211	4
	NUT – Retainer screw	ALL		SP2024	4
	SEAL	ALL		9930616	1
	BOOT – Console	ALL		2817276	1
	RETAINER – Console boot	ALL		2816967	1
	NUT – Boot to cover	ALL		SP1534	7
	FERRULE – Boot	ALL		2818652	1
	'O' RING – Boot to ferrule	ALL		SP2216	1
4.030F LEVER, SPRING, SHAFT, WASHER – Transmission control					
	LEVER – 1st & 2nd shift	ALL		2811327	1
	LEVER – 3rd & 4th shift	ALL		2811328	1
	LEVER – Reverse shift	ALL		2811329	1
	SPRING – Reverse lockout	ALL		2819001	1
	SLEEVE – Reverse lockout spring	ALL		2820682	1
	SHAFT – Control lever	ALL		2814806	1
	BOLT – Shaft retaining	ALL		436567	1
	WASHER – Shaft retainer	ALL		SP2178	1
	WASHER – 3rd & 4th shift lever pre-load	ALL		2814887	1
4.035F ROD, CLAMP, TRUNNION, RETAINER – Transmission shifter					
	ROD – 1st & 2nd speed	ALL		9932306	1
	ADJUSTER – 1st & 2nd speed rod	ALL		2806521	1
	PIN – Adjuster to lever	ALL		SP2504	1
	RETAINER – Pin	ALL		3749084	1
	ROD – 3rd & 4th speed	ALL		9932307	1
	ADJUSTER – 3rd & 4th speed rod	ALL		2806521	1
	PIN – Adjuster to lever	ALL		SP2504	1
	RETAINER – Pin	ALL		3749084	1
	ROD – Reverse	ALL		2811024	1
	TRUNNION – Reverse rod	ALL		2812082	1
	RETAINER – Trunnion	ALL		3749084	1
	INSULATOR	ALL		7418439	1

TORANA "LX" PARTS CATALOGUE

GROUP	DESCRIPTION	MODEL	SIDE	PART No.	QTY.
TRANSMISSION ASSEMBLY, FOUR SPEED MANUAL CONTROL					
FITTED IN VEHICLES EQUIPPED WITH 6 AND 8 CYLINDER ENGINES (PRODUCTION OPTION CODE M20, M21)					
4.035F ROD, CLAMP, TRUNNION, RETAINER – Transmission shifter (contd.)					
	WASHER – Reverse rod to control lever	ALL		120394	1
	NUT – Reverse rod to trunnion	ALL		120369	4
	RETAINER – Shifter rods to control levers	ALL		3749084	3
	WASHER – Shifter rods to control levers	ALL		SP1807	3
4.045F LEVER – Transmission shifter shaft					
	LEVER – 1st & 2nd speed	ALL		9932304	1
	LEVER – 3rd & 4th speed	ALL		9932305	1
	LEVER – Reverse speed	ALL		2811032	1
	NUT – Levers to shaft	ALL		7417652	3
	WASHER – Lever to shaft	ALL		SP1486	3
4.081F MOUNTING – Transmission support					
	MOUNTING ASSEMBLY	ALL		7432235	1
	ARRESTOR	ALL		7432222	1
	BOLT – Mounting & arrestor to transmission	ALL		122279	2
	WASHER – Mounting & arrestor to transmission	ALL		120383	2
	REINFORCEMENT	6 Cyl. Eng.		9928656	1
	BOLT – Mounting to support	ALL		122246	2
	WASHER – Mounting to support	ALL		120395	2
4.103F CASE – Transmission					
	CASE ASSEMBLY	ALL		2829795	1
	PLUG – Transmission filler (3/4" - 16)	ALL		7400181	1
	PIN – Case to extension housing	ALL		443770	1
	GASKET – Filler plug (3/4" annular)	ALL		113897	1
4.105F COVER – Transmission					
	COVER	ALL		7433771	1
	BOLT – Cover to case Hex. hd. 5/16" - 18 x 1.375"	ALL		SP2141	4
	BOLT ASSY. – Cover to case Hex. hd. 5/16" - 18 x .875"	ALL		SP2090	3
4.109F GASKET – Transmission cover					
	GASKET	ALL		7433769	1
4.303F FORK – Transmission shifter					
	FORK – 1st & 2nd speed	ALL		2813506	1
	FORK – 3rd & 4th speed	ALL		7433775	1
4.304F YOKE – Reverse shifter					
	YOKE	ALL		2809727	1
4.309F SHAFT, SEAL – Transmission shifter					
	SHAFT – 1st & 2nd, 3rd & 4th	ALL		7433869	2
	SEAL – Shift shaft, "O" ring 9/16" x 3/32"	ALL		7430136	2
	SHAFT – Reverse shift	ALL		2813514	1
	SLEEVE – Reverse shift shaft	ALL		2813520	1
	SEAL – Reverse shift shaft "O" ring 3/8" x 3/32"	ALL		2809290	1
	PIN – Reverse shaft to reverse lever	ALL		455481	1
4.311F CAM, PIN, SPRING, BALL – Transmission detent					
	CAM – 1st & 2nd speed	ALL		2813501	1
	CAM – 3rd & 4th speed	ALL		2813511	1
	PIN – Detent cam	ALL		SP2094	1
	SPRING – Detent cam	ALL		7433927	1

TORANA "LX" PARTS CATALOGUE

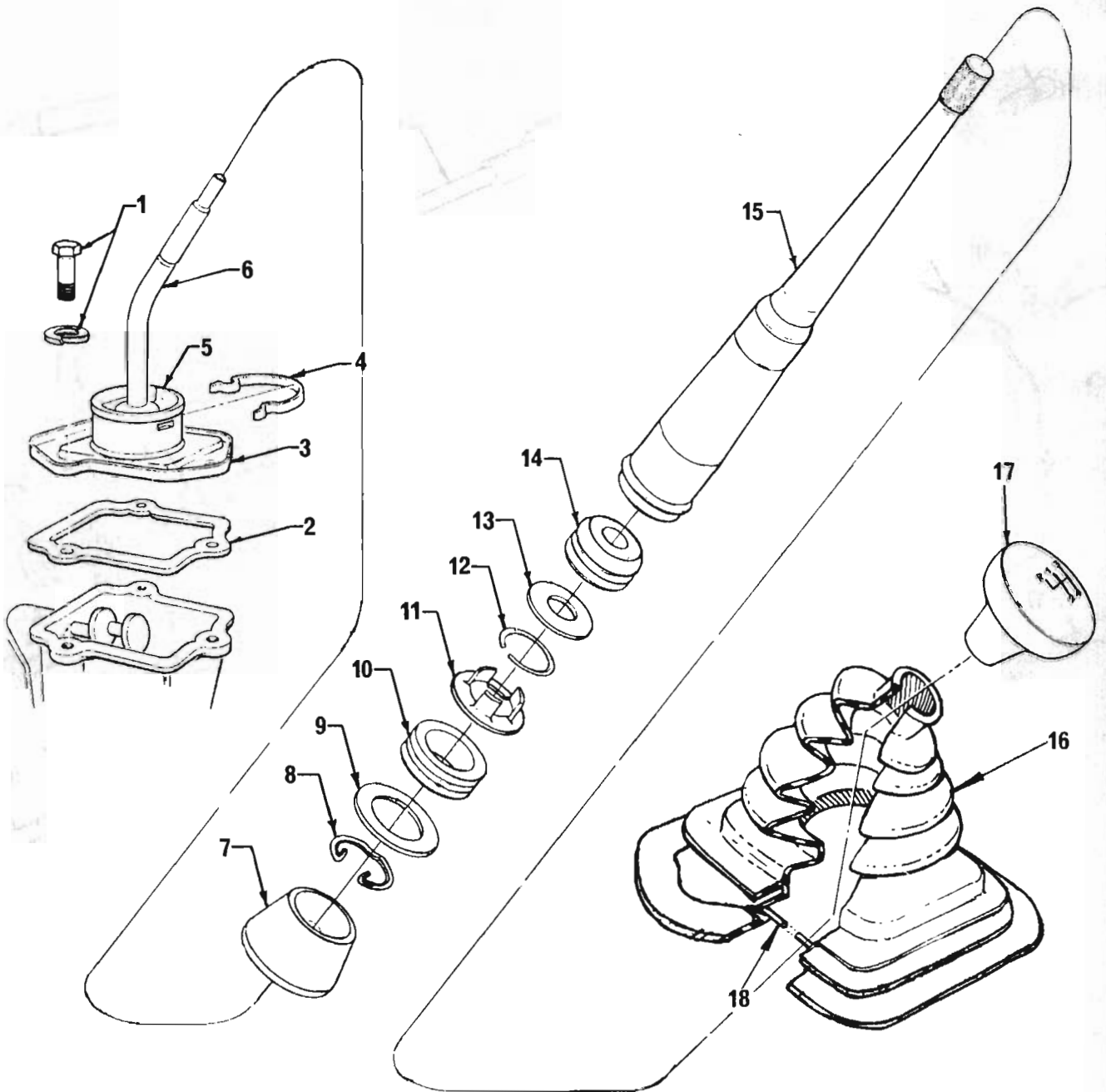
GROUP	DESCRIPTION	MODEL	SIDE	PART No.	QTY.
TRANSMISSION ASSEMBLY, FOUR SPEED MANUAL CONTROL					
FITTED IN VEHICLES EQUIPPED WITH 6 AND 8 CYLINDER ENGINES (PRODUCTION OPTION CODE M20, M21)					
4.311F CAM, PIN, SPRING, BALL – Transmission detent (contd.)					
	BALL – Reverse shift lever detent (3/8" dia.)	ALL		147489	1
	SPRING – Reverse lever detent ball	ALL		2813527	1
	BOLT – Reverse detent	ALL		123540	1
	WASHER – Reverse detent	ALL		2813521	2
4.316F LEVER – Reverse internal shifter					
	LEVER	ALL		2809600	1
4.317F HOUSING, BUSHING, ADAPTOR, SEAL – Transmission extension					
	HOUSING ASSEMBLY	ALL		2813504	1
	ADAPTOR – Transmission rear bearing	ALL		2813513	1
	BUSHING – Housing	ALL		3717682	1
	SEAL – Housing	ALL		3932255	1
	WASHER – Housing to case	ALL		7400256	1
	BOLT – Housing to case 3/8" – 16 x 1 1/4"	ALL		180124	1
	BOLT ASSY – Housing to case 3/8" – 16 x 1 1/4"	ALL		SP2599	4
4.318F GASKET – Transmission extension housing					
	GASKET	ALL		2813507	1
4.337F GEAR – Speedometer driven and drive					
	GEAR – Driven – 20 teeth – White	6 Cyl. Eng. 2.78:1 A.R.		7430968	1
	GEAR – Driven – 23 teeth – Red	6 Cyl. Eng. 3.36:1 A.R.		7430971	1
	GEAR – Driven – 21 teeth – Green	6 Cyl. Eng. 3.08:1 A.R.		7430969	1
	GEAR – Driven – 19 teeth – Pink	8 Cyl. Eng.		7430967	1
	GEAR – Driven – 20 teeth – White	8 Cyl. Eng. 2.78:1 A.R.		7430968	1
	GEAR – Driven – 21 teeth – Green	8 Cyl. Eng.		7430969	1
	GEAR – Drive	4 Cyl. Eng.		9928570	1
	GEAR – Drive	ALL		5258493	1
	CLIP – Drive gear	ALL		1373122	1
4.338F SEAL – Speedometer driven gear					
	SEAL – "O" ring (15/16" x 1/8")	ALL		7430921	1
4.342F CABLE and CASING – Speedometer					
	CABLE & CASING		RIGHT HAND DRIVE	2824560	1
			LEFT HAND DRIVE	9930480	1
	CABLE KIT		RIGHT HAND DRIVE	VS12415	1
			LEFT HAND DRIVE	VS12419	1
	CLIP – Cable to floor pan		RIGHT HAND DRIVE	7434452	1
	CLIP – Cable to side member	ALL		SP1885	1
	RETAINER – Drive end	ALL		7430917	1
	SEAL – Cable	ALL		7434266	1
	RETAINER – Seal (nylon)	ALL		2817874	1
	BOLT & LOCKWASHER – Drive end retainer	ALL		SP2047	1
4.351F GEAR – Clutch					
	GEAR	6 Cyl. Eng.		9930923	1
	GEAR	4.2 Litre Eng.		9930925	1
	GEAR	5 Litre Eng.		9930924	1
4.352F BEARING – Main shaft front					
	BEARING – Needle roller	ALL		7400162	15
	BEARING PACKAGE	ALL		7449495	1

TORANA "LX" PARTS CATALOGUE

GROUP	DESCRIPTION	MODEL	SIDE	PART No.	QTY.
TRANSMISSION ASSEMBLY, FOUR SPEED MANUAL CONTROL					
FITTED IN VEHICLES EQUIPPED WITH 6 AND 8 CYLINDER ENGINES (PRODUCTION OPTION CODE M20, M21)					
4.354F	SEAL – Clutch gear oil				
	SEAL ASSEMBLY	ALL		3987936	1
4.355F	BEARING – Clutch gear				
	BEARING	ALL		7429999	1
4.356F	RETAINER – Clutch gear bearing				
	RETAINER	6 Cyl. Eng.		9930909	1
	RETAINER	8 Cyl. Eng.		9930910	1
	BOLT - Retainer to trans. case	ALL		179816	4
4.358F	GASKET – Clutch gear bearing retainer				
	GASKET	ALL		591022	1
4.376F	RING – Clutch gear bearing retainer				
	RING - .088" thick	ALL		(⁶ 3775052)	1
	RING - .094" thick	ALL		(⁶ 3775050)	1
4.380F	SYNCHRONIZER – Transmission				
	SYNCHRONIZER ASSEMBLY - 1st & 2nd speed	ALL		2813515	1
	SYNCHRONIZER ASSEMBLY - 3rd & 4th speed	ALL		7435044	1
4.382F	RING – Transmission synchronizer retainer				
	RING - 1st & 2nd speed	ALL		7429966	1
	RING - 3rd & 4th speed	ALL		3775089	1
4.383F	SPRING, RING – Transmission synchronizer				
	SPRING - 1st & 2nd speed	ALL		7437055	2
	SPRING - 3rd & 4th speed	ALL		7438527	2
	RING - Blocking	ALL		7434978	4
4.384F	KEY – Transmission synchronizer				
	KEY	ALL		7435043	6
4.395F	GEAR – Second speed				
	GEAR	ALL		2813490	1
4.403F	SHAFT – Transmission main				
	SHAFT	ALL		2813493	1
4.408F	BEARING – Mainshaft rear				
	BEARING ASSEMBLY	ALL		7433929	1
4.412F	RING – Transmission bearing				
	RING - Locating	ALL		2809457	1
	RING - Main shaft lock	ALL		3707189	1
4.415F	GEAR – Third speed				
	GEAR	Exc. 5 Litre Eng.		2813491	1
	GEAR	5 Litre Eng.		2813492	1
4.418F	GEAR – Mainshaft first speed, reverse				
	GEAR - 1st speed	ALL		2813489	1
	GEAR - Reverse	6 Cyl. Eng.		2813525	1
	GEAR - Reverse	8 Cyl. Eng.		2813500	1
	Note: (⁶ Selective fit.				

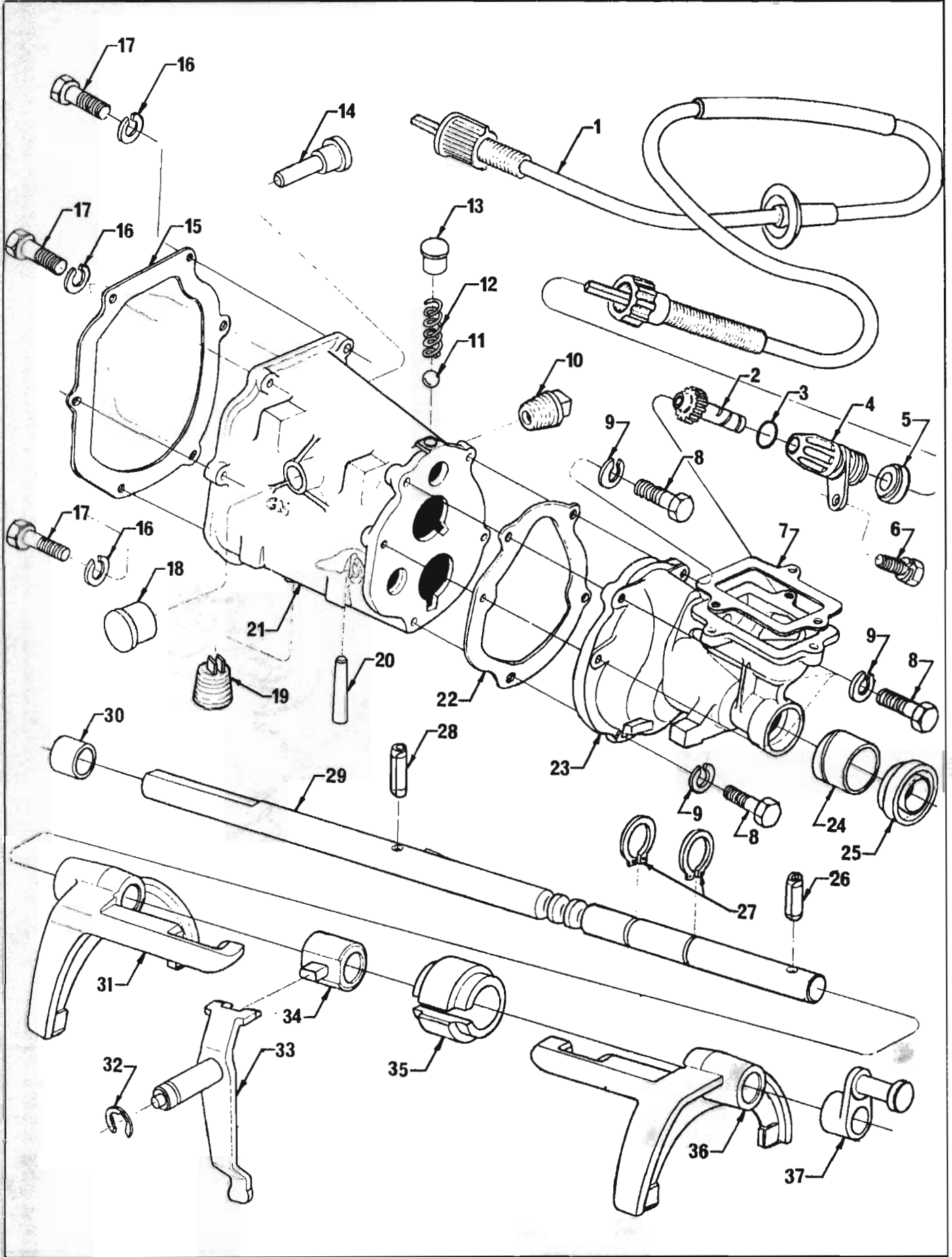
TORANA "LX" PARTS CATALOGUE

GROUP	DESCRIPTION	MODEL	SIDE	PART No.	QTY.
TRANSMISSION ASSEMBLY, FOUR SPEED MANUAL CONTROL					
FITTED IN VEHICLES EQUIPPED WITH 6 AND 8 CYLINDER ENGINES (PRODUCTION OPTION CODE M20, M21)					
4.419F	PLATE, SPRING – Reverse gear anti-lash				
	PLATE	6 Cyl. Eng.		2813517	1
	SPRING	6 Cyl. Eng.		2813522	1
4.421F	GEAR – Counter				
	GEAR	6 Cyl., 4.2 Litre Eng.		2813496	1
	GEAR	5 Litre Eng.		2813497	1
4.422F	BEARING – Counter gear				
	BEARING - Needle roller	ALL		9414193	92
	BEARING PACKAGE	ALL		7449496	1
4.423F	WASHER, SPACER – Counter shaft				
	WASHER - Bearing	ALL		3775063	6
	SPACER - Bearing	ALL		7433928	1
	WASHER - Gear thrust	ALLRIGHT HAND DRIVE		7433776	2
4.428F	SHAFT – Counter gear				
	SHAFT	ALL		3775061	1
4.430F	GEAR – Reverse idler				
	GEAR	ALL		2825988	1
4.432F	WASHER – Reverse idler thrust				
	WASHER	ALL		2813519	2
4.433F	BUSHING – Reverse idler gear				
	BUSHING - Reverse idler to transmission case and extension housing	ALL		2820528	2



"TORQUEMASTER"
TRANSMISSION CONTROL

ILLUS. REF. NO.	PART NAME	GROUP	ILLUS. REF. NO.	PART NAME	GROUP
1.	BOLT & LOCK WASHER – Lever support	4.010	10.	GROMMET – Gearshift lever – lower	4.008
2. ^{1A}	GASKET – Lever support	4.011	11.	WASHER – Lever lock	4.008
3–17.	LEVER ASSY. – Gearshift control	4.006	12.	RING – Gearshift lever – upper	4.008
3.	SUPPORT – Lever – lower	4.010	13.	WASHER – Gearshift lever – upper	4.008
4.	CLIP	4.010	14.	GROMMET – Gearshift lever – upper ..	4.008
5.	SUPPORT – Lever – upper	4.010	15.	LEVER – Gearshift – upper	4.006
6.	LEVER – Gearshift lower	4.006	16.	BOOT – Gearshift lever to floor	4.015
7.	BOOT – Gearshift lever to support	4.015	17.	KNOB	4.009
8.	RING – Gearshift lever – lower	4.008	18.	RETAINER – Boot to floor	4.015
9.	WASHER – Gearshift lever – lower	4.008		NOTE: (A Included in Gasket Kit, Group 4.005	



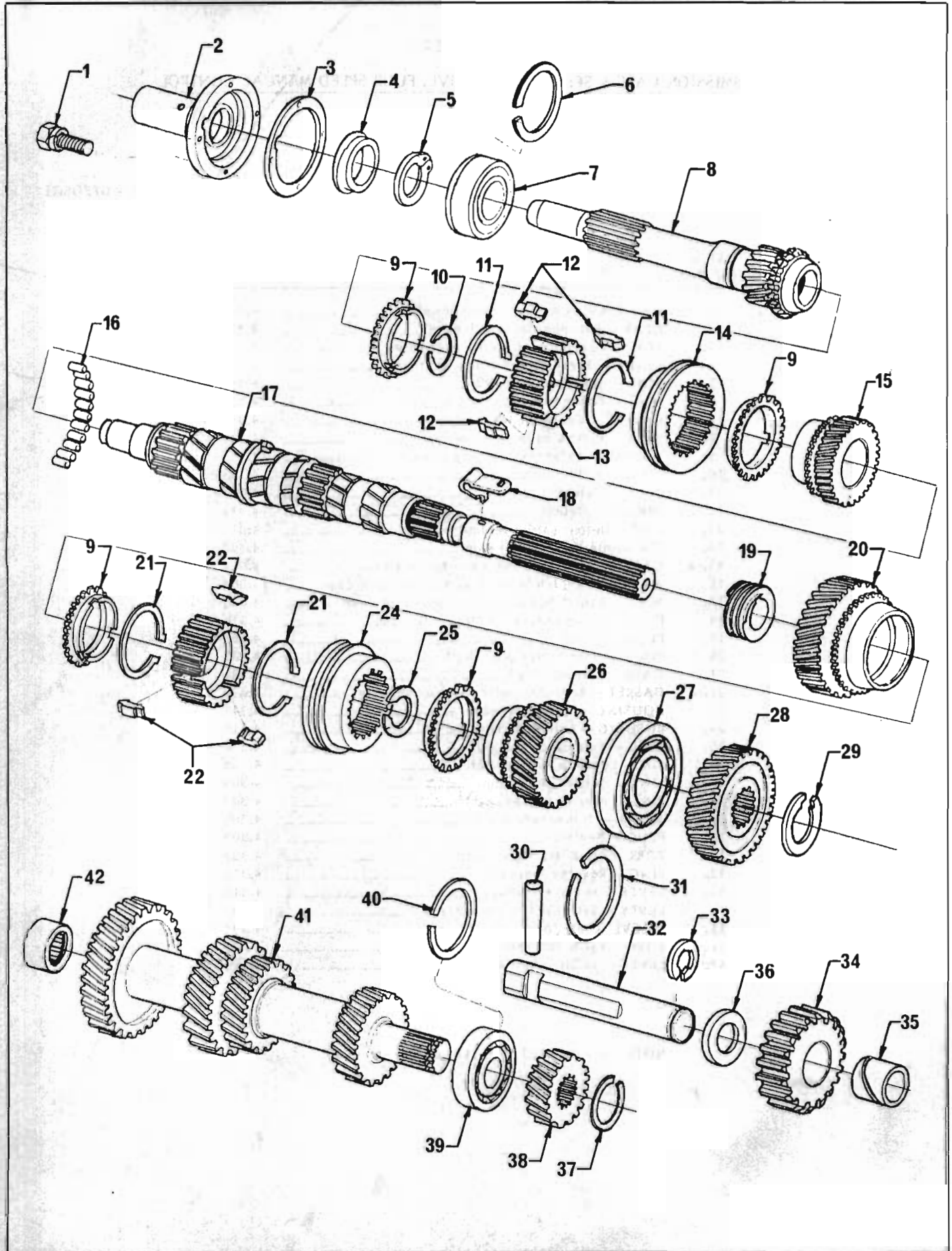
"TORQUEMASTER"

TRANSMISSION CASE & SPEEDOMETER DRIVE, FOUR SPEED MANUAL CONTROL

ILLUSTRATION OPPOSITE

ILLUS. REF. NO.	PART NAME	GROUP
1.	CABLE AND CASING – Speedometer	4.342
2.	GEAR – Speedometer – Driven	4.337
3.	SEAL – Speedometer driven gear guide	4.338
4.	GUIDE – Speedometer driven gear	4.337
5.	SEAL – Speedometer cable	4.342
6.	BOLT – Guide to extension housing	4.337
7.(A)	GASKET – Gearshift lever support	4.011
8.	BOLT – Extension housing to case	4.317
9.	WASHER – Extension housing to case	4.317
10.	PLUG – Filler	4.103
11.	BALL – Detent	4.311
12.	SPRING – Detent	4.311
13.	CAP – Detent spring retaining	4.311
14.	PIN – Interlock sleeve stop	4.307
15.(A)	GASKET – Transmission case to clutch housing	4.004
16.	WASHER – Clutch housing to transmission case	4.003
17.	BOLT – Clutch housing to transmission case	4.003
18.	PLUG – Reverse lever sealing	4.316
19.	PLUG – Drain	4.103
20.	PIN – Reverse idler gear shaft	4.433
21.	CASE – Transmission	4.103
22.(A)	GASKET – Transmission extension housing	4.318
23.	HOUSING – Rear extension	4.317
24.	BUSHING – Extension housing	4.317
25.	SEAL – Extension housing	4.317
26.	PIN – Lever to shifter shaft	4.309
27.	RING – Shifter shaft stop	4.309
28.	PIN – Lever to shifter shaft	4.307
29.	SHAFT – Transmission shift	4.309
30.	PLUG – Sealing	4.309
31.	FORK – 3rd & 4th speed shift	4.303
32.	RING – Reverse lever lock	4.316
33.	LEVER – Reverse shift	4.316
34.	LEVER – Selector fork engaging	4.307
35.	SLEEVE – Interlock	4.307
36.	FORK – 1st & 2nd speed shift	4.303
37.	LEVER – Shifter shaft actuating	4.309

NOTE: (A) Included in Gasket Kit, Group 4.005



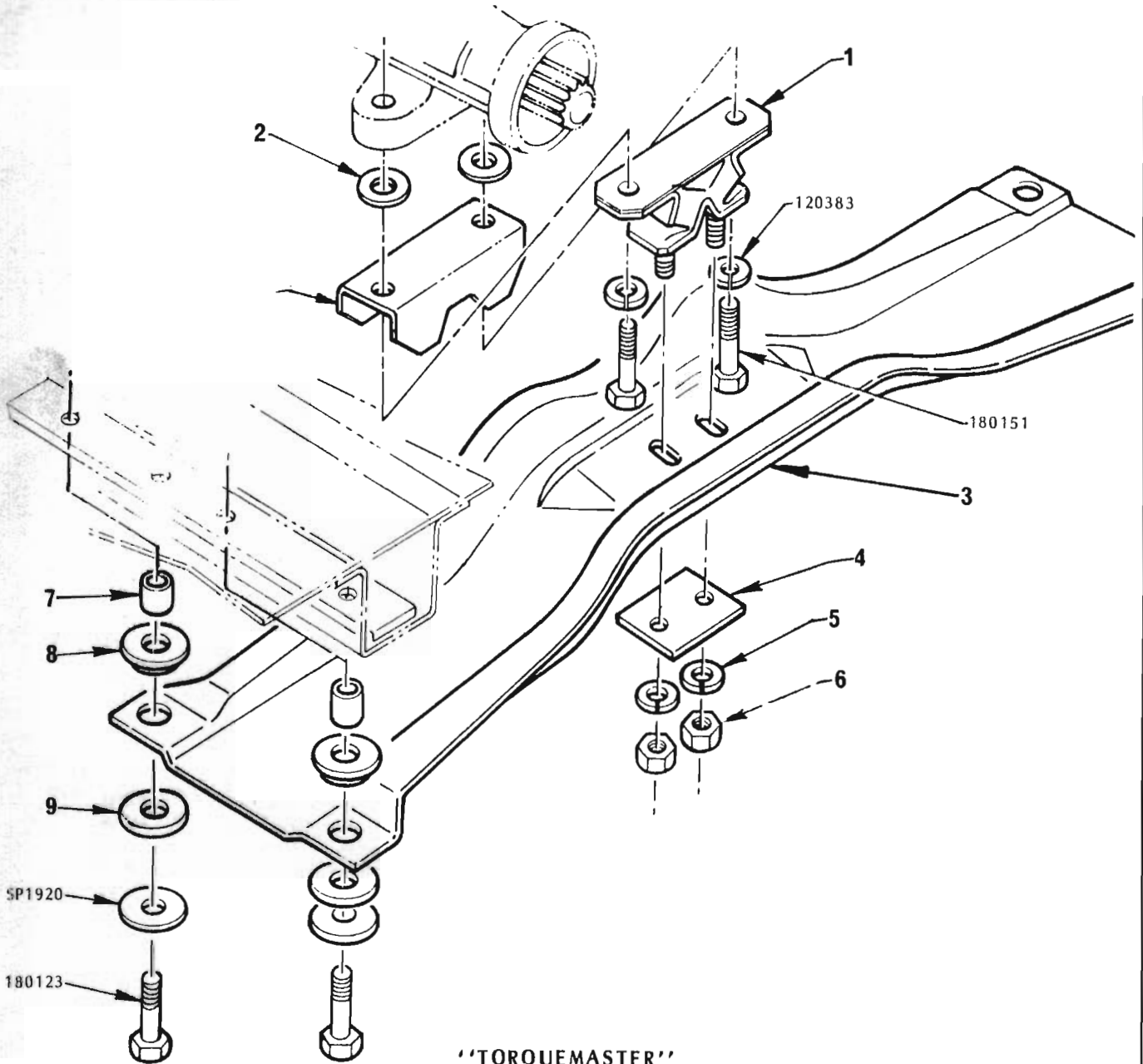
"TORQUEMASTER"

TRANSMISSION GEARS, FOUR SPEED MANUAL CONTROL

ILLUSTRATION OPPOSITE

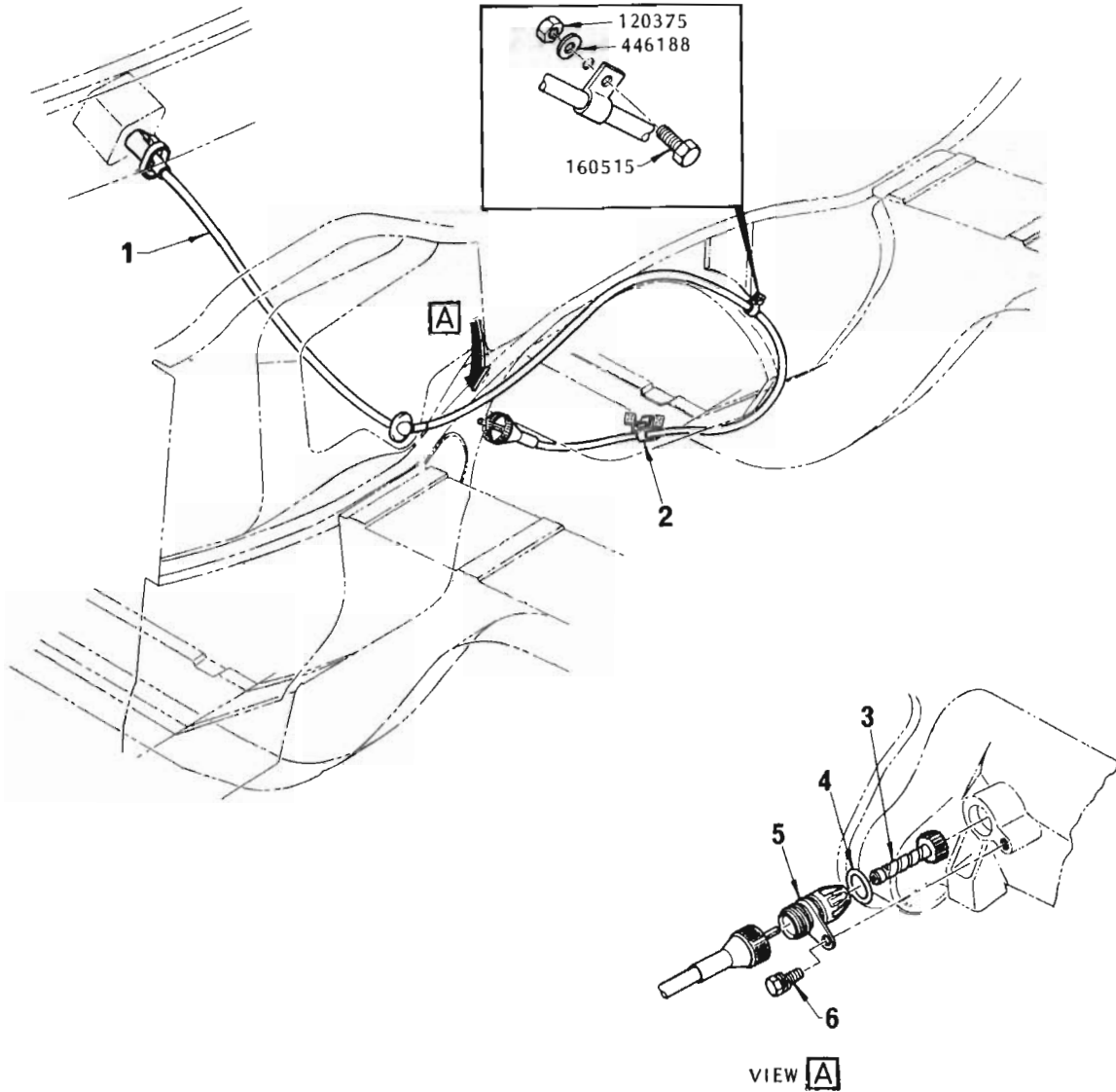
ILLUS. REF. NO.	PART NAME	GROUP
1.	BOLT - Clutch gear bearing retainer	4.356
2.	RETAINER - Clutch gear bearing	4.356
3.1A	GASKET - Clutch gear bearing retainer	4.358
4.	SEAL - Clutch gear oil	4.354
5.	RING - Clutch gear bearing - retainer	4.376
6.	RING - Clutch gear bearing - Locating	4.376
7.	BEARING - Clutch gear	4.355
8.	GEAR - Clutch	4.351
9.	RING - Synchronizer blocking	4.383
10.	RING - Synchronizer retainer 3rd & 4th speed	4.382
11-14.	SYNCHRONIZER ASSY. - 3rd & 4th speed	4.380
11.	SPRING - Synchronizer	4.383
12.	KEY - Synchronizer	4.384
15.	GEAR - 3rd. speed	4.415
16.	BEARING - Main shaft - Front	4.352
17.	SHAFT - Main	4.403
18.	CLIP - Drive gear	4.337
19.	GEAR - Speedometer - Drive	4.337
20.	GEAR - 2nd speed	4.395
21-24.	SYNCHRONIZER ASSY. - 1st & 2nd speed	4.380
21.	SPRING - Synchronizer	4.383
22.	KEY - Synchronizer	4.384
25.	RING - Synchronizer retainer 1st & 2nd speed	4.382
26.	GEAR - 1st speed	4.418
27.	BEARING - Mainshaft - Rear	4.408
28.	GEAR - Reverse	4.418
29.	RING - Mainshaft lock	4.412
30.	PIN - Reverse idler gear shaft	4.433
31.	RING - Bearing locating	4.412
32.	SHAFT - Reverse idler	4.433
33.	RING - Reverse idler gear - Lock	4.432
34.	GEAR - Reverse idler	4.430
35.	BUSHING - Reverse idler gear	N.S.S.
36.	RING - Reverse idler gear - Retaining	4.432
37.	RING - Counter gear - Lock	4.423
38.	GEAR - Counter reverse	4.421
39.	BEARING - Counter gear rear	4.422
40.	RING - Counter gear - Locating	4.423
41.	GEAR - Counter	4.421
42.	BEARING - Counter gear needle roller	4.422

NOTE: 1A Included in Gasket Kit, Group 4.005



'TORQUEMASTER'
TRANSMISSION MOUNTING

ILLUS. REF. NO.	PART NAME	GROUP
1.	MOUNTING	4.081
2.	SPACER	4.081
3.	SUPPORT - Engine rear mounting	12.982
4.	REINFORCEMENT	4.081
5.	WASHER - Mounting to support	4.081
6.	NUT - Mounting to support	4.081
7.	SPACER - Engine rear mounting support	12.982
8.	INSULATOR - Support upper	12.982
9.	INSULATOR - Support lower	12.982



SPEEDOMETER CABLE and GEARS

ILLUS. REF. NO.	PART NAME	GROUP
1.	CABLE & CASING	4.342
2.	CLIP - Cable to floor pan	4.342
3.	GEAR - Driven	4.337
4.	SEAL - "O" Ring	4.338
5.	GUIDE - Driven gear	4.337
6.	BOLT - Guide to extension housing	4.337

GROUP	DESCRIPTION	MODEL	SIDE	PART No.	QTY.
TRANSMISSION ASSEMBLY, FOUR SPEED MANUAL					
FITTED IN VEHICLES EQUIPPED WITH 4 CYLINDER ENGINES - TORQUE MASTER - (Production option code MC6) (shift mechanism on top of rear extension housing)					
4.003H TRANSMISSION ASSEMBLY					
	TRANSMISSION ASSY.	ALL		9299653	1
	BOLT - Trans. to clutch housing	ALL		7316473	2
	BOLT - Trans. to clutch housing	ALL		7316479	4
	WASHER - Lock	ALL		2074176	6
4.004H GASKET - Transmission to clutch housing					
	GASKET	ALL		7316456	1
4.005H GASKET KIT - Transmission					
	GASKET KIT	ALL		M37569	1
4.006H LEVER - Gearshift control					
	LEVER ASSY.	ALL		9935045	1
	LEVER - Upper	ALL		7334419	1
	LEVER - Lower	ALL		9931276	1
4.008H GROMMET, WASHER, RING - Gearshift lever					
	GROMMET - Upper	ALL		2865035	1
	WASHER - Upper	ALL		3460499	1
	RING - Upper	ALL		2076501	1
	WASHER - Lock	ALL		2886929	1
	GROMMET - Lower	ALL		2865032	1
	WASHER - Lower	ALL		3460500	1
	RING	ALL		2076513	1
4.009H KNOB - Gearshift control lever					
	KNOB	ALL		7334418	1
4.010H SUPPORT - Gearshift lever					
	SUPPORT - Upper	ALL		7316529	1
	SUPPORT - Lower	ALL		7316530	1
	CLIP	ALL		9297787	1
	BOLT & WASHER ASSY- Support to extension housing	ALL		2008151	3
4.011H GASKET - Gearshift support					
	GASKET	ALL		8967474	1
4.012H CUP, BALL, SPRING, SEAT, GUIDE - Gearshift lever detent					
	CUP	ALL		9298091	1
	BALL	ALL		9298089	1
	SPRING	ALL		9298093	1
	SEAT - Spring	ALL		9298090	1
	GUIDE	ALL		8965234	1
4.015H BOOT - Gearshift control					
	BOOT - Lever to support	ALL		9298092	1
	BOOT - Lever to floor	ALL		9934339	1
	RETAINER - Lever boot to floor	ALL		9936298	1
	SCREW - Retainer to floor	ALL		9414722	4
	BOOT - Console	ALL		9934581	1
	NUT - Boot to cover	ALL		SP1534	11

GROUP	DESCRIPTION	MODEL	SIDE	PART No.	QTY.
TRANSMISSION ASSEMBLY, FOUR SPEED MANUAL					
FITTED IN VEHICLES EQUIPPED WITH 4 CYLINDER ENGINES - TORQUE MASTER - (Production option code MC6) (shift mechanism on top of rear extension housing)					
4.081H MOUNTING - Transmission support					
	MOUNTING	ALL		2825736	1
	BOLT	ALL		11073921	2
	NUT - Mounting to support	ALL		2064229	2
	WASHER - Mounting to support	ALL		2074152	2
	SPACER - Support to transmission	ALL		9933936	2
	REINFORCEMENT	ALL		2825365	1
4.103H CASE - Transmission					
	CASE	ALL		9298656	1
	PLUG - Transmission filler	ALL		103868	1
	PLUG - Transmission drain	ALL		7316926	1
4.303H FORK - Transmission shifter					
	FORK - 1st & 2nd speed	ALL		7316465	1
	FORK - 3rd & 4th speed	ALL		7316466	1
4.307H SLEEVE, LEVER - Transmission shifter fork					
	SLEEVE - Interlock	ALL		7316464	1
	PIN - Interlock sleeve stop	ALL		7334223	1
	LEVER - Selector fork engaging	ALL		7316463	1
	PIN - Lever to shifter shaft	ALL		11071271	1
4.309H SHAFT, LEVER - Transmission shifter					
	SHAFT	ALL		9299687	1
	LEVER - Shifter shaft actuating	ALL		9299685	1
	PIN - Lever to shifter shaft	ALL		11071271	1
	RING - Shifter shaft stop	ALL		7334441	2
	PLUG - Sealing	ALL		8965250	1
4.311H BALL, SPRING, CAP - Transmission detent					
	BALL	ALL		147487	1
	SPRING	ALL		7333586	1
	CAP	ALL		2865093	1
4.316H LEVER - Reverse shifter					
	LEVER	ALL		7316461	1
	RING - Reverse lever lock	ALL		7333738	1
	PLUG - Reverse lever sealing	ALL		7316425	1
4.317H HOUSING, BUSHING, SEAL - Transmission extension					
	HOUSING	ALL		9299679	1
	BUSHING - Housing	ALL		3786292	1
	SEAL - Housing	ALL		3746213	1
	BOLT - Housing to case	ALL		7316473	2
	BOLT - Housing to case	ALL		7316479	3
	WASHER	ALL		2074176	5
4.318H GASKET - Transmission extension housing					
	GASKET	ALL		7316448	1
4.337H GEAR - Speedometer drive and driven					
	GEAR - Driven - 23 teeth - Black	ALL		9300717	1
	GEAR - Driven - 24 teeth - Yellow	ALL		9300718	1
	GEAR - Drive	ALL		9300694	1
	GUIDE - Driven gear	ALL		7316892	1
	BOLT - Guide to extension housing	ALL		7322503	1
	CLIP - Drive gear	ALL		1373122	1

TORANA "LX" PARTS CATALOGUE

GROUP	DESCRIPTION	MODEL	SIDE	PART No.	QTY.
TRANSMISSION ASSEMBLY, FOUR SPEED MANUAL					
FITTED IN VEHICLES EQUIPPED WITH 4 CYLINDER ENGINES - TORQUE MASTER - (Production option code MC6) (Shift mechanism on top of rear extension housing)					
4.338H SEAL - Speedometer driven gear guide					
SEAL	ALL			3708146	1
4.342H CABLE and CASING - Speedometer					
CABLE & CASING	ALL			9936664	1
SEAL - Cable	ALL			3869910	1
BOLT - Clip to dash	ALL			160515	1
WASHER - Clip to dash	ALL			446188	1
CLIP - Cable to floor pan	ALL			7434452	1
4.351H GEAR - Clutch					
GEAR	ALL			9299695	1
4.352H BEARING - Main shaft front					
BEARING - Needle roller	ALL			9417275	15
4.354H SEAL - Clutch gear oil					
SEAL	ALL			8967254	1
4.355H BEARING - Clutch gear					
BEARING	ALL			908058	1
4.356H RETAINER - Clutch gear bearing					
RETAINER	ALL			9299066	1
BOLT - Retainer to housing	ALL			7322506	4
4.358H GASKET - Clutch gear bearing retainer					
GASKET	ALL			591022	1
4.376H RING - Clutch gear bearing retainer					
RING - .083"-.085" thick	ALL			(^e 9299534)	1
RING - .086"-.088" thick	ALL			(^e 9299535)	1
RING - .089"-.091" thick	ALL			(^e 9299536)	1
RING - .092"-.094" thick	ALL			(^e 9299537)	1
RING - .095"-.097" thick	ALL			(^e 9299538)	1
WASHER - Clutch gear	ALL			9298260	1
4.376H RING - Clutch gear bearing locating					
RING	ALL			590849	1
4.380H SYNCHRONIZER - Transmission					
SYNCHRONIZER ASSEMBLY - 1st & 2nd speed	ALL			7316458	1
SYNCHRONIZER ASSEMBLY - 3rd & 4th speed	ALL			7316476	1
4.382H RING - Transmission synchronizer retainer					
RING - 1st & 2nd speed - .062"-.064" thick	ALL			(^e 9299540)	1
RING - 1st & 2nd speed - .065"-.067" thick	ALL			(^e 9299541)	1
RING - 3rd & 4th speed - .062"-.064" thick	ALL			(^e 9299548)	1
RING - 3rd & 4th speed - .065"-.067" thick	ALL			(^e 9299549)	1
4.383H SPRING, RING - Transmission synchronizer					
SPRING	ALL			5257865	4
RING - Blocking	ALL			3813905	4

Note: (^e Selective fit.

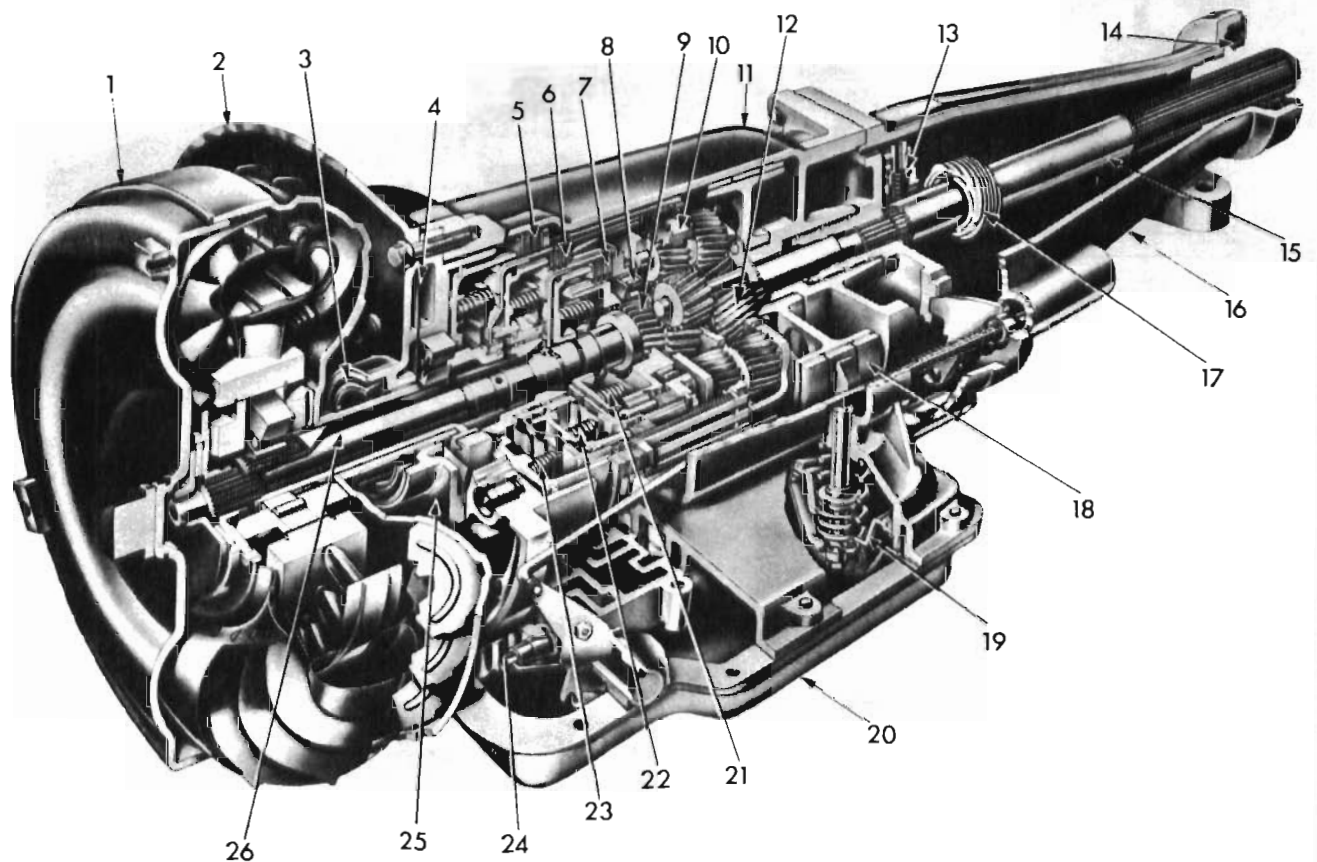
TORANA "LX" PARTS CATALOGUE

GROUP	DESCRIPTION	MODEL	SIDE	PART No.	QTY.
TRANSMISSION ASSEMBLY, FOUR SPEED MANUAL					
FITTED IN VEHICLES EQUIPPED WITH 4 CYLINDER ENGINES - TORQUE MASTER - (Production option code MC6) (shift mechanism on top of rear extension housing)					
4.384H	KEY - Transmission synchronizer				
KEY	ALL			5257866	6
4.395H	GEAR - Second speed				
GEAR	ALL			9299693	1
4.403H	SHAFT - Transmission main				
SHAFT	ALL			9298667	1
4.408H	BEARING - Mainshaft rear				
BEARING	ALL			907791	1
4.412H	RING - Transmission bearing mainshaft lock				
RING - .086"- .088"	ALL			(⁶ 9299535)	1
RING - .089"- .091"	ALL			(⁶ 9299536)	1
RING - .092"- .094"	ALL			(⁶ 9299537)	1
RING - .095"- .097"	ALL			(⁶ 9299538)	1
4.412H	RING - Transmission bearing mainshaft locating				
RING	ALL			7329897	1
4.415H	GEAR - Third speed				
GEAR			9299694	1
4.418H	GEAR - Mainshaft first speed, reverse				
GEAR - 1st speed	ALL			9299952	1
GEAR - Reverse	ALL			9298510	1
4.421H	GEAR - Counter				
GEAR - Counter	ALL			9299951	1
GEAR - Counter reverse	ALL			9299690	1
4.422H	BEARING - Counter gear				
BEARING - Front	ALL			7330345	1
BEARING - Rear	ALL			7316603	1
4.423H	RING - Counter gear lock				
RING - .086"- .088" thick	ALL			(⁶ 9299543)	1
RING - .089"- .091" thick	ALL			(⁶ 9299544)	1
RING - .092"- .094" thick	ALL			(⁶ 9299545)	1
RING - .095"- .097" thick	ALL			(⁶ 9299546)	1
4.423H	RING - Counter gear bearing locating				
RING	ALL			7329902	1
4.430H	GEAR - Reverse idler				
GEAR	ALL			7329909	1
4.432H	RING - Reverse idler gear				
RING - Retaining	ALL			7334971	2
RING - Lock	ALL			7334972	2

Note: (⁶ Selective fit.

GROUP	DESCRIPTION	MODEL	SIDE	PART No.	QTY.
TRANSMISSION ASSEMBLY, FOUR SPEED MANUAL					
FITTED IN VEHICLES EQUIPPED WITH 4 CYLINDER ENGINES - TORQUE MASTER - (Production option code MC6) (shift mechanism on top of rear extension housing)					
4.433H	SHAFT, BUSHING - Reverse idler gear				
	SHAFT	ALL		9299691	1
	PIN	ALL		7334191	1
	BUSHING	ALL		5258709	1

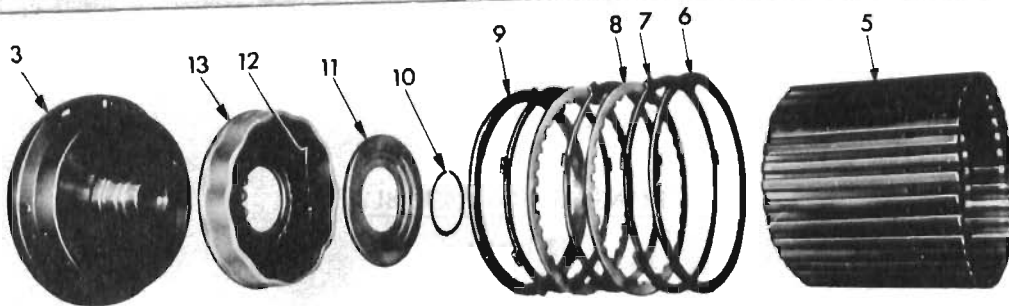
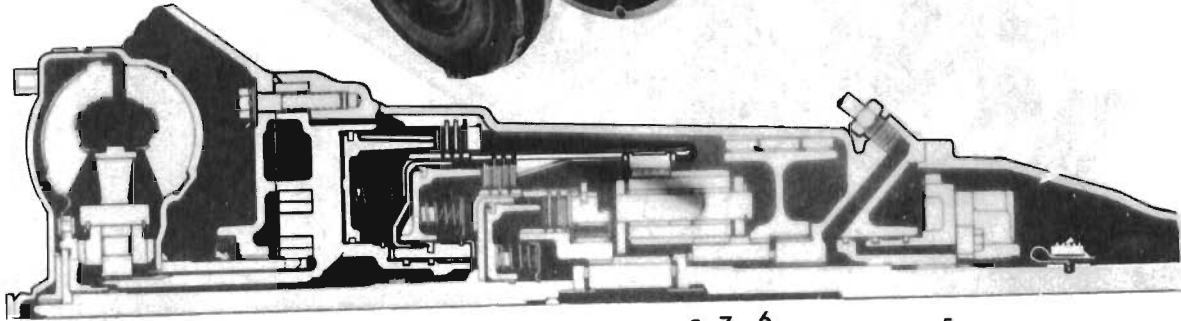
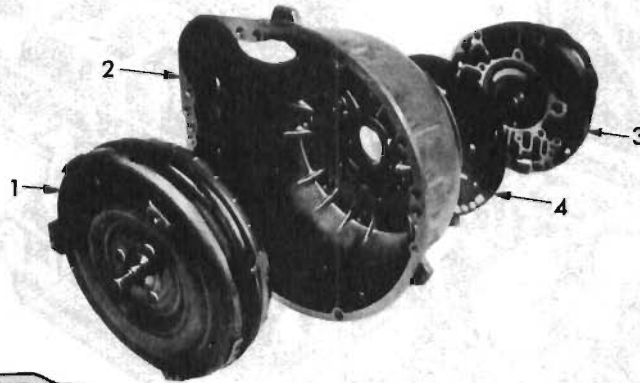
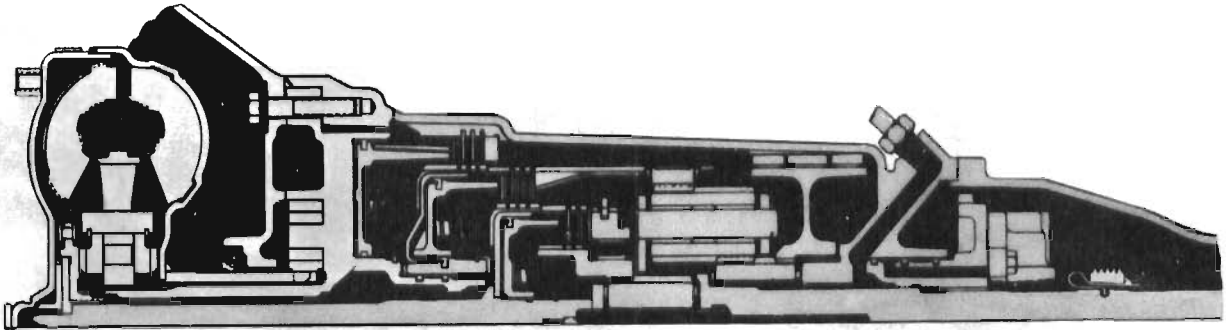
NOTES



TRANSMISSION ASSEMBLY

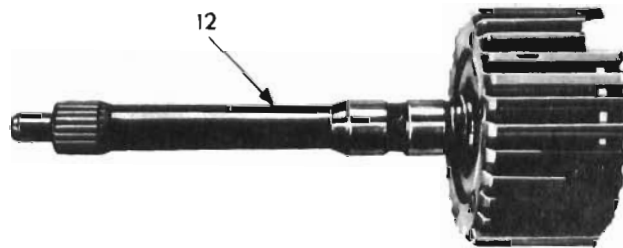
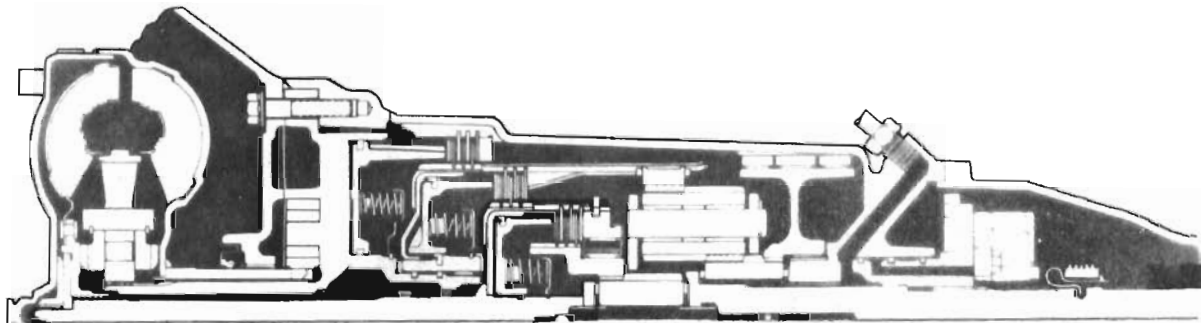
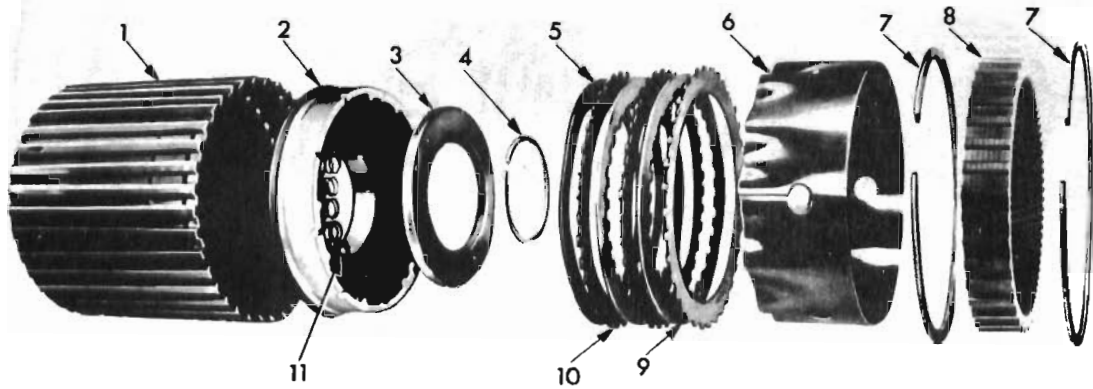
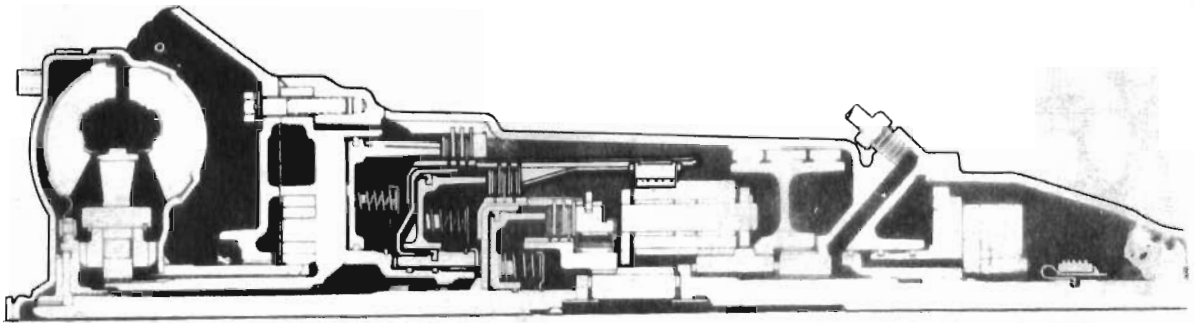
Trimatic

ILLUS. REF. NO.	PART NAME	GROUP	ILLUS. REF. NO.	PART NAME	GROUP
1.	CONVERTER ASSY.	4.156	14.	SEAL - Rear bearing housing	4.317
2.	HOUSING - Converter	0.683	15.	CARRIER ASSY. - Planet	4.177
3.	SEAL - Converter housing	0.683	16.	HOUSING - Rear bearing	4.317
4.	PLATE - Wear	4.226	17.	GEAR - Speedo drive	4.337
5.	PLATE - Reverse clutch	4.163	18.	BAND ASSY. - Reaction	4.251
6.	PLATE - 2nd clutch	4.163	19.	PISTON - Servo	4.228
7.	PLATE - 3rd clutch	4.163	20.	PAN - Transmission oil	4.195
8.	SPRAG ASSY.	4.158	21.	SPRING - 3rd clutch piston	4.164
9.	GEAR ASSY. - Input sun	4.177	22.	SPRING - 2nd clutch piston	4.164
10.	GEAR - Ring	4.187	23.	SPRING - Reverse clutch piston	4.265
11.	CASE - Transmission	4.103	24.	VALVE - Manual	4.265
12.	GEAR & DRUM ASSY. - Reaction sun	4.177	25.	BODY & GEAR PACKAGE	4.226
13.	GOVERNOR	4.256	26.	DRUM & INPUT SHAFT - 3rd clutch	4.153



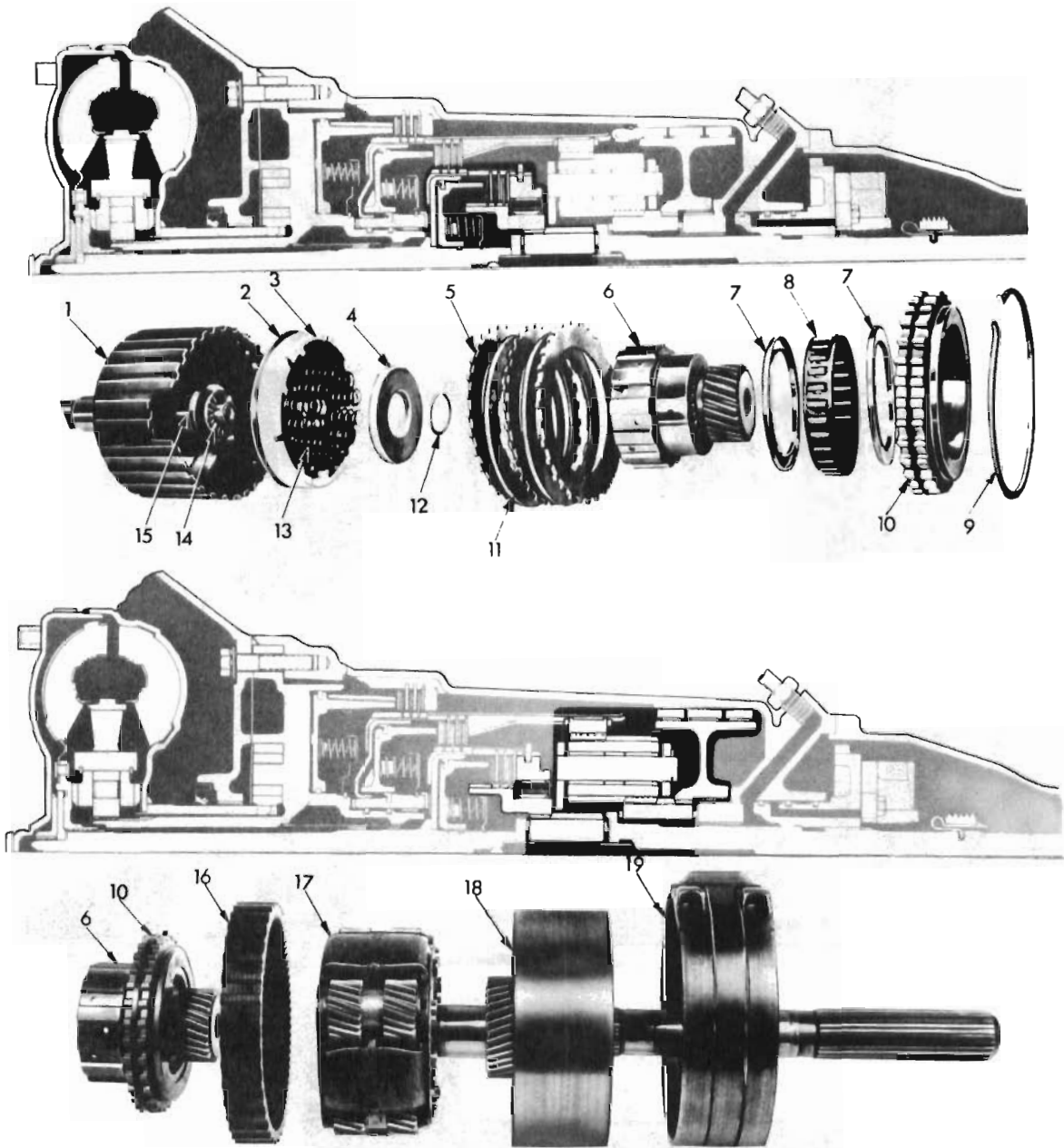
TRANSMISSION ASSEMBLY
(TRIMATIC)

ILLUS. REF. NO.	PART NAME	GROUP	ILLUS. REF. NO.	PART NAME	GROUP
1.	CONVERTER ASSEMBLY	4.156	8.	PLATE - Reverse clutch drive	4.163
2.	HOUSING - Converter	0.683	9.	PLATE - Reverse clutch cushion	4.163
3.	BODY & GEAR PACKAGE	4.226	10.	RING - Reverse clutch piston	4.128
4.	PLATE - Wear	4.226	11.	SEAT - Reverse clutch piston return spring ..	4.189
5.	DRUM ASSEMBLY - 2nd clutch	4.158	12.	SPRING - Reverse clutch piston	4.164
6.	PLATE - Reverse clutch pressure	4.163	13.	PISTON - Reverse clutch	4.166
7.	PLATE - Reverse clutch reaction	4.163			



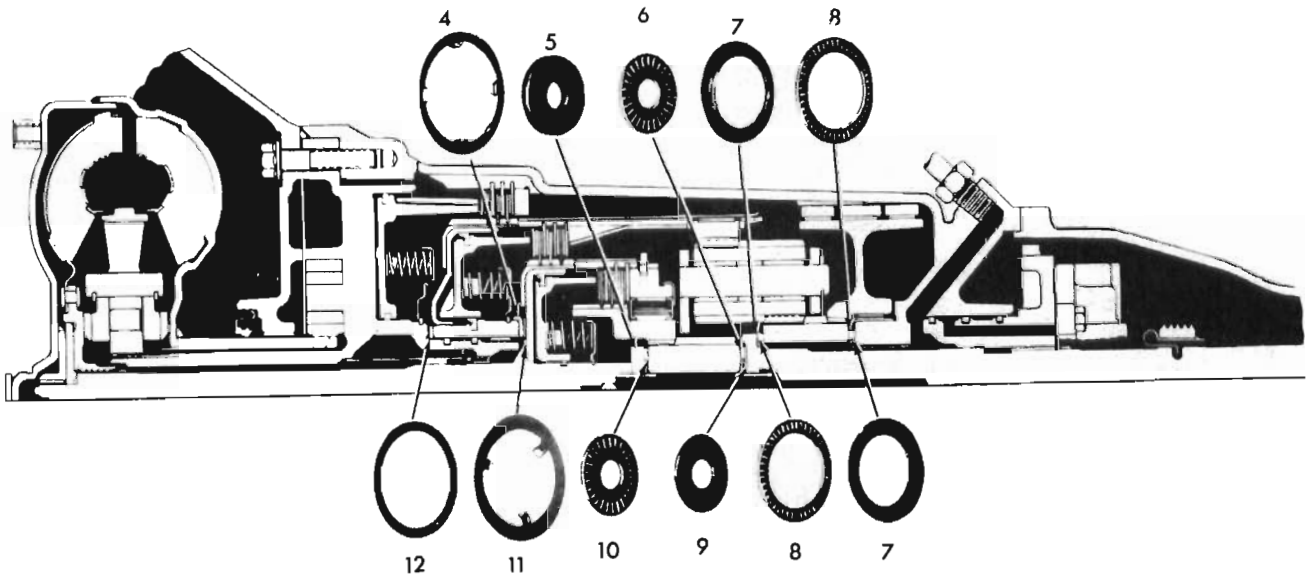
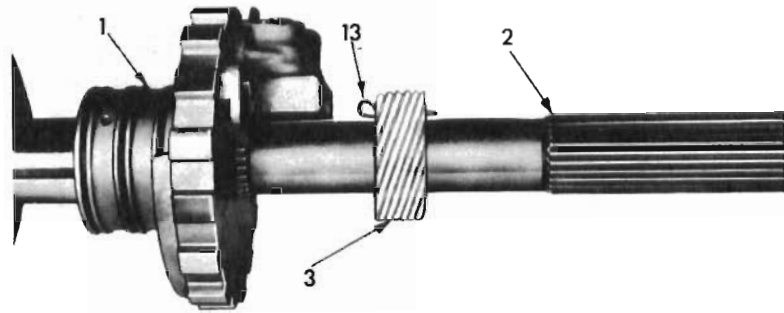
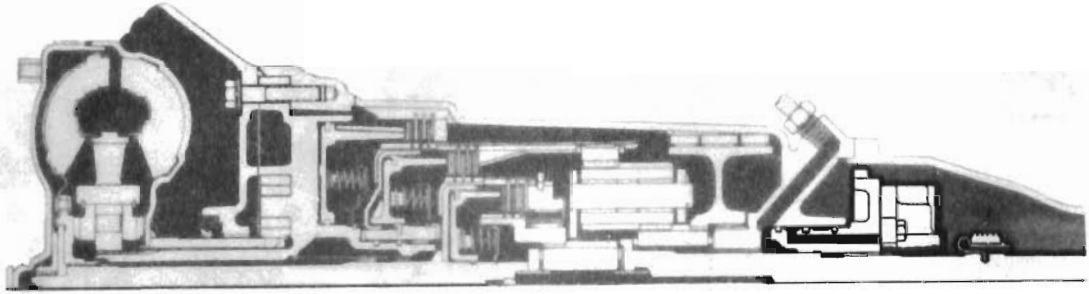
TRANSMISSION ASSEMBLY
(TRIMATIC)

ILLUS. REF. NO.	PART NAME	GROUP	ILLUS. REF. NO.	PART NAME	GROUP
1.	DRUM - 2nd clutch	4.158	8.	GEAR - Ring	4.137
2.	PISTON ASSY. - 2nd clutch	4.166	9.	PLATE - 2nd clutch drive	4.163
3.	SEAT - 2nd clutch piston	4.165	10.	PLATE - 2nd clutch driven	4.163
4.	RING - 2nd clutch piston seat retainer..	4.128	11.	SPRING - 2nd clutch piston	4.164
5.	PLATE - 2nd clutch cushion	4.163	12.	DRUM & INPUT SHAFT ASSY.- 3rd clutch	4.153
6.	SPACER - 2nd clutch plate	4.163			
7.	RING - Ring gear retaining	4.128			



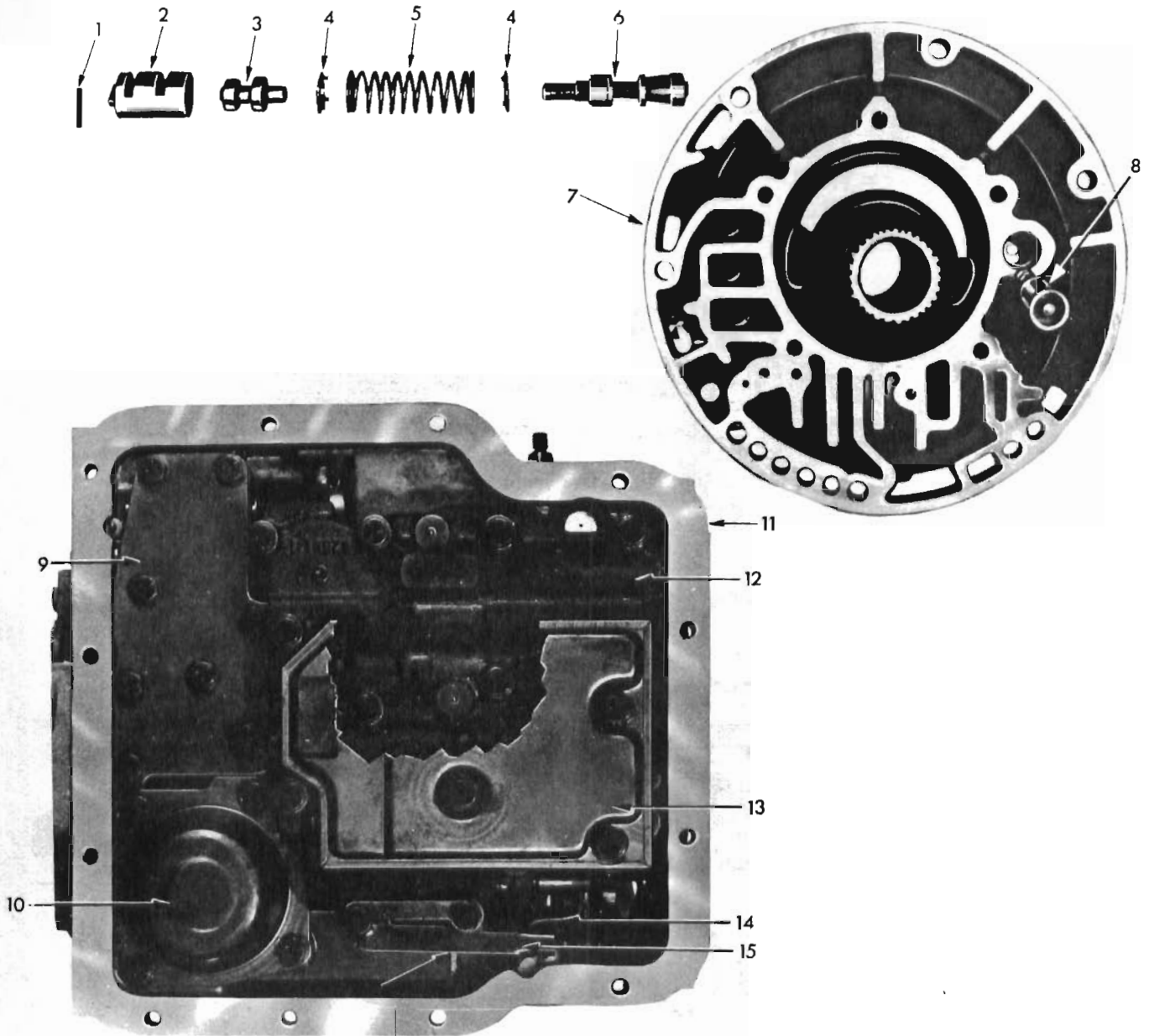
TRANSMISSION ASSEMBLY
(Trimatic)

ILLUS. REF. NO.	PART NAME	GROUP	ILLUS. REF. NO.	PART NAME	GROUP
1.	DRUM & INPUT SHAFT ASSY. - 3rd clutch	4.153	11.	PLATE - 3rd clutch drive	4.163
2.	SEAL - 3rd clutch piston outer	4.166	12.	RING - 3rd clutch piston spring retainer	4.128
3.	PISTON ASSY. - 3rd clutch	4.166	13.	SPRING - 3rd clutch	4.164
4.	SEAT - 3rd clutch piston spring	4.165	14.	BEARING - Input shaft to sun gear thrust.	4.177
5.	PLATE - 3rd clutch driven	4.163	15.	WASHER - Input shaft to sun gear thrust.	4.177
6.	GEAR ASSY. - Input sun	4.177	16.	GEAR - Ring	4.187
7. }	SPRAG ASSY. - Input	4.158	17.	CARRIER ASSY. - Planet	4.177
8. }			18.	GEAR & DRUM ASSY. - Reaction	4.177
9.	RING - 3rd clutch retainer	4.128	19.	BAND ASSY. - Reaction	4.251
10.	RACE & RETAINER ASSY. - 3rd clutch input sprag	4.158			



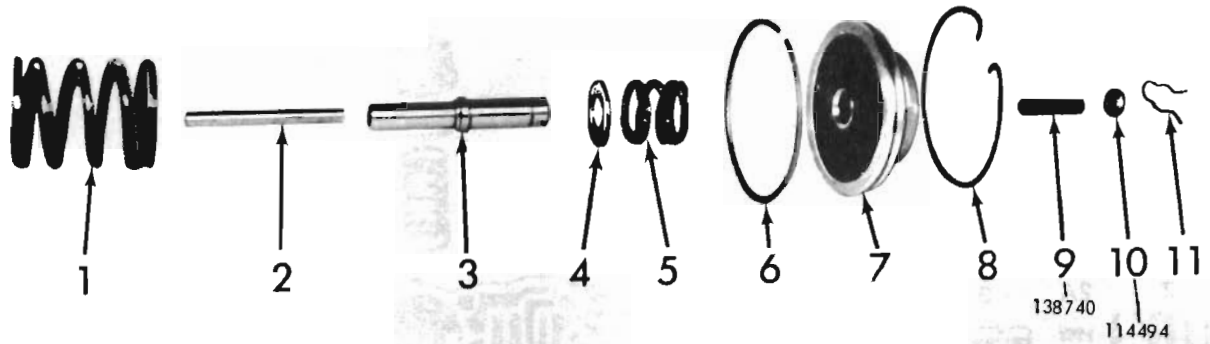
TRANSMISSION ASSEMBLY
(TRIMATIC)

ILLUS. REF. NO.	PART NAME	GROUP	ILLUS. REF. NO.	PART NAME	GROUP
1.	GOVERNOR ASSEMBLY	4.256	8.	BEARING - Reaction sun gear	4.177
2.	CARRIER ASSEMBLY - Planet	4.177	9.	WASHER - Sun gear to carrier assy.	4.177
3.	GEAR - Speedometer drive	4.337	10.	BEARING - Input shaft to sun gear thrust	4.177
4.	WASHER - 2nd & 3rd clutch thrust (bronze) ..	4.129	11.	WASHER - 2nd & 3rd clutch thrust (steel)	4.129
5.	WASHER - Input shaft to sun gear thrust	4.177	12.	WASHER - Clutch thrust	4.129
6.	BEARING - Sun gear to carrier assy.	4.177	13.	CLIP - Speedometer drive gear	4.337
7.	WASHER - Reaction sun gear & drum	4.129			



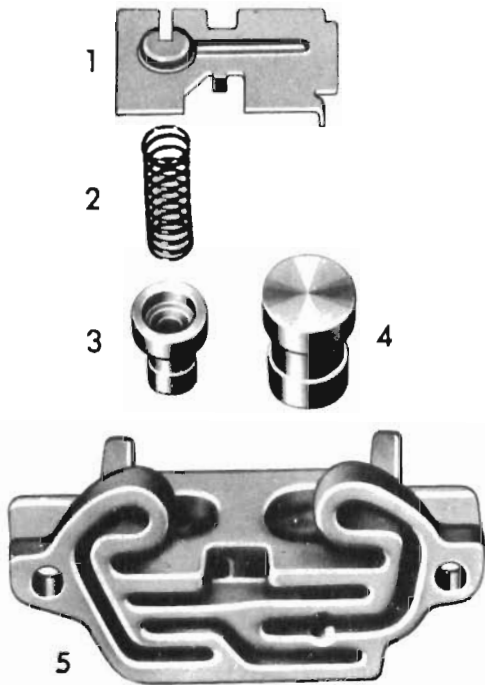
TRANSMISSION ASSEMBLY
Automatic 3 Speed

ILLUS. REF. NO.	PART NAME	GROUP	ILLUS. REF. NO.	PART NAME	GROUP
1.	PIN - Dowel	4.226	8.	VALVE - Oil pump priming	4.226
2.	SLEEVE - Pressure regulator booster valve	4.226	9.	REINFORCEMENT - Transfer plate	4.265
3.	VALVE - Pressure regulator booster	4.226	10.	COVER - Servo	4.212
4.	SEAT - Pressure regulator valve	4.226	11.	CASE - Transmission	4.103
5.	SPRING - Pressure regulator valve ..	4.226	12.	BODY ASSY. - Valve	4.265
6.	VALVE - Pressure regulator	4.226	13.	SCREEN ASSY. - Oil pump suction ..	4.224
7.	PUMP ASSY. - Oil	4.226	14.	LINK - Manual valve lever	4.265
			15.	ROLLER & SPRING ASSY. - Detent	4.279



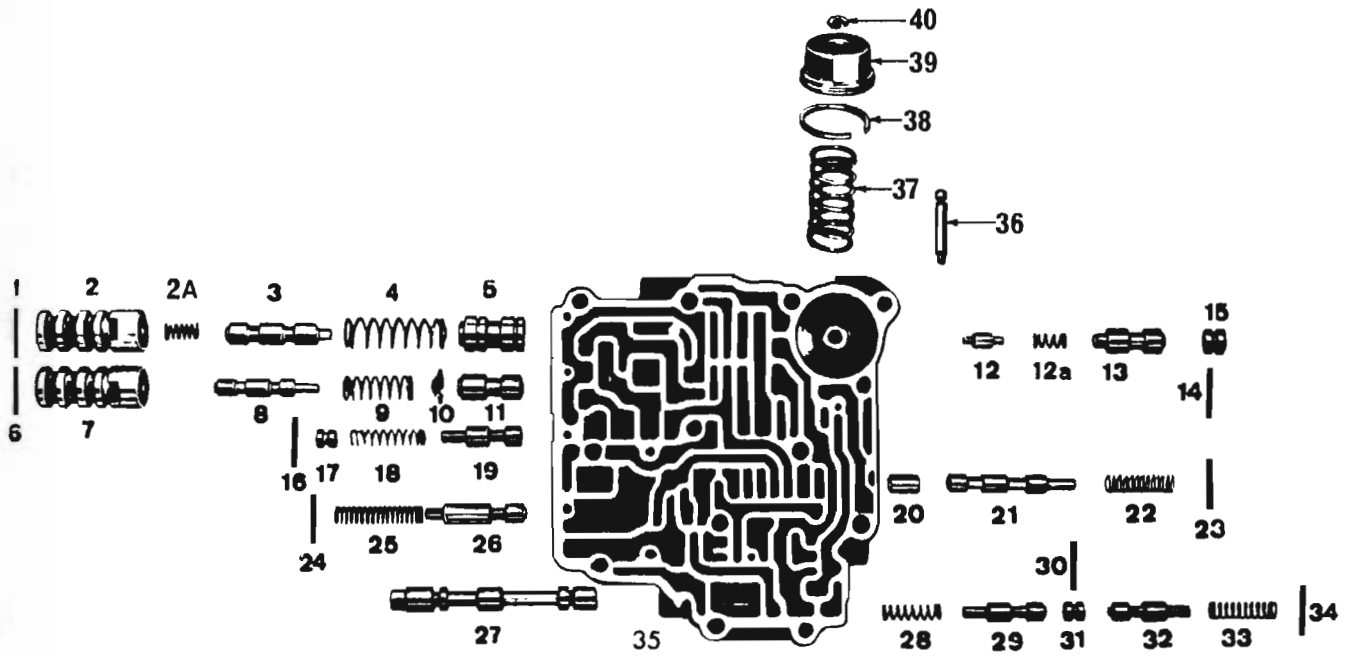
SERVO ASSEMBLY
(TRIMATIC)

ILLUS. REF. NO.	PART NAME	GROUP	ILLUS. REF. NO.	PART NAME	GROUP
1	SPRING - Servo piston return	4.233	3. 4. 5. 6. 7. 11.	PISTON ASSY. - Servo	4.228
2	ROD - Servo piston apply	4.230			
5	SPRING - Servo cushion piston	4.233			
6	RING - Servo piston	4.127			
8	RING - Servo piston retainer	4.128			
9	BOLT - Servo piston adjusting	8.975			
10	NUT - Servo piston adjusting	8.916			
11	RETAINER - Servo piston	4.233			



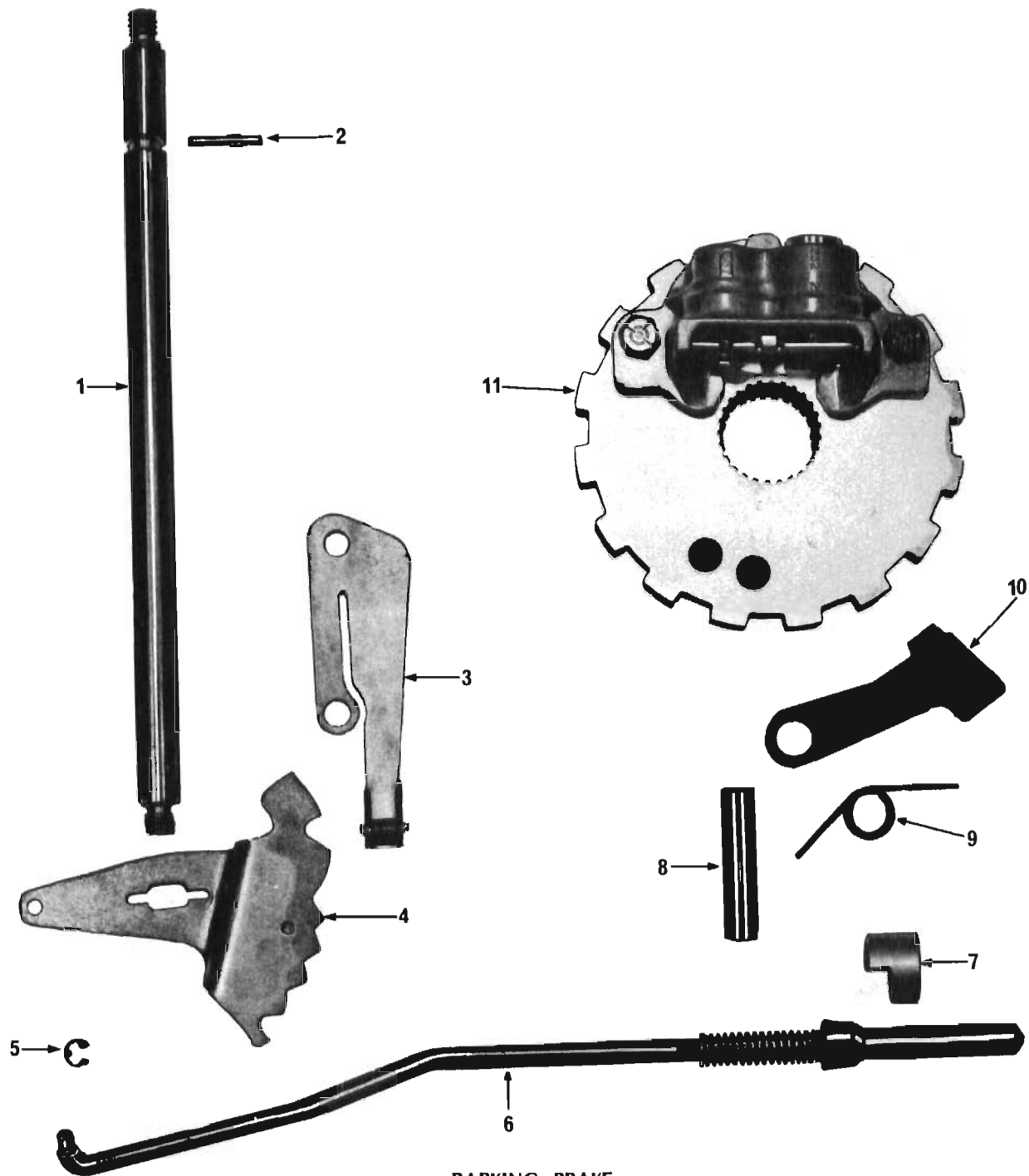
GOVERNOR ASSEMBLY
(TRIMATIC)

ILLUS. REF. NO.	PART NAME	GROUP
1	RETAINER - Secondary valve spring	4.256
2	SPRING - Secondary valve	4.256
3	VALVE - Secondary	4.256
4	VALVE - Primary	4.256
5	BODY - Valve	4.256



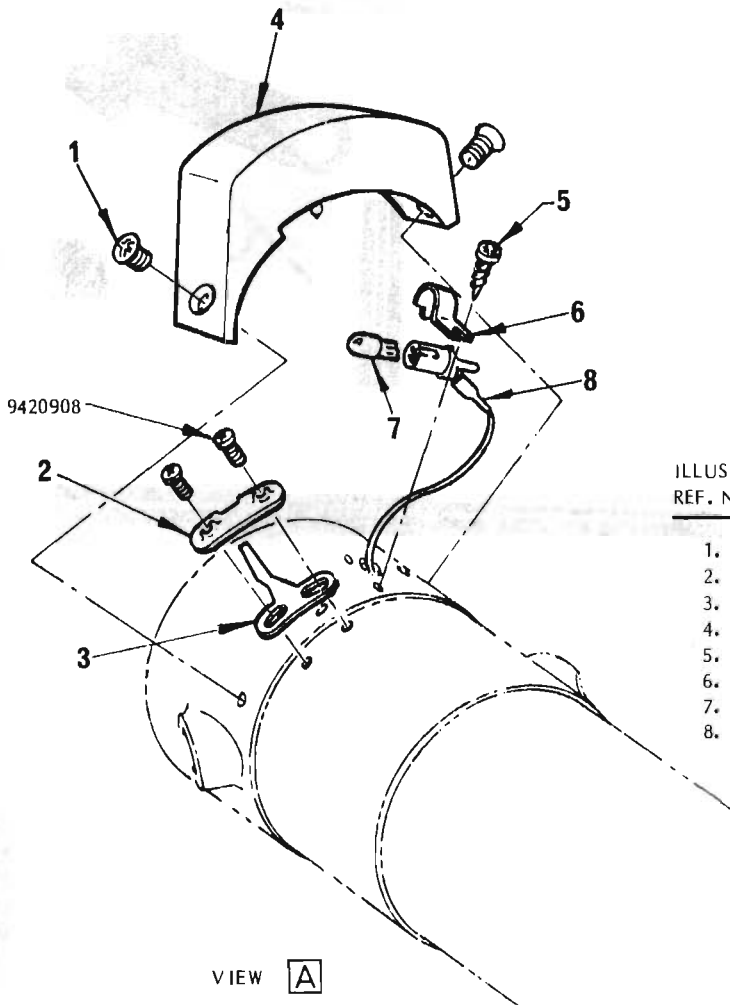
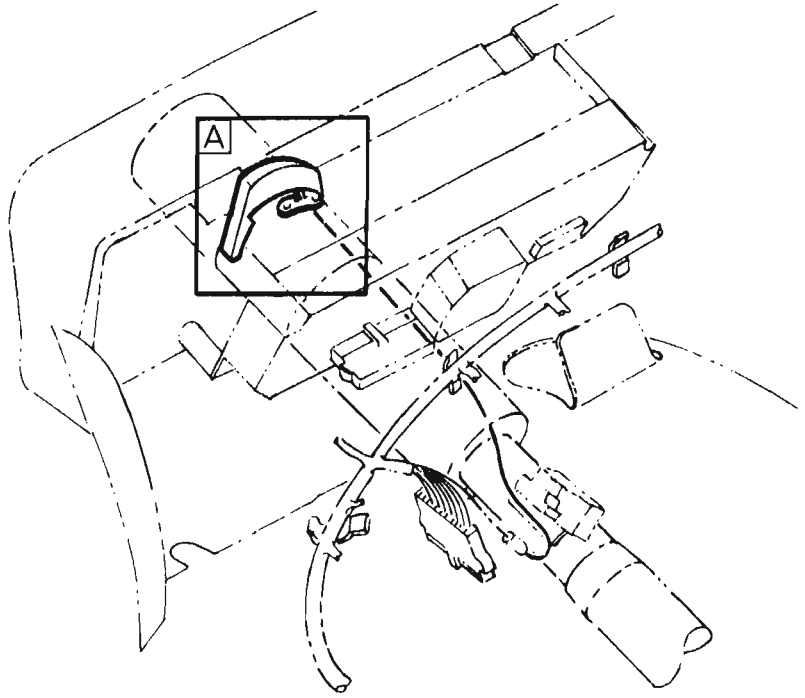
VALVE BODY
(Trimatic)

ILLUS. REF. NO.	PART NAME	GROUP	ILLUS. REF. NO.	PART NAME	GROUP
1.	PIN - Spring	4.265	20.	VALVE - Reverse control	4.265
2.	SLEEVE - 1st & 2nd shift control valve	4.265	21.	VALVE - Manual low control	4.265
2A.	SPRING - 1st & 2nd shift control valve - return	4.265	22.	SPRING - Manual low & reverse control valve	4.265
3.	VALVE - 1st & 2nd shift control	4.265	23.	PIN - Spring	4.265
4.	SPRING - 1st & 2nd shift control valve	4.265	24.	PIN - Spring	4.265
5.	VALVE - 1st & 2nd shift	4.265	25.	SPRING - Detent pressure regulator valve	4.265
6.	PIN - Spring	4.265	26.	VALVE - Detent pressure regulator	4.265
7.	SLEEVE - 2nd & 3rd shift control valve	4.265	27.	VALVE - Manual	4.265
8.	VALVE - 2nd & 3rd shift control	4.265	28.	SPRING - Low speed downshift timing valve	4.265
9.	SPRING - 2nd & 3rd shift control valve	4.265	29.	VALVE - Low speed downshift timing	4.265
10.	SEAT - 2nd & 3rd shift control valve spring	4.265	30.	PIN - Spring	4.265
11.	VALVE - 2nd & 3rd shift	4.365	31.	PLUG - Low speed downshift timing valve	4.265
12.	VALVE - 1st & 2nd accumulator control	4.265	32.	VALVE - High speed downshift timing	4.265
12A.	SPRING - 1st & 2nd accumulator valve	4.265	33.	SPRING - High speed downshift timing valve	4.265
13.	VALVE - 1st & 2nd accumulator	4.265	34.	PIN - Spring	4.265
14.	PIN - 1st & 2nd accumulator valve retaining	4.265	35.	BODY - Spring	4.265
15.	PLUG - 1st & 2nd accumulator valve	4.265	36.	PIN - Accumulator piston	4.233
16.	PIN - Spring	4.265	37.	SPRING - Accumulator piston	4.233
17.	PLUG - 3rd to 2nd control valve	4.265	38.	RING - Accumulator piston	4.127
18.	SPRING - 3rd to 2nd control valve	4.265	39.	PISTON - Accumulator	4.228
19.	VALVE - 3rd to 2nd control	4.265	40.	RING - Accumulator piston retaining	4.128



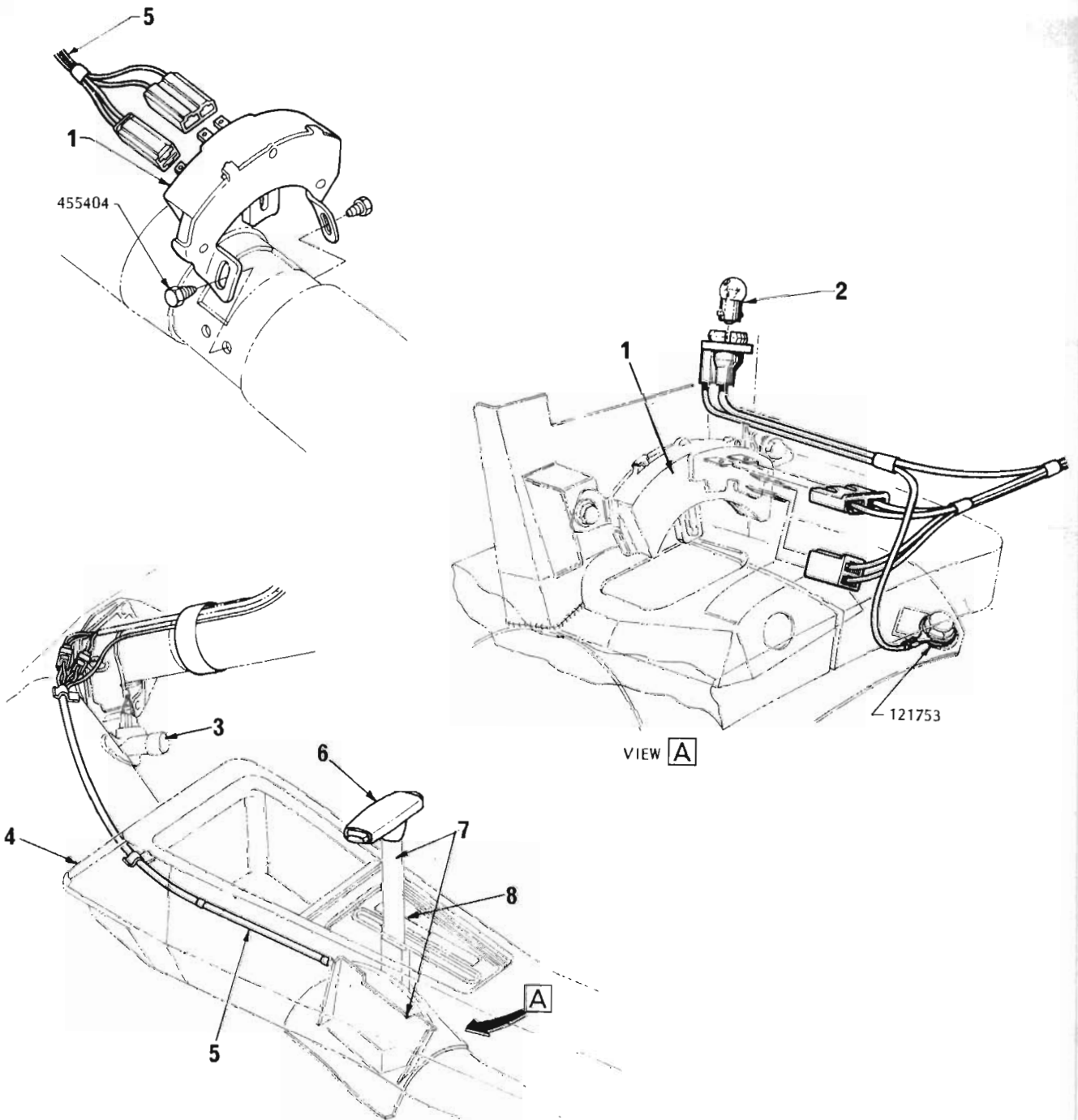
PARKING BRAKE
(Trimatic)

ILLUS. REF. NO.	PART NAME	GROUP	ILLUS. REF. NO.	PART NAME	GROUP
1.	SHAFT - Park lock & range selector	4.294	7.	SLEEVE - Actuator	4.294
2.	PIN - Park lock & range selector retaining	4.294	8.	SHAFT - Pawl	4.294
3.	ROLLER & SPRING ASSEMBLY	4.279	9.	SPRING - Pawl disengaging	4.295
4.	LEVER - Park lock & range selector	4.279	10.	PAWL	4.294
5.	RING - Actuator rod to lever	4.294	11.	GOVERNOR ASSEMBLY	4.256
6.	ACTUATOR	4.294			



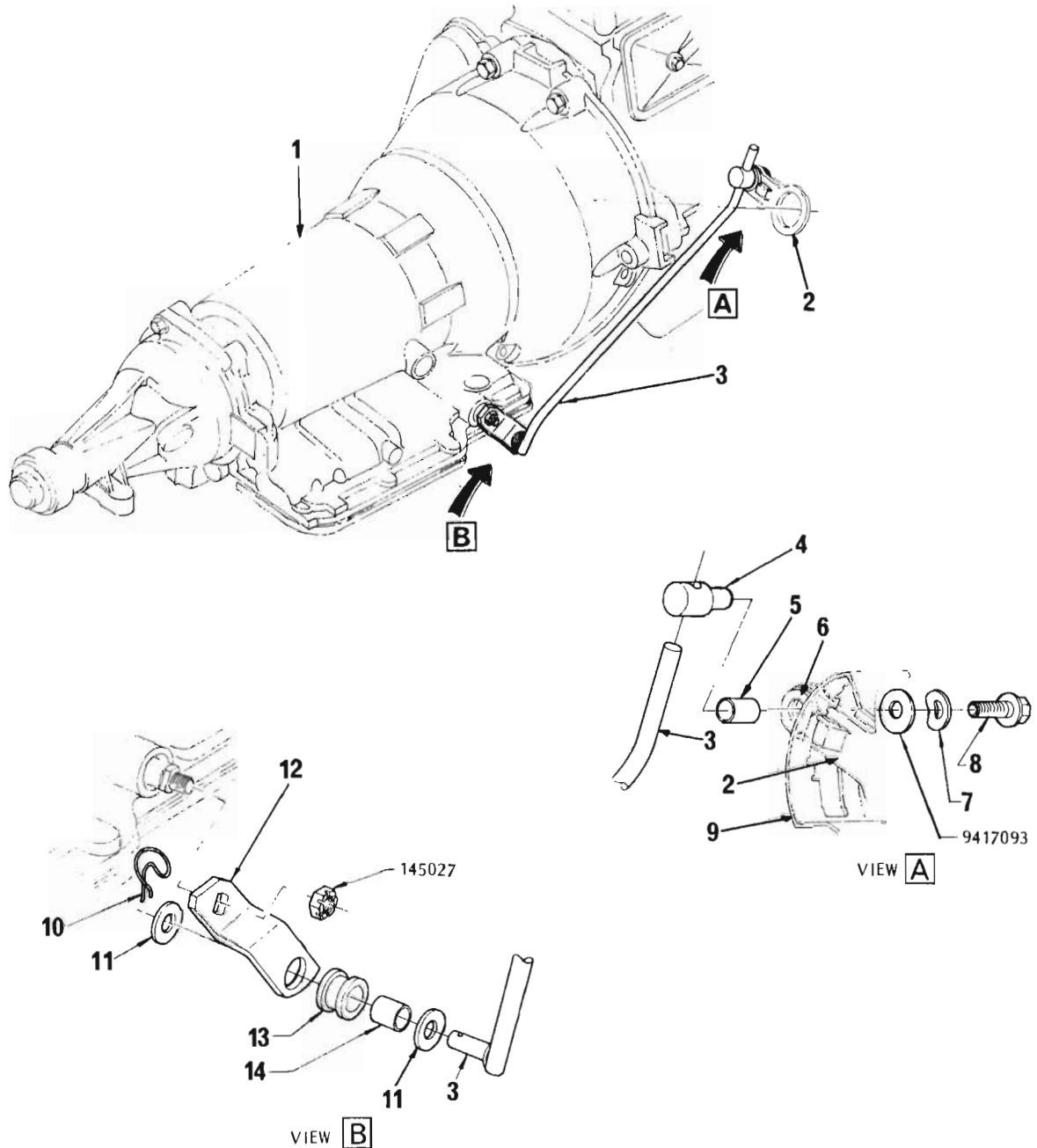
**TRANSMISSION INDICATOR -
STEERING COLUMN SHIFT**

ILLUS. REF. NO.	PART NAME	GROUP
1.	SCREW - Housing to column	4.038
2.	COVER - Pointer	4.038
3.	POINTER	4.038
4.	HOUSING & DIAL ASSY.	4.038
5.	SCREW - Bulb socket retainer	4.038
6.	RETAINER - Bulb socket	4.038
7.	BULB	4.038
8.	SOCKET & LEAD - Illumination	4.038



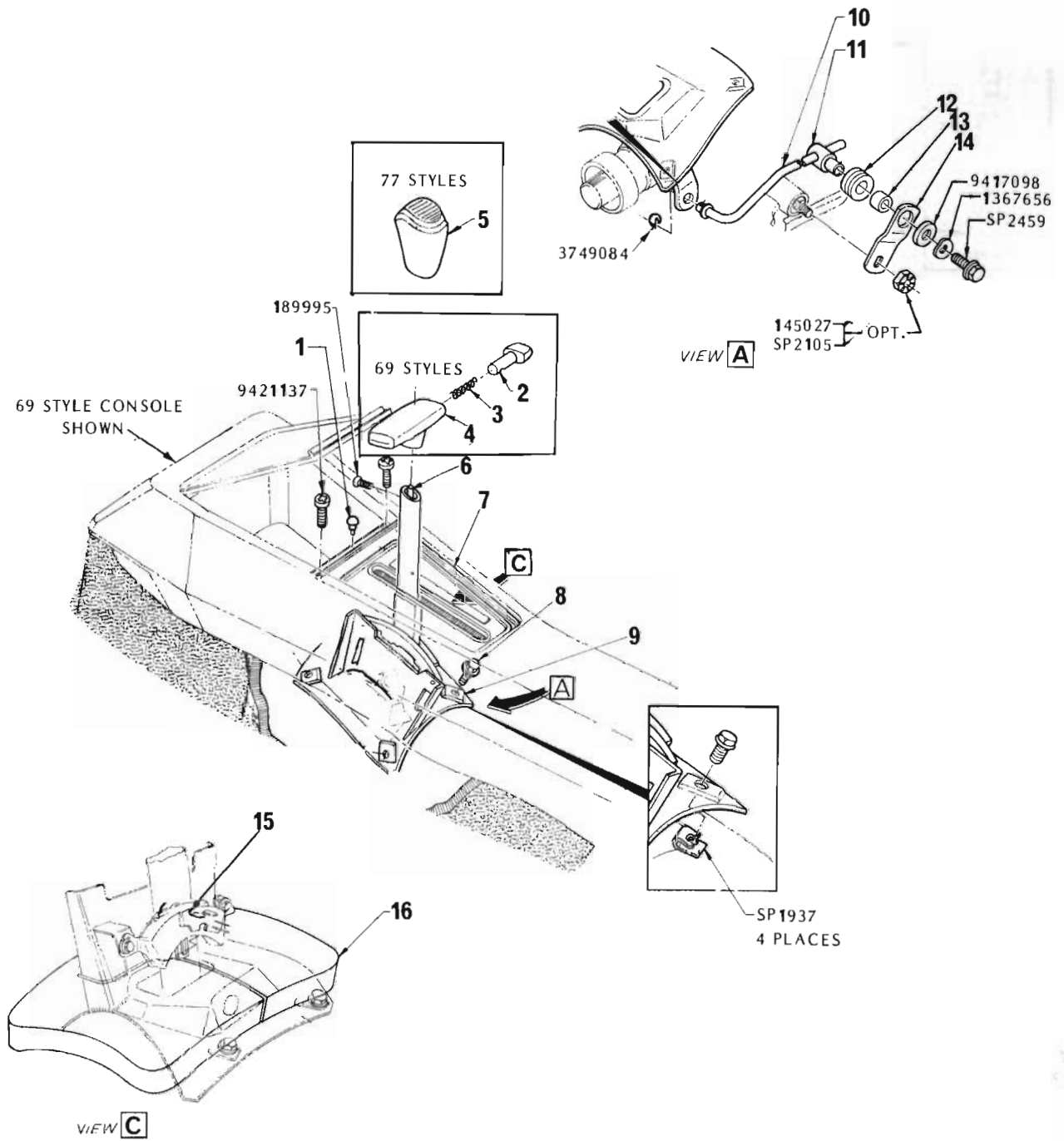
TRANSMISSION NEUTRAL STARTING SWITCH

ILLUS. REF. NO.	PART NAME	GROUP	ILLUS. REF. NO.	PART NAME	GROUP
1.	SWITCH – Neutral starting	4.054	5.	HARNESS ASSEMBLY	4.055
2.	BULB	4.038	6.	HANDLE	4.009
3.	SWITCH ASSEMBLY – Dimmer	2.459	7.	LEVER & SUPPORT ASSY.	4.006
4.	HOUSING	15.290	8.	DIAL – Control indicator	4.038



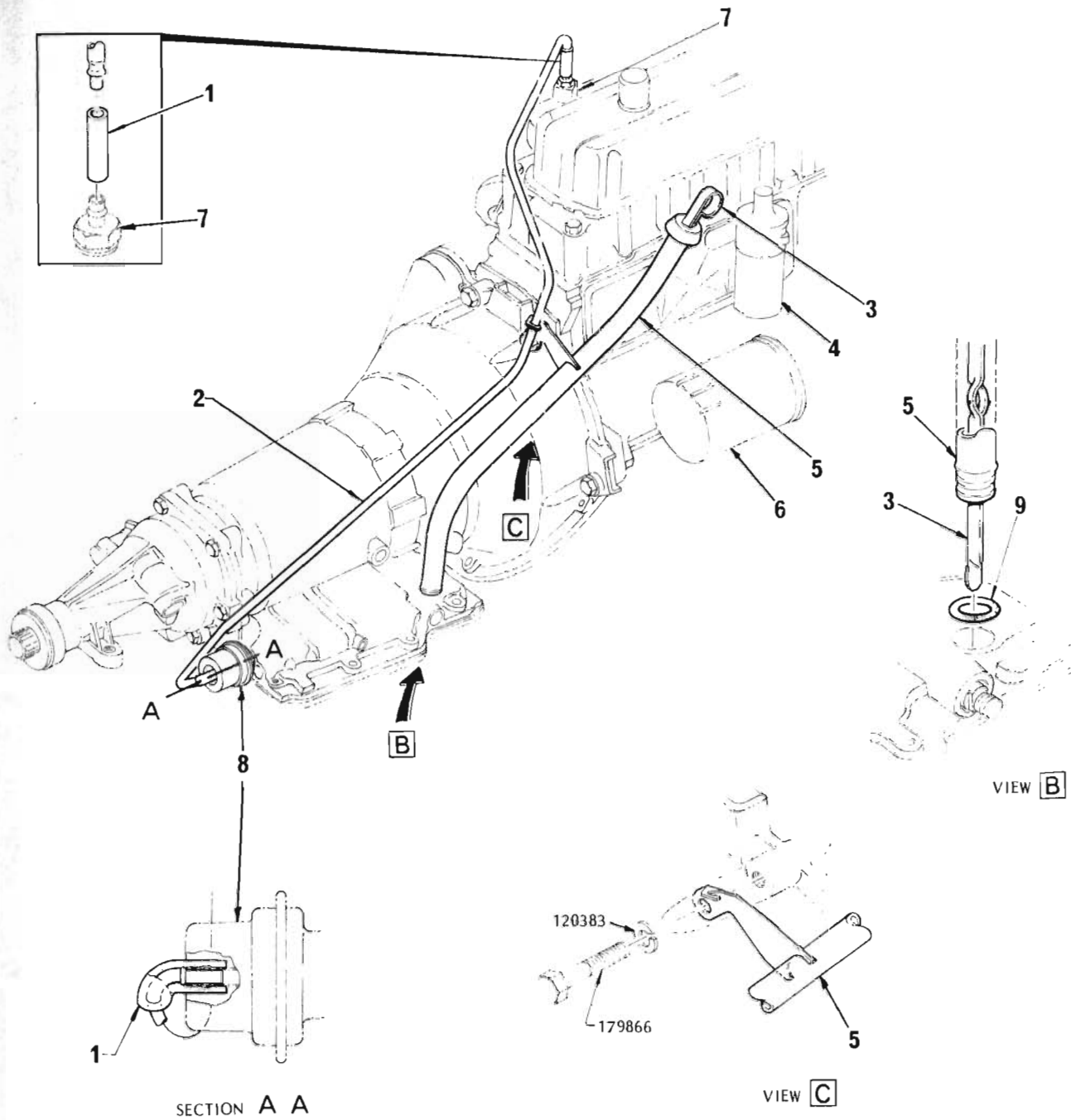
TRANSMISSION CONTROL – STEERING COLUMN SHIFT

ILLUS. REF. NO.	PART NAME	GROUP	ILLUS. REF. NO.	PART NAME	GROUP
1.	TRANSMISSION ASSEMBLY	4.003	8.	SCREW – Rod clamp	4.040
2.	TUBE ASSEMBLY	4.007	9.	GATE – Control selector	4.016
3.	ROD ASSEMBLY	4.040	10.	RETAINER – Rod to lever	4.040
4.	TRUNNION – Lever to rod	4.040	11.	WASHER – Rod to lever	4.040
5.	SLEEVE – Trunnion	4.040	12.	LEVER – External	4.041
6.	INSULATOR	4.040	13.	INSULATOR – Rod to lever	4.040
7.	WASHER – Spring	4.040	14.	SLEEVE – Rod to lever	4.040



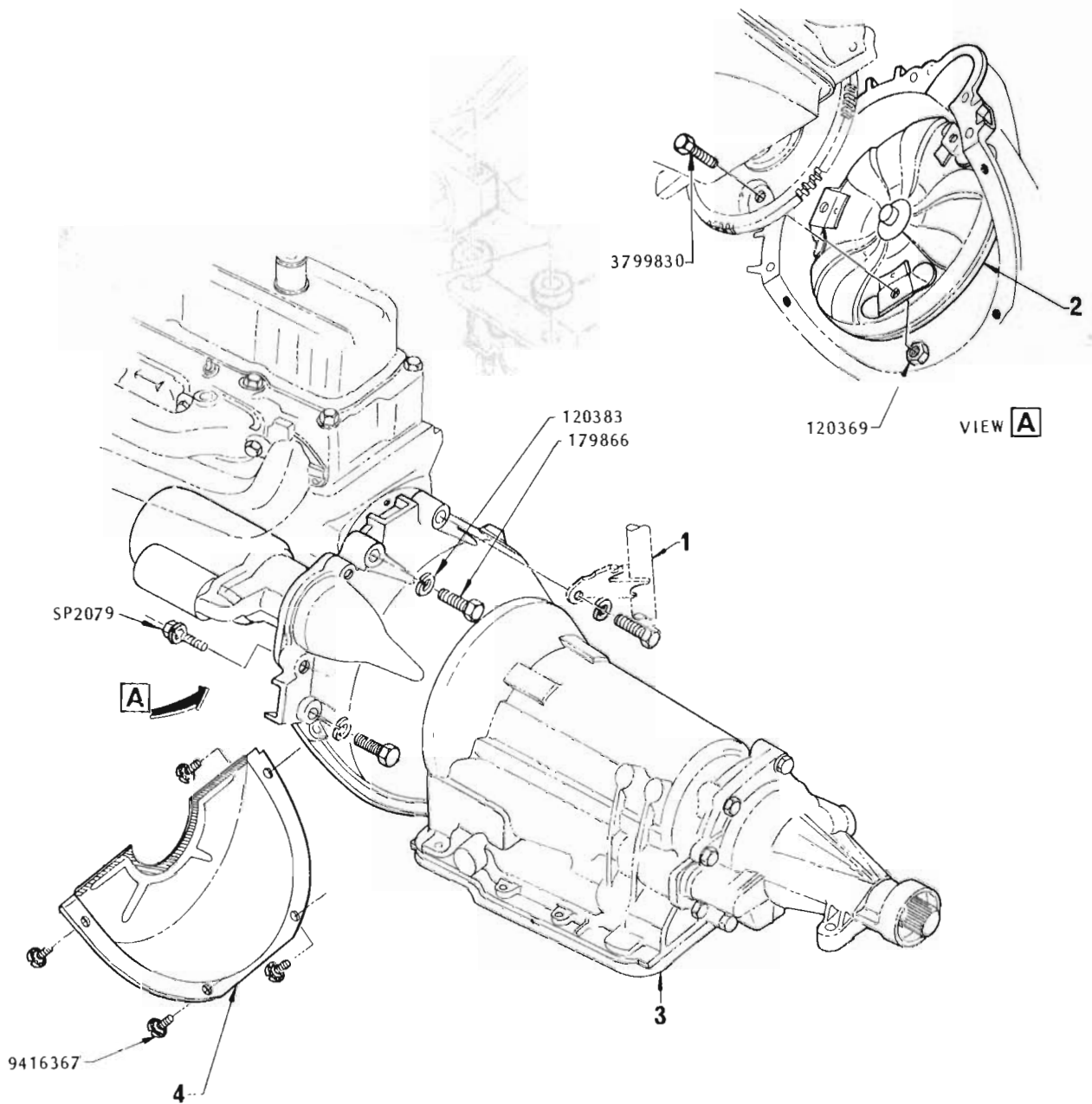
TRANSMISSION CONTROL – CONSOLE SHIFT

ILLUS. REF. NO.	PART NAME	GROUP	ILLUS. REF. NO.	PART NAME	GROUP
1.	BUMPER – Console lid	15.292	9.	SUPPORT ASSEMBLY	4.010
2.	BUTTON	4.009	10.	ROD ASSEMBLY	4.040
4.	SPRING	4.009	11.	TRUNNION – Rod to lever	4.040
4.	HANDLE	4.009	12.	INSULATOR	4.040
5.	KNOB	4.009	13.	SLEEVE – Trunnion	4.040
6.	LEVER ASSEMBLY	4.006	14.	LEVER – External control	4.041
7.	COVER – Control housing	15.293	15.	SWITCH ASSEMBLY	4.054
8.	BOLT – Support to floor	4.010	16.	INSULATOR – Lever & support	4.015



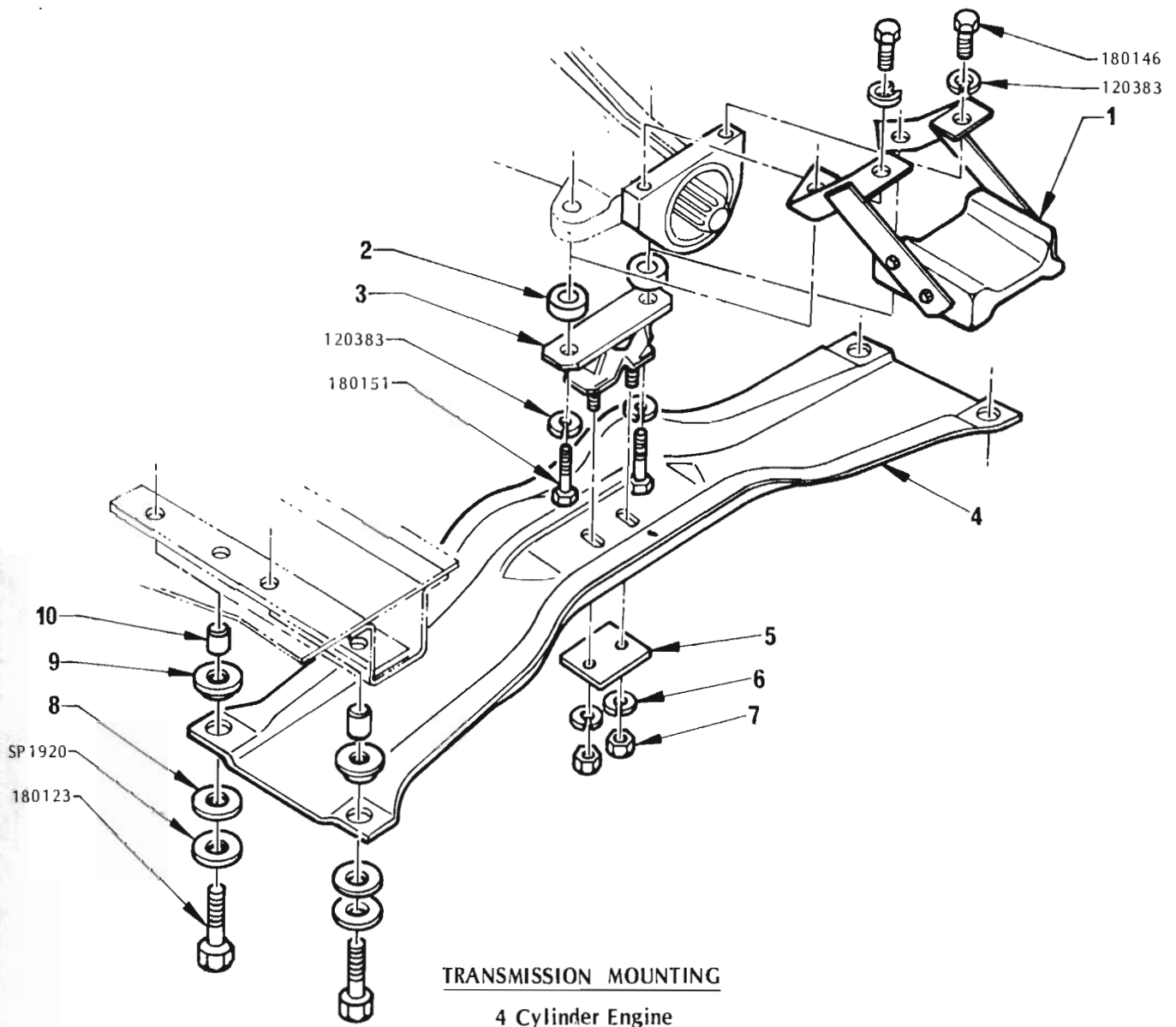
TRANSMISSION VACUUM MODULATOR and OIL FILLER

ILLUS. REF. NO.	PART NAME	GROUP	ILLUS. REF. NO.	PART NAME	GROUP
1.	SLEEVE – Modulator pipe	4.205	6.	FILTER ASSEMBLY – Oil	1.835
2.	PIPE – Vacuum modulator	4.205	7.	ADAPTOR – Vacuum	3.265
3.	INDICATOR ASSY. – Oil level	4.133	8.	MODULATOR ASSY. – Vacuum	4.265
4.	COIL ASSEMBLY	2.170	9.	'O' RING – Tube to case	4.133
5.	TUBE ASSEMBLY – Oil filler	4.133			



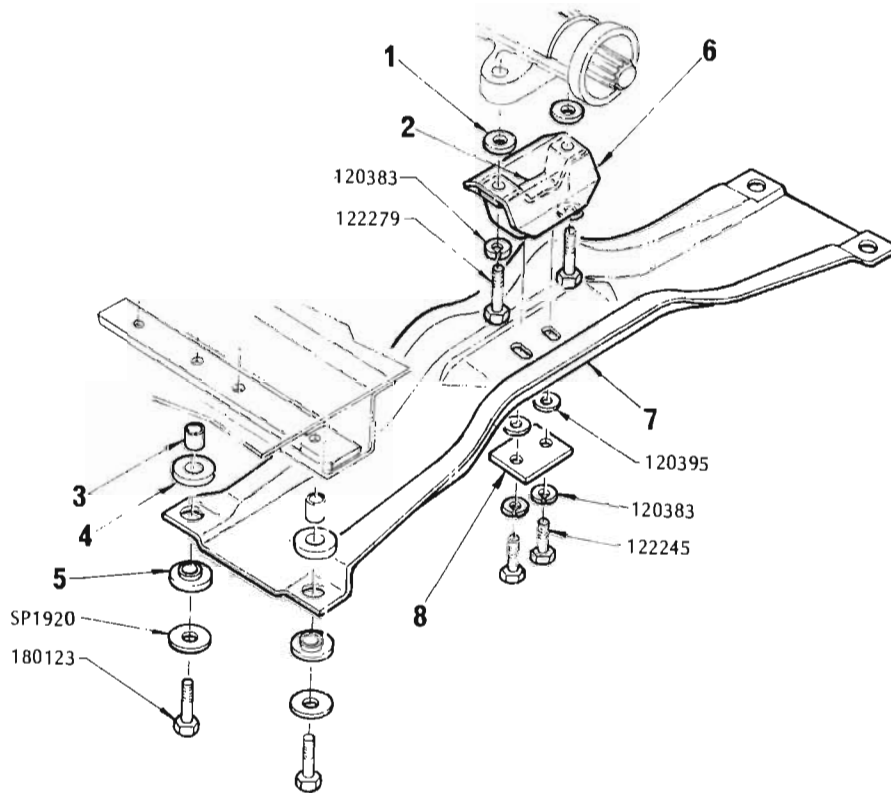
TRANSMISSION CONVERTER, LOWER COVER

ILLUS. REF. NO.	PART NAME	GROUP
1.	TUBE – Oil level indicator	1.516
2.	CONVERTER ASSEMBLY – Transmission	4.156
3.	TRANSMISSION ASSEMBLY	4.003
4.	COVER – Transmission converter	0.679



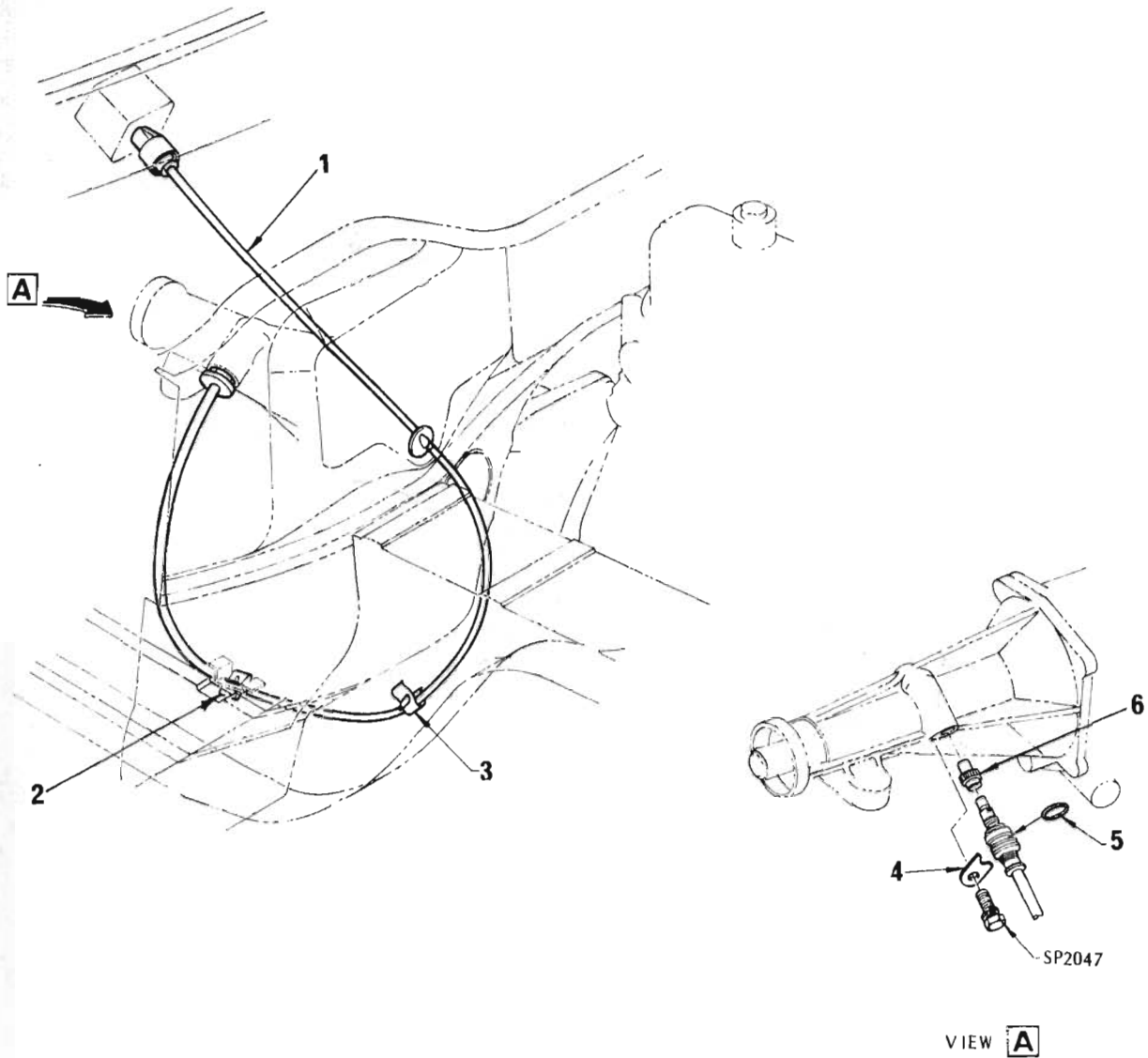
TRANSMISSION MOUNTING
4 Cylinder Engine

ILLUS. REF. NO.	PART NAME	GROUP
1.	BRACKET & DAMPER ASSY.	4.081
2.	SPACER	4.081
3.	MOUNTING	4.081
4.	SUPPORT - Engine rear mounting	12.982
5.	REINFORCEMENT	4.081
6.	WASHER - Mounting to support	4.081
7.	NUT - Mounting to support	4.081
8.	INSULATOR - Support lower	12.982
9.	INSULATOR - Support upper	12.982
10.	SPACER - Engine rear mounting support	12.982



**TRANSMISSION MOUNTING
6 & 8 Cylinder Engine**

ILLUS. REF. NO.	PART NAME	GROUP
1.	SPACER	4.081
2.	ARRESTOR	4.081
3.	SPACER - Mounting support	12.982
4.	INSULATOR - Support upper	12.982
5.	INSULATOR - Support lower	12.982
6.	MOUNTING ASSEMBLY	4.081
7.	SUPPORT - Rear mounting	12.982
8.	REINFORCEMENT	4.081



SPEEDOMETER DRIVE

ILLUS. REF. NO.	PART NAME	GROUP
1.	CABLE & CASING	4.342
2.	CLIP - Cable to floor pan	4.342
3.	CLIP - Pipe and cable to side member	4.342
4.	RETAINER - Casing, drive end	4.342
5.	SEAL - "O" Ring	4.338
6.	GEAR - Driven	4.337

TORANA "LX" PARTS CATALOGUE

GROUP	DESCRIPTION	MODEL	SIDE	PART No.	QTY.
TRANSMISSION ASSEMBLY, AUTOMATIC, STEERING COLUMN SHIFT, CONSOLE SHIFT					
4.003U TRANSMISSION					
TRANSMISSION ASSY	4 Cyl. Eng.			9930271	1
TRANSMISSION ASSY	2250 Eng.	RIGHT HAND DRIVE		2817778	1
		LEFT HAND DRIVE		2817777	1
TRANSMISSION ASSY	2850 Eng.	RIGHT HAND DRIVE		2817774	1
		LEFT HAND DRIVE		2817773	1
TRANSMISSION ASSY	3300 Eng.	RIGHT HAND DRIVE		2817779	1
		LEFT HAND DRIVE		9935032	1
TRANSMISSION ASSY	4.2 Litre Eng.	RIGHT HAND DRIVE		2817775	1
TRANSMISSION ASSY	5 Litre Eng.	RIGHT HAND DRIVE		2817776	1
TRANSMISSION ASSY	8 Cyl. Eng.	LEFT HAND DRIVE		9930272	1
BOLT - Hex. hd. - Trans. to engine - 10mm x 1.5 x 35mm	4 Cyl. Eng.			2000498	5
BOLT - Hex. hd. - Trans. to engine - 10mm x 1.5 x 25mm	4 Cyl. Eng.			2000418	1
BOLT - Trans. to engine	6 Cyl. Eng.			179866	4
WASHER - Trans. to engine	6 Cyl. Eng.			120383	4
BOLT & WASHER ASSY. - Trans. to engine	8 Cyl. Eng.			SP2139	6
4.005U GASKET SET - Transmission					
GASKET & SEAL SET - Minor	ALL			2820213	1
GASKET & SEAL SET - Major	ALL			2820214	1
SEAL KIT	ALL			2811196	1
4.006U LEVER - Transmission control					
LEVER ASSY	Steering Column Shift				
		RIGHT HAND DRIVE		9928845	1
		LEFT HAND DRIVE		9934375	1
LEVER & SUPPORT ASSY	Console Shift	RIGHT HAND DRIVE		2817162	1
		LEFT HAND DRIVE		9929833	1
LEVER ASSY	Console Shift	RIGHT HAND DRIVE		9939936	1
		LEFT HAND DRIVE		9939937	1
PLUNGER	Console Shift			2817028	1
SPRING	Console Shift			2817074	1
DAMPER - Plunger	Console Shift			9941633	1
4.007U TUBE - Shift control					
TUBE ASSEMBLY	Steering Column Shift				
		RIGHT HAND DRIVE		9929053	1
		LEFT HAND DRIVE		9929638	1
PIN	Steering Column Shift			7429551	1
4.009U KNOB, HANDLE, BUTTON, SPRING - Transmission control lever					
KNOB - Black	VB, VC Steering Column Shift			2813559BA	1
KNOB - Tan	VC Steering Column Shift			2813559DX	1
KNOB - Covert	VC Steering Column Shift			2813559DY	1
HANDLE	Sedan Console Shift			9930061	1
SCREW - Handle to lever	Sedan Console Shift			189995	1
BUTTON	Sedan Console Shift			9930164	1
SPRING	Sedan Console Shift			2825528	1
KNOB ASSY.	Hatchback			9940736	1
SCREW - Knob to lever	Hatchback			189995	1
SPRING - Knob	Hatchback			5258578	1
4.010U SUPPORT - Transmission control lever					
SUPPORT ASSEMBLY	Console Shift			2817163	1
BOLT - Support to floor	Console Shift			7436618	4
NUT - Support to floor	Console Shift			SP2024	4
4.015U BOOT, INSULATOR - Transmission control lever					
BOOT - Lower lever	Console Shift			2816985	1
INSULATOR - Lever & support to floor	Console Shift			2824609	1

TORANA "LX" PARTS CATALOGUE

GROUP	DESCRIPTION	MODEL	SIDE	PART No.	QTY.
TRANSMISSION ASSEMBLY, AUTOMATIC, STEERING COLUMN SHIFT, CONSOLE SHIFT					
4.016U GATE – Transmission control selector					
GATE	Steering Column Shift				
		RIGHT HAND DRIVE		2812256	1
		LEFT HAND DRIVE		9929146	1
GATE	Console Shift			2817097	1
PIN – Spring $\frac{3}{16}$ " x 1"	Console Shift			455481	1
SCREW – Gate to support	Console Shift			9411397	2
SCREW – Gate to jacket	Steering column shift			163158	4
WASHER – Gate to jacket	Steering column shift			SP2442	4
4.017U SPRING – Transmission shift control					
SPRING – Lever anti-rattle	Steering Column Shift			7439930	1
4.018U SUPPORT – Transmission control lever					
SUPPORT	Steering Column Shift				
		RIGHT HAND DRIVE		9928914	1
		LEFT HAND DRIVE		9930108	1
SPACER – Support	Steering Column Shift			9933746	1
WASHER – Support	Steering Column Shift			9933747	1
4.019U SHAFT, BUSHING, LEVER - Transmission Control lower					
SHAFT	Console Shift			9939935	1
PIN – Spring $\frac{3}{16}$ " x 1"	Console Shift			455481	3
BUSHING – Shaft	Console Shift			9939941	1
RETAINER – Shaft	Console Shift			SP2203	1
LEVER	Console Shift	RIGHT HAND DRIVE		9939938	1
		LEFT HAND DRIVE		9939939	1
4.038U HOUSING, DIAL, POINTER – Transmission control indicator					
HOUSING & DIAL ASSY. – Black	UG, VB, VC Steering Column Shift				
		RIGHT HAND DRIVE		9941592BA	1
		LEFT HAND DRIVE		9941593BA	1
HOUSING & DIAL ASSY. – Tan	VC Steering Column Shift				
		RIGHT HAND DRIVE		9941592DX	1
		LEFT HAND DRIVE		9941593DX	1
HOUSING & DIAL ASSY – Covert	VC Steering Column Shift				
		RIGHT HAND DRIVE		9941592DY	1
		LEFT HAND DRIVE		9941593DY	1
SCREW – Housing to column	Steering Column Shift			SP1961	2
SOCKET & LEAD – Illumination	Steering Column Shift			9942143	1
RETAINER – Bulb socket	Steering Column Shift			2822635	1
SCREW – Bulb socket retainer	Steering Column Shift			SP2427	1
BULB – Miniature wedge base 12V 1.2W	Steering Column Shift			SP2103	1
POINTER	Steering Column Shift			9941594	1
SCREW – Pointer to gear shift support	Steering Column Shift			9420908	2
COVER – Pointer	Steering Column Shift			7419642	1
POINTER	Console Shift			9941416	1
SLIDE	Console Shift			2820284	1
DIAL	Console Shift	RIGHT HAND DRIVE		9941417	1
		LEFT HAND DRIVE		9941418	1
FILTER – Lamp mounting plate	Console Shift	RIGHT HAND DRIVE		VS13170	1
		LEFT HAND DRIVE		VS13171	1
PLATE – Control cover	Sedan Console Shift	RIGHT HAND DRIVE		2820286	1
		LEFT HAND DRIVE		9928763	1
PLATE – Control cover	Hatchback Console Shift				
		RIGHT HAND DRIVE		9941497	1
		LEFT HAND DRIVE		9941498	1
PLATE – Lamp mounting	Console Shift	RIGHT HAND DRIVE		2820285	1
SCREW – Plate to cover	Console Shift			274762	3
BULB – 12-16V, 2 C.P. S.C.	Console Shift			9417863	1

TORANA "LX" PARTS CATALOGUE

GROUP	DESCRIPTION	MODEL	SIDE	PART No.	QTY.
TRANSMISSION ASSEMBLY, AUTOMATIC, STEERING COLUMN SHIFT, CONSOLE SHIFT					
4.040U TRUNNION, SLEEVE, INSULATOR, ROD, SHAFT, LEVER – Transmission control					
	TRUNNION – Lever to rod	Steering Column Shift		2814030	1
	SLEEVE – Trunnion	Steering Column Shift		2814031	1
	INSULATOR	Steering Column Shift		2814033	1
	WASHER – Spring	Steering Column Shift		1367656	1
	WASHER	Steering Column Shift		9417098	1
	SCREW – Rod clamp	Steering Column Shift		SP2459	1
	ROD ASSY.	Steering Column Shift			
		RIGHT HAND DRIVE		2824227	1
		LEFT HAND DRIVE		9929148	1
	SLEEVE – Rod to external lever	Steering Column Shift		7427808	1
	INSULATOR – Rod to external lever	Steering Column Shift		7427807	1
	WASHER – Rod to external lever	Steering Column Shift		SP1445	2
	RETAINER – Rod to external lever	Steering Column Shift		3749084	1
	ROD ASSY.	4 Cyl. Eng. Console Shift		9937814	1
	ROD ASSY.	6, 8 Cyl. Eng. Console Shift			
		RIGHT HAND DRIVE		9929587	1
		LEFT HAND DRIVE		9929995	1
	RETAINER – Rod to lever	Console Shift		3749084	1
	TRUNNION – Rod to lever	Console Shift		2814030	1
	SLEEVE – Trunnion	Console Shift		2814031	1
	INSULATOR	Console Shift		2814033	1
	WASHER – Spring	Console Shift		1367656	1
	WASHER	Console Shift		9417098	1
	SCREW – Rod clamp	Console Shift		SP2459	1
4.041U LEVER – Transmission external control					
	LEVER	6 Cyl. Eng. Steering Column Shift			
		RIGHT HAND DRIVE		2824226	1
		LEFT HAND DRIVE		9928947	1
	LEVER	Console Shift	RIGHT HAND DRIVE	2818195	1
			LEFT HAND DRIVE	9929850	1
	NUT – Lever to transmission	ALL		110.68771 (145027)	1
4.054U SWITCH – Neutral starting and back-up					
	SWITCH ASSEMBLY	Steering Column Shift			
		RIGHT HAND DRIVE		2815222	1
		LEFT HAND DRIVE		1993404	1
	SWITCH ASSEMBLY	Console Shift		2819807	1
	SCREW	ALL		455404	2
	WASHER	ALL		120391	2
4.054U SWITCH – Solenoid detent actuating					
	SWITCH ASSEMBLY	ALL		2819605	1
	BRACKET ASSEMBLY – Switch mounting	ALL		9929282	1
	NUT – Switch mounting	ALL		858388	1
	WASHER- Switch mounting	ALL		120391	2
4.055U HARNESS – Neutral starting safety switch					
	HARNESS ASSEMBLY	Console Shift		9929951	1
	BODY – Terminal 2 way female	Console Shift		2962679	1
	BODY – Terminal 2 way male	Console Shift		2977763	1
	BODY – Terminal 2 way male	Console Shift		2973431	1
	BODY – Terminal 2 way panel	Console Shift		2962967	1
	BODY – Lamp socket	Console Shift		5297797	1
	SPRING – Lamp socket	Console Shift		2962243	1
	WASHER – Transmission control & harness to floor pan	Console Shift		121753	1

TORANA "LX" PARTS CATALOGUE

GROUP	DESCRIPTION	MODEL	SIDE	PART No.	QTY.
TRANSMISSION ASSEMBLY, AUTOMATIC, STEERING COLUMN SHIFT, CONSOLE SHIFT					
4.055U LEAD - Solenoid detent switch					
	LEAD ASSEMBLY - Switch to dash panel connector	ALL		9941636	1
4.081U MOUNTING - Transmission support					
	MOUNTING ASSY.	4 Cyl. Eng.		2825736	1
	NUT - Mounting support	4 Cyl. Eng.		2064229	2
	WASHER - Mounting support	4 Cyl. Eng.		2074152	2
	BOLT - Mounting to trans.	4 Cyl. Eng.		180151	2
	WASHER - Mounting to trans.	4 Cyl. Eng.		120383	2
	MOUNTING ASSY.	6, 8 Cyl. Eng.		7432235	1
	BOLT - Mounting & arrestor to trans.	6, 8 Cyl. Eng.		122279	2
	WASHER - Mounting & arrestor to trans.	6, 8 Cyl. Eng.		120383	2
	BOLT - Mounting to support	6, 8 Cyl. Eng.		122246	2
	WASHER - Mounting to support, flat	6, 8 Cyl. Eng.		120395	2
	WASHER - Mounting to support, spring	6, 8 Cyl. Eng.		120383	2
	SPACER	4 Cyl. Eng.		9928668	2
	SPACER	6, 8 Cyl. Eng.		9934096	2
	ARRESTOR	6, 8 Cyl. Eng.		7432222	1
	BRACKET & DAMPER ASSY.	4 Cyl. Eng.		9937816	1
	BOLT - Damper bracket to collar	4 Cyl. Eng.		180146	2
	WASHER - Damper bracket to collar	4 Cyl. Eng.		120383	2
	BOLT - Damper to bracket	4 Cyl. Eng.		120233	4
	WASHER - Damper to bracket	4 Cyl. Eng.		120382	4
	REINFORCEMENT	4 Cyl. Eng.		2825365	1
	REINFORCEMENT	6 Cyl. Eng.		9928656	1
4.103U CASE - Transmission					
	CASE ASSY.		RIGHT HAND DRIVE	2818390	1
			LEFT HAND DRIVE	2818391	1
	BUSHING - Case	ALL		5258191	1
	BALL - 1/4"	ALL		453570	1
	PLUG - Line pressure	ALL		444613	1
4.104U VENT - Transmission					
	VENT ASSY.	ALL		3820840	1
4.127U RING - Transmission oil seal (Metal)					
	RING KIT	ALL		2811197	1
	RING - Servo piston	ALL		5258159	1
	RING - Accumulator piston	ALL		8623653	1
	RING - 2nd clutch oil seal	ALL		9938079	2
	RING - Governor hub oil seal	ALL		5258100	3
4.128U PIPE - Transmission oil cooler					
	PIPE ASSY - Inlet	4 Cyl. Eng. Reg. Rad. exc. Air Cond.		9931816	1
	PIPE ASSY - Inlet	4 Cyl. Eng. H/Duty Rad.		9931818	1
	PIPE ASSY - Inlet	4 Cyl. Eng. Air Cond.		9931818	1
	PIPE ASSY - Inlet	6 Cyl. Eng.		9931892	1
	PIPE ASSY - Inlet	8 Cyl. Eng.		9930353	1
	PIPE ASSY - Outlet	4 Cyl. Eng. Reg. Rad. exc. Air Cond.		9931817	1
	PIPE ASSY - Outlet	4 Cyl. Eng. H/Duty Rad.		9931819	1
	PIPE ASSY - Outlet	4 Cyl. Eng. Air Cond.		9931819	1
	PIPE ASSY - Outlet	6 Cyl. Eng. Reg. Rad. exc. Air Cond.		9931893	1
	PIPE ASSY - Outlet	6 Cyl. Eng. H/Duty Rad.		9931896	1
	PIPE ASSY - Outlet	6 Cyl. Eng. Air Cond.		9931896	1
	PIPE ASSY - Outlet	8 Cyl. Eng.		9930070	1
	CLIP - Inlet to outlet pipe	ALL		3710497	3
	CLIP - Pipes to engine	4 Cyl. Eng.		9931815	1
	CONNECTOR - Pipes to rad. & trans.	ALL		145475	4
	NUT - Connector	ALL		137398	4

TORANA "LX" PARTS CATALOGUE

GROUP	DESCRIPTION	MODEL	SIDE	PART No.	QTY.
TRANSMISSION ASSEMBLY, AUTOMATIC, STEERING COLUMN SHIFT, CONSOLE SHIFT					
4.128U	RING – Transmission retainer and snap				
	RING – Servo piston retainer	ALL		5258121	1
	RING – Retainer front accumulator piston	ALL		5259667	1
	RING – Reverse clutch piston return spring seat retainer	ALL		5258093	1
	RING – 2nd clutch piston return spring seat retainer	ALL		5258093	1
	RING – 3rd clutch piston return spring retainer	ALL		5258094	1
	RING – 3rd clutch retainer	ALL		5258132	1
	RING – Governor to output shaft	ALL		5258116	1
	RING – Ring gear retainer	ALL		8958619	2
4.129U	WASHER – Transmission thrust				
	WASHER – Clutch (Yellow) .070" – .074"	ALL		(⁸ 5258202	1
	WASHER – Clutch (Blue) .076" – .080"	ALL		(⁸ 5258203	1
	WASHER – Clutch (Red) .081" – .085"	ALL		(⁸ 5258204	1
	WASHER – Clutch (Brown) .086" – .090"	ALL		(⁸ 5258205	1
	WASHER – Clutch (Green) .091" – .095"	ALL		(⁸ 5258206	1
	WASHER – Clutch (Black) .096" – .100"	ALL		(⁸ 5258207	1
	WASHER – Clutch (White) .101" – .105"	ALL		(⁸ 9936268	1
	WASHER – Clutch (Purple) 106" – 110"	ALL		(⁸ 9936269	1
	WASHER – Clutch (Orange) 111" – .115"	ALL		(⁸ 9936270	1
	WASHER – 2nd & 3rd clutch (Steel)	ALL		5258090	1
	WASHER – 2nd & 3rd clutch (Bronze)	ALL		5258091	1
	WASHER – Reaction sun gear & drum	ALL		9938756	2
4.133U	TUBE, INDICATOR, "O" RING – Transmission oil				
	TUBE ASSY – Oil filler	4 Cyl. Eng.		749005	1
	INDICATOR ASSY. – Oil level	4 Cyl. Eng.		749206	1
	TUBE ASSY – Oil filler	6 Cyl. Eng.		2805057	1
	INDICATOR ASSY. – Oil level	6 Cyl. Eng.		2805059	1
	TUBE ASSY – Oil filler	8 Cyl. Eng.		7449561	1
	INDICATOR ASSY – Oil level	8 Cyl. Eng.		7449562	1
	"O" RING – Tube to case	ALL		6255641	1
	PLUG & INDICATOR – Oil filler	ALL		9942617	1
4.153U	CLUTCH – Third				
	CLUTCH ASSY	4 Cyl. Eng.		9936193	1
	CLUTCH ASSY	2250 Eng.		9936193	1
	CLUTCH ASSY	2850, 3300 Eng.		9940799	1
	CLUTCH ASSY	8 Cyl. Eng.		2816434	1
4.153U	DRUM and INPUT SHAFT – 3rd clutch				
	DRUM & INPUT SHAFT ASSY	4, 6 Cyl. Eng.		5258095	1
	DRUM & INPUT SHAFT ASSY	8 Cyl. Eng.		5258350	1
	BALL – 1/4"	ALL		453570	1
4.156U	CONVERTER – Transmission				
	CONVERTER ASSY	4 Cyl. Eng.		9936979	1
	CONVERTER ASSY	2250 Eng.		5258294	1
	CONVERTER ASSY	2850, 3300 Eng.		5258293	1
	CONVERTOR ASSY.	4.2 Litre Eng.		2820507	1
	CONVERTER ASSY	5 Litre Eng.		3850525	1
	BOLT – Converter to drive plate	4 Cyl. Eng.		SP2563	3
	BOLT – Converter to drive plate	6, 8 Cyl. Eng.		3799830	3
	NUT – Converter to drive plate	6, 8 Cyl. Eng.		120369	3

Note: (⁸ Selective fit.

TORANA "LX" PARTS CATALOGUE

GROUP	DESCRIPTION	MODEL	SIDE	PART No.	QTY.
TRANSMISSION ASSEMBLY, AUTOMATIC, STEERING COLUMN SHIFT, CONSOLE SHIFT					
4.158U CLUTCH – Second					
	CLUTCH ASSY.	4 Cyl. Eng.		2816426	1
	CLUTCH ASSY.	2250 Eng.		2816426	1
	CLUTCH ASSY.	2850 Eng.		2816427	1
	CLUTCH ASSY.	3300 Eng.		2816428	1
	CLUTCH ASSY.	8 Cyl. Eng.		2820994	1
4.158U DRUM, BUSHING, SPRAG – Transmission clutch					
	DRUM ASSY - 2nd clutch	ALL		5258129	1
	BUSHING - 2nd clutch hub	ALL		5258128	1
	BUSHING - Reaction sun gear drum	ALL		2816491	1
	SPRAG ASSY - Input	ALL		5258137	1
	RACE & RETAINER ASSY. - 3rd clutch input sprag	ALL		5258351	1
4.163U PLATE, SPACER – Clutch					
	PLATE ASSY - 2nd drive	4 Cyl. Eng.		5258025	3
	PLATE ASSY - 2nd drive	2250 Eng.		5258025	3
	PLATE ASSY - 2nd drive	2850 Eng.		5258025	4
	PLATE ASSY - 2nd drive	3300 Eng.		5258025	5
	PLATE ASSY - 2nd drive	8 Cyl. Eng.		5258025	6
	PLATE - 2nd driven	4 Cyl. Eng.		5258057	4
	PLATE - 2nd driven	2250 Eng.		5258057	4
	PLATE - 2nd driven	2850 Eng.		5258057	5
	PLATE - 2nd driven	3300 Eng.		5258057	6
	PLATE - 2nd driven	8 Cyl. Eng.		5258057	7
	PLATE - 2nd cushion	ALL		5258990	1
	PLATE - 3rd drive	4 Cyl. Eng.		5258035	3
	PLATE - 3rd drive	2250 Eng.		5258035	3
	PLATE - 3rd drive	2850, 3300 Eng.		5258035	4
	PLATE - 3rd drive	8 Cyl. Eng.		5258035	5
	PLATE - 3rd driven	4 Cyl. Eng.		5258058	4
	PLATE - 3rd driven	2250 Eng.		5258058	4
	PLATE - 3rd driven	2850, 3300 Eng.		5258058	5
	PLATE - 3rd driven	8 Cyl. Eng.		5258058	6
	PLATE - Reverse drive	4 Cyl. Eng.		5258017	3
	PLATE - Reverse drive	2250 Eng.		5258017	3
	PLATE - Reverse drive	2850, 3300 Eng.		5258017	4
	PLATE - Reverse drive	8 Cyl. Eng.		5258017	5
	PLATE - Reverse reaction	4 Cyl. Eng.		5258019	4
	PLATE - Reverse reaction	2250 Eng.		5258019	4
	PLATE - Reverse reaction	2850, 3300 Eng.		5258019	5
	PLATE - Reverse reaction	8 Cyl. Eng.		5258019	6
	PLATE - Reverse pressure	ALL		5258528	1
	PLATE - Reverse cushion	ALL		5258989	1
	SPACEP - 2nd clutch plate	4 Cyl. Eng.		5258283	1
	SPACER - 2nd clutch plate	2250 Eng.		5258283	1
	SPACER - 2nd clutch plate	2850, 3300 Eng.		5258284	1
	SPACER - 2nd clutch plate	3300 Eng.		5258285	1
	SPACER - 2nd clutch plate	8 Cyl. Eng.		2820681	1
4.164U SPRING – Clutch piston					
	SPRING - 2nd clutch return	ALL		5258124	22
	SPRING - 3rd clutch return	ALL		5258124	12
	SPRING - 3rd clutch cushion	4, 6 Cyl. Eng.		8958678	1
	SPRING - Reverse clutch return	ALL		5258124	24
4.165U SEAT – Clutch piston return spring					
	SEAT - 2nd clutch	ALL		5258038	1
	SEAT - 3rd clutch	ALL		5258039	1

CHASSIS

TORANA "LX" PARTS CATALOGUE

GROUP	DESCRIPTION	MODEL	SIDE	PART No.	QTY.
TRANSMISSION ASSEMBLY, AUTOMATIC, STEERING COLUMN SHIFT, CONSOLE SHIFT					
4.166U PISTON, SEAL – Clutch					
	PISTON ASSY. – 2nd clutch	ALL		5258109	1
	PISTON ASSY – 3rd clutch	4 Cyl. Eng.		9935540	1
	PISTON ASSY. – 3rd clutch	2250 Eng.		9935540	1
	PISTON ASSY – 3rd clutch	2850, 3300 Eng.		9935541	1
	PISTON ASSY. – 3rd clutch	8 Cyl. Eng.		5258323	1
	PISTON – Reverse clutch	4 Cyl. Eng.		5258001	1
	PISTON – Reverse clutch	2250 Eng.		5258001	1
	PISTON – Reverse clutch	2850, 3300 Eng.		5258002	1
	PISTON – Reverse clutch	8 Cyl. Eng.		5258289	1
	SEAL – 2nd clutch piston inner	ALL		5258043	1
	SEAL – 2nd clutch piston outer	ALL		5258041	1
	SEAL – 3rd clutch piston inner	ALL		5258543	1
	SEAL – 3rd clutch piston outer	ALL		5258042	1
	SEAL – Reverse clutch piston inner	ALL		5258005	1
	SEAL – Reverse clutch piston outer	ALL		5258004	1
4.177U CARRIER and COMPONENTS – Planet					
	GEAR SET PACKAGE	ALL	(⁷)	2822065	1
	CARRIER ASSY – Planet	ALL		2816419	1
	CARRIER & SHAFT ASSY. – Output	ALL		2816507	1
	GEAR ASSY. – Input sun	ALL		2816435	1
	GEAR & DRUM ASSY. – Reaction sun	ALL		2816438	1
	SLEEVE – Reaction sun drum bearing	ALL		5258158	1
	PINION PACKAGE – Long	ALL		2816441	1
	PINION PACKAGE – Short	ALL		2816442	1
	SHAFT – Long pinion	ALL		5258054	4
	SHAFT – Short pinion	ALL		5258055	4
	PLATE – Pinion shaft lock	ALL		5258545	1
	SCREW – Pinion shaft lock plate	ALL		5259609	4
	WASHER – Short pinion (Steel)	ALL		2816422	8
	WASHER – Short pinion (Bronze)	ALL		2816423	8
	WASHER – Long pinion (Steel)	ALL		5258065	8
	WASHER – Long pinion (Bronze)	ALL		5258066	8
	BEARING PACKAGE – Needle roller	ALL		M36815	1
	BEARING – Needle roller	ALL		8625657	260
	SPACER – Needle roller bearing	ALL		5258087	4
	WASHER – Input sun gear to carrier assy.	ALL		5258554	1
	WASHER – Input shaft to sun gear thrust	ALL		5258555	1
	BEARING – Sun gear to carrier assy.	ALL		5258553	1
	BEARING – Input shaft to sun gear thrust	ALL		5258553	1
	BEARING – Reaction sun gear, 2 $\frac{1}{16}$ " O.D.	ALL		1194560	2
4.187U GEAR – Transmission ring					
	GEAR	ALL		2816429	1
4.189U SEAT – Reverse clutch piston return spring					
	SEAT	ALL		5258021	1
4.195U PAN – Transmission oil					
	PAN ASSY.	ALL		9939353	1
	SCREW – Hex. hd. mach. $\frac{3}{16}$ " – 18 x $\frac{5}{16}$ "	ALL		3829139	12
	SCREW & GASKET ASSY – Drain	ALL		7423483	1
	GASKET – Drain screw	ALL		513975	1
4.196U GASKET – Transmission oil pan					
	GASKET	ALL		2822944	1

Note: (⁷) Gear set package consists of carrier assy., ring gear, reaction sun gear assy., input sun gear assy.

TORANA "LX" PARTS CATALOGUE

GROUP	DESCRIPTION	MODEL	SIDE	PART No.	QTY.
TRANSMISSION ASSEMBLY, AUTOMATIC, STEERING COLUMN SHIFT, CONSOLE SHIFT					
4.205U	PIPE, SLEEVE – Transmission vacuum modulator				
	PIPE	4 Cyl. Eng.		9931777	1
	PIPE	6 Cyl. Eng.		9931778	1
	PIPE	8 Cyl. Eng.		9931779	1
	SLEEVE - Mod. pipe	ALL		7420336	2
	CLIP - Mod. pipe to housing	4 Cyl. Eng.		731831	1
4.212U	COVER – Transmission servo				
	COVER	ALL		2814877	1
	BOLT - Cover to transmission case	ALL		179817	4
	GASKET - Cover	ALL		5258339	1
4.223U	GASKET – Oil pump suction screen				
	GASKET	ALL		2823667	1
4.224U	SCREEN – Transmission oil pump suction				
	SCREEN ASSY.	ALL		5258130	1
	<i>GASKET & SCREEN KIT</i>			<i>92007144</i>	
4.226U	PUMP – Oil and components				
	BUSHING - Body	ALL		9930035	1
	VALVE - Pressure regulator booster	4, 6 Cyl. Eng.		5258143	1
	VALVE - Pressure regulator booster	4.2 Litre Eng.		5258143	1
	VALVE - Pressure regulator booster	5 Litre Eng.		9929678	1
	VALVE - Priming	ALL		5258344	1
	SPRING - Priming valve	ALL		9940552	1
	VALVE - Pressure regulator	ALL		5258140	1
	SPRING - Pressure regulator valve	4 Cyl. Eng.		5258166	1
	SPRING - Pressure regulator valve	2250, 2850 Eng.		5258166	1
	SPRING - Pressure regulator valve	3300, 4.2 Litre Eng.		2810499	1
	SPRING - Pressure regulator valve	5 Litre Eng.		9929628	1
	PIN - Pressure regulator valve (Chamfer 1/8" x 1 1/16")	ALL		114468	1
	PLATE - Wear	ALL		5258850	1
	SEAL - Oil pump outer	ALL		5258119	1
	SEAT - Pressure regulator valve spring	ALL		5258219	2
	BODY & GEAR PACKAGE (Matched Set)	ALL		9929279	1
	SLEEVE - Pressure regulator booster valve	4, 6 Cyl. Eng.		5258161	1
	SLEEVE - Pressure regulator booster valve	4.2 Litre Eng.		5258161	1
	SLEEVE - Pressure regulator booster valve	5 Litre Eng.		9929677	1
	GASKET - Oil pump assy.	ALL		5258939	1
	BOLT - Flanged, hex. hd. 5/16" - 18 x 1 3/8"	ALL		9423842	5
	BALL - Oil pump	ALL		453570	3
4.228U	PISTON – Servo and accumulator				
	PISTON ASSY. - Servo	4, 6 Cyl. Eng.		5258569	1
	PISTON ASSY. - Servo	4.2 Litre Eng.		5258183	1
	PISTON - Servo	5 Litre Eng.		9929629	1
	PISTON - Accumulator	ALL		9938699	1
4.230U	ROD – Servo piston apply				
	ROD	ALL		9928795	1
4.233U	SPRING, RETAINER, PIN - Piston				
	SPRING - Servo piston return	2250, 2850 Eng.		5258572	1
	SPRING - Servo piston return	3300, 4.2 Litre Eng.		9938966	1
	SPRING - Servo piston return	5 Litre Eng.		5258892	1
	SPRING - Servo piston cushion	4, 6 Cyl. Eng.		5258566	1
	SPRING - Servo piston cushion	4.2 Litre Eng.		5258564	1
	SPRING - Servo piston cushion	5 Litre Eng.		9929676	1
	RETAINER - Servo piston	ALL		5258185	1
	BOLT - Servo piston adjusting	ALL		SP2388	1

CHASSIS

TORANA "LX" PARTS CATALOGUE

GROUP	DESCRIPTION	MODEL	SIDE	PART No.	QTY.
TRANSMISSION ASSEMBLY, AUTOMATIC, STEERING COLUMN SHIFT, CONSOLE SHIFT					
4.233U SPRING, RETAINER, PIN - Piston (contd.)					
	NUT - Servo piston adjusting	ALL		114494	1
	PIN - Accumulator piston	ALL		5259666	1
	SPRING - Accumulator piston	ALL		5258563	1
4.251U BAND - Transmission reaction					
	BAND ASSY.	ALL		5463805	1
	PIN - Band	ALL		5258190	2
4.256U GOVERNOR and COMPONENTS					
	GOVERNOR ASSY.	4 Cyl. Eng.		2820229	1
	GOVERNOR ASSY.	6, 8 Cyl. Eng.		2820230	1
	BODY - Governor valve	ALL		2820857	1
	SCREW & LOCK WASHER ASSY. - Hex. hd. mach. 1/4" - 20 x 3/4"	ALL		3805921	2
	GASKET - Governor	ALL		2818038	1
	VALVE - Primary	4 Cyl. Eng.		2820231	1
	VALVE - Primary	6, 8 Cyl. Eng.		2820232	1
	VALVE - Secondary	4 Cyl. Eng.		5258809	1
	VALVE - Secondary	6, 8 Cyl. Eng.		5258329	1
	SPRING - Secondary valve	ALL		5258547	1
	RETAINER - Secondary valve spring	ALL		5258342	1
	SCREEN ASSY. - Governor valve	ALL		5258383	1
4.265U BODY - Valve and components					
	BODY ASSY.	4 Cyl. Eng.		9941059	1
	BODY ASSY.	2250 Eng.		2818112	1
	BODY ASSY.	2850 Eng.		9941057	1
	BODY ASSY.	3300 Eng.		9941058	1
	BODY ASSY.	4.2 Litre Eng.		9937778	1
	BODY ASSY.	5 Litre Eng.		9929685	1
	BODY	ALL		9929709	1
	BOLT - Body to case	ALL		179826	11
	PLATE - Transfer	4 Cyl. Eng.		9935517	1
	PLATE - Transfer	6 Cyl. Eng.		9940418	1
	PLATE - Transfer	4.2 Litre Eng.		9937531	1
	PLATE - Transfer	5 Litre Eng.		9929686	1
	BOLT - Plate to valve body	ALL		SP2632	2
	BALL - Valve body pressure seal	ALL		147481	7
	BALL - 2nd clutch quick dump	ALL		453571	1
	BALL - Pressure regulator booster valve	ALL		453571	1
	GASKET - Transfer plate to valve body	ALL		5258443	1
	GASKET - Transfer plate to case	ALL		2825184	1
	REINFORCEMENT - Transfer plate	ALL		2817632	1
	BOLT - Reinforcement to transmission case	ALL		179817	6
	SOLENOID & CONNECTOR ASSY - Detent	ALL		2817633	1
	"O" RING - Solenoid	ALL		VS12096	1
	GASKET - Solenoid	ALL		2817634	1
	BOLT - Solenoid assy. to case	ALL		179819	2
	MODULATOR ASSY - Vacuum	ALL		5258181	1
	PLUNGER - Vacuum modulator	ALL		5258244	1
	GASKET - Vacuum modulator	ALL		5258240	1
	VALVE - Vacuum modulator	4 Cyl. Eng.		5258179	1
	VALVE - Vacuum modulator	2250, 2850 Eng.		5258179	1
	VALVE - Vacuum modulator	3300 Eng.		2820777	1
	VALVE - Vacuum modulator	8 Cyl. Eng.		2820777	1
	SLEEVE - Vacuum modulator valve	4 Cyl. Eng.		5258180	1
	SLEEVE - Vacuum modulator valve	2250, 2850 Eng.		5258180	1
	SLEEVE - Vacuum modulator valve	3300 Eng.		2820778	1
	SLEEVE - Vacuum modulator valve	8 Cyl. Eng.		2820778	1
	SEAL - Vacuum modulator valve	ALL		5258338	1

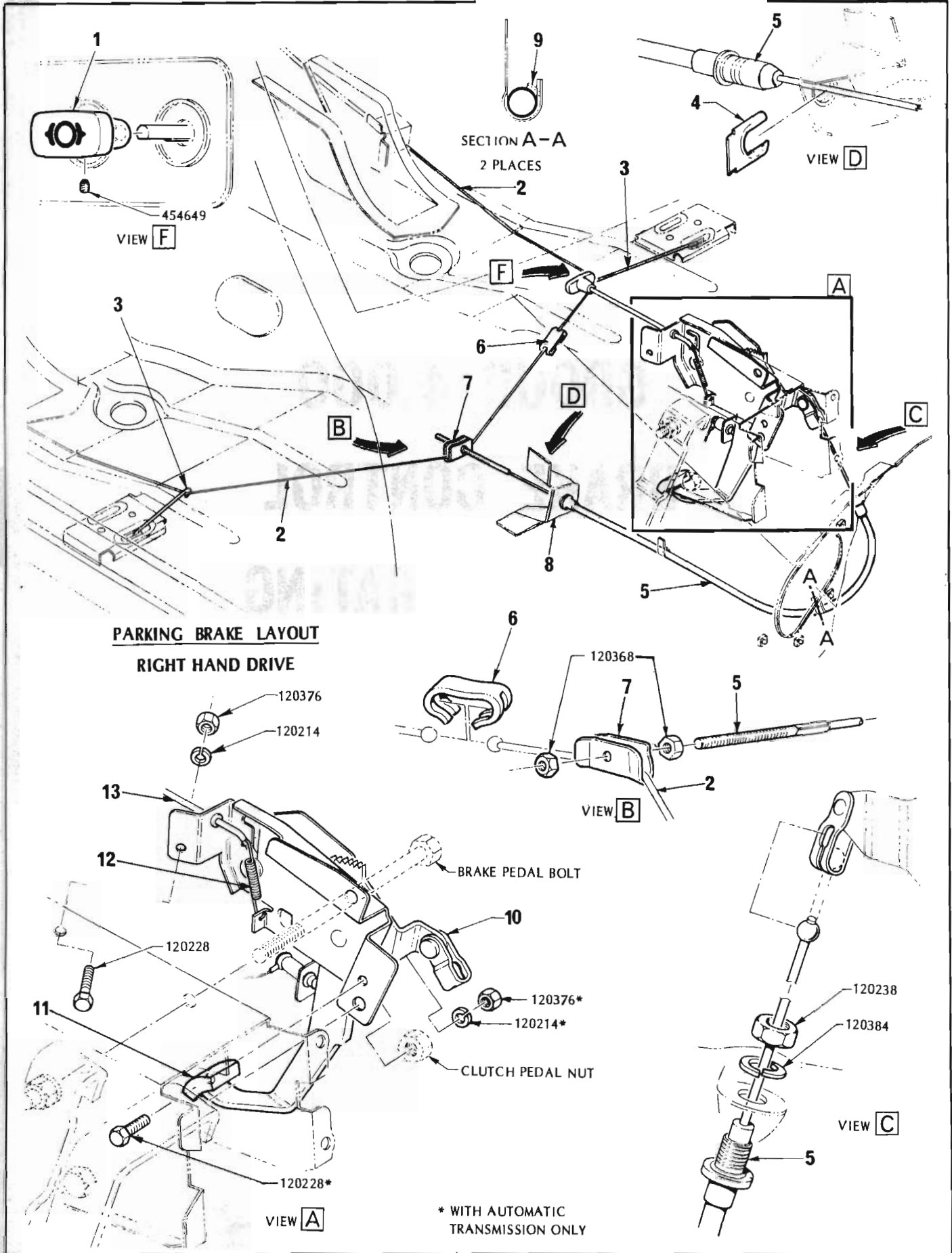
TORANA "LX" PARTS CATALOGUE

GROUP	DESCRIPTION	MODEL	SIDE	PART No.	QTY.
TRANSMISSION ASSEMBLY, AUTOMATIC, STEERING COLUMN SHIFT, CONSOLE SHIFT					
4.265U BODY – Valve and components (contd.)					
	VALVE – Manual	ALL		5258145	1
	VALVE – 1st and 2nd shift	ALL		5258160	1
	VALVE – 2nd and 3rd shift	ALL		5258193	1
	VALVE – 1st and 2nd shift control	ALL		2814293	1
	VALVE – 2nd and 3rd shift control	4 Cyl. Eng.		5258215	1
	VALVE – 2nd and 3rd shift control	6, 8 Cyl. Eng.		9932546	1
	VALVE – Low speed down shift timing	ALL		5258340	1
	VALVE – High speed down shift timing	ALL		5258340	1
	VALVE – 3rd to 2nd control	ALL		5258340	1
	VALVE – Manual low control	ALL		5258213	1
	VALVE – 1st & 2nd accumulator	ALL		2814288	1
	VALVE – 1st & 2nd accumulator control	ALL		5258807	1
	VALVE – Detent pressure regulator	ALL		5258600	1
	VALVE – Reverse control	ALL		5258212	1
	PIN – Detent valve retaining	ALL		2825091	1
	PIN – Valve retaining	ALL		2820110	8
	SPRING – 1st & 2nd shift control valve, Light Green or Black	4 Cyl. Eng.		2811014	1
	SPRING – 1st & 2nd shift control valve, Violet	6, 8 Cyl. Eng.		2814312	1
	SPRING – 1st & 2nd shift control valve return	ALL		2814295	1
	SPRING – 2nd & 3rd shift control valve, White	ALL		5258578	1
	SPRING – Low speed down shift timing valve, Orange	ALL		2817224	1
	SPRING – High speed down shift timing valve, Grey or White	4 Cyl. Eng.		5258580	1
	SPRING – High speed down shift timing valve, Purple	6, 8 Cyl. Eng.		2816882	1
	SPRING – 3rd to 2nd control valve, red	4 Cyl. Eng.		5258584	1
	SPRING – 3rd to 2nd control valve, Orange	2250 Eng.		2817224	1
	SPRING – 3rd to 2nd control valve, Red	2850 Eng.		5258584	1
	SPRING – 3rd to 2nd control valve, Purple	3300 Eng.		2816882	1
	SPRING – 3rd to 2nd control valve, Violet	4.2 Litre Eng.		2817225	1
	SPRING – 3rd to 2nd control valve, Dark Green	5 Litre Eng.		9929681	1
	SPRING – Manual low & reverse control valve, Brown	ALL		5258547	1
	SPRING – 1st & 2nd accumulator valve, Yellow	4, 6 Cyl. Eng.		2810537	1
	SPRING – 1st & 2nd accumulator valve, Light Green	4.2 Litre Eng.		2820868	1
	SPRING – 1st & 2nd accumulator valve, Violet	5 Litre Eng.		2810538	1
	SPRING – Detent pressure regulator valve, Pink	ALL		5258582	1
	SLEEVE – 1st & 2nd shift control valve	ALL		2814294	1
	SLEEVE – 2nd & 3rd shift control valve	4 Cyl. Eng.		5258195	1
	SLEEVE – 2nd & 3rd shift control valve	6, 8 Cyl. Eng.		9932545	1
	SEAT – 2nd & 3rd shift control valve spring	ALL		5258509	1
	SEAT – Detent pressure regulator valve spring	ALL		5258805	1
	LINK – Manual valve lever	ALL		5258243	1
	PLUG – Low speed down shift timing valve	ALL		5258216	1
	PLUG – 3rd to 2nd control valve	ALL		5258216	1
	PLUG – 1st & 2nd accumulator valve	ALL		5258333	1
	PLUG – Accumulator piston access hole	ALL		453570	1
4.279U VALVE, SPRING, SLEEVE, ROLLER – Detent					
	VALVE	ALL		2824303	1
	SPRING – Valve	ALL		9929681	1
	SLEEVE – Valve	ALL		2817627	1
	SEAL – Valve sleeve oil	ALL		5258338	1
	ROLLER & SPRING ASSY	ALL		5258253	1
	LEVER – Park lock & range selector, inner	ALL		9941442	1
	NUT – Lever attaching	ALL		(145027)	1
	PIN – Park lock & range retainer	ALL		2825091	1
4.282U SEAL – Park lock and range selector shaft oil					
	SEAL	ALL		8623056	1

GROUP	DESCRIPTION	MODEL	SIDE	PART No.	QTY.
TRANSMISSION ASSEMBLY, AUTOMATIC, STEERING COLUMN SHIFT, CONSOLE SHIFT					
4.294U	ACTUATOR, RING, SLEEVE, SHAFT – Parking brake lock				
	ACTUATOR ASSY	ALL		9941443	1
	SLEEVE - Actuator	ALL		5258082	1
	PAWL	ALL		5258062	1
	SHAFT - Pawl	ALL		9942172	1
	SHAFT - Park lock and range selector		RIGHT HAND DRIVE	5258286	1
			LEFT HAND DRIVE	5258241	1
4.295U	SPRING – Parking brake lock pawl disengaging				
	SPRING	ALL		5258076	1
4.317U	HOUSING – Transmission rear bearing				
	HOUSING - Rear bearing	4 Cyl. Eng.		9937806	1
	HOUSING - Rear bearing	6, 8 Cyl. Eng.		5258484	1
	BUSHING - Housing	ALL		3717682	1
	SEAL - Housing	ALL		3932255	1
	BOLT - Housing to trans. case	ALL		100136	7
4.318U	GASKET – Transmission rear bearing housing				
	GASKET	ALL		5258199	1
4.337U	GEAR – Speedometer driven and drive				
	GEAR - Driven - 23 teeth - Red	4 Cyl. Eng. 3.36:1 A.R.		7430971	1
	GEAR - Driven - 24 teeth - Yellow	6 Cyl. Eng. 3.55:1 A.R.		7430972	1
	GEAR - Driven - 25 teeth - Light blue	6 Cyl. Eng. 3.55:1 A.R.		7448810	1
	GEAR - Driven - 19 teeth - Pink	6 Cyl. Eng. 2.78:1 A.R.		7430967	1
	GEAR - Driven - 23 teeth - Red	6 Cyl. Eng. 3.36:1 A.R.		7430971	1
	GEAR - Driven - 21 teeth - Green	8 Cyl. Eng. 2.78:1 A.R.		7430969	1
	GEAR - Driven - 22 teeth - Dark blue	8 Cyl. Eng. 2.78:1 A.R.		7430970	1
	GEAR - Drive	4, 6 Cyl. Eng.		5258493	1
	GEAR - Drive	8 Cyl. Eng.		5258494	1
	CLIP - Drive gear	ALL		1373122	1
4.338U	"O" RING – Speedometer driven gear				
	"O" RING	ALL		7430921	1
4.342U	CABLE and CASTING, GROMMET, RETAINER – Speedometer				
	CABLE & CASING	4 Cyl. Eng.		9930087	1
	CABLE & CASING	6, 8 Cyl. Eng.	RIGHT HAND DRIVE	2824560	1
			LEFT HAND DRIVE	9930480	1
	CABLE KIT	4 Cyl. Eng.		VS12418	1
	CABLE KIT	6, 8 Cyl. Eng.	RIGHT HAND DRIVE	VS12415	1
			LEFT HAND DRIVE	VS12419	1
	CLIP - Pipe & cable to side member	ALL		SP1885	1
	CLIP - Cable to floor pan		RIGHT HAND DRIVE	7434452	1
	RETAINER - Speedo drive end	ALL		7430917	1
	SEAL - Cable	ALL		7434266	1
	RETAINER - Seal	ALL		2817874	1
	BOLT & WASHER - Retainer to extension	ALL		SP2047	1
	NUT - Retainer to extension	ALL		120375	1

NOTES

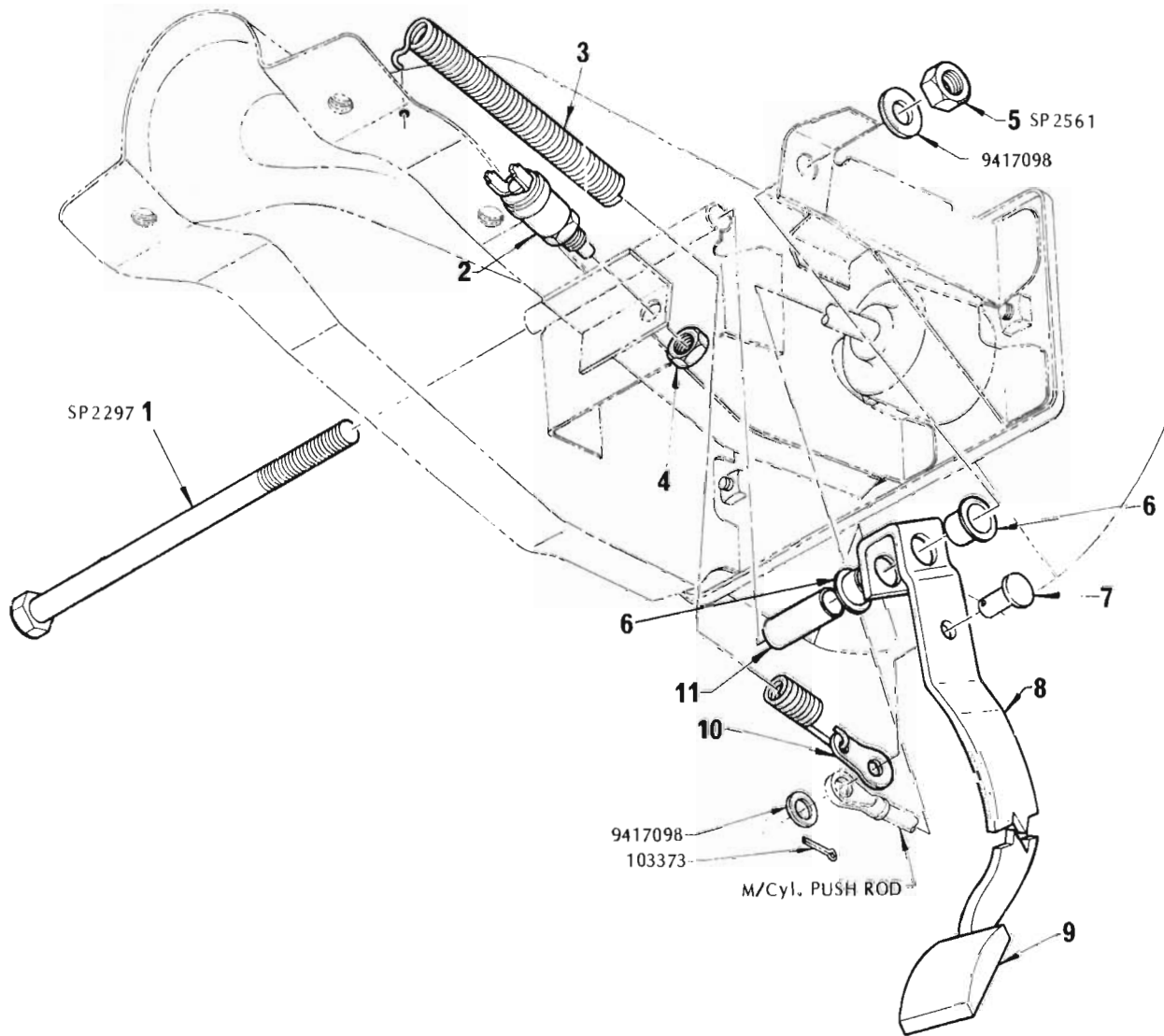
GROUP 4.000
BRAKE CONTROL
BRAKE OPERATING



PARKING BRAKE

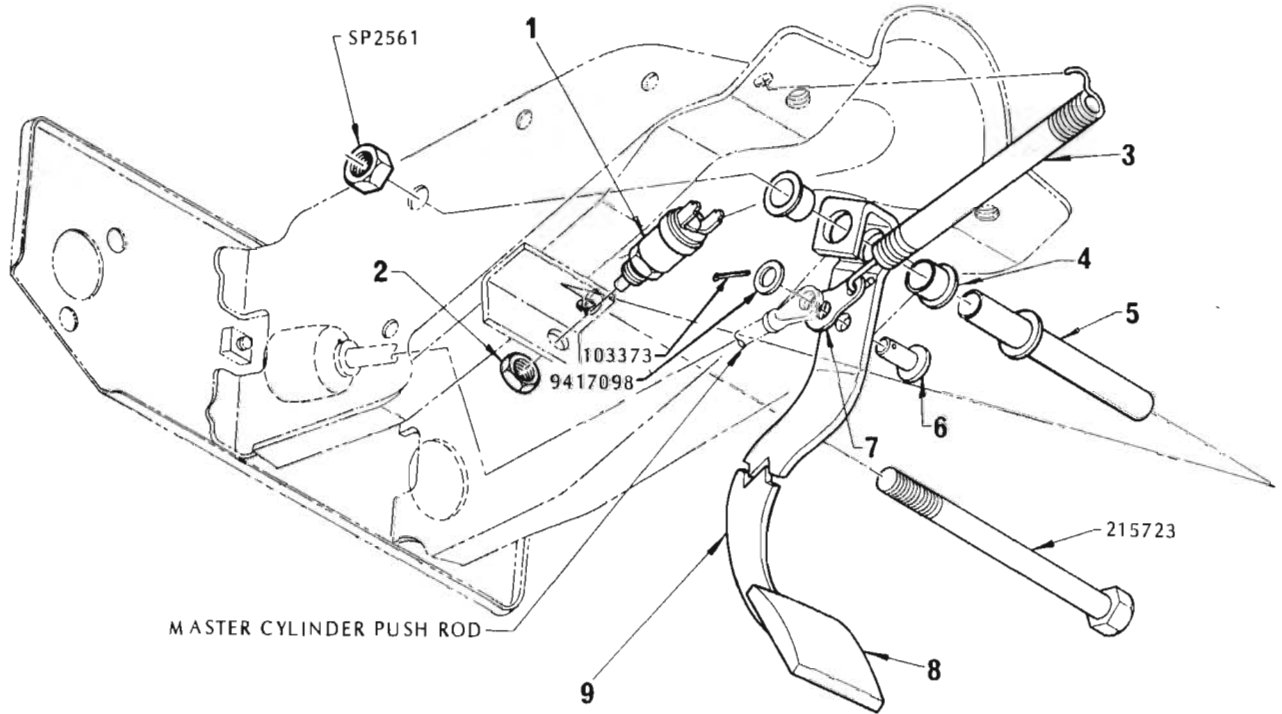
ILLUSTRATION OPPOSITE

ILLUS. REF. NO.	PART NAME	GROUP
1.	KNOB – Brake release rod	4.592
2.	CABLE ASSY. – Rear	4.826
3.	GUIDE – Rear cable	4.829
4.	SPRING – Yoke	4.826
5.	CABLE ASSEMBLY – Front	4.826
6.	CONNECTOR – Rear cable	4.830
7.	EQUALISER – Rear cable	4.764
8.	BRACKET – Front cable	4.829
9.	CLIP – Front cable to floor	4.826
10.	PEDAL ASSEMBLY – Brake	4.591
11.	TRIM – Brake pedal pad	4.591
12.	SPRING – Brake pedal release rod	4.606
13.	ROD – Brake pedal release	4.594



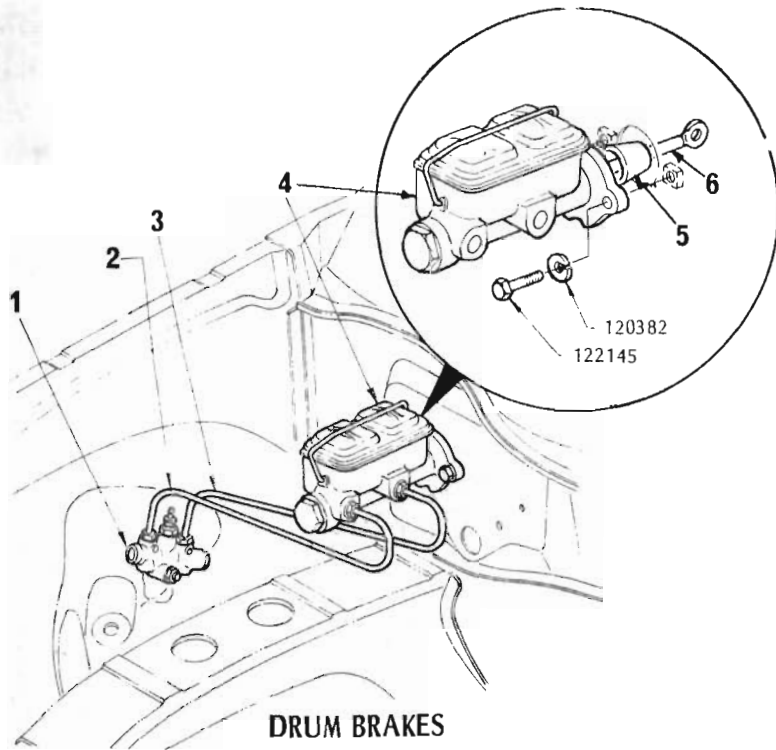
BRAKE PEDAL
Right Hand Drive

ILLUS. REF. NO.	PART NAME	GROUP	ILLUS. REF. NO.	PART NAME	GROUP
1.	BOLT — Brake pedal pivot	4.636	7.	PIN — Push rod to brake pedal	4.662
2.	SWITCH ASSY. — Stop light	2.447	8.	PEDAL ASSY. — Brake	4.625
3.	SPRING — Brake pedal return	4.639	9.	PAD — Brake pedal	4.625
4.	NUT — Stop light switch attaching	2.447	10.	EXTENSION — Pedal return spring to push rod ..	4.639
5.	NUT — Pivot bolt	4.636	11.	SPACER — Brake pedal pivot	4.626
6.	BUSHING — Brake pedal pivot bolt	4.626			

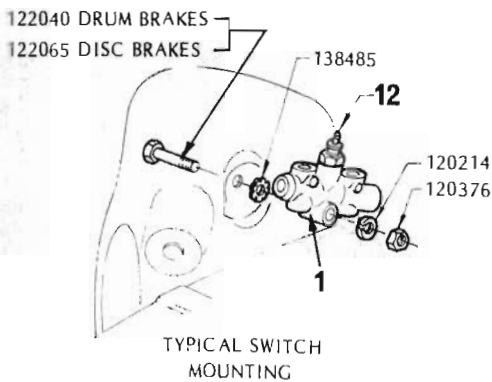


BRAKE PEDAL
LEFT HAND DRIVE

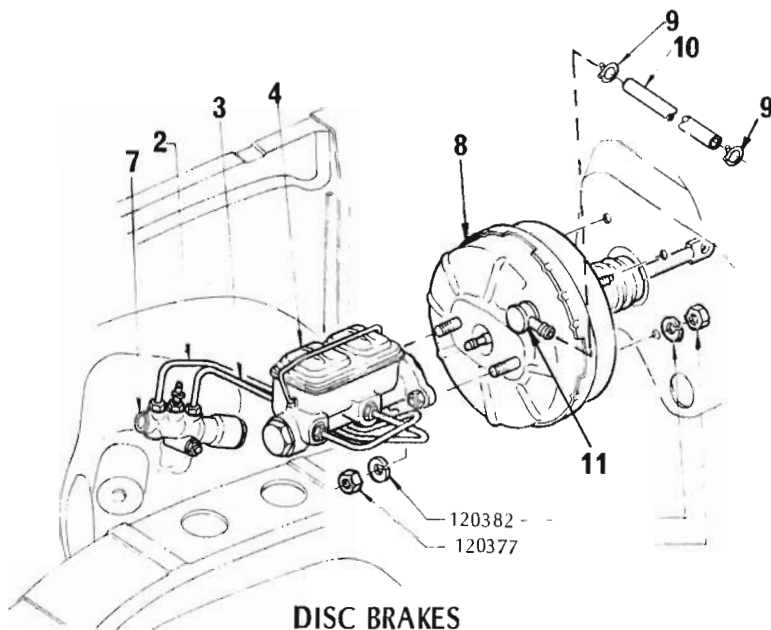
ILLUS. REF. NO.	PART NAME	GROUP
1.	SWITCH ASSY. - Stop light	2.447
2.	NUT - Stop light switch attaching	2.447
3.	SPRING - Brake pedal return	4.639
4.	BUSHING - Brake pedal pivot bolt	4.626
5.	SPACER - Brake pedal pivot	4.626
6.	PIN - Push rod to brake pedal	4.662
7.	EXTENSION - Pedal return spring to push rod	4.639
8.	PAD - Brake pedal	4.625
9.	PEDAL ASSY. - Brake	4.625



DRUM BRAKES



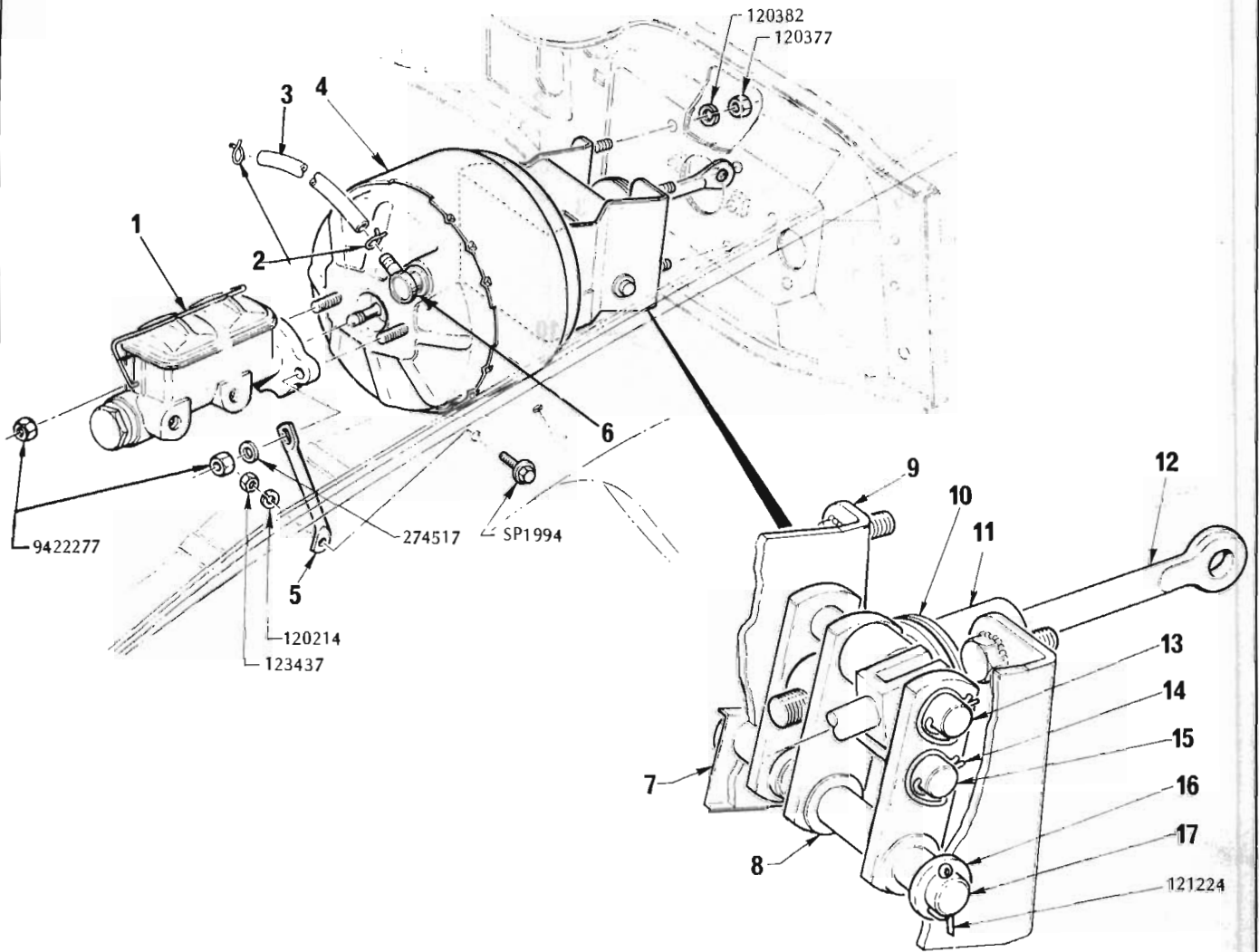
TYPICAL SWITCH MOUNTING



DISC BRAKES

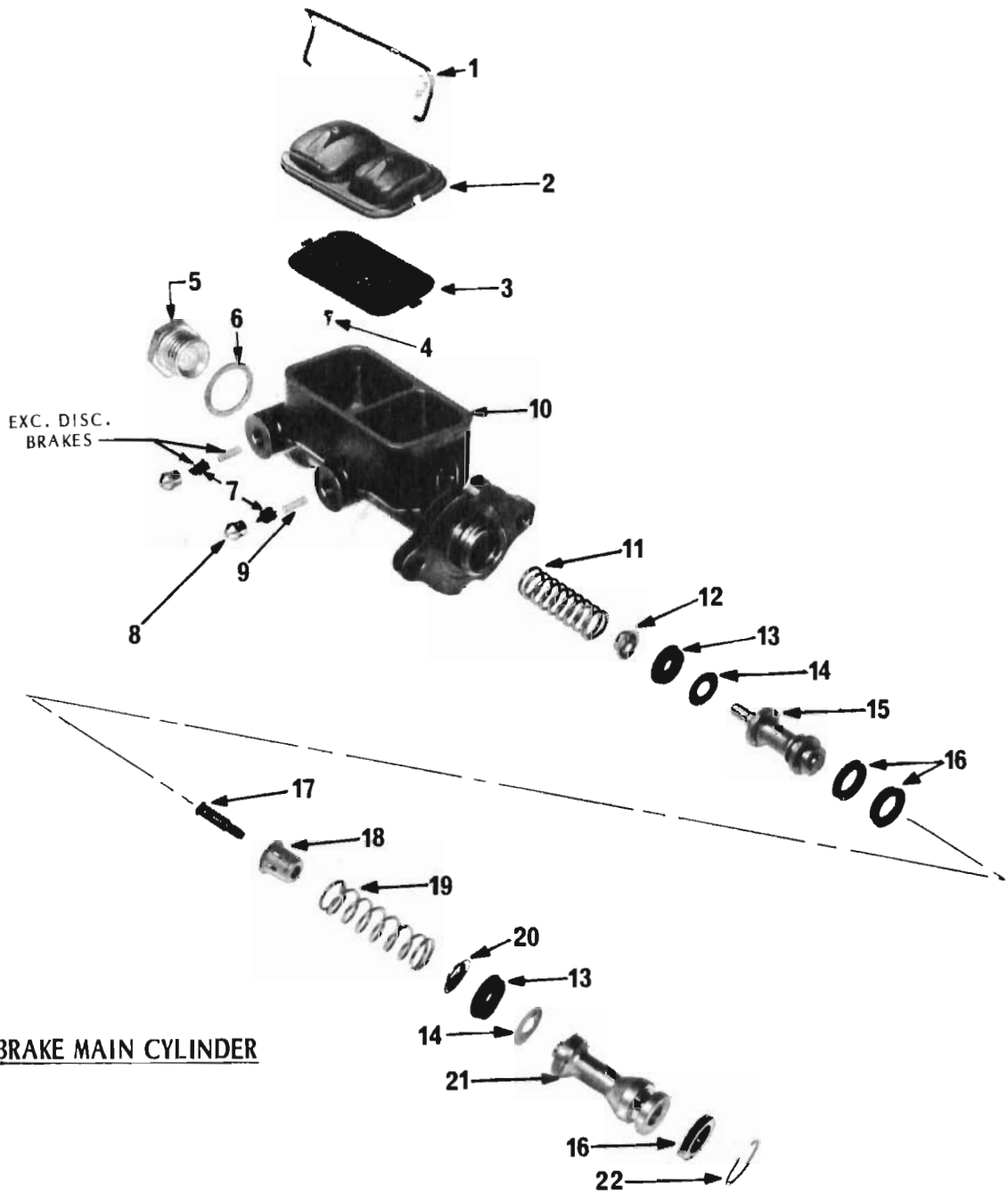
**BRAKE MAIN CYLINDER, PRESSURE SWITCH and BOOSTER MOUNTING
Right Hand Drive**

ILLUS. REF. NO.	PART NAME	GROUP	ILLUS. REF. NO.	PART NAME	GROUP
1.	CONNECTOR & SWITCH ASSY. - Brake warning	4.686	7.	VALVE ASSY. - Pressure Warning Switch & protortioning	4.686
2.	PIPE ASSY. - Main cylinder to switch - front	4.685	8.	BOOSTER ASSY.	4.902
3.	PIPE ASSY. - Main cylinder to switch - rear	4.685	9.	CLAMP - Hose	4.931
4.	CYLINDER ASSY. - Brake main	4.650	10.	HOSE - Servo to manifold	4.931
5.	BOOT - Main cylinder push rod	4.659	11.	VALVE ASSY. - Check	4.904
6.	ROD - Main cylinder push	4.658	12.	SWITCH ASSY. - Pressure warning	4.686

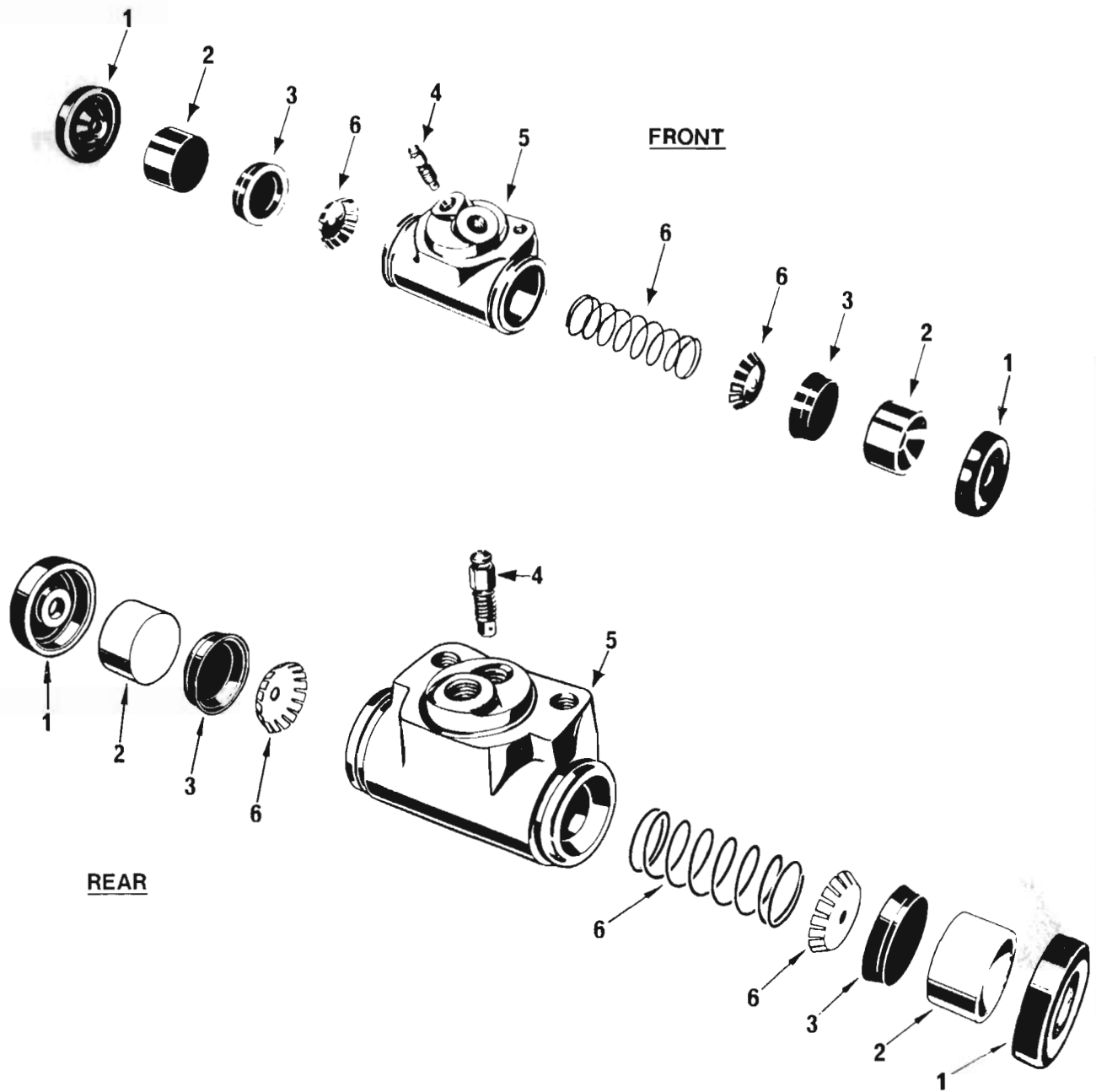


BRAKE MAIN CYLINDER AND BOOSTER MOUNTING
6 & 8 Cylinder Engine Disc Brakes
Left Hand Drive

ILLUS. REF. NO.	PART NAME	GROUP	ILLUS. REF. NO.	PART NAME	GROUP
1.	CYLINDER ASSY. — Brake main	4.650	10.	LEVER — Relay	4.628
2.	CLAMP — Hose	4.931	11.	BOOT — Push rod	4.659
3.	HOSE — Servo to manifold	4.931	12.	ROD — Push	4.658
4.	BOOSTER ASSY.	4.902	13.	PIN — Relay lever to push rod	4.662
5.	SUPPORT — Booster	4.901	14.	RETAINER — Push rod pin to lever	4.658
6.	VALVE ASSY. — Check	4.904	15.	TRUNNION — Push rod	4.662
7.	PLATE — Shaft lock	4.628	16.	WASHER — Relay lever	4.628
8.	BUSHING — Relay lever	4.628	17.	SHAFT — Relay	4.628
9.	BRACKET ASSY. — Booster mounting	4.901			



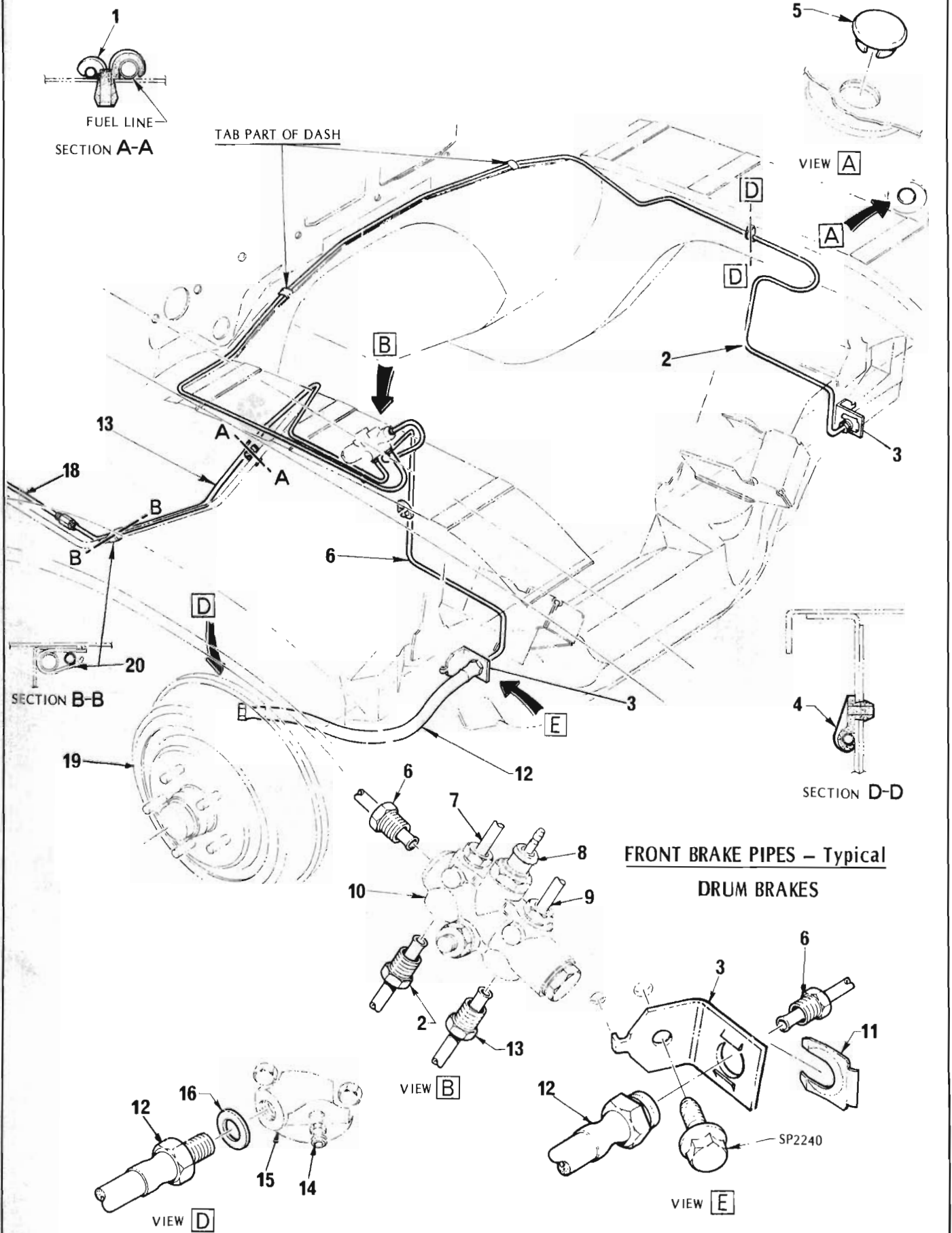
ILLUS. REF. NO.	PART NAME	GROUP	ILLUS. REF. NO.	PART NAME	GROUP
1.	BAIL - Cover retaining	4.651	13.	SEAL	4.654
2.	COVER - Reservoir	4.651	14.	PROTECTOR	4.654
3.	DIAPHRAGM - Cover	4.651	15.	PISTON - Secondary	4.653
4.	SCREW - Secondary piston stop	4.653	16.	SEAL	4.654
5.	PLUG	4.652	17.	SCREW - Primary piston extension	4.656
6.	WASHER - Plug	4.652	18.	STOP - Primary piston	4.653
7.	VALVE - Check	4.657	19.	SPRING - Primary piston	4.655
8.	INSERT - Tube fitting	4.652	20.	RETAINER - Primary piston spring	4.655
9.	SPRING - Valve	4.657	21.	PISTON - Primary	4.653
10.	BODY	4.650	22.	RING - Lock	4.656
11. } 12. }	SPRING & RETAINER - Secondary	4.655			



WHEEL CYLINDERS

ILLUS. REF. NO	PART NAME	GROUP
1.(A)	BOOT - Wheel cylinder	4.670
2.	PISTON - Wheel cylinder	4.668
3.(A)	CUP - Wheel cylinder	4.667
4.	VALVE - Bleeder	4.666
5.	BODY - Wheel cylinder	4.665
6.	SPRING - Wheel cylinder	4.669

NOTE: (A) PARTS ARE INCLUDED IN REPAIR KIR - REFER GROUP 4.665



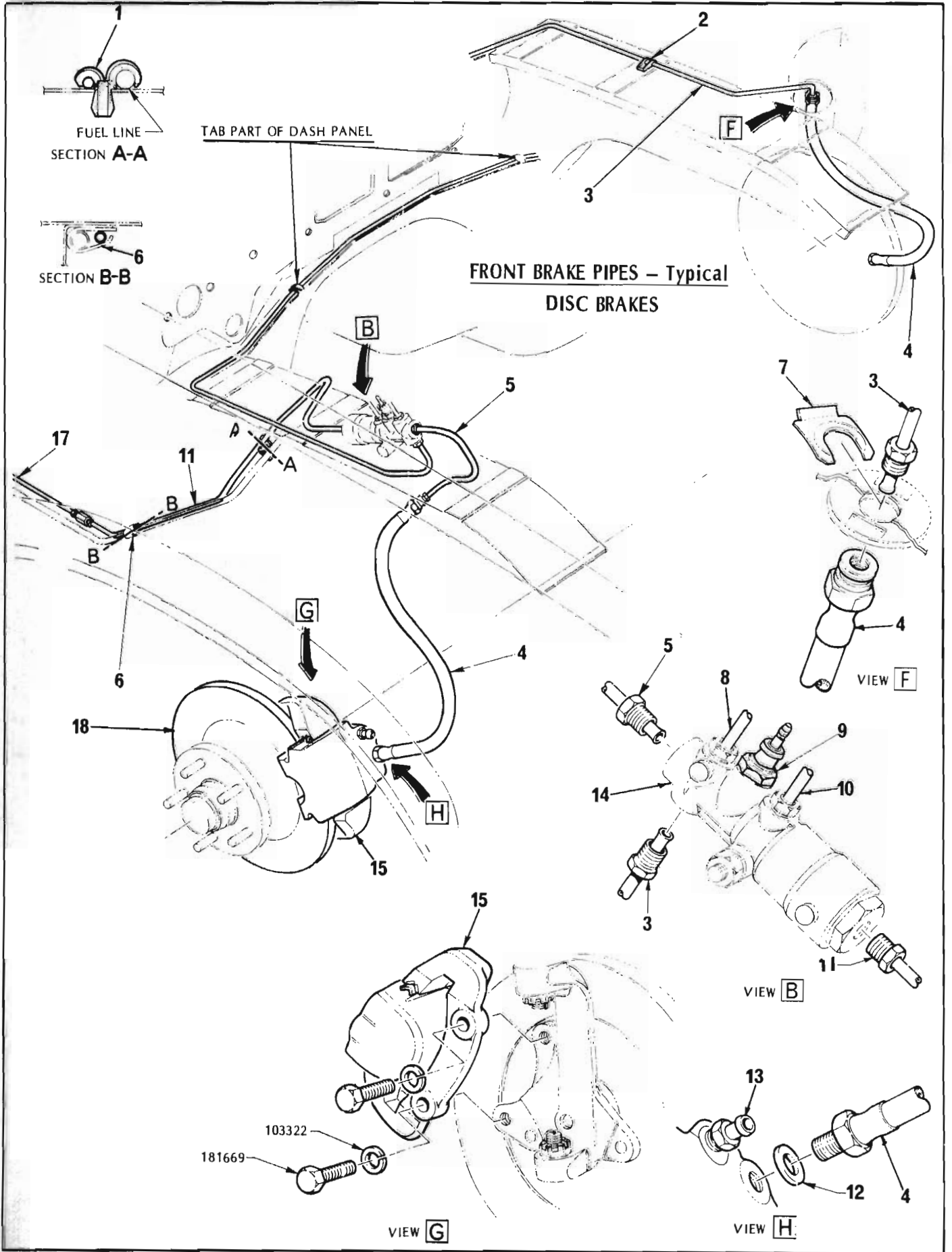


FRONT BRAKE PIPES

Drum Brakes

ILLUSTRATION OPPOSITE

ILLUS. REF. NO.	PART NAME	GROUP
1.	CLIP – Fuel & brake pipes to side frame member	3.202
2.	PIPE ASSEMBLY – Switch to left front brake	4.685
3.	BRACKET – Front brake hose	4.681
4.	CLIP – Pipe to engine side rail	4.685
5.	PLUG – Brake pipe thru skirt	8.153
6.	PIPE ASSEMBLY – Switch to right front brake	4.685
7.	PIPE ASSEMBLY – Main cylinder to switch – front	4.685
8.	SWITCH ASSEMBLY – Pressure warning	4.686
9.	PIPE ASSEMBLY – Main cylinder to switch – rear	4.685
10.	CONNECTOR & SWITCH ASSEMBLY – Pressure warning	4.686
11.	SPRING – Yoke	4.681
12.	HOSE – Front brake	4.680
13/18.	PIPE ASSEMBLY – Switch to hose	4.685
14.	VALVE – Front brake bleeder	4.666
15.	CYLINDER ASSEMBLY – Front wheel brake	4.665
16.	WASHER – Front hose to wheel cylinder	4.680
19.	DRUM ASSEMBLY – Brake	5.809
20.	CLIP – Fuel & brake pipes to engine side rail	3.202



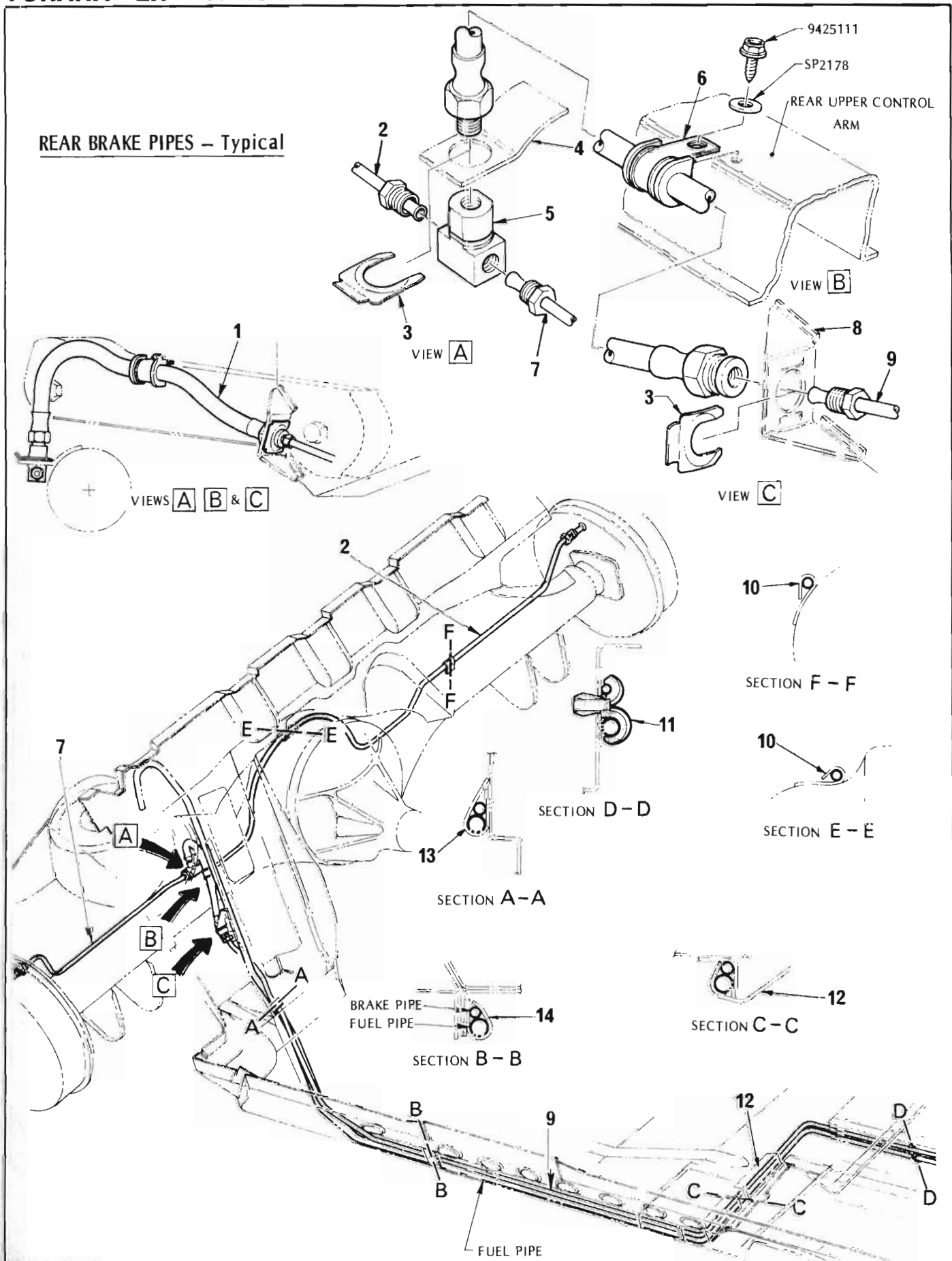
FRONT BRAKE PIPES

Disc Brakes

ILLUSTRATION OPPOSITE

ILLUS. REF. NO.	PART NAME	GROUP
1.	CLIP – Fuel & brake pipes to side frame member	3.202
2.	CLIP – Pipe to engine side rail	4.685
3.	PIPE ASSEMBLY – Switch to left front brake	4.685
4.	HOSE – Front brake	4.680
5.	PIPE ASSEMBLY – Switch to right front brake	4.685
6.	CLIP – Fuel & brake pipes to engine side rail	3.202
7.	SPRING – Yoke	4.681
8.	PIPE ASSEMBLY – Main cylinder to switch – front	4.685
9.	SWITCH ASSEMBLY – Pressure warning	4.686
10.	PIPE ASSEMBLY – Main cylinder to switch – rear	4.685
11/17.	PIPE ASSEMBLY – Switch to hose	4.685
12.	WASHER – Front brake to caliper	4.680
13.	VALVE – Front brake bleeder	4.666
14.	VALVE ASSEMBLY – Pressure warning switch	4.686
15.	CALIPER ASSEMBLY – Disc brakes	4.665
18.	HUB & DISC ASSEMBLY	6.307

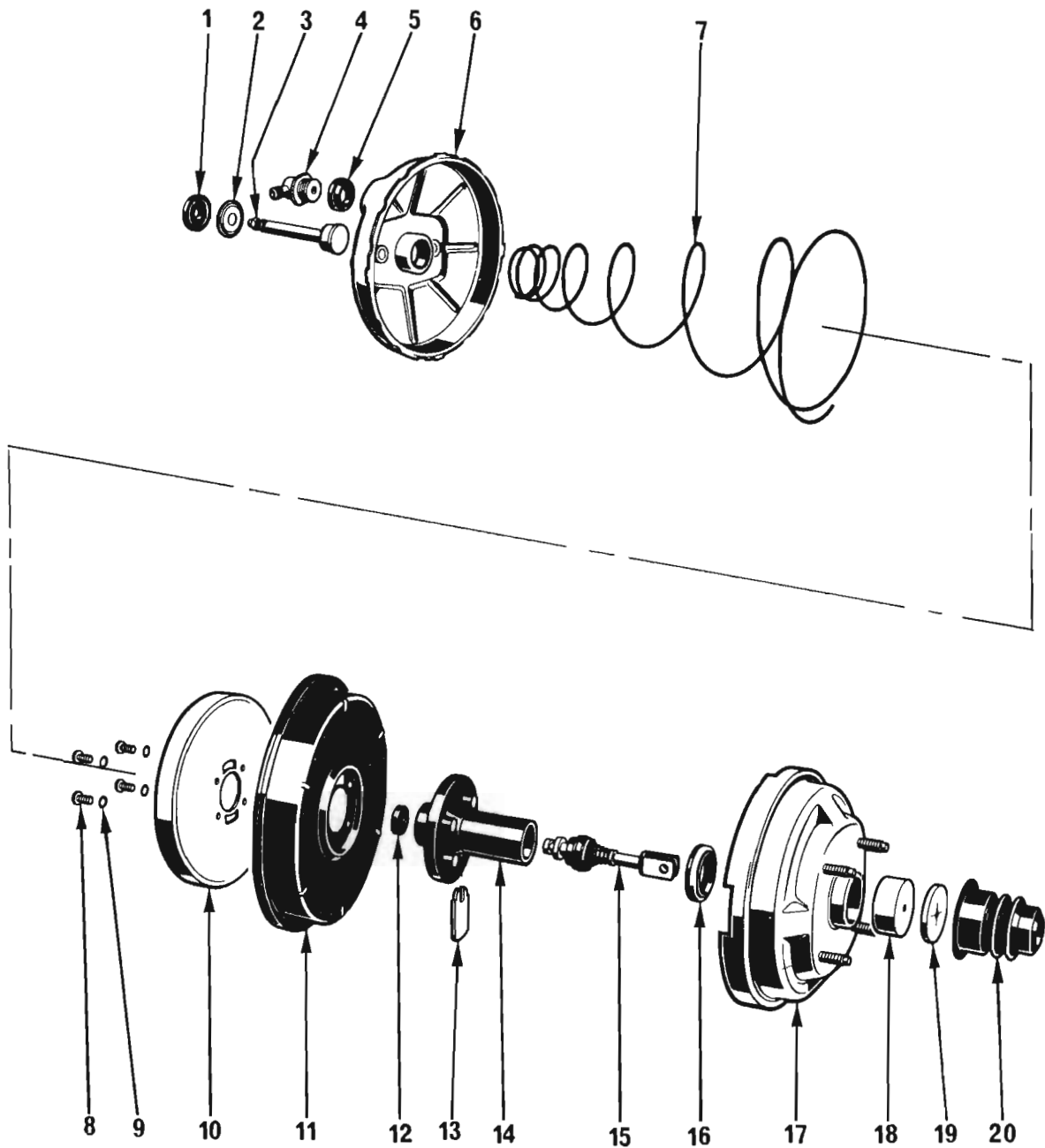
REAR BRAKE PIPES – Typical



REAR BRAKE PIPES

ILLUSTRATION OPPOSITE

ILLUS. REF. NO.	PART NAME	GROUP
1.	HOSE – Rear brake	4.680
2.	PIPE ASSEMBLY – Connector to right rear brake	4.685
3.	SPRING – Yoke	4.681
4.	BRACKET – Rear hose connector mounting	4.681
5.	CONNECTOR – Rear brake pipe lee	4.686
6.	CLIP – Rear hose to underbody	4.681
7.	PIPE ASSEMBLY – Connector to left rear brake	4.685
8.	BRACKET – Rear hose to underbody	4.681
9.	PIPE ASSEMBLY – Switch to hose	4.685
10.	CLIP – Pipe to rear axle	4.685
11.	CLIP – Fuel & brake pipes to engine side rail	3.202
12.	PROTECTOR – Brake & fuel pipes	4.685
13.	CLIP – Fuel & brake pipes to underbody	3.202
14.	CLIP – Fuel & brake pipes to underbody side member	3.202

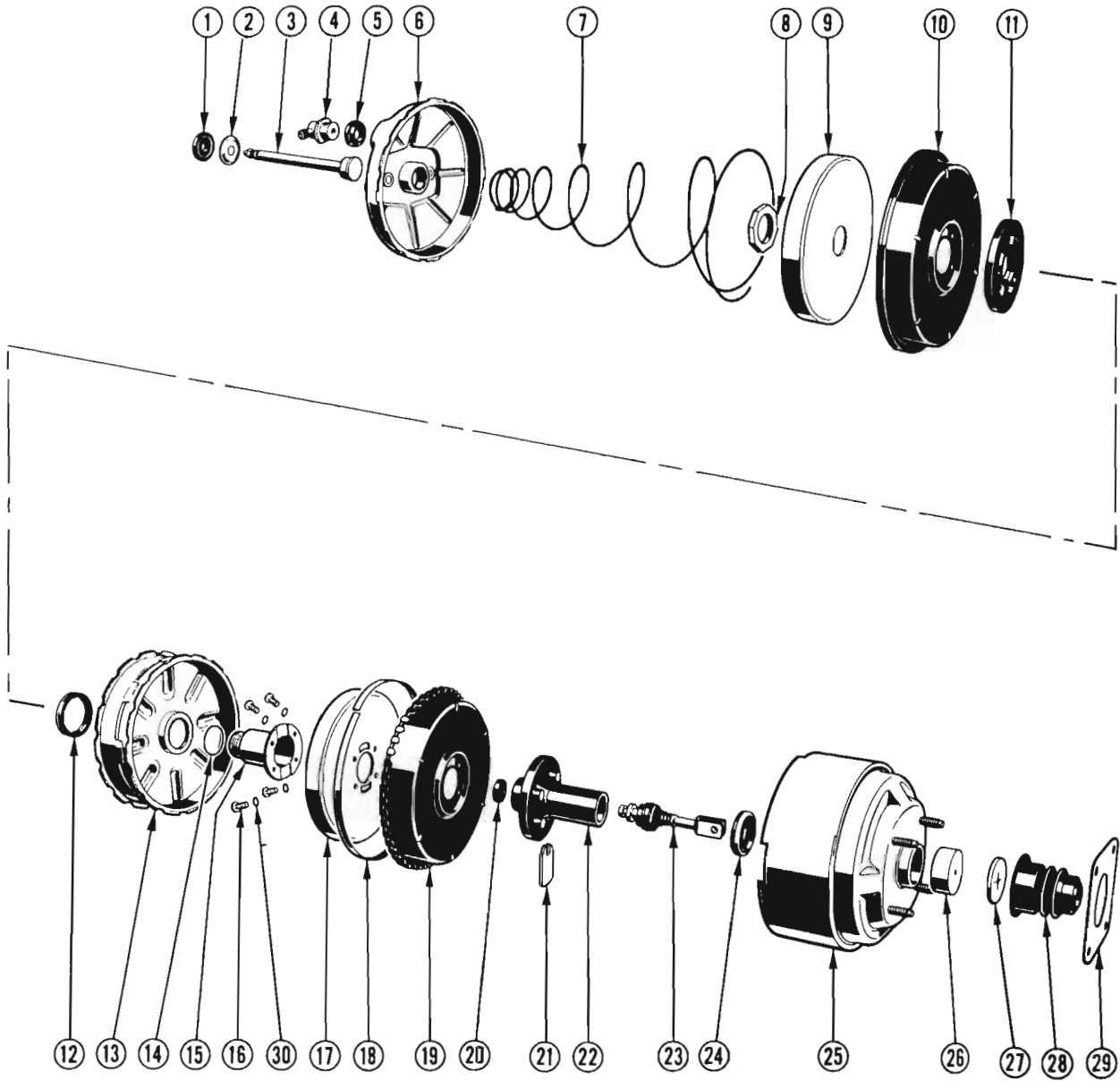


BRAKE BOOSTER — P.B.R.
4 & 6 CYLINDER ENGINE

ILLUSTRATION OPPOSITE

ILLUS. REF. NO.	PART NAME	GROUP
1 — 20	BOOSTER — Brake vacuum servo	4.902
1.(A)	SEAL — Main cylinder push rod	4.907
2.	PLATE — Push rod seal support	4.907
3.	ROD — Main cylinder push	4.907
4.(A)	VALVE — Check	4.904
5.(A)	GROMMET — Check valve	4.904
6.	SHELL & STUDS — Front	N. S. S.
7.	SPRING — Return	4.908
8.	SCREW	N. S. S.
9.	WASHER	N. S. S.
10.	PLATE — Pressure	4.906
11.	DIAPHRAGM	4.908
12.(A)	DISC — Reaction	4.907
13.	KEY — Locking	4.907
14.	VALVE BODY	N. S. S.
15.(A)	PLUNGER ASSY. — Valve rod	N. S. S.
16.(A)	SEAL — Rear shell	4.908
17.	SHELL & STUDS — Rear	N. S. S.
18.(A)	FILTER — Air cleaner	4.903
19.(A)	WASHER — Plunger felt	4.907
20.(A)	BOOT — Plunger	4.907

NOTE: (A) PARTS ARE INCLUDED IN REPAIR KIT — REFER GROUP 4.902



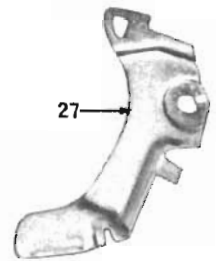
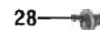
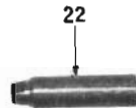
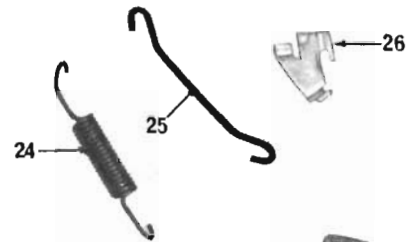
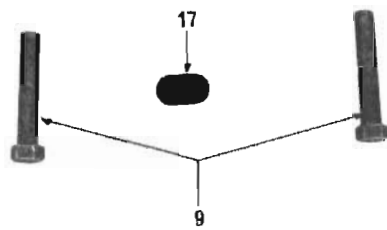
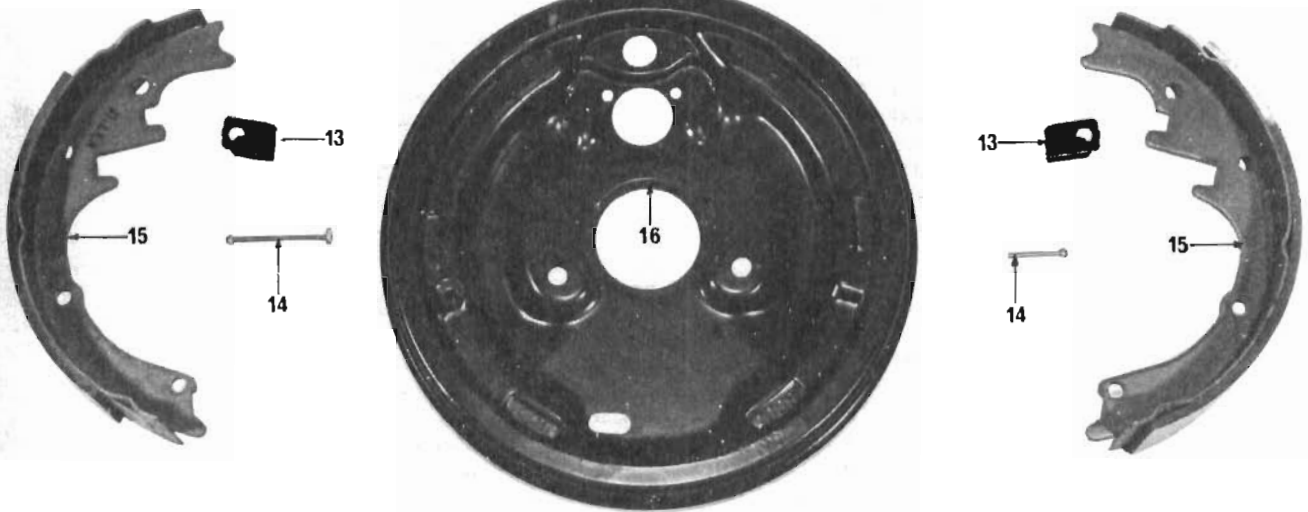
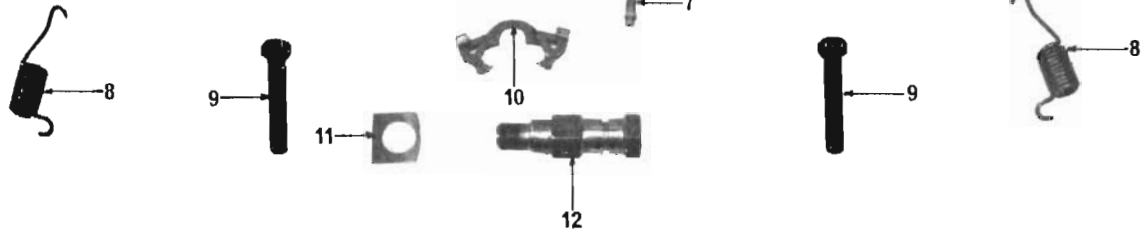
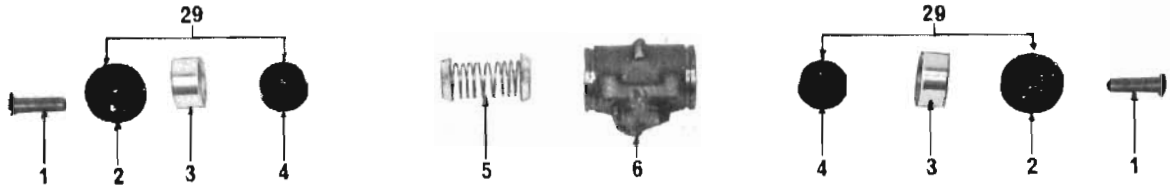
BRAKE BOOSTER — P.B.R.

8 CYLINDER ENGINE

ILLUSTRATION OPPOSITE

ILLUS. REF. NO.	PART NAME	GROUP
1 — 29.	BOOSTER — Brake vacuum servo	4.902
1.(A)	SEAL — Main cylinder push rod	4.907
2.	PLATE — Push rod seal support	4.907
3.	ROD — Main cylinder push	4.907
4.(A)	VALVE — Check	4.904
5.(A)	GROMMET — Check valve	4.904
6.	SHELL & STUDS — Front	N.S.S.
7.	SPRING — Diaphragm return	4.908
8.	NUT — Locating	N.S.S.
9.	PRESSURE PLATE — Front diaphragm	N.S.S.
10.	DIAPHRAGM	4.908
11.	DIAPHRAGM COLLAR	N.S.S.
12.	SEAL — Centre shell	4.908
13.	SHELL — Centre	N.S.S.
14.	“O” RING — Adaptor	4.908
15.	ADAPTOR	N.S.S.
16.	SCREW	N.S.S.
17.	PLATE — Diaphragm press	4.906
18.	SPACER — Diaphragm	N.S.S.
19.	DIAPHRAGM — Rear	N.S.S.
20.(A)	DISC — Reaction	4.907
21.	KEY — Locking	4.907
22.	VALVE BODY	N.S.S.
23.(A)	PLUNGER ASSY. — Valve rod	N.S.S.
24.(A)	SEAL — Rear shell	4.908
25.	SHELL & STUDS — Rear	N.S.S.
26.(A)	FILTER — Air cleaner	4.903
27.(A)	WASHER — Plunger felt	4.907
28.(A)	BOOT — Plunger	4.907
29.	RETAINER — Plunger boot	4.907
30.	WASHER	N.S.S.

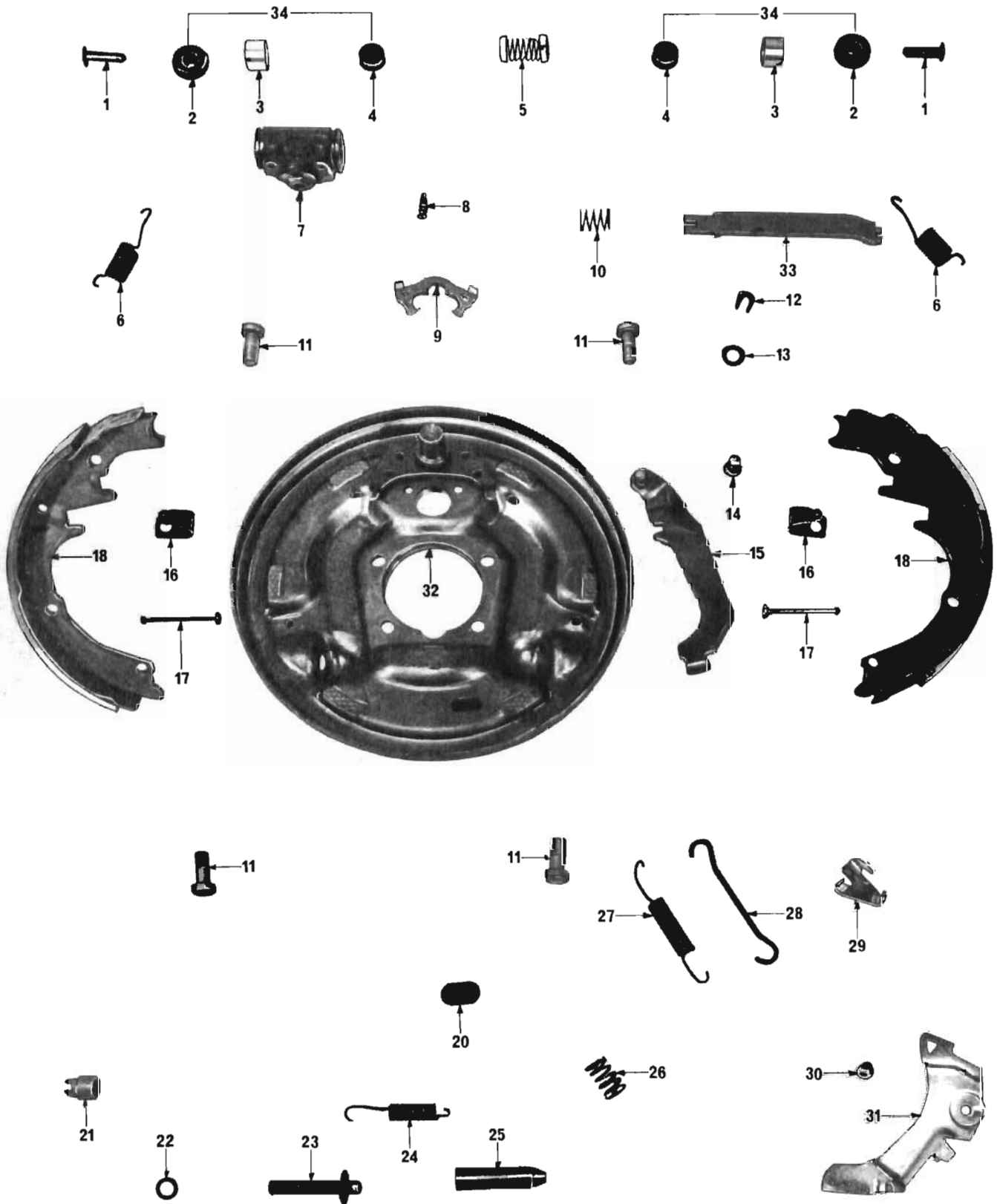
NOTE: (A) PARTS ARE INCLUDED IN REPAIR KIT — REFER GROUP 4.902



FRONT BRAKES
DUO-SERVO SELF ADJUSTING
6 Cylinder Engine

ILLUSTRATION OPPOSITE

ILLUS. REF. NO.	PART NAME	GROUP
1.	LINK - Connecting	4.675
2.	BOOT - Wheel cylinder	4.670
3.	PISTON - Wheel cylinder	4.668
4.	CUP - Wheel cylinder	4.667
5.	SPRING - Wheel cylinder	4.669
6.	BODY - Wheel cylinder	4.665
7.	VALVE - Bleeder	4.666
8.	SPRING - Retractor	5.026
9.	BOLT - Backing plate	8.900
10.	PLATE - Guide	5.045
11.	PLATE - Backing plate bolt lock	5.002
12.	PIN - Anchor	5.055
13.	SPRING - Hold down pin	5.043
14.	PIN - Shoe hold down	5.041
15.	SHOE and LINING	5.017
16.	PLATE - Backing	5.001
17.	COVER - Adjusting hole	5.188
18.	PLUG - Adjusting	5.111
19.	WASHER - Adjusting screw	5.110
20.	SCREW - Adjusting	5.110
21.	SPRING - Adjusting nut	5.026
22.	NUT - Adjusting	5.111
23.	SPRING - Adjuster return	5.107
24.	SPRING - Adjuster overload	5.107
25.	LINK	5.105
26.	PLATE - Lever pivot	5.103
27.	LEVER	5.103
28.	BUSHING	5.103
29.	REPAIR KIT	4.665

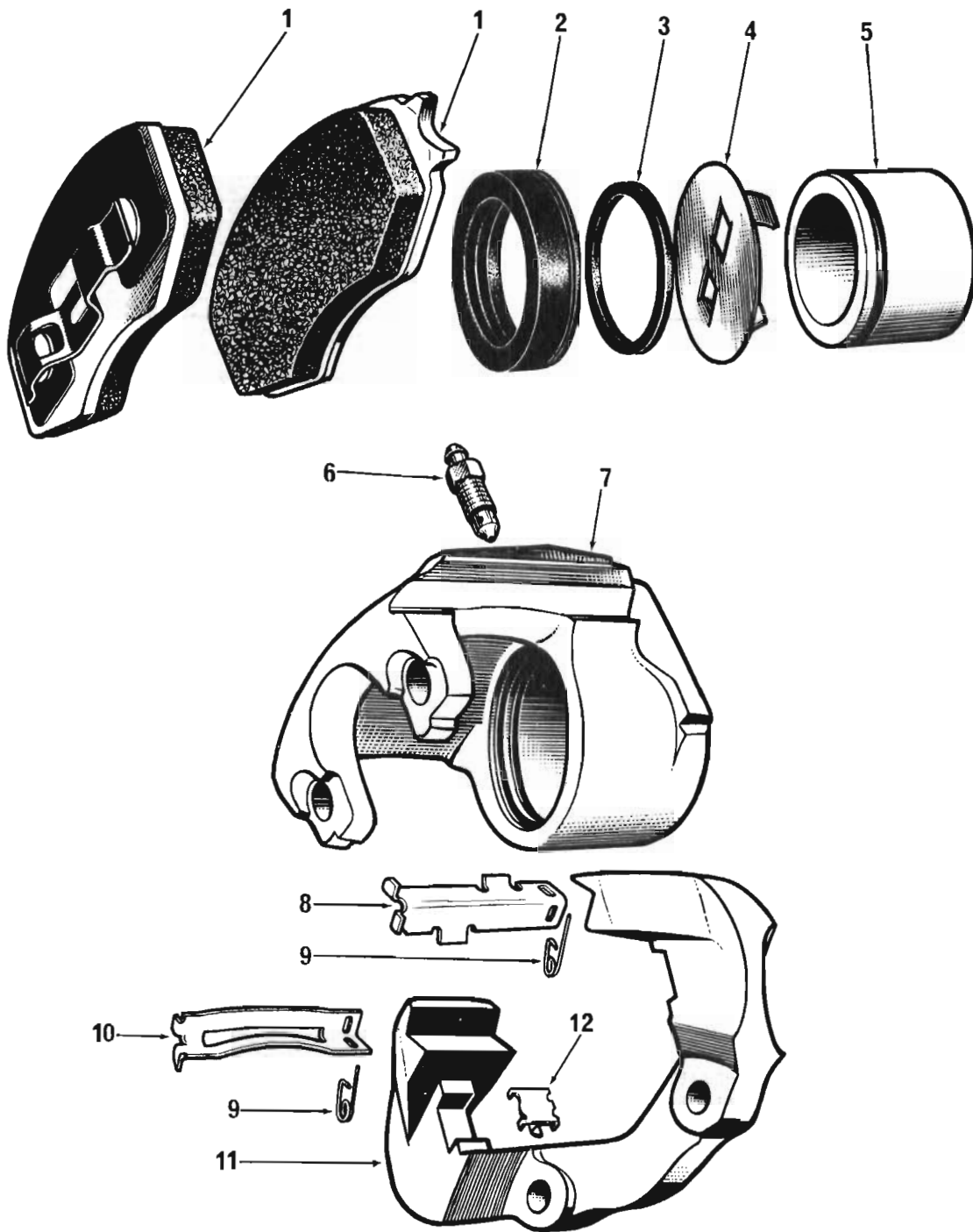


REAR BRAKES

ILLUSTRATION OPPOSITE

ILLUS. REF. NO.	PART NAME	GROUP
1.	LINK - Wheel cylinder connecting	4.675
2.(A)	BOOT - Wheel cylinder	4.670
3.	PISTON - Wheel cylinder	4.668
4.(A)	CUP - Wheel cylinder	4.667
5.	SPRING - Wheel cylinder	4.669
6.	SPRING - Brake shoe retractor	5.026
7.	BODY - Wheel cylinder	4.665
8.	VALVE - Bleeder	4.666
9.	PLATE - Shoe guide	5.045
10.	SPRING - Parking lever strut	5.151
11.	BOLT - Plate to axle	5.002
12.	CLIP - Parking lever retainer	5.158
13.	WASHER - Parking lever to secondary shoe	5.158
14.	PIN - Parking lever	5.158
15.	LEVER - Parking brake actuating	5.149
16.	SPRING - Shoe hold down pin	5.043
17.	PIN - Shoe hold down	5.041
18.	SHOE & LINING - Primary, secondary	5.017
19.	LINING SET	5.018
20.	COVER - Adjusting hole	5.188
21.	PLUG - Adjusting screw	5.111
22.	WASHER - Adjusting screw	5.110
23.	SCREW - Adjusting	5.110
24.	SPRING - Adjusting nut	5.026
25.	NUT - Adjusting	5.111
26.	SPRING - Adjuster - return	5.107
27.	SPRING - Adjuster - overload	5.107
28.	LINK - Adjuster	5.105
29.	PLATE - Adjuster lever	5.103
30.	BUSHING - Adjuster	5.103
31.	LEVER - Adjuster	5.103
32.	PLATE ASSY. - Backing	5.001
33.	STRUT - Adjusting lever	5.150
34.	REPAIR KIT	4.665

NOTE: (A) Parts included in Repair Kit. Illus. Ref. No. 34



BRAKE CALIPER ASSEMBLY

ILLUS. REF. NO.	PART NAME	GROUP	ILLUS. REF. NO.	PART NAME	GROUP
1.	PAD SET	5.018	7.	HOUSING	N.S.S.
2.	SEAL KIT	4.667	8.	SPACER - Key	4.665
3.	SHIM	4.668	9.	CLIP - Retaining	4.665
4.	SHIM	4.668	10.	SPRING - Support	4.665
5.	PISTON	4.668	11..	BRACKET	N.S.S.
6.	VALVE - Bleeder	4.666	12.	CLIP - Anti-rattle spring	4.665

TORANA "LX" PARTS CATALOGUE

GROUP	DESCRIPTION	MODEL	SIDE	PART No.	QTY.
4.591	PEDAL – Parking brake				
	PEDAL ASSY	RIGHT HAND DRIVE		9935052	1
		LEFT HAND DRIVE		9935053	1
	BOLT - Pedal mounting	ALL		120228	A.R.
	WASHER - Pedal mounting, lock	ALL		120214	A.R.
	NUT - Pedal mounting	ALL		120376	A.R.
	TRIM - Brake pedal pad	ALL		2821449	1
4.592	KNOB – Parking brake release rod				
	KNOB	ALL		2825668	1
	SCREW - Knob to rod, set	ALL		(SP2537) 454649	1
4.594	ROD – Parking brake pedal release				
	ROD	ALL		2825615	1
	BUSHING - Release rod	ALL		9932222	2
	GROMMET - Bumper stop	ALL		SP1099	1
4.596	SPRING – Parking brake pawl				
	SPRING	ALL		2825139	1
4.606	SPRING – Parking brake release rod return				
	SPRING	ALL		9932821	1
4.610	BODY, SPRING, PLUNGER – Parking brake warning lamp				
	BODY - Switch	ALL		2807323	1
	SPRING - Switch	ALL		2807324	1
	PLUNGER - Switch	ALL		2807325	1
4.625	PEDAL, PAD – Brake				
	PEDAL ASSY	(M) Drum exc. Power Brakes			
		RIGHT HAND DRIVE		2824386	1
	PEDAL ASSY	(M) Disc. Power Brakes			
		RIGHT HAND DRIVE		9930539	1
	PEDAL ASSY	(A) Drum exc. Power Brakes			
		RIGHT HAND DRIVE		2824874	1
	PEDAL ASSY	(A) Disc. Power Brakes			
		RIGHT HAND DRIVE		9930540	1
	PEDAL ASSY	(M) Drum Brakes	LEFT HAND DRIVE	9929773	1
	PEDAL ASSY	(M) 6, 8 Cyl. Eng. Disc Brakes			
		LEFT HAND DRIVE		9931489	1
	PEDAL ASSY	(A) Drum Brakes	LEFT HAND DRIVE	9929772	1
	PEDAL ASSY	(A) Disc Brakes	LEFT HAND DRIVE	9930610	1
	PEDAL ASSY	(A) 4.2 Litre Eng.	LEFT HAND DRIVE	9931490	1
	PAD - Pedal	(M)		2823651	1
	PAD - Pedal	(A)		2824882	1
4.626	BUSHING, BEARING, SPACER – Brake pedal				
	BUSHING - Pedal pivot bolt	ALL		3798256	2
	BEARING - Pedal spacer		LEFT HAND DRIVE	2824213	1
	SPACER - Pedal pivot		RIGHT HAND DRIVE	2814737	1
4.628	SHAFT, PLATE, LEVER – Brake booster relay				
	SHAFT	(M) 6 Cyl. Eng. Disc Brakes			
		LEFT HAND DRIVE		7433508	1
	SHAFT	4.2 Litre Eng.	LEFT HAND DRIVE	7433508	1
	PLATE - Shaft lock	(M) 6 Cyl. Eng. Disc Brakes			
		LEFT HAND DRIVE		2806068	1
	PLATE - Shaft lock	4.2 Litre Eng.	LEFT HAND DRIVE	2806068	1
	LEVER	(M) 6 Cyl. Eng. Disc Brakes			
		LEFT HAND DRIVE		9937360	1
	LEVER	4.2 Litre Eng.	LEFT HAND DRIVE	9937360	1
	SLEEVE - Relay lever to booster push rod	(M) 6 Cyl. Eng. Disc Brakes			

TORANA "LX" PARTS CATALOGUE

GROUP	DESCRIPTION	MODEL	SIDE	PART No.	QTY.
4.628	SHAFT, PLATE, LEVER – Brake booster relay (contd.)				
		LEFT HAND DRIVE		9937362	1
	SLEEVE - Relay lever to booster push rod	4.2 Litre Eng.	LEFT HAND DRIVE	9937362	1
	BUSHING - Relay lever	(M) 6 Cyl. Eng. Disc Brakes			
		LEFT HAND DRIVE		6368033	3
	BUSHING - Relay lever	4.2 Litre Eng.	LEFT HAND DRIVE	6368033	3
	WASHER - Relay lever	(M) 6 Cyl. Eng. Disc Brakes			
		LEFT HAND DRIVE		7409936	1
	WASHER - Relay lever	4.2 Litre Eng.	LEFT HAND DRIVE	7409936	1
	PIN - Relay lever to mounting bracket, cotter	(M) 6 Cyl. Eng. Disc Brakes			
		LEFT HAND DRIVE		11079773	1
	PIN - Relay lever to mounting bracket, cotter	4.2 Litre Eng.	LEFT HAND DRIVE	11079773	1
4.636	SPACER – Brake pedal mounting				
	SPACER	LEFT HAND DRIVE		9929531	1
	WASHER - Spacer	LEFT HAND DRIVE		7409936	1
4.636	BOLT – Brake pedal pivot				
	BOLT - Hex. hd. 1/2" - 13 x 7 1/2"	RIGHT HAND DRIVE		SP2297	1
	BOLT - Hex. hd. 1/2" - 13 x 5 3/4"	6, 8 Cyl. Eng.	LEFT HAND DRIVE	215723	1
	NUT - Pivot bolt	ALL		SP2561	1
	WASHER - Pivot bolt, flat	RIGHT HAND DRIVE		9417098	1
4.639	SPRING – Brake pedal return				
	SPRING	ALL		2824703	1
	EXTENSION - Return spring to push rod	ALL		9928919	1
4.649	REPAIR KIT – Brake main cylinder				
	REPAIR KIT	ALL		2824362	1
4.650	CYLINDER – Brake main				
	CYLINDER ASSY	Drum Brakes		9930514	1
	BOLT - Main cylinder to cowl	Drum Brakes		122145	2
	WASHER - Main cylinder to cowl, lock	Drum Brakes		120382	2
	CYLINDER ASSY	Disc Brakes		9930515	1
	WASHER - Main cylinder to booster, lock	Disc Brakes	RIGHT HAND DRIVE	120382	2
	NUT - Main cylinder to booster	Disc Brakes	RIGHT HAND DRIVE	120377	2
	WASHER - Main cylinder to booster, flat	Disc Brakes	LEFT HAND DRIVE	274517	2
	NUT - Main cylinder to booster, lock	Disc Brakes	LEFT HAND DRIVE	9422277	2
	BODY ASSY.	Drum Brakes		2811648	1
	BODY ASSY.	Disc Brakes		2811649	1
4.651	COVER, DIAPHRAGM, BAIL – Brake main cylinder				
	COVER	ALL		2811650	1
	DIAPHRAGM - Cover	ALL		2811651	1
	BAIL - Cover	ALL		2823803	1
4.652	INSERT, PLUG, WASHER – Brake main cylinder				
	INSERT - Tube fitting	ALL		5452322	2
	PLUG	ALL		7433139	1
	WASHER - Plug	ALL		7433162	1
4.653	PISTON – Brake main cylinder				
	PISTON - Primary	ALL		9930519	1
	PISTON - Secondary	ALL		7434961	1
	STOP - Primary piston	ALL		5452315	1
	SCREW - Secondary piston stop	ALL		5464418	1

TORANA "LX" PARTS CATALOGUE

GROUP	DESCRIPTION	MODEL	SIDE	PART No.	QTY.
4.654	SEAL, PROTECTOR – Brake main cylinder piston				
	SEAL	ALL		5453620	2
	SEAL	ALL		5460195	3
	PROTECTOR	ALL		5462635	2
4.655	SPRING, RETAINER – Brake main cylinder piston				
	SPRING & RETAINER ASSY - Secondary	ALL		2819950	1
	SPRING - Primary	ALL		5452520	1
	RETAINER - Primary spring	ALL		5464424	1
4.656	RING, SCREW – Brake main cylinder				
	RING - Lock	ALL		5467356	1
	SCREW - Primary piston extension	ALL		5452519	1
4.657	VALVE, SPRING – Brake main cylinder check				
	VALVE ASSY	ALL		5462642	2-1
	SPRING - Valve	ALL		5462637	2-1
4.658	ROD – Brake main cylinder push				
	ROD	Drum Brakes		9928759	1
	ROD	(M) 6 Cyl. Eng. Disc Brakes LEFT HAND DRIVE		9931424	1
	ROD	4.2 Litre Eng.LEFT HAND DRIVE		9931424	1
	RETAINER - Push rod	Drum Brakes		9928571	1
	RETAINER - Push rod	(M) 6 Cyl. Eng. Disc Brakes LEFT HAND DRIVE		2818206	2
	RETAINER - Push rod pin to lever	(M) 6 Cyl. Eng. Disc Brakes LEFT HAND DRIVE		2820067	2
	RETAINER - Push rod	4.2 Litre Eng.LEFT HAND DRIVE		2818206	2
	RETAINER - Push rod pin to lever	4.2 Litre Eng.LEFT HAND DRIVE		2820067	2
4.659	BOOT – Brake main cylinder push rod				
	BOOT	Drum Brakes		9928905	1
	BOOT	(M) 6 Cyl. Eng. Disc Brakes LEFT HAND DRIVE		9931423	1
	BOOT	4.2 Litre Eng.LEFT HAND DRIVE		9931423	1
4.662	PIN, TRUNNION – Brake main cylinder rod end				
	PIN - Push rod to brake pedal	ALL		9928956	1
	WASHER - Push rod to brake pedal, flat	ALL		9417098	1
	PIN - Push rod to brake pedal, cotter	ALL		11079741	1
	PIN - Relay lever to push rod	(M) 6 Cyl. Eng. Disc Brakes LEFT HAND DRIVE		9937361	1
	PIN - Relay lever to push rod	4.2 Litre Eng.LEFT HAND DRIVE		9937361	1
	TRUNNION - Push rod	(M) 6 Cyl. Eng. Disc Brakes LEFT HAND DRIVE		9931422	1
	TRUNNION - Push rod	4.2 Litre Eng.LEFT HAND DRIVE		9931422	1
4.665	CYLINDER, BODY, REPAIR KIT – Wheel brake				
	CYLINDER ASSY - Front	Drum Brakes	LH	7438308	1
			RH	7438309	1
	CYLINDER ASSY Rear	ALL		9933081	2
	BOLT - Cylinder to backing plate	Drum Brakes		180015	4
	BODY - Front	Drum Brakes	LH	7438090	1
			RH	7438089	1
	BODY - Rear	ALL		9933082	2
	REPAIR KIT - Front	Drum Brakes		7439076	2
	REPAIR KIT - Rear	ALL		VS13357	2

TORANA "LX" PARTS CATALOGUE

GROUP	DESCRIPTION	MODEL	SIDE	PART No.	QTY.
4.665 CALIPER – Disc brake					
	CALIPER ASSY.	Disc Brakes	LH	9928983	1
	<i>Bolt Atlas, 3P2672 x 4.</i> BOLT - Caliper to knuckle	Disc Brakes	RH	9928984	
	LOCKWASHER - Caliper to knuckle	Disc Brakes		181669	4
				103322	4
4.665 REPAIR KIT – Brake caliper guide					
	REPAIR KIT - Minor	Disc Brakes		(⁵³ VS12696	1
	REPAIR KIT - Major	Disc Brakes		(⁵⁴ VS12697	1
4.665 CLIP, SPACER, SPRING – Brake caliper guide					
	CLIP - Anti-rattle spring	Disc Brakes		VS12448	2
	SPACER - Key	Disc Brakes		VS12446	2
	SPRING - Support	Disc Brakes		VS12447	2
	CLIP - Retaining	Disc Brakes		VS12607	4
4.666 VALVE – Wheel brake bleeder					
	VALVE - Front & rear cylinder	ALL		7420715	4-2
	VALVE - Front caliper	Disc Brakes		VS11926	2
4.667 CUP, RING – Wheel brake cylinder					
	CUP - Front	Drum Brakes		5455298	4
	CUP - Rear	ALL		9933080	4
4.667 SEAL KIT – Caliper piston					
	SEAL KIT	Disc Brakes		VS12451	1
4.668 PISTON – Wheel brake cylinder, caliper					
	PISTON - Front	Drum Brakes		7438390	4
	PISTON - Front caliper	Disc Brakes		VS12449	2
	SHIM - Caliper piston	Disc Brakes		VS12606	A.R.
	PISTON - Rear	ALL		9933079	4
	EXPANDER - Rear			9933090	2
4.669 SPRING – Wheel brake cylinder					
	SPRING - Front	Drum Brakes		5455487	2
	SPRING - Rear	ALL		9933089	2
4.670 BOOT – Wheel brake cylinder					
	BOOT - Front	Drum Brakes		7438159	4
	BOOT - Rear	ALL		7420773	4
4.670 SHIELD – Brake caliper splash					
	SHIELD	Disc Brakes	LH	9931903	1
			RH	9931902	1
4.675 LINK – Wheel brake cylinder connecting					
	LINK	ALL		7420743	8-4
4.680 HOSE – Brake					
	HOSE - Front	Drum Brakes		9929174	2
	HOSE - Front	Disc Brakes ALL		9928589	2
	WASHER - Front hose to wheel cyl.	ALL		7410046	2
	HOSE - Rear	ALL		9928631	1

Note: (⁵³ Comprises 2-VS12447, 2-VS12607
(⁵⁴ Comprises 2-VS12446, 2-VS12447, 4-VS12607, 2-VS12448.

TORANA "LX" PARTS CATALOGUE

GROUP	DESCRIPTION	MODEL	SIDE	PART No.	QTY.
4.681	BRACKET – Brake hose				
	BRACKET – Front	Drum Brakes		9928569	2
	SCREW – Bracket to crossmember hex. hd. top 3/16" – 18 x .625"	Drum Brakes		SP2240	2
	CLIP – Rear hose to underbody	ALL		120527	1
	SCREW – Rear hose to underbody clip	ALL		9425111	1
	WASHER – Rear hose to underbody clip	ALL		SP2178	1
	BRACKET – Rear hose conn. mounting	ALL		2808757	1
	BRACKET – Rear hose to underbody	ALL		9928960	1
	SPRING – Yoke	ALL		476737	A.R.
4.685	PIPE, CLIP – Brake				
	PIPE ASSY. – Main cylinder to switch, front	Drum Brakes	RIGHT HAND DRIVE	2829936	1
			LEFT HAND DRIVE	9931019	1
	PIPE ASSY. – Main cylinder to switch, rear	Drum Brakes	RIGHT HAND DRIVE	2829937	1
			LEFT HAND DRIVE	9931020	1
	PIPE ASSY. – Main cylinder to switch, front	Power Brakes	RIGHT HAND DRIVE	9933167	1
	PIPE ASSY. – Main cylinder to switch, rear	Power Brakes	RIGHT HAND DRIVE	9933168	1
	PIPE ASSY. – Main cylinder to switch, front	4, 6 Cyl. Eng. Disc Brakes			
			RIGHT HAND DRIVE	2829938	1
	PIPE ASSY. – Main cylinder to switch, rear	4, 6 Cyl. Eng. Disc Brakes			
			RIGHT HAND DRIVE	2829939	1
	PIPE ASSY. – Main cylinder to switch, front	(M) 6 Cyl. Eng. Disc Brakes			
			LEFT HAND DRIVE	9932279	1
	PIPE ASSY. – Main cylinder to switch, rear	(M) 6 Cyl. Eng. Disc Brakes			
			LEFT HAND DRIVE	9932280	1
	PIPE ASSY. – Main cylinder to switch, front	(A) 6 Cyl. Eng. Disc Brakes			
			LEFT HAND DRIVE	9931021	1
	PIPE ASSY. – Main cylinder to switch, rear	(A) 6 Cyl. Eng. Disc Brakes			
			LEFT HAND DRIVE	9931022	1
	PIPE ASSY. – Main cylinder to switch, front	8 Cyl. Eng.	RIGHT HAND DRIVE	2829940	1
	PIPE ASSY. – Main cylinder to switch, rear	8 Cyl. Eng.	RIGHT HAND DRIVE	2829941	1
	PIPE ASSY. – Main cylinder to switch, front	4.2 Litre Eng.	LEFT HAND DRIVE	9931023	1
	PIPE ASSY. – Main cylinder to switch, rear	4.2 Litre Eng.	LEFT HAND DRIVE	9931024	1
	PIPE ASSY. – Connector to L.H. rear brake	ALL		9929299	1
	PIPE ASSY. – Connector to R.H. rear brake	ALL		9929300	1
	PIPE ASSY. – Switch to left front brake	Drum Brakes		9929245	1
	PIPE ASSY. – Switch to right front brake	Drum Brakes		9929246	1
	PIPE ASSY. – Switch to left front brake	Disc Brakes		9929524	1
	PIPE ASSY. – Switch to right front brake	Disc Brakes		9929523	1
	PIPE ASSY. – Switch to rear hose	Drum Brakes	RIGHT HAND DRIVE	9938055	1
	PIPE ASSY. – Switch to rear hose	Drum Brakes exc. Air Cond.			
			LEFT HAND DRIVE	9938055	1
	PIPE ASSY. – Switch to rear hose	Drum Brakes Air Cond.			
			LEFT HAND DRIVE	9938053	1
	PIPE ASSY. – Switch to rear hose	Disc Brakes	RIGHT HAND DRIVE	9938054	1
	PIPE ASSY. – Switch to rear hose	6, 8 Cyl. Eng. Disc Brakes exc. Air Cond.			
			LEFT HAND DRIVE	9938054	1
	PIPE ASSY. – Switch to rear hose	6, 8 Cyl. Eng. Disc Brakes Air Cond.			
			LEFT HAND DRIVE	9938052	1
	NUT - 3/16" inverted flared tube	ALL		137396	A.R.
	CLIP – Pipe to axle housing	ALL		7415654	2
	CLIP – Pipe to engine side rail	ALL		SP2359	1
	CLIP – Brake and fuel pipe to engine side rail	ALL		9936423	1
	CLIP – Main cylinder to switch front and rear pipes		LEFT HAND DRIVE	SP2299	3
	CLIP – Switch to union and LH front pipe	Air Cond.	LEFT HAND DRIVE	SP2299	1
	CLIP – Fuel pipe to brake pipe	ALL		599119	3
	CLIP – Fuel pipe to brake pipe	6 Cyl. Eng. Air Cond.	LEFT HAND DRIVE	599119	1
	PROTECTOR – Brake and fuel pipes	ALL		9930116	1
	PROTECTOR – Switch to union	6 Cyl. Eng. Air Cond.	LEFT HAND DRIVE	9933304	1

TORANA "LX" PARTS CATALOGUE

GROUP	DESCRIPTION	MODEL	SIDE	PART No.	QTY.
4.686	CONNECTOR and SWITCH – Brake pipe				
	CONNECTOR & SWITCH ASSY. -				
	Pressure warning	Drum Brakes		2817426	1
	BOLT - Connector & switch to fender	Drum Brakes		122040	1
	WASHER - Connector & switch to fender, ext. tooth lock	Drum Brakes		138485	1
	WASHER - Connector & switch to fender, lock	Drum Brakes		120214	1
	NUT - Connector & switch to fender	Drum Brakes		120376	1
	SWITCH ASSY - Pressure warning	ALL		VS11789	1
	VALVE ASSY - Pressure warning switch				
	and proportioning	Disc Brakes		9929907	1
	BOLT - Switch & proportioning valve to fender	Disc Brakes		122065	1
	WASHER - Switch & proportioning valve to fender,				
	ext. tooth lock	Disc Brakes		138485	1
	WASHER - Switch & proportioning valve to fender, lock	Disc Brakes		120214	1
	NUT - Switch & proportioning valve to fender	Disc Brakes		120376	1
	CONNECTOR - Rear brake pipe tee	ALL		7423276	1
4.764	EQUALISER – Parking brake cable				
	EQUALISER ASSY	ALL		6256437	1
4.826	CABLE – Parking brake				
	CABLE ASSY. - Front	RIGHT HAND DRIVE		2825236	1
		LEFT HAND DRIVE		9930525	1
	CABLE ASSY - Rear	ALL	LH	9935009	1
			RH	9935010	1
	CLIP - Cable to lower control arm			145411	2
	CLIP - Front cable to floor	ALL		SP1735	2
	CLIP - Front cable to fender skirt		LEFT HAND DRIVE	SP1735	1
	NUT - Front cable retaining	ALL		120238	1
	WASHER - Front cable retaining, lock	ALL		120384	1
	WASHER - Front cable retaining, ext. tooth lock	ALL		135629	1
	SPRING - Yoke	ALL		476737	1-2
4.829	BRACKET, GUIDE – Parking brake cable				
	BRACKET - Front cable	4 Cyl. Eng.		9936496	1
	BRACKET - Front cable	6, 8 Cyl. Eng.		2825188	1
	BRACKET - Rear cable	ALL		2829987	2
	GUIDE - Rear cable	ALL		2829801	2
4.830	CONNECTOR - Parking brake intermediate and rear cable				
	CONNECTOR	ALL		3770112	1
4.901	BRACKET, SUPPORT - Brake booster mounting				
	BRACKET ASSY	(M) 6 Cyl. Eng. Disc Brakes			
		LEFT HAND DRIVE		9931488	1
	BRACKET ASSY	4.2 Litre Eng.	LEFT HAND DRIVE	9931488	1
	BOLT - Mounting bracket to cowl		LEFT HAND DRIVE	180121	4
	WASHER - Mounting bracket to cowl, lock		LEFT HAND DRIVE	120382	4
	NUT - Mounting bracket to cowl		LEFT HAND DRIVE	120377	4
	SUPPORT	(M) 6 Cyl. Eng. Disc Brakes			
		LEFT HAND DRIVE		9931555	1
	SUPPORT	4.2 Litre Eng.	LEFT HAND DRIVE	9934004	1
	BOLT & WASHER - Support to front fender skirt		LEFT HAND DRIVE	SP1994	1
	WASHER - Support to front fender skirt, lock		LEFT HAND DRIVE	120214	1
	NUT - Support to front fender skirt		LEFT HAND DRIVE	123437	1
4.902	BOOSTER, REPAIR KIT – Brake vacuum servo				
	BOOSTER PACKAGE Accessory	(M) Drum Brakes	RIGHT HAND DRIVE	9938464	1
	BOOSTER PACKAGE Accessory	(A) Drum Brakes	RIGHT HAND DRIVE	9938465	1
	BOOSTER ASSY (Branded VH246)	Power Brakes	RIGHT HAND DRIVE	9938155	1
	REPAIR KIT (Booster VH246)	Power Brakes	RIGHT HAND DRIVE	VS12423	1
	BOOSTER ASSY (Branded VH271)	4, 6 Cyl. Eng. Disc Brakes			
		RIGHT HAND DRIVE		9935775	1

TORANA "LX" PARTS CATALOGUE

GROUP	DESCRIPTION	MODEL	SIDE	PART No.	QTY.
4.902	BOOSTER, REPAIR KIT – Brake vacuum servo (contd.)				
	REPAIR KIT – (Booster VH271)	4, 6 Cyl. Eng. Disc Brakes			
		RIGHT HAND DRIVE		VS13323	1
	BOOSTER ASSY. – (Branded VH270)	(M) 6 Cyl. Eng. Disc Brakes			
		LEFT HAND DRIVE		9935777	1
	REPAIR KIT – (Booster VH270)	(M) 6 Cyl. Eng. Disc Brakes			
		LEFT HAND DRIVE		VS13450	1
	BOOSTER ASSY. – (Branded VH271)	(A) 6 Cyl. Eng. Disc Brakes			
		LEFT HAND DRIVE		9935775	1
	REPAIR KIT – (Booster VH271)	(A) 6 Cyl. Eng. Disc Brakes			
		LEFT HAND DRIVE		VS13323	1
	BOOSTER ASSY. – (Branded VH329)	8 Cyl. Eng.	RIGHT HAND DRIVE	9938154	1
	REPAIR KIT – (Booster VH329)	8 Cyl. Eng.	RIGHT HAND DRIVE	VS12424	1
	BOOSTER ASSY. – (Branded VH330)	8 Cyl. Eng.	LEFT HAND DRIVE	9938156	1
	REPAIR KIT – (Booster VH330)	8 Cyl. Eng.	LEFT HAND DRIVE	VS12494	1
	WASHER – Booster to main cylinder	Disc Brakes	LEFT HAND DRIVE	274517	1
	NUT – Booster to main cylinder	Disc Brakes		9422277	2
4.903	FILTER - Brake vacuum servo booster				
	FILTER – Air	Disc, Power Brakes		VS10577	1
4.904	VALVE – Brake vacuum servo booster				
	VALVE ASSY. – Check	Disc, Power Brakes		9938160	1
	GROMMET – Check valve	Disc, Power Brakes		9929528	1
4.906	PLATE – Brake vacuum servo booster diaphragm				
	PLATE – Diaphragm pressure (Booster) VH246, VH329, VH330)	Disc, Power Brakes		VS11172	1
	PLATE – Diaphragm pressure (Booster VH270, VH271)	Disc Brakes		VS13321	1
4.907	SEAL, KEY, BOOT, ROD, DISC – Brake vacuum servo booster				
	SEAL – Push rod (Booster VH246, VH270, VH271, VH329, VH330)	Disc, Power Brakes		VS10576	1
	PLATE – Push rod seal support (Booster VH246, VH270, VH271, VH329, VH330)	Disc, Power Brakes		VS11178	1
	KEY – Plunger locking (Booster VH246, VH329, VH330)	Disc, Power Brakes		VS11177	1
	KEY – Plunger locking (Booster VH270, VH271)	Disc Brakes		VS13322	1
	BOOT – Plunger (Booster VH246, VH329, VH330) ...	Disc, Power Brakes		VS10574	1
	BOOT – Plunger (Booster VH270, VH271)	Disc Brakes		VS13022	1
	PLATE – Boot retaining (Booster VH246, VH329, VH330)	Disc, Power Brakes		VS11176	1
	WASHER – Plunger felt (Booster VH246, VH270, VH271, VH329, VH330)	Disc, Power Brakes		VS10578	1
	ROD – Main cylinder push (Booster VH270, VH271)	Disc Brakes		VS13315	1
	Disc – Reaction (Booster VH246, VH270, VH271, VH329, VH330)	Disc, Power Brakes		VS10575	1
4.908	SEAL – Brake vacuum servo booster shell				
	SEAL – Rear shell (Booster VH246, VH270, VH271, VH329, VH330)	Disc, Power Brakes		VS10579	1
	SEAL – Centre shell (Booster VH329, VH330)	Disc Brakes		VS10664	1
	"O" RING – Adaptor (Booster VH329, VH330)	Disc Brakes		VS10975	1
4.908	DIAPHRAGM, SPRING – Brake vacuum servo booster				
	DIAPHRAGM – Rear (Booster VH246, VH329, VH330)	Disc, Power Brakes		VS11170	1
	DIAPHRAGM – Rear (Booster VH270, VH271)	Disc Brakes		VS13320	1
	SPRING – Diaphragm return (Booster) VH246, VH329, VH330	Disc, Power Brakes		VS11171	1
	SPRING – Diaphragm return (Booster VH270, VH271)	Disc Brakes		VS13316	1

TORANA "LX" PARTS CATALOGUE

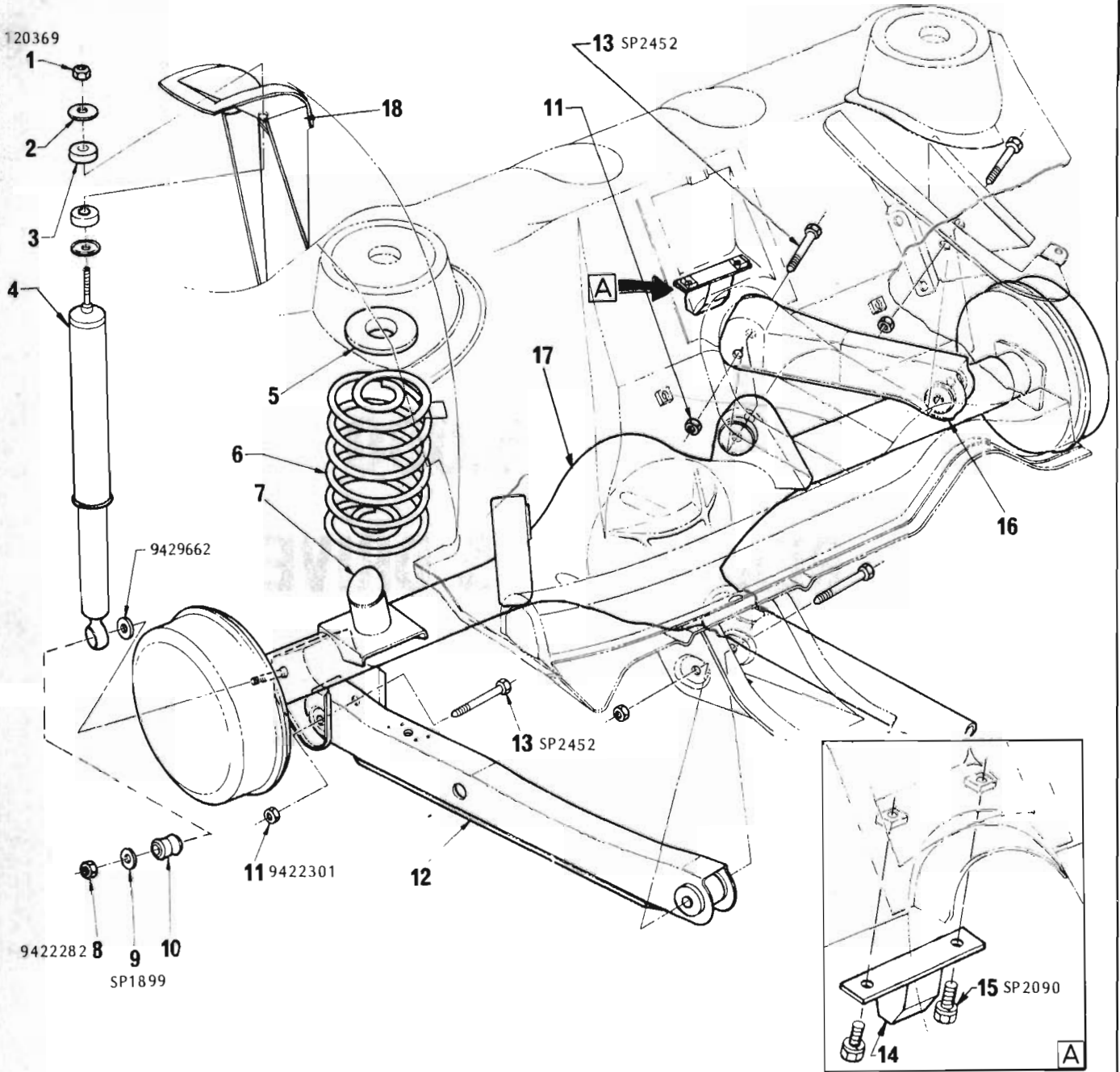
GROUP	DESCRIPTION	MODEL	SIDE	PART No.	QTY.
4.931	HOSE – Brake vacuum servo				
	HOSE	Power Brakes	RIGHT HAND DRIVE	2816860	1
	HOSE	4 Cyl. Eng. Disc Brakes		7438528	1
	HOSE	6 Cyl. Eng. Disc Brakes			
			RIGHT HAND DRIVE	2816860	1
			LEFT HAND DRIVE	7438528	1
	HOSE	8 Cyl. Eng.	RIGHT HAND DRIVE	7437814	1
			LEFT HAND DRIVE	7449240	1
	CLAMP Hose	Disc, Power Brakes		272846	2
5.001	PLATE – Brake backing				
	PLATE - Front	Drum Brakes	LH	2805399	1
			RH	2805400	1
	PLATE ASSY - Rear	ALL	LH	2805545	1
			RH	2805546	1
5.002	BOLT, LOCK PLATE – Brake backing plate mounting				
	LOCK PLATE - Front	Drum Brakes		7423746	2
	BOLT - Front plate to knuckle	Drum Brakes		455017	2
	BOLT - Rear plate to axle	ALL		2817738	8
5.010	CALIPER – Disc brake				
	Refer Group 4.665				
5.017	SHOE and LINING – Brake				
	FRONT - Primary	Drum Brakes		2815497	2
	FRONT - Secondary	Drum Brakes		2815499	2
	REAR - Primary	ALL		2815497	2
	REAR - Secondary	ALL		2815499	2
5.018	LINING SET – Brake				
	LINING SET - Front	Drum Brakes		7427905	1
	PAD SET - Front	Disc Brakes		VS12450	1
	PAD SET - Front - Heavy duty	Disc Brakes		VS13224	1
	LINING SET - Rear	ALL		7427905	1
		<i>MODIFIED TYPE (STOPS SOME CALING)</i>		<i>VS13751</i>	
5.019	RIVET – Brake lining				
	RIVET	ALL		7405754	A.R.
5.020	REPAIR KIT – Brake caliper				
	Refer Group 4.665				
5.020	CLIP, KEY, SPRING – Brake caliper				
	Refer Group 4.665				
5.026	SPRING – Brake shoe retractor				
	SPRING	ALL		7426770	8-4
	SPRING - Brake adjusting nut	ALL		7426769	4-2
5.041	PIN – Brake shoe hold down				
	PIN	ALL		7423578	8-4
5.043	SPRING – Brake shoe hold down pin				
	SPRING	ALL		7410794	8-4
5.045	PLATE – Brake shoe guide				
	PLATE - Front	Drum Brakes		7426808	2
	PLATE - Rear	ALL		7426783	2

TORANA "LX" PARTS CATALOGUE

GROUP	DESCRIPTION	MODEL	SIDE	PART No.	QTY.
5.055	PIN – Front brake anchor				
	PIN	Drum Brakes		7423242	2
5.103	LEVER, PLATE, BUSHING – Brake adjuster				
	LEVER - Adjuster	ALL	LH	7426775	2-1
			RH	7426776	2-1
	PLATE Adjuster lever	ALL	LH	7426777	2-1
			RH	7426778	2-1
	BUSHING Adjuster	ALL		7426774	4-2
5.105	LINK – Brake adjuster				
	LINK Green. Effective length 3.20"	ALL		(⁶ 7426780	A.R.
	LINK Black. Effective length 3.26"	ALL		(⁶ 7426781	A.R.
	LINK Red. Effective length 3.32"	ALL		(⁶ 7426782	A.R.
5.107	SPRING – Brake adjuster				
	SPRING Overload	ALL		7426772	4-2
	SPRING - Return	ALL		7426773	4-2
5.110	WASHER, SCREW – Brake adjuster				
	WASHER	ALL		7424836	4-2
	SCREW	ALL	LH	2820533	2-1
			RH	2820532	2-1
5.111	NUT, PLUG – Brake adjuster				
	NUT	ALL	LH	7424835	2-1
			RH	7426790	2-1
	PLUG Adjusting screw	ALL		7438646	4-2
5.149	LEVER – Parking brake actuating				
	LEVER ASSY	ALL	LH	7420807	1
			RH	7420808	1
5.150	STRUT – Parking brake actuating lever				
	STRUT	ALL		7420795	2
5.151	SPRING – Parking brake lever strut				
	SPRING	ALL		7420762	2
5.158	PIN, CLIP, WASHER – Parking brake lever				
	PIN	ALL		7420779	2
	CLIP - Lever retainer	ALL		5454798	2
	WASHER Lever to secondary shoe	ALL		5454797	2
5.188	COVER – Brake adjusting hole				
	COVER	ALL		7423304	4-2

Note: (⁶ Selective fit.

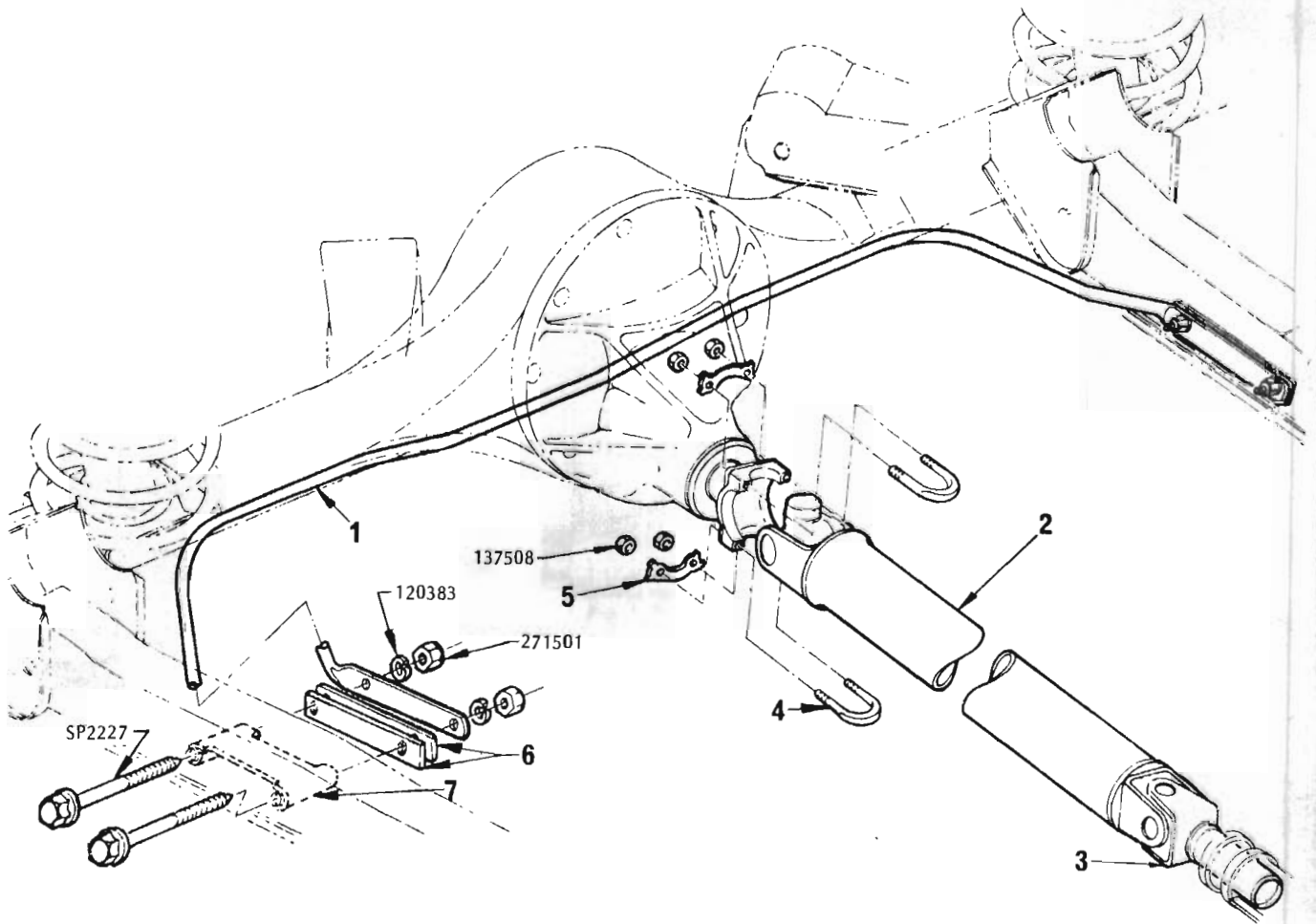
GROUP 5.000
REAR AXLE & DRIVE



8UG, 8UH, 5 Litre Eng.

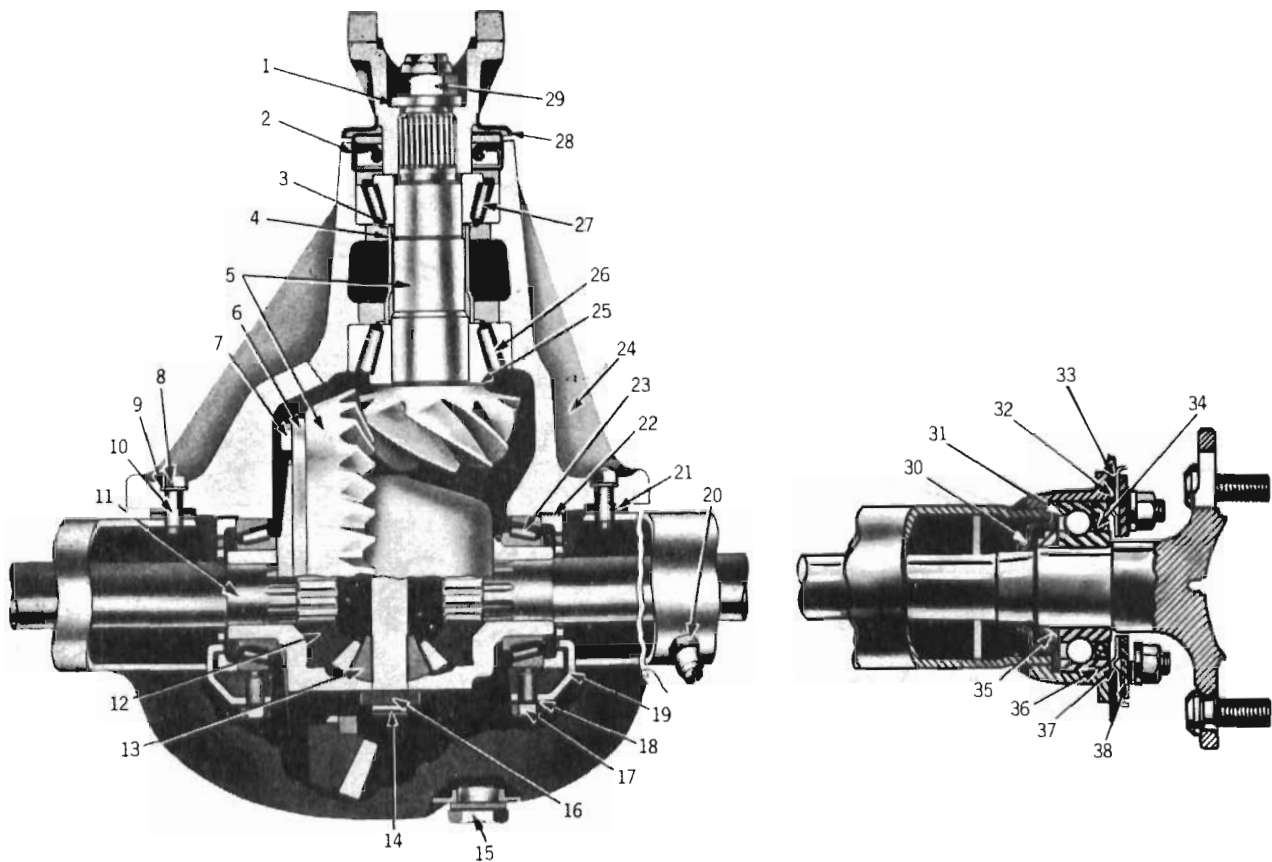
REAR AXLE & SUSPENSION

ILLUS. REF. NO.	PART NAME	GROUP	ILLUS. REF. NO.	PART NAME	GROUP
1.	NUT – Shock absorber to upper mtg.	7.370	10.	BUSHING – Rear, lower	7.370
2.	PLATE – Shock absorber to mtg.	7.370	11.	NUT – Control arm attaching	5.382
3.	BUSHING – Shock absorber to mtg.	7.370	12.	ARM ASSEMBLY – Lower	5.382
4.	SHOCK ABSORBER ASSY.	7.345	13.	BOLT – Control arm attaching	5.382
5.	INSULATOR – Rear spring	7.545	14.	BUMPER – Pinion nose	5.395
6.	SPRING – Rear	7.503	15.	BOLT – Hex. hd. 5/16" – 18 x .875"	5.395
7.	BUMPER – Rear axle	7.535	16.	ARM ASSEMBLY – Upper	5.382
8.	NUT – Shock absorber to axle	7.370	17.	HOUSING ASSY. – Rear axle	5.387
9.	WASHER – Shock absorber to axle	7.370	18.	MOUNTING ASSY. – Shock absorber	12.984



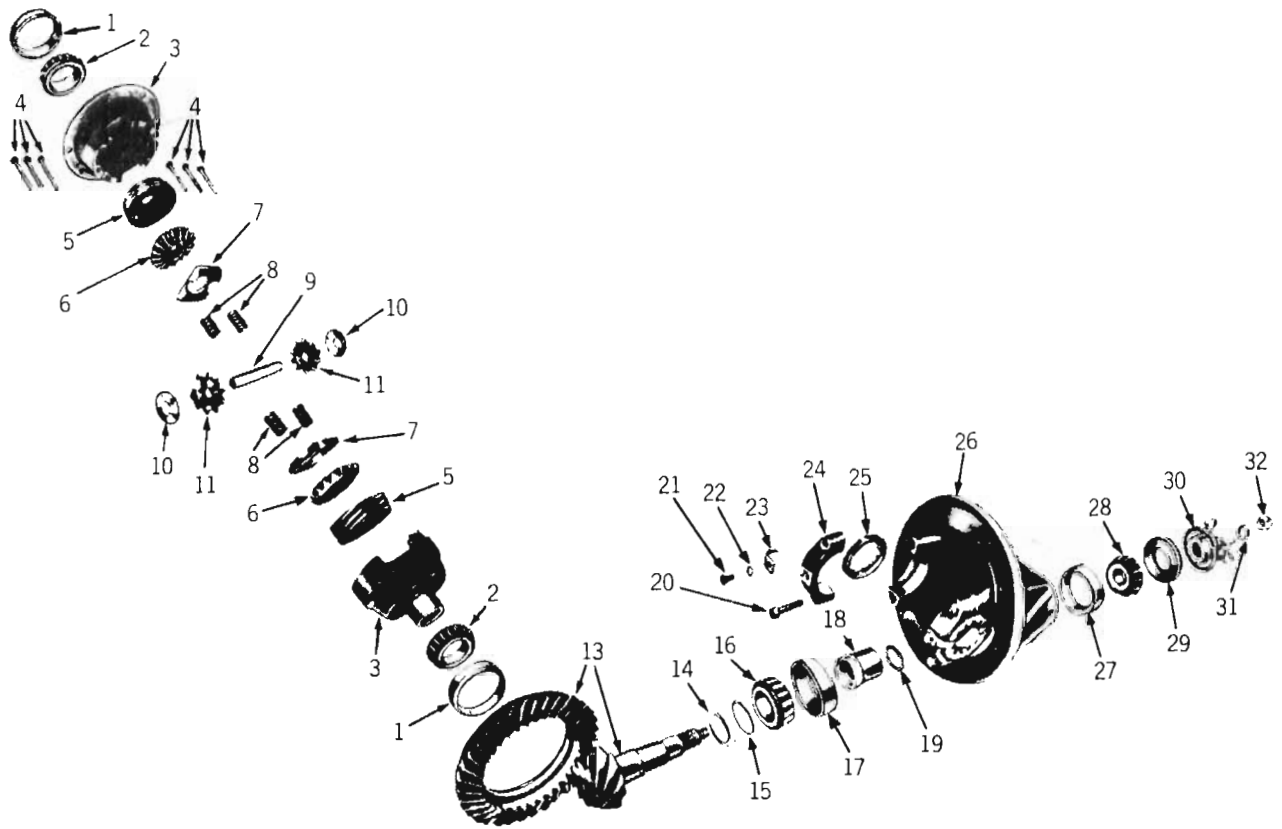
REAR STABILISER & PROPELLER SHAFT

ILLUS. REF. NO.	PART NAME	GROUP	ILLUS. REF. NO.	PART NAME	GROUP
1.	SHAFT - Rear stabiliser	5.415	5.	PLATE - Diff. pinion flange	5.546
2.	SHAFT ASSY. - Propeller	5.441	6.	SHIM - Rear stabiliser	5.415
3.	YOKE ASSY. - Front sleeve	5.555	7.	SPACER - Rear stabiliser	5.415
4.	"U" BOLT - Rear universal joint	5.586			



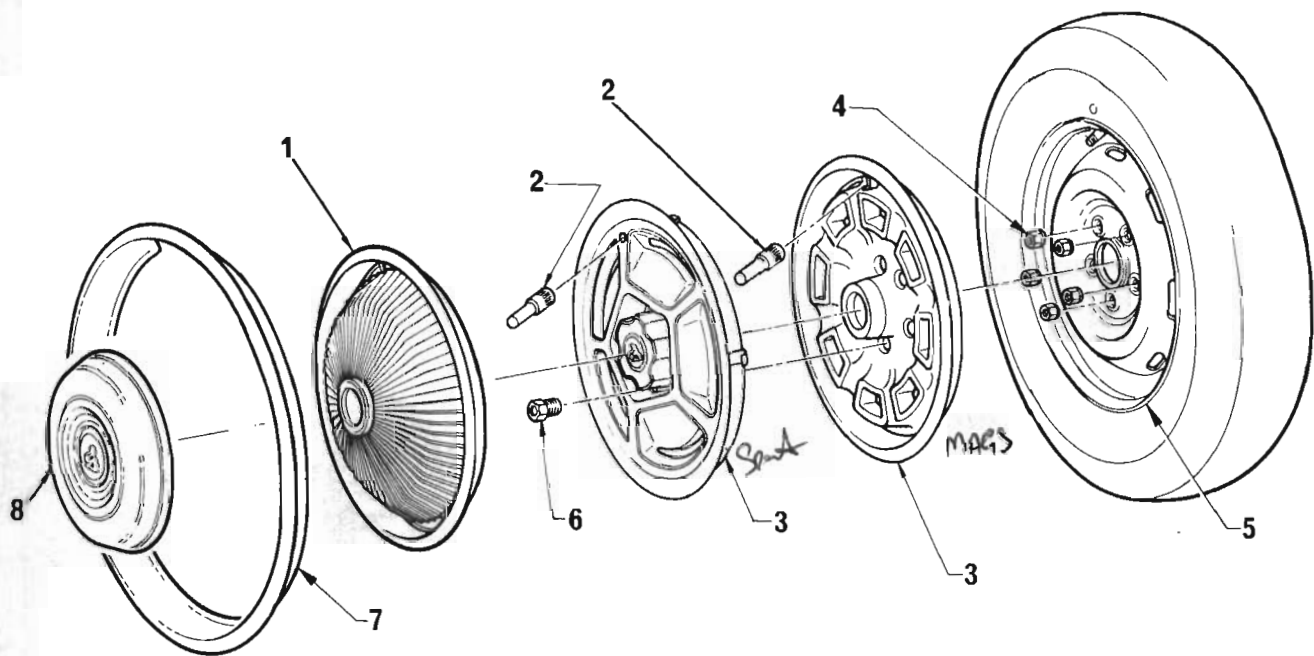
REAR AXLE ASSEMBLY

ILLUS. REF. NO.	PART NAME	GROUP	ILLUS. REF. NO.	PART NAME	GROUP
1.	WASHER - Flange nut	5.545	21.	GASKET	5.508
2.	SEAL - Pinion oil	5.469	22.	NUT - Adjusting	5.537
3.	SHIM - Preload	5.460	23.	CONE - Differential side bearing	5.536
4.	SPACER - Pinion bearing	5.453	24.	CARRIER & CAP ASSY.	5.505
5.	RING GEAR & PINION ASSY.	5.529	25.	SHIM - Locating	5.460
6.	CASE - Differential	5.510	26.	CONE - Rear pinion bearing	5.484
7.	BOLT - Ring gear	5.531	27.	CONE - Front pinion bearing	5.447
8.	NUT	8.915	28.	FLANGE ASSY.	5.545
9.	WASHER - Spring lock	8.931	29.	NUT - Flange retaining	5.545
10.	BOLT - Axle housing	5.387	30.	SEAL	5.822
11.	SHAFT - Axle	5.420	31.	BEARING - Axle shaft	5.855
12-13.	GEAR SET - Differential	5.527	32.	PLATE - Brake backing	5.001
14.	SHAFT - Differential pinion	5.517	33.	GASKET - Oil deflector	5.819
15.	PLUG - Filler	5.400	34.	SEAL - Outer	5.822
16.	PIN - Spring	5.518	35.	RING	5.816
17.	BOLT	8.900	36.	"O" RING	5.822
18.	WASHER	8.931	37.	RETAINER	5.816
19.	LOCK	5.539	38.	REINFORCEMENT	5.816
20.	BREATHER ASSY.	5.387			



DIFFERENTIAL ASSEMBLY
6 Cyl. Engine – Limited Slip

ILLUS. REF. NO.	PART NAME	GROUP	ILLUS. REF. NO.	PART NAME	GROUP
1.	CUP – Differential side bearing	5.536	18.	SPACER – Pinion bearing	5.453
2.	CONE – Differential side bearing	5.536	19.	SHIM – Bearing preload	5.460
3/5.	CASE – Differential	5.510	20.	BOLT – Cap to carrier	5.506
4.	BOLT	8.900	21.	BOLT – Adjusting nut	8.900
5/3.	CASE – Differential	5.510	22.	WASHER – Lock	8.932
6.	GEAR – Differential side	5.528	23.	LOCK – Adjusting nut	5.539
7.	PLATE – Preload spring	5.511	24/26	CARRIER & CAP ASSY.	5.505
8.	SPRING – Preload	5.511	25.	NUT – Bearing adjusting	5.537
9.	SHAFT – Pinion	5.517	26/24	CARRIER & CAP ASSY.	5.505
10.	WASHER – Thrust	5.542	27.	CUP – Pinion front bearing	5.447
11.	PINION – Differential	5.526	28.	CONE – Pinion front bearing	5.447
13.	RING GEAR & PINION	5.529	29.	SEAL – Pinion oil	5.469
14.	SHIM – Pinion locating	5.460	30.	FLANGE ASSY.	5.545
15.	SHIM – Pinion locating	5.460	31.	WASHER – Flange nut	5.545
16.	CONE – Pinion rear bearing	5.484	32.	NUT – Flange retaining	5.545
17.	CUP – Pinion rear bearing	5.484			



TRIM RING & ROAD WHEEL

ILLUS. REF. NO.	PART NAME	GROUP	ILLUS. REF. NO.	PART NAME	GROUP
1.	COVER ASSEMBLY - Wheel	5.871	5.	WHEEL ASSEMBLY - Road	5.803
2.	EXTENSION - Tyre valve	5.875	6.	NUT - Chrome plated 1" high	5.813
3.	TRIM ASSEMBLY - Wheel	5.871	7.	RING - Wheel trim	5.871
4.	NUT - Oxidised 1/2" high	5.813	8.	CAP - Wheel hub	5.858

TORANA "LX" PARTS CATALOGUE

GROUP	DESCRIPTION	MODEL	SIDE	PART No.	QTY.
5.382	ARM and COMPONENTS – Rear axle suspension				
	ARM ASSY - Upper	ALL		2816109	2
	BUSHING - Upper arm, front	ALL		2805716	2
	BUSHING - Upper arm, rear	ALL		2807098	2
	BRACKET - Upper arm, front	ALL	LH	2823879	1
			RH	2823878	1
	BRACKET ASSY. - Upper arm, rear	ALL	LH	2806019	1
			RH	2806018	1
	ARM ASSY - Lower	4 Cyl. Eng.		9934243	2
	BRACKET - Lower arm front mounting	ALL	LH	2823241	1
			RH	2823240	1
	ARM ASSY - Lower	6, 8 Cyl. Eng.		2823539	2
	BUSHING ASSY. - Lower arm	4 Cyl. Eng.		2805716	4
	BUSHING ASSY - Lower arm	6, 8 Cyl. Eng.		2807098	4
	BRACKET ASSY - Lower arm, rear	ALL	LH	2806047	1
			RH	2806046	1
	BOLT - Control arm attaching	ALL		SP2452	8
	NUT - Control arm attaching	ALL		9422301	8
	RIVET - Control arm bracket to floor pan	ALL		SP1387	8
5.386	REAR AXLE				
	CURRENT PRODUCTION REAR AXLE ASSEMBLIES WILL BE SUPPLIED ON A FIRM ORDER BASIS.				
5.387	HOUSING – Rear axle				
	HOUSING ASSY - 2.78:1, 3.08:1 A.R.	6 Cyl. Eng.		2819067	1
	HOUSING ASSY - 2.78:1, 3.08:1 A.R.	4.2 Litre Eng.		2819067	1
	HOUSING ASSY - 3.36:1, 3.55:1 A.R.	6 Cyl. Eng.		2819068	1
	HOUSING ASSY - 3.36:1, 3.90:1 A.R.	4 Cyl. Eng.		2819068	1
	HOUSING ASSY - 2.78:1 A.R.	5 Litre Eng.		2825743	1
	BREATHER ASSY.	ALL		7415204	1
	BOLT - Differential carrier to axle housing	ALL		348402	6-7
	WASHER - Special, flat	ALL		7418548	6-7
	WASHER - Differential carrier to axle housing, lock ..	ALL		103321	1-6
	NUT - Differential carrier to axle housing	ALL		103026	6
	BOLT - Differential carrier to axle housing, 2.78:1, 3.08:1 A.R.	6, 8 Cyl. Eng.		181385	1
	WASHER - Differential carrier to axle housing, 2.78:1, 3.08:1 A.R.	6, 8 Cyl. Eng.		7400256	1
	NUT - Hex. 3/8" - 24, 3.36:1, 3.55:1, 3.90:1 A.R.	ALL		SP1708	1
5.395	BUMPER, BRACKET – Pinion nose				
	BUMPER ASSY.	4 Cyl. Eng.		9932549	1
	BRACKET - Bumper	4 Cyl. Eng.		9932153	1
	BOLT - Hex. hd. 5/16" - 18 x .875" bumper to underbody	4 Cyl. Eng.		SP2090	2
5.400	PLUG - Axle housing				
	PLUG - Filler	ALL		7400181	1
	GASKET - Filler plug	ALL		113897	1
	PLUG - Drain - Bolt hex. hd. 3/8" - 24 x 3" 2.78:1, 3.08:1 A.R.	6, 8 Cyl. Eng.		181385	1
	PLUG - Drain - Bolt hex. hd. 3/8" - 24 x 7/8" 3.36:1, 3.55:1, 3.90:1 A.R.	4, 6 Cyl. Eng.		106285	1
	GASKET - Drain plug	ALL		7400256	1
5.415	SHAFT – Rear stabilizer				
	SHAFT	VD		9933557	1
	SPACER	VD		9933558	2
	SHIM	VD		9933559	2
	BOLT - Shaft to control arm	VD		SP2227	4
	WASHER - Lock	VD		120383	4
	NUT - Shaft to control arm	VD		271501	4
	SHAFT	4.2 Litre Eng.		9933557	1
	SPACER	4.2 Litre Eng.		9933558	2

TORANA "LX" PARTS CATALOGUE

GROUP	DESCRIPTION	MODEL	SIDE	PART No.	QTY.
5.415	SHAFT – Rear stabilizer (contd.)				
	SHIM	4.2 Litre Eng.		9933559	2
	BOLT – Shaft to control arm	4.2 Litre Eng.		SP2227	4
	WASHER – Lock	4.2 Litre Eng.		120383	4
	NUT – Shaft to control arm	4.2 Litre Eng.		271501	4
5.420	SHAFT – Rear axle				
	SHAFT ASSY	Exc. 5 Litre Eng.		2823457	2
	SHAFT ASSY.	5 Litre Eng.		9935185	2
5.441	SHAFT – Propeller				
	SHAFT – With joints (Gold)	(M) 4 Cyl. Eng. exc. Torquemaster trans.		9929546	1
	SHAFT – With joints (Violet)	(M) 4 Cyl. Eng. Torquemaster trans.		9929545	1
	SHAFT – With joints (Gold)	(A) 4 Cyl. Eng.		9929546	1
	SHAFT – With joints (Black)	(M) 3 speed trans. 6 Cyl. Eng.			
		RIGHT HAND DRIVE		2824233	1
		LEFT HAND DRIVE		2825446	1
	SHAFT – With joints (Black)	(M) 4 speed trans. 6 Cyl. Eng.		2824233	1
	SHAFT – With joints (Black)	(A) 6 Cyl. Eng.		2824233	1
	SHAFT – With joints (Light Green)	8 Cyl. Eng.		9929139	1
5.447	BEARING - Pinion front				
	CUP	ALL		7421671	1
	CONE	ALL		7421672	1
5.453	SPACER - Pinion bearing				
	SPACER	ALL		7421664	1
5.460	SHIM – Pinion bearing				
	PRE-LOAD	ALL		7425653	A.R.
	LOCATING – .005"	ALL		7408094	A.R.
	LOCATING – .006"	ALL		7408095	A.R.
	LOCATING – .007"	ALL		7408096	A.R.
	LOCATING – .008"	ALL		7408097	A.R.
	LOCATING – .009"	ALL		7408098	A.R.
	LOCATING – .010"	ALL		7408099	A.R.
	LOCATING – .015"	ALL		7408100	A.R.
5.469	SEAL – Rear axle pinion oil				
	SEAL	ALL		9938898	1
5.484	BEARING – Pinion rear				
	CUP	ALL		7421645	1
	CONE	ALL		7421646	1
5.504	DIFFERENTIAL and CARRIER				
	DIFFERENTIAL & CARRIER ASSY – 2.78:1 A.R.	5 Litre Eng.		9935137	1
	DIFFERENTIAL & CARRIER ASSY – 2.78:1 A.R.	Reg. Diff. 6 Cyl. Eng.		2810715	1
	DIFFERENTIAL & CARRIER ASSY – 2.78:1 A.R.	Limited Slip Diff. 6 Cyl. Eng.		2810716	1
	DIFFERENTIAL & CARRIER ASSY – 2.78:1 A.R.	Reg. Diff. 4.2 Litre Eng.		7439867	1
	DIFFERENTIAL & CARRIER ASSY. – 2.78:1 A.R.	Limited Slip Diff. 4.2 Litre Eng.		7435380	1
	DIFFERENTIAL & CARRIER ASSY – 3.08:1 A.R.	Reg. Diff. 6 Cyl. Eng.		2809015	1
	DIFFERENTIAL & CARRIER ASSY – 3.08:1 A.R.	Limited Slip Diff. 6 Cyl. Eng.		2809014	1
	DIFFERENTIAL & CARRIER ASSY. – 3.08:1 A.R.	Reg. Diff. 4.2 Litre Eng.		7437615	1
	DIFFERENTIAL & CARRIER ASSY. – 3.08:1 A.R.	Limited Diff. 4.2 Litre Eng.		7437616	1
	DIFFERENTIAL & CARRIER ASSY – 3.08:1 A.R.	5 Litre Eng.		9935138	1
	DIFFERENTIAL & CARRIER ASSY. – 3.36:1 A.R.	Reg. Diff. 4, 6 Cyl. Eng.		7421719	1
	DIFFERENTIAL & CARRIER ASSY. – 3.36:1 A.R.	Limited Slip Diff. 4, 6 Cyl. Eng.		7430869	1
	DIFFERENTIAL & CARRIER ASSY. – 3.55:1 A.R.	Reg. Diff. 6 Cyl. Eng.		7421475	1
	DIFFERENTIAL & CARRIER ASSY. – 3.55:1 A.R.	Limited Slip Diff. 6 Cyl. Eng.		7430870	1
	DIFFERENTIAL & CARRIER ASSY. – 3.90:1 A.R.	Reg. Diff. 4 Cyl. Eng.		7425931	1
	DIFFERENTIAL & CARRIER ASSY. – 3.90:1 A.R.	Limited Slip Diff. 4 Cyl. Eng.		7430871	1

CHASSIS

TORANA "LX" PARTS CATALOGUE

GROUP	DESCRIPTION	MODEL	SIDE	PART No.	QTY.
5.505	CARRIER and CAP – Differential				
	CARRIER & CAP ASSY. – 2.78:1, 3.08:1 A.R.	6, 8 Cyl. Eng.		7435382	1
	CARRIER & CAP ASSY. – 3.36:1, 3.55:1, 3.90:1 A.R.	4, 6 Cyl. Eng.		7421813	1
5.506	BOLT – Differential carrier				
	BOLT – Cap to carrier – 3½"	ALL		7421647	2
	BOLT – Cap to carrier – 1⅞"	ALL		7421673	2
5.508	GASKET – Axle housing to differential carrier				
	GASKET	ALL		7435153	1
5.510	CASE – Differential				
	CASE – 2.78:1, 3.08:1 A.R.	Reg. Diff. 6, 8 Cyl. Eng.		7435546	1
	CASE – Complete with internal components 2.78:1, 3.08:1 A.R.	Limited Slip Diff. 6 Cyl. Eng.		2808124	1
	CASE – Complete with internal components 2.78:1, 3.08:1 A.R.	Limited Slip Diff. 4.2 Litre Eng.		2808124	1
	CASE – Complete with internal components 2.78:1, 3.08:1 A.R.	Limited Slip Diff. 5 Litre Eng.		9935187	1
	CASE – 2.78:1, 3.08:1 A.R.	Limited Slip Diff. 6 Cyl. Eng.		VS10886	1
	CASE – 2.78:1, 3.08:1 A.R.	Limited Slip Diff. 4.2 Litre Eng.		VS10886	1
	CASE – 2.78:1, 3.08:1 A.R.	Limited Slip Diff. 5 Litre Eng.		VS12604	1
	CASE – 3.36:1, 3.55:1, 3.90:1 A.R.	Reg. Diff. 4, 6 Cyl. Eng.		7438144	1
	CASE – Complete with side bearings & internal components 3.36:1, 3.55:1, 3.90:1 A.R. ..	Limited Slip Diff. 4, 6 Cyl. Eng.		7432638	1
	CASE – 3.36:1, 3.55:1, 3.90:1 A.R.	Limited Slip Diff. 4, 6 Cyl. Eng.		VS10392	1
	BOLT – Case	Limited Slip Diff. 4, 6 Cyl. 4.2 Litre Eng.		454864	6
	WASHER – Bolt to case	Limited Slip Diff. 4, 6 Cyl., 4.2 Litre Eng.		103320	6
5.511	SPRING, PLATE – Differential				
	SPRING – Pre-load	Limited Slip Diff.		VS10371	4
	PLATE – Pre-load spring	Limited Slip Diff.		VS10373	2
5.517	SHAFT – Differential pinion				
	SHAFT	Reg. Diff.		7411921	1
	SHAFT	Limited Slip Diff.		VS10369	1
5.518	PIN – Differential pinion shaft lock				
	PIN – Spring ¼" x 1⅞"	Reg. Diff.		453670	1
	PIN	Limited Slip Diff.		VS10372	1
5.527	GEAR SET – Differential				
	GEAR SET – 2 side gears, 2 pinions	Reg. Diff.		7438035	1
	GEAR SET – 2 side gears, 2 pinions	Limited Slip Diff. exc. 5 Litre Eng.		VS10393	1
	GEAR SET – 2 side gears, 2 pinions	Limited Slip Diff. 5 Litre Eng.		VS12598	1
5.529	RING GEAR and PINION				
	RING GEAR & PINION ASSY. – 2.78:1 A.R.	6, 8 Cyl. Eng.		7435270	1
	RING GEAR & PINION ASSY. – 3.08:1 A.R.	6, 8 Cyl. Eng.		7437392	1
	RING GEAR & PINION ASSY. – 3.36:1 A.R.	4, 6 Cyl. Eng.		7438806	1
	RING GEAR & PINION ASSY. – 3.55:1 A.R.	6 Cyl. Eng.		7423279	1
	RING GEAR & PINION ASSY. – 3.90:1 A.R.	4 Cyl. Eng.		7436736	1
5.531	BOLT – Ring gear				
	BOLT	ALL		7421634	8
5.536	BEARING – Differential side				
	CUP	ALL		7421642	2
	CONE	ALL		7421643	2

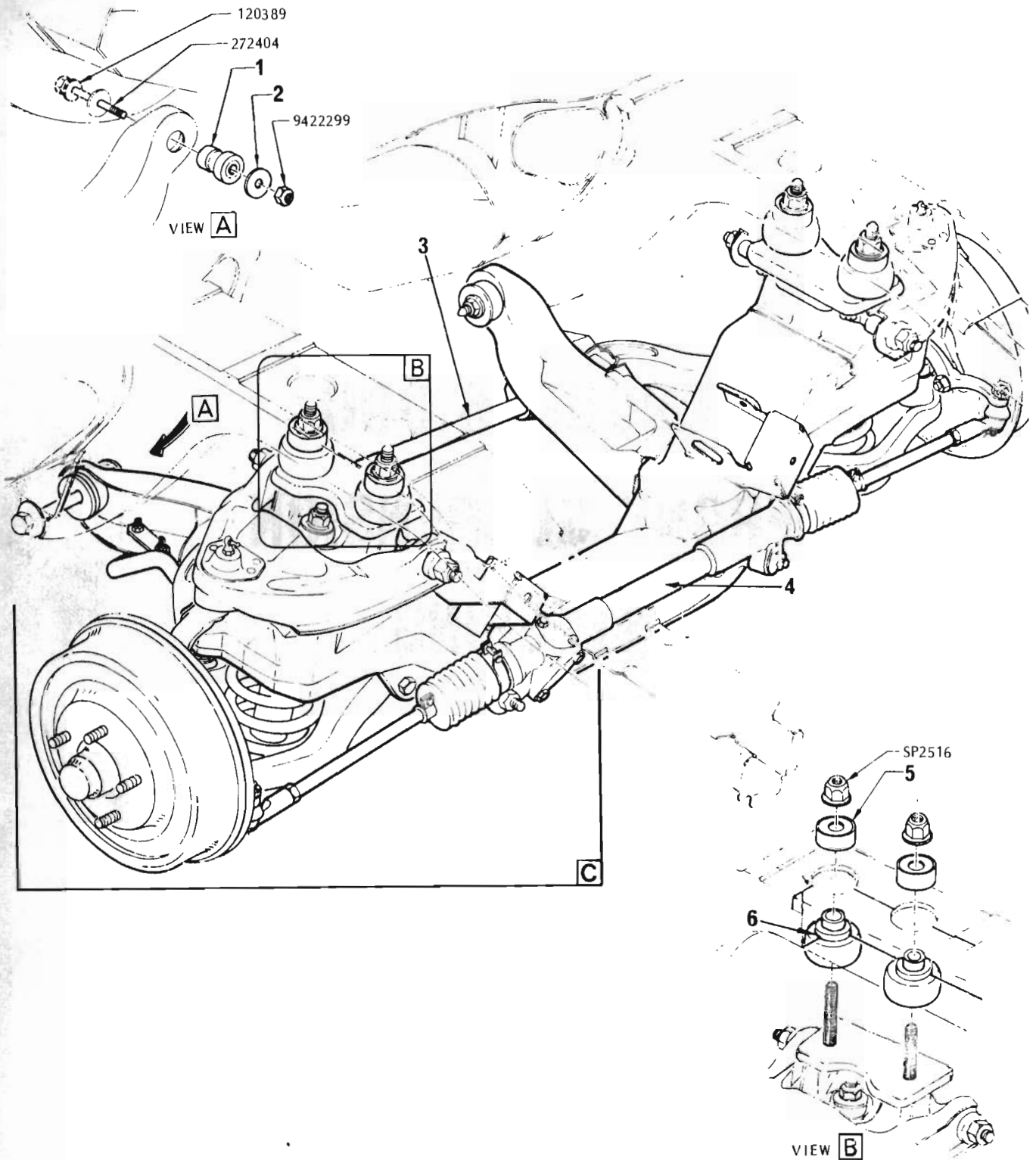
TORANA "LX" PARTS CATALOGUE

GROUP	DESCRIPTION	MODEL	SIDE	PART No.	QTY.
5.537	NUT – Differential side bearing				
	NUT - Adjusting	ALL		7421650	2
5.539	LOCK – Differential side bearing adjusting nut				
	LOCK	ALL		7407400	2
	BOLT - Lock retaining	ALL		106973	2
	WASHER - Lock retaining	ALL		114605	2
5.542	WASHER – Differential pinion thrust				
	WASHER	Reg. Diff.		7400280	2
	WASHER	Limited Slip Diff.		VS10370	2
5.543	WASHER, SHIM – Differential side gear thrust				
	WASHER	Reg. Diff.		7400279	2
	SHIM - .005"	Limited Slip Diff.		VS10374	A.R.
	SHIM - .010"	Limited Slip Diff.		VS10375	A.R.
5.545	SLINGER, FLANGE, NUT – Differential pinion				
	SLINGER	ALL		7421668	1
	FLANGE	4, 6 Cyl. Eng.		7422731	1
	FLANGE	8 Cyl. Eng.		7435383	1
	NUT	ALL		SP1665	1
	WASHER - Flange nut	ALL		7421649	1
5.546	PLATE – Differential pinion flange				
	PLATE - Lock	ALL		7422733	2
5.548	REPAIR KIT – Universal joint				
	REPAIR KIT	4, 6 Cyl. Eng.		VS10604	2
	REPAIR KIT	8 Cyl. Eng.		VS10606	2
5.555	YOKE – Universal joint				
	YOKE ASSY. - Front sleeve	4, 6 Cyl. Eng.		7427962	1
	YOKE ASSY. - Front sleeve	8 Cyl. Eng.		VS10608	1
5.586	"U" BOLT, RING – Universal joint				
	"U" BOLT - Rear	4, 6 Cyl. Eng.		7422734	2
	"U" BOLT - Rear	8 Cyl. Eng.		7435386	2
	NUT - "U" Bolt to pinion flange	ALL		137508	4
	RING	ALL		7400393	8
5.803	WHEEL – Road				
	WHEEL ASSY. 4.50 x 13	UG, UH, VB		2813814	5
	WHEEL ASSY. 4.50 x 13	VC Sedan		2813814	5
	WHEEL ASSY 5.50 x 13	ALL		2813815	5
	WHEEL ASSY. 6.00 x 13 sports	ALL		9929130	5
5.804	SPACER – Wheel				
	SPACER	VD		2807154	A.R.
5.809	DRUM – Brake				
	DRUM ASSY - Front	Drum Brakes		9933058	2
	DRUM ASSY - Rear	ALL		7424784	2
5.812	BOLT – Wheel hub				
	FRONT & REAR	ALL		9934167	20

TORANA "LX" PARTS CATALOGUE

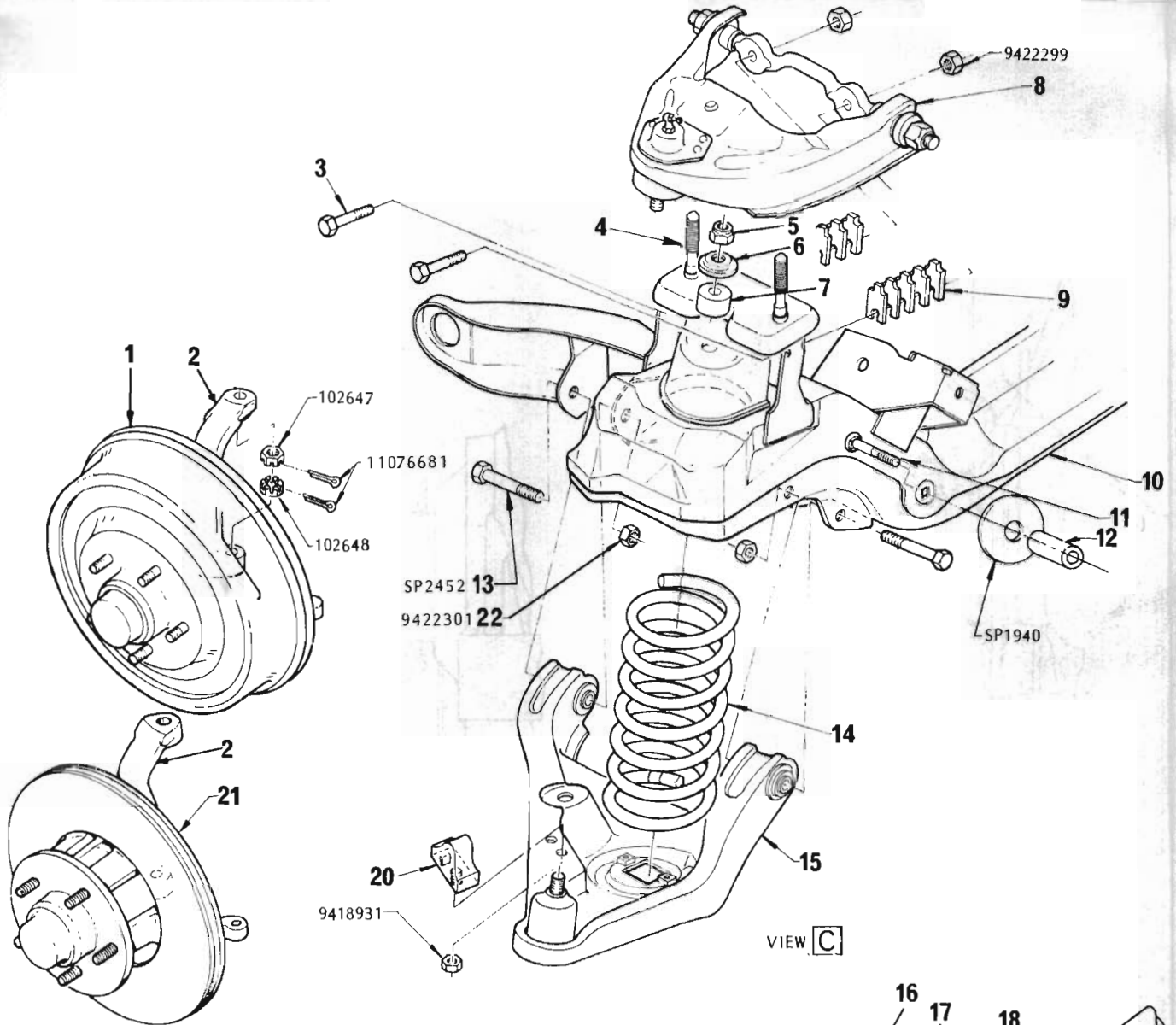
GROUP	DESCRIPTION	MODEL	SIDE	PART No.	QTY.
5.813	NUT – Wheel hub bolt				
	NUT - Oxidised ½" high	UG, LH, VB		2808656	20
	NUT - Oxidised ½" high	VC Sedan		2808656	20
	NUT - Chrome plated 1" high	ALL		2825904	20
5.816	RETAINER, RING – Rear axle bearing				
	RETAINER	ALL		2812102	2
	RING	ALL		9940845	2
5.822	SEAL – Rear axle bearing oil				
	SEAL	ALL		2812103	2
5.855	BEARING – Rear axle				
	BEARING PACKAGE	ALL		9942775	2
5.858	CAP, COVER – Wheel hub				
	CAP	Exc. Full Cover Wheel Trims		9942457	4
	COVER - Front wheel bearing	ALL		7413400	2
5.871	RING, COVER, TRIM – Wheel				
	RING	ALL		2810975	4
	COVER ASSY - (Imitation Turbine)	ALL		9939321	4
	TRIM ASSY - (Imitation Sports Wheel)	5.50 x 13, 6.00 x 13 Wheels		9940382	4
	TRIM ASSY - (Imitation Mag Wheel)	5.50 x 13, 6.00 x 13 Wheels		9932989	4
	NUT - Centre trim	Imitation sports & mag wheel trims		SP2507	4
5.875	EXTENSION – Tyre valve				
	EXTENSION	Exc. Sports Type Wheel Trim		9417730	4
	EXTENSION	Sports Type Wheel Trim		9422212	4

GROUP 6.000
FRONT SUSPENSION
STEERING



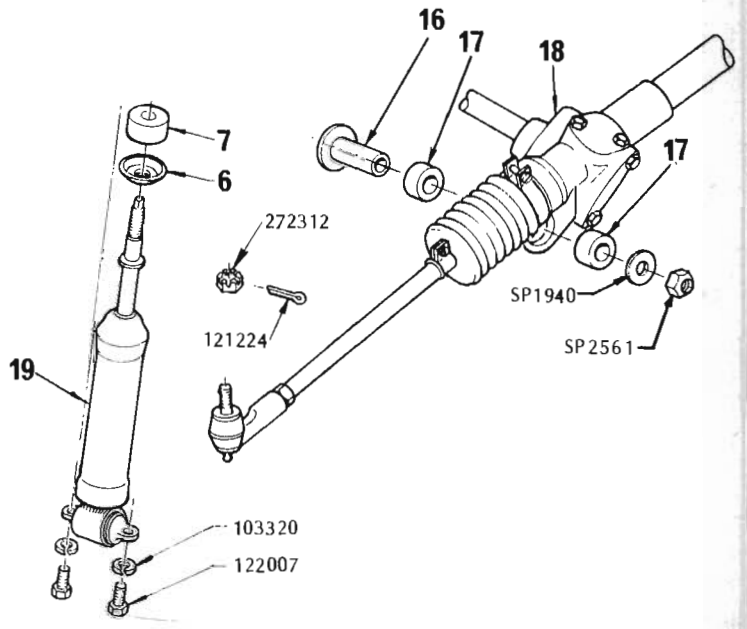
FRONT SUSPENSION and STEERING GEAR

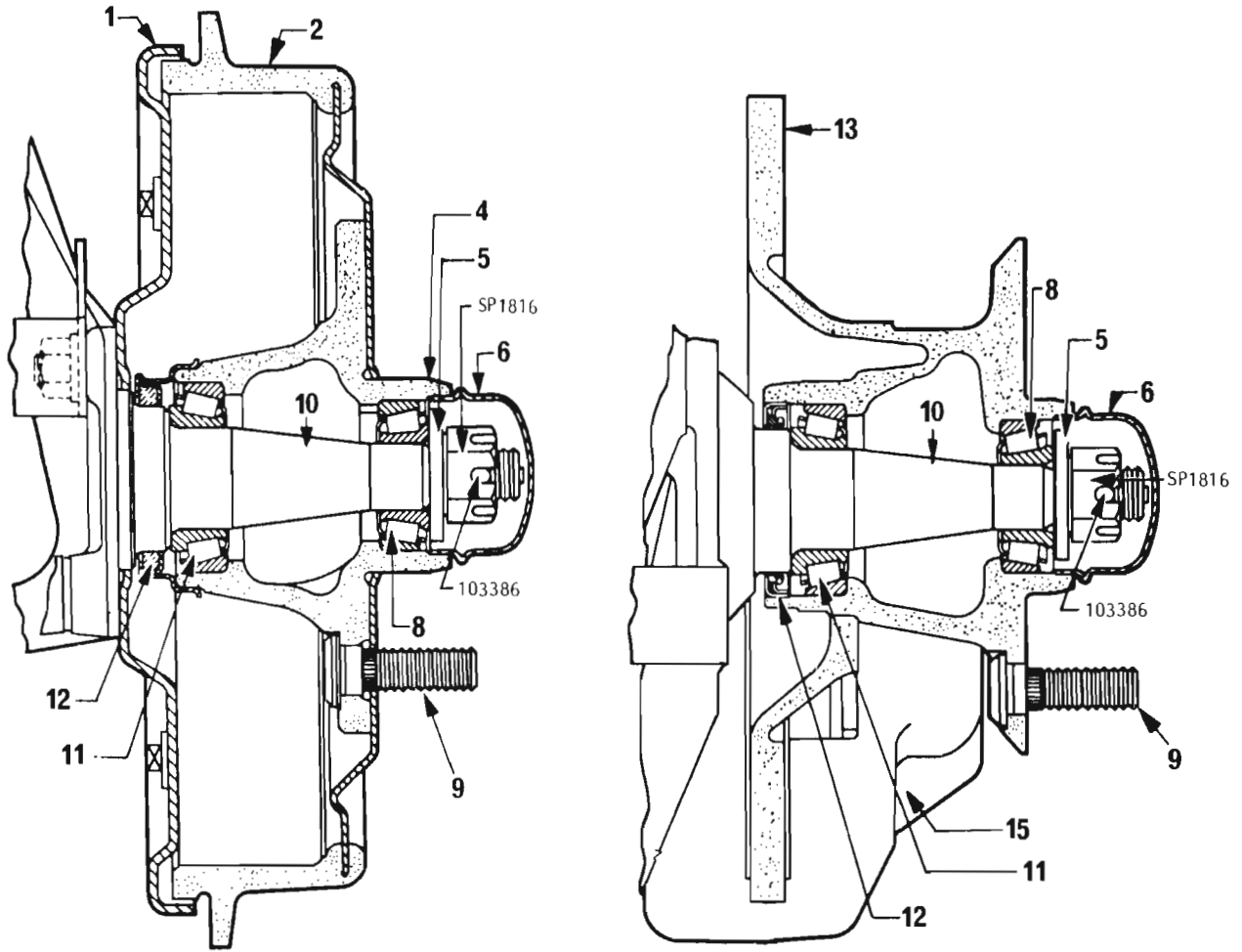
ILLUS. REF. NO.	PART NAME	GROUP	ILLUS. REF. NO.	PART NAME	GROUP
1.	BUSHING - To side member	6.008	4.	GEAR ASSY. - Steering	6.508
2.	WASHER - To side member	6.008	5.	MOUNT & WASHER ASSY.	6.008
3.	SHAFT - Front stabiliser	7.241	6.	MOUNT ASSY.	6.008



FRONT SUSPENSION and STEERING GEAR

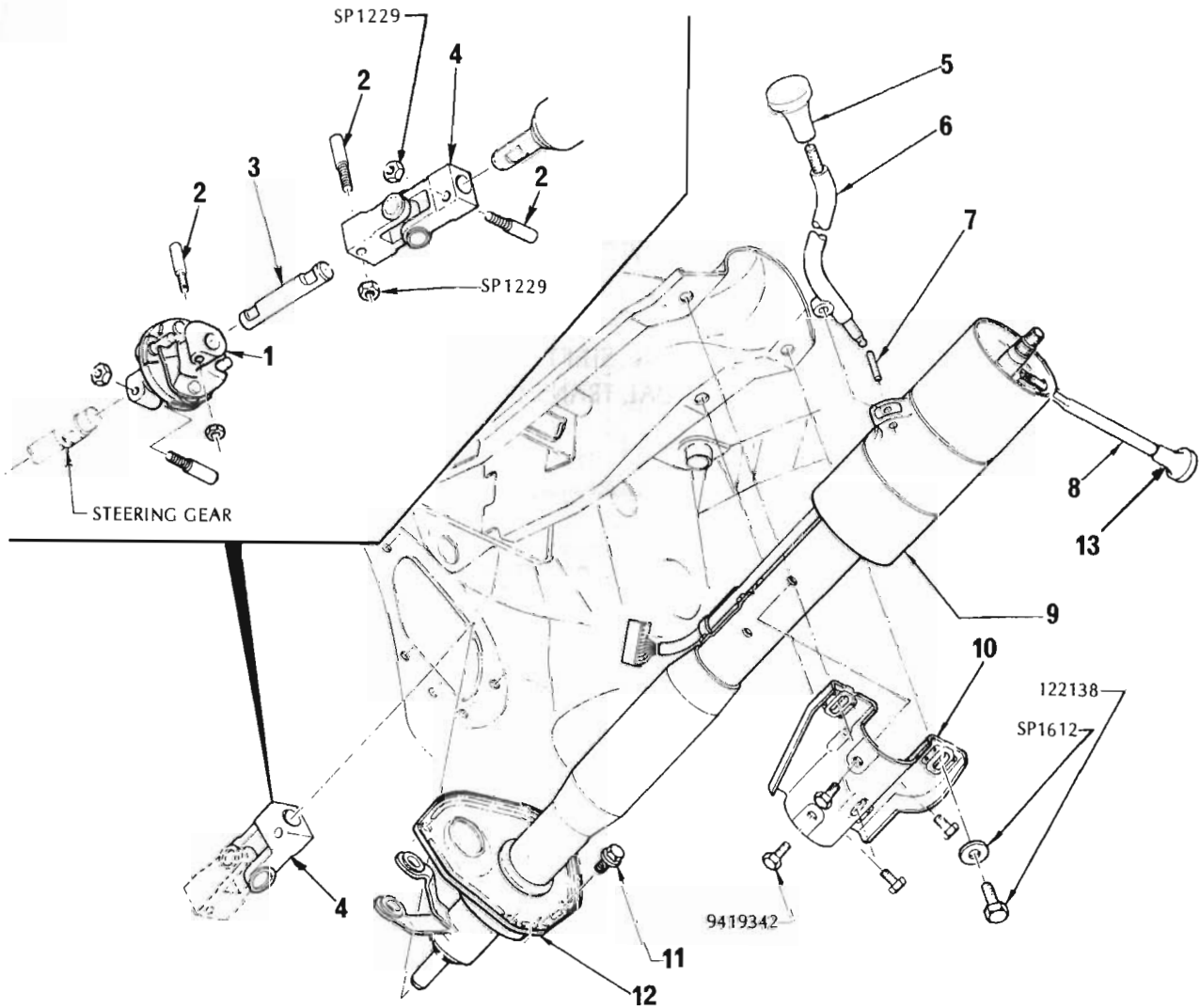
ILLUS. REF. NO.	PART NAME	GROUP
1.	DRUM ASSY. - Front	5.809
2.	KNUCKLE - Steering	6.020
3.	BOLT - Arm & ball joint to cross member ...	6.168
4.	BOLT - Front suspension to frame	6.008
5.	NUT - Shock absorber	7.370
6.	PLATE - Shock absorber	7.370
7.	BUSHING - Shock absorber	7.370
8.	ARM & BALL JOINT ASSY. - Upper control ..	6.168
9.	SHIM - Upper control shaft	6.163
10.	MEMBER ASSY.	6.008
11.	BOLT - Rd. hd. sq. neck 1/2" - 13 x 2.75" ..	6.509
12.	SPACER - Straight	6.509
13.	BOLT - Lower control arm to cross member ..	6.008
14.	SPRING - Front	6.361
15.	ARM & BALL JOINT ASSY. - Lower control ..	6.168
16.	SPACER - Flanged	6.509
17.	INSULATOR	6.509
18.	GEAR ASSY. - Steering	6.508
19.	SHOCK ABSORBER ASSY.	7.345
20.	BUMPER - Lower	6.176
21.	HUB & DISC ASSY.	6.307
22.	NUT - Lower control arm to cross member ...	6.008





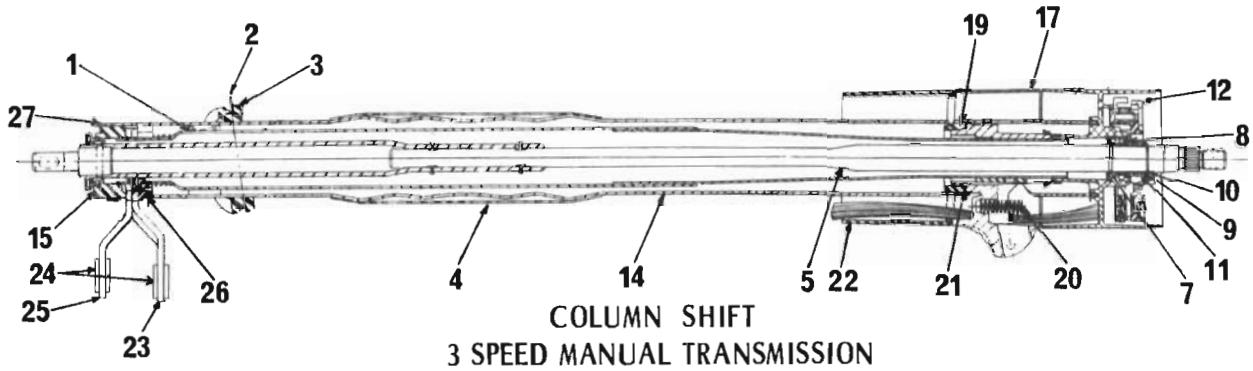
FRONT WHEEL HUB

ILLUS. REF. NO.	PART NAME	GROUP	ILLUS. REF. NO.	PART NAME	GROUP
1.	PLATE - Backing	5.001	9.	BOLT - Wheel hub	5.812
2.	DRUM ASSY. - Brake	5.809	10.	KNUCKLE - Steering	6.020
4.	HUB	6.307	11.	BEARING ASSY. - Front wheel, inner	6.311
5.	WASHER - Spindle nut	6.321	12.	SEAL - Front wheel bearing	6.326
6.	COVER - Front wheel bearing	5.858	13.	HUB & DISC ASSY.	6.307
8.	BEARING ASSY. - Front wheel, outer	6.313	15.	CALIPER ASSY.	5.010

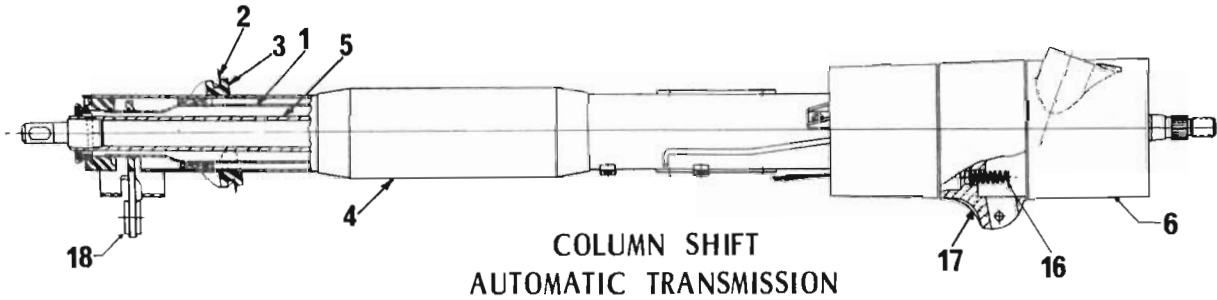


STEERING COLUMN and COUPLING

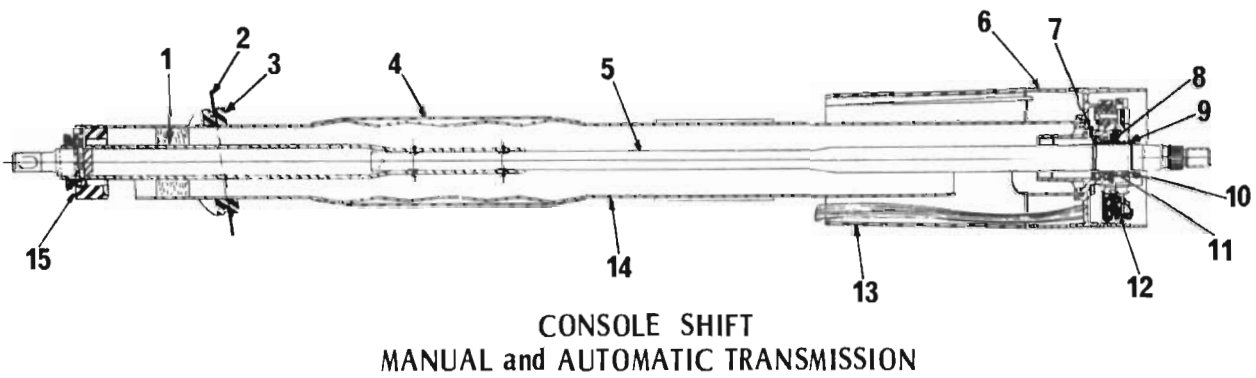
ILLUS. REF. NO.	PART NAME	GROUP
1.	COUPLING ASSY. - Inter. shaft to steering gear	6.524
2.	PIN - COTTER	6.524
3.	SHAFT - Intermediate	6.524
4.	COUPLING ASSY. - Steering shaft to inter. shaft	6.524
5.	KNOB - Gear shift lever	4.009
6.	LEVER - Gearshift control	4.006
7.	PIN - Gearshift lever	4.007
8.	SWITCH & LEVER ASSY. - Turn signal & dimmer	2.895
9.	COLUMN ASSY. - Steering	6.508
10.	BRACKET & CAPSULE ASSY.	6.760
11.	SCREW - Column to floor	6.508
12.	COVER - Column to floor	6.758
13.	KNOB - Turn signal lamp switch	2.897



COLUMN SHIFT
3 SPEED MANUAL TRANSMISSION



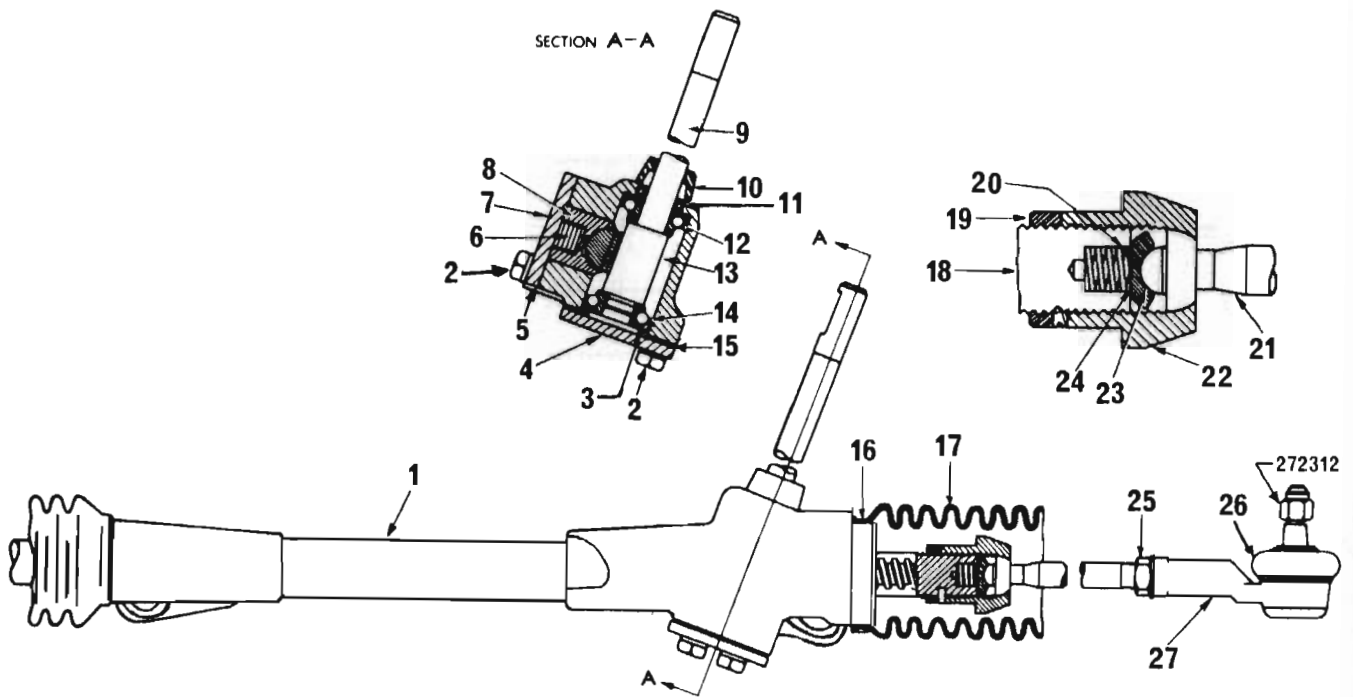
COLUMN SHIFT
AUTOMATIC TRANSMISSION



CONSOLE SHIFT
MANUAL and AUTOMATIC TRANSMISSION

STEERING COLUMN

ILLUS. REF. NO.	PART NAME	GROUP	ILLUS. REF. NO.	PART NAME	GROUP
1.	INSULATOR - Steering column	6.758	15.	ADAPTOR & BEARING ASSY. - Shaft lower	6.524
2.	COVER - Column to floor	6.758	16.	SPRING - Lever anti-rattle	4.017
3.	INSULATOR - Column to floor	6.758	17.	SUPPORT - Transmission control lever	4.018
4.	COVER - Steering column jacket	6.518	18.	INSULATOR	4.040
5.	SHAFT ASSEMBLY - Steering	6.524	19.	SPACER - Support	4.018
6.	HOUSING - Steering column	6.518	20.	SPRING - Selector return	4.017
7.	RETAINER - Steering shaft upper	6.521	21.	WASHER - Support	4.018
8.	WASHER - Spring	6.521	22.	COVER - Steering column, lower	6.518
9.	WASHER - .75" x 1.00" x .0478" spring	6.521	23.	LEVER ASSY. - Lower	4.019
10.	RING - Steering shaft upper	6.521	24.	INSULATOR - Trunion	4.019/4.020
11.	SPRING - Steering shaft upper	6.521	25.	LEVER - Lower	4.020
12.	SWITCH ASSY. - Turn signal lamp	2.895	26.	RETAINER - Lower lever	4.019
13.	COVER - Gearshift column, upper	6.518	27.	CLIP - Adaptor	6.524
14.	JACKET ASSY. - Steering column	6.518			



STEERING GEAR ASSEMBLY

ILLUS. REF. NO.	PART NAME	GROUP	ILLUS. REF. NO.	PART NAME	GROUP
1.	HOUSING ASSY. - Rack & pinion	6.803	15.	SHIM - Pinion cover plate	6.809
2.	BOLT - 5/16" - 18 x 7/8"	6.807	16.	CLIP - Boot	6.255
3.	SPACER - Pinion, lower	6.524	17.	BOOT	6.255
4.	PLATE - Pinion cover	6.807	18.	RACK	6.525
5.	SHIM - Cover plate	6.809	19.	NUT	6.235
6.	SPRING - Cover plate	6.807	20.	SPRING	6.235
7.	PLATE - Yoke support cover	6.807	21.	ROD ASSEMBLY - Tie	6.230
8.	YOKE - Rack support	6.525	22.	HOUSING - Tie rod ball	6.235
9.	PINION	6.524	23.	SEAT	6.235
10.	SEAL - Pinion dust	6.809	24.	DISC - Backing	6.235
11.	SEAL - Pinion oil	6.809	25.	NUT - Lock	6.234
12.	BEARING ASSEMBLY	6.530	26.	BOOT	6.233
13.	SPACER - Pinion upper	6.524	27.	SOCKET ASSEMBLY	6.233
14.	BEARING ASSEMBLY	6.530			

TORANA "LX" PARTS CATALOGUE

GROUP	DESCRIPTION	MODEL	SIDE	PART No.	QTY.
6.007	FRONT SUSPENSION ASSEMBLY				
	CURRENT PRODUCTION FRONT SUSPENSION ASSEMBLIES WILL BE SUPPLIED ON A FIRM ORDER BASIS.				
6.008	MEMBER, MOUNTING, BRACKET – Front suspension				
	MEMBER ASSY.	4 Cyl. Eng.		9928506	1
	MEMBER ASSY.	6, 8 Cyl. Eng.		2823939	1
	MOUNTING ASSY.	ALL		2808856	4
	MOUNTING & WASHER ASSY.	ALL		9932122	4
	NUT - Locking 7/16" - 14	ALL		SP2516	4
	BUSHING - To side member	ALL		7211458	2
	WASHER - To side member	ALL		7205937	2
	BOLT - Front suspension to frame	ALL		SP2589	2
	WASHER - Front suspension to frame	ALL		120389	2
	NUT - Front suspension to frame	ALL		9422299	2
	BRACKET ASSY. - Power plant mounting	4 Cyl. Eng.	LH	9933101	1
			RH	9933100	1
	BRACKET ASSY. - Power plant mounting	6, 8 Cyl Eng.	LH	9932291	1
			RH	9932290	1
	BOLT - Lower control arm to cross member	ALL		SP2452	4
	NUT - Lower control arm to cross member	ALL		9422301	4
	NUT - Steering gear assy. to cross member	ALL		SP2561	2
	BOLT - Front suspension to frame	ALL		9930779	4
6.020	KNUCKLE – Steering				
	KNUCKLE	Drum Brakes		7448795	2
	KNUCKLE	Disc Brakes	LH	9934548	1
			RH	9934547	1
	NUT - Knuckle to upper control arm	ALL		102647	2
	NUT - Knuckle to lower control arm	ALL		102648	2
	PIN - Knuckle to control arms	ALL		11076681	4
	NUT - Hub assy. to knuckle	ALL		SP1816	2
	PIN - Hub assy. to knuckle	ALL		11079751	2
6.103	ARM – Steering				
	ARM	ALL	LH	9928329	1
			RH	9928328	1
	BOLT - Steering arm to knuckle hex. hd. 7/16" - 14 x 1 1/4"	ALL		180147	2
	BOLT - Steering arm to knuckle hex. hd. 7/16" - 20 x 2 1/4"	ALL		181407	2
	NUT - Steering arm to knuckle hex., lock 7/16" - 20 ..	ALL		9422280	2
	WASHER - Steering arm to knuckle	ALL		120383	2
6.163	SHIM – Upper control shaft				
	SHIM - .030"	ALL		2812095	A.R.
	SHIM - .059"	ALL		2812096	A.R.
	SHIM - 120"	ALL		2812097	A.R.
6.164	SHAFT, BUSHING, RETAINER – Upper control arm				
	SHAFT	ALL		2809219	2
	NUT - Shaft to control arm	ALL		9422286	4
	BUSHING	ALL		2805510	4
	RETAINER - Bushing	ALL		2805728	4
6.168	ARM, BALL JOINT – Control				
	ARM & BALL JOINT ASSY. - Upper control	ALL		2824374	2
	BOLT - Arm & ball joint to cross member	ALL		381909	4
	NUT - Arm & ball joint to cross member	ALL		9422299	4
	BALL JOINT KIT - Upper	ALL		9932810	2
	RIVET - Ball joint to control arm	ALL		104251	8
	FITTING - Lubrication, upper ball joint	ALL		9417892	2
	SEAL & CLAMP KIT - Upper ball joint	6 Cyl. Eng.		5679626	2
	CLAMP - Upper ball joint seal	6 Cyl. Eng.		5679627	2
	ARM & BALL JOINT ASSY. - Lower control	ALL	LH	2824337	1
			RH	2824336	1

TORANA "LX" PARTS CATALOGUE

GROUP	DESCRIPTION	MODEL	SIDE	PART No.	QTY.
6.168	ARM, BALL JOINT – Control (contd.)				
	BALL JOINT ASSY. - Lower control	ALL		5693552	2
	FITTING - Lubrication, lower ball joint	ALL		9417891	2
	SEAL & CLAMP KIT - Lower ball joint	ALL		5679629	2
	CLAMP - Lower ball joint seal	6 Cyl. Eng.		5679630	2
6.170	BUSHING – Lower control arm				
	BUSHING	ALL		2807098	4
6.176	BUMPER – Control arm				
	BUMPER - Upper	ALL		384220	2
	BUMPER - Lower	ALL		402410	2
	NUT - Bumper to lower control arm	ALL		9418931	2
6.230	ROD – Steering tie				
	ROD	ALL		VS12508	2
6.233	SOCKET – Steering tie rod ball				
	SOCKET ASSY. - Left end	ALL		9931635	1
	SOCKET ASSY. - Right end	ALL		9931634	1
	BOOT	ALL		2809115	2
	NUT - Socket to steering arm	ALL		272312	2
	PIN - Socket to steering arm	ALL		11079773	2
	FITTING - Socket	ALL		9411027	2
6.234	NUT – Steering gear tie rod				
	NUT - Ball socket lock	ALL		VS11218	2
6.235	HOUSING, SEAT, SPRING, NUT – Steering tie rod ball				
	HOUSING	ALL		VS12438	2
	SEAT	ALL		VS12509	2
	SPRING	ALL		VS12510	2
	NUT	ALL		VS12427	2
	DISC - Backing	ALL		VS12511	2
6.255	BOOT, CLIP – Tie rod				
	BOOT - Rack	ALL		VS12436	2
	CLIP - Boot to tie rod	ALL		VS11205	2
6.307	HUB – Front wheel				
	HUB - Front	Drum Brakes		9937169	2
	HUB & DISC ASSY.	Disc Brakes		2823461	2
6.311	BEARING – Front wheel inner				
	BEARING ASSY.	ALL		7413406	2
6.313	BEARING – Front wheel outer				
	BEARING ASSY.	ALL		7413409	2
6.321	WASHER – Outer bearing retainer				
	WASHER	ALL		7435914	2
6.326	SEAL – Front wheel bearing				
	SEAL ASSY.	Drum Brakes		2829925	2
	SEAL ASSY.	Disc. Brakes		9937294	2
6.361	SPRING – Front				
	SPRING - Regular, exc. air cond.	4 Cyl. Eng.		2825754	2
	SPRING - Regular, air cond.	4 Cyl. Eng.		9929187	2
	SPRING - Heavy duty, exc. air cond.	4 Cyl. Eng.		9931026	2

CHASSIS

TORANA "LX" PARTS CATALOGUE

GROUP	DESCRIPTION	MODEL	SIDE	PART No.	QTY.
6.361	SPRING – Front (contd.)				
	SPRING - Heavy duty, air cond.	4 Cyl. Eng.		9931027	2
	SPRING - Regular, exc. air cond.	VB, VC 6 Cyl. Eng.		2825754	2
	SPRING - Regular, air cond.	VB, VC 6 Cyl. Eng.		9929187	2
	SPRING - Heavy duty, exc. air cond.	VB, VC 6 Cyl. Eng.		9931026	2
	SPRING - Heavy duty, air cond.	VB, VC 6 Cyl. Eng.		9931027	2
	SPRING - Regular, exc. air cond.	VD 6 Cyl. Eng.		9931028	2
	SPRING - Regular, air cond.	VD 6 Cyl. Eng.		9932967	2
	SPRING - Heavy duty, exc. air cond.	VD 6 Cyl. Eng.		9931026	2
	SPRING - Heavy duty, air cond.	VD 6 Cyl. Eng.		9931027	2
	SPRING - Regular, exc. air cond.	VB, VC 8 Cyl. Eng.		9929187	2
	SPRING - Regular, air cond.	VB, VC 8 Cyl. Eng.		9928481	2
	SPRING - Heavy duty	VB, VC 8 Cyl. Eng.		9931027	2
	SPRING - Regular, exc. air cond.	VD 8 Cyl. Eng.		9932967	2
	SPRING - Regular, air cond.	VD 8 Cyl. Eng.		9931026	2
	SPRING - Heavy duty	VD 8 Cyl. Eng.		9931027	2
6.364	INSULATOR – Front spring				
	INSULATOR	RIGHT HAND DRIVE		7401998	A.R.
	INSULATOR	LEFT HAND DRIVE	RH	7401998	A.R.
	INSULATOR	Exc. Air Cond. LEFT HAND DRIVE	LH	7418196	A.R.
	INSULATOR	Air Cond. LEFT HAND DRIVE	LH	7429151	A.R.
6.508	COLUMN, GEAR – Steering				
	COLUMN ASSY.	(M) 3 Speed trans. 6 Cyl. Eng. RIGHT HAND DRIVE		9936145	1
	COLUMN ASSY.	(M) 4 Speed trans. 4 Cyl. Eng. RIGHT HAND DRIVE		9936143	1
	COLUMN ASSY.	(M) 4 Speed trans. 6 Cyl. Eng. RIGHT HAND DRIVE		9936142	1
	COLUMN ASSY.	(M) 8 Cyl. Eng. RIGHT HAND DRIVE		9936143	1
	COLUMN ASSY.	(M) Steering column shift LEFT HAND DRIVE		9928994	1
	COLUMN ASSY.	(M) Console shift LEFT HAND DRIVE		9928954	1
	COLUMN ASSY.	(A) Steering column shift RIGHT HAND DRIVE		9936146	1
	COLUMN ASSY.	(A) Console shift RIGHT HAND DRIVE		9936143	1
	COLUMN ASSY.	(A) 6 Cyl. Eng. Steering column shift LEFT HAND DRIVE		9928995	1
	COLUMN ASSY.	(A) Console shift LEFT HAND DRIVE		9928954	1
	GEAR ASSY.	RIGHT HAND DRIVE		9942632	1
		LEFT HAND DRIVE		9942633	1
	WASHER - Gear to cross member	ALL		SP1940	2
	NUT - Gear to cross member	ALL		SP2561	2
	SCREW - Column to floor	ALL		SP2628	4
6.509	BOLT, SPACER, INSULATOR – Steering gear to cross member				
	BOLT - Rd. hd. sq. neck 1/2" - 13 x 2.75"	ALL		SP2376	2
	SPACER - Straight	ALL		9933734	2
	SPACER - Flanged	ALL		2817345	2
	INSULATOR	ALL		2819595	4
6.513	WHEEL – Steering				
	WHEEL ASSY - Black	Standard Type		9935964CY	1
	WHEEL ASSY - Tan.	Standard Type		9935964DX	1
	WHEEL ASSY. - Covert.	Standard Type		9935964DY	1
	WHEEL ASSEMBLY	Sports Type		2817164	1
	NUT - 3/16" - 18 (stamped)	ALL		145496	1
	NUT - 3/16" - 18 (jam)	ALL		114497	1

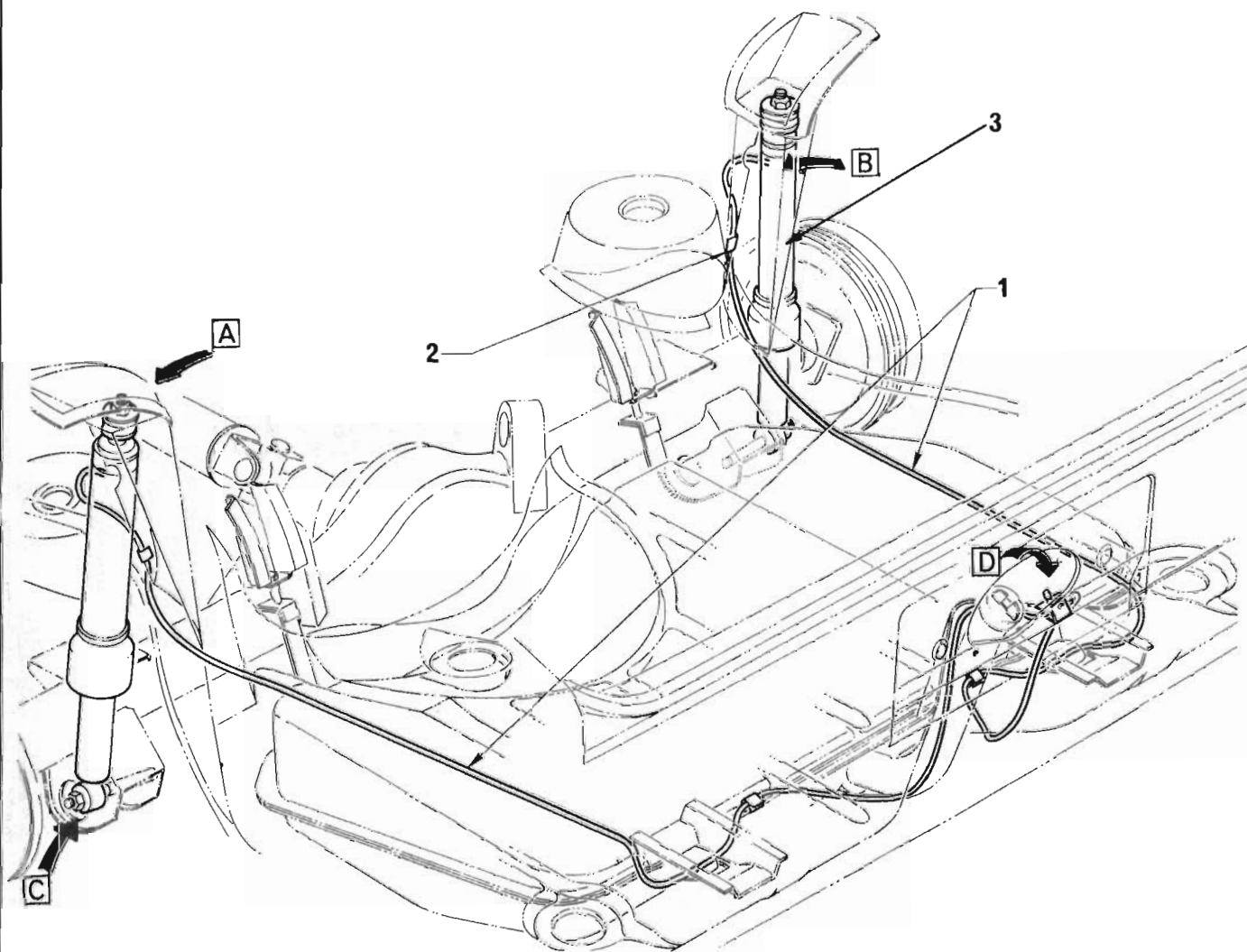
TORANA "LX" PARTS CATALOGUE

GROUP	DESCRIPTION	MODEL	SIDE	PART No.	QTY.
6.518	JACKET, COVER – Steering column				
	SCREW – Housing to jacket	ALL		SP2323	4
	CUP – Housing thrust	Steering Column shift		7804413	1
	JACKET ASSY.	Steering column shift			
		RIGHT HAND DRIVE		2825773	1
		LEFT HAND DRIVE		9928840	1
	JACKET ASSY.	Console shift	RIGHT HAND DRIVE	2825774	1
		LEFT HAND DRIVE		9928935	1
	COVER – Gearshift column, upper	Console Shift		2825780	1
	COVER – Steering column, lower	Steering Column Shift		2825779	1
	COVER – Steering column jacket	ALL		7433352	1
	SCREW – Lower cover to jacket	ALL		163158	2
	STRAP – Jacket	(M)		9933751	1
	STRAP – Jacket	(A) Console Shift		9933751	1
	SCREW – Strap to steering jacket	ALL		274762	2
6.521	BEARING – Steering shaft upper				
	BEARING ASSY	ALL		7800269	1
	RETAINER	ALL		5694191	1
	RING	ALL		5699603	1
	SPRING	ALL		7804771	1
	WASHER – Spring	ALL		7800580	1
	WASHER – .75" x 1.00" x .0478" spring	ALL		SP2113	1
6.524	SHAFT, COUPLING, PINION - Steering				
	SHAFT ASSEMBLY	ALL		9937944	1
	COUPLING ASSY. - Steering shaft to intermediate shaft	ALL		9941075	1
	SHAFT – Intermediate	ALL		9932192	1
	COUPLING ASSEMBLY - Intermediate shaft to steering gear	ALL		9933329	1
	PIN – Cotter	ALL		7211419	4
	NUT – Hex. ¼" – 28 self locking	ALL		SP1229	4
	PINION	RIGHT HAND DRIVE		VS12501	1
		LEFT HAND DRIVE		VS12502	1
	SPACER – Pinion upper	ALL		VS11214	1
	SPACER – Pinion lower	ALL		VS12429	1
6.524	BEARING, ADAPTOR – Steering shaft lower				
	BEARING ASSEMBLY	ALL		7805700	1
	ADAPTOR & BEARING ASSY.	ALL		9935030	1
	ADAPTOR – Bearing	ALL		9933750	1
	CLIP – Adaptor	ALL		9930461	1
6.525	RACK, YOKE – Steering gear				
	RACK	6 Cyl. Eng.	RIGHT HAND DRIVE	VS12426	1
			LEFT HAND DRIVE	VS12441	1
	YOKE – Rack support	6 Cyl. Eng.		VS12503	1
6.530	BEARING – Steering gear				
	BEARING	ALL		7156338	2
6.758	COVER, INSULATOR – Steering column				
	COVER – Column to floor	(M) 4, 8 Cyl. Eng.	RIGHT HAND DRIVE	9936111	1
	COVER – Column to floor	(M) 6 Cyl. Eng.	RIGHT HAND DRIVE	9936110	1
	COVER – Column to floor	(A)	RIGHT HAND DRIVE	9936111	1
	COVER – Column to floor		LEFT HAND DRIVE	2825504	1
	INSULATOR – Column to floor		RIGHT HAND DRIVE	9929065	1
			LEFT HAND DRIVE	9930033	1
	INSULATOR – Steering column	Steering Column Shift		2811742	1
	INSULATOR – Steering column	Console Shift		2824649	1

TORANA "LX" PARTS CATALOGUE

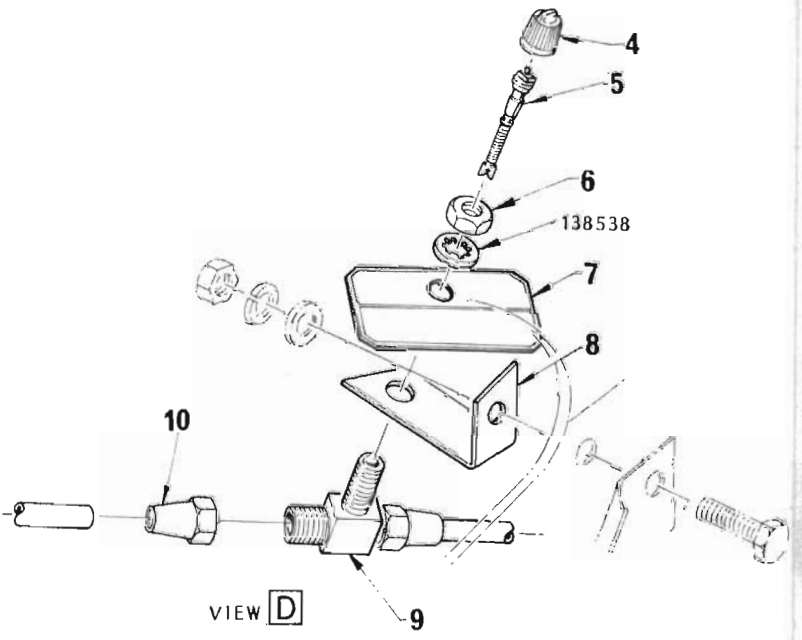
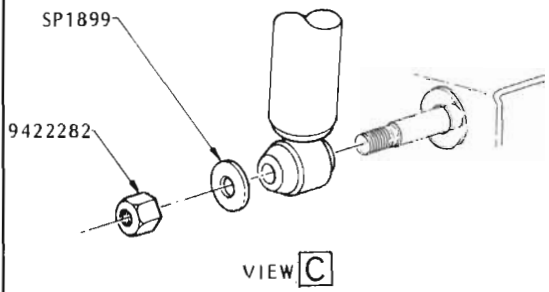
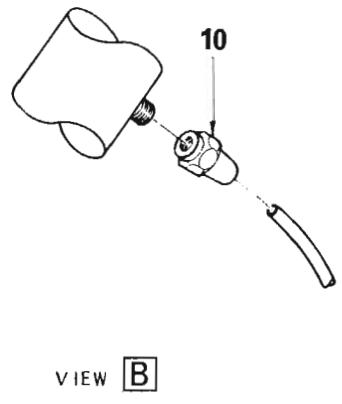
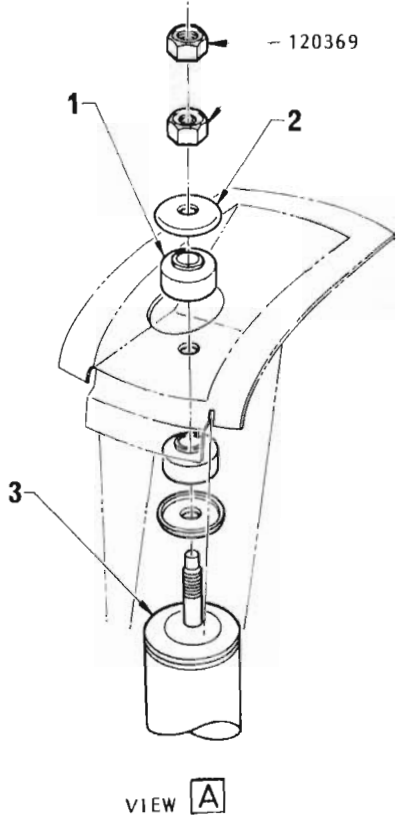
GROUP	DESCRIPTION	MODEL	SIDE	PART No.	QTY.
6.760	BRACKET and CAPSULE – Steering column support				
	BRACKET & CAPSULE ASSY	ALL		2822944	1
	BOLT - Bracket to brace	ALL		122138	3
	WASHER - Bracket to brace	ALL		SP1612	3
	BOLT - Bracket to column assy.	ALL		9419342	4
6.761	BRACE – Instrument panel to dash				
	BRACE	RIGHT HAND DRIVE		2823442	1
		LEFT HAND DRIVE		2824327	1
6.803	HOUSING – Steering gear				
	HOUSING ASSY. - Rack	RIGHT HAND DRIVE		VS12425	1
		LEFT HAND DRIVE		VS12440	1
6.807	PLATE, SPRING – Steering gear housing				
	PLATE - Pinion cover	ALL		7216575	1
	PLATE - Yoke support cover	ALL		VS12527	1
	SPRING - Yoke support cover plate	ALL		VS12504	1
	BOLT - $\frac{3}{16}$ " - 18 x $\frac{7}{16}$ "	ALL		VS12439	4
6.809	SEAL, SHIM, GASKET – Steering gear housing cover and plate				
	SEAL - Pinion oil	ALL		6397763	1
	SHIM - Pinion cover plate .0024"	ALL		6397760	A.R.
	SHIM - Pinion cover plate .005"	ALL		6397761	A.R.
	SHIM - Pinion cover plate .010"	ALL		VS11210	A.R.
	SHIM - Pinion cover plate .015"	ALL		VS11211	A.R.
	SHIM - Pinion cover plate .020"	ALL		VS11212	A.R.
	GASKET - Pinion cover plate	ALL		7216579	1
	SEAL - Pinion dust	ALL		7171275	1
	SHIM - Yoke support plate .0025"	ALL		VS12432	A.R.
	SHIM - Yoke support plate .005"	ALL		VS12433	A.R.
	SHIM - Yoke support plate .010"	ALL		VS12434	A.R.
	GASKET - Yoke support plate	ALL		VS12435	1

GROUP 7.000
FRAME—SPRINGS—BUMPERS



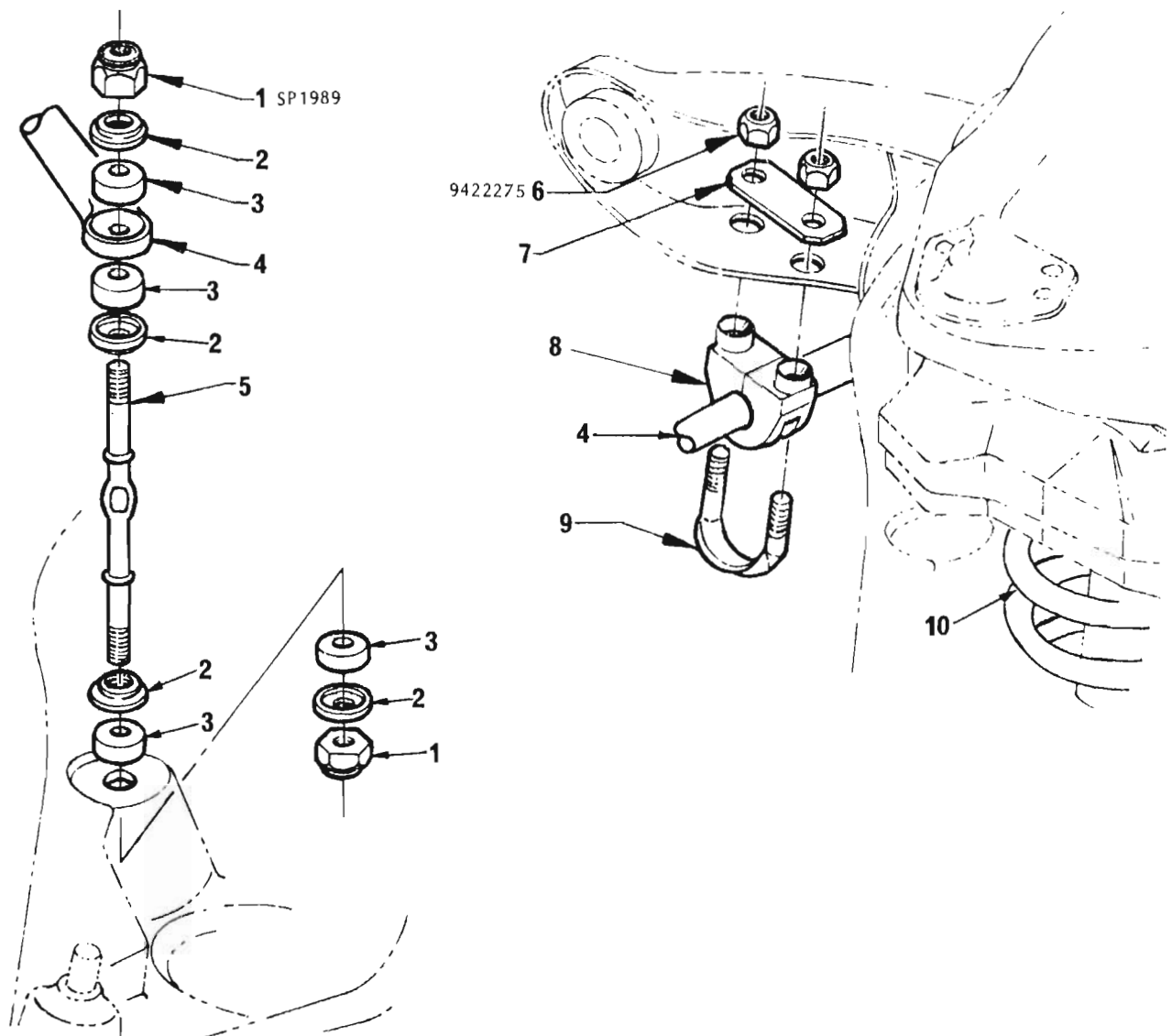
REAR SHOCK ABSORBER – Superlift

ILLUS. REF. NO.	PART NAME	GROUP
1.	TUBE – Inflation	7.347
2.	CLIP – Air tube	7.347
3.	SHOCK ABSORBER ASSY.	7.345



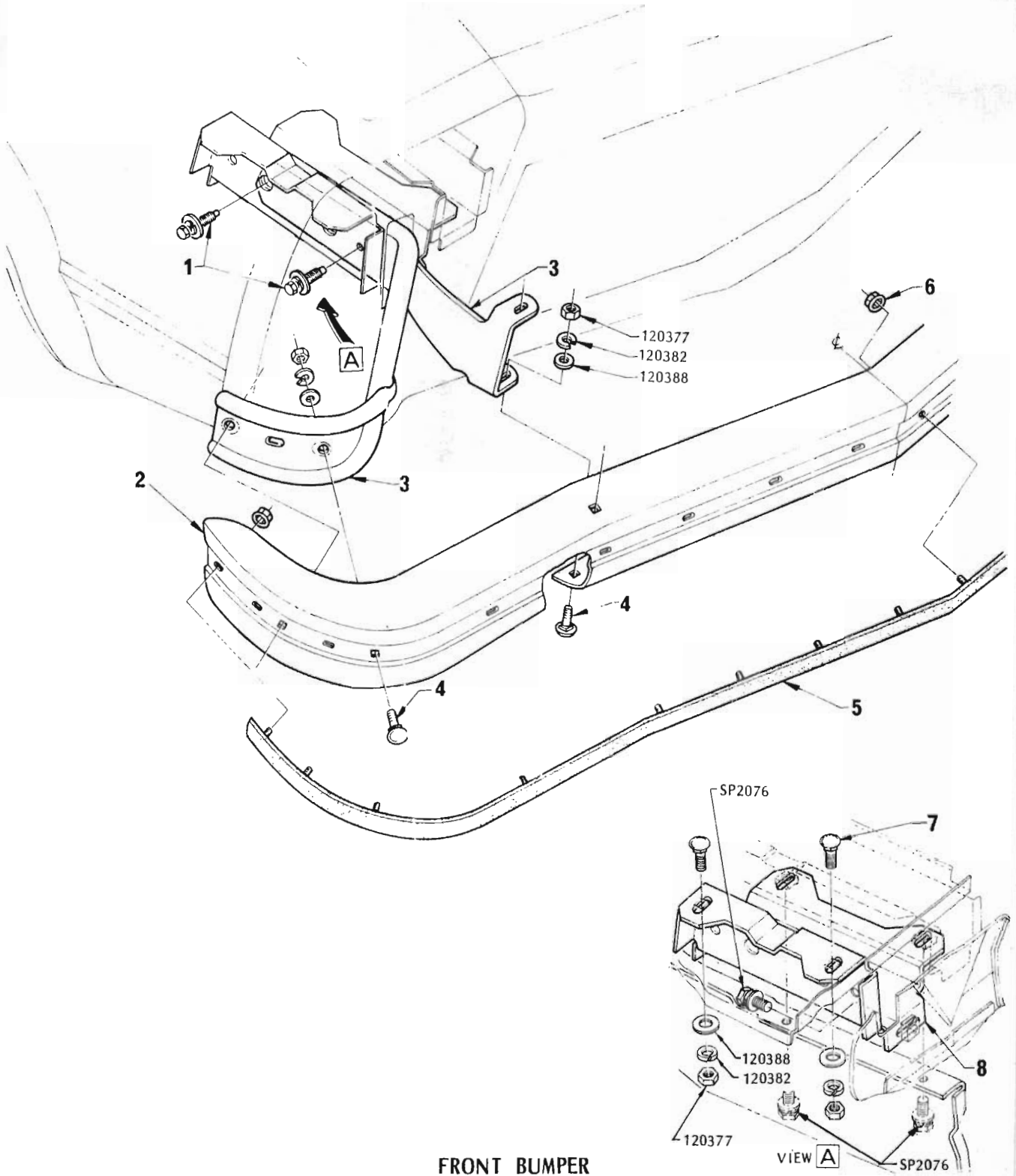
REAR SHOCK ABSORBER — Superlift

ILLUS. REF. NO.	PART NAME	GROUP
1.	BUSHING — Shock absorber to mounting	7.370
2.	PLATE — Shock absorber to mounting	7.370
3.	SHOCK ABSORBER ASSY.	7.345
4.	CAP — Air valve	7.347
5.	CORE ASSY. — Air valve	7.347
6.	NIJT — Air valve stem	7.347
7.	TAG — Caution	7.345
8.	BRACKET — Tee support	7.347
9.	BODY — Tee valve	7.347
10.	NUT — Flared	7.347



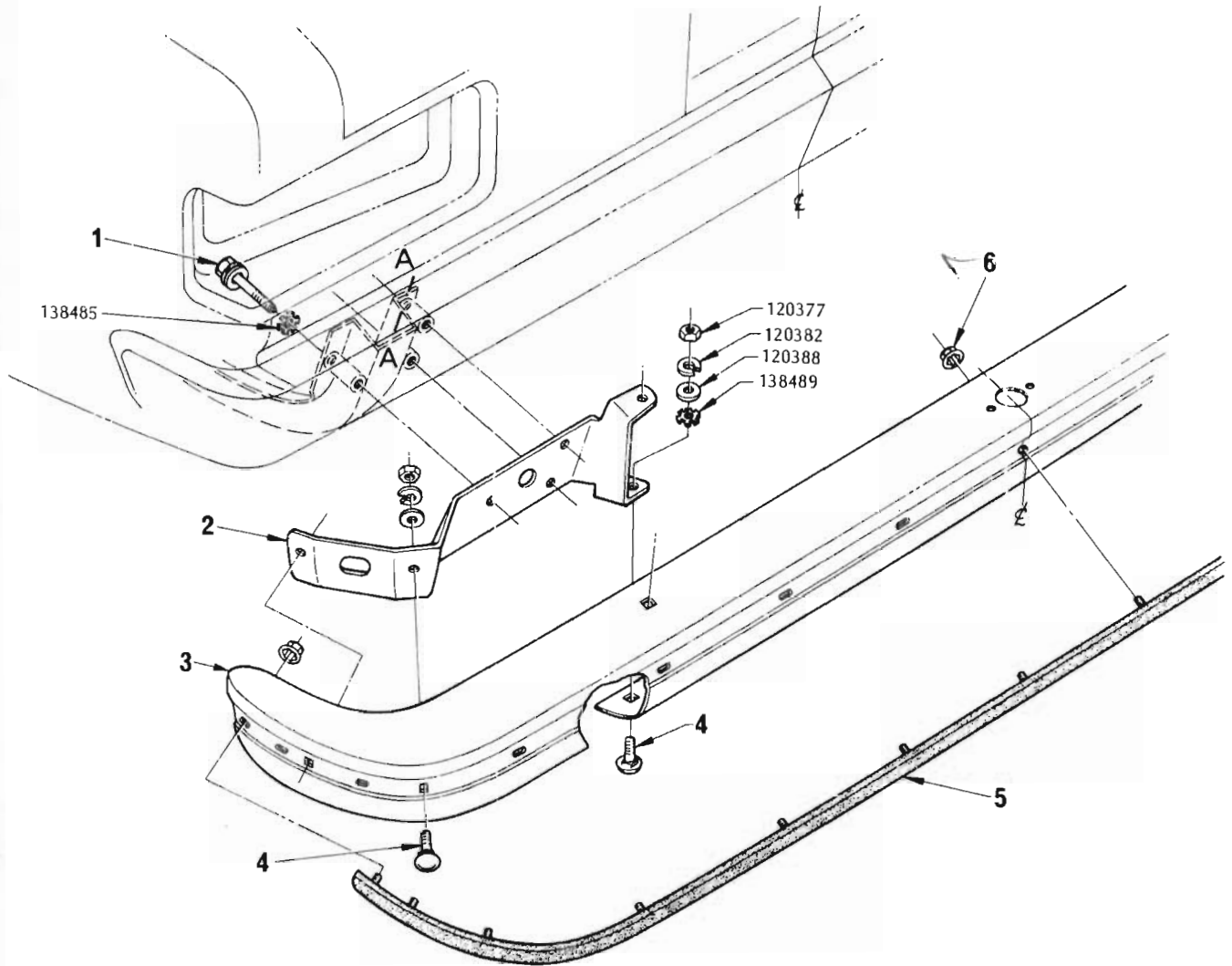
FRONT STABILISER

ILLUS. REF. NO.	PART NAME	GROUP	ILLUS. REF. NO.	PART NAME	GROUP
1.	NUT	7.243	6.	NUT	7.242
2.	RETAINER	7.243	7.	PLATE	7.242
3.	BUSHING	7.243	8.	INSULATOR	7.242
4.	SHAFT	7.241	9.	'U' BOLT	7.242
5.	STUD	7.240	10.	SPRING	6.361



FRONT BUMPER

ILLUS. REF. NO.	PART NAME	GROUP	ILLUS. REF. NO.	PART NAME	GROUP
1.	BOLT – Bracket to support	7.836	5.	STRIP – Rubbing	7.831
2.	BAR – Bumper face	7.831	6.	NUT – Rubbing strip	7.831
3.	BRACKET	7.836	7.	BOLT – Bracket support to frame	7.836
4.	BOLT – Face bar	7.852	8.	SUPPORT – Bracket	7.836



REAR BUMPER

ILLUS. REF. NO.	PART NAME	GROUP	ILLUS. REF. NO.	PART NAME	GROUP
1.	BOLT - Bar to rear end panel	7.836	4.	BOLT - Face bar	7.852
2.	BRACKET	7.836	5.	STRIP - Rubbing	7.831
3.	BAR - Bumper face	7.831	6.	NUT - Rubbing strip	7.831

TORANA "LX" PARTS CATALOGUE

GROUP	DESCRIPTION	MODEL	SIDE	PART No.	QTY.
7.240	STUD – Front stabiliser shaft				
	STUD	VD		2810771	2
7.241	SHAFT – Front stabiliser				
	SHAFT	VD		2824797	1
7.242	PLATE, INSULATOR – Front stabiliser shaft				
	PLATE	VD		9933563	2
	INSULATOR	VD		9933561	2
	"U" BOLT	VD		9933562	2
	NUT - Hex. self locking $\frac{3}{16}$ " - 18	VD		9422275	4
7.243	BUSHING, RETAINER, NUT – Front stabiliser				
	BUSHING	VD		7084112	8
	RETAINER	VD		43468	8
	NUT - Hex. $\frac{3}{8}$ " - 24 cone lock	VD		SP1989	4
7.345	SHOCK ABSORBER ASSEMBLY				
	SHOCK ABSORBER PACKAGE - Front - Regular ...	4, 6 Cyl. Eng. exc. VD		9930871	2
	SHOCK ABSORBER PACKAGE - Front - Regular ...	4.2 Litre Eng. exc. VD		9930872	2
	SHOCK ABSORBER PACKAGE - Front - Heavy duty	Exc. VD		9933764	2
	SHOCK ABSORBER PACKAGE - Front	VD		9933764	2
	SHOCK ABSORBER PACKAGE - Rear - Regular ...	Exc. VD		9933765	2
	SHOCK ABSORBER PACKAGE - Rear - Regular ...	VD		9933767	2
	SHOCK ABSORBER PACKAGE - Rear - Heavy duty	ALL		9933766	2
	SHOCK ABSORBER PACKAGE - Rear - Superlift ...	Sedan		9936485	1
	SHOCK ABSORBER ASSY - Rear - Superlift	ALL		4975503	2
	TAG - Caution use with superlift shock absorbers	ALL		2825280	1
7.347	TUBE and COMPONENTS – Superlift shock absorber air				
	TUBE - Inflation	ALL		9939393	2
	CLIP - Air tube	ALL		7426387	4
	NUT - Flared	ALL		3176207	2
	NUT - Air valve stem	ALL		7437584	1
	WASHER - Air valve stem	ALL		138538	1
	CORE ASSY - Air valve	ALL		7437586	1
	CAP - Air valve	ALL		7437585	1
	BODY - Tee valve	ALL		9935678	1
	BRACKET - Tee support	ALL		9932487	1
7.370	BUSHING, PLATE – Shock absorber mounting				
	BUSHING - Front shock absorber	ALL		9938689	4
	PLATE - Front shock absorber	ALL		7437268	4
	NUT - Front shock absorber	ALL		SP1989	2
	BOLT - Front shock absorber to lower arm	ALL		122007	4
	WASHER - Front shock absorber to lower arm	ALL		103320	4
	BUSHING - Rear, lower	Regular Shock Absorber		2815193	2
	BUSHING - Rear shock absorber to mounting	ALL		9938689	4
	PLATE - Rear shock absorber to mounting	ALL		7437268	4
	WASHER - Rear shock absorber to axle, flat	ALL		SP1899	2
	WASHER - Rear shock absorber to axle, lock	ALL		9429662	2
	NUT - Rear shock absorber to axle	ALL		9422282	2
	NUT - Rear shock absorber to upper mounting	ALL		120369	2
7.503	SPRING – Rear				
	SPRING - Regular	UG, UH, VB, VC		2824878	2
	SPRING - Regular	VD		2825058	2
	SPRING - Heavy duty	ALL		2825057	2

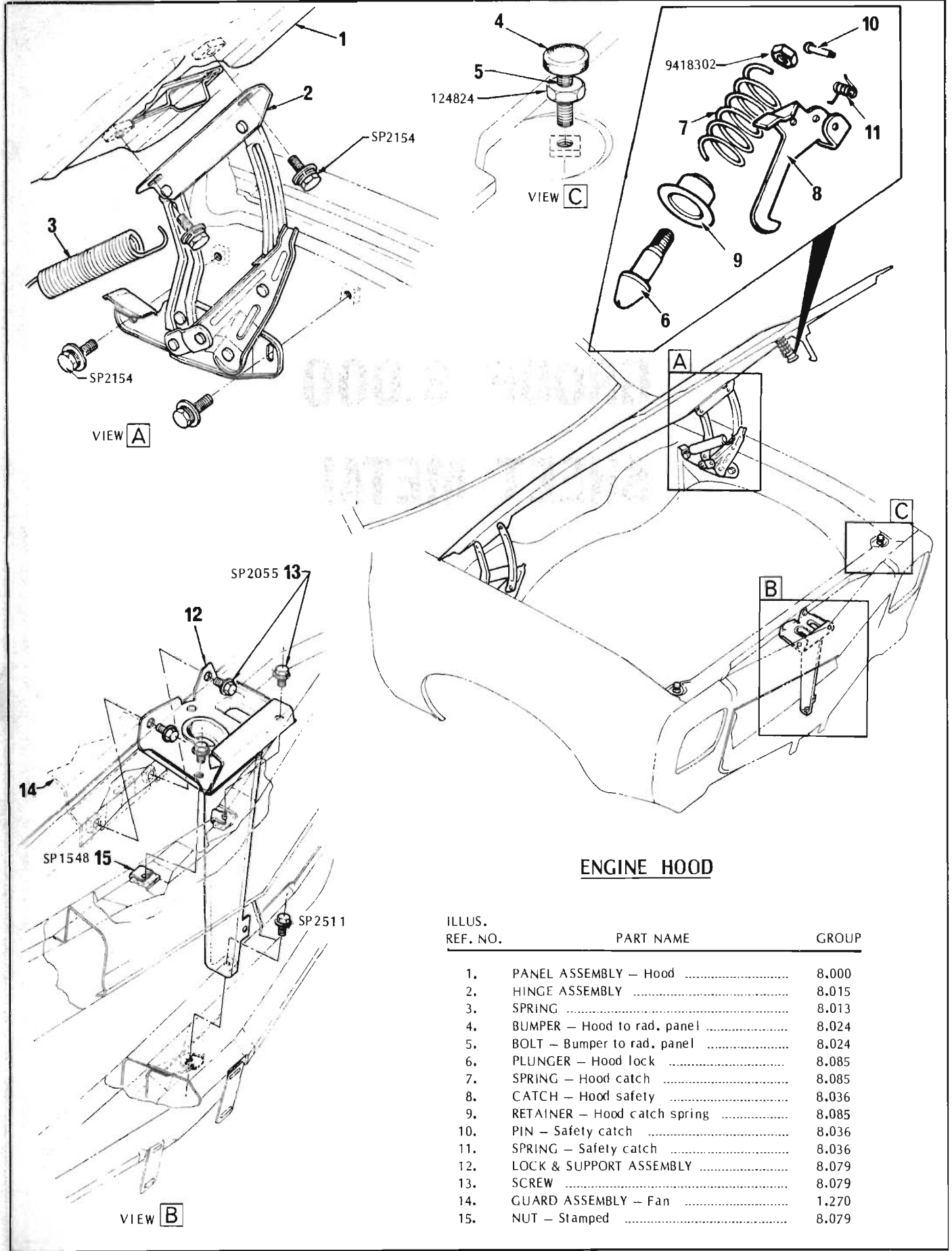
TORANA "LX" PARTS CATALOGUE

GROUP	DESCRIPTION	MODEL	SIDE	PART No.	QTY.
7.503	SPRING – Auxiliary rear				
	SPRING PACKAGE – Rubber	ALL		9941171	1
	SPRING – Rubber	ALL		9941170	2
7.535	BUMPER – Rear axle				
	BUMPER	ALL		2824800	2
7.545	INSULATOR – Rear spring seat				
	INSULATOR	ALL		2809189	2
7.632	BOLT – Spare wheel retaining				
	BOLT	4.50 x 13, wheels Sedan		SP2291	1
	BOLT	5.50 x 13, 6.00 x 13 wheels Sedan		SP2530	1
	RETAINER – Bolt	Sedan		2822340	1
	BOLT	Hatchback		SP2449	1
	RETAINER – Bolt	Hatchback		7430790	1
7.633	NUT – Spare wheel retaining				
	NUT – Mounting wing	ALL		9939401	1
7.796	BUMPER - Front licence plate mounting				
	BUMPER	Exc. air dam		7409209	2
	BUMPER	With air dam		7402561	2
	SCREW – Licence plate to air dam	ALL		9414722	2
	BOLT – Licence plate mounting	ALL		132908	2
	WASHER – Licence plate mounting, flat	ALL		120391	2
	WASHER – Licence plate mounting, lock	ALL		SP2442	2
	NUT – Licence plate mounting	ALL		120614	2
7.828	GUARD – Bumper bar				
	GUARD PACKAGE – Front	Sedan with rubbing strip		9933115	1
	GUARD PACKAGE – Front	UG, VB without rubbing strip		9933076	1
	GUARD – Front	with rubbing strip	LH	9933119	1
			RH	9933118	1
	GUARD PACKAGE – Rear	Sedan with rubbing strip		9933116	1
	GUARD PACKAGE – Rear	UG, VB without rubbing strip		9933077	1
	GUARD – Rear	with rubbing strip		9933117	2
	CLAMP – Guard to bumper	ALL		9933064	4
	NUT – Guard to bumper	ALL		120375	4
	WASHER – Guard to bumper	ALL		120380	4
7.831	BAR – Bumper face				
	BAR – Front – Plain	UG, VB		2824379	1
	BAR – Front – Drilled for rubbing strip	UG, UH, VB, VC		2825532	1
	BAR – Front – Drilled for rubbing strip	VD Sedan		2825532	1
	BAR – Front	VD Hatchback		9940359	1
	STRIP – Rubbing – Front bar	ALL		2825529	1
	NUT – Rubbing strip to front bar, stamped type "DF" ¼" – 20	ALL		9420234	16
	BAR – Rear – Plain	UG, VB		2824342	1
	BAR – Rear – Drilled for rubbing strip	UG, UH, VB, VC		2825732	1
	BAR – Rear – Drilled for rubbing strip	VD Sedan		2825732	1
	BAR – Rear	VD Hatchback		9940360	1
	STRIP – Rubbing – Rear bar	ALL		9928794	1
	NUT – Rubbing strip to rear bar, stamped type "DF" ¼" – 20	ALL		9420234	15
7.836	BRACKET – Bumper bar				
	BRACKET – Front	ALL	LH	2824621	1
			RH	2824620	1
	SUPPORT – Bracket	ALL		2824131	2

TORANA "LX" PARTS CATALOGUE

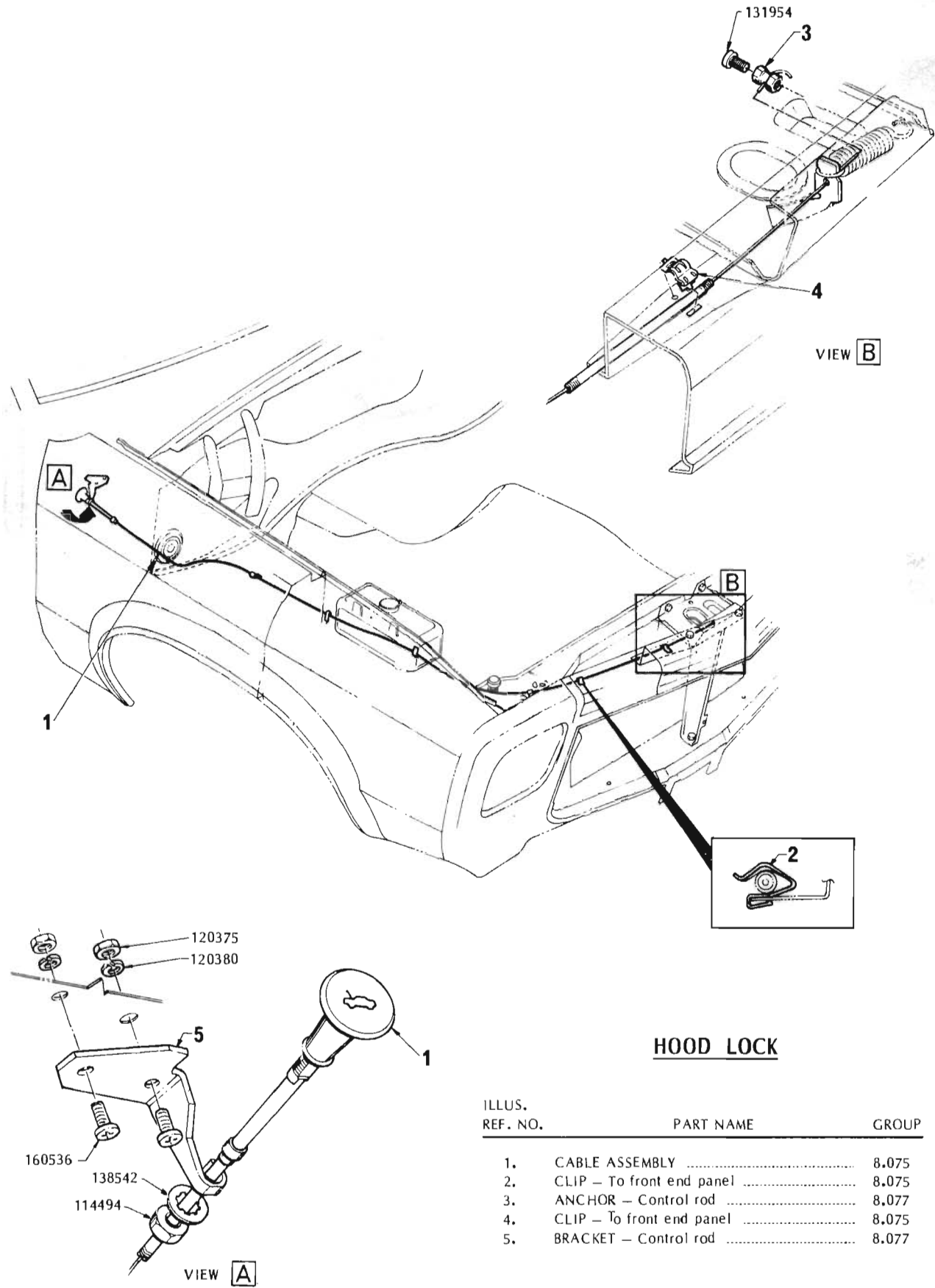
GROUP	DESCRIPTION	MODEL	SIDE	PART No.	QTY.
7.836	BRACKET – Bumper bar (contd.)				
	BRACKET - Rear	ALL	LH	2824727	1
			RH	2824726	1
	BOLT & WASHER - Support bracket to frame lower ..	ALL		SP2076	2
	NUT - Front bar to mounting bracket	ALL		120377	8
	WASHER - Front bar to mounting bracket	ALL		120382	8
	WASHER - Front bar to mounting bracket, flat	ALL		120388	8
	NUT - Support to frame upper	ALL		120377	4
	WASHER - Support to frame upper, lock	ALL		120382	4
	WASHER - Support to frame upper, flat	ALL		120388	4
	NUT - Rear bar to mounting bracket	ALL		120377	8
	WASHER - Rear bar to mounting bracket, lock	ALL		120382	8
	WASHER - Rear bar to mounting bracket, flat	ALL		120388	8
	BOLT - Front bar bracket to support, hex. hd. $\frac{3}{16}$ " - 16 x 1.25"	ALL		SP2499	4
	BOLT - Front bracket support to frame - Upper	ALL		SP2505	4
	BOLT - Rear bar to rear end panel, hex. hd. $\frac{5}{16}$ " - 18 x 2.25"	ALL		SP2360	6
	WASHER - Bracket to bumper bar, rear lamp earth ..	ALL		138489	1
	WASHER - Bracket to body, rear lamp earth	ALL		138485	1
	SPACER - Rear bar mounting, inner	ALL		2824663	2
	SPACER - Rear bar mounting, outer	ALL		2824664	2
7.852	BOLT – Bumper face bar				
	BOLT - Front bar to outer mounting bracket	UG, VB without rubbing strip		SP2365	4
	BOLT - Front bar to outer mounting bracket	with rubbing strip		455980	4
	BOLT - Front bar to inner mounting bracket - Upper	UG, UH, VB, VC,		SP2365	2
	BOLT - Front bar to inner mounting bracket - Upper	VD Sedan		SP2365	2
	BOLT - Front bar to inner mounting bracket - Upper	VD Hatchback		SP2625	2
	BOLT - Front bar to inner mounting bracket - Lower	UG, UH, VB, VC		455980	2
	BOLT - Front bar to inner mounting bracket - Lower	VD Sedan		455980	2
	BOLT - Front bar to inner mounting bracket - Lower	VD Hatchback		SP2625	2
	BOLT - Rear bar to outer mounting bracket	UG, VB without rubbing strip		SP2365	4
	BOLT - Rear bar to outer mounting bracket	with rubbing strip		455980	4
	BOLT - Rear bar to inner mounting bracket - Upper	UG, UH, VB, VC		SP2365	2
	BOLT - Rear bar to inner mounting bracket - Upper	VD Sedan		SP2365	2
	BOLT - Rear bar to inner mounting bracket - Upper	VD Hatchback		SP2625	2
	BOLT - Rear bar to inner mounting bracket - Lower	UG, UH, VB, VC		455980	2
	BOLT - Rear bar to inner mounting bracket - Lower	VD Sedan		455980	2
	BOLT - Rear bar to inner mounting bracket - Lower	VD Hatchback		SP2625	2
7.870	SHIELD – Front bumper stone				
	SHIELD	ALL	LH	2824817	1
			RH	2824816	1

GROUP 8.000
SHEET METAL



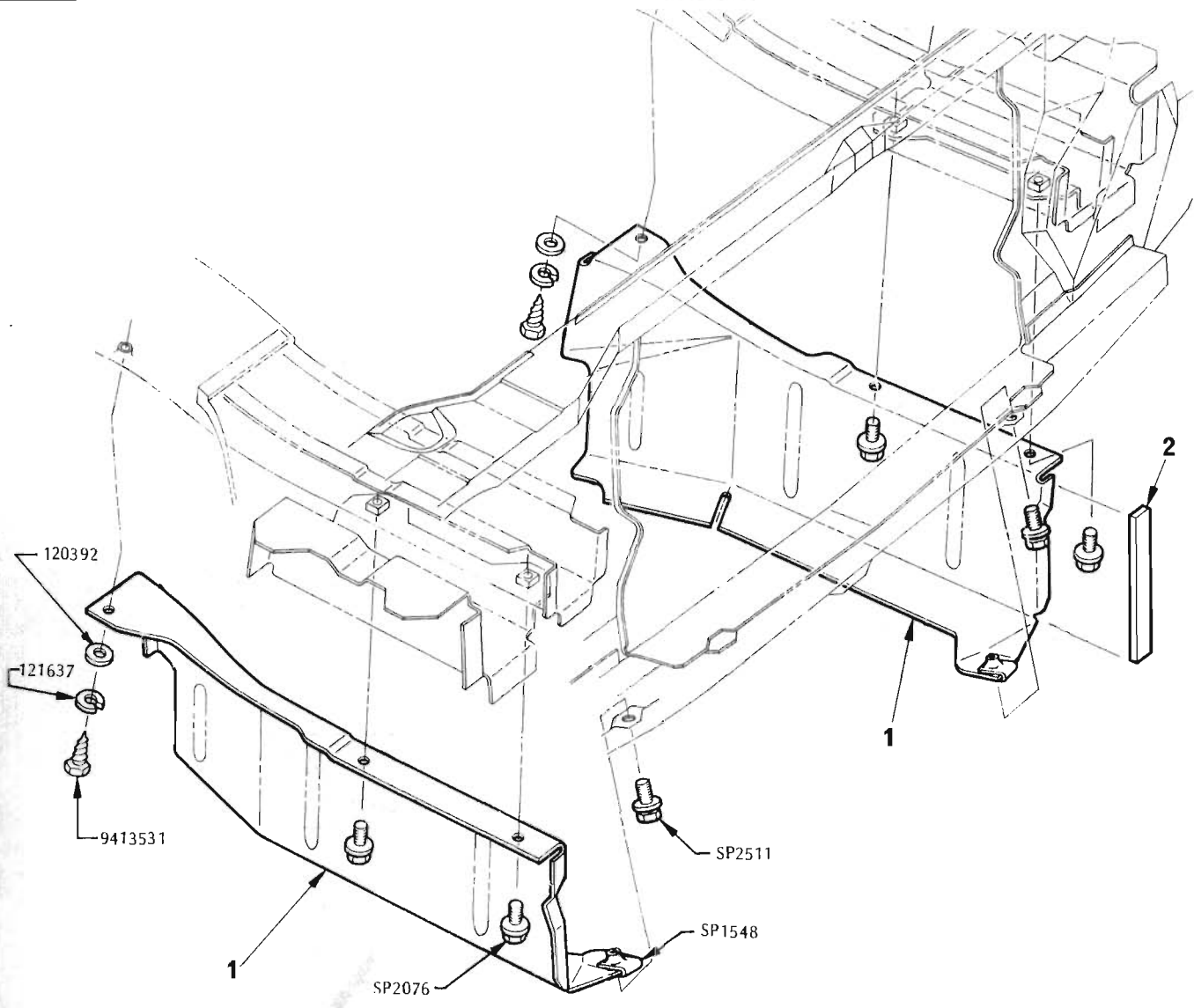
ENGINE HOOD

ILLUS. REF. NO.	PART NAME	GROUP
1.	PANEL ASSEMBLY – Hood	8.000
2.	HINGE ASSEMBLY	8.015
3.	SPRING	8.013
4.	BUMPER – Hood to rad. panel	8.024
5.	BOLT – Bumper to rad. panel	8.024
6.	PLUNGER – Hood lock	8.085
7.	SPRING – Hood catch	8.085
8.	CATCH – Hood safety	8.036
9.	RETAINER – Hood catch spring	8.085
10.	PIN – Safety catch	8.036
11.	SPRING – Safety catch	8.036
12.	LOCK & SUPPORT ASSEMBLY	8.079
13.	SCREW	8.079
14.	GUARD ASSEMBLY – Fan	1.270
15.	NUT – Stamped	8.079



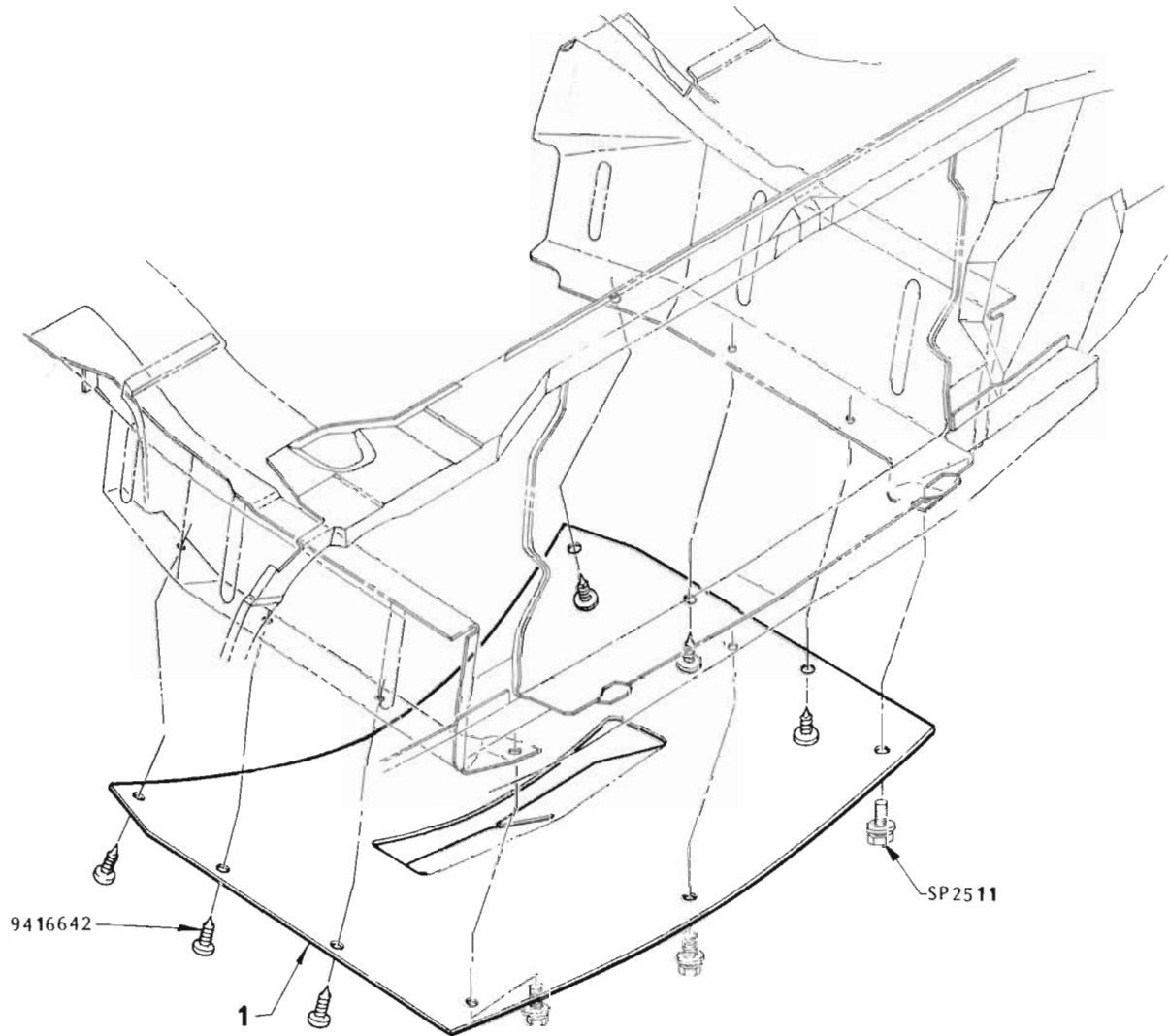
HOOD LOCK

ILLUS. REF. NO.	PART NAME	GROUP
1.	CABLE ASSEMBLY	8.075
2.	CLIP - To front end panel	8.075
3.	ANCHOR - Control rod	8.077
4.	CLIP - To front end panel	8.075
5.	BRACKET - Control rod	8.077



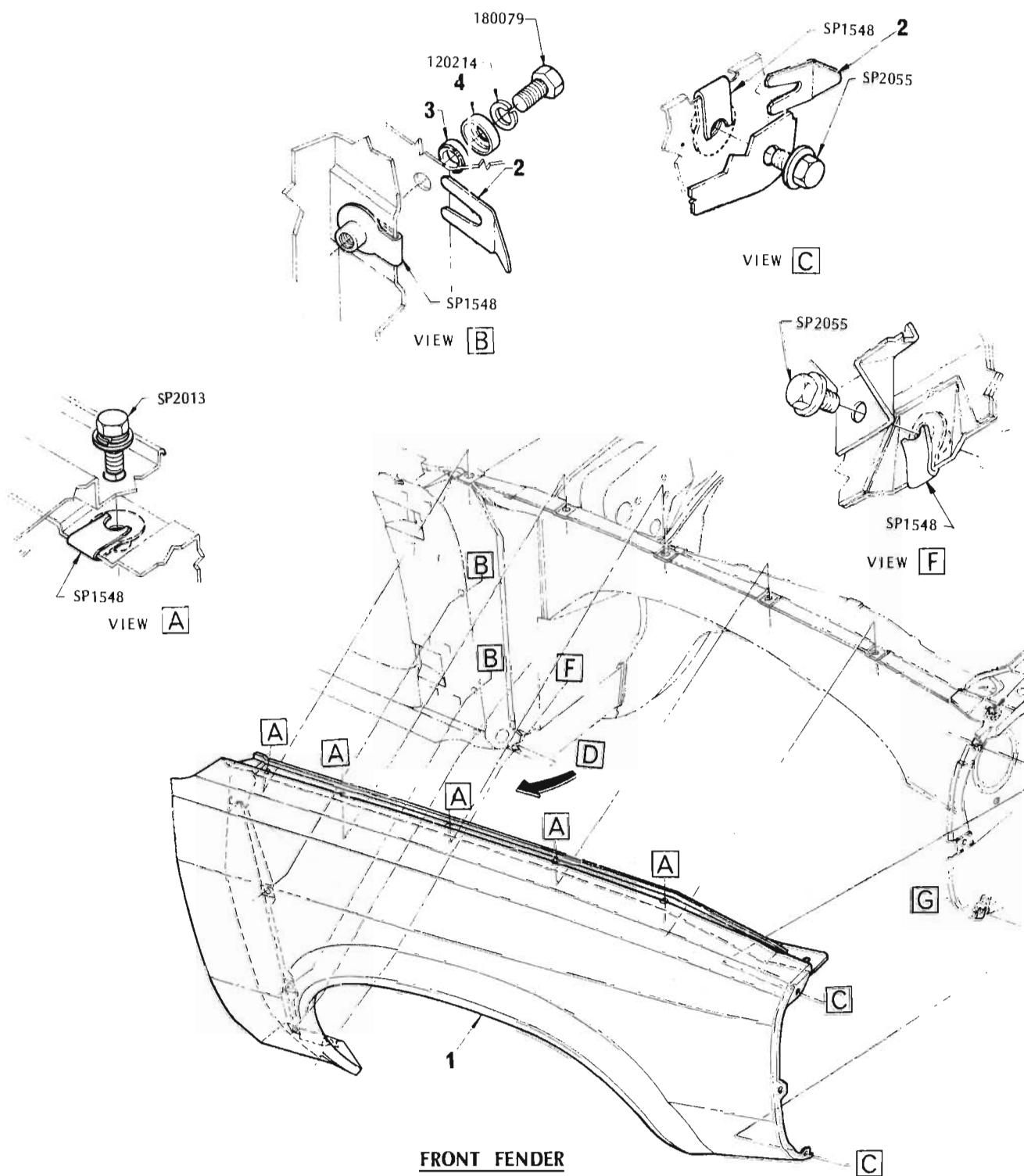
SIDE SPLASH GUARD

ILLUS. REF. NO.	PART NAME	GROUP	ILLUS. REF. NO.	PART NAME	GROUP
1.	GUARD - Side	8.112	2.	SEAL - Splash guard side	8.112

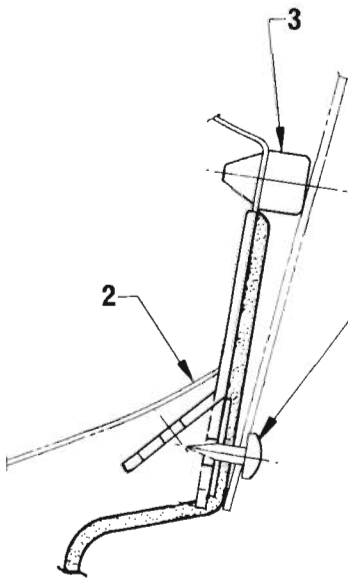
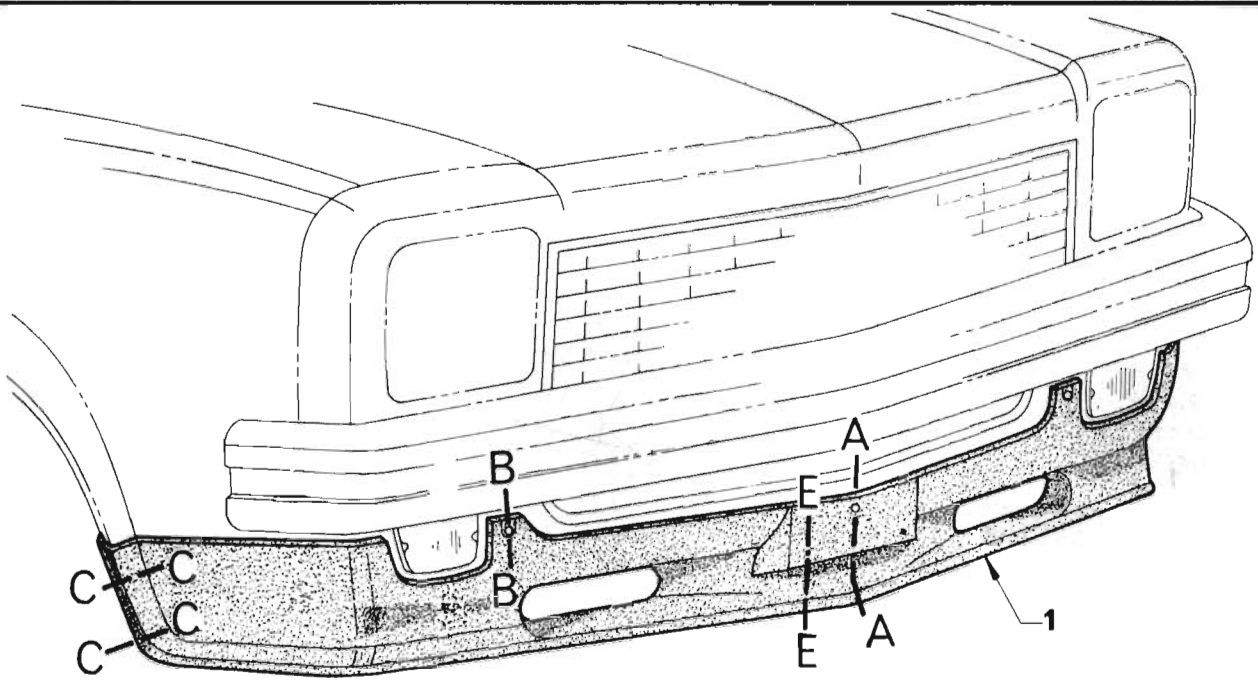


CENTRE SPLASH GUARD

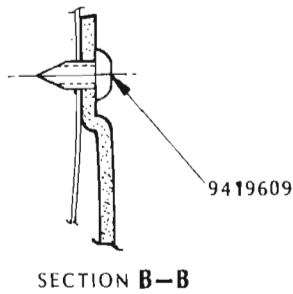
ILLUS. REF. NO.	PART NAME	GROUP
1.	GUARD - Centre	8.112



ILLUS. REF. NO.	PART NAME	GROUP
1.	FENDER ASSEMBLY	8.130
2.	SHIM - Front fender	8.143
3.	WASHER - Rubber	8.143
4.	WASHER - Cup	8.143



SECTION E-E



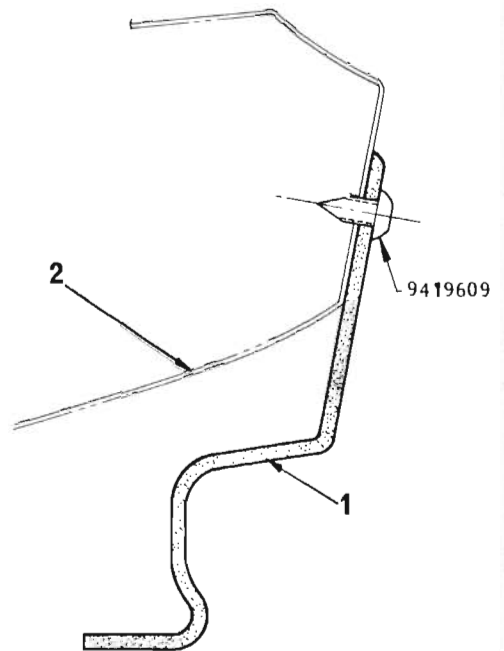
SECTION B-B

9414722

9419609

9419609

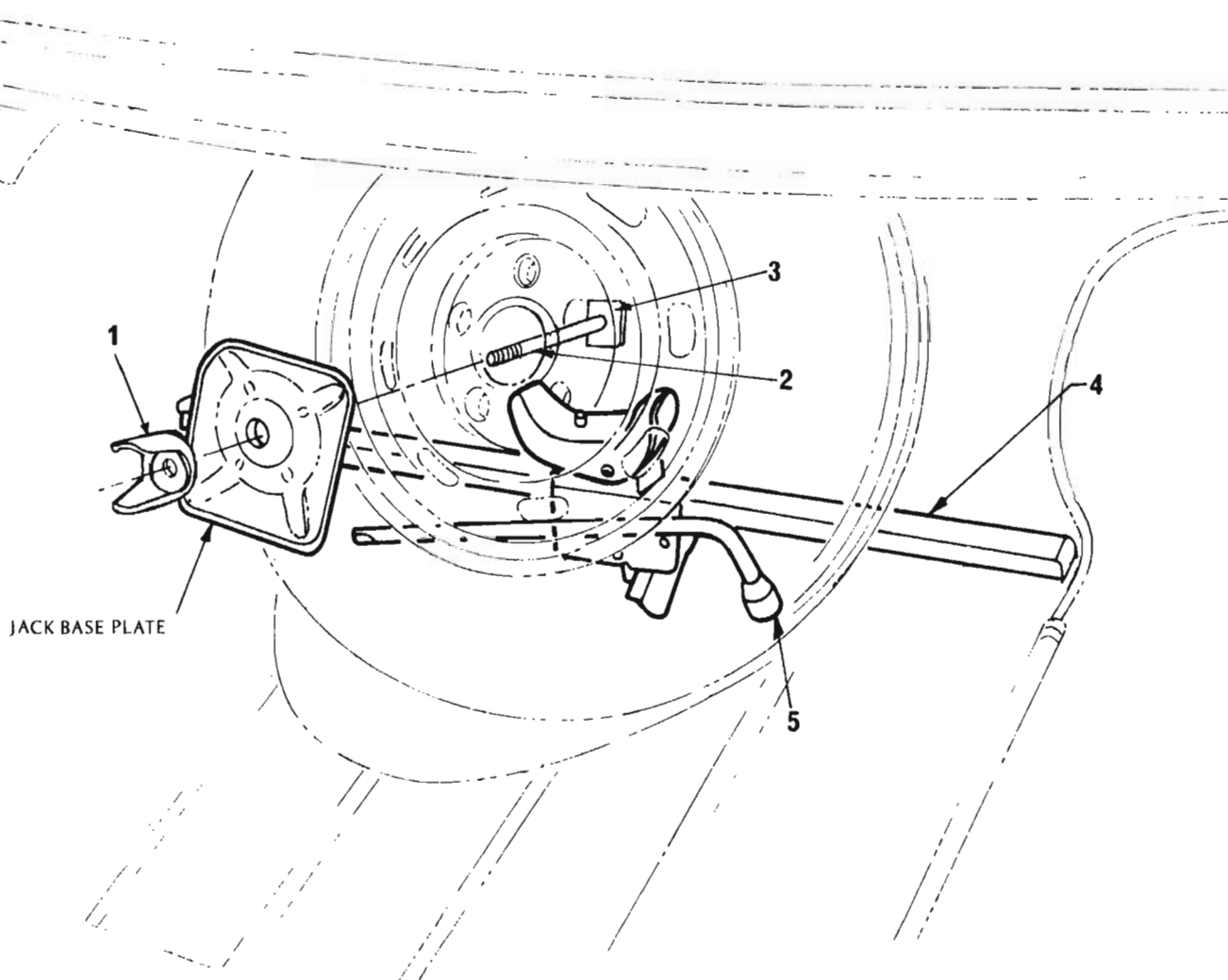
SECTION C-C
2 PLACES



SECTION A-A

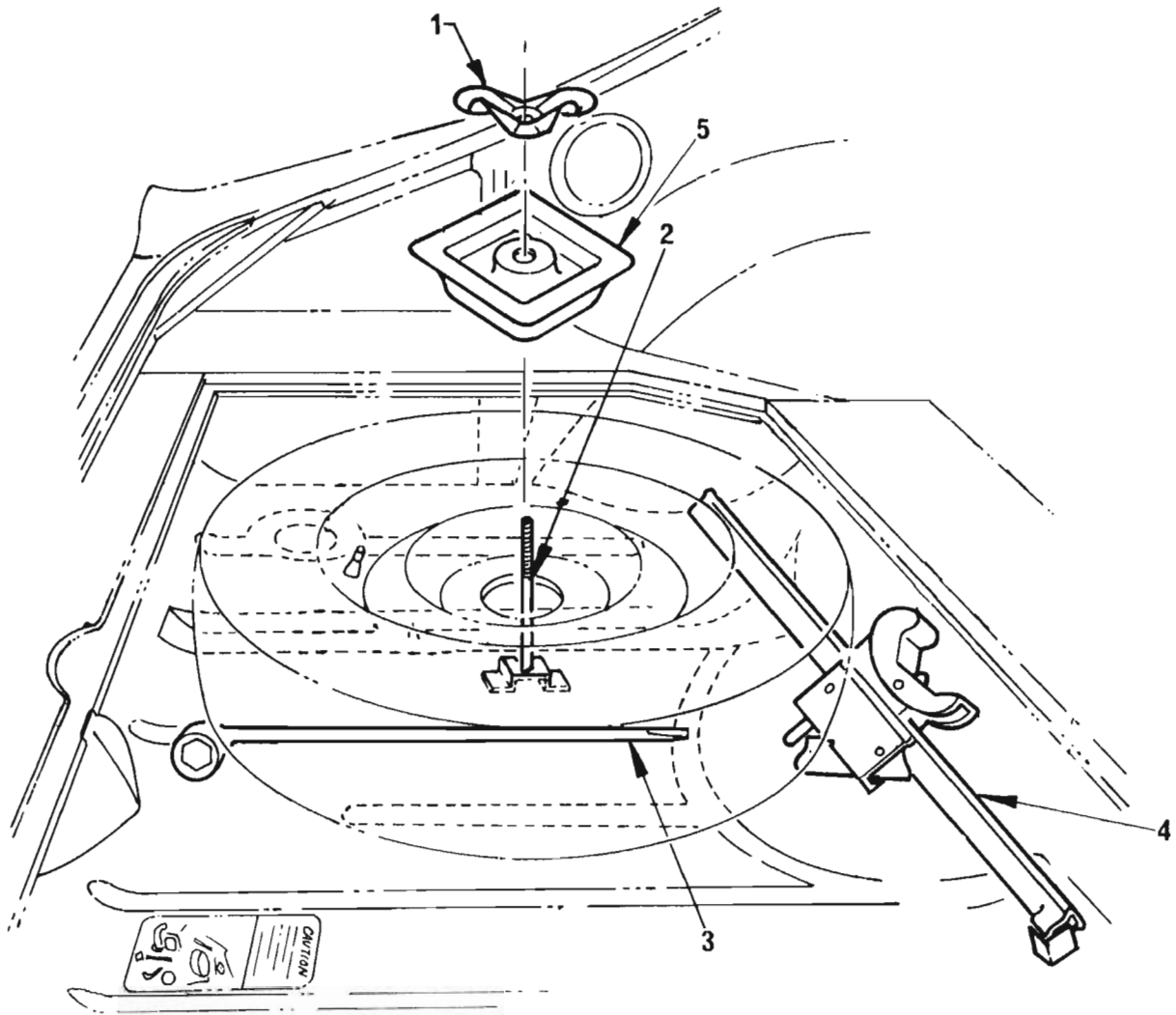
FRONT AIR DAM

ILLUS. REF. NO.	PART NAME	GROUP
1.	DAM ASSEMBLY	8.126
2.	PANEL ASSEMBLY - Front end	1.266
3.	BUMPER - Front licence plate	7.796



JACK and SPARE WHEEL
69 Body Style

ILLUS. REF. NO.	PART NAME	GROUP
1.	NUT - Spare wheel retaining	7.633
2.	BOLT - Spare wheel retaining	7.632
3.	RETAINER - Bolt	7.632
4.	JACK ASSEMBLY	8.820
5.	WRENCH - Wheel nut	8.821



JACK and SPARE WHEEL
77 Body Style

ILLUS. REF. NO.	PART NAME	GROUP
1.	NUT - Spare wheel retaining	7.633
2.	BOLT - Spare wheel retaining	7.632
3.	WRENCH - Wheel nut	8.821
4.	JACK ASSEMBLY	8.820
5.	PLATE - Spare wheel retaining	7.633

TORANA "LX" PARTS CATALOGUE

GROUP	DESCRIPTION	MODEL	SIDE	PART No.	QTY.
8.000	PANEL – Hood				
	PANEL ASSY.	ALL		9931087	1
8.010	LACING – Hood ledge				
	LACING	ALL		2824614	1
	FASTENER – Drive	ALL		SP1710	10
8.013	SPRING – Hood hinge				
	SPRING	ALL		2811667	2
8.015	HINGE – Hood				
	HINGE ASSY.	ALL	LH	2811919	1
			RH	2811918	1
	BOLT & WASHER – Hinge to hood & fender skirt	ALL		SP2154	8
8.024	BUMPER – Hood				
	BUMPER	ALL		7424840	4
	BUMPER – Hood to radiator panel	ALL		7424249	2
	BOLT – Bumper to radiator panel	ALL		7424068	2
	NUT – Bumper to radiator panel	ALL		124824	2
8.036	CATCH, SPRING – Hood safety				
	CATCH	ALL		2811857	1
	PIN – Hood safety catch	ALL		2811603	1
	SPRING	ALL		2811604	1
	WASHER – Safety catch pin	ALL		446152	1
8.055	HOOD ORNAMENT PACKAGE				
	PACKAGE	ALL		9940593	1
	SMALL PARTS KIT	ALL		M37703	1
	STUD	ALL		7434869	4
	WASHER	ALL		131015	4
	NUT	ALL		134530	6
8.075	CABLE – Hood lock				
	CABLE ASSY.	ALL	RIGHT HAND DRIVE	9929563	1
			LEFT HAND DRIVE	9929564	1
	WASHER – Cable to mtg. bracket, int. tooth lock	ALL		138542	1
	NUT – Cable to mtg. bracket	ALL		114494	1
	CLIP – Cable to front end panel		RIGHT HAND DRIVE	SP2525	1
	CLAMP – Cable to radiator panel & fender skirt		LEFT HAND DRIVE	7433551	4
	SCREW – Cable to radiator panel & fender skirt clamp		LEFT HAND DRIVE	9414711	4
8.076	GROMMET – Hood lock control rod				
	GROMMET – Through dash	ALL	LEFT HAND DRIVE	2807028	1
8.077	BRACKET, ANCHOR – Hood lock control rod				
	BRACKET	ALL		7433068	1
	BOLT – Bracket to instrument panel	ALL		160536	2
	WASHER – Bracket to instrument panel, lock	ALL		120380	2
	NUT – Bracket to instrument panel	ALL		120375	2
	ANCHOR	ALL		7400144	1
	BOLT – Anchor to cable	ALL		131954	1
8.079	LOCK and SUPPORT – Hood				
	LOCK & SUPPORT ASSY.	ALL	RIGHT HAND DRIVE	*(2824934)	1
			LEFT HAND DRIVE	9929252	1
	BOLT & LOCK WASHER – Lock to radiator support	ALL		SP2055	4

see Bottom of this Page

* 1x 9928957 1x 9929017 1x 7432435
 1x 7409261 2x 111285 1x 2824654

TORANA "LX" PARTS CATALOGUE

GROUP	DESCRIPTION	MODEL	SIDE	PART No.	QTY.
8.079	LOCK and SUPPORT -- Hood (contd.)				
	NUT - Lock to radiator support, stamped 5/16" - 18	ALL		SP1548	2
	BOLT & LOCKWASHER - Support	ALL		SP2511	1
	RIVET - Support to lock	ALL		111285	2
8.081	SPRING -- Hood catch lock plate				
	SPRING	ALL		7432435	1
8.085	SPRING, RETAINER, PLUNGER -- Hood catch				
	SPRING - Hood catch	ALL		7424228	1
	RETAINER - Hood catch spring	ALL		9934374	1
	PLUNGER - Hood lock	ALL		7415559	1
	NUT - Plunger to bracket	ALL		9418302	1
	BRACKET - Plunger	ALL		9934372	1
	BOLT & LOCKWASHER - Bracket to hood	ALL		SP2055	3
8.112	GUARD -- Engine compartment splash				
	GUARD - Side	ALL	LH	9932337	1
			RH	9932338	1
	SCREW - Guard to side member	ALL		9413531	2
	WASHER - Guard to side member, lock	ALL		121637	2
	WASHER - Guard to side member, flat	ALL		120392	2
	BOLT & WASHER - Guard to side member	ALL		SP2154	4
	BOLT & LOCKWASHER - Guard to radiator support	ALL		SP2511	2
	NUT - Guard to radiator support, spring	ALL		SP1548	2
	SEAL - Splash guard side	ALL		9932503	2
	GUARD PACKAGE - Centre splash	ALL		9932596	1
	SCREW - Centre guard to side guard	ALL		9416642	6
8.126	DAM -- Front air				
	DAM PACKAGE	ALL		9941286	1
	DAM ASSY	ALL		9940862	1
	SCREW	ALL		9419609	7
8.130	FENDER -- Front				
	FENDER ASSY	ALL	LH	9942285	1
			RH	9942284	1
				9936467	
				9936468	
8.132	MOULDING, PLATE, TRANSFER -- Front fender				
	MOULDING	ALL		9940304	2
	CLIP PACKAGE	ALL		9930704CLP	2
	SCREW - Moulding to fender	ALL		SP2495	2
	STUD - Moulding to fender	ALL		9937627	2
	NUT - Moulding to fender	ALL		SP2443	2
	PLATE - "SL" name	UH, VC		2818746	2
	PLATE - "SLR" name	VD		9929138	2
	CLIP - Name plate to fender	UH, VC, VD		SP1606	4
	TRANSFER - Black & gold stripe	VD Hatchback	LH	9935705	1
			RH	9935706	1
	TRANSFER - Black & silver stripe	VD Hatchback	LH	9935693	1
			RH	9935694	1
	TRANSFER - Orange & red stripe	VD Hatchback	LH	9935699	1
	<i>TRANSFER 1986 Body Code</i>	<i>Lx VD</i>		<i>9941392</i>	
	MOULDING PACKAGE - Body side	UG, VB, VD Sedan		9940824	1
	MOULDING PACKAGE - Body side	VD Hatchback		9938820	1
8.143	FRONT FENDER ATTACHING PARTS				
	BOLT & WASHER - Fender to cowl panel - 18 x 1"	ALL		SP2013	2
	BOLT & LOCKWASHER - Fender to radiator support	ALL		SP2055	4
	BOLT & LOCKWASHER - Fender to skirt	ALL		SP2055	8
	BOLT & LOCKWASHER - Fender to body side	ALL		SP2040	4

TORANA "LX" PARTS CATALOGUE

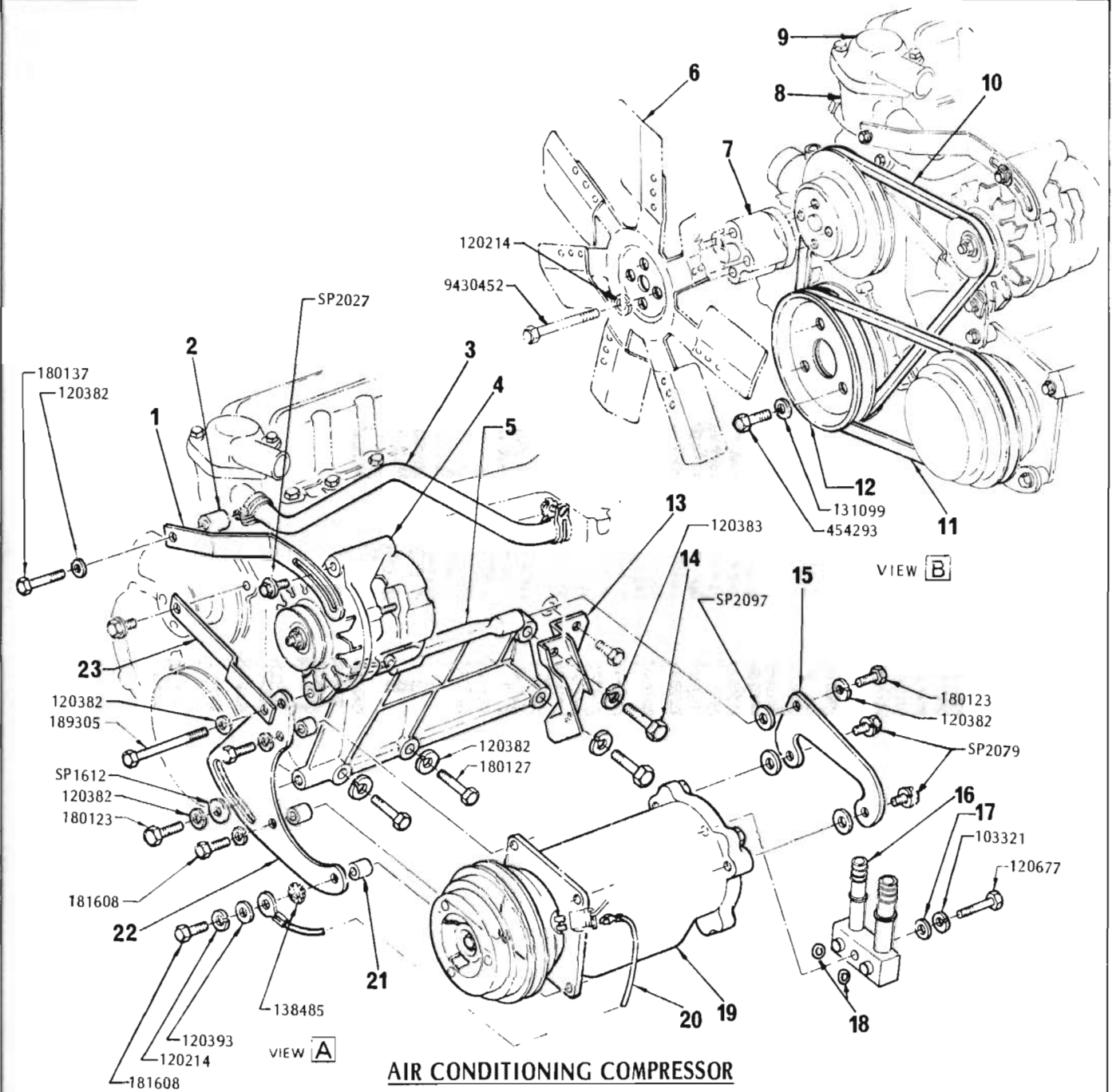
GROUP	DESCRIPTION	MODEL	SIDE	PART No.	QTY.
8.143	FRONT FENDER ATTACHING PARTS (contd.)				
	BOLT & WASHER - Fender to rocker panel - 18 x 1 ³ / ₁₆ "	ALL		7436617	4
	NUT - Fender attaching - Stamped	ALL		SP1548	22
	WASHER - Fender to body side (cup)	ALL		7424850	4
	WASHER - Fender to body side (rubber)	ALL		7424849	4
	SHIM - Fender to body side & radiator support	ALL		9928720	A.R.
8.153	PANEL - Front fender skirt				
	PANEL ASSY.	ALL	LH	2824515	1
			RH	2824516	1
	PLUG - Brake pipe through skirt	Drum Brakes		SP2426	2
8.798	WINDSHIELD WASHER COMPONENTS				
	Refer Groups 10.153, 10.154, 10.155, 10.156				
8.800	SERVICE ACCESSORIES - Maintenance				
	ADHESIVE - Plastic, 1 pint (568ml) can	ALL		7425228	A.R.
	ADHESIVE - P.V.C., 1 pint (568ml) can	ALL		7425230	A.R.
	ANTI-FREEZE - 1 Litre can	ALL		7425039	A.R.
	CEMENT - Neoprene, 6 oz tube	ALL		7425229	A.R.
	FLUID - Heavy duty brake 10 fl oz (284ml)	ALL		7448554	A.R.
	FLUID - Heavy duty brake 500ml	ALL		7448553	A.R.
	FLUID - Heavy duty brake 20 litres	ALL		M37535	A.R.
	INHIBITOR - Radiator, 8 fl oz (227.2 ml) - Use when new radiator fitted	ALL		7426874	A.R.
	INHIBITOR - Radiator, 200 ml - Use after radiator has been in service for 6000 miles	ALL		2822485	A.R.
	KEY BLANK - "A" - Square head	ALL		M37042	A.R.
	KEY BLANK - "B" - Round head	ALL		M37043	A.R.
	OPTIKLEEN - 1 pint (568ml)	ALL		M37068	A.R.
	OPTIKLEEN - 1 gallon	ALL		M37135	A.R.
	PUTTY - Flexomastic	ALL		2806776	A.R.
	SEALER - Prestik No. 14, non-hardening, Black 5 strips	ALL		7425330	A.R.
	SEALER - Prestik No. 14, non-hardening, Grey 1 strip	ALL		7417028	A.R.
	SEALER - Non-hardening 1 1/2 lbs.	ALL		7438910	A.R.
	SEALER - Non-hardening 2 1/2 lbs.	ALL		M37741	A.R.
	SEALER - Plastic, 1 quart (1.136 Litres)	ALL		7425234	A.R.
	SEALING COMPOUND - Crankshaft rear bearing cap 10 fl oz (284ml)	ALL		3835215	A.R.
8.820	JACK				
	JACK ASSY	Exc. VD Hatchback		9932379	1
	JACK ASSY	VD Hatchback		9942115	1
8.821	WRENCH - Wheel nut				
	WRENCH	ALL		9932167	1
8.823	MANUAL - Owner, workshop				
	MANUAL - Owner	ALL		9942983	1
	MANUAL - Workshop	ALL		M37458	1
	MANUAL - Workshop supplement	ALL		M37690	1
	MANUAL - Workshop (1900 Engine supplement)	4 Cyl. Eng.		M37532	1
	MANUAL - Workshop (4 speed "Torquemaster" supplement)	4 Cyl. Eng.		M37601	1
	MANUAL - Workshop (Automatic transmission supplement)	(A)		M37209	1
	TAG - Caution	Superlift Shock Absorber		2825280	1
	DECAL - "Air conditioned"	Air Cond.		9933719	1

TORANA "LX" PARTS CATALOGUE

GROUP	DESCRIPTION	MODEL	SIDE	PART No.	QTY.
8.823	PLACARD - Tyre				
	PLACARD	4 Cyl. Eng.		9941507	1
	PLACARD	VB with 6 Cyl. Eng.		9941507	1
	PLACARD	VC with 6 Cyl. Eng.		9941508	1
	PLACARD	VD with 6 Cyl. Eng.		9941509	1
	PLACARD	VB, VC, 4.2 Litre Eng. exc. Dual Exhaust ...		9941509	1
	PLACARD	VB, VC, 4.2 Litre Eng. Dual Exhaust		9934923	1
	PLACARD	VD 4.2 Litre Eng.		9934923	1
	PLACARD	VD 5 Litre Eng.		9939098	1

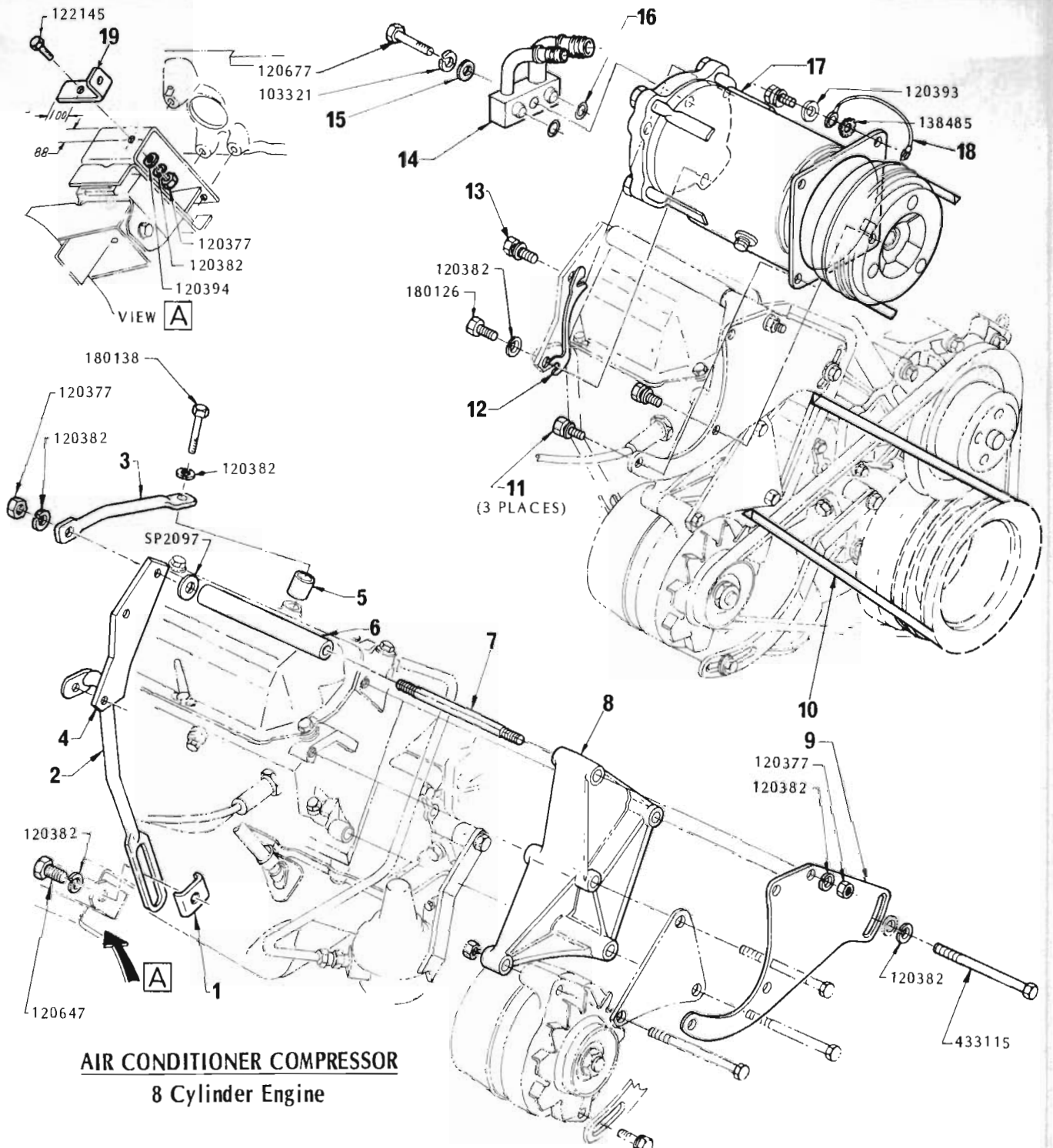
8.899 THRU 8.995
REFER STANDARD PARTS CATALOGUE
PART No. M37600

GROUP 9.000
ACCESSORIES
AIR CONDITIONER — HEATER



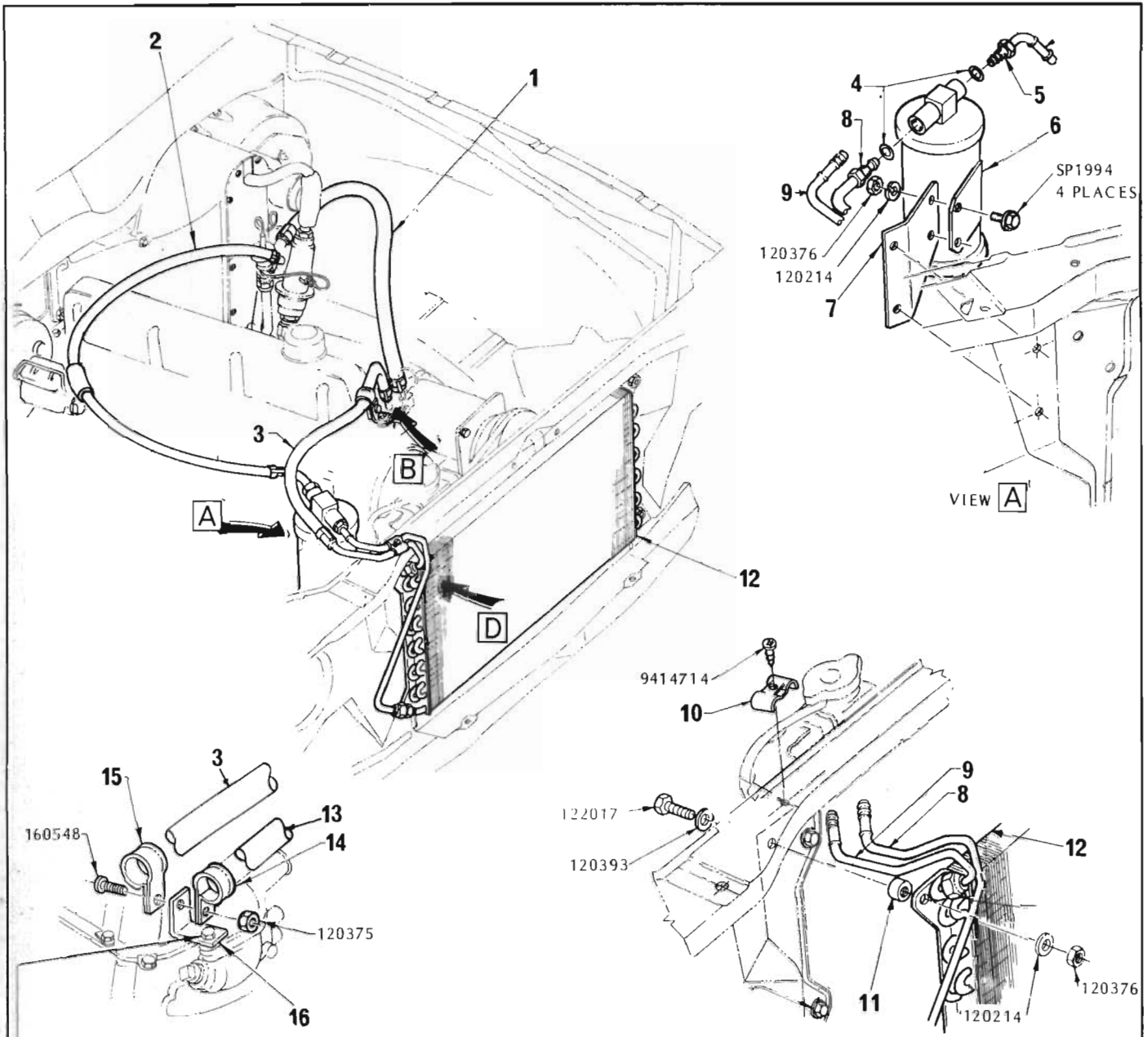
AIR CONDITIONING COMPRESSOR
6 Cyl. Eng.

ILLUS. REF. NO.	PART NAME	GROUP	ILLUS. REF. NO.	PART NAME	GROUP
1.	BRACE - Generator	2.317	13.	BRACKET ASSY. - Front mounting	0.027
2.	SPACER - Brace to thermo housing	2.317	14.	BOLT - Bracket to engine	9.171
3.	HOSE - Inlet manifold water	3.260	15.	BRACKET - Comp. rear	9.171
4.	GENERATOR ASSY.	2.275	16.	FITTING ASSY.	9.170
5.	SUPPORT - Compressor	9.171	17.	WASHER - Fitting to compressor	9.170
6.	BLADE ASSY. - Fan	1.064	18.	'O' RING - Fitting to compressor	9.170
7.	SPACER - Fan blade	1.064	19.	COMPRESSOR ASSY.	9.170
8.	HOUSING - Thermostat	1.251	20.	LEAD ASSY. - Earth	9.170
9.	OUTLET - Cyl. head water	1.153	21.	SPACER - Front bracket	9.171
10.	BELT - Fan & generator	1.066	22.	BRACKET - Comp. front	9.171
11.	BELT - Compressor	9.180	23.	BRACE - Front	9.171
12.	PULLEY - Crankshaft	0.659			



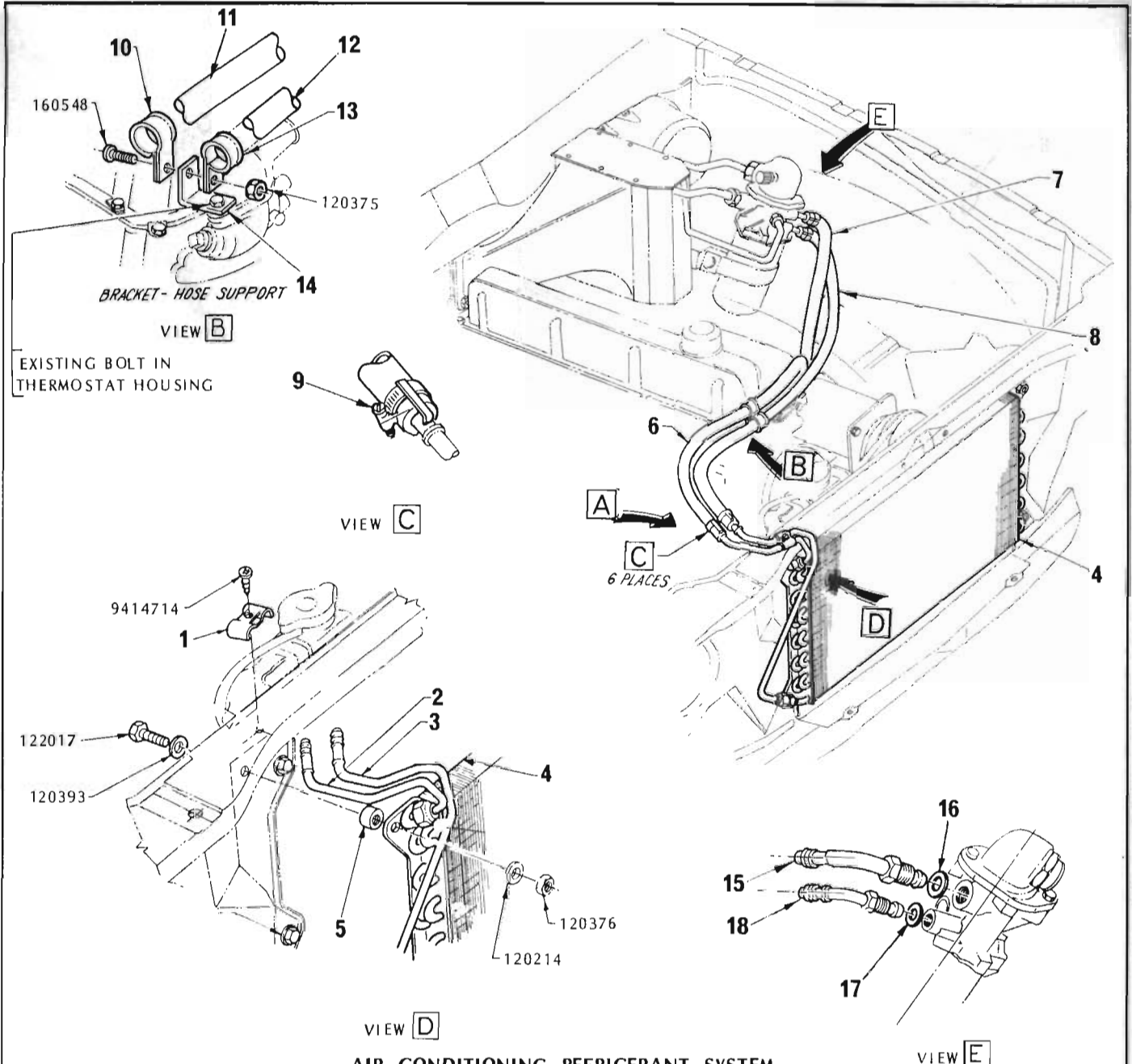
AIR CONDITIONER COMPRESSOR
8 Cylinder Engine

ILLUS. REF. NO.	PART NO.	GROUP	ILLUS. REF. NO.	PART NAME	GROUP
1.	NUT – Compressor brace to frame bkt.	9.171	11.	SCREW – Comp. to front bracket	9.171
2.	BRACE – Compressor – Rear	9.171	12.	SHIM – Rear bracket	9.171
3.	BRACE – Comp. – Rear to inlet manifold	9.171	13.	SCREW – Comp. to rear bracket	9.171
4.	BRACKET – Rear	9.171	14.	FITTING ASSY.	9.170
5.	SPACER – Bracket to inlet manifold	9.171	15.	WASHER – Fitting to compressor	9.170
6.	SPACER – Comp. bracket to support	9.171	16.	“O” RING – Fitting to compressor	9.170
7.	STUD – Front & rear bracket to supt.	9.171	17.	COMPRESSOR ASSY.	9.170
8.	SUPPORT – Front	9.171	18.	LEAD – Earth	9.170
9.	BRACKET – Front	9.171	19.	BRACKET – Comp. brace R.H.	9.171
10.	BELT – Compressor	9.180			



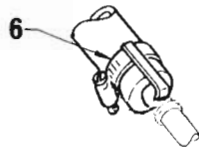
**AIR CONDITIONING REFRIGERANT SYSTEM
RECEIVER DEHYDRATOR SYSTEM
6 Cylinder Engine**

ILLUS. REF. NO.	PART NAME	GROUP	ILLUS. REF. NO.	PART NAME	GROUP
1.	HOSE - P.O.A.S.T.valve to compressor ..	9.220	9.	TUBE ASSEMBLY - Condenser outlet	9.220
2.	HOSE - Receiver dehydrator to mod.valve	9.220	10.	CLAMP - Condenser tubes	9.220
3.	HOSE - Comp.outlet to condenser inlet ..	9.220	11.	SPACER - Condenser to radiator support..	9.190
4.	'O'RING - Receiver dehydrator	9.220	12.	CONDENSER ASSEMBLY	9.190
5.	TUBE ASSY. - Receiver dehydrator outlet	9.220	13.	HOSE - Receiver dehydrator to mod.valve	9.220
6.	RECEIVER DEHYDRATOR ASSEMBLY	9.195	14.	CLIP - Receiver dehydrator hose	9.220
7.	BRACKET - Receiver dehydrator mounting	9.195	15.	CLIP - Compressor hose	9.220
8.	TUBE ASSEMBLY - Condenser inlet	9.220	16.	BRACKET - Hose support	9.220

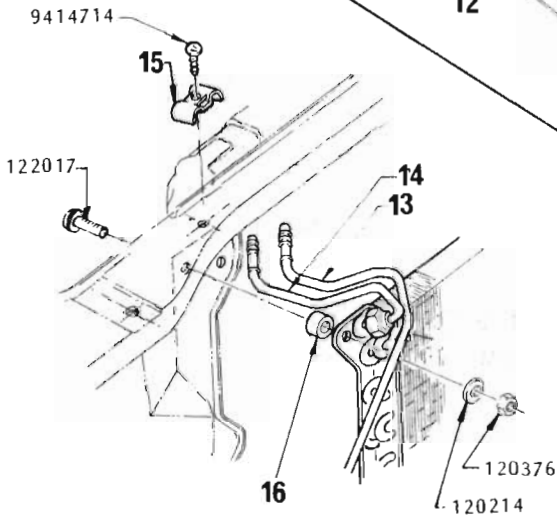
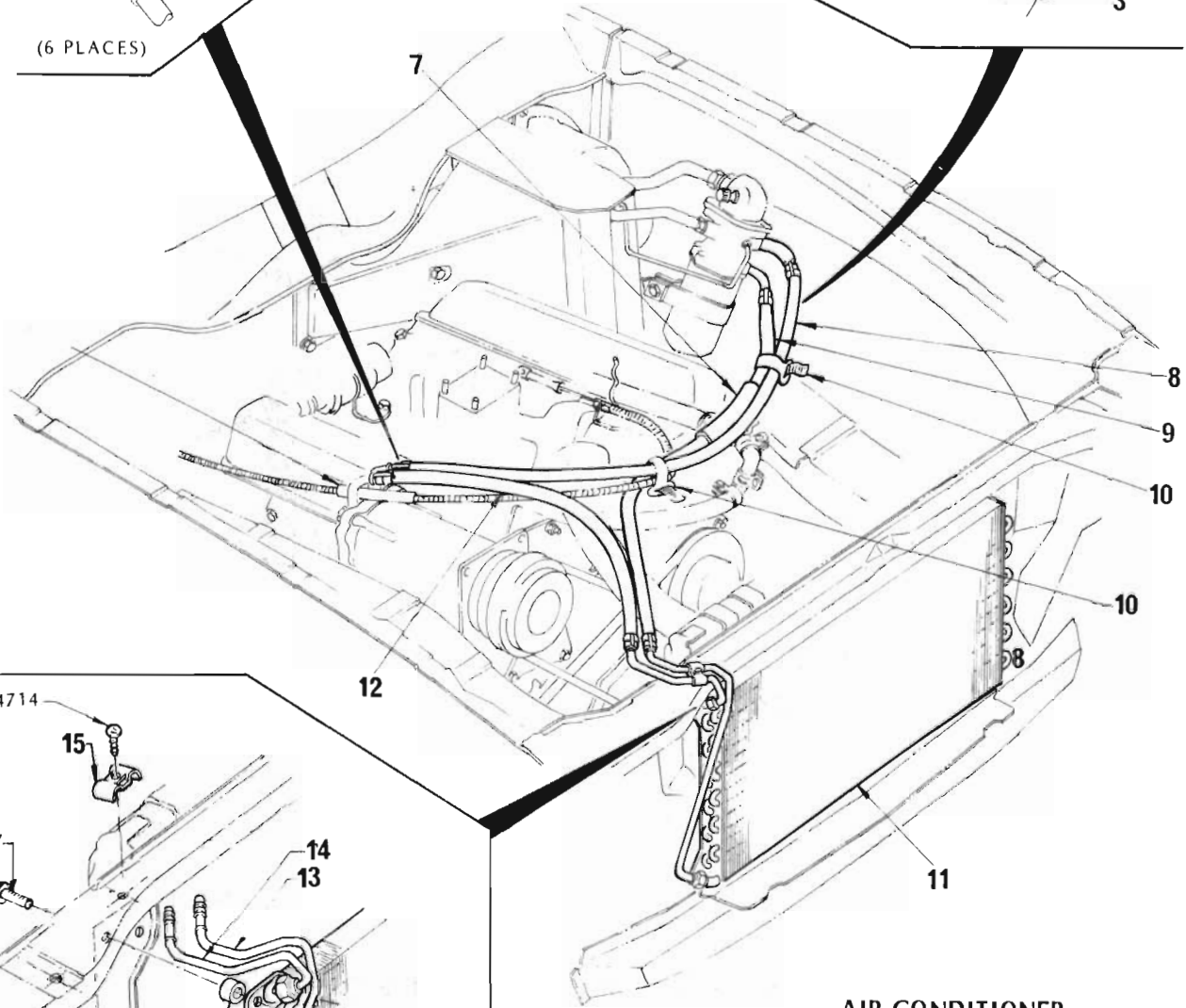
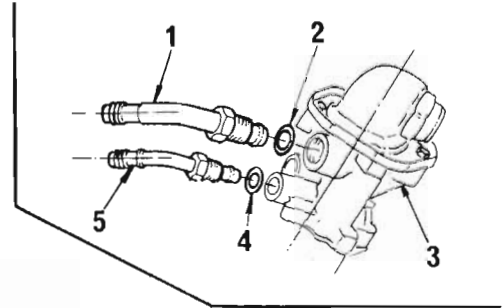


AIR CONDITIONING REFRIGERANT SYSTEM
VALVES-IN-RECEIVER SYSTEM
6 Cylinder Engine

ILLUS. REF. NO.	PART NAME	GROUP	ILLUS. REF. NO.	PART NAME	GROUP
1.	CLAMP - Condenser tubes	9.220	10.	CLIP - Compressor hose	9.220
2.	TUBE - Condenser inlet	9.220	11.	HOSE - Comp. outlet to condenser inlet	9.220
3.	TUBE - Condenser outlet	9.220	12.	HOSE - Condenser outlet to valve-in-rec. ...	9.220
4.	CONDENSER ASSEMBLY	9.190	13.	CLIP - Valve-in-receiver hose	9.220
5.	SPACER - Condenser to radiator support ...	9.190	14.	BRACKET - Hose support	9.220
6.	HOSE - Comp. outlet to condenser inlet	9.220	15.	TUBE - Valve-in-receiver to compressor ..	9.220
7.	HOSE - Valve-in-receiver to comp. inlet ..	9.220	16.	'O'RING - Valve-in-receiver to comp.tube	9.220
8.	HOSE - Condenser outlet to valve-in.rec.	9.220	17.	'O'RING - Cond. to valve-in-receiver	9.220
9.	CLAMP - Hose	9.220	18.	TUBE - Cond. to valve-in-receiver	9.220

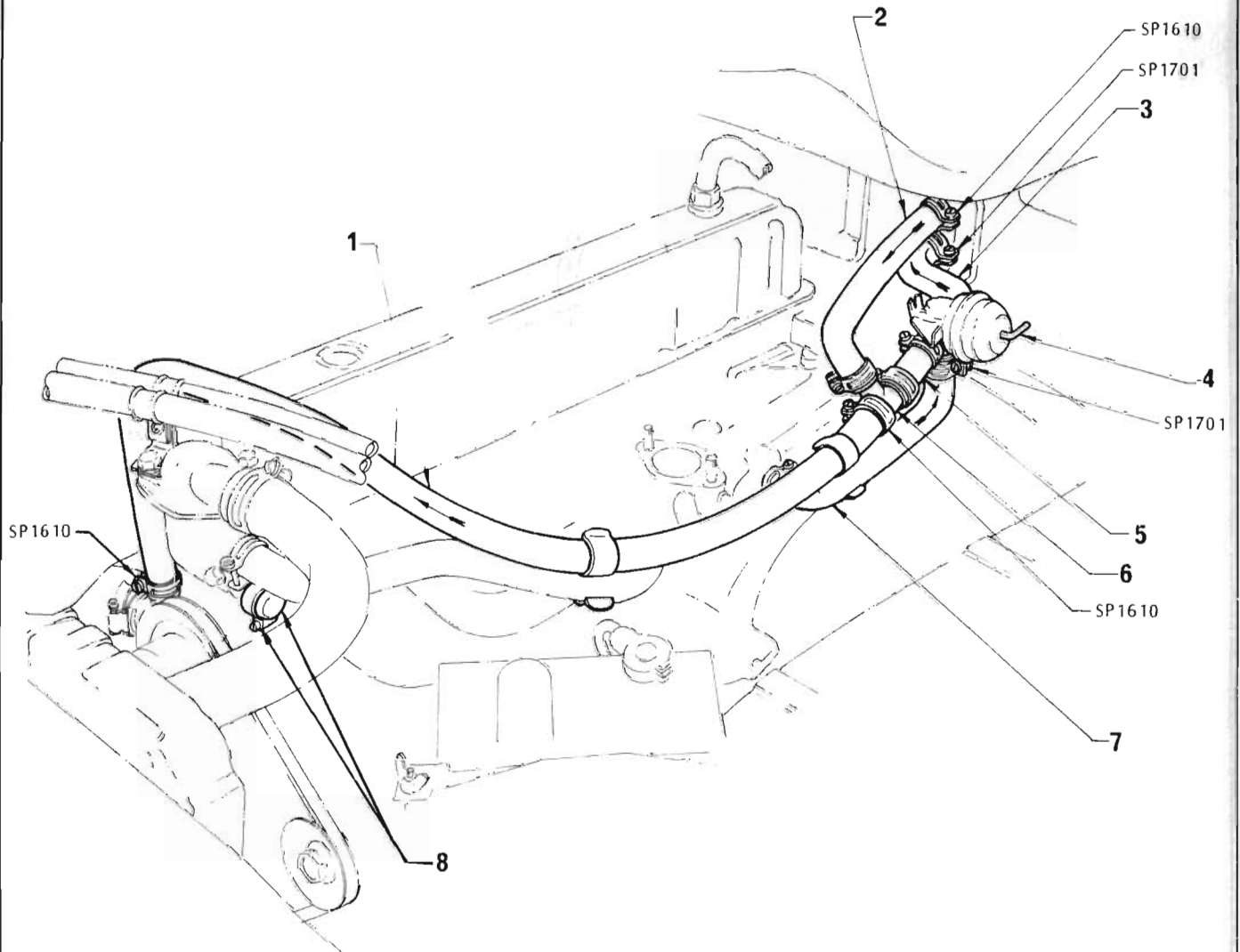


(6 PLACES)



**AIR CONDITIONER
REFRIGERANT SYSTEM
8 Cylinder Engine**

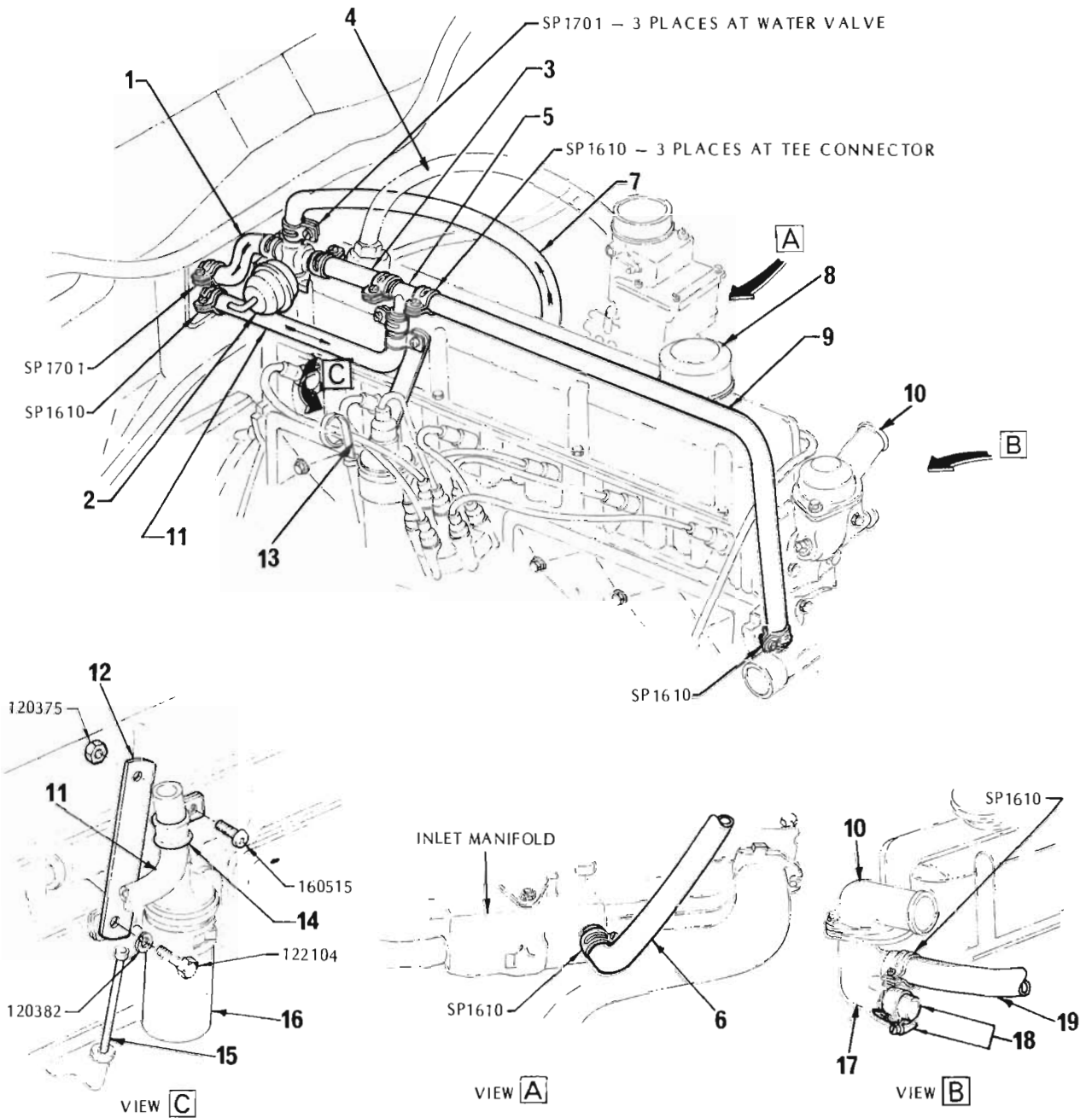
ILLUS. REF. NO.	PART NAME	GROUP	ILLUS. REF. NO.	PART NAME	GROUP
1.	TUBE ASSY. - Valves-in-receiver to comp.	9.220	9.	HOSE - Condenser outlet to valve-in-rec.	9.220
2.	"O" RING - Valves-in-receiver to comp. tube.	9.220	10.	STRAP - Hoses	9.220
3.	VALVES-IN-RECEIVER	9.195	11.	CONDENSER	9.190
4.	"O" RING - Cond. to valves-in-rec. tube	9.220	12.	HOSE - Comp. outlet to cond. inlet	9.220
5.	TUBE ASSY. - Cond. to valve-in-receiver	9.220	13.	TUBE - Condenser - outlet	9.220
6.	CLAMP - Hose	9.220	14.	TUBE - Condenser - inlet	9.220
7.	SLEEVE - Condenser outlet hose	9.220	15.	CLAMP - Condenser tubes	9.220
8.	HOSE - Valve-in-receiver to comp. inlet	9.220	16.	SPACER - Condenser to rad. supt.	9.190



AIR CONDITIONING HEATER HOSES

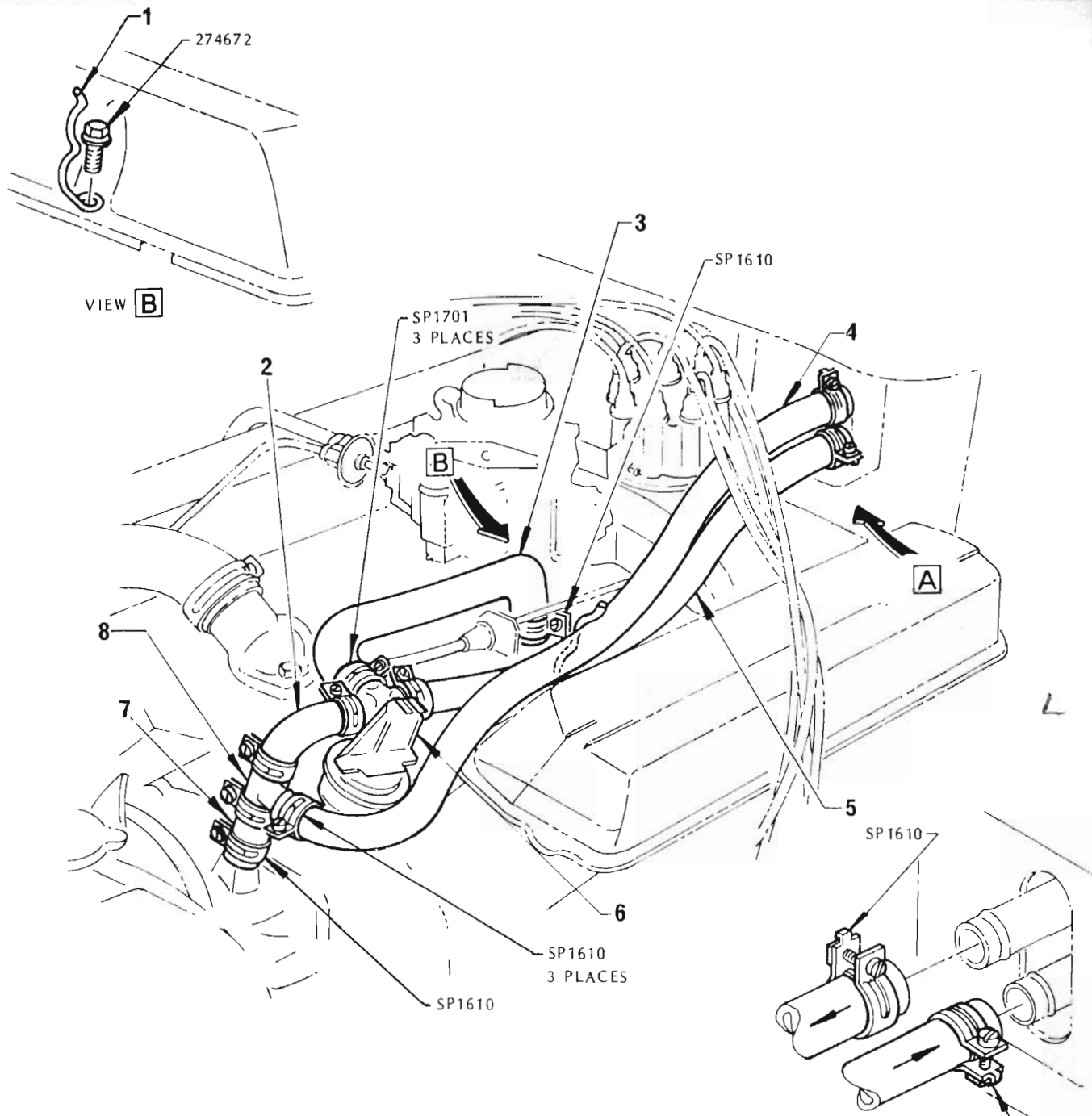
6 CYLINDER ENGINE - LEFT HAND DRIVE

ILLUS. REF. NO.	PART NAME	GROUP
1.	HOSE - Tee to water pump	9.220
2.	HOSE - Heater to tee	9.220
3.	HOSE - Water valve to heater	9.220
4.	VALVE - Heater water	9.275
5.	HOSE - Water valve to tee	9.220
6.	TEE - Water hose connector	9.220
7.	HOSE - Manifold to water valve	9.220
8.	SEAL KIT - Heater hose connection	1.251



AIR CONDITIONING HEATER HOSES
6 Cylinder Engine, Right Hand Drive

ILLUS. REF. NO.	PART NAME	GROUP	ILLUS. REF. NO.	PART NAME	GROUP
1.	HOSE - Water valve to heater	9.220	11.	HOSE - Heater to tee	9.220
2.	VALVE - Heater water	9.275	12.	BRACKET - Hose support	9.220
3.	HOSE - Water valve to tee	9.220	13.	INDICATOR - Oil level	1.516
4.	HOSE - Crankcase ventilator	1.762	14.	CLIP - Hose support bracket	9.220
5.	TEE - Water hose connector	9.220	15.	TUBE - Oil level indicator	1.516
6.	HOSE - Manifold to water valve	9.220	16.	COIL - Ignition	2.170
7.	CARBURETTOR ASSY.	3.725	17.	HOUSING - Thermostat	1.251
8.	CAP - Oil filler	1.758	18.	SEAL KIT - Heater hose connection	1.251
9.	HOSE - Tee to water pump	9.220	19.	HOSE - Inlet manifold water	3.260
10.	OUTLET - Cyl. head water	1.153			

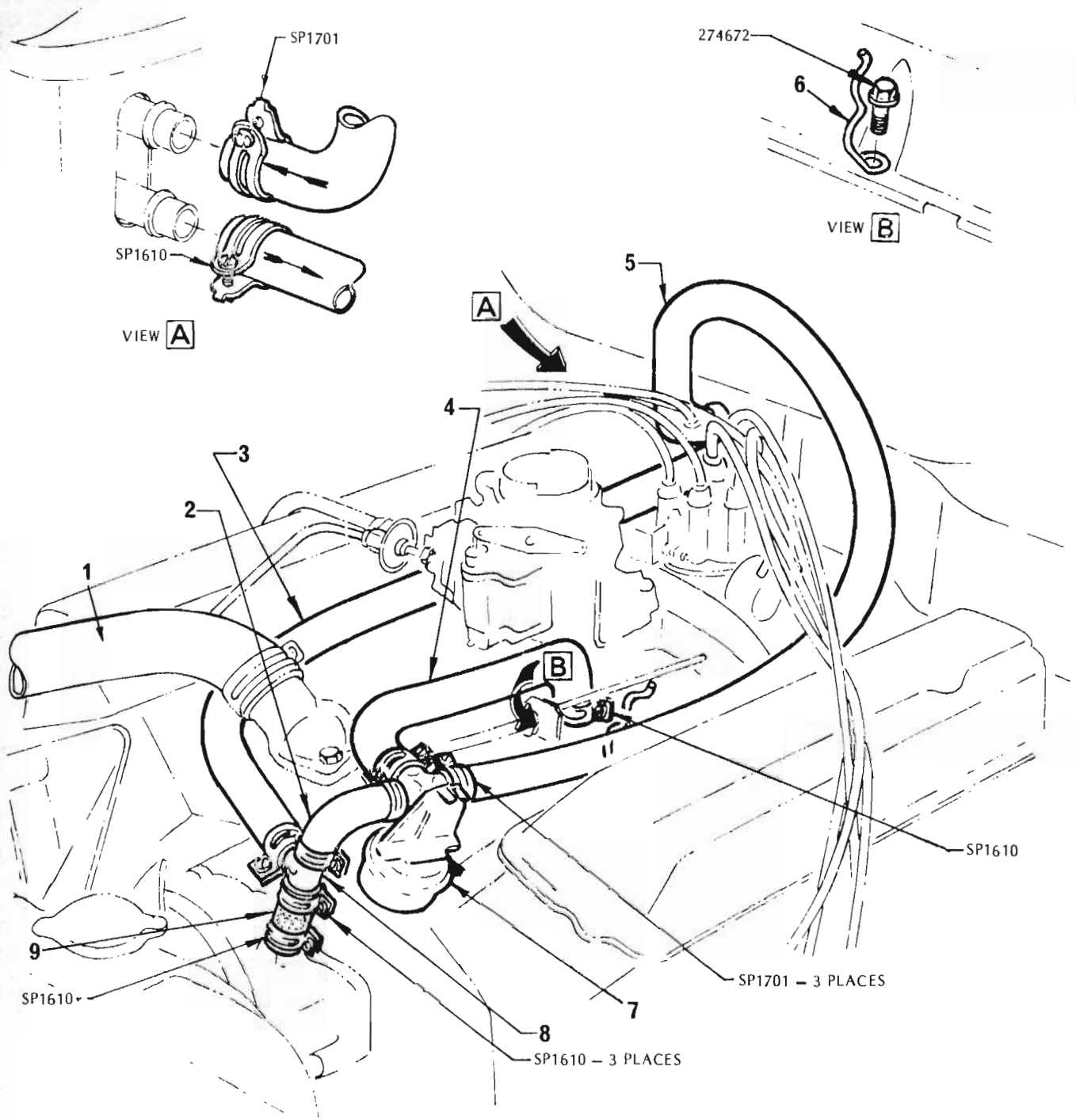


AIR CONDITIONING HEATER HOSES

8 CYLINDER ENGINE - LEFT HAND DRIVE

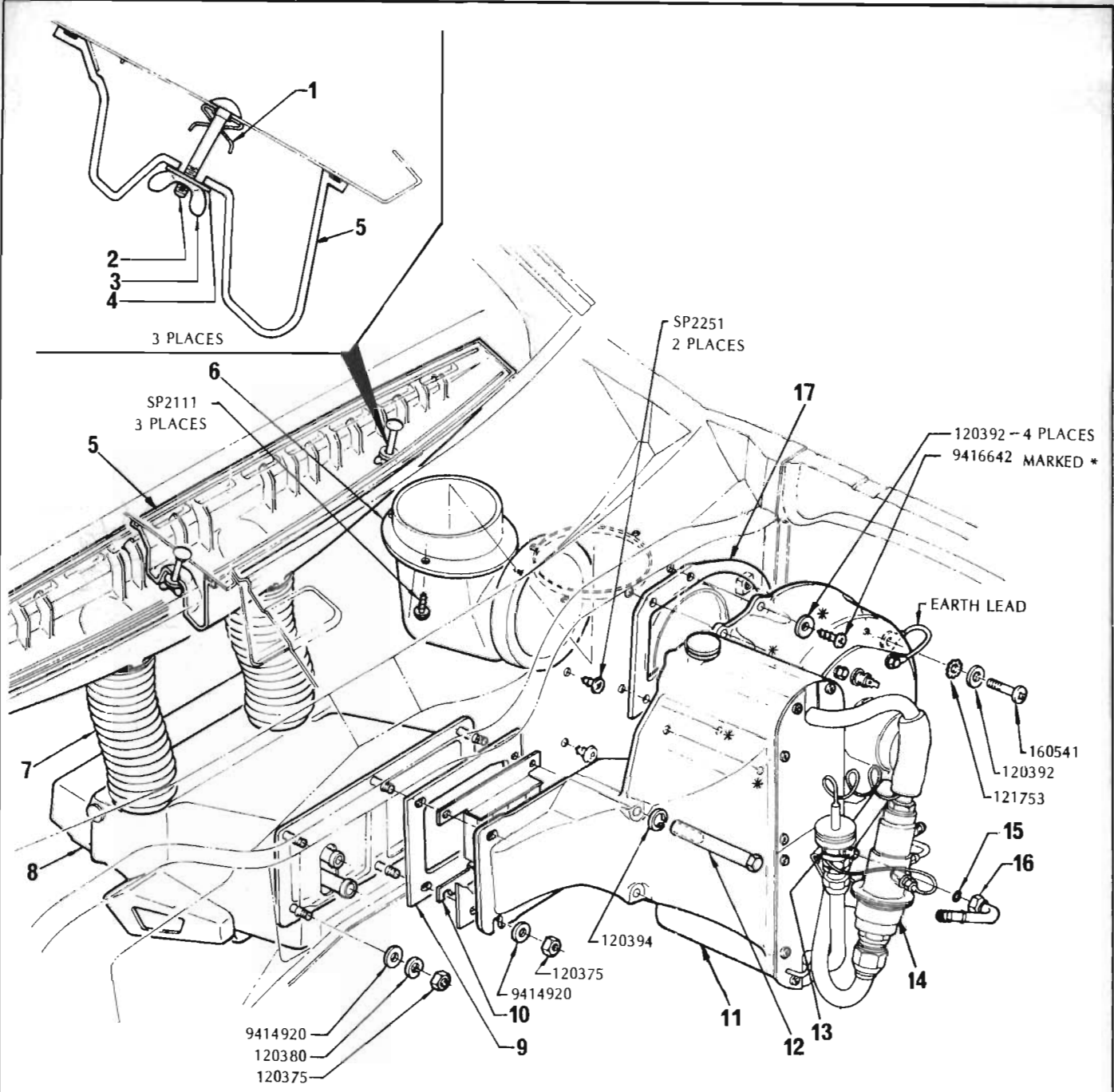
VIEW **A**

ILLUS. REF. NO.	PART NAME	GROUP	ILLUS. REF. NO.	PART NAME	GROUP
1.	CLIP - Inlet hose to rocker cover	9.220	5.	HOSE - Heater outlet to tee	9.220
2.	HOSE - Water valve to tee	9.220	6.	VALVE ASSY. - Heater valve	9.275
3.	HOSE - Manifold outlet to water valve....	9.220	7.	HOSE - Water pump to tee.....	9.220
4.	HOSE - Water valve to heater inlet.....	9.220	8.	TEE - Water hose connector	9.220



AIR CONDITIONING HEATER HOSES
8 Cylinder Engine - Right Hand Drive

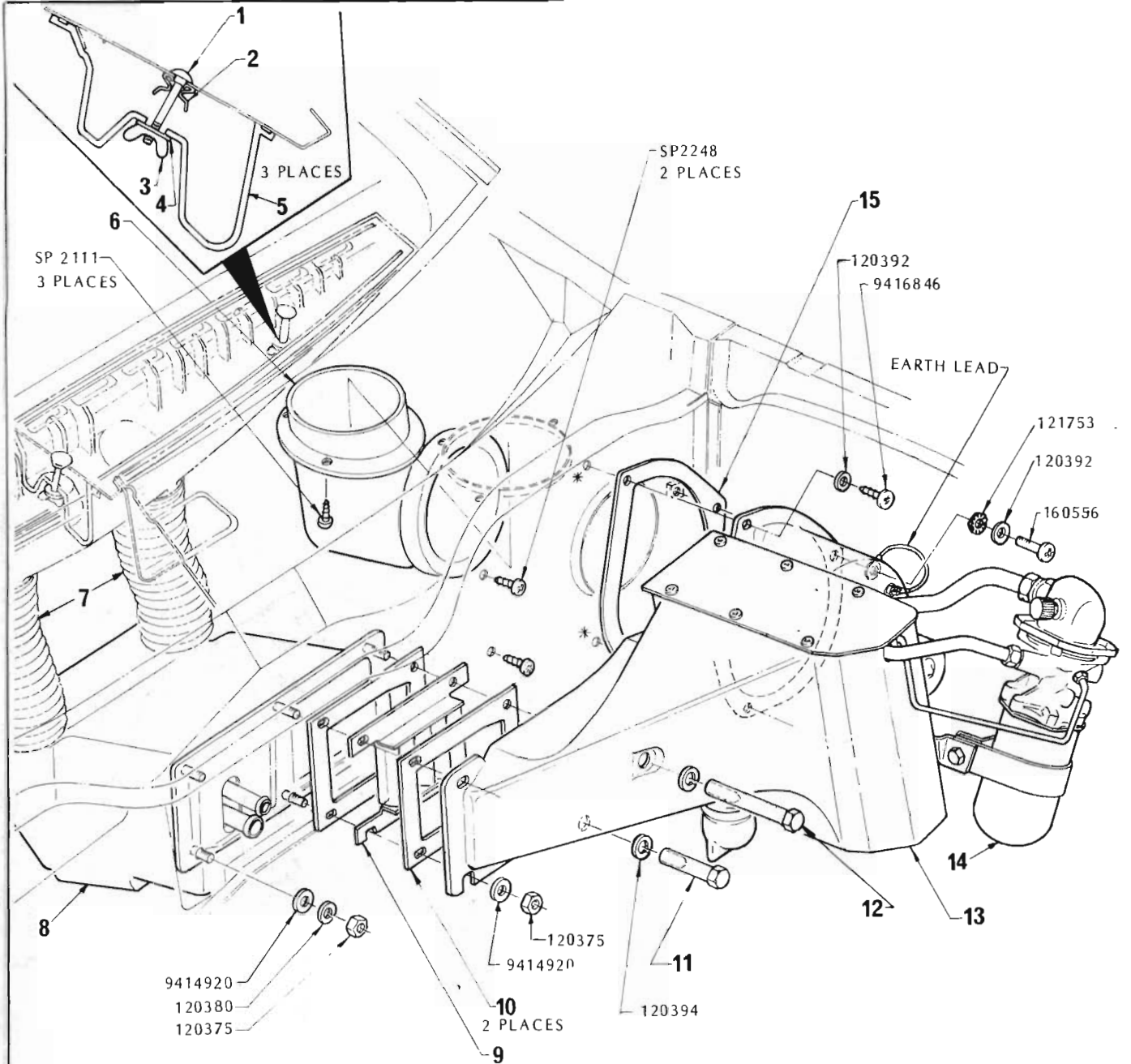
ILLUS. REF. NO.	PART NAME	GROUP	ILLUS. REF. NO.	PART NAME	GROUP
1.	HOSE - Radiator - Inlet	1.159	6.	CLIP - Heater hose to rocker cover	9.220
2.	HOSE - Water valve to tee	9.220	7.	VALVE ASSY. - Heater water	9.275
3.	HOSE - Heater outlet to tee	9.220	8.	TEE - Water hose connector	9.220
4.	HOSE - Manifold outlet to water valve	9.220	9.	HOSE - Water pump to tee	9.220
5.	HOSE - Water valve to heater inlet	9.220			



**AIR CONDITIONING HOUSING and DUCT
6 Cylinder Engine**

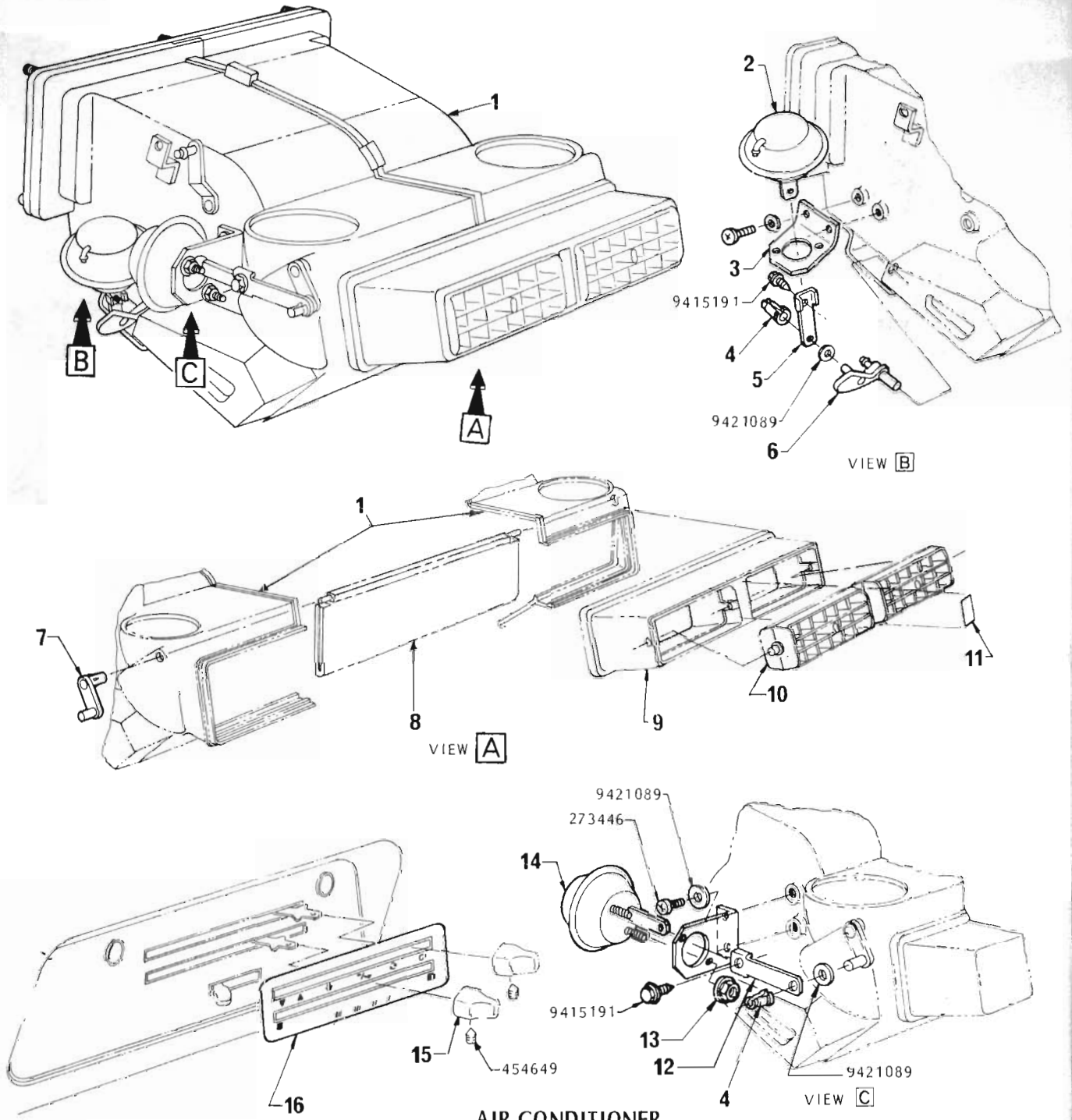
ILLUS. REF. NO.	PART NAME	GROUP	ILLUS. REF. NO.	PART NAME	GROUP
1.	NUT - Demist duct attaching	9.779	10.	DEFLECTOR - Housing air	9.169
2.	BOLT - Demist duct to inst. panel	9.779	11.	HOUSING - Evaporator & blower	9.169
3.	NUT - Wing	9.779	12.	BOLT - Housing to heater case	9.169
4.	WASHER - Demist duct attaching	9.779	13.	VALVE - Modulex	9.213
5.	DUCT ASSY. - Demist	9.779	14.	VALVE - P.O.A.S.T.	9.198
6.	INLET ASSY. - Air	9.211	15.	'O' RING - Modulex valve inlet	9.220
7.	TUBE - Heater to demist duct	9.779	16.	TUBE ASSY. - Modulex valve inlet	9.220
8.	CASE - Heater	9.779	17.	GASKET - Housing to air intake	9.169
9.	GASKET - Housing to heater	9.169			

TORANA "LX" PARTS CATALOGUE



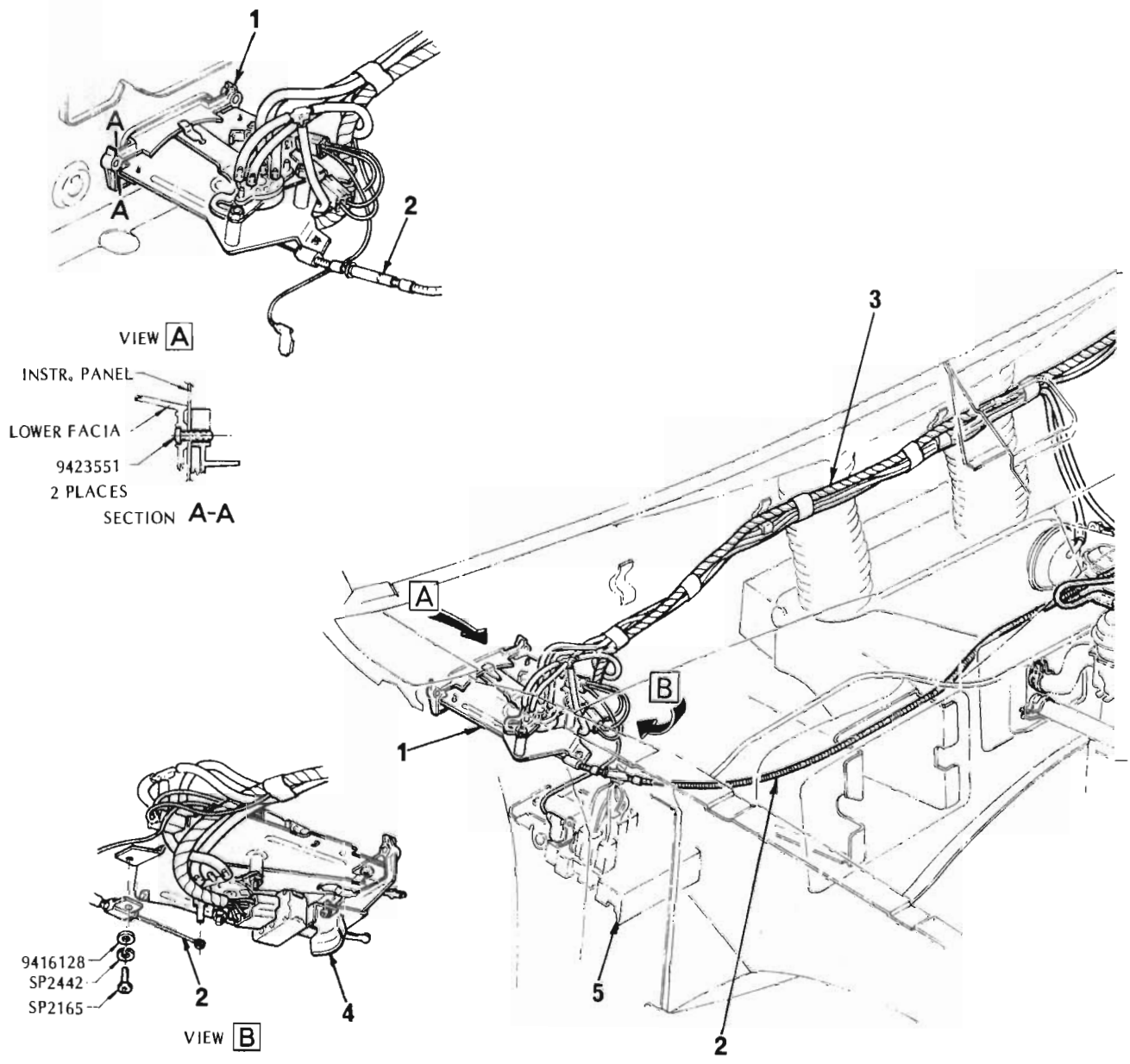
AIR CONDITIONER HOUSING and DUCT 8 Cylinder Engine

ILLUS. REF. NO.	PART NAME	GROUP	ILLUS. REF. NO.	PART NAME	GROUP
1.	NUT - Demist duct attaching	9.779	9.	DEFLECTOR - Housing air	9.169
2.	BOLT - Demist duct to inst. panel	9.779	10.	GASKET - Housing to heater	9.169
3.	NUT - Wing	9.779	11.	BOLT - Housing to heater case	9.169
4.	WASHER - Demist duct attaching	9.779	12.	BOLT - Housing to heater case	9.169
5.	DUCT ASSY. - Demist	9.779	13.	HOUSING - Evaporator & blower	9.169
6.	INLET ASSY. - Air	9.211	14.	VALVES - In - Receiver assy.	9.195
7.	TUBE - Heater to demist duct	9.779	15.	GASKET - Housing to air intake	9.169
8.	CASE - Heater	9.779			



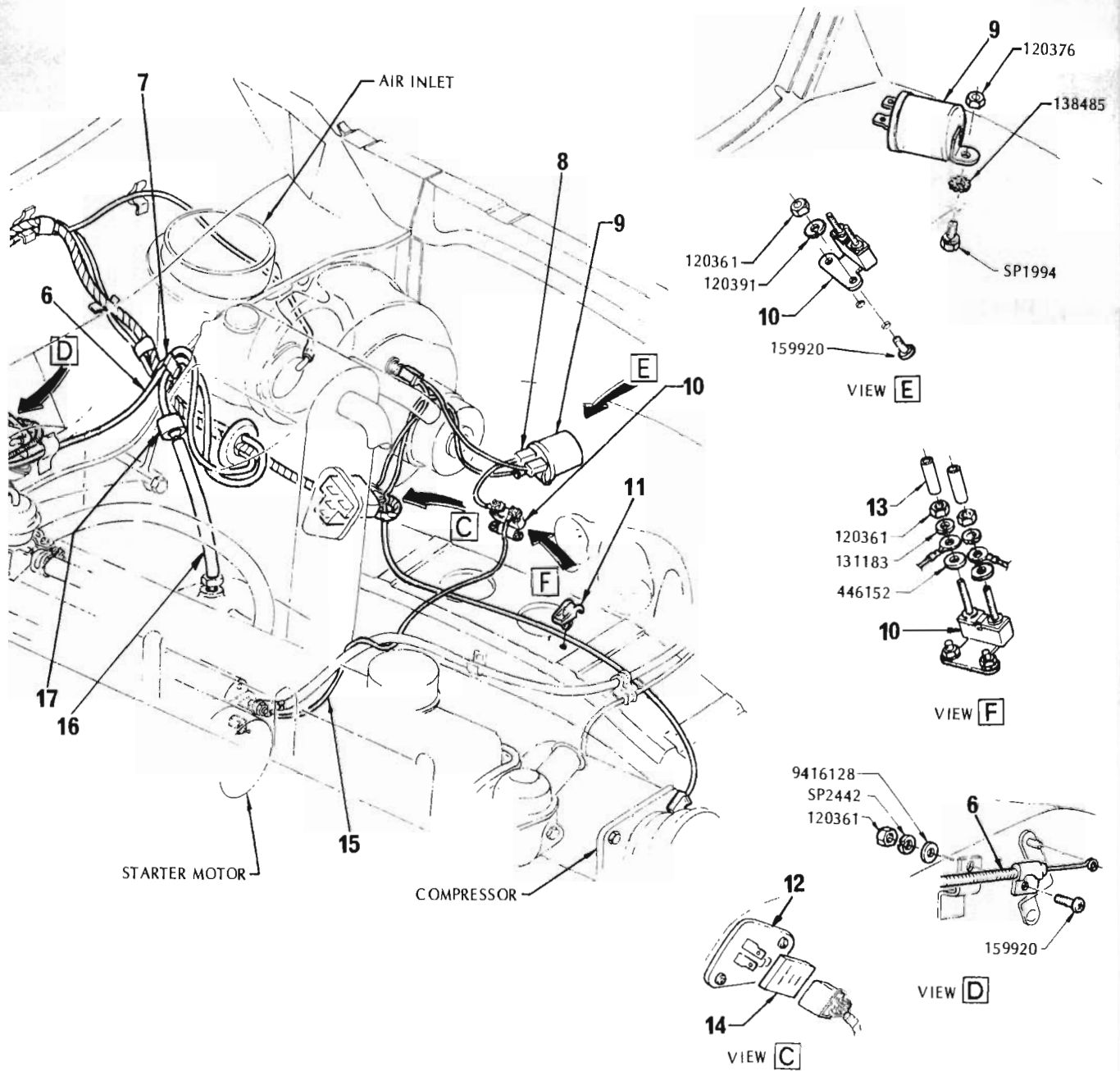
**AIR CONDITIONER
HEATER CASE and VACUUM ACTUATORS**

ILLUS. REF. NO.	PART NAME	GROUP	ILLUS. REF. NO.	PART NAME	GROUP
1.	CASE	9.779	10.	VANE - Vent outlet	9.779
2.	ACTUATOR - Interior control	9.280	11.	INSERT - Outlet housing	N.S.S.
3.	BRACKET - Interior control	9.280	12.	LINK - Demist control	9.280
4.	CLIP - Actuator link retainer	9.280	13.	NUT - Flanged	9.280
5.	LINK - Interior control	9.280	14.	ACTUATOR - Demist control	9.280
6.	LEVER - Interior door	9.280	15.	KNOB - Mode, temp. control	9.278
7.	LEVER - Demist door	9.280	16.	FACIA - Control	9.278
8.	DOOR ASSEMBLY - Demist	9.280			
9.					
10.	HOUSING ASSEMBLY - Vent outlet	9.779			



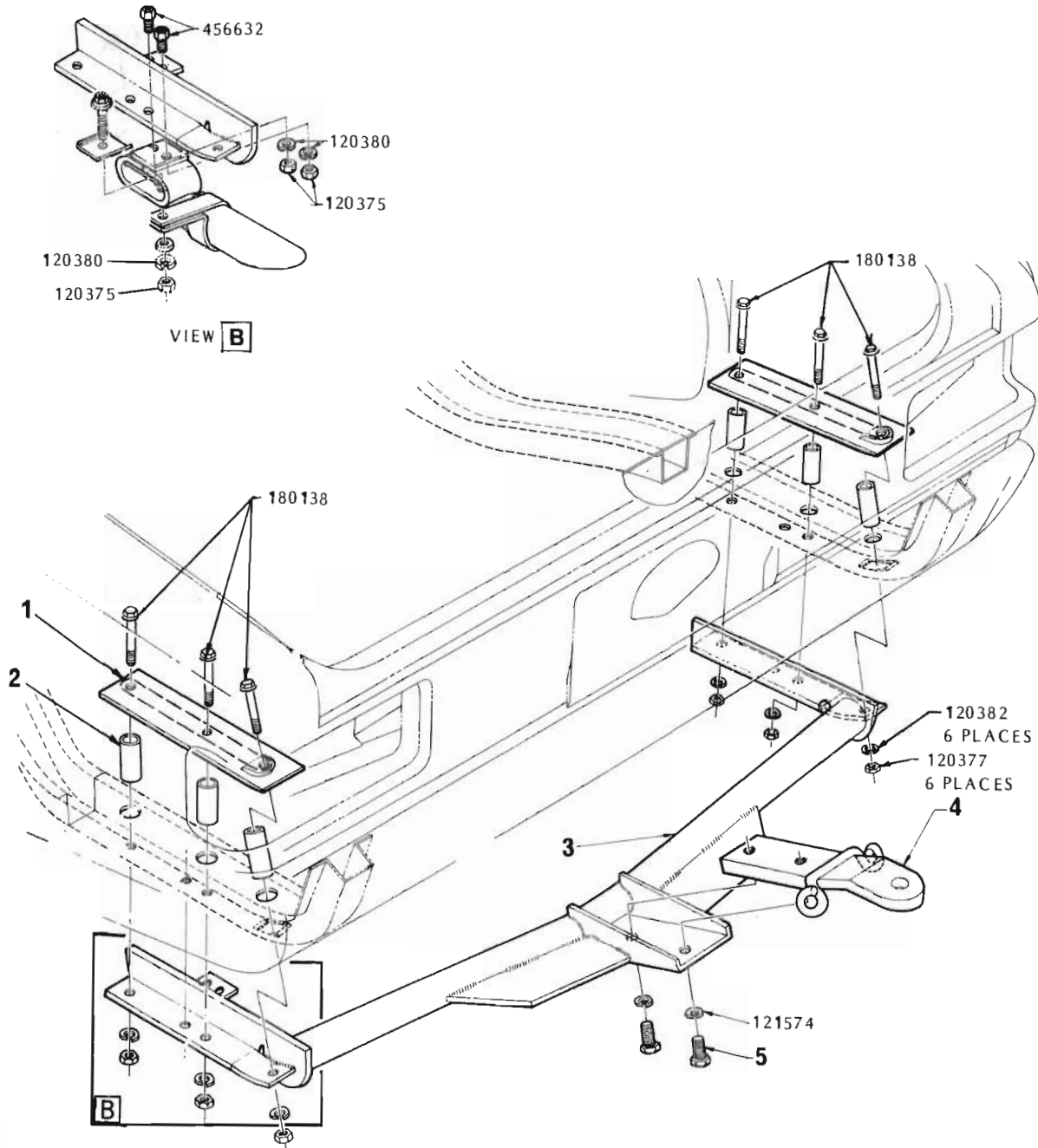
AIR CONDITIONING CONTROLS

ILLUS. REF. NO.	PART NAME	GROUP	ILLUS. REF. NO.	PART NAME	GROUP
1.	CONTROL ASSY.	9.779	4.	SWITCH ASSY. - Fan	9.275
2.	CABLE ASSY. - Heater control	9.779	5.	PANEL - Instrument harness fuse	2.481
3.	HARNESS ASSY. - Vacuum hose & wiring..	9.276			



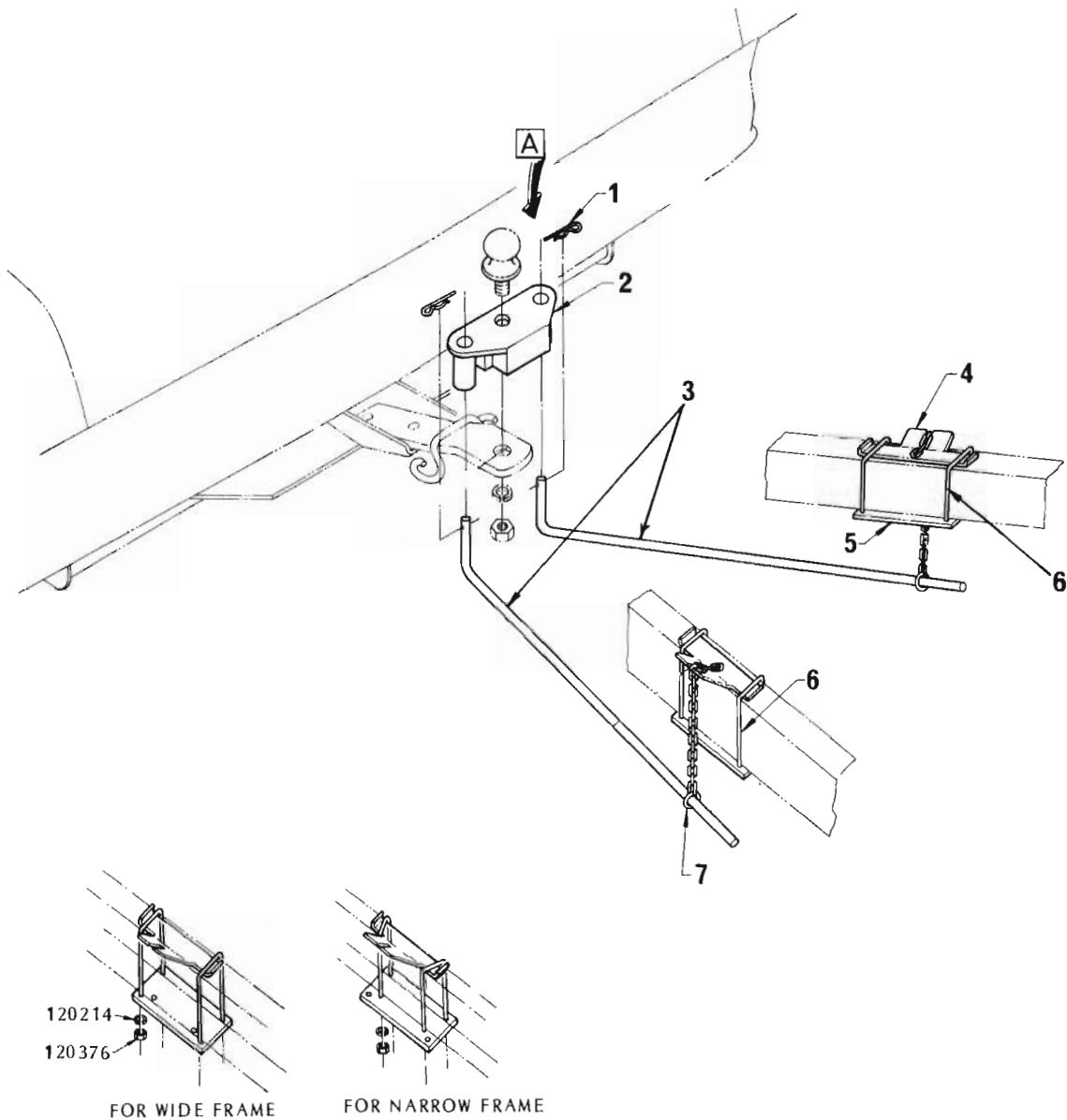
AIR CONDITIONING CONTROLS

ILLUS. REF. NO.	PART NAME	GROUP	ILLUS. REF. NO.	PART NAME	GROUP
6.	CABLE ASSY. — Heater control	9.779	12.	RESISTOR ASSY.	9.275
7.	TEE — Vacuum hose connector	9.281	13.	SLEEVE — Circuit breaker stud	9.275
8.	LEAD ASSY. — Circuit breaker to relay	9.276	14.	SEAL — Resistor	9.275
9.	RELAY ASSY.	9.275	15.	LEAD ASSY. — Starter motor to circuit breaker	9.276
10.	CIRCUIT BREAKER ASSY.	9.275	16.	HOSE — Inlet manifold to vacuum check valve	9.281
11.	CLIP — Compressor lead to side member	9.276	17.	VALVE ASSY. — Vacuum check	9.280



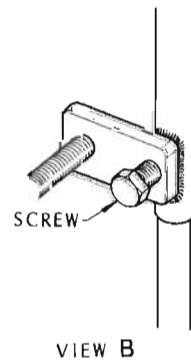
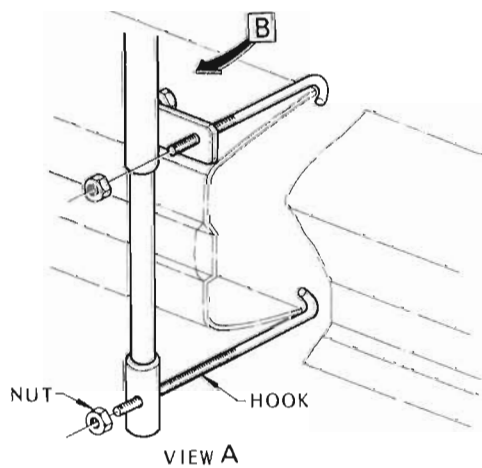
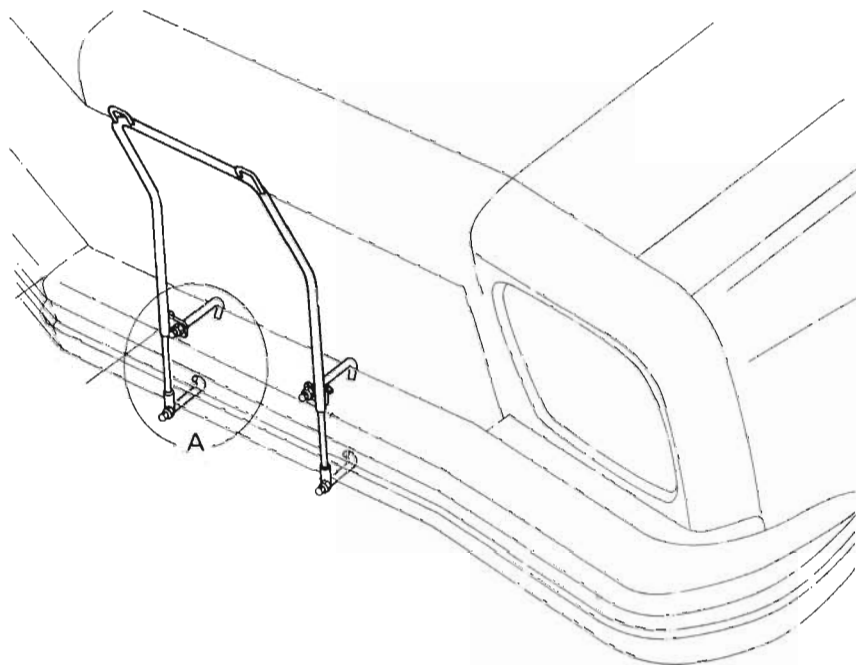
TOW BAR PACKAGE

ILLUS. REF. NO.	PART NAME	GROUP
1.	CLAMP PLATE	N.S.S.
2.	SPACER	N.S.S.
3.	TOW BAR ASSY.	9.600
4.	TONGUE - Tow bar	9.600
5.	BOLT - Tow bar tongue to tow bar	N.S.S.



TOW BAR LOAD LEVELLER PACKAGE

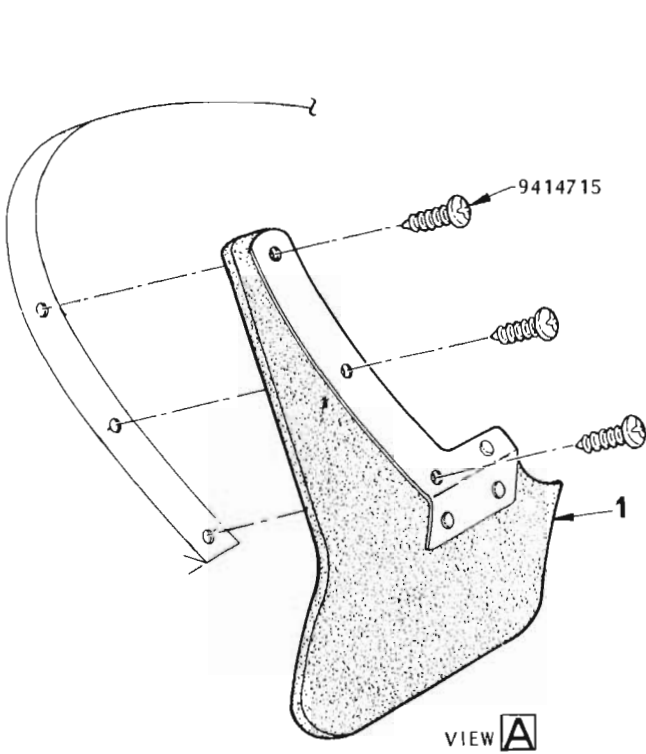
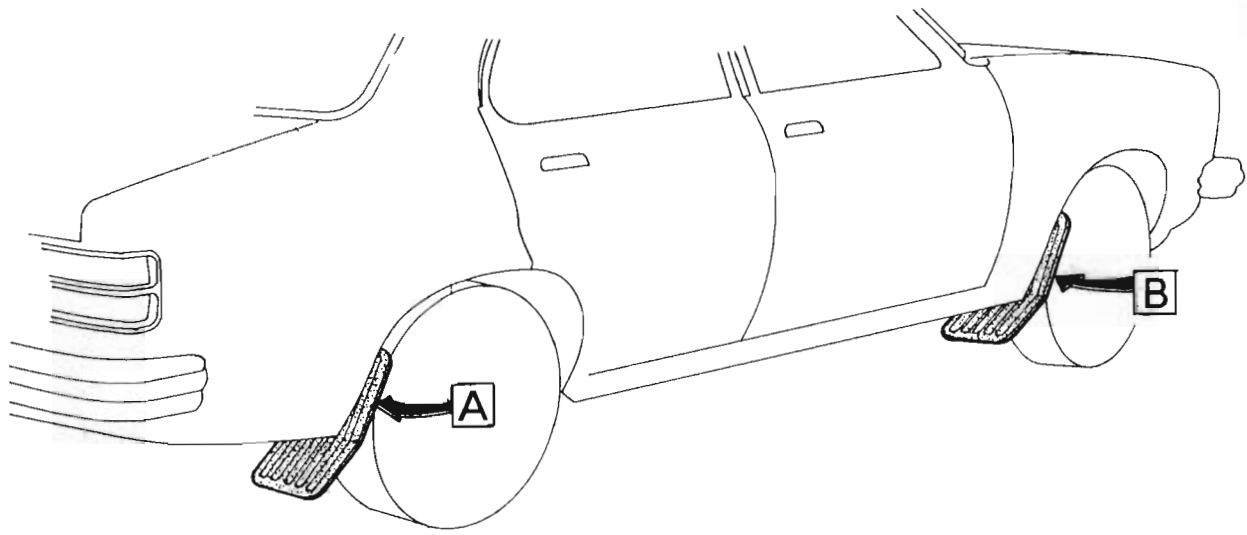
ILLUS. REF. NO.	PART NAME	GROUP
1.	PIN - Shaft retaining	9.600
2.	MOUNTING ASSEMBLY	9.600
3.	SHAFT	9.600
4.	PLATE - Chain	9.600
5.	PLATE - Clamp	9.600
6.	'U' BOLT	9.600
7.	CHAIN	9.600



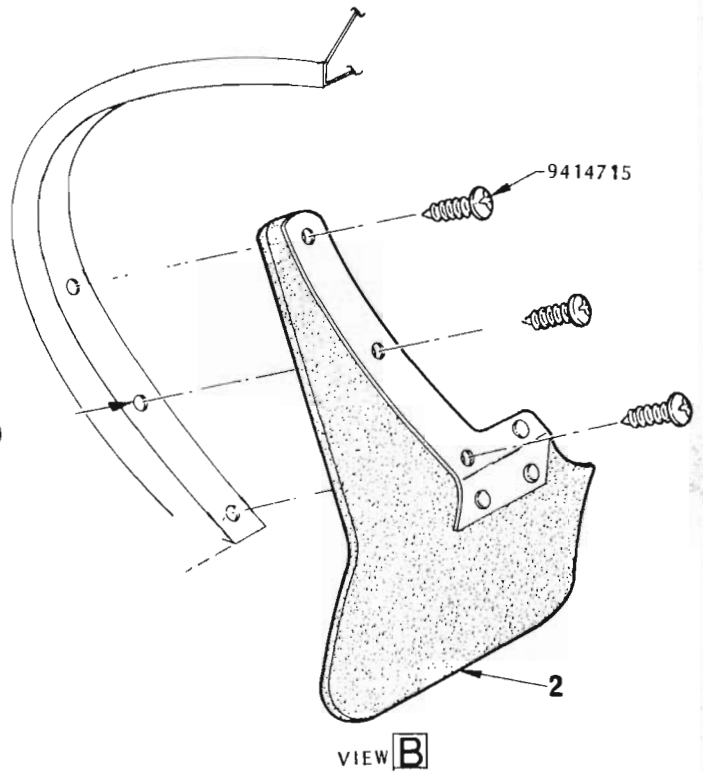
WATER BAG CARRIER

ILLUS. REF. NO.	PART NAME	GROUP
1.	WATER BAG CARRIER PACKAGE	9.608

NOTE: Component parts are not serviced separately.



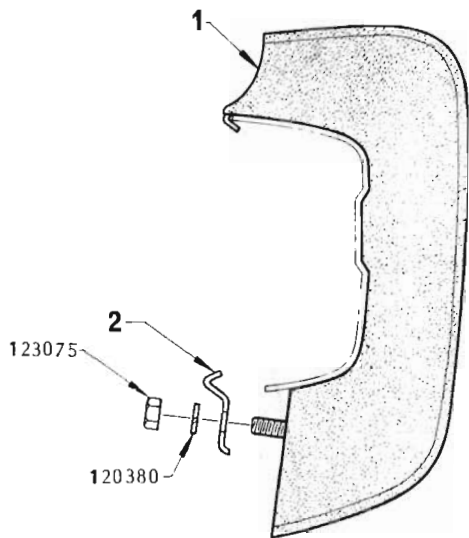
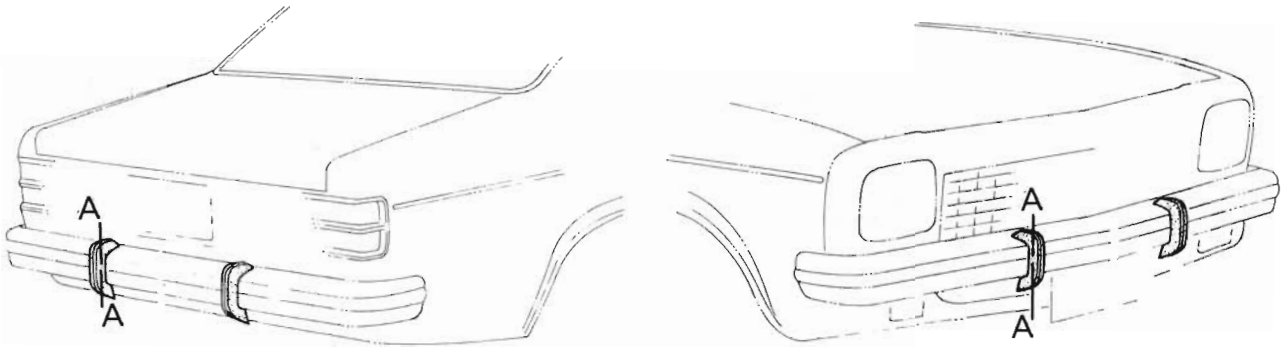
VIEW **A**



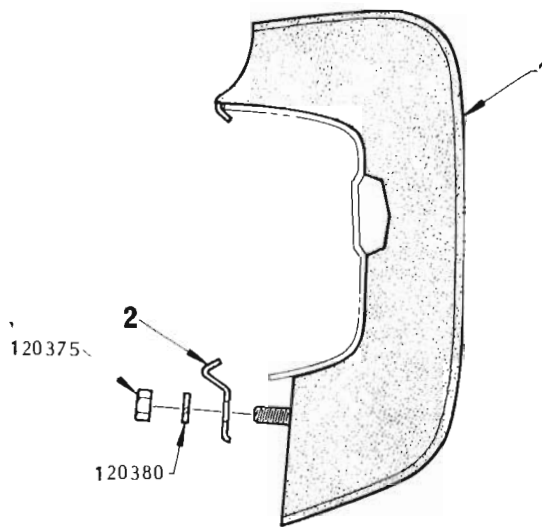
VIEW **B**

MUD DEFLECTOR PACKAGE

ILLUS. REF. NO.	PART NAME	GROUP
1.	DEFLECTOR — Rear	9.620
2.	DEFLECTOR — Front	9.620



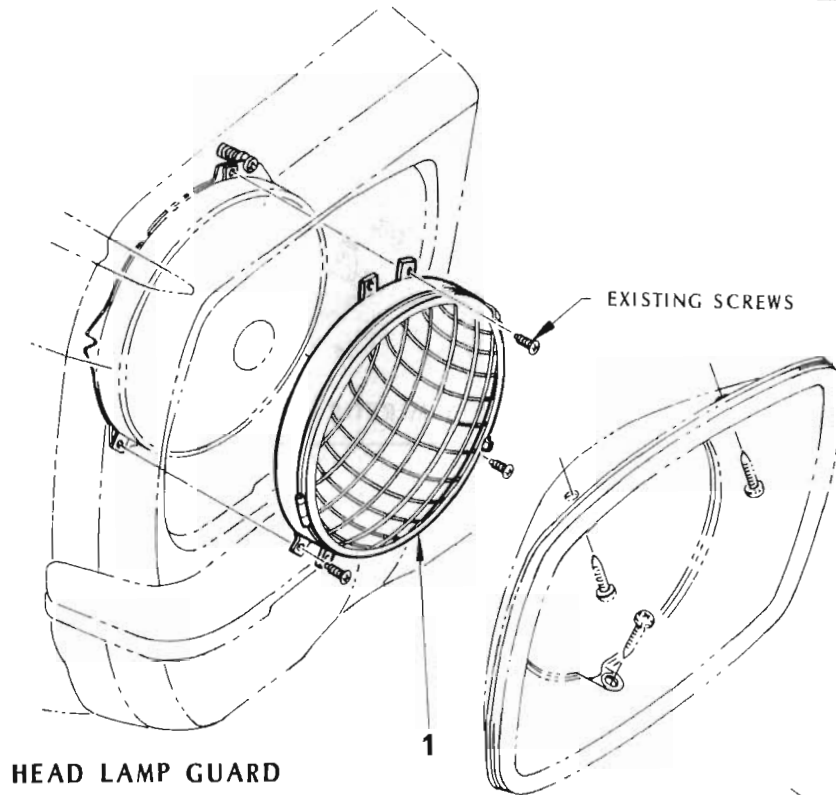
SECTION A - A
 BUMPER BARS
 WITHOUT RUBBING STRIP



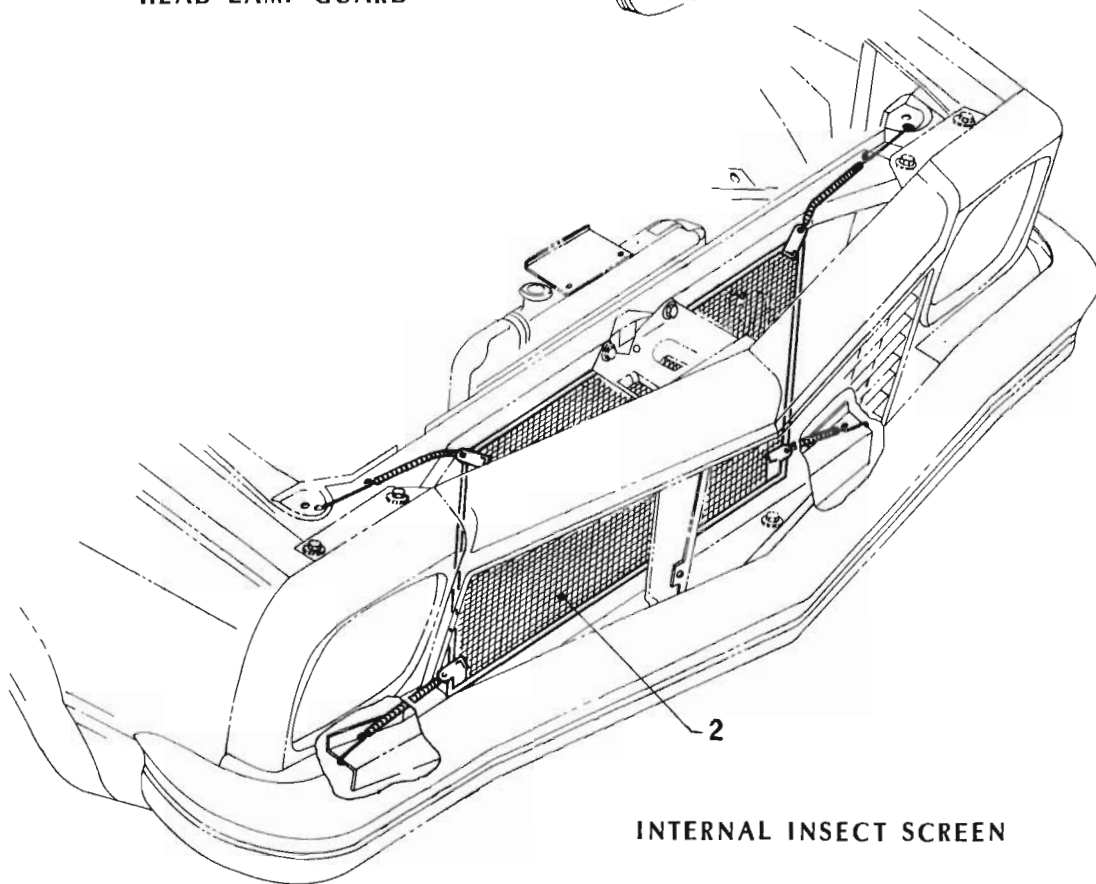
SECTION A - A
 BUMPER BARS
 WITH RUBBING STRIP

BUMPER GUARD PACKAGE

ILLUS. REF. NO.	PART NAME	GROUP
1.	GUARD - Bumper	N.S.S.
2.	BRACKET - Guard retaining	9.624

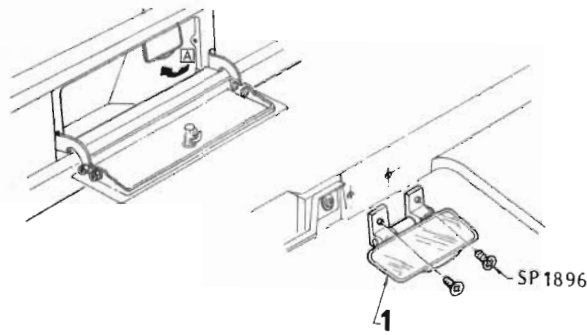


HEAD LAMP GUARD

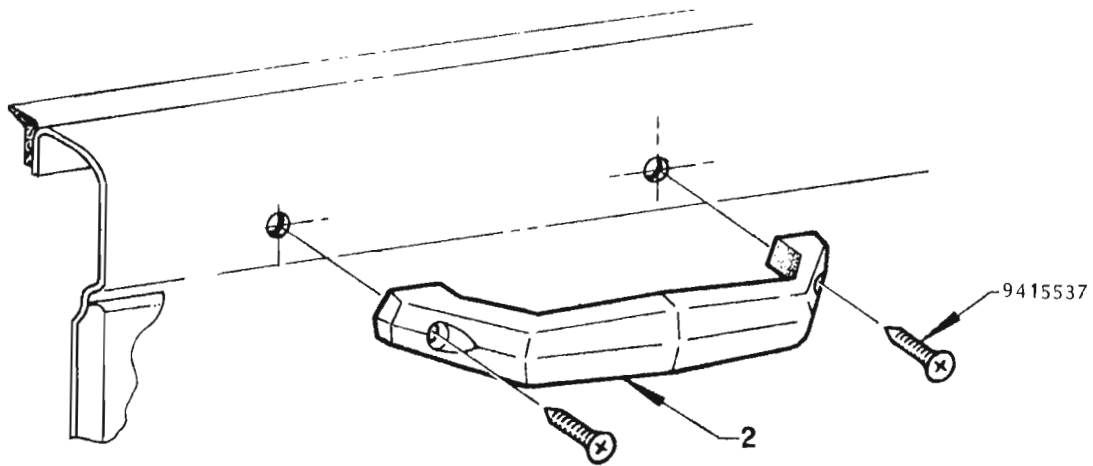


INTERNAL INSECT SCREEN

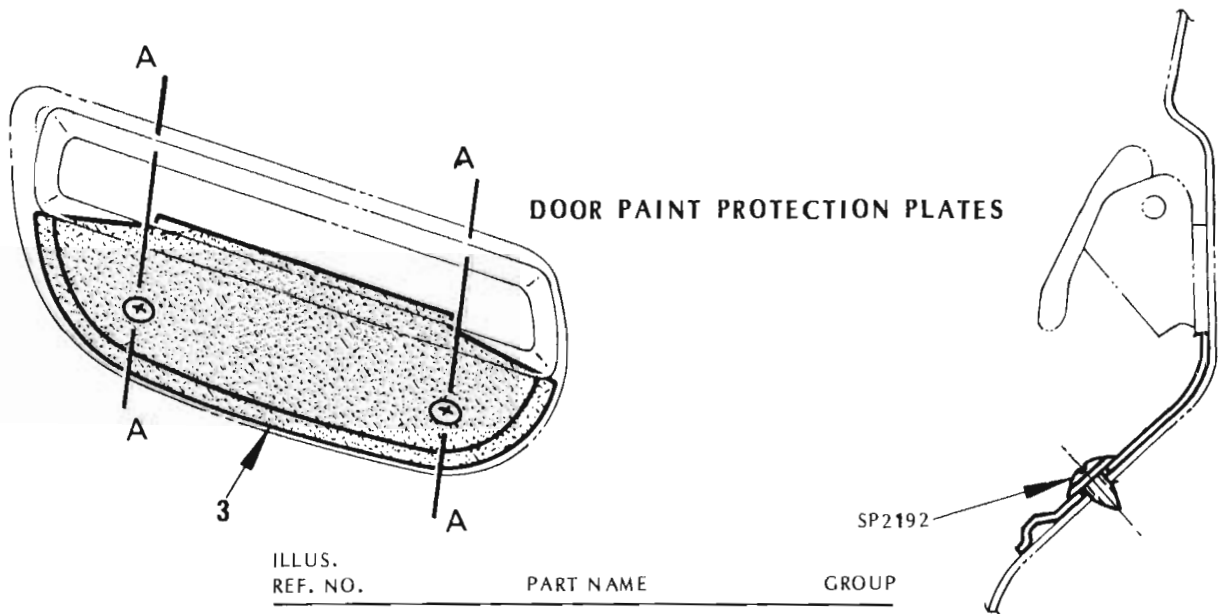
ILLUS. REF. NO.	PART NAME	GROUP
1.	GUARD PACKAGE – Headlamp slone	9.624
2.	SCREEN PACKAGE – Radiator insect	9.665



VANITY MIRROR



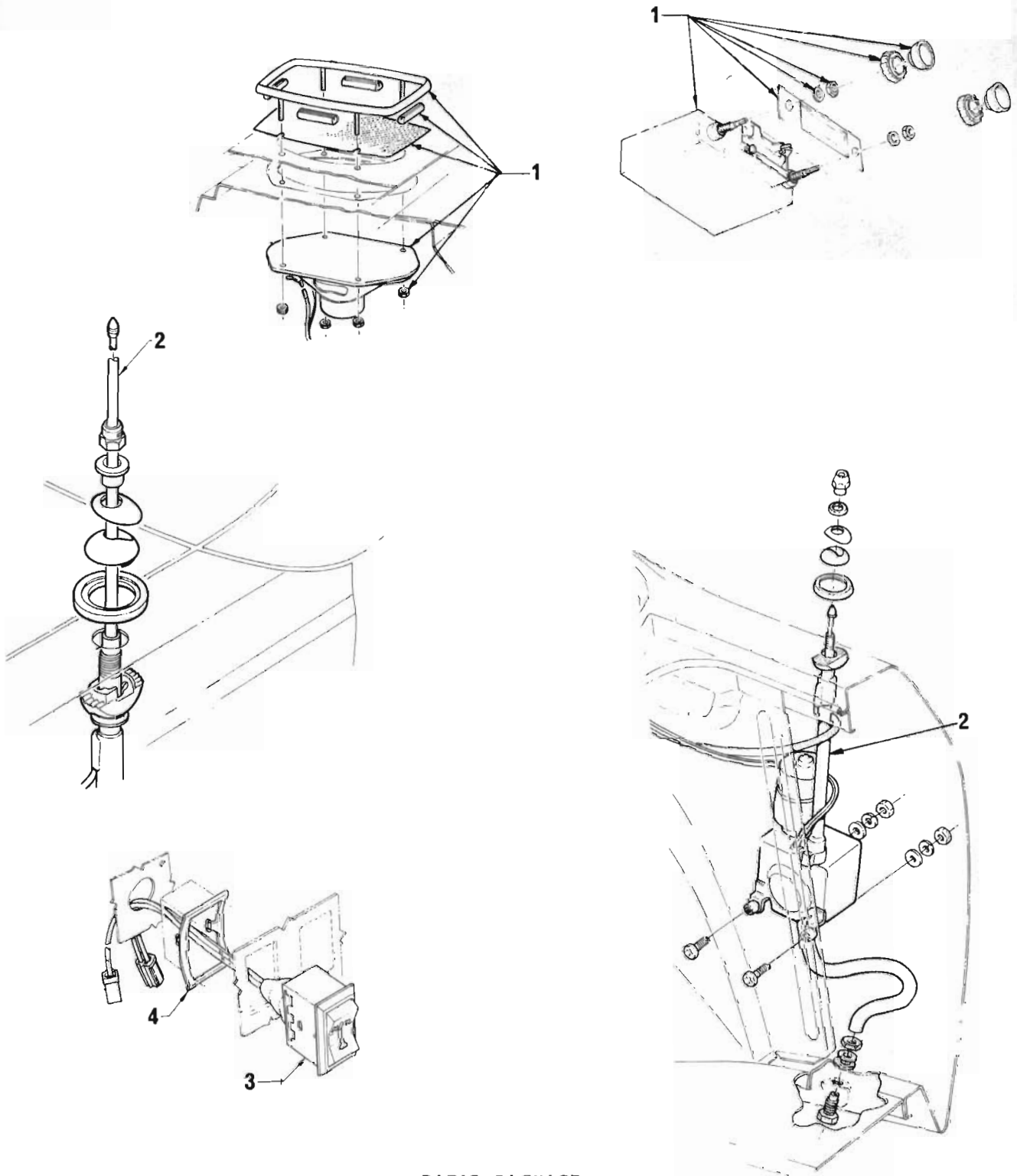
DOOR PULL TO HANDLE



DOOR PAINT PROTECTION PLATES

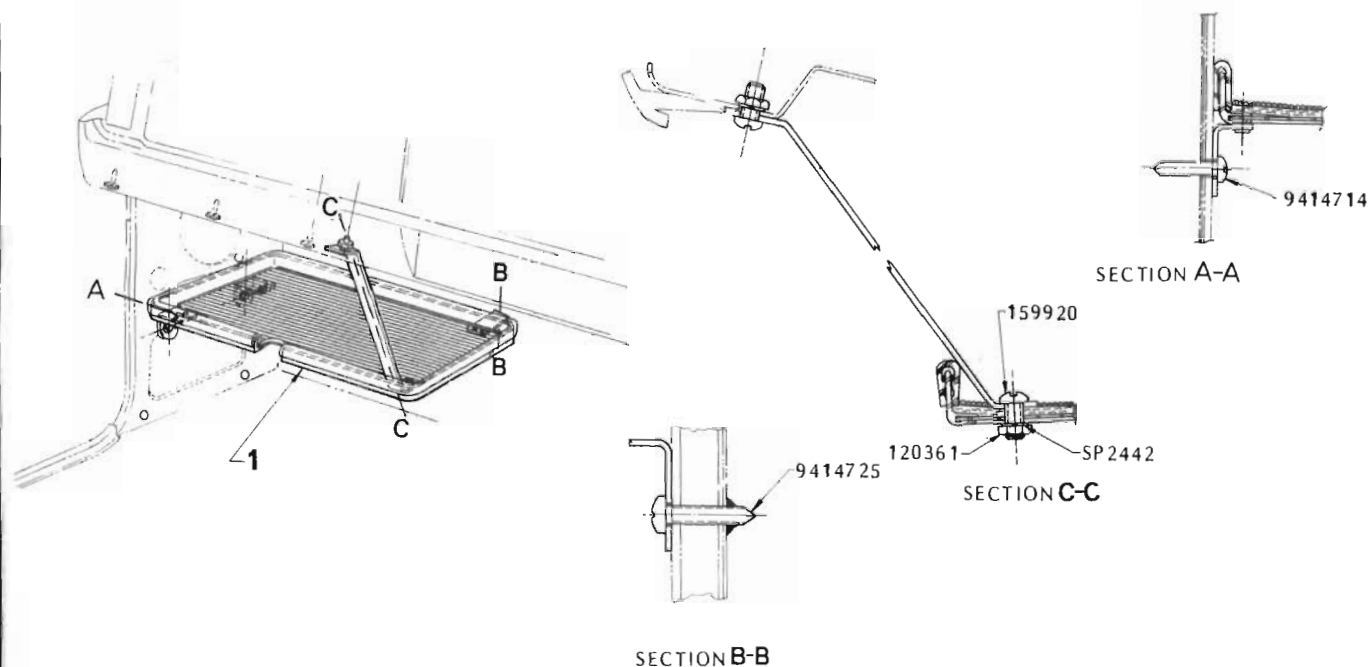
ILLUS. REF. NO.	PART NAME	GROUP
1.	MIRROR PACKAGE - Vanity	10.222
2.	HANDLE - Door pull to	9.640
3.	PLATE - Door paint protection	9.658

SECTION A-A

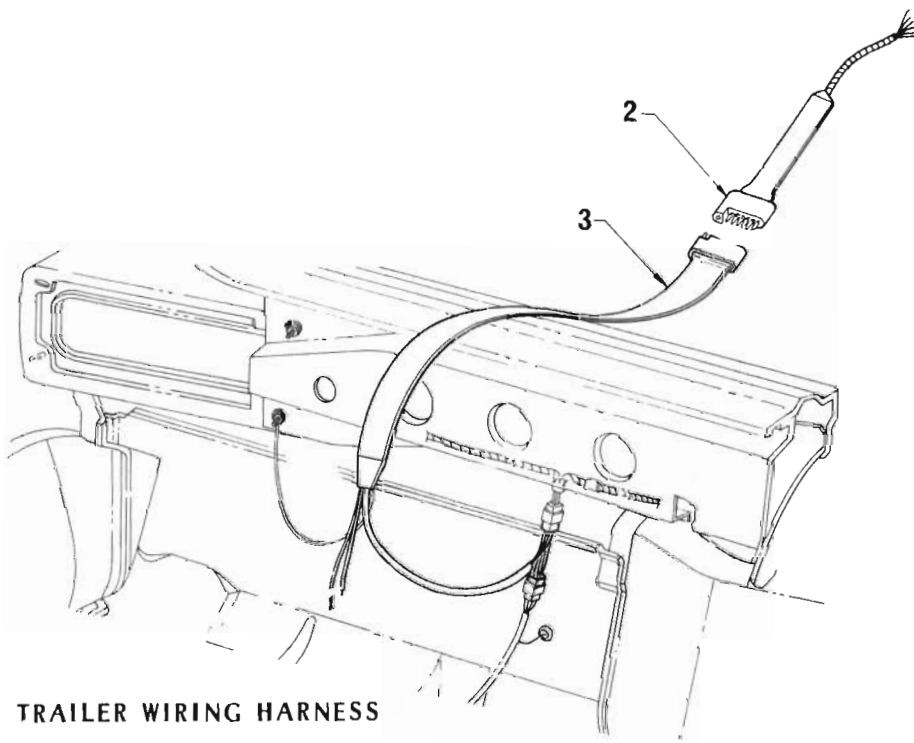


RADIO PACKAGE

ILLUS. REF. NO.	PART NAME	GROUP
1.	RADIO PACKAGE	9.662
2.	ANTENNA PACKAGE	9.662
3.	SWITCH - Electric antenna	9.662
4.	RETAINER - Antenna switch	9.662

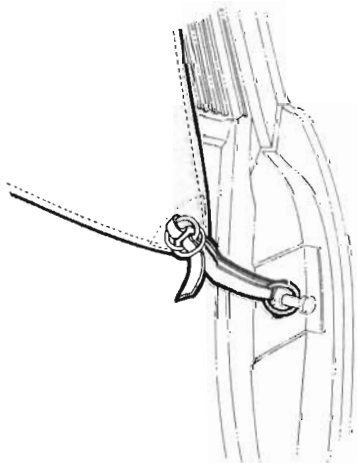
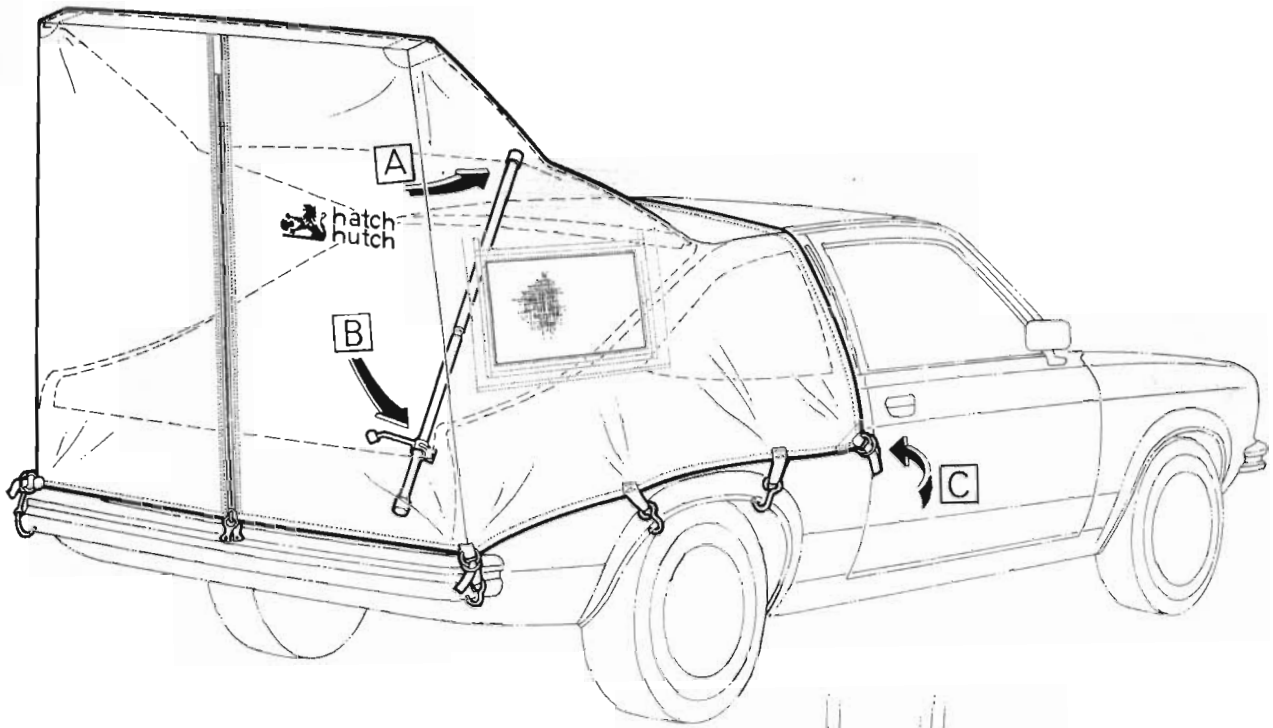


PARCEL SHELF PACKAGE



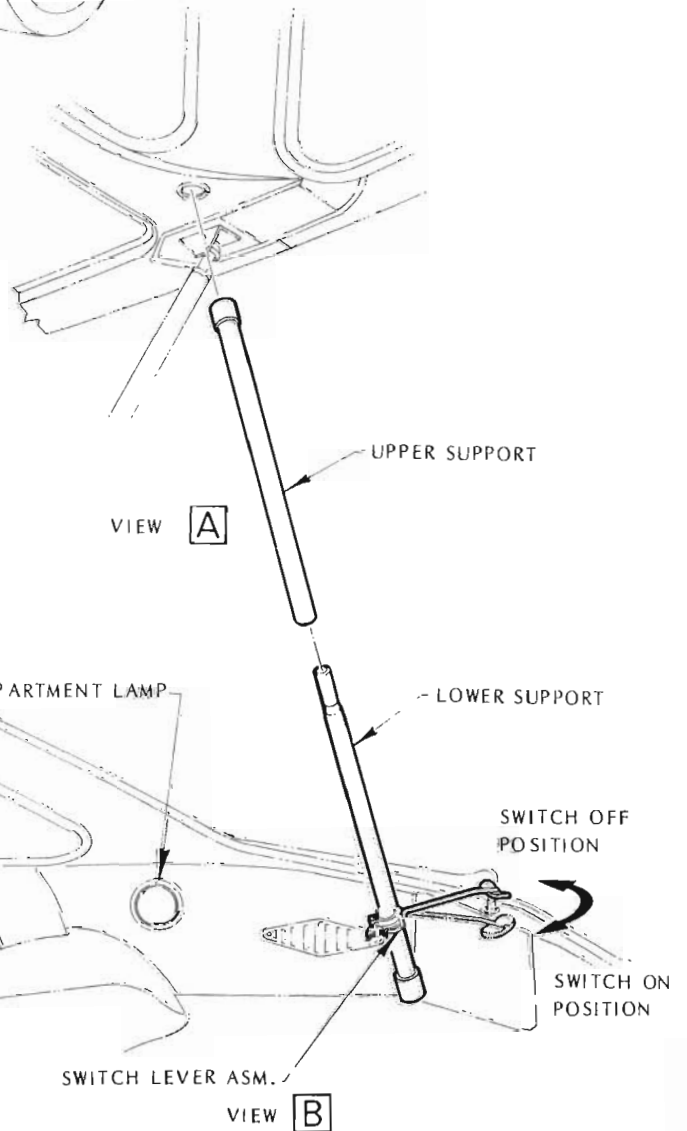
TRAILER WIRING HARNESS

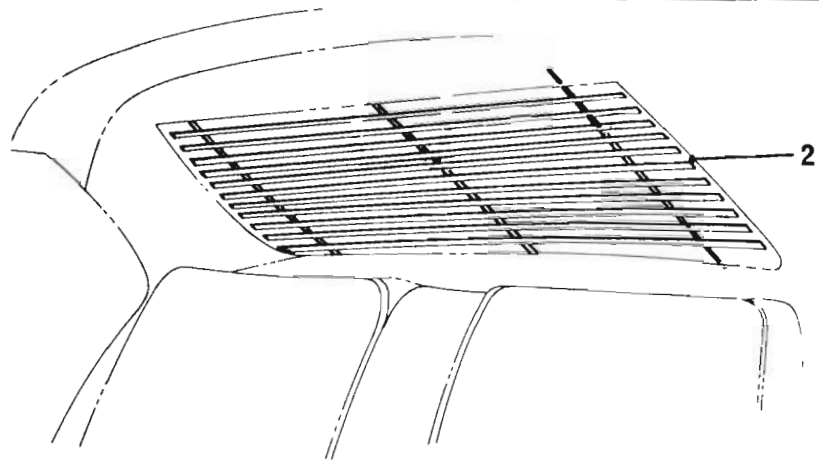
ILLUS. REF. NO.	PART NAME	GROUP
1.	SHELF PACKAGE – Parcel	9.672
2-3.	HARNESS PACKAGE – Trailer wiring	9.644



HATCH HUTCH PACKAGE

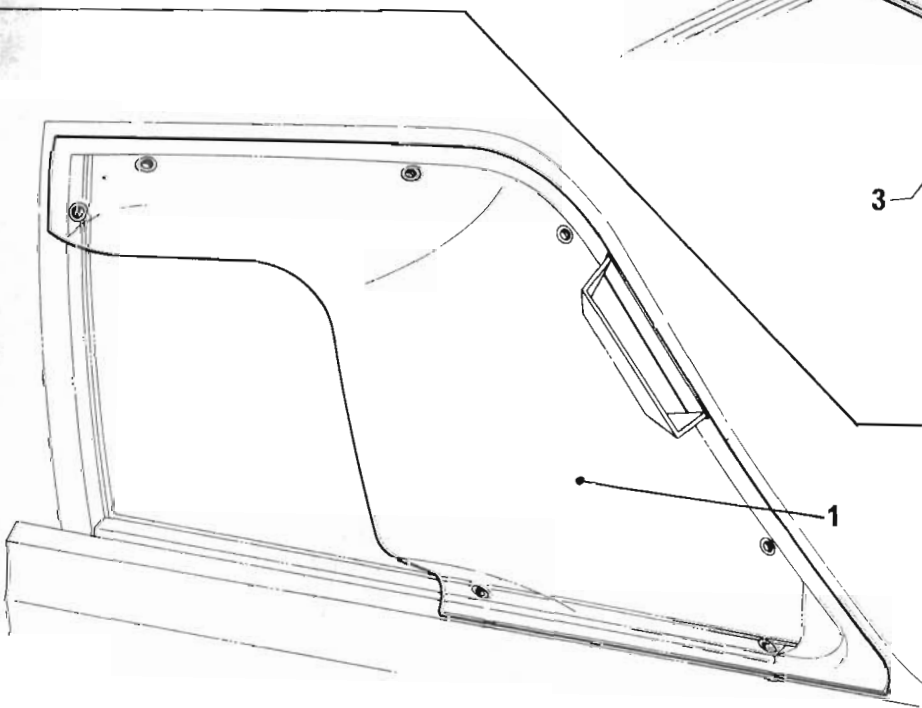
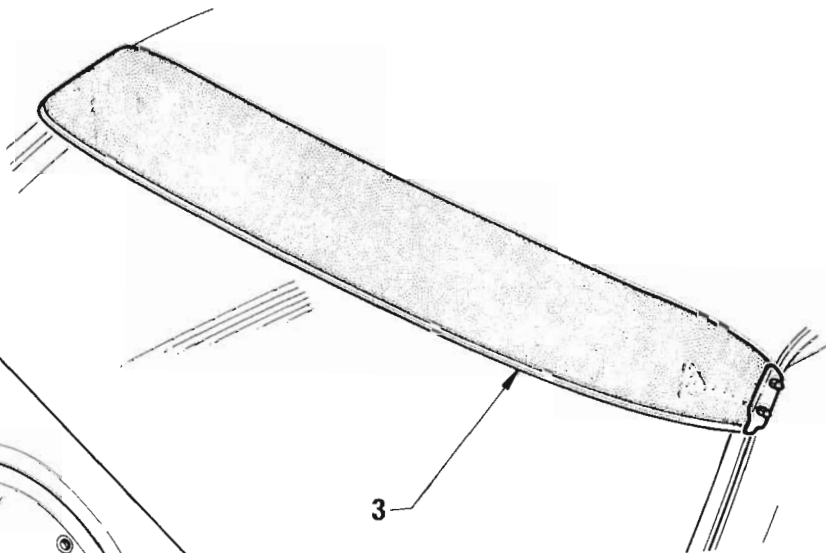
REFER GROUP 9.685





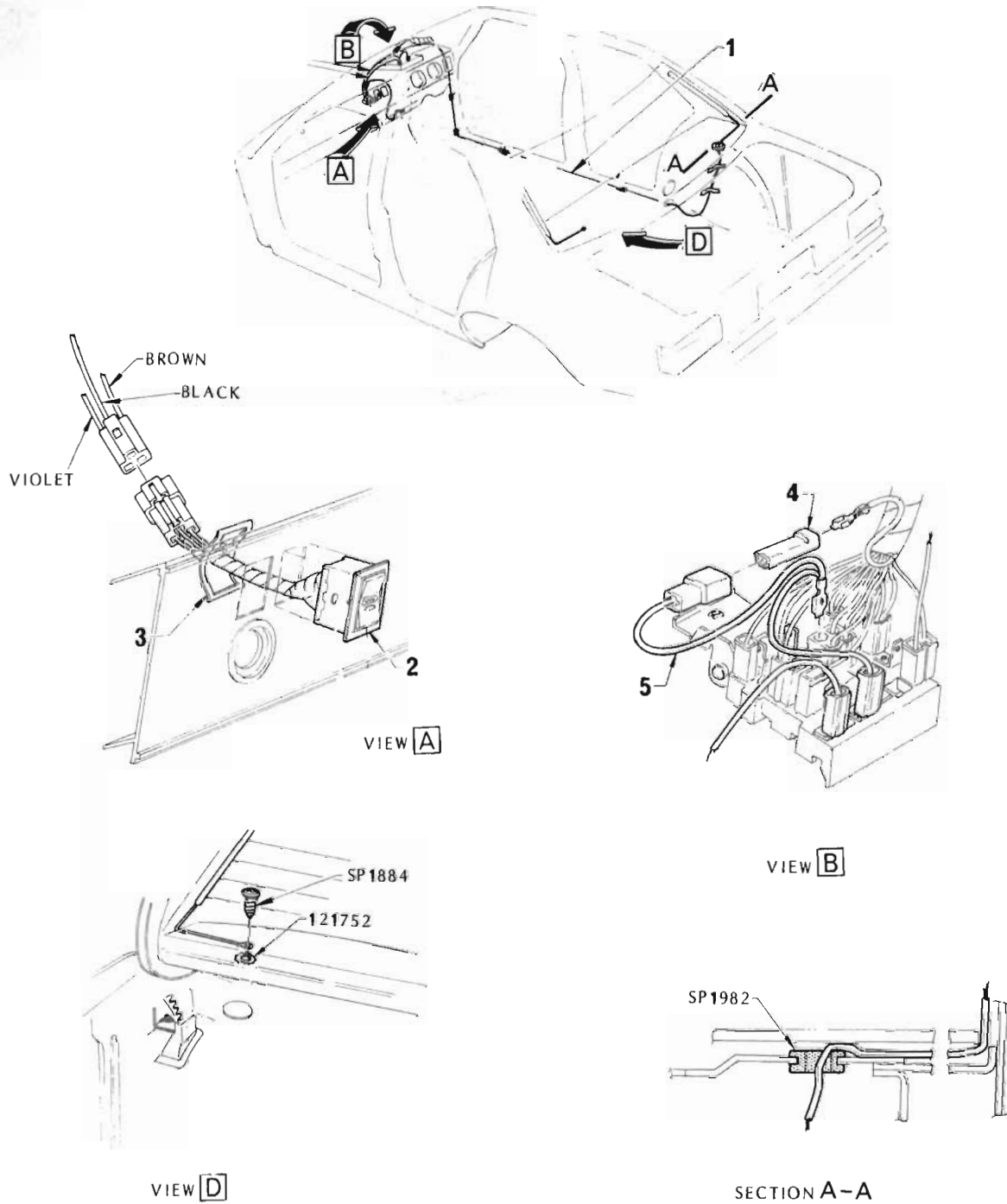
REAR WINDOW VENETIAN SHADE

EXTERIOR SUNSHADE



DOOR WEATHERSHIELD

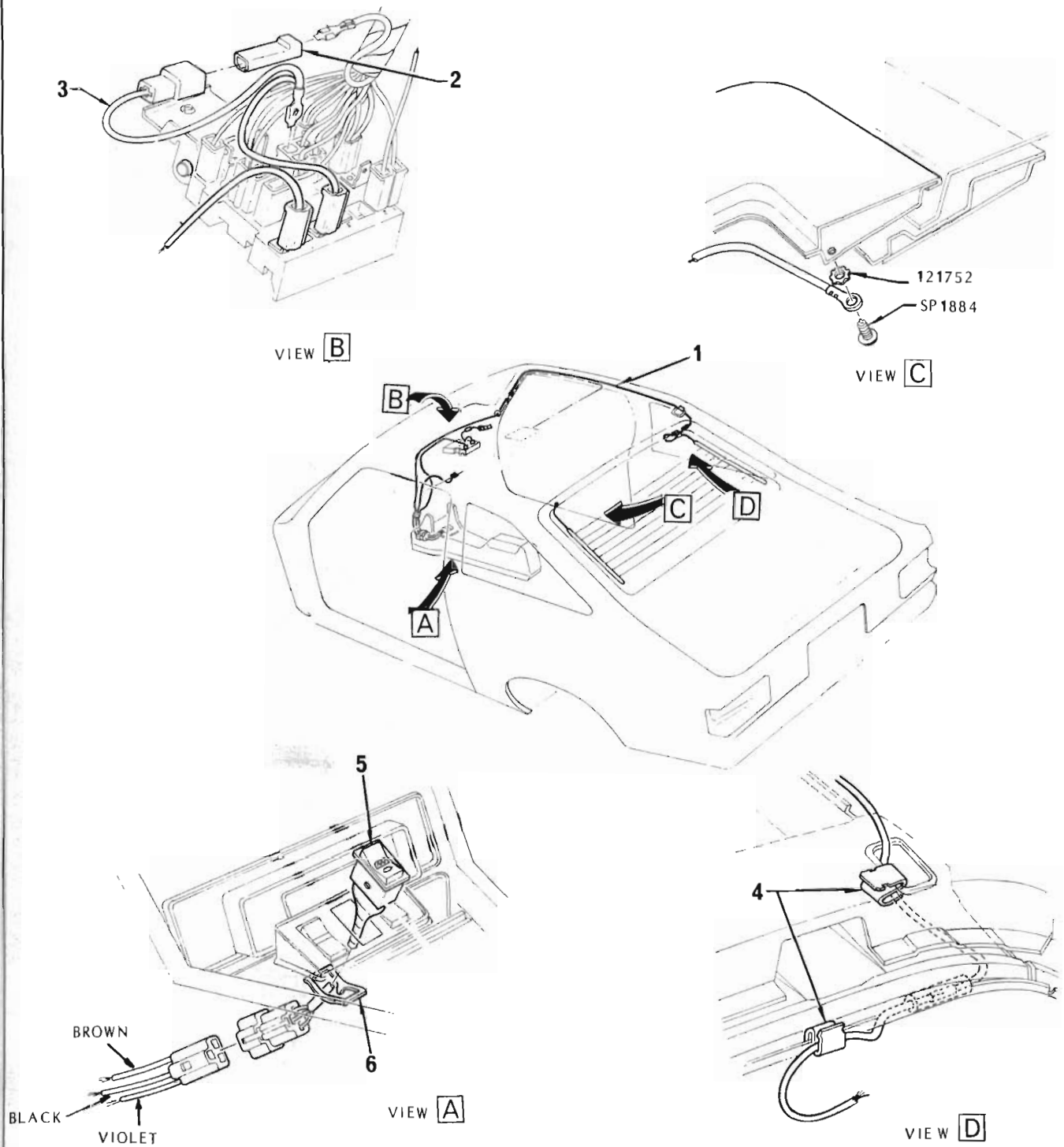
ILLUS. REF. NO.	PART NAME	GROUP
1.	WEATHERSHIELD PACKAGE	9.684
2.	SHADE PACKAGE - Venetian	9.668
3.	SUNSHADE PACKAGE	9.960



HEATED REAR WINDOW

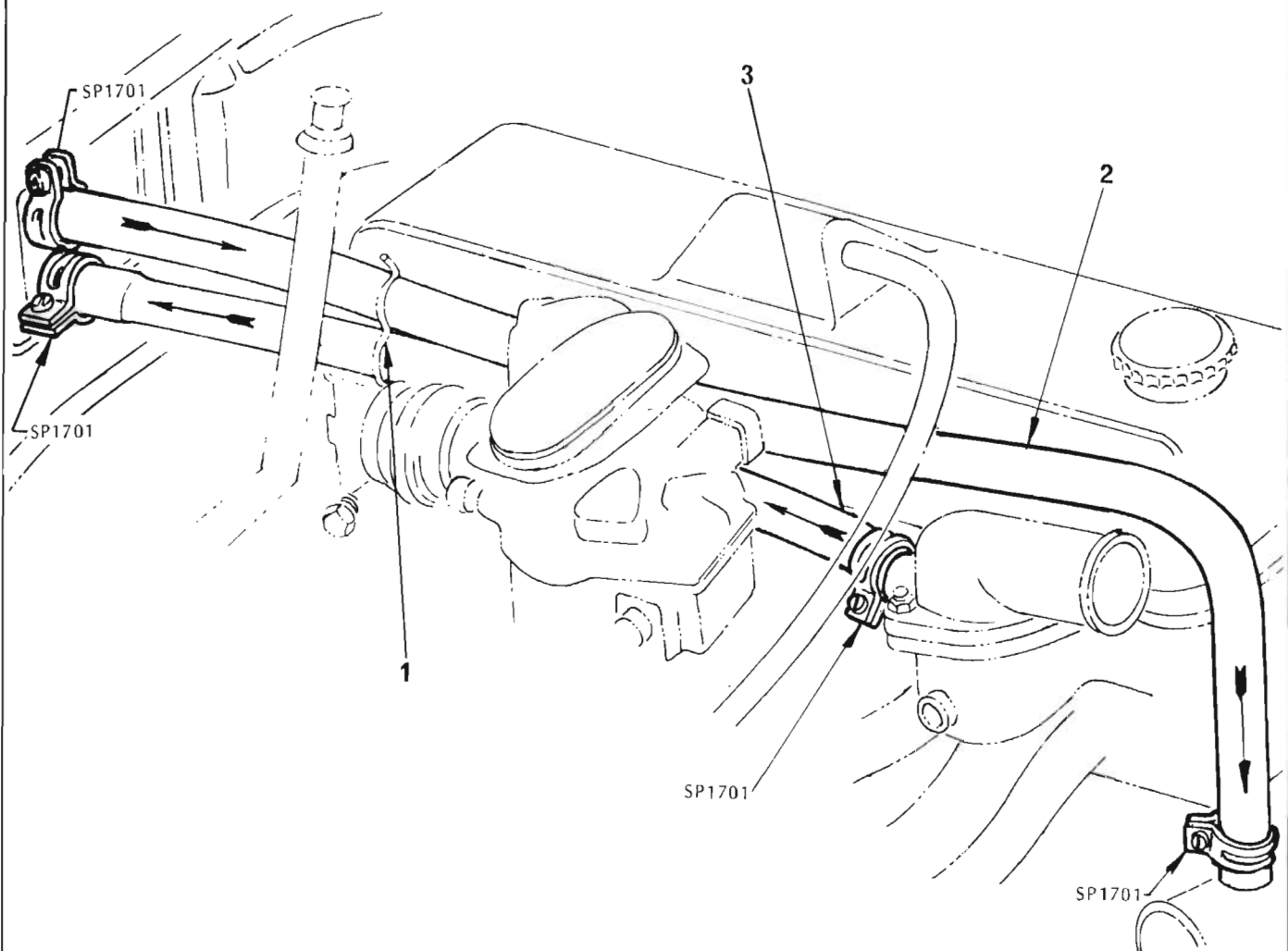
69 Body Styles

ILLUS. REF. NO.	PART NAME	GROUP
1.	LEAD ASSEMBLY – Rear window	9.778
2.	SWITCH ASSEMBLY	9.778
3.	SPRING – Switch retaining	9.778
4.	BODY – Fuse connecting	9.778
5.	LEAD ASSEMBLY – Fuse	9.778



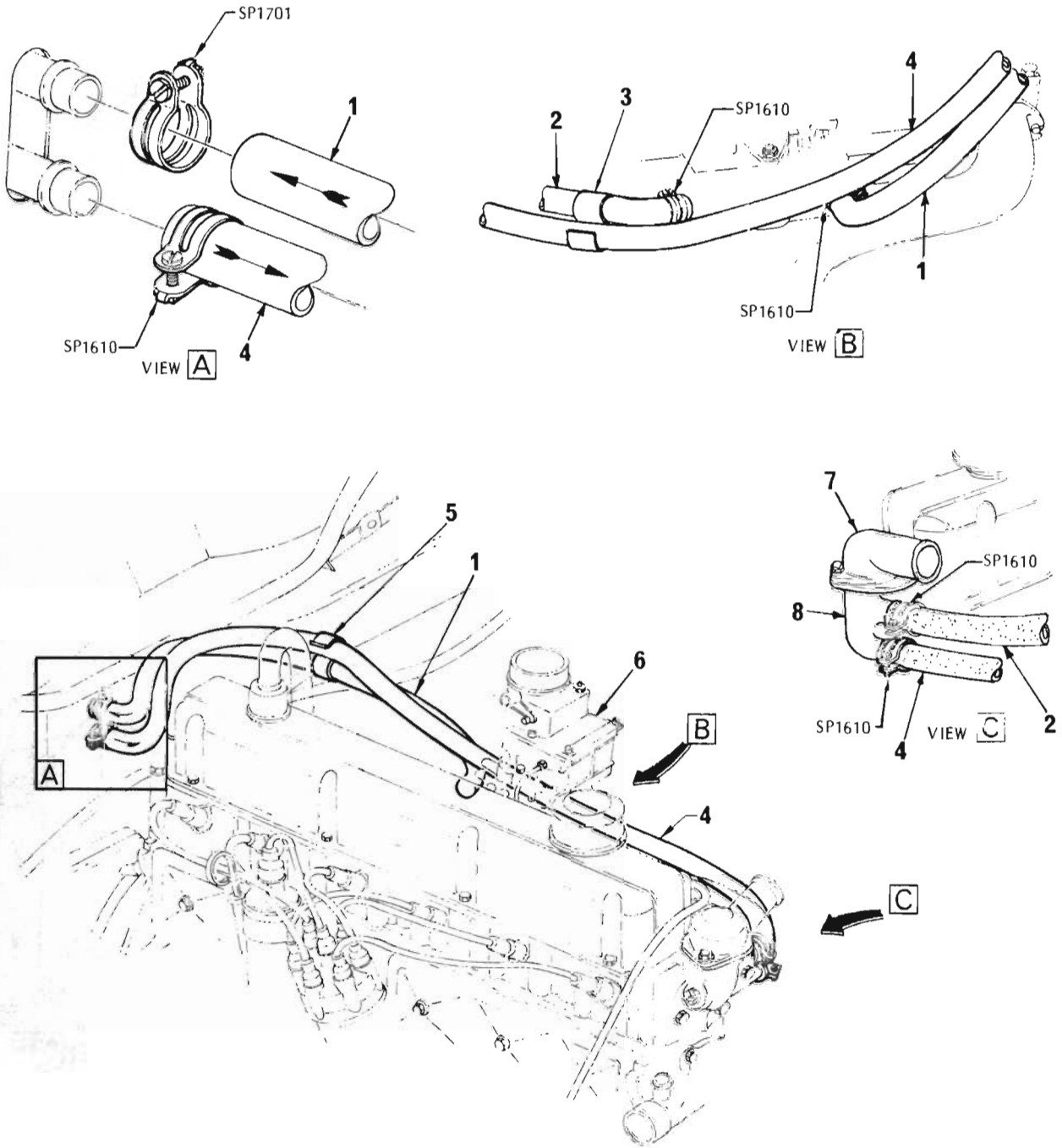
HEATED REAR WINDOW
77 Body Styles

ILLUS. REF. NO.	PART NAME	GROUP
1.	LEAD ASSY. - Rear window	9.778
2.	BODY - Fuse connecting	9.778
3.	LEAD ASSY. - Fuse	9.778
4.	CLIP - Lead retaining	9.778
5.	SWITCH ASSEMBLY	9.778
6.	SPRING - Switch retaining	9.778



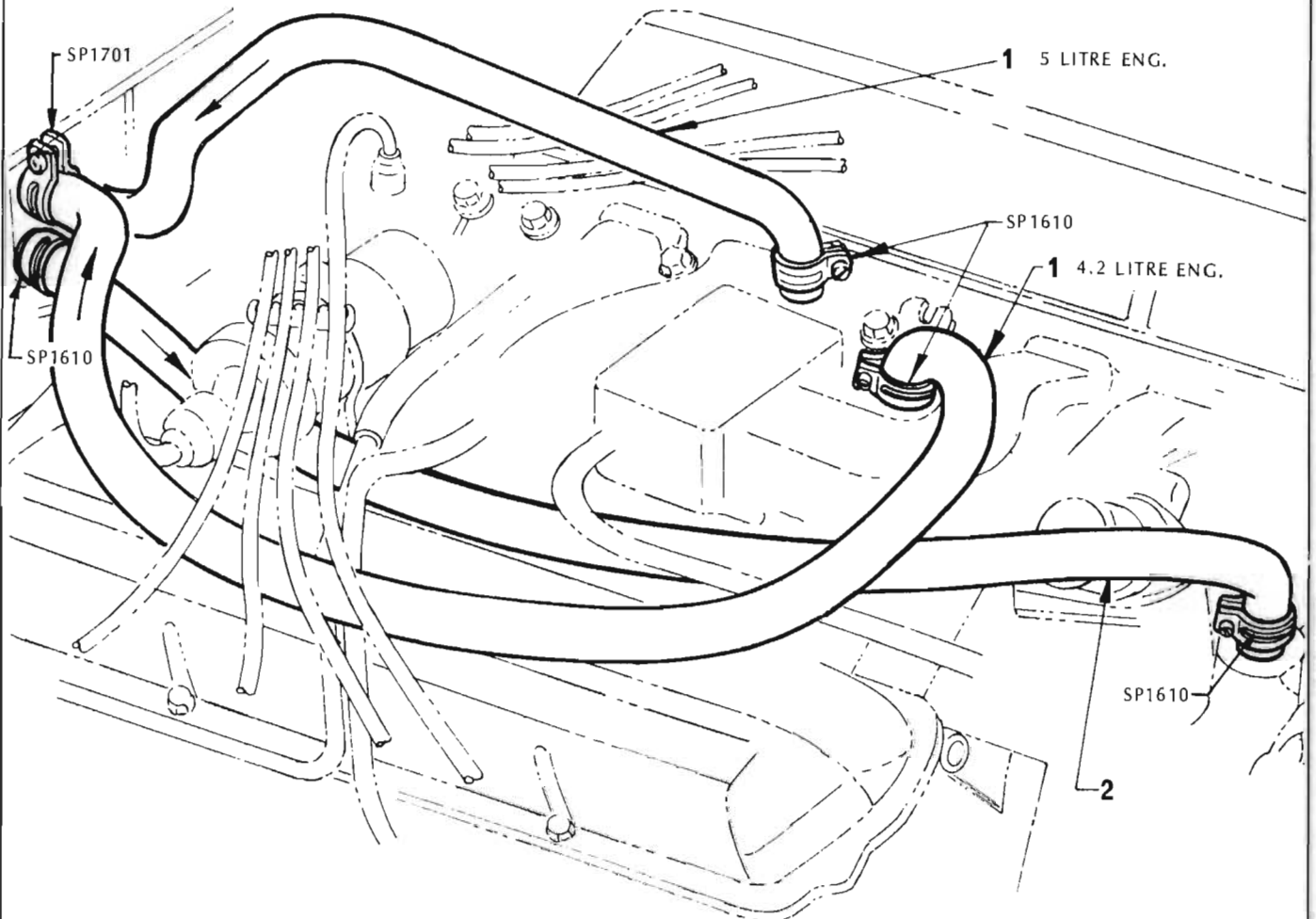
HEATER HOSES
4 CYLINDER ENGINE

ILLUS. REF. NO.	PART NAME	GROUP
1.	CLIP — Heater hoses to rocker cover	9.779
2.	HOSE — Heater outlet to water pump	9.779
3.	HOSE — Heater inlet to thermostat housing	9.779



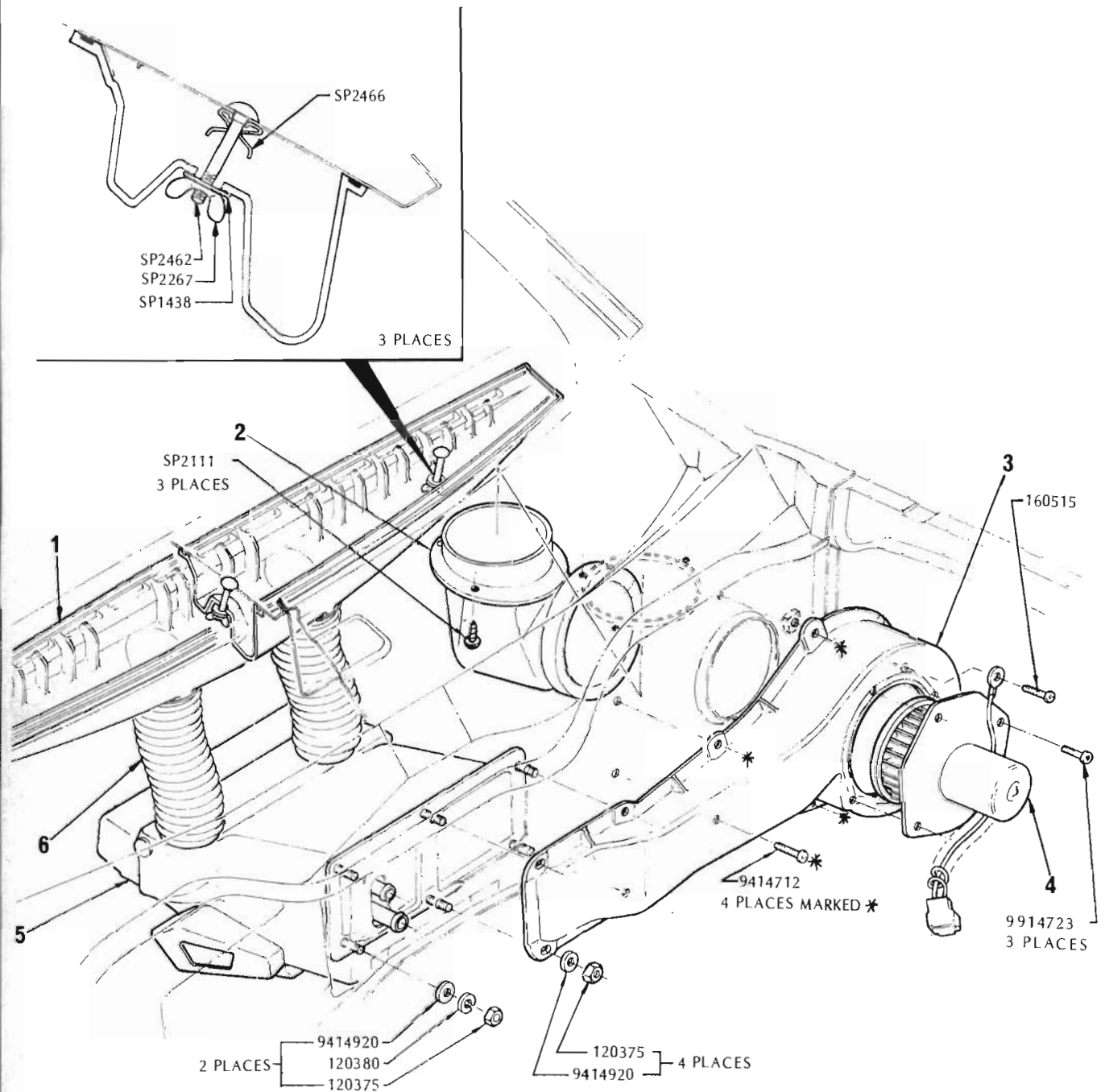
HEATER HOSES
6 Cylinder Engine

ILLUS. REF. NO.	PART NAME	GROUP	ILLUS. REF. NO.	PART NAME	GROUP
1.	HOSE - Heater inlet to manifold	9.779	5.	CLIP - Inlet to outlet hose	9.779
2.	HOSE - Inlet manifold water	3.260	6.	CARBURETTOR ASSY.	3.725
3.	CLIP - Outlet hose to manifold hose	9.779	7.	OUTLET - Cyl. head water	1.153
4.	HOSE - Heater outlet to thermo housing ..	9.779	8.	HOUSING - Thermostat	1.251



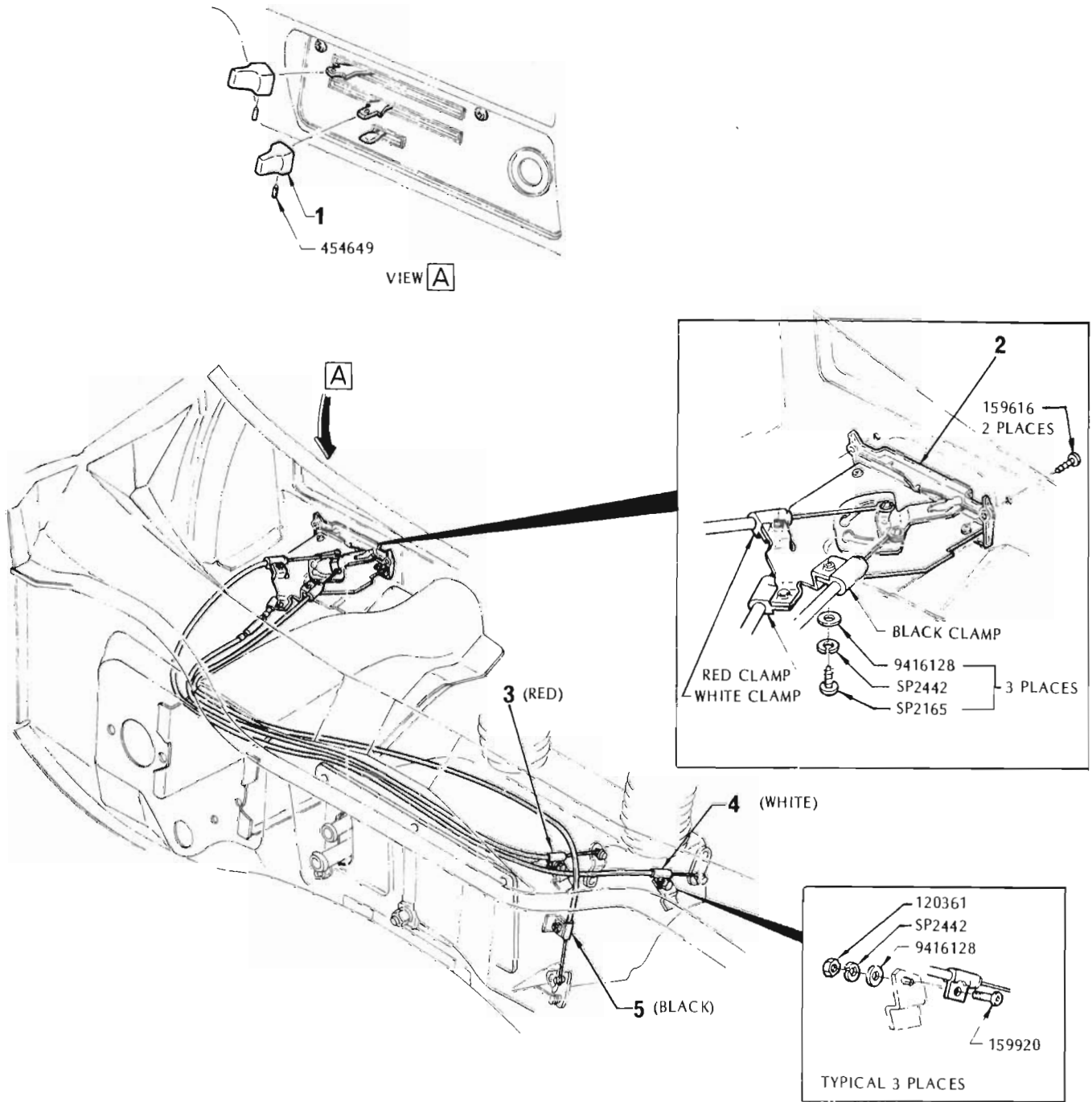
HEATER HOSES
8 CYLINDER ENGINE

ILLUS. REF. NO.	PART NAME	GROUP
1.	HOSE - Heater inlet to manifold	9.779
2.	HOSE - Heater outlet to water pump	9.779



HEATER and DEMISTER

ILLUS. REF. NO.	PART NAME	GROUP	ILLUS. REF. NO.	PART NAME	GROUP
1.	DUCT ASSY. — Demist	9.779	4.	MOTOR & BLOWER ASSY. — Heater	9.779
2.	INLET ASSY. — Heater air	9.779	5.	CASE — Heater	9.779
3.	HOUSING ASSY. — Heater blower duct	9.779	6.	TUBE — Heater to demist duct	9.779



HEATER CONTROLS

ILLUS. REF. NO.	PART NAME	GROUP	ILLUS. REF. NO.	PART NAME	GROUP
1.	KNOB — Heater control lever	9.779	4.	CABLE ASSY. — Demist control	9.779
2.	CONTROL ASSY. — Heater	9.779	5.	CABLE ASSY. — Interior control	9.779
3.	CABLE ASSY. — Heater control	9.779			

TORANA "LX" PARTS CATALOGUE

GROUP	DESCRIPTION	MODEL	SIDE	PART No.	QTY.
9.127 LACING — Hood ledge					
	Refer Group 8.010				
9.169 AIR CONDITIONER					
AIR CONDITIONER PACKAGE - Complete (Accessory)	6 Cyl. Eng.	RIGHT HAND DRIVE		(M37578) ✓	1
AIR CONDITIONER PACKAGE - Complete (Accessory)	8 Cyl. Eng.	RIGHT HAND DRIVE		(M37571) ✓	1
AIR CONDITIONER PACKAGE - Basic		RIGHT HAND DRIVE		(58) 9936079	1
		LEFT HAND DRIVE		(58) 9934483	1
AIR CONDITIONER PACKAGE - Water parts & refrigerant hoses	4 Cyl. Eng.	RIGHT HAND DRIVE		(58) 9936076	1
AIR CONDITIONER PACKAGE - Water parts & refrigerant hoses	6 Cyl. Eng.	RIGHT HAND DRIVE		(58) 9936077	1
		LEFT HAND DRIVE		(58) 9934489	1
AIR CONDITIONER PACKAGE - Water parts & refrigerant hoses	8 Cyl. Eng.			(58) 9936078	1
AIR CONDITIONER PACKAGE - Heater parts	ALL			(58) 9934493	1
AIR CONDITIONER PACKAGE - Refrigerant parts ...		RIGHT HAND DRIVE		(58) 9936908	1
		LEFT HAND DRIVE		(58) 9934486	1
AIR CONDITIONER PACKAGE - Drive parts	4 Cyl. Eng.	RIGHT HAND DRIVE		(58) 9934488	1
AIR CONDITIONER PACKAGE - Drive parts	6 Cyl. Eng.			(58) 9934487	1
AIR CONDITIONER PACKAGE - Drive parts	8 Cyl. Eng.			(58) 9936907	1
9.169 EVAPORATOR and BLOWER, HOUSING — Air conditioner					
EVAPORATOR & BLOWER ASSY	4, 6 Cyl. Eng.	RIGHT HAND DRIVE		(67) 9928736	1
EVAPORATOR & BLOWER ASSY	8 Cyl. Eng.	RIGHT HAND DRIVE		(78) 9936331	1
HOUSING	4, 6 Cyl. Eng.	RIGHT HAND DRIVE		(67) 9933083	1
HOUSING	4, 6 Cyl. Eng.	RIGHT HAND DRIVE		(68) 9939717	1
		LEFT HAND DRIVE		9933084	1
		LEFT HAND DRIVE		9933084	1
HOUSING	8 Cyl. Eng.	RIGHT HAND DRIVE		(78) 9936333	1
HOUSING		RIGHT HAND DRIVE		(38) 9939717	1
NUT - Housing to dash panel		LEFT HAND DRIVE		SP2175	2
BOLT Housing to heater case	4, 6 Cyl. Eng.			(67) 9930728	2
BOLT Housing to heater case, 4.58" long	4, 6 Cyl. Eng.	RIGHT HAND DRIVE		(58) 9936340	1
BOLT - Housing to heater case, 1.42" long	4, 6 Cyl. Eng.	RIGHT HAND DRIVE		(68) 9936341	1
BOLT Housing to heater case, 4.58" long	8 Cyl. Eng.	RIGHT HAND DRIVE		9936340	1
BOLT - Housing to heater case, 1.42" long	8 Cyl. Eng.	RIGHT HAND DRIVE		9936341	1
WASHER - Housing to heater case (1 3/32" x 3/16" x .065")	ALL			120394	2
WASHER - Housing to heater case (1/4" x 1/8" x 1/16")	ALL			9414920	2
NUT Housing to heater case (1/4" - 20)	ALL			120375	2
SCREW Housing to dash panel (1/4" - 14 x 1" cr. recess)		RIGHT HAND DRIVE		9416846	2
SCREW - Housing to dash panel (1/4" - 14 x 5/16" cr. recess)		LEFT HAND DRIVE		9416642	2
SCREW - Housing to dash panel (No. 8 - 18 x 5/8" cr. recess)		LEFT HAND DRIVE		9414713	2
WASHER Housing to dash panel, flat	ALL			120392	2
PLATE ASSY - Front	4, 6 Cyl. Eng.	RIGHT HAND DRIVE		(67) 9933160	1
		LEFT HAND DRIVE		9933741	1
PLATE - Front upper	4, 6 Cyl. Eng.			(67) 9933120	1
PLATE - Housing	4, 6 Cyl. Eng.	RIGHT HAND DRIVE		(68) 9936335	1
PLATE - Housing	8 Cyl. Eng.	RIGHT HAND DRIVE		9936335	1
GASKIET Housing to air intake	4, 6 Cyl. Eng.			(67) 9929941	1
GASKIET Housing to air intake	4, 6 Cyl. Eng.	RIGHT HAND DRIVE		(68) 9941689	1
GASKIET Housing to air intake	8 Cyl. Eng.	RIGHT HAND DRIVE		9941689	1
GASKET Housing to heater	ALL			9929942	2
SEAL Core to housing	4, 6 Cyl. Eng.			(67) 9929930	2
SEAL Core to housing	4, 6 Cyl. Eng.	RIGHT HAND DRIVE		(68) 9937217	1
Note:					
(38) Use with evaporator housing without stiffening flange along the lower side.					
(39) Use with evaporator housing with stiffening flange along the lower side.					
(58) Export territories only.					
(67) Use when air conditioner has receiver dehydrator system.					
(68) Use when air conditioner has valves-in-receiver system.					

TORANA "LX" PARTS CATALOGUE

GROUP	DESCRIPTION	MODEL	SIDE	PART No.	QTY.
9.169	EVAPORATOR and BLOWER, HOUSING – Air conditioner (contd.)				
	SEAL - Core to housing	8 Cyl. Eng.	RIGHT HAND DRIVE	9937217	1
	SEAL - Core to housing, lower		RIGHT HAND DRIVE	⁽⁶⁸⁾ 9942063	1
	SEAL - Core to front plate	4, 6 Cyl. Eng.		⁽⁶⁷⁾ 9933270	1
	SEAL - Core to plate	4, 6 Cyl. Eng.	RIGHT HAND DRIVE	⁽⁶⁸⁾ 9936336	1
	SEAL - Core to plate	8 Cyl. Eng.	RIGHT HAND DRIVE	9936336	1
	SEAL - Core rear	4, 6 Cyl. Eng.		⁽⁶⁷⁾ 9929948	1
	DEFLECTOR - Housing air	4, 6 Cyl. Eng.		⁽⁶⁷⁾ 9929928	1
	DEFLECTOR - Housing air	4, 6 Cyl. Eng.	RIGHT HAND DRIVE	⁽⁶⁸⁾ 9936339	1
	DEFLECTOR - Housing air	8 Cyl. Eng.	RIGHT HAND DRIVE	9936339	1
9.169	VACUUM TANK – Air conditioner				
	VACUUM TANK ASSY		RIGHT HAND DRIVE	9937002	1
			LEFT HAND DRIVE	9937001	1
	SCREW - Tank to mounting bracket	ALL		9414712	2
	WASHER - Tank to mounting bracket	ALL		131015	2
	SCREW - Tank mounting bracket to housing	ALL		273708	3
9.170	COMPRESSOR – Air conditioner				
	COMPRESSOR ASSY	4 Cyl. Eng.		9938167	1
	COMPRESSOR ASSY	6, 8 Cyl. Eng.		1131046	1
	FITTING ASSY - Inlet	4 Cyl. Eng.		9939318	1
	FITTING ASSY - Outlet	4 Cyl. Eng.		9939317	1
	FITTING ASSY	6 Cyl. Eng.		9932553	1
	FITTING ASSY	8 Cyl. Eng.	RIGHT HAND DRIVE	9934263	1
	"O" RING - Fitting to compressor	4, 6 Cyl. Eng.		5887997	2
	BOLT - Fitting to compressor	6, 8 Cyl. Eng.		120677	1
	WASHER - Lock	6, 8 Cyl. Eng.		103321	1
	WASHER - Fitting to compressor	6, 8 Cyl. Eng.		3706737	1
	CORE ASSY - Valve	6, 8 Cyl. Eng.		1138041	1
	CAP - Valve core	6, 8 Cyl. Eng.		3792359	1
	LEAD ASSY - Earth	6, 8 Cyl. Eng.		2818819	1
	WASHER - Earth lead - plain	6, 8 Cyl. Eng.		120393	1
	WASHER - Earth lead - shake proof	6, 8 Cyl. Eng.		138485	1
9.171	BRACKET, SUPPORT, BRACE – Air conditioner compressor				
	SUPPORT - Compressor mounting	4 Cyl. Eng.		9937622	1
	BRACKET - Compressor mounting	4 Cyl. Eng.		9938010	1
	BOLT - Support to engine	4 Cyl. Eng.		2000498	3
	WASHER - Support to engine bolt	4 Cyl. Eng.		2080305	3
	BOLT - Mounting bracket to support	4 Cyl. Eng.		9427637	2
	WASHER - Mounting bracket to support bolt - lock ..	4 Cyl. Eng.		120214	2
	NUT - Mounting bracket to support bolt	4 Cyl. Eng.		120376	2
	BUSHING - Compressor support	4 Cyl. Eng.		1204880	2
	PLATE - Compressor support	4 Cyl. Eng.		9937965	1
	PLATE - Compressor locking	4 Cyl. Eng.		9937968	1
	BOLT - Compressor to support plate (10 mm x 30 mm)	4 Cyl. Eng.		11078501	1
	BOLT - Compressor to support plate (3/8" - 16 x 2") ..	4 Cyl. Eng.		122181	1
	WASHER - Compressor to support plate - lock	4 Cyl. Eng.		120382	1
	WASHER - Compressor to support plate - flat	4 Cyl. Eng.		120394	1
	BOLT - Support plate to compressor support	4 Cyl. Eng.		122150	1
	WASHER - Support plate to compressor support - lock ..	4 Cyl. Eng.		120382	1
	NUT - Support plate to compressor support	4 Cyl. Eng.		120377	1
	BOLT - Locking plate to support plate	4 Cyl. Eng.		120233	1
	WASHER - Locking plate to support plate - lock	4 Cyl. Eng.		120382	1
	WASHER - Locking plate to support plate - plain	4 Cyl. Eng.		120394	1
	NUT - Locking plate to support plate	4 Cyl. Eng.		120377	1
	BOLT - Compressor to mounting bracket	4 Cyl. Eng.		2000418	2
	WASHER - Compressor to mounting bracket bolt - lock ..	4 Cyl. Eng.		120382	2
	WASHER - Compressor to mounting bracket - plain ..	4 Cyl. Eng.		SP2097	A.R.
	SPACER - Support inner	4 Cyl. Eng.		9937966	1
Note:	⁽⁶⁷⁾ Use when air conditioner has receiver dehydrator system.				
	⁽⁶⁸⁾ Use when air conditioner has valves-in-receiver system.				

TORANA "LX" PARTS CATALOGUE

GROUP	DESCRIPTION	MODEL	SIDE	PART No.	QTY.
9.171	BRACKET, SUPPORT, BRACE – Air conditioner compressor (contd.)				
	SPACER - Support outer	4 Cyl. Eng.		9937967	1
	BRACKET - Front	6 Cyl. Eng.		2814838	1
	SPACER - Front bracket to compressor	6 Cyl. Eng.		2814844	3
	BOLT - Front bracket and spacer to compressor	6 Cyl. Eng.		181608	3
	WASHER - Bolt to compressor - Lock	6 Cyl. Eng.		120214	3
	BOLT - Adjusting	6 Cyl. Eng.		180123	1
	WASHER - Adjusting bolt - lock	6 Cyl. Eng.		120382	1
	WASHER - Adjusting bolt - plain	6 Cyl. Eng.		SP1612	1
	BRACKET - Rear	6 Cyl. Eng.		2814841	1
	WASHER - Rear bracket to compressor	6 Cyl. Eng.		SP2097	A.R.
	BOLT & LOCK WASHER - Rear bracket to compressor	6 Cyl. Eng.		SP2079	2
	BOLT - Rear bracket to support	6 Cyl. Eng.		180123	1
	WASHER - Rear bracket to support bolt - lock	6 Cyl. Eng.		120382	1
	SUPPORT	6 Cyl. Eng.		2814739	1
	BOLT - Support to engine, front	6 Cyl. Eng.		9427729	2
	WASHER - Support bolt - lock	6 Cyl. Eng.		120382	2
	BOLT - Engine mount bracket & compressor support to engine	6 Cyl. Eng.		7421673	2
	BRACE - Front	6 Cyl. Eng.		2814839	1
	BOLT - Brace, front bracket and generator to support	6 Cyl. Eng.		189305	1
	WASHER - Brace, bracket and generator bolt - lock	6 Cyl. Eng.		120382	1
	SUPPORT - Compressor & generator mount front	8 Cyl. Eng.		9937423	1
	BRACKET - Front	8 Cyl. Eng.		9931266	1
	BOLT - Bracket & support to cylinder head	8 Cyl. Eng.		433115	1
	WASHER - Bracket & support bolt - lock	8 Cyl. Eng.		120382	1
	WASHER - Bracket & support bolt - plain	8 Cyl. Eng.		120394	1
	BOLT & LOCKWASHER - Compressor to front bracket	8 Cyl. Eng.		SP2083	3
	BRACKET - Rear	8 Cyl. Eng.		9931267	1
	SHIM - Rear bracket	8 Cyl. Eng.		3850581	1
	BOLT & LOCKWASHER - Compressor to rear bracket	8 Cyl. Eng.		SP2068	A.R.
	BOLT - Compressor to rear bracket & brace	8 Cyl. Eng.		180126	1
	WASHER - Compressor to bracket & brace bolt, lock	8 Cyl. Eng.		120382	1
	SPACER - Rear bracket to support	8 Cyl. Eng.		2812400	1
	STUD - Front & rear bracket to support	8 Cyl. Eng.		SP2597	1
	WASHER - Lock	8 Cyl. Eng.		120382	2
	NUT - Front & rear bracket to support	8 Cyl. Eng.		120377	2
	BRACE - Compressor to inlet manifold	8 Cyl. Eng.		9938403	1
	SPACER - Brace to inlet manifold	8 Cyl. Eng.		7437656	1
	BOLT - Brace & spacer to inlet manifold	8 Cyl. Eng.		180138	1
	WASHER - Brace bolt - lock	8 Cyl. Eng.		120382	1
	BRACE - Rear	8 Cyl. Eng.		9937425	1
	BRACKET - Compressor brace R.H.	8 Cyl. Eng.		9930631	1
	BOLT - Compressor brace to R.H. bracket	8 Cyl. Eng.		120647	1
	WASHER - Brace to bracket bolt - lock	8 Cyl. Eng.		120382	1
	NUT - Rear brace to frame bracket	8 Cyl. Eng.		2816049	1
	BOLT - Brace bracket to R.H. engine mount bracket	8 Cyl. Eng.		122145	1
	WASHER - Plain	8 Cyl. Eng.		120394	1
	WASHER - Lock	8 Cyl. Eng.		120382	1
	NUT - Brace bracket to R.H. engine mount bracket bolt	8 Cyl. Eng.		120377	1
9.180	BELT – Air conditioner compressor				
	BELT	4 Cyl. Eng.		9937787	1
	BELT	6 Cyl. Eng.		3888457	1
	BELT	8 Cyl. Eng.		3911670	1
9.190	CONDENSER – Air conditioner				
	CONDENSER ASSY	ALL		9929777	1
	SPACER - Condenser to rad. support	ALL		2806877	4
	BOLT - Condenser and radiator to support panel	ALL		122017	4
	WASHER - Plain	ALL		120393	4
	WASHER - Lock	ALL		120214	4
	NUT - Condenser and radiator to support panel bolt	ALL		120376	4

TORANA "LX" PARTS CATALOGUE

GROUP	DESCRIPTION	MODEL	SIDE	PART No.	QTY.
9.195	RECEIVER and DEHYDRATOR – Air conditioner				
	RECEIVER and DEHYDRATOR ASSY	4, 6 Cyl. Eng.		⁽⁶⁷⁾ 9933333	1
	BRACKET – Mounting	4, 6 Cyl. Eng.		⁽⁶⁷⁾ 9933306	1
	BOLT & WASHER – Receiver dehydrator to support panel				
	WASHER – Lock	4, 6 Cyl. Eng.		⁽⁶⁷⁾ SP1994	4
	NUT – Receiver dehydrator to support panel	4, 6 Cyl. Eng.		⁽⁶⁷⁾ 120214	4
				⁽⁶⁷⁾ 120376	4
9.195	VALVES-IN-RECEIVER – Air conditioner				
	VALVES-IN-RECEIVER ASSY – (Optional with 9929987)	4, 6 Cyl. Eng.	RIGHT HAND DRIVE	⁽⁶⁸⁾ 1131047	1
	VALVES-IN-RECEIVER ASSY – (Optional with 1131047)	4, 6 Cyl. Eng.	RIGHT HAND DRIVE	⁽⁶⁶⁾ 9929987	1
	VALVES-IN-RECEIVER ASSY – (Optional with 9929987)	8 Cyl. Eng.	RIGHT HAND DRIVE	1131047	1
	VALVES-IN-RECEIVER ASSY. – (Optional with 1131047)	8 Cyl. Eng.		9929987	1
	CLAMP – Mounting	4, 6 Cyl. Eng.	RIGHT HAND DRIVE	⁽⁶⁸⁾ 3840341	1
	CLAMP – Mounting	8 Cyl. Eng.	RIGHT HAND DRIVE	3840341	1
	BOLT – Clamp to bracket		RIGHT HAND DRIVE	120228	1
	NUT – Clamp to bracket bolt		RIGHT HAND DRIVE	120376	1
	GASKET – Inlet connector to housing	4, 6 Cyl. Eng.	RIGHT HAND DRIVE	⁽⁶⁸⁾ 6556526	1
	GASKET – Inlet connector to housing	8 Cyl. Eng.		6556526	1
	BRACKET – Mounting	4, 6 Cyl. Eng.	RIGHT HAND DRIVE	⁽⁶⁸⁾ 9936334	1
	BRACKET – Mounting	8 Cyl. Eng.	RIGHT HAND DRIVE	9936334	1
	CAP & O-RING ASSY.	4, 6 Cyl. Eng.	RIGHT HAND DRIVE	⁽⁶⁸⁾ 3029432	1
	CAP & O-RING ASSY.	8 Cyl. Eng.	RIGHT HAND DRIVE	3029432	1
	DRIER KIT – (Desiccant bag, O-Ring)	4, 6 Cyl. Eng.	RIGHT HAND DRIVE	⁽⁶⁸⁾ 6598832	1
	DRIER KIT – (Desiccant bag, O-Ring)	8 Cyl. Eng.	RIGHT HAND DRIVE	6598832	1
	PICK UP TUBE KIT – (Tube and retainer)	4, 6 Cyl. Eng.	RIGHT HAND DRIVE	⁽⁶⁸⁾ 6598831	1
	PICK UP TUBE KIT – (Tube and retainer)	8 Cyl. Eng.	RIGHT HAND DRIVE	6598831	1
	O-RING KIT	4, 6 Cyl. Eng.	RIGHT HAND DRIVE	⁽⁶⁸⁾ 6599447	1
	O-RING KIT	8 Cyl. Eng.	RIGHT HAND DRIVE	6599447	1
9.196	TUBE – Air conditioner receiver and dehydrator				
	TUBE ASSY. – Condenser outlet to dehydrator	4, 6 Cyl. Eng.		⁽⁶⁷⁾ 9933520	1
9.198	VALVE – Air conditioner P.O.A.S.T.				
	VALVE	4, 6 Cyl. Eng.		⁽⁶⁷⁾ 5910594	1
	CLIP – P.O.A.S.T. Valve to compressor hose	6 Cyl. Eng.		⁽⁶⁷⁾ SP2465	1
	KIT – P.O.A.S.T. Valve	4, 6 Cyl. Eng.	RIGHT HAND DRIVE	⁽⁶⁸⁾ 6599444	1
	KIT – P.O.A.S.T. Valve	8 Cyl. Eng.	RIGHT HAND DRIVE	6599444	1
	VALVE – Evaporator gauge	4, 6 Cyl. Eng.	RIGHT HAND DRIVE	⁽⁶⁸⁾ 5914817	1
	VALVE – Evaporator gauge	8 Cyl. Eng.	RIGHT HAND DRIVE	5914817	1
9.199	TUBE – Air conditioner P.O.A.S.T. valve				
	TUBE ASSEMBLY – Outlet	4, 6 Cyl. Eng.		⁽⁶⁷⁾ 9933253	1
	BRACKET – Valve mounting	4, 6 Cyl. Eng.		⁽⁶⁷⁾ 3942672	1
	BOLT – Valve mounting bracket to support bracket ...	4, 6 Cyl. Eng.		⁽⁶⁷⁾ 9411372	1
	NUT – Valve mounting bracket to support bracket	4, 6 Cyl. Eng.		⁽⁶⁷⁾ 134551	1
9.202	SIGHT GLASS, EXPANSION VALVE – Air Conditioner V.I.R.				
	SIGHT GLASS KIT – (Glass, retainer, washer, O-Ring)	4, 6 Cyl. Eng.	RIGHT HAND DRIVE	⁽⁶⁸⁾ 6599451	1
	SIGHT GLASS KIT – (Glass, retainer, washer, O-Ring)	8 Cyl. Eng.	RIGHT HAND DRIVE	6599451	1
	EXPANSION VALVE KIT	4, 6 Cyl. Eng.	RIGHT HAND DRIVE	⁽⁶⁸⁾ 6599445	1
	EXPANSION VALVE KIT	8 Cyl. Eng.	RIGHT HAND DRIVE	6599445	1
9.210	CORE – Air conditioner evaporator				
	CORE ASSEMBLY	4, 6 Cyl. Eng.	RIGHT HAND DRIVE	⁽⁶⁷⁾ 9932853	1
			LEFT HAND DRIVE	3022875	1
	SCREW – Core to housing		RIGHT HAND DRIVE	9416642	1
	Note: ⁽⁶⁷⁾ Use when air conditioner has receiver dehydrator system.				
	⁽⁶⁸⁾ Use when air conditioner has valves-in-receiver system.				

TORANA "LX" PARTS CATALOGUE

GROUP	DESCRIPTION	MODEL	SIDE	PART No.	QTY.
9.211	INLET, SEAL - Air conditioner air				
	INLET ASSY	ALL		2824864	1
	SEAL - Air inlet to dash	ALL		2818641	1
	TUBE - Evap. and blower housing drain	ALL		3016305	1
9.213	VALVE - Modulex				
	VALVE	4, 6 Cyl. Eng.		(⁶⁷ 5910745	1
	CLAMP - Valve mounting	4, 6 Cyl. Eng.		(⁶⁷ 3017086	1
	SCREW - Valve mounting	4, 6 Cyl. Eng.		(⁶⁷ 9414711	1
	CLAMP - Valve bulb to evaporator outlet	4, 6 Cyl. Eng.		(⁶⁷ 3147463	2
	SCREW - Valve bulb to evaporator outlet	4, 6 Cyl. Eng.		(⁶⁷ 9414713	2
	INSULATOR - Valve bulb to evaporator outlet	4, 6 Cyl. Eng.		(⁶⁷ 8526387	2
9.215	MOTOR, IMPELLER, HOSE - Air conditioner blower				
	MOTOR - Evaporator blower	ALL		4939678	1
	SCREW - Motor to housing	ALL		273708	5
	IMPELLER - Blower motor	ALL		3027062	1
	WASHER - Impeller to motor shaft	ALL		3015545	1
	NUT - Impeller to motor shaft	ALL		3027134	1
	HOSE - Motor cooling	ALL		2818388	1
	LEAD - Motor earth	ALL		9930552	1
	BOLT - Motor earth lead & housing to panel		RIGHT HAND DRIVE	160556	1
	BOLT - Motor earth lead & housing to panel		LEFT HAND DRIVE	160541	1
	WASHER - Motor earth lead & housing to panel - plain	ALL		120392	1
	WASHER - Motor earth lead & housing to panel - Shakeproof	ALL		121753	1
	WASHER - Earth lead to motor - shakeproof	ALL		121752	1
9.217	CORE - Air conditioner heater				
	Refer Group 9.779				
9.220	HOSE, BRACKET, CLAMP, TUBE, "O" RING - Air conditioner				
	HOSE - Comp. outlet to cond. inlet	4 Cyl. Eng.		3837324	1
	HOSE - Comp. outlet to cond. inlet	6 Cyl. Eng.		3861416	1
	HOSE - Comp. outlet to cond. inlet	8 Cyl. Eng.		3895976	1
	HOSE - P.O.A.S.T valve to compressor	4 Cyl. Eng.	RIGHT HAND DRIVE	(⁶⁷ 3815009	1
	HOSE - P.O.A.S.T valve to compressor	6 Cyl. Eng.	RIGHT HAND DRIVE	(⁶⁷ 3829381	1
	HOSE - P.O.A.S.T valve to compressor	6 Cyl. Eng.	LEFT HAND DRIVE	3942673	1
	HOSE - Receiver dehydrator to mod. valve	6 Cyl. Eng.	RIGHT HAND DRIVE	(⁶⁷ 3814776	1
			LEFT HAND DRIVE	3895908	1
	HOSE - V-I-R outlet to compressor inlet	4 Cyl. Eng.	RIGHT HAND DRIVE	(⁶⁸ 3815009	1
	HOSE - V-I-R outlet to compressor inlet	6 Cyl. Eng.	RIGHT HAND DRIVE	(⁶⁸ 3849840	1
	HOSE - V-I-R outlet to compressor inlet	8 Cyl. Eng.		3815009	1
	HOSE - Condenser outlet to V-I-R	4, 6 Cyl. Eng.	RIGHT HAND DRIVE	(⁶⁸ 3864395	1
	HOSE - Condenser outlet to V-I-R	8 Cyl. Eng.		3864395	1
	TUBE ASSY - Receiver dehydrator outlet	4 Cyl. Eng.	RIGHT HAND DRIVE	(⁶⁷ 3792316	1
	TUBE ASSY - Receiver dehydrator outlet	6 Cyl. Eng.	RIGHT HAND DRIVE	(⁶⁷ 9929835	1
	TUBE ASSY - Modulex valve inlet	4 Cyl. Eng.	RIGHT HAND DRIVE	(⁶⁷ 9933733	1
	TUBE ASSY - Modulex valve inlet	4, 6 Cyl. Eng.	RIGHT HAND DRIVE	(⁶⁷ 9934115	1
	TUBE ASSY - Modulex valve inlet	6 Cyl. Eng.	LEFT HAND DRIVE	9933733	1
	TUBE ASSY Condenser inlet	ALL		9929778	1
	TUBE ASSY Condenser outlet	4, 6 Cyl. Eng.	RIGHT HAND DRIVE	(⁶⁸ 9929834	1
	TUBE ASSY - Condenser outlet	8 Cyl. Eng.		9929834	1
	TUBE ASSY Condenser to valves-in-receiver	4, 6 Cyl. Eng.	RIGHT HAND DRIVE	(⁶⁸ 9936359	1
	TUBE ASSY - Condenser to valves-in-receiver	8 Cyl. Eng.	RIGHT HAND DRIVE	9936359	1
			LEFT HAND DRIVE	9929836	1
	TUBE ASSY Valves-in-receiver to compressor	4, 6 Cyl. Eng.	RIGHT HAND DRIVE	(⁶⁸ 9929836	1
	TUBE ASSY Valves-in-receiver to compressor	8 Cyl. Eng.		9929836	1
	"O" RING GASKET - Receiver dehydrator	4, 6 Cyl. Eng.		(⁶⁷ 8526398	2
	"O" RING GASKET - Modulex valve inlet	4, 6 Cyl. Eng.		(⁶⁷ 8526398	1
	"O" RING GASKET - Modulex valve to evaporator	4, 6 Cyl. Eng.		(⁶⁷ 3140600	1

Note: (⁶⁷ Use when air conditioner has receiver dehydrator system.

(⁶⁸ Use when air conditioner has valves-in-receiver system.

TORANA "LX" PARTS CATALOGUE

GROUP	DESCRIPTION	MODEL	SIDE	PART No.	QTY.
9.220	HOSE, BRACKET, CLAMP, TUBE, "O" RING – Air conditioner (contd.)				
	"O" RING GASKET – P.O.A.S.T. valve to evaporator	4, 6 Cyl. Eng.		(⁶⁷ 3140852	1
	"O" RING GASKET – Valve outlet tube	4, 6 Cyl. Eng.		(⁶⁷ 3140852	1
	"O" RING GASKET – Condenser to valves-in-receiver tube	4, 6 Cyl. Eng.	RIGHT HAND DRIVE	(⁶⁸ 8526398	1
	"O" RING GASKET – Condenser to valves-in-receiver tube	8 Cyl. Eng.		8526398	1
	"O" RING GASKET – Valves-in-receiver to compressor tube	4, 6 Cyl. Eng.	RIGHT HAND DRIVE	(⁶⁸ 3140852	1
	"O" RING GASKET – Valves-in-receiver to compressor tube	8 Cyl. Eng.		3140852	1
	CLAMP – Hose	ALL		3840818	6
	CLAMP – Condenser inlet and outlet tube	ALL		9929675	1
	SCREW – Clamp to radiator support panel	ALL		9414714	1
	BRACKET – Hose support	6 Cyl. Eng.		9929851	1
	HOSE – Water valve outlet to heater inlet	4 Cyl. Eng.	RIGHT HAND DRIVE	9933190	1
	HOSE – Thermo housing to water valve	4 Cyl. Eng.	RIGHT HAND DRIVE	9931301	1
	CLAMP – Heater hose .97" dia.	4 Cyl. Eng.	RIGHT HAND DRIVE	SP1701	5
	CLAMP – Heater hose 1.03" dia.	4 Cyl. Eng.	RIGHT HAND DRIVE	SP1610	1
	HOSE – Water valve outlet to heater inlet	6 Cyl. Eng.		9929999	1
	HOSE – Water valve to tee	6 Cyl. Eng.		2822709	1
	HOSE – Tee to water pump	6 Cyl. Eng.	RIGHT HAND DRIVE	9929731	1
			LEFT HAND DRIVE	9929733	1
	HOSE – Heater outlet to tee	6 Cyl. Eng.		9930891	1
	HOSE – Manifold outlet to water valve	6 Cyl. Eng.	RIGHT HAND DRIVE	9931940	1
			LEFT HAND DRIVE	9931240	1
	BRACKET – Heater hose support to engine	6 Cyl. Eng.	RIGHT HAND DRIVE	9931943	1
	CLIP – Heater hose to support bracket	6 Cyl. Eng.	RIGHT HAND DRIVE	120530	1
	BOLT – Heater hose clip to support bracket	6 Cyl. Eng.	RIGHT HAND DRIVE	160515	1
	NUT – Heater hose clip to support bracket	6 Cyl. Eng.		120375	1
	CLIP – Water pump hose to manifold hose	6 Cyl. Eng.	LEFT HAND DRIVE	7433806	1
	HOSE – Manifold outlet to water valve	4.2 Litre Eng.		9931240	1
	HOSE – Manifold outlet to water valve	5 Litre Eng.		9931622	1
	HOSE – Water valve to heater inlet	8 Cyl. Eng.		9931241	1
	HOSE – Heater outlet to tee	8 Cyl. Eng.		2818166	1
	HOSE – Water pump to tee	8 Cyl. Eng.		2822622	1
	HOSE – Water valve to tee	8 Cyl. Eng.		9931273	1
	CLIP – Heater hose to rocker cover	8 Cyl. Eng.		9929253	1
	BOLT – Clip to rocker cover	8 Cyl. Eng.		274672	1
	TEE – Water hose connector	6, 8 Cyl. Eng.		2822621	1
	CLAMP – Heater hose .97" dia.	6, 8 Cyl. Eng.		SP1701	4
	CLAMP – Heater hose 1.03" dia.	6, 8 Cyl. Eng.		SP1610	6
	"O" RING GASKET – Evaporator core inlet to valves-in-receiver		RIGHT HAND DRIVE	(⁶⁸ 3140600	1
	"O" RING GASKET – Evaporator core outlet to valves-in-receiver	4, 6 Cyl. Eng.	RIGHT HAND DRIVE	(⁶⁸ 3140852	1
	"O" RING GASKET – Evaporator core outlet to valves-in-receiver	8 Cyl. Eng.		3140852	1
	"O" RING GASKET – Evaporator core liquid bleed	4, 6 Cyl. Eng.	RIGHT HAND DRIVE	(⁶⁸ 8526645	1
	"O" RING GASKET – Evaporator core liquid bleed	8 Cyl. Eng.		8526645	1
	"O" RING GASKET – Evaporator bleed pipe to valve	4, 6 Cyl. Eng.		(⁶⁷ 8526645	1
	"O" RING GASKET – Equalizer pipe to valve	4, 6 Cyl. Eng.		(⁶⁷ 8526645	1
	STRAP – Compressor inlet hose to valve hose	4 Cyl. Eng.	RIGHT HAND DRIVE	7436769	2
	STRAP – Hose	8 Cyl. Eng.		7436769	1
	SLEEVE – Hose	8 Cyl. Eng.		2820848	1
9.275	WATER VALVE, SWITCH, CIRCUIT BREAKER, RELAY, RESISTOR – Air conditioner				
	VALVE ASSY – Heater water	4 Cyl. Eng.	RIGHT HAND DRIVE	481375	1
	VALVE ASSY – Heater water	6, 8 Cyl. Eng.		2822620	1
	SWITCH ASSY – Fan	ALL		2814815	1
	Note: (⁶⁷ Use when air conditioner has receiver dehydrator system.				
	(⁶⁸ Use when air conditioner has valves-in-receiver system.				

TORANA "LX" PARTS CATALOGUE

GROUP	DESCRIPTION	MODEL	SIDE	PART No.	QTY.
9.275 WATER VALVE, SWITCH, CIRCUIT BREAKER, RELAY, RESISTOR – Air conditioner (contd.)					
	BOLT – Fan switch to adapter	ALL		451580	2
	NUT – Fan switch to adapter	ALL		120622	2
	SWITCH ASSY – Master micro	ALL		7308858	1
	SCREW – Master switch to base	ALL		9411529	1
	CIRCUIT BREAKER ASSY	ALL		4849850	1
	BOLT – Circuit breaker to fender skirt	ALL		159920	2
	WASHER – Circuit breaker to fender skirt bolt – lock ..	ALL		120391	2
	NUT – Circuit breaker to fender skirt	ALL		120361	2
	SLEEVE – Circuit breaker stud	ALL		7414969	2
	WASHER – Leads to circuit breaker – plain	ALL		446152	2
	WASHER – Leads to circuit breaker – lock	ALL		SP2442	2
	NUT – Leads to circuit breaker	ALL		120361	2
	RELAY ASSY	ALL		7437892	1
	BOLT & WASHER – Relay to fender skirt	ALL		SP1994	1
	WASHER – Relay to fender skirt bolt – Snakeproof ..	ALL		138425	1
	NUT – Relay to fender skirt	ALL		120376	1
	RESISTOR ASSY	ALL		3979727	1
	SCREW – Resistor to housing		LEFT HAND DRIVE	9428353	2
	SEAL – Resistor	ALL		2815712	1
	GASKET – Resistor to housing	ALL		2815702	1
	SWITCH ASSY – Compressor micro	ALL		7935830	1
	SCREW – Compressor switch to base	ALL		9411529	1
9.276 HARNESS, LEAD – Air conditioner wiring					
	HARNESS ASSY Vacuum hose and wiring	4, 6 Cyl. Eng.	RIGHT HAND DRIVE	(⁶⁷ 9929936	1
			LEFT HAND DRIVE	9929940	1
	HARNESS ASSY - Vacuum hose and wiring	8 Cyl. Eng.		(³⁶ 9937276	1
	HARNESS ASSY - Vacuum hose and wiring		RIGHT HAND DRIVE	(⁶⁸ 9935612	1
	HARNESS ASSY Wiring		RIGHT HAND DRIVE	(⁶⁸ 9935613	1
	HARNESS ASSY - Wiring	4, 6 Cyl. Eng.		(⁶⁷ 9930896	1
	LEAD ASSY – Starter motor to circuit breaker ..	4, 6 Cyl. Eng.	RIGHT HAND DRIVE	2818984	1
	LEAD ASSY – Starter motor to circuit breaker	6 Cyl. Eng.	LEFT HAND DRIVE	9932583	1
	LFAD ASSY – Circuit breaker to relay	ALL		2818985	1
	LEAD ASSY – Harness to compressor	4 Cyl. Eng.	RIGHT HAND DRIVE	9931924	1
	LEAD ASSY – Harness to compressor ..	6 Cyl. Eng.		9931924	1
	LEAD ASSY – Harness to compressor	8 Cyl. Eng.		(³⁹ 9931924	1
	LEAD ASSY – Generator to circuit breaker	6 Cyl. Eng.	RIGHT HAND DRIVE	2818984	1
	LEAD ASSY – Generator to circuit breaker	8 Cyl. Eng.		9937214	1
	BODY – Terminal connector – Single	ALL		2962448	4
	BODY – Terminal connector – 2 way female	ALL		2973407	2
	BODY – Terminal connector – Double	ALL		2962967	2
	BODY – Terminal connector – 4 way female	ALL		2965073	1
	BODY – Terminal connector – 5 way female	ALL		6294016	1
	BODY – Terminal connector – 2 way male	ALL		2973431	1
	CLIP – Lead to dash	ALL		7413370	A.R.
	CLIP – Compressor lead to side member	4 Cyl. Eng.	RIGHT HAND DRIVE	SP2359	2
	CLIP – Compressor lead to side member	6 Cyl. Eng.	RIGHT HAND DRIVE	SP2367	1
	STRAP – Compressor lead to valves-in-receiver	4 Cyl. Eng.		7436769	1
9.278 FACIA, CONTROL, ADAPTOR, LEVER, KNOB – Air conditioner control					
	FACIA	ALL		9934915	1
	CONTROL ASSY.	ALL		9940802	1
	ADAPTOR – Control	ALL		9940804	1
	SCREW – Base to adaptor	ALL		9414711	2
	LEVER ASSY – Mode control	ALL		9929947	1
	WASHER – Mode control lever to base	ALL		SP2478	1
	LEVER ASSY – Temperature control	ALL		9928384	1
	KNOB – Mode and temperature control	ALL		9929852	2
	SCREW – Control knob	ALL		454649	2
Note: (⁶⁷ Use with evaporator housing without stiffening flange along the lower side.					
(³⁶ Use with evaporator housing with stiffening flange along the lower side.					
(³⁷ Use when air conditioner has receiver dehydrator system.					
(⁶⁸ Use when air conditioner has valves-in-receiver system.					

TORANA "LX" PARTS CATALOGUE

GROUP	DESCRIPTION	MODEL	SIDE	PART No.	QTY.
9.278	FACIA, CONTROL, ADAPTOR, LEVER, KNOB – Air conditioner control (contd.)				
	SHAFT – Mode and temperature control lever to base	ALL		9930351	1
	SPRING - Mode and temperature control lever detent	ALL		2814892	2
	RIVET - Detent spring to lever	ALL		134794	2
	CLIP - Mode and temperature control lever to base	ALL		SP1762	1
9.279	BASE - Air conditioner control				
	BASE	ALL		9929946	1
9.280	DOOR, LEVER – Air conditioner				
	DOOR ASSEMBLY - Demist	ALL		VS12789	1
	LEVER - Demist door (Straight type)	ALL		9930790	1
	LEVER - Demist door (Offset type)	ALL		VS12784	1
	WASHER - Demist tube flow restrictor, 1.75" x 3 x .060"	ALL		SP2566	2
	LEVER - Interior door	ALL		9931655	1
9.280	ACTUATOR, VALVE, LINK – Air conditioner vacuum				
	ACTUATOR - Demist and air conditioner control vacuum	ALL		9930780	1
	ACTUATOR - Interior control air conditioner heater vacuum	ALL		9930780	1
	ACTUATOR - Air inlet vacuum	ALL		9930780	1
	NUT - Actuator retainer, flanged	ALL		SP2372	6
	BRACKET - Demist and air conditioner control actuator mounting	ALL		9930781	1
	BRACKET - Interior control air conditioner heater actuator mounting	ALL		9930522	1
	SCREW - Actuator bracket to heater case	ALL		273466	4
	WASHER - Actuator bracket screw - flat	ALL		9421089	4
	BRACKET - Air inlet vacuum actuator mounting	ALL		9931093	1
	BOLT - Actuator bracket to air inlet	ALL		9411372	2
	WASHER - Actuator bracket bolt - lock	ALL		120380	2
	NUT - Actuator bracket to air inlet	ALL		120375	2
	VALVE ASSY - Mode vacuum	ALL		2820513	1
	BOLT - Mode vacuum valve to base	ALL		159675	2
	NUT - Mode vacuum valve to base	ALL		120622	2
	VALVE ASSY - Temperature vacuum	ALL		7930601	1
	BOLT - Temperature vacuum to base	ALL		7446262	2
	NUT - Temperature vacuum valve to base	ALL		134530	2
	VALVE ASSY - Vacuum check	ALL		1485553	1
	SPACER - Mode vacuum valve to base	ALL		9930459	2
	SPACER - Temperature vacuum valve to base	ALL		9930350	2
	LINK - Demist and air conditioner control actuator door	ALL		9930863	1
	LINK - Interior control air conditioner heater actuator door	ALL		9930864	1
	SCREW - Demist and interior control link to actuator	ALL		9415191	2
	LINK - Air inlet door actuator	ALL		9930736	1
	SCREW - Air inlet door link to actuator	ALL		9414711	1
	BUSHING - Mode vacuum valve to rotor pin	ALL		3891794	1
	CLIP - Air conditioner heater vacuum actuator link retainer	ALL		SP2207	2
	WASHER - Air conditioner, heater vacuum actuator link to lever	ALL		9421089	2
	CLIP - Air inlet door actuator link to lever	ALL		SP2416	1
9.281	HOSE, TEE – Air conditioner vacuum				
	HOSE - Vacuum heat valve to connector tee	ALL		2822627	1
	HOSE - Mode valve to connector tee 2"	ALL		9934268	1

CHASSIS

TORANA "LX" PARTS CATALOGUE

GROUP	DESCRIPTION	MODEL	SIDE	PART No.	QTY.
9.281 HOSE, TEE – Air conditioner vacuum (contd.)					
	HOSE – Inlet manifold to vacuum check valve 38"	4 Cyl. Eng.	RIGHT HAND DRIVE	3902292	1
	HOSE – Inlet manifold to vacuum check valve 9"	6 Cyl. Eng.	RIGHT HAND DRIVE	3770106	1
	HOSE – Inlet manifold to vacuum check valve 26"	6 Cyl. Eng.	LEFT HAND DRIVE	3754269	1
	HOSE – Inlet manifold to vacuum check valve 9"	8 Cyl. Eng.		3770106	1
	HOSE – Inlet manifold to vacuum tank 38"	4 Cyl. Eng.	RIGHT HAND DRIVE	3902292	1
	HOSE – Inlet manifold to vacuum tank 9"	6 Cyl. Eng.	RIGHT HAND DRIVE	3770106	1
	HOSE – Inlet manifold to vacuum tank 26"	6 Cyl. Eng.	LEFT HAND DRIVE	3754269	1
	HOSE – Connector to vacuum tank	6 Cyl. Eng.	LEFT HAND DRIVE	9932876	1
	TEE – Vacuum hose connector	ALL		3895904	1
	CLIP – Water and vacuum hose to dash		RIGHT HAND DRIVE	7413370	1
	CLIP – Vacuum hose and circuit breaker lead to dash		LEFT HAND DRIVE	7413370	1
	CLIP – Vacuum check valve hose and compressor lead to dash	8 Cyl. Eng.		7413370	1
9.600 BAR – Tow					
	BAR PACKAGE – Less tongue	ALL		M 37830 (9930211)	1
	BOLT – Tow bar to underbody	ALL		180138	6
	WASHER – Tow bar bolt – lock	ALL		120382	6
	NUT – Tow bar to underbody	ALL		120377	6
	TONGUE – Painted – Rams horn	Exc. West Aust.		M 37831 (2819858)	1
	TONGUE – Chrome plated – Rams horn	Exc. West Aust.		M 37832 (2819859)	1
	TONGUE – Chrome plated – "U" shackle	ALL		M 37833 (2819861)	1
	LOAD LEVELLER PACKAGE	ALL		M37617	1
	SHAFT	ALL		M37618	2
	MOUNTING ASSY	ALL		M37619	1
	PLATE – Chain	ALL		M37620	2
	PLATE – Clamp	ALL		M37621	2
	U-BOLT	ALL		M37622	4
	CHAIN	ALL		M37623	2
	NUT	ALL		120376	8
	WASHER	ALL		120214	8
	PIN	ALL		SP2540	2
9.608 CARRIER – Water bag					
	CARRIER	ALL		9933075	1
9.610 COVER – Steering wheel					
	COVER – Press stud type, Black	Standard Steering Wheel		M37588BLK	1
	COVER – Press stud type, Tan	Standard Steering Wheel		M37588TAN	1
	COVER – Press stud type, Red	Standard Steering Wheel		M37588RED	1
	COVER – Lace on type, Black	Standard Steering Wheel		M37686BLK	1
	COVER – Lace on type, Red	Standard Steering Wheel		M37686TAN	1
	COVER – Lace on type, Tan	Standard Steering Wheel		M37686RED	1
9.614 COVER – Seat (Accessory)					
	COVER – Front bench seat – Black	Sedan		M37447BLK	1
	COVER – Front bench seat – Royal	Sedan		M37447RYL	1
	COVER – Front bench seat – Maroon	Sedan		M37447MRN	1
	COVER – Front bench seat – Tan	Sedan		M37447TAN	1
	COVER – Front bench seat – Orange	Sedan		M37447MAN	1
	COVER – Front bench seat – Red	Sedan		M37447RED	1
	COVER – Front bench seat – Olive	Sedan		M37447GRN	1
	COVER – Front bench seat – Blue	Sedan		M37447BLU	1
	COVER – Front bench seat – Black & White Check ..	Sedan		M37716BW	1
	COVER – Front bench seat – Brown & Yellow Check ..	Sedan		M37716BY	1
	COVER – Front bucket seat – Black	ALL		M37446BLK	1
	COVER – Front bucket seat – Royal	ALL		M37446RYL	1
	COVER – Front bucket seat – Maroon	ALL		M37446MRN	1
	COVER – Front bucket seat – Tan	ALL		M37446TAN	1
	COVER – Front bucket seat – Orange	ALL		M37446MAN	1
	COVER – Front bucket seat – Red	ALL		M37446RED	1
	COVER – Front bucket seat – Olive	ALL		M37446GRN	1

TORANA "LX" PARTS CATALOGUE

GROUP	DESCRIPTION	MODEL	SIDE	PART No.	QTY.
9.614	COVER – Seat (Accessory) (contd.)				
	COVER - Front bucket seat - Blue	ALL		M37446BLU	1
	COVER - Front bucket seat - Black & White Check ..	ALL		M37715BW	1
	COVER - Front bucket seat - Brown & Yellow Check	ALL		M37715BY	1
	COVER - Rear seat - Black	Sedan		M37448BLK	1
	COVER - Rear seat - Royal	Sedan		M37448RYL	1
	COVER - Rear seat - Maroon	Sedan		M37448MRN	1
	COVER - Rear seat - Tan	Sedan		M37448TAN	1
	COVER - Rear seat - Orange	Sedan		M37448MAN	1
	COVER - Rear seat - Red	Sedan		M37448RED	1
	COVER - Rear seat - Olive	Sedan		M37448GRN	1
	COVER - Rear seat - Blue	Sedan		M37448BLU	1
	COVER - Rear seat - Black & White Check	Sedan		M37717BW	1
	COVER - Rear seat - Brown & Yellow Check	Sedan		M37717BY	1
9.614	COOLARIDE CUSHION				
	CUSHION - Blue	ALL		M37731	A.R.
	CUSHION - Green	ALL		M37732	A.R.
	CUSHION - Red	ALL		M37733	A.R.
	CUSHION - Neutral	ALL		M37734	A.R.
9.620	DEFLECTOR – Fender mud				
	DEFLECTOR PACKAGE Front and rear	ALL		9931804	2
	DEFLECTOR	ALL	LH	9932051	2
			RH	9932050	2
9.624	GUARD – Bumper bar				
	Refer Group 7.828				
9.632	GUARD – Head lamp stone				
	GUARD PACKAGE - 1 pair	ALL		9937562	1
9.640	HANDLE – Door pull-to				
	HANDLE PACKAGE Set of 2	ALL		2808258	2
	HANDLE	ALL		7435413	2-4
	SCREW - Handle to door	ALL		9415537	4-8
9.644	HARNESS – Trailer wiring				
	HARNESS PACKAGE	ALL		9939498	1
	HARNESS ASSY - Vehicle section	ALL		9939497	1
	FLASHER ASSY	ALL		2815893	1
9.648	LAMP – Auxiliary driving				
	LAMP PACKAGE	Sedan		9940819	1
	LAMP ASSY	Sedan		9936718	2
	LAMP ASSY	Hatchback		9935953	2
	SWITCH ASSY	Sedan		M31722	1
	RELAY ASSY	ALL		9941984	1
	SCREW - Relay attaching	ALL		SP2144	1
	WASHER - Relay attaching, ext. tth. Lock	ALL		138479	1
	LEAD ASSY	Sedan		9940820	1
	LEAD ASSY	ALL		9942298	1
	LEAD ASSY - Lamp to lamp connector	Sedan		9936802	1
	BODY - Male connector	Sedan		2962984	3
9.658	PLATE – Door paint protection				
	PLATE PACKAGE - Set of 4	Sedan		2820272	1
	PLATE PACKAGE - Set of 2	Hatchback		2820277	1

CHASSIS

TORANA "LX" PARTS CATALOGUE

GROUP	DESCRIPTION	MODEL	SIDE	PART No.	QTY.
9.662	RADIO/STEREO CASSETTE PLAYER, STEREO CASSETTE PLAYER – Air Chief				
	RADIO/STEREO CASSETTE PLAYER PACKAGE	ALL		9931672	1
	EXTENSION SPEAKER PACKAGE – Radio/Stereo cassette player	ALL		9935257	1
	ESCUTCHEON – Radio cassette player (Black)	UG, VB		VS13164	1
	ANTENNA – Lockdown spring loaded – Long range	ALL		M37085	1
	ANTENNA – Lockdown spring loaded – Medium range	ALL		M37115	1
	ANTENNA & LEAD – In package	ALL		2824959	1
	LEAD-IN	ALL		M35270	1
	ANTENNA PACKAGE – Front fender electric	ALL		9929954	1
	SWITCH ASSY. – Electric antenna	ALL		9930491	1
	SPRING – Electric antenna switch retainer	ALL		2816992	1
9.662	RADIO – Air Chief				
	RADIO PACKAGE	ALL		M37615	1
	INSTALLATION KIT	ALL		M37500	1
	ANTENNA & LEAD IN PACKAGE	ALL		2824959	1
9.665	SCREEN – Radiator insect				
	SCREEN PACKAGE	ALL		9932150	1
9.668	SHADE PACKAGE – Rear window venetian				
	SHADE PACKAGE	Sedan		9932125	1
9.672	SHELF – Parcel				
	SHELF PACKAGE		RIGHT HAND DRIVE	9935607	1
	SCREW – Shelf to side and instrument panels		RIGHT HAND DRIVE	9414725	3
	BOLT – Shelf to instrument panel		RIGHT HAND DRIVE	159920	2
	WASHER – Shelf to instrument panel bolt-lock		RIGHT HAND DRIVE	SP2442	2
	NUT – Shelf to instrument panel		RIGHT HAND DRIVE	120361	2
9.675	CHILD & INFANT SAFETY SEAT				
	CHILD SAFETY SEAT PACKAGE	ALL		9677326	1
	INFANT CARRIER PACKAGE	ALL		994259	1
	MOUNTING KIT	ALL		9695953	1
9.680	SUNSHADE – Windshield				
	SUNSHADE PACKAGE – Plain	ALL		9928459	1
	SUNSHADE PACKAGE – Black vinyl	Sedan		9928460CY	1
	SUNSHADE PACKAGE – Chamois vinyl	Sedan		9928460DV	1
	SUNSHADE PACKAGE – Tan vinyl	Sedan		9928460DX	1
	SUNSHADE PACKAGE – Covert vinyl	Sedan		9928460DY	1
	SUNSHADE PACKAGE – Gazelle vinyl	ALL		9928460DW	1
9.684	WEATHERSHEILD – Door mounting				
	WEATHERSHEILD PACKAGE – Clear	Sedan	LH	9942069CLR	1
			RH	9942070CLR	1
	WEATHERSHEILD PACKAGE – Tinted	Sedan	LH	9942069TNT	1
			RH	9942070TNT	1
	WEATHERSHEILD PACKAGE – (Vented) – Clear	Sedan	LH	9942067CLR	1
			RH	9942068CLR	1
	WEATHERSHEILD PACKAGE – (Vented) – Tinted	Sedan	LH	9942067TNT	1
			RH	9942068TNT	1
	WEATHERSHEILD PACKAGE – Clear	Hatchback	LH	9938757CLR	1
			RH	9938758CLR	1
	WEATHERSHEILD PACKAGE – Tinted	Hatchback	LH	9938757TNT	1
			RH	9938758TNT	1
	WEATHERSHEILD PACKAGE – (Vented) – Clear	Hatchback	LH	9938759CLR	1
			RH	9938760CLR	1
	WEATHERSHEILD PACKAGE – (Vented) – Tinted ...	Hatchback	LH	9938759TNT	1
			RH	9938760TNT	1
	VENT ASSY. – Clear (vented weathershield)	ALL	LH	M37607CLR	1

TORANA "LX" PARTS CATALOGUE

GROUP	DESCRIPTION	MODEL	SIDE	PART No.	QTY.
9.684	WEATHERSHEILD – Door mounting (contd.)				
	VENT ASSY - Tinted (vented weathershield)	ALL	RH	M37606CLR	1
			LH	M37607TNT	1
			RH	M37606TNT	1
9.685	HUTCH – Hatchback camping package				
	HUTCH PACKAGE	Hatchback		9941933	1
9.709	LIGHTER ASSEMBLY – Cigarette				
	LIGHTER ASSY - (Casco)	ALL		2824474	1
	LIGHTER ASSY - (Cuno)	ALL		2824624	1
	PLUNGER and KNOB ASSY - (Casco)	ALL		2824475	1
	PLUNGER and KNOB ASSY - (Cuno)	ALL		2824625	1
	BRACKET - Cigarette lighter earth	ALL		2829872	1
9.743	FACIA – Instrument panel				
	FACIA ASSY - Black	UG, VB exc. Taxi Equip., Air Cond.			
		RIGHT HAND DRIVE		9941912CY	1
	FACIA ASSY Black	VB exc. Air Cond.	LEFT HAND DRIVE	9928472CY	1
	FACIA ASSY - Covert	UG, VB exc. Taxi Equip., Air Cond.			
		RIGHT HAND DRIVE		9941912DY	1
	FACIA ASSY Covert	VB exc. Air Cond.	LEFT HAND DRIVE	9928472DY	1
	FACIA ASSY Black	VB Air Cond. exc. Taxi Equip.			
		RIGHT HAND DRIVE		9929595CY	1
	FACIA ASSY Black	VB Air Cond.	LEFT HAND DRIVE	9929598CY	1
	FACIA ASSY Covert	VB Air Cond. exc. Taxi Equip			
		RIGHT HAND DRIVE		9929595DY	1
	FACIA ASSY Covert	VB Air Cond.	LEFT HAND DRIVE	9929598DY	1
	FACIA ASSY Tan	VB Air Cond.	LEFT HAND DRIVE	9929598DX	1
	FACIA ASSY Black	UG, VB Taxi Equip. exc. Air Cond.			
		RIGHT HAND DRIVE		9942774CY	1
	FACIA ASSY - Covert	UG, VB Taxi Equip. exc. Air Cond.			
		RIGHT HAND DRIVE		9942774DY	1
	FACIA ASSY Black	VB Taxi Equip., Air Cond.			
		RIGHT HAND DRIVE		9941104CY	1
	FACIA ASSY Covert	VB Taxi Equip., Air Cond.			
		RIGHT HAND DRIVE		9941104DY	1
	FACIA ASSY Black	UH, VC exc. Air Cond.			
		RIGHT HAND DRIVE		9941382CY	1
		LEFT HAND DRIVE		9941383CY	1
	FACIA ASSY - Covert	UH, VC exc. Air Cond.			
		RIGHT HAND DRIVE		9941382DY	1
		LEFT HAND DRIVE		9941383DY	1
	FACIA ASSY - Tan	UH, VC exc. Air Cond.			
		RIGHT HAND DRIVE		9941382DX	1
		LEFT HAND DRIVE		9941383DX	1
	FACIA ASSY Black	VC Air Cond.			
		RIGHT HAND DRIVE		9941384CY	1
		LEFT HAND DRIVE		9941385CY	1
	FACIA ASSY Covert	VC Air Cond.			
		RIGHT HAND DRIVE		9941384DY	1
		LEFT HAND DRIVE		9941385DY	1
	FACIA ASSY Tan	VC Air Cond.			
		RIGHT HAND DRIVE		9941384DX	1
		LEFT HAND DRIVE		9941385DX	1
	FACIA ASSY Black	VD exc. Air Cond.		9935993CY	1
	FACIA ASSY Covert	VD exc. Air Cond.		9935993DY	1
	FACIA ASSY Tan	VD exc. Air Cond.		9935993DX	1
	FACIA ASSY - Black	VD Air Cond.		9935992CY	1
	FACIA ASSY - Covert	VD Air Cond.		9935992DY	1
	FACIA ASSY Tan	VD Air Cond.		9935992DX	1
	PLUG - Choke control hole	4 Cyl. Eng.		9930800	1
	PLUG - Choke control hole	8 Cyl. Eng.		9930800	1

TORANA "LX" PARTS CATALOGUE

GROUP	DESCRIPTION	MODEL	SIDE	PART No.	QTY.
9.743	FACIA – Instrument panel (contd.)				
	SCREW - Facia to instrument panel (3/8" long)	ALL		SP2111	6
	SCREW - Facia to instrument panel (1" long)	ALL		SP2581	2
	SCREW - Facia to instrument panel (3/8" long)	ALL		163158	2
9.778	SWITCH, LEAD – Heated rear window				
	SWITCH ASSY	ALL		9935832	1
	SPRING - Switch retainer	ALL		2816992	1
	LEAD ASSY Rear window	ALL		9935930	1
	CLIP - Lead to roof rear upper rail	Hatchback		7426417	1
	CLIP - Lead to rear quarter panel	Hatchback		7426417	1
	GROMMET - Rear compartment front quarter panel	Sedan		SP1982	1
	SCREW Rear window earth	ALL		SP1884	1
	WASHER - Rear window earth - Shakeproof	ALL		121752	1
	LEAD ASSY Extension	(M) Hatchback New Zealand		9941654	1
	BODY - Extension lead, 3 way female connector	(M) Hatchback New Zealand		8905116	1
	BODY - Extension lead, 3 way male connector	(M) Hatchback New Zealand		8905117	1
	LEAD ASSY - Fuse	ALL		9935981	1
	BODY - Fuse connecting - (male)	ALL		2962984	1
	BODY - Fuse connecting	ALL		2962448	1
9.779	HEATER and DEMISTER COMPONENTS				
	BUSHING - Heater door	ALL		VS12783	1
	CABLE ASSY - Demist control (white clamp)	Exc. Air Cond.	RIGHT HAND DRIVE	9928893	1
			LEFT HAND DRIVE	9933003	1
	CABLE ASSY - Heater control (red clamp)		RIGHT HAND DRIVE	9928894	1
			LEFT HAND DRIVE	9933004	1
	CABLE ASSY - Interior control (black clamp)		RIGHT HAND DRIVE	9928892	1
			LEFT HAND DRIVE	9933002	1
	CABLE - Air door control		RIGHT HAND DRIVE	VS12794	1
			LEFT HAND DRIVE	VS12793	1
	CLIP - Heater and demister cables to heater case	ALL		SP2207	2
	BOLT - Cable to control	ALL		SP2165	3
	BOLT - Cable to heater case	ALL		SP2440	3
	NUT - Cable to heater case	ALL		SP1900	3
	WASHER - Cable to control	ALL		9416128	3
	CASE ASSY. - Heater with levers		RIGHT HAND DRIVE	VS12780	1
			LEFT HAND DRIVE	VS12781	1
	CASE - Heater without levers		RIGHT HAND DRIVE	9929205	1
			RH	9929204	1
	CASE - Heater		LEFT HAND DRIVE	9929207	1
			RH	9929208	1
	BOLT - Case to dash panel & blower duct housing	ALL		VS12795	6
	NUT - Case to dash panel	ALL		120375	2
	WASHER - Case to dash panel, flat	ALL		9414920	2
	WASHER - Case to dash panel	ALL		120380	2
	CLIP - Edge	ALL		VS12792	6
	CLIP - Push on	ALL		VS12799	1
	CONTROL ASSY. - Heater	Exc. Air Cond.		9940800	1
	SCREW - Control to facia	ALL		159616	2
	SCREW - Control to adaptor	ALL		9414711	2
	CORE AND FITTING ASSY - Heater		RIGHT HAND DRIVE	2824893	1
			LEFT HAND DRIVE	2824689	1
	COVER - Tank end	ALL		VS12782	1
	DOOR ASSY. - Fresh air	ALL	LH	VS12791	1
			RH	VS12980	1
	DOOR ASSY - Heater	ALL		VS12790	1
	DOOR - Air outlet	ALL		VS12798	1
	PIN - Air outlet door pivot	ALL		VS12806	1
	DOOR - Demist	ALL		VS12789	1
	DUCT ASSY. - Demist	ALL		2824869	1
	BOLT - Demist duct. to inst. panel shroud	ALL		SP2462	3
	NUT - Demist duct. attaching bolt, push on	ALL		SP2466	3
	NUT - Demist duct. attaching bolt, wing	ALL		SP2267	3

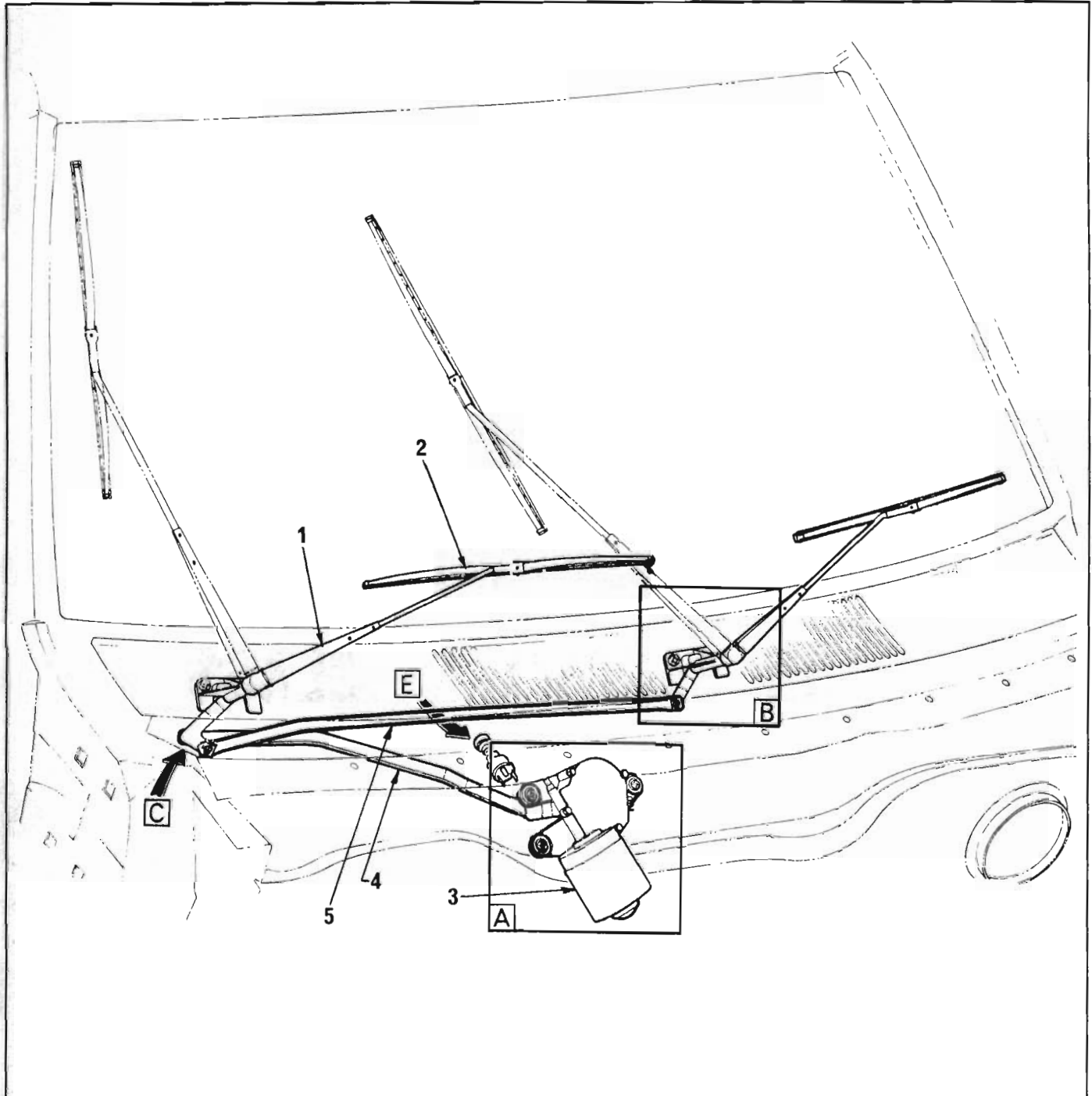
TORANA "LX" PARTS CATALOGUE

GROUP	DESCRIPTION	MODEL	SIDE	PART No.	QTY.
9.779 HEATER and DEMISTER COMPONENTS (contd.)					
	WASHER - Demist duct attaching bolt	ALL		SP1438	3
	DUCT - Upper level outlet	ALL		9928449	2
	GASKET	ALL		VS12797	1
	HOSE - Heater inlet to manifold	6 Cyl. Eng. exc. Air Cond.			
		RIGHT HAND DRIVE		9928602	1
		LEFT HAND DRIVE		9929736	1
	HOSE - Heater inlet to manifold	4.2 Litre Eng. exc. Air Cond.			
		RIGHT HAND DRIVE		9929674	1
		LEFT HAND DRIVE		2820892	1
	HOSE - Heater inlet to manifold	5 Litre Eng. exc. Air Cond.		9928623	1
	HOSE - Heater outlet to thermostat housing	6 Cyl. Eng. exc. Air Cond.			
		RIGHT HAND DRIVE		9928592	1
		LEFT HAND DRIVE		2818166	1
	CLIP - Inlet to outlet hose	6, 8 Cyl. Eng. exc. Air Cond.		7433806	A.R.
	CLAMP - Hose .97" dia.	6, 8 Cyl. Eng. exc. Air Cond.		SP1701	A.R.
	CLAMP - Hose 1.03" dia.	6, 8 Cyl. Eng. exc. Air Cond.		SP1610	A.R.
	HOSE - Heater outlet to water pump	4 Cyl. Eng.	RIGHT HAND DRIVE	9933196	1
			LEFT HAND DRIVE	9929734	1
	HOSE - Heater outlet to water pump	8 Cyl. Eng. exc. Air Cond.			
		RIGHT HAND DRIVE		9928598	1
		LEFT HAND DRIVE		2813325	1
	HOSE - Thermostat housing to heater inlet	4 Cyl. Eng. exc. Air Cond.			
		RIGHT HAND DRIVE		9932893	1
		LEFT HAND DRIVE		2813324	1
	CLIP - Inlet to outlet hose	ALL		7433806	A.R.
	CLAMP - Hose 1.12" dia.	4 Cyl. Eng. exc. Air Cond.		SP1758	A.R.
	CLAMP - Hose .97" dia.	Exc. Air Cond.		SP1701	A.R.
	CLAMP - Hose 1.03" dia.	6, 8 Cyl. Eng. exc. Air Cond.		SP1610	A.R.
	HOUSING - Heater blower duct.	Exc. Air Cond.		2824344	1
	BOLT - Housing and earth lead to panel	ALL		160515	1
	BOLT - Housing to panel	ALL		9414712	4
	NUT - Housing to heater case	ALL		120375	4
	WASHER - Housing to heater case	ALL		9414920	4
	IMPELLER - Heater blower	Exc. Air Cond.		2818456	1
	NUT - Impeller to heater motor shaft	Exc. Air Cond.		3011293	1
	WASHER - Impeller to heater motor shaft	Exc. Air Cond.		3004686	1
	INLET ASSY. - Heater air	Exc. Air Cond.		2824861	1
	SEAL - Air inlet to dash	Exc. Air Cond.		2818641	1
	KNOB - Control lever	ALL		9929852	2
	SCREW - Control lever knob	ALL		454649	2
	LEVER ASSEMBLY - Temperature control	ALL		9928384	1
	CLIP - Lever to base	ALL		SP1762	1
	LEVER - Air outlet	ALL		VS12804	1
	LEVER - Demist door	Exc. Air Cond.		VS12785	1
	LEVER - Fresh air door	Exc. Air Cond.	RIGHT HAND DRIVE	VS12786	1
			LEFT HAND DRIVE	VS12787	1
	LEVER - Fresh air door	Air Cond.	LEFT HAND DRIVE	VS12788	1
	LEVER - Heater door	ALL		VS12800	1
	NOZZLE - Heater interior outlet	ALL	LH	9931645	1
			RH	9931646	1
	NUT	ALL		VS12802	6
	NUT - Push on	ALL		VS12796	2
	MOTOR & BLOWER ASSY.	Exc. Air Cond.		9931066	1
	MOTOR ASSY.	Exc. Air Cond.		9931065	1
	SCREW - Motor to air duct housing	ALL		9414723	3
	PLATE - Bell crank housing	ALL		VS12803	1
	SEAL - Heater core	ALL		VS12801	1
	SEAL - Upper level vent	ALL		9928448	1
	SPACER	ALL		VS12805	1
	SPRING - Air outlet door	ALL		VS12807	1
	SPRING - Control lever detent	ALL		2814892	2
	RIVET - Detent spring	ALL		134794	2
	SWITCH ASSY. - Heater blower	Exc. Air Cond.		2814897	1

TORANA "LX" PARTS CATALOGUE

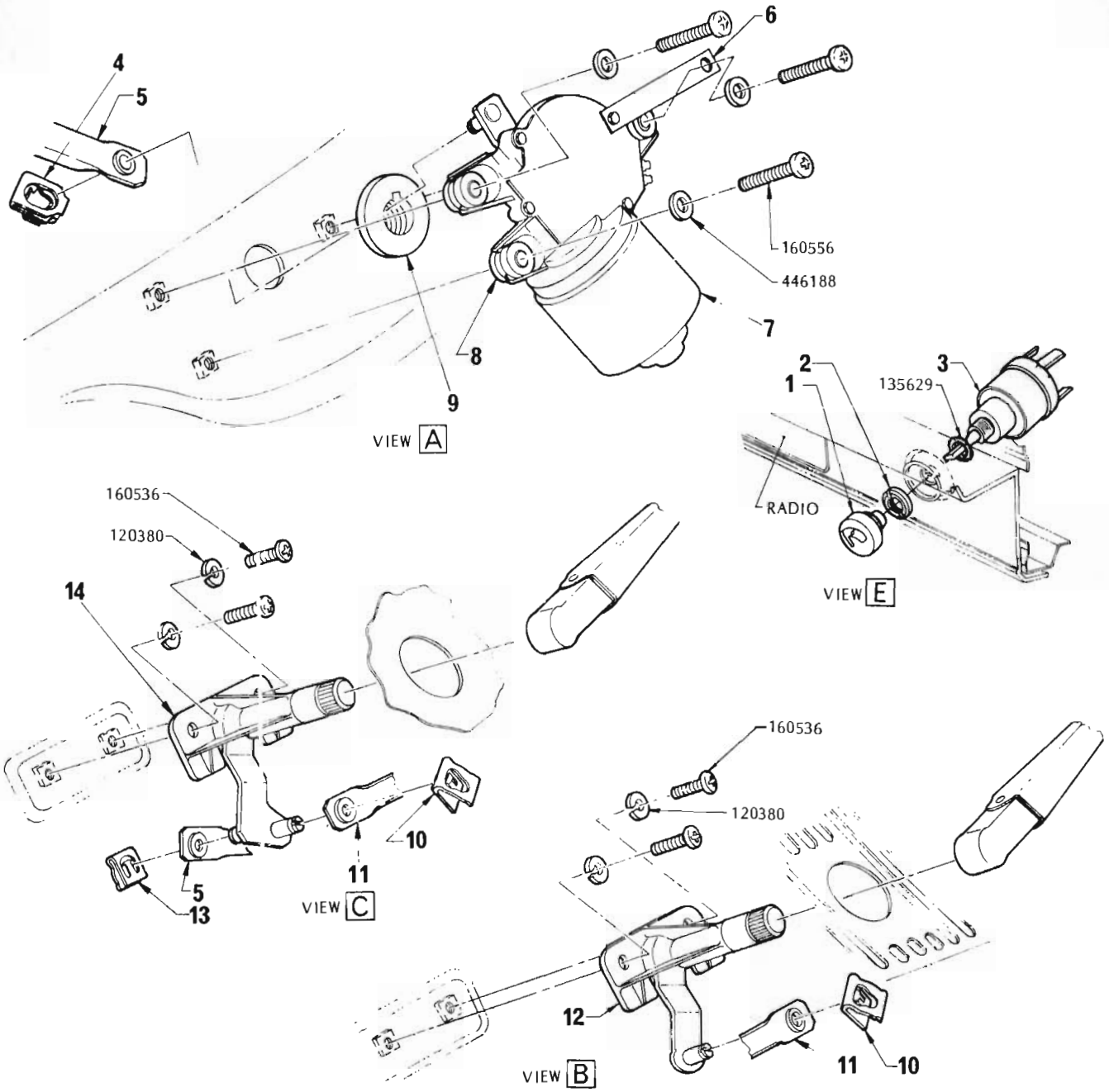
GROUP	DESCRIPTION	MODEL	SIDE	PART No.	QTY.
9.779 HEATER and DEMISTER COMPONENTS (contd.)					
	TUBE - Heater to demist duct.	ALL	LH	9929703	1
			RH	9929702	1
	VANE ASSY. - Outlet vent	Air Cond		9930560	2
	VANE ASSY. - Upper level vent	ALL		9928447	2
9.779 FORCED AIR VENTILATION COMPONENTS - Non heated (Export)					
	CONTROL ASSEMBLY	ALL		9940801	1
9.785 TUBE - Plenum chamber drain					
	TUBE	ALL	LH	2824319	1
			RH	2824320	1

GROUP 10.000
WINDSHIELD
DOOR HARDWARE—GLASS



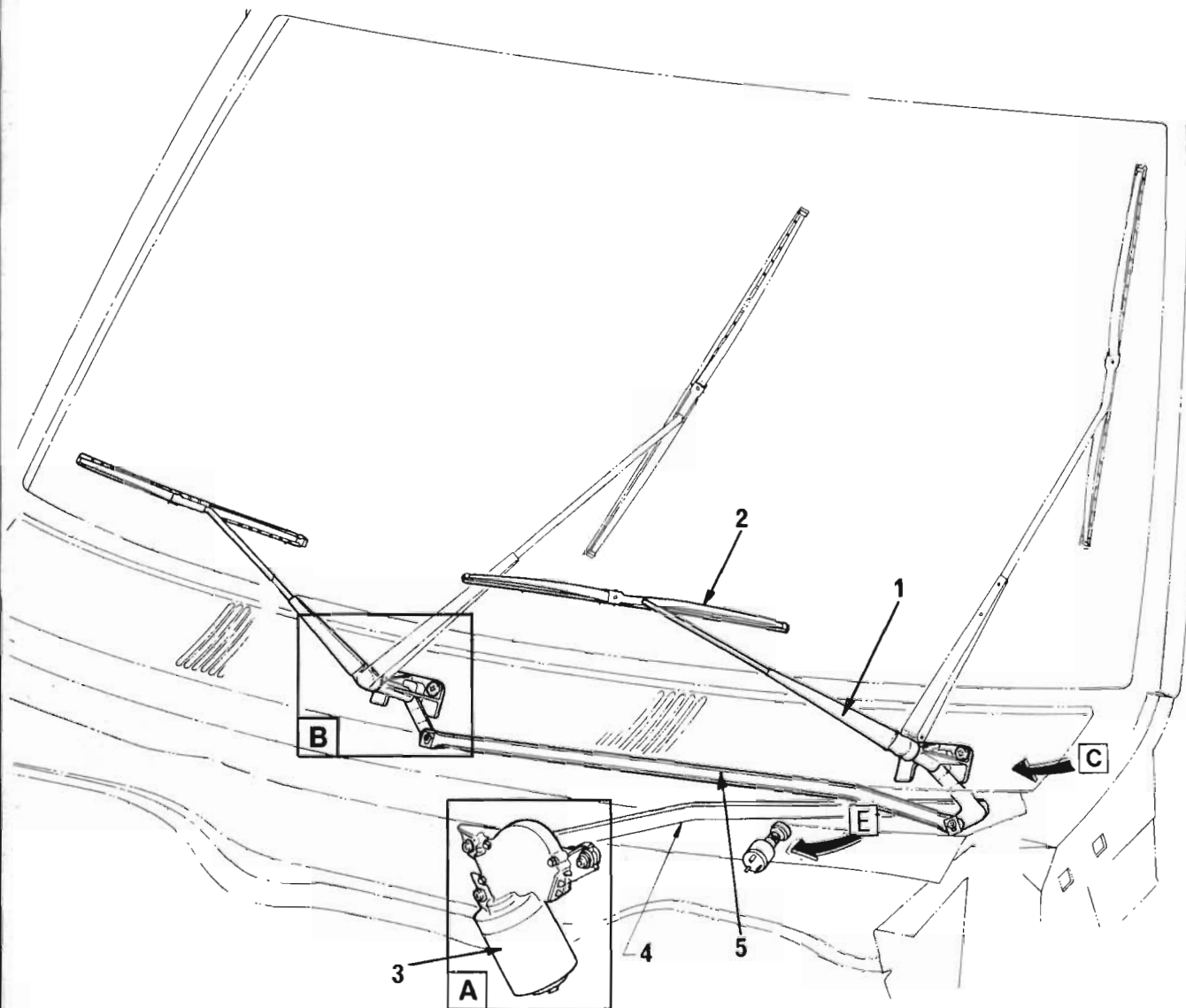
WINDSHIELD WIPER – RIGHT HAND DRIVE

ILLUS. REF. NO.	PART NAME	GROUP	ILLUS. REF. NO.	PART NAME	GROUP
1.	ARM ASSEMBLY	10.147	4.	LINK ASSEMBLY – Drive	10.159
2.	BLADE ASSEMBLY	10.146	5.	LINK ASSEMBLY – Driven	10.159
3.	MOTOR ASSEMBLY	10.150			



WINDSHIELD WIPER – RIGHT HAND DRIVE

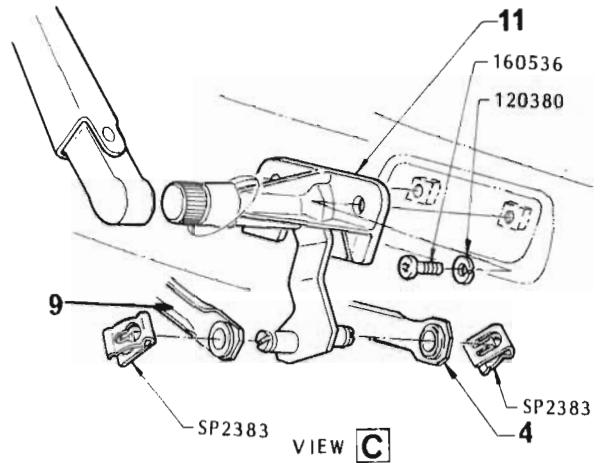
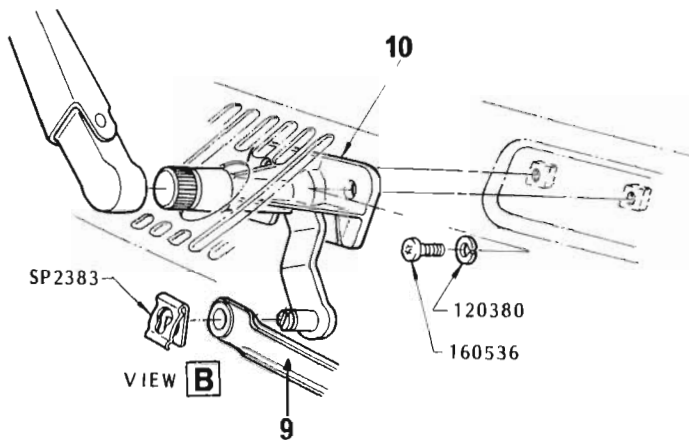
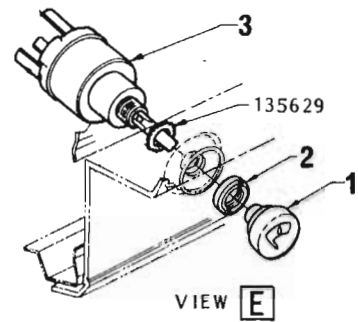
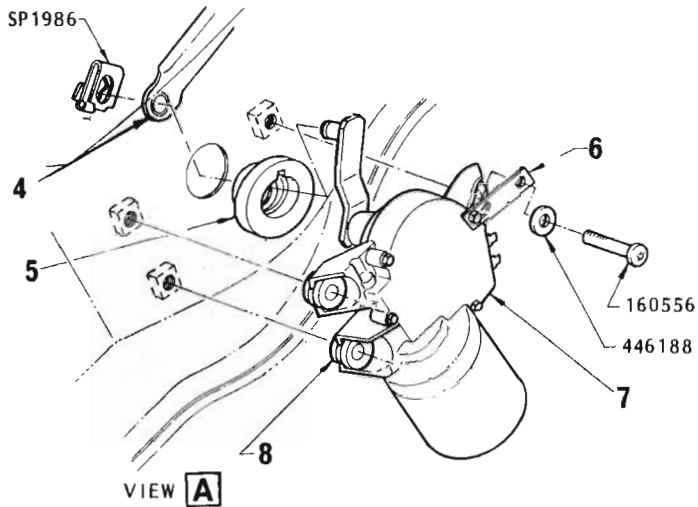
ILLUS. REF. NO.	PART NAME	GROUP	ILLUS. REF. NO.	PART NAME	GROUP
1.	KNOB – Switch	10.163	8.	GROMMET	10.152
2.	NUT – Switch attaching	10.163	9.	SEAL	10.152
3.	SWITCH ASSEMBLY	10.163	10.	CLIP – Driven link attaching.....	10.160
4.	CLIP – Drive link to wiper motor	10.160	11.	LINK ASSEMBLY – Driven	10.159
5.	LINK ASSEMBLY – Drive	10.159	12.	PIVOT & BRACKET ASSY. – Driven	10.159
6.	STRAP – Earth	10.150	13.	CLIP – Drive link to pivot	10.160
7.	MOTOR ASSEMBLY	10.150	14.	PIVOT & BRACKET ASSY. – Drive	10.159



WINDSHIELD WIPER - LEFT HAND DRIVE

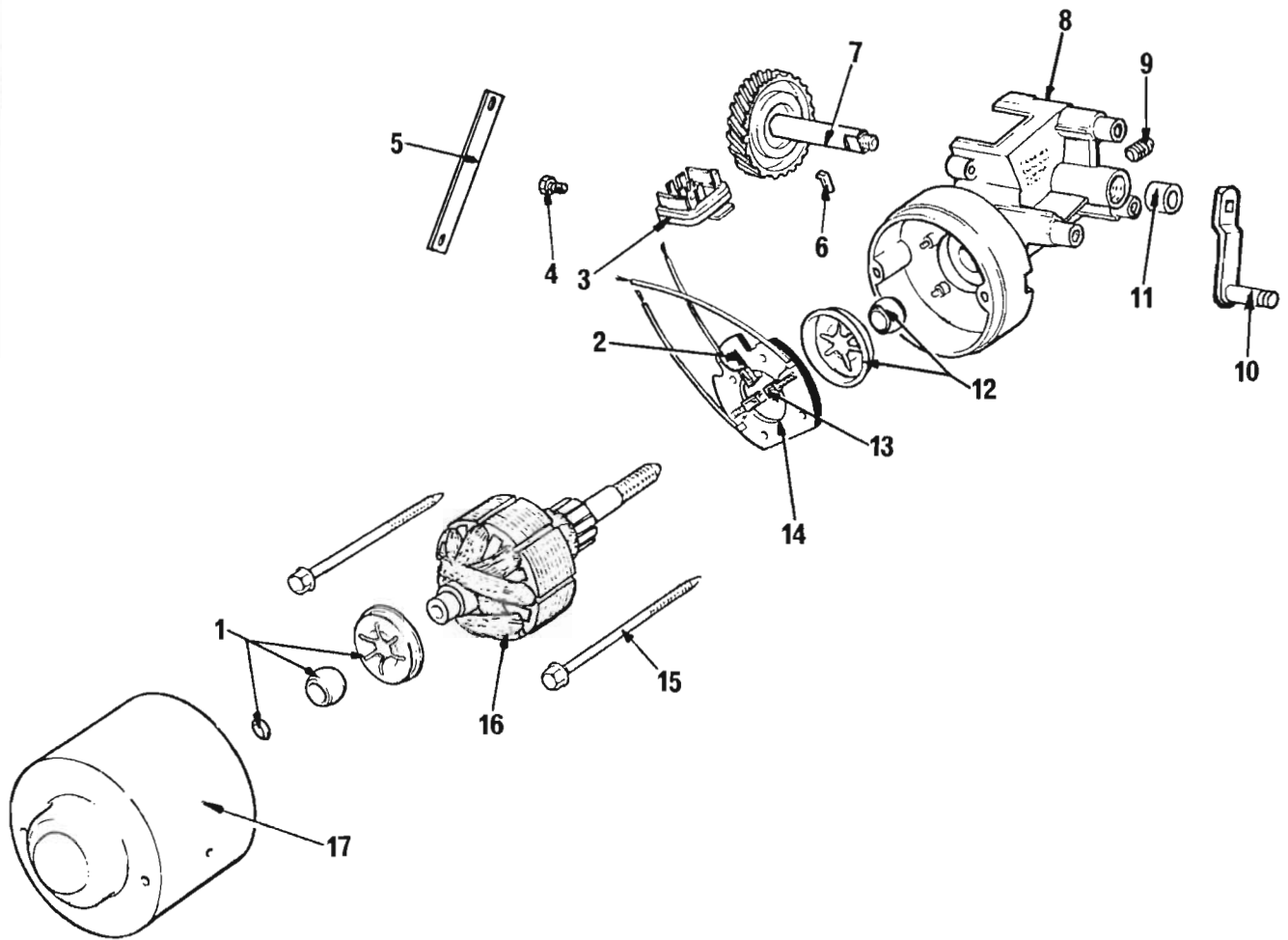
ILLUS. REF. NO.	PART NAME	GROUP
1.	ARM ASSY.	10.147
2.	BLADE ASSY.	10.146
3.	MOTOR ASSY.	10.150
4.	LINK ASSY. - Drive	10.159
5.	LINK ASSY. - Driven	10.159

TORANA "LX" PARTS CATALOGUE



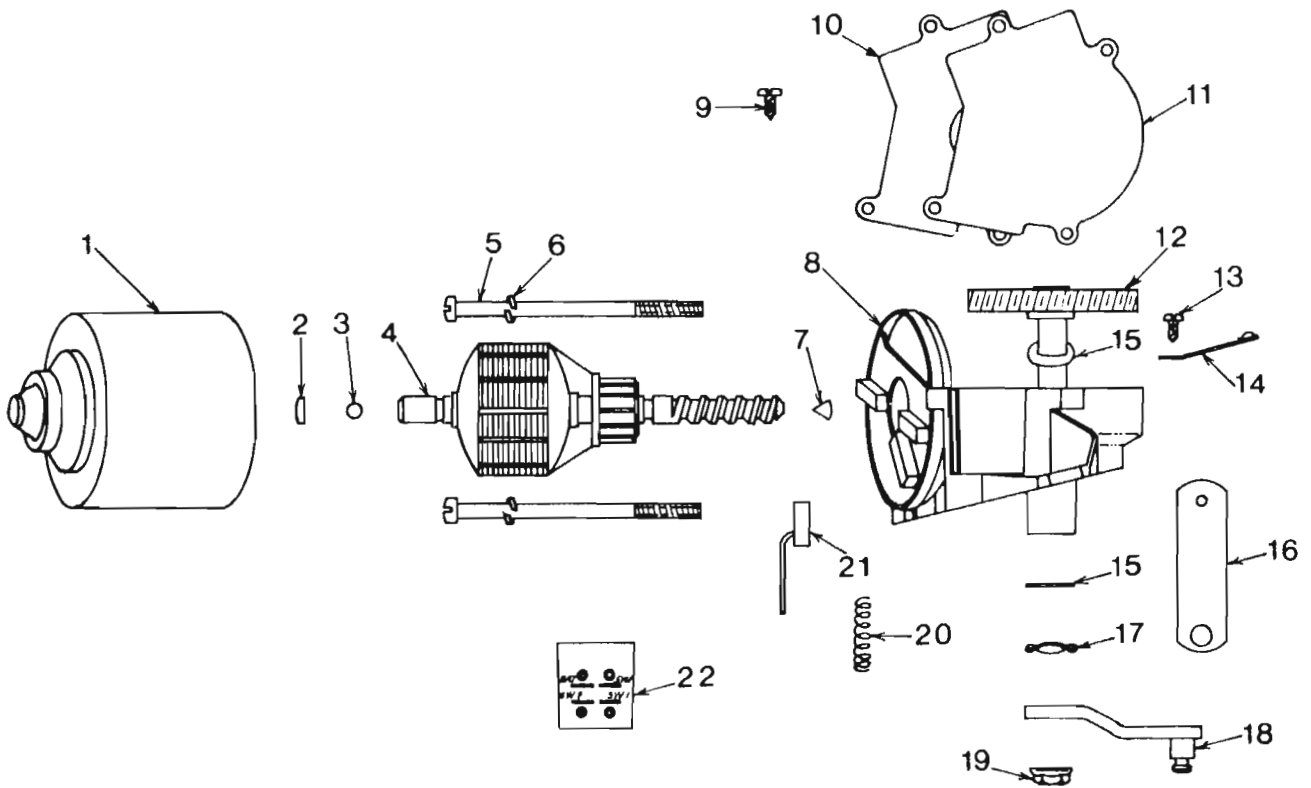
WINDSHIELD WIPER — LEFT HAND DRIVE

ILLUS. REF. NO.	PART NAME	GROUP
1.	KNOB — Switch	10.163
2.	NUT — Switch attaching	10.163
3.	SWITCH ASSY.	10.163
4.	LINK ASSY. — Drive	10.159
5.	SEAL	10.152
6.	STRAP — Earth	10.150
7.	MOTOR ASSY.	10.150
8.	GROMMET	10.152
9.	LINK ASSY. — Driven	10.159



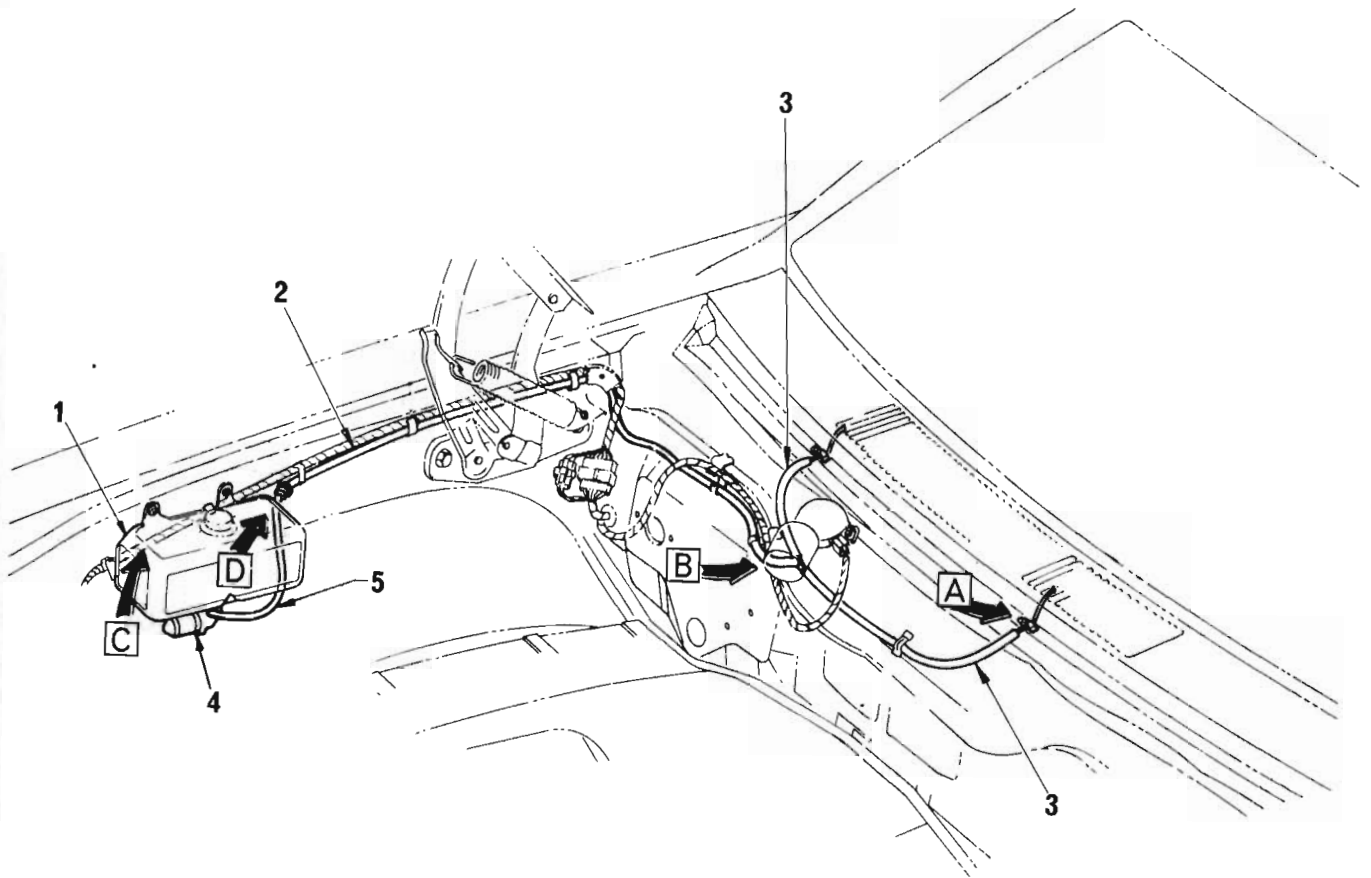
**WINDSHIELD WIPER MOTOR
LUCAS**

ILLUS. REF. NO.	PART NAME	GROUP	ILLUS. REF. NO.	PART NAME	GROUP
1.	BEARING SET – Yoke	10.150	10.	CRANK ASSY.	10.150
2.	SPRING SET – Brush	10.150	11.	BEARING – Drive shaft	10.150
3.	TERMINAL – Switch	10.150	12.	BEARING SET. – Comm. end	10.150
4.	SCREW – Cover attaching	10.150	13.	BRUSH SET	10.150
5.	STRAP – Earth	10.150	14.	BRUSH GEAR	10.150
6.	CONTACT – Earth	10.150	15.	BOLT – Through	10.150
7.	GEAR & SHAFT ASSY.	10.150	16.	ARMATURE ASSEMBLY	10.150
8.	COVER – Gearbox	10.150	17.	YOKE ASSEMBLY	10.150
9.	SCREW – Thrust	10.150			



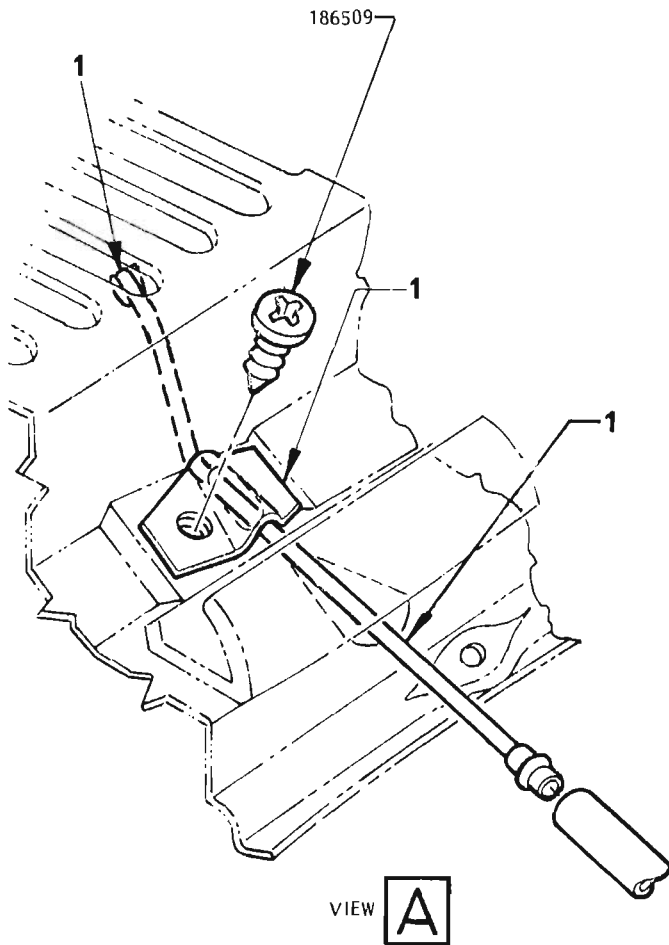
**WINDSHIELD WIPER MOTOR
PRESLITE**

ILLUS. REF. NO.	PART NAME	GROUP	ILLUS. REF. NO.	PART NAME	GROUP
1.	HOUSING - Armature	10.150	12.	GEAR & SHAFT ASSEMBLY	10.150
2.	PAD - Armature thrust	10.150	13.	SCREW - Earth finger	10.150
3.	BALL - Armature thrust	10.150	14.	FINGER - Earth	10.150
4.	ARMATURE ASSEMBLY	10.150	15.	WASHER - Gear & shaft flat	10.150
5.	BOLT - Through	10.150	16.	STRAP - Earth	10.150
6.	WASHER	10.150	17.	WASHER - Gear & shaft wave	10.150
7.	CONE - Armature thrust	10.150	18.	CRANK ASSEMBLY	10.150
8.	HOUSING ASSEMBLY - Gear	10.150	19.	NUT - Crank retaining	10.150
9.	SCREW	10.150	20.	SPRING - Brush	10.150
10.	GASKET	10.150	21.	BRUSH	10.150
11.	PLATE - Cover	10.150	22.	TERMINAL BLOCK ASSEMBLY	10.150

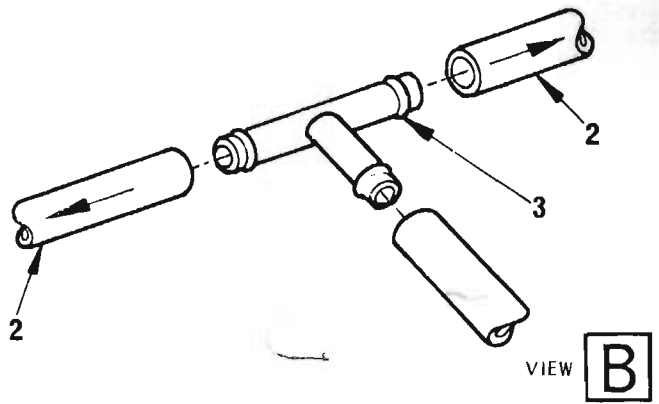


WINDSHIELD WASHER

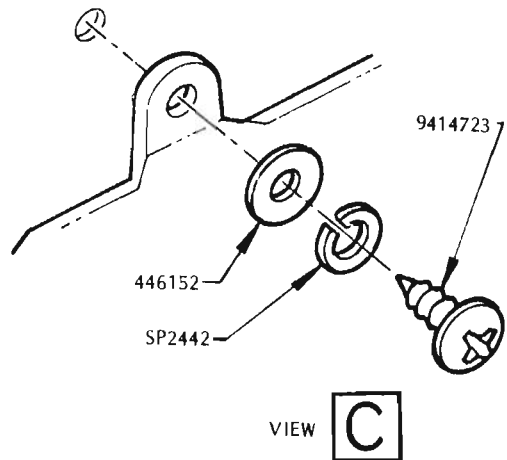
ILLUS. REF. NO.	PART NAME	GROUP
1.	RESERVOIR ASSEMBLY	10.154
2.	HOSE - Valve to tee	10.155
3.	HOSE - Tee to nozzle	10.155
4.	PUMP ASSEMBLY	10.153
5.	HOSE - Reservoir to valve	10.155



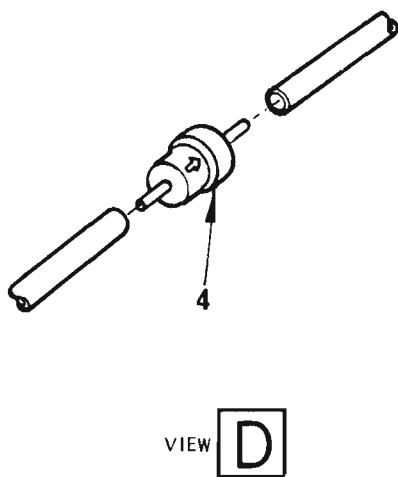
VIEW **A**



VIEW **B**



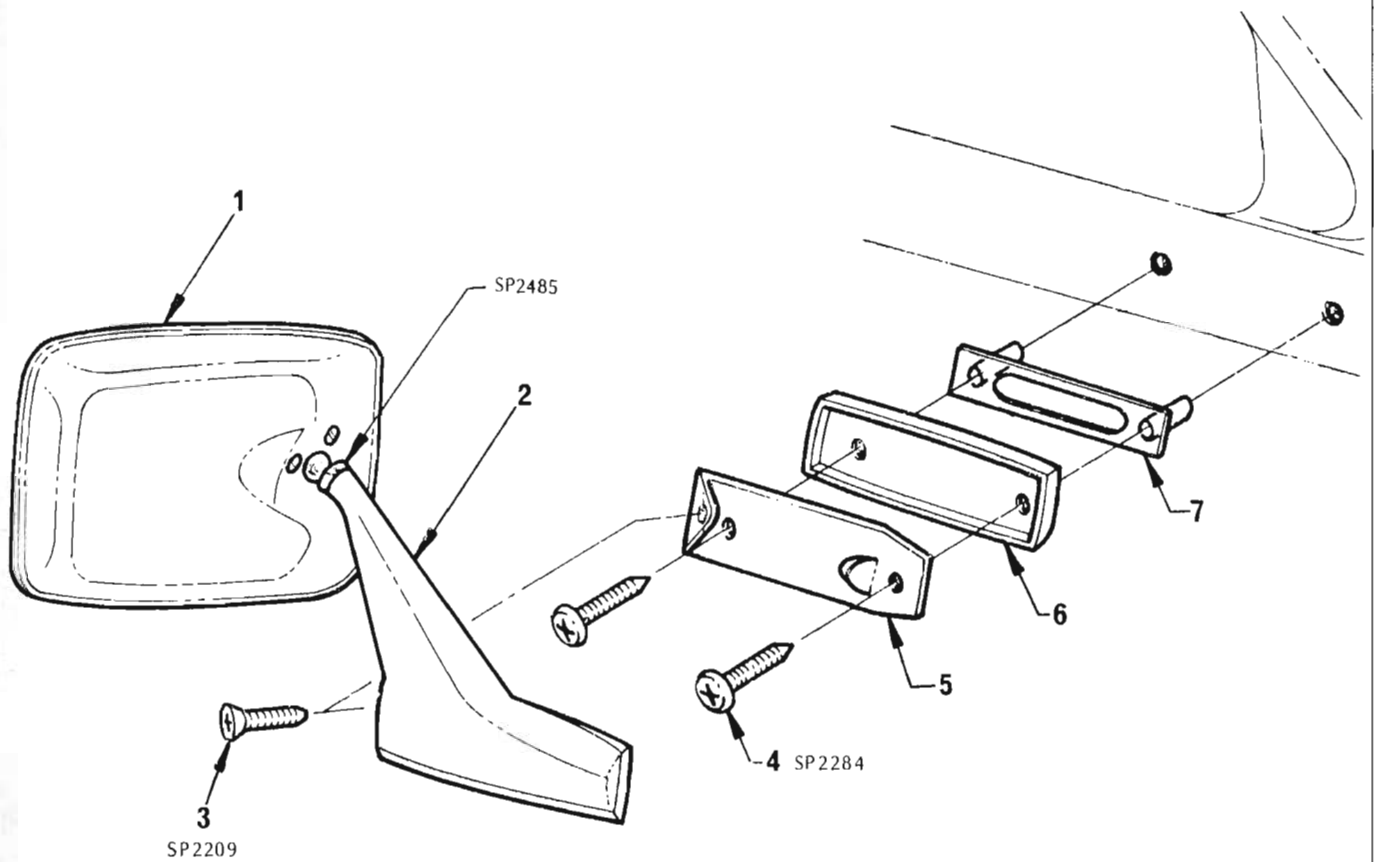
VIEW **C**



VIEW **D**

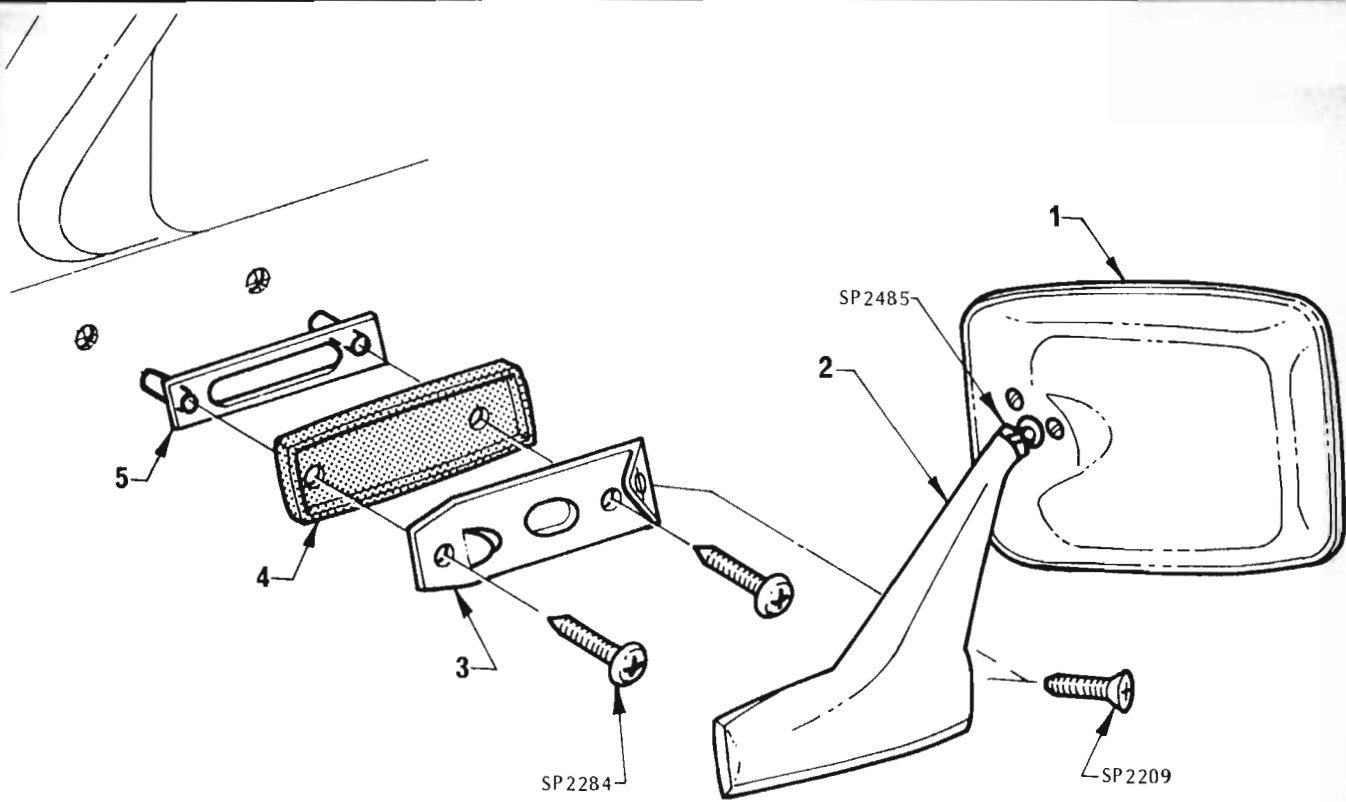
WINDSHIELD WASHER

ILLUS. REF. NO.	PART NAME	GROUP
1.	NOZZLE ASSEMBLY	10.156
2.	HOSE - Tee to nozzle	10.155
3.	TEE	10.155
4.	VALVE ASSEMBLY	10.153

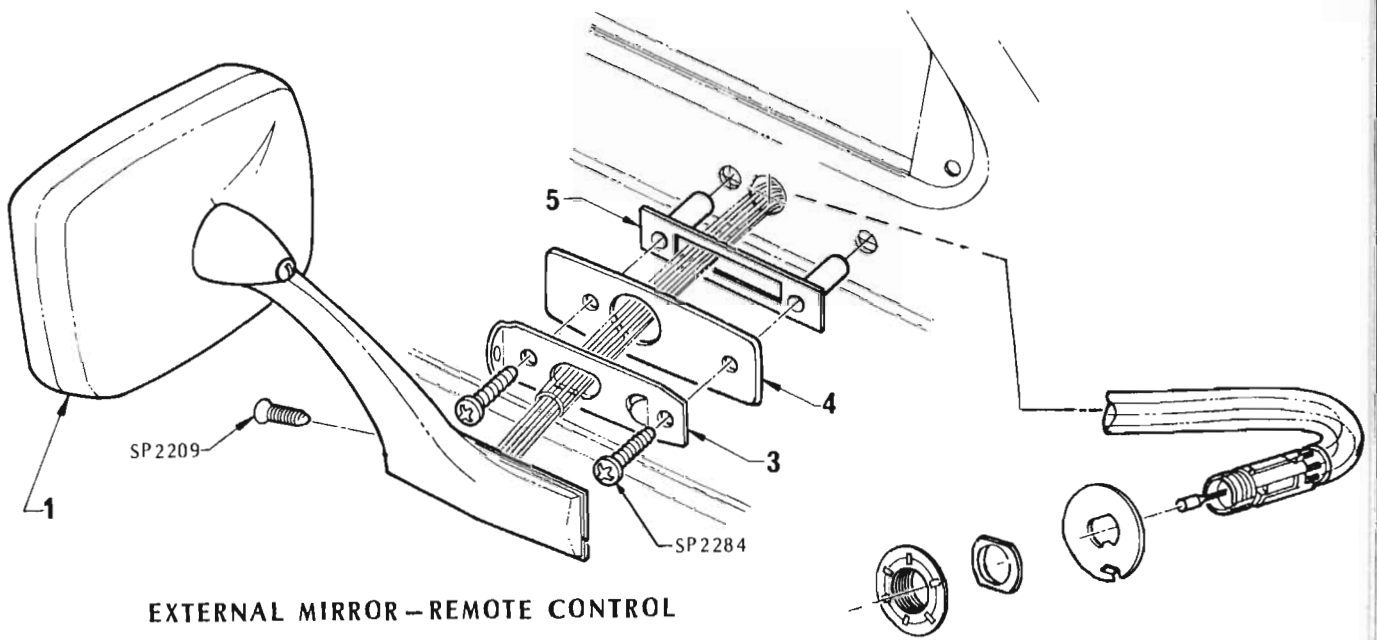


FRONT DOOR MIRROR
Standard Type

ILLUS. REF. NO.	PART NAME	GROUP	ILLUS. REF. NO.	PART NAME	GROUP
1.	MIRROR ASSEMBLY – Exterior	10.185	5.	BRACKET – Exterior mirror mounting	10.187
2.	SUPPORT ASSEMBLY – Exterior	10.187	6.	PAD – Exterior mirror mounting	10.187
3.	SCREW – Support to mounting bracket	10.187	7.	NUT – Mounting twin	10.187
4.	SCREW – Mounting bracket to door	10.187			

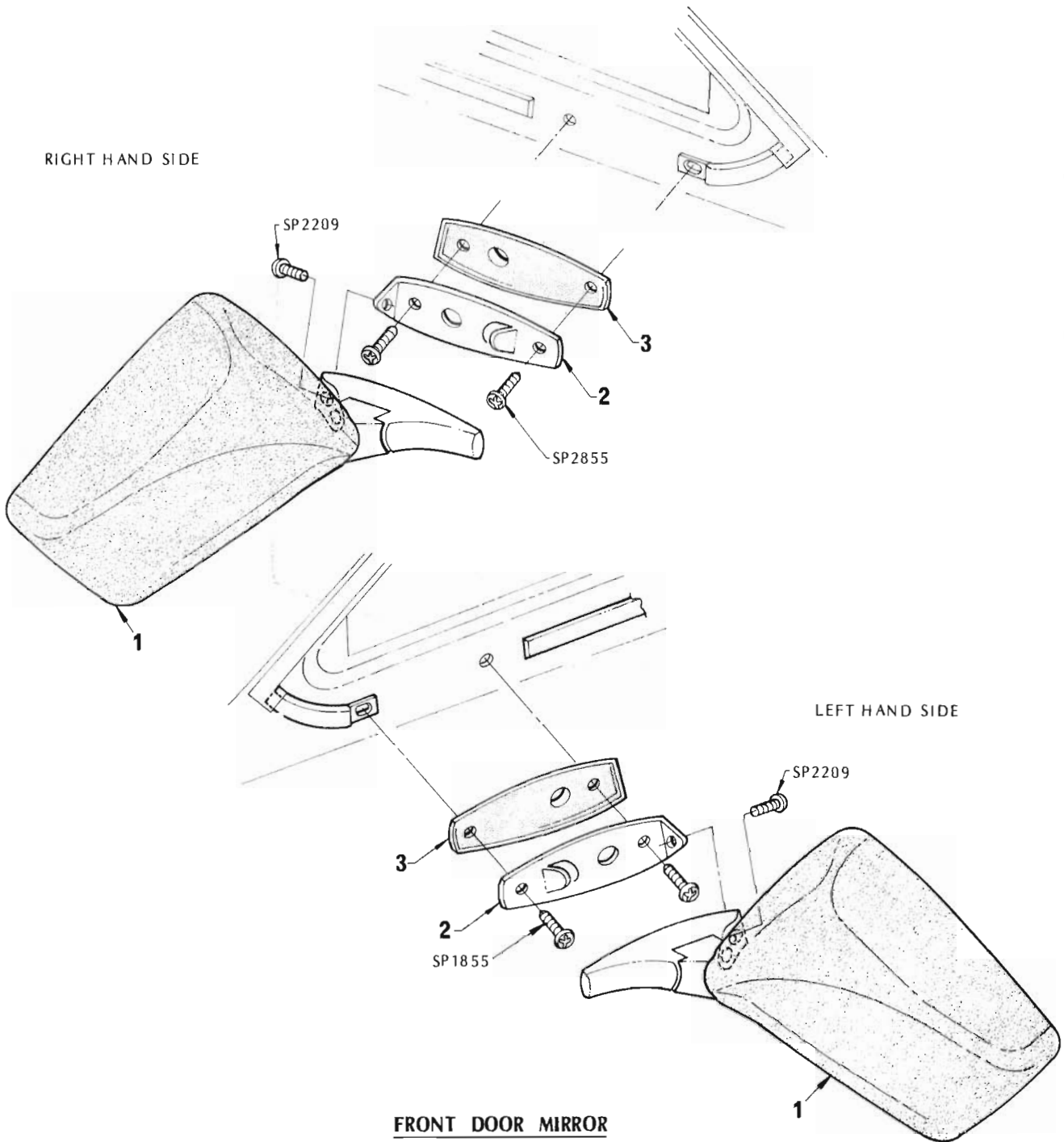


EXTERNAL MIRROR L.H. PACKAGE



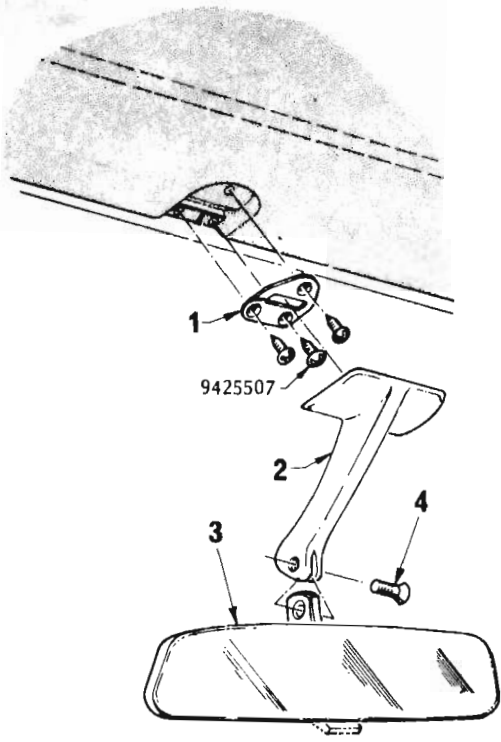
EXTERNAL MIRROR - REMOTE CONTROL

ILLUS. REF. NO.	PART NAME	GROUP
1.	MIRROR ASSY. - Exterior	10.185
2.	SUPPORT ASSY. - Exterior	10.187
3.	BRACKET - Exterior mirror mounting.....	10.187
4.	PAD - Exterior mirror mounting	10.187
5.	NUT - Mounting twin	10.187

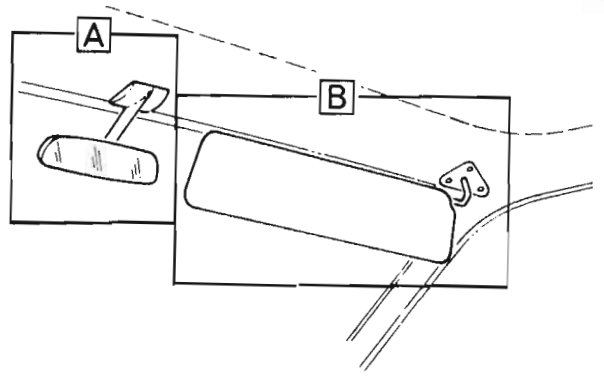


**FRONT DOOR MIRROR
Aerodynamic Type**

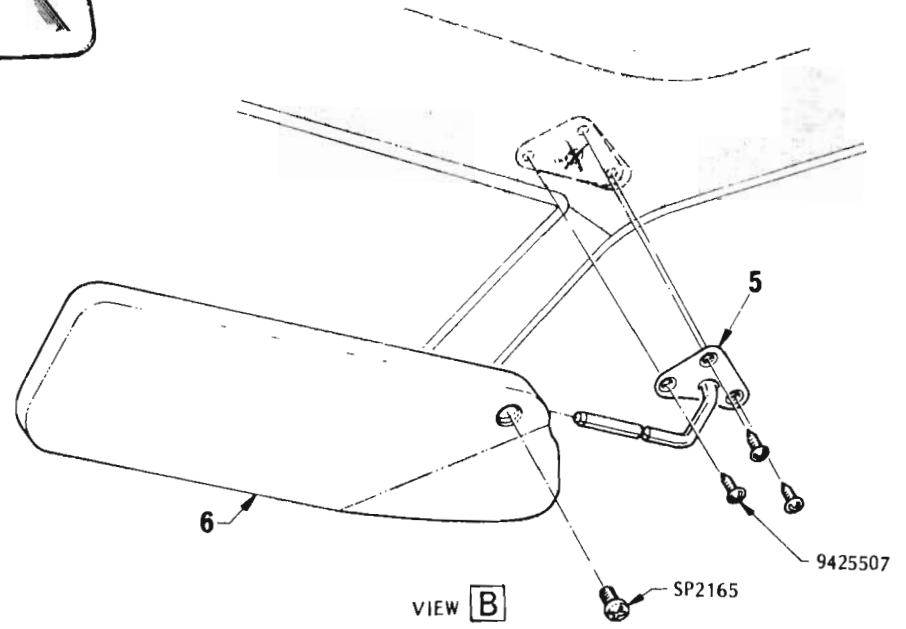
ILLUS. REF. NO.	PART NAME	GROUP
1.	MIRROR ASSEMBLY	10.185
2.	BRACKET - Exterior mirror mounting	10.187
3.	PAD - Exterior mirror mounting	10.187



VIEW A

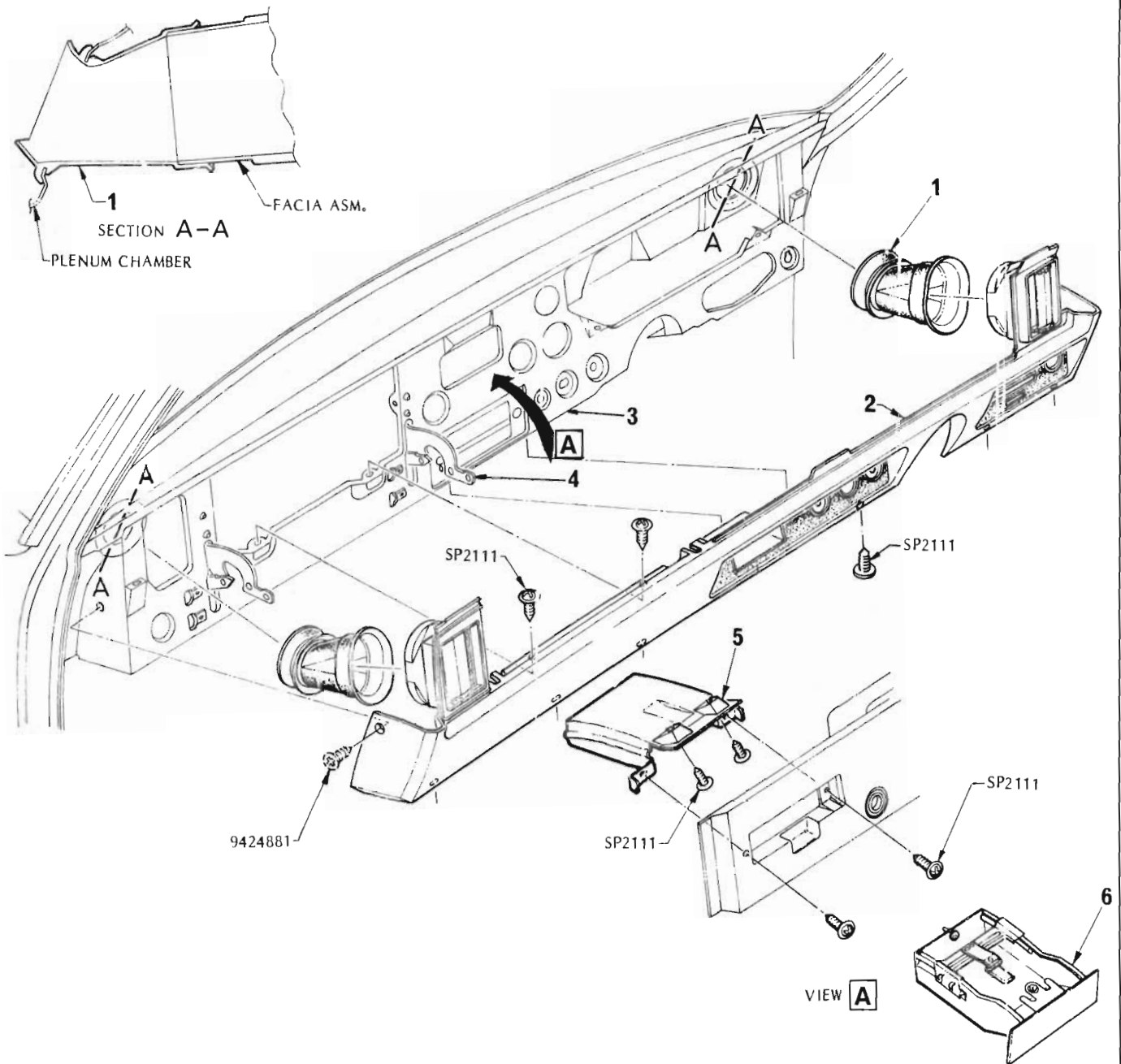


VIEW B



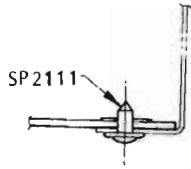
SUN VISOR and INTERIOR MIRROR

ILLUS. REF. NO.	PART NAME	GROUP	ILLUS. REF. NO.	PART NAME	GROUP
1.	PLATE - Support mounting	10.187	4.	SCREW - Mirror pivot	10.185
2.	SUPPORT ASSEMBLY - Interior	10.187	5.	SUPPORT & PIVOT ASSEMBLY	10.219
3.	MIRROR ASSEMBLY - Interior	10.185	6.	SUN VISOR ASSEMBLY	10.203

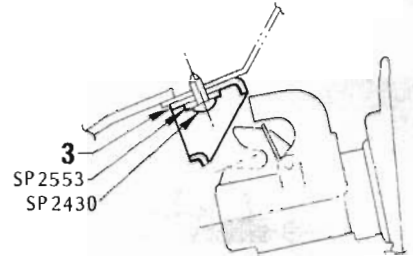


ASH TRAY and INSTRUMENT PANEL FACIA

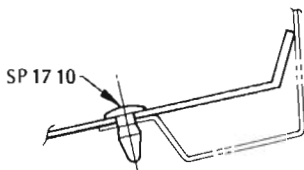
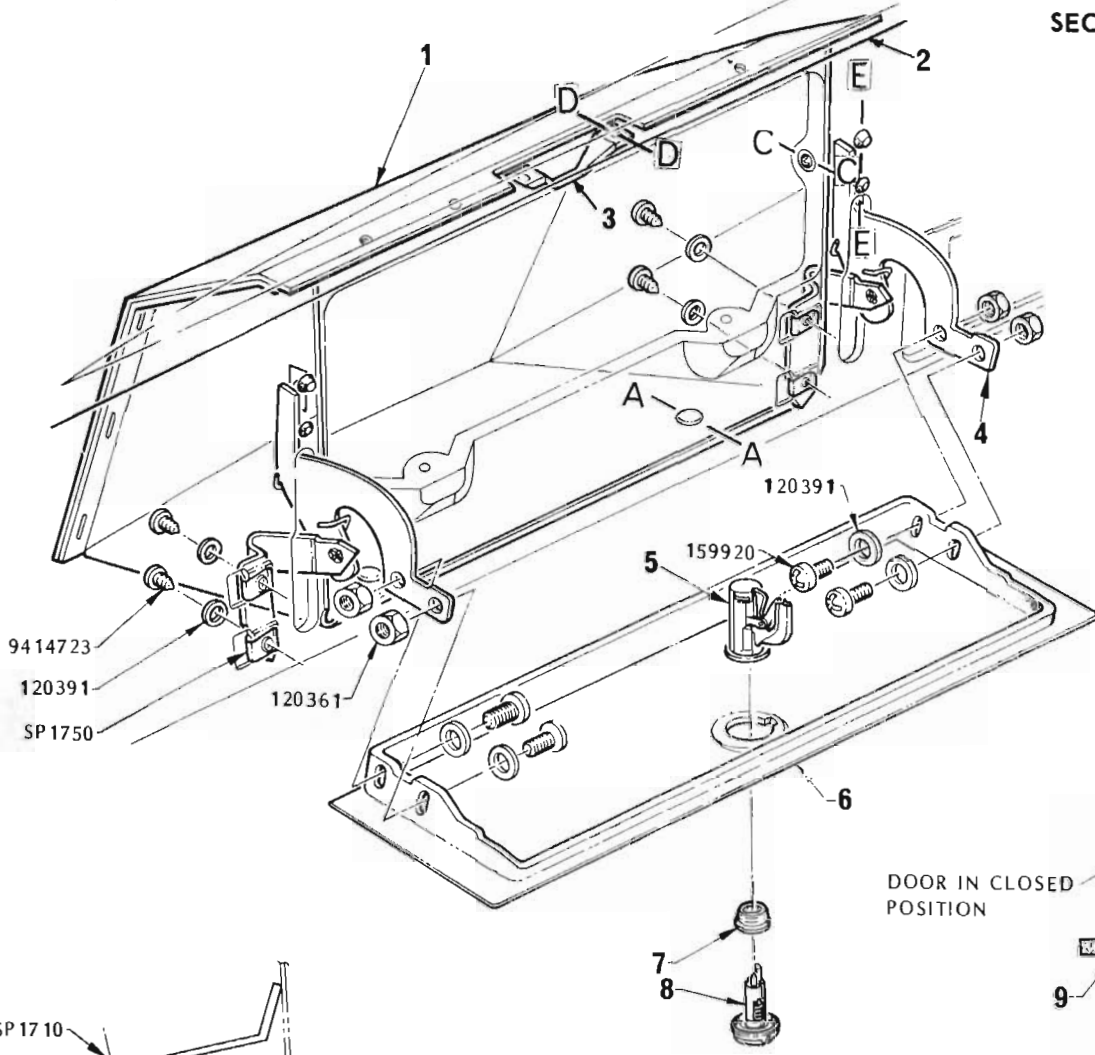
ILLUS. REF. NO.	PART NAME	GROUP	ILLUS. REF. NO.	PART NAME	GROUP
1.	DUCT - Upper level outlet	9.779	4.	HINGE ASSEMBLY	10.262
2.	FACIA ASSEMBLY - Instrument panel	9.743	5.	PANEL - Ash tray mounting	12.010
3.	PANEL ASSEMBLY - Instrument	10.230	6.	ASH TRAY ASSEMBLY	12.009



SECTION C - C

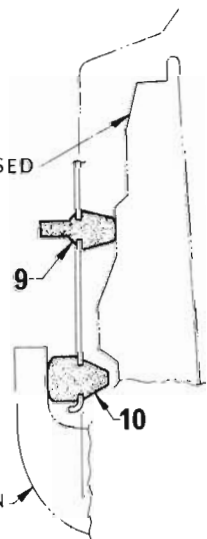


SECTION D - D



SECTION A - A

DOOR IN CLOSED POSITION

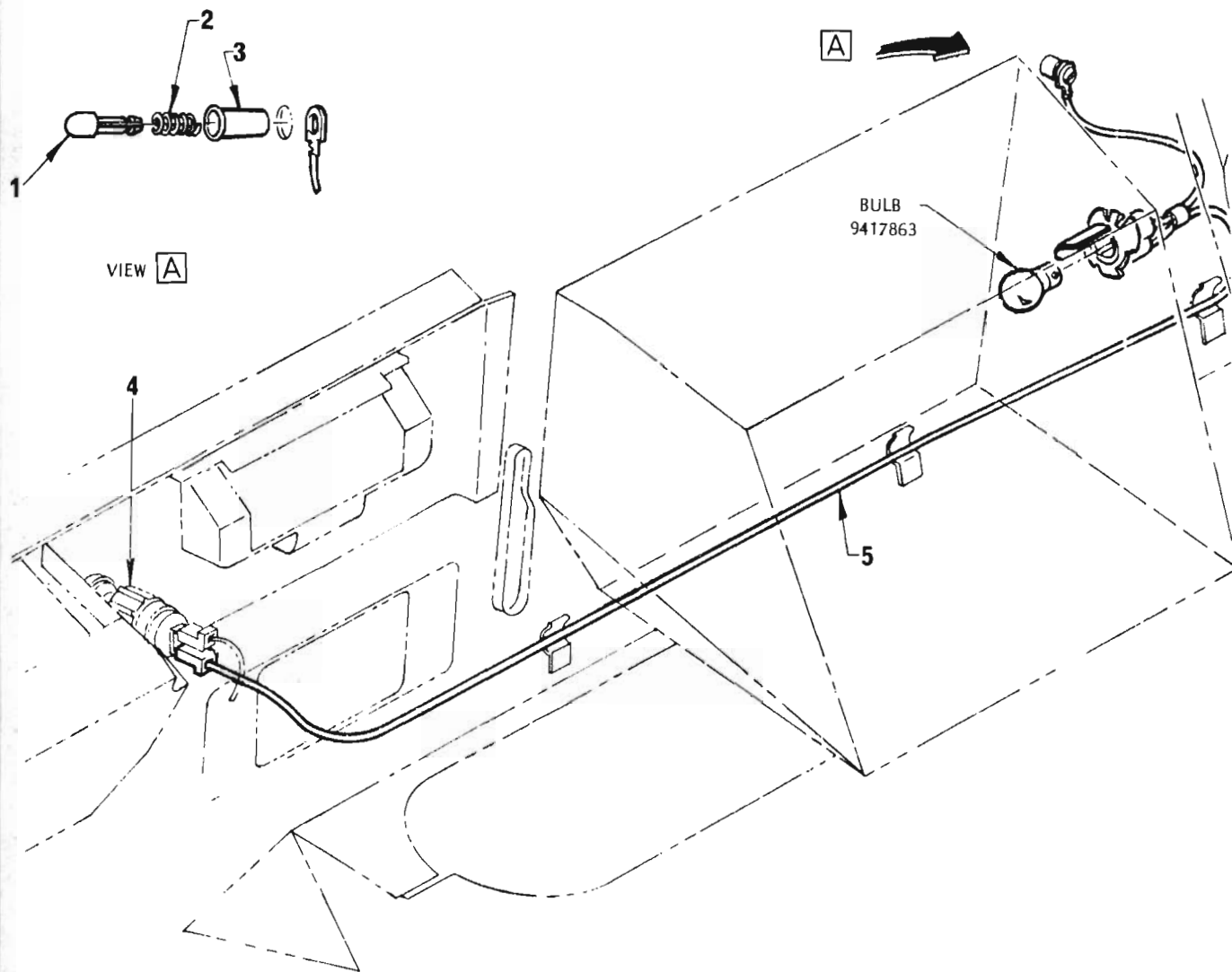


HINGE WITH DOOR IN OPEN POSITION

SECTION E - E

INSTRUMENT PANEL COMPARTMENT and LID

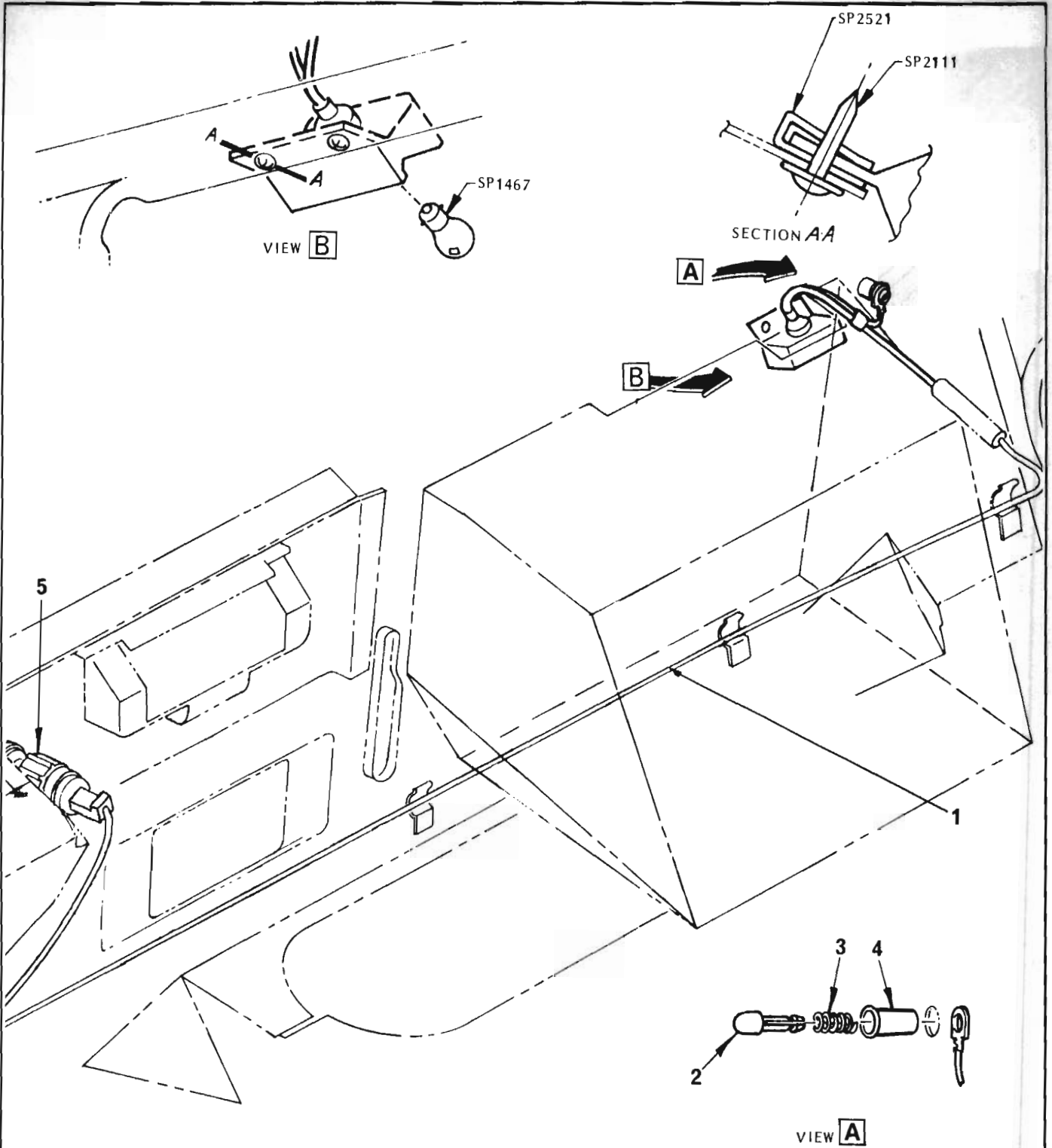
ILLUS. REF. NO.	GROUP	ILLUS. REF. NO.	GROUP
1.	COMPARTMENT ASSEMBLY	10.260	
2.	PANEL ASSEMBLY - Instrument	10.230	
3.	STRIKER	10.268	
4.	HINGE ASSEMBLY	10.262	
5.	CASE ASSEMBLY	10.266	
		6.	LID ASSEMBLY
		7.	ESCUTCHEON - Lock case.....
		8.	LOCK ASSEMBLY
		9.	BUMPER
			10.261
			10.266
			10.266
			10.263



INSTRUMENT PANEL COMPARTMENT LAMP

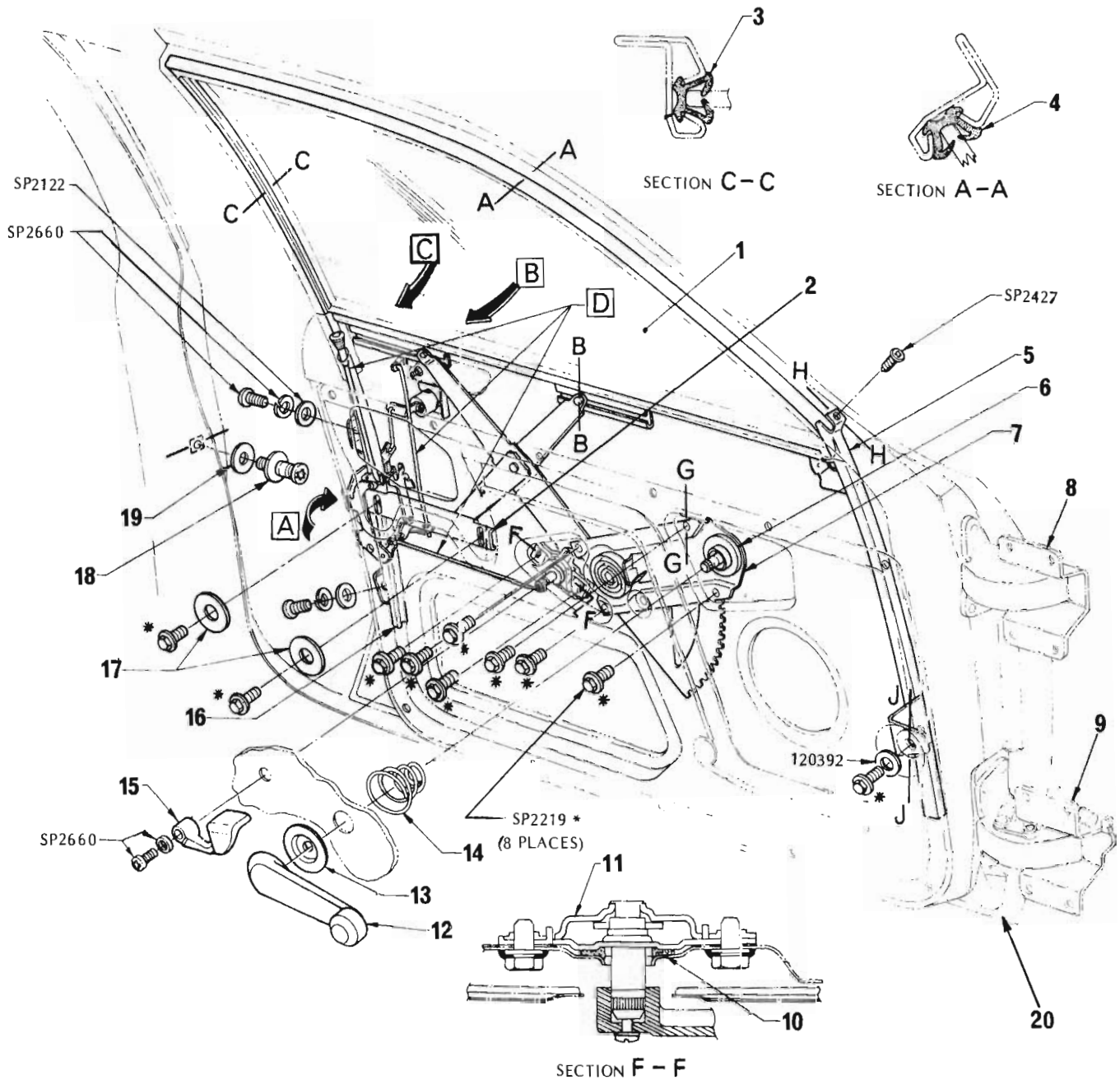
69 Body Styles

ILLUS. REF. NO.	PART NAME	GROUP	ILLUS. REF. NO.	PART NAME	GROUP
1.	PLUNGER - Switch	10.270	4.	LIGHTER ASSY. - Cigarette	9.709
2.	SPRING - Switch	10.270	5.	LEAD ASSY. - Lamp	10.270
3.	BODY - Switch	10.270			



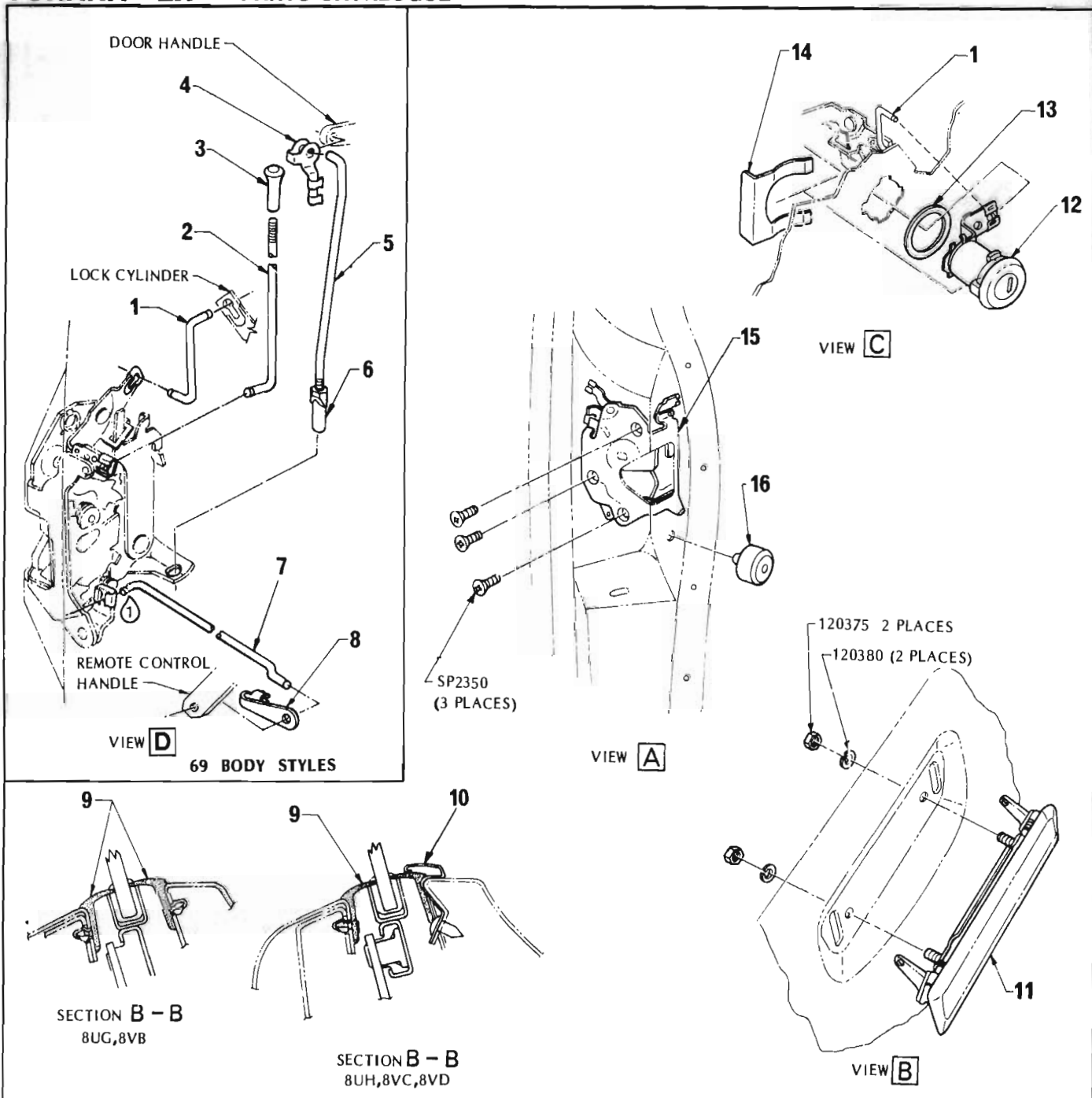
INSTRUMENT PANEL COMPARTMENT LAMP
77 Body Styles

ILLUS. REF. NO.	PART NAME	GROUP	ILLUS. REF. NO.	PART NAME	GROUP
1.	LEAD ASSY. - Lamp	10.270	4.	BODY - Switch	10.270
2.	PLUNGER - Switch	10.270	5.	LIGHTER ASSY. - Cigarette	9.709
3.	SPRING - Switch	10.270			



FRONT DOOR HARDWARE—69 BODY STYLE
 Sections & Views on Illustration Opposite

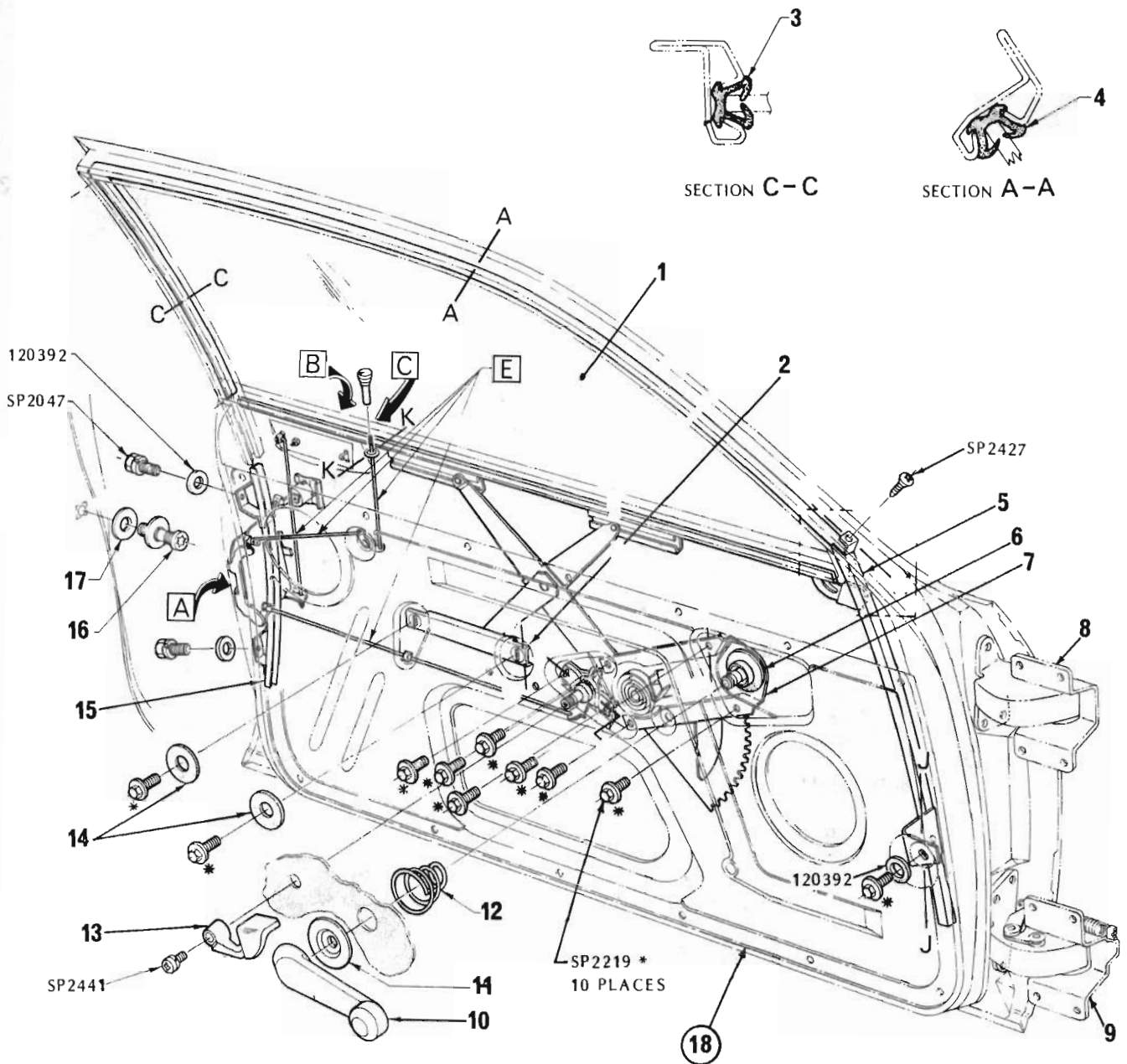
ILLUS. REF. NO.	PART NAME	GROUP	ILLUS. REF. NO.	PART NAME	GROUP
1.	GLASS — Front door	10.681	12.	HANDLE ASSY.	10.797
2.	CAM ASSY. — Sliding	10.783	13.	PLATE — Handle bearing	10.797
3.	CHANNEL — Rear	10.701	14.	SPRING	10.806
4.	CHANNEL — Front	10.701	15.	HANDLE ASSY. — Door remote	10.512
5.	RETAINER — Front channel	10.701	16.	RETAINER — Rear channel	10.701
6.	WASHER — Rubber	10.783	17.	WASHER — Cam to door	10.783
7.	REGULATOR ASSY.	10.783	18.	STRIKER ASSY.	10.569
8.	HINGE ASSY. — Upper	10.450	19.	SPACER — Striker	10.571
9.	HINGE ASSY. — Lower	10.454	20.	DOOR ASSY. — Less trim	10.351
10.	GASKET — Remote control	10.516		PANEL ASSY.	12.895
11.	CONTROL ASSY. — Door lock remote	10.500		PANEL — Outer	12.895



FRONT DOOR HARDWARE

Sections & Views from Illustration Opposite

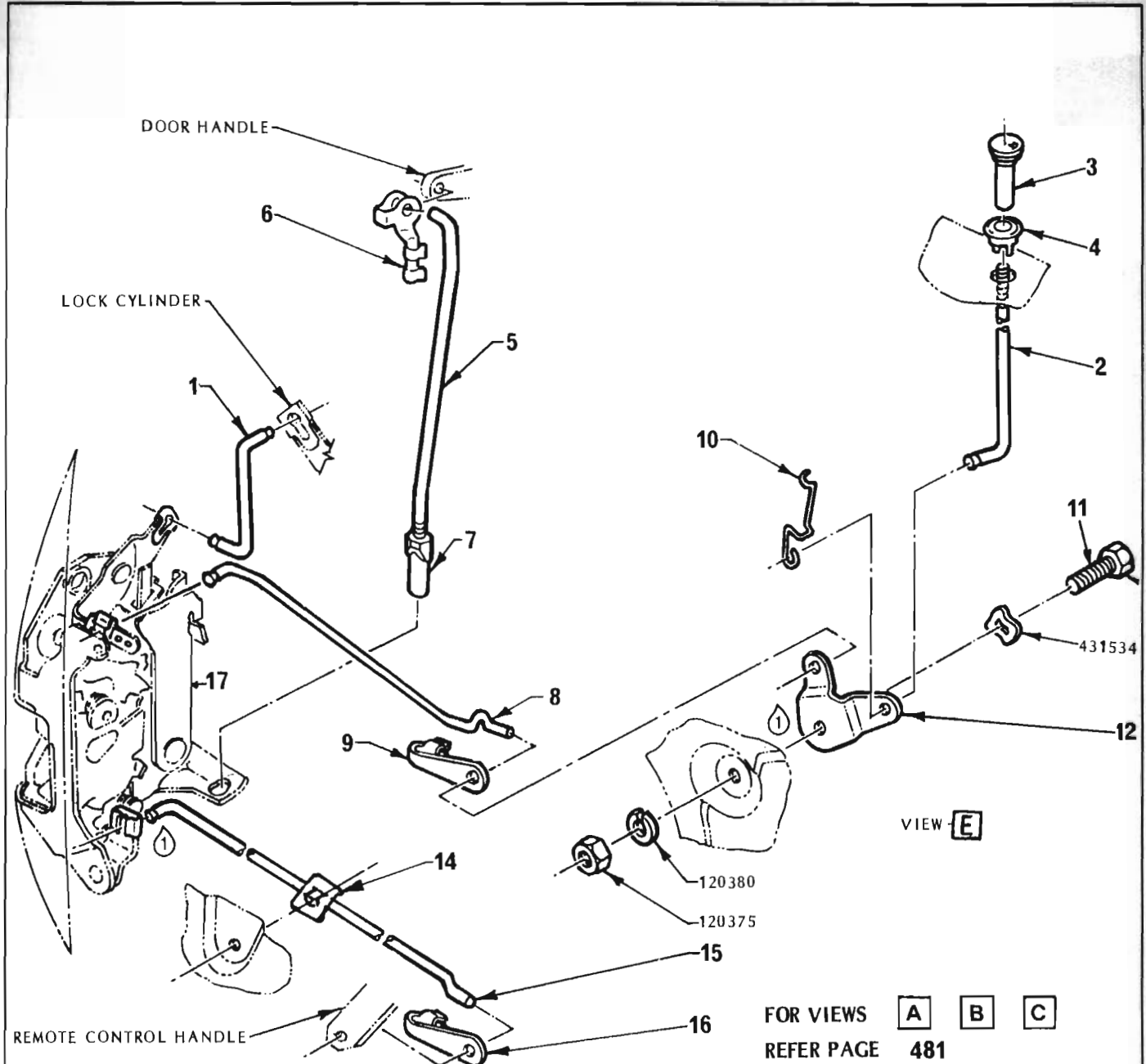
ILLUS. REF. NO.	PART NAME	GROUP	ILLUS. REF. NO.	PART NAME	GROUP
1.	ROD	10.507	9.	WEATHERSTRIP	10.710
2.	ROD - Front	10.563	10.	MOULDING & WEATHERSTRIP - Belt	12.112
3.	KNOB - Front	10.559	11.	HANDLE	10.527
4.	CLIP - Handle to lock conn. rod	10.529	12.	BARREL ASSEMBLY	10.550
5.	ROD - Front handle to lock conn.	10.529	13.	GASKET - Door lock cylinder	10.550
6.	NUT - Rod adjusting	10.529	14.	RETAINER	10.553
7.	ROD - Front door connecting	10.506	15.	LOCK & SEAL ASSY.	10.470
8.	CLIP - Front door rod retaining	10.506	16.	BUMPER	10.587



VIEWS ON ILLUSTRATION OPPOSITE

FRONT DOOR HARDWARE
77 Body Styles

ILLUS. REF. NO.	PART NAME	GROUP	ILLUS. REF. NO.	PART NAME	GROUP
1.	GLASS - Front door	10.681	11.	PLATE - Handle bearing.....	10.787
2.	CAM ASSEMBLY - Sliding	10.783	12.	SPRING	10.806
3.	CHANNEL - Rear	10.701	13.	HANDLE ASSEMBLY - Door remote	10.512
4.	CHANNEL - Front	10.701	14.	WASHER - Cam to door.....	10.783
5.	RETAINER - Front channel	10.701	15.	RETAINER - Rear channel	10.701
6.	WASHER - Rubber	10.783	16.	STRIKER ASSEMBLY	10.569
7.	REGULATOR ASSEMBLY	10.783	17.	SPACER - Striker	10.571
8.	HINGE ASSEMBLY - Upper	10.450	18.	DOOR ASSY. - Less trim.....	10.351
9.	HINGE ASSEMBLY - Lower	10.454		PANEL ASSEMBLY	12.895
10.	HANDLE ASSEMBLY	10.787		PANEL OUTER	12.895



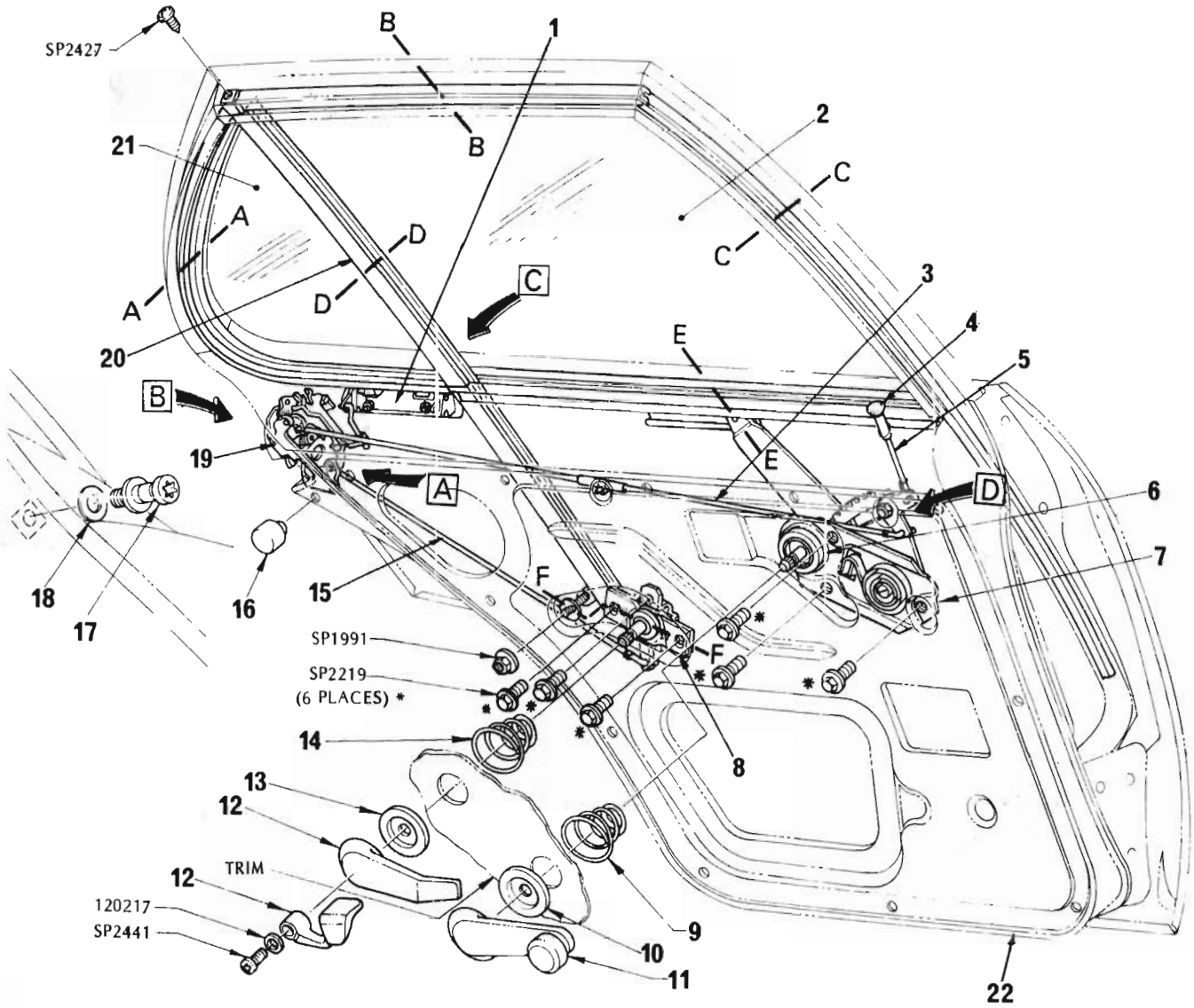
FOR VIEWS **A** **B** **C**
REFER PAGE **481**

FRONT DOOR LOCK and REMOTE CONTROL

77 Body Styles

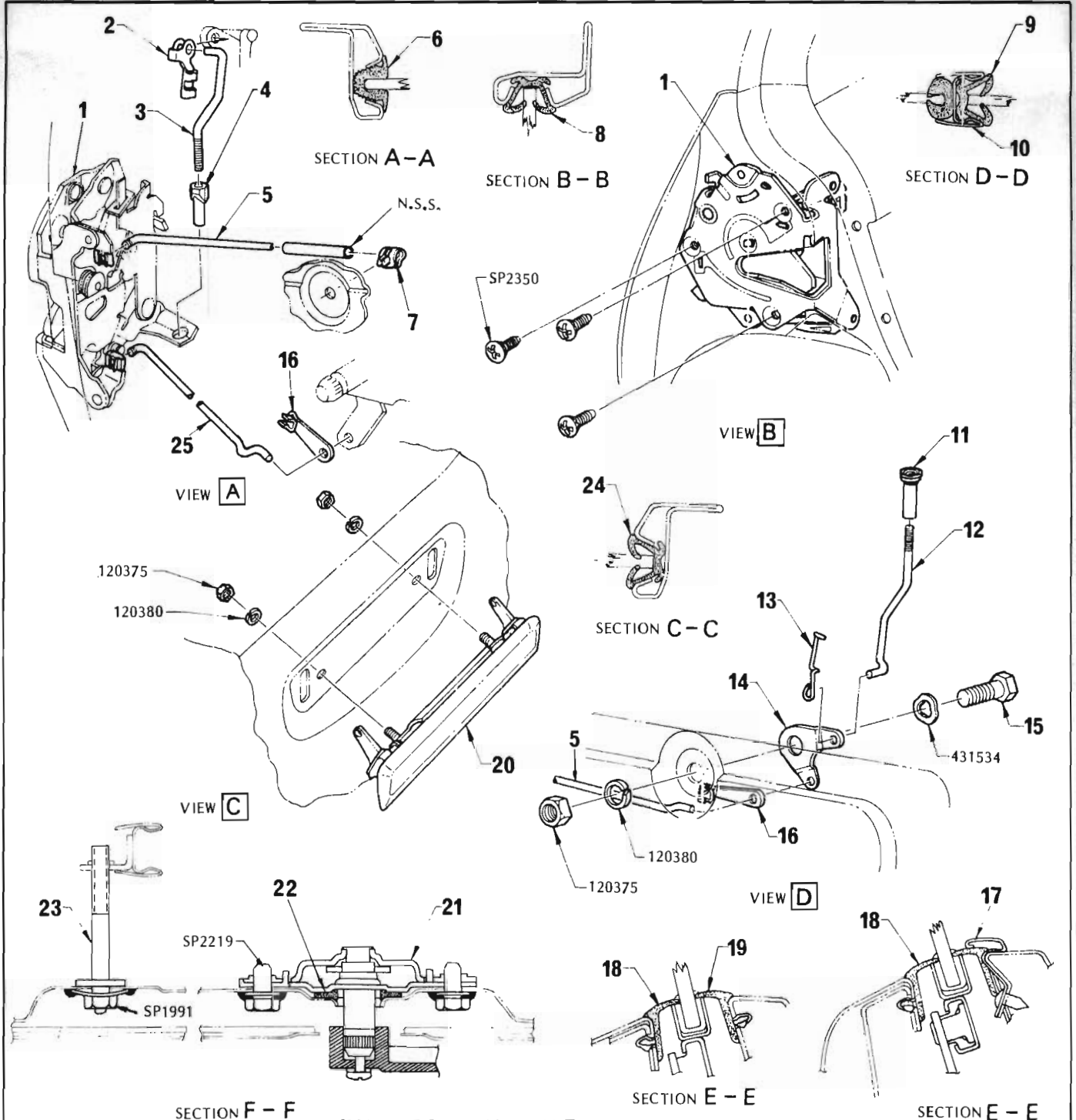
SECTIONS & VIEWS FROM ILLUSTRATION OPPOSITE

ILLUS. REF. NO.	PART NAME	GROUP	ILLUS. REF. NO.	PART NAME	GROUP
1.	ROD - Lock cylinder to lock	10.507	10.	CLIP - Locking rod to lever.....	10.563
2.	ROD - Front	10.563	11.	BOLT - Inside locking lever to door ...	10.556
3.	KNOB - Front rod	10.559	12.	LEVER - Door inside locking	10.556
4.	FERRULE - Front rod knob	10.559	13.	SILL - Connecting rod	N.S.S.
5.	ROD - Front handle to lock	10.529	14.	CLIP - Anti-rattle	10.556
6.	CLIP - Handle to lock connecting rod ...	10.529	15.	ROD - Remote control to lock	10.506
7.	NUT - Rod adjusting	10.529	16.	CLIP - Locking conn. rod to lever	10.556
8.	ROD - Locking lever to lock conn.	10.556	17.	LOCK ASSEMBLY	10.470
9.	CLIP - Locking conn. rod to lever	10.556			



REAR DOOR HARDWARE—69 BODY STYLE
Sections & Views on Illustration Opposite

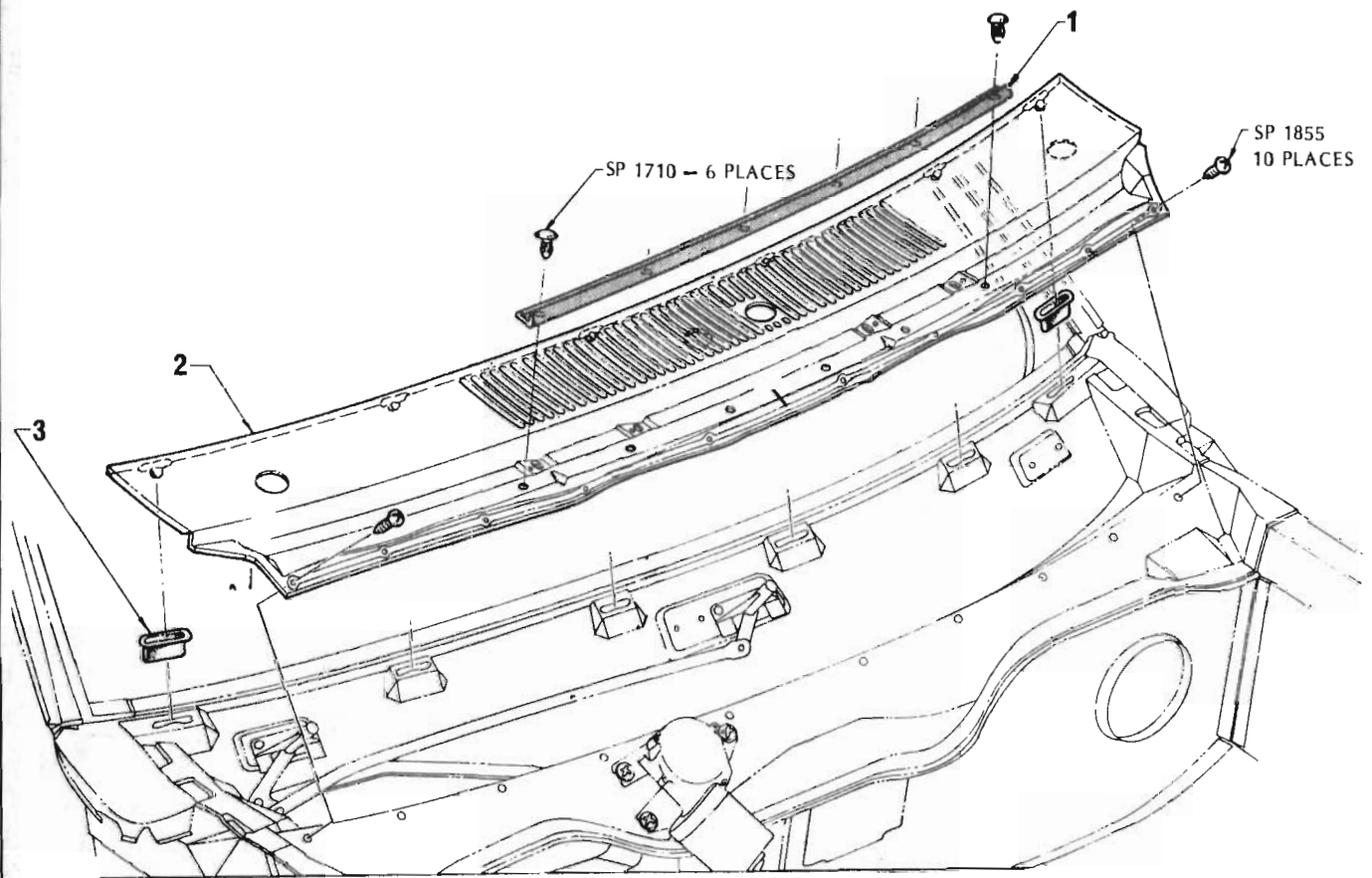
ILLUS. REF. NO.	PART NAME	GROUP	ILLUS. REF. NO.	PART NAME	GROUP
1.	HANDLE - Door outside	10.527	13.	PLATE - Remote control handle	10.515
2.	GLASS - Door front	10.741	14.	SPRING - Remote control handle	10.516
3.	ROD - Inside locking	10.556	15.	ROD - Connecting	10.506
4.	KNOB - Inside locking rod	10.559	16.	BUMPER - Door pillar	10.587
5.	ROD - Inside locking	10.563	17.	STRIKER - Door lock	10.569
6.	WASHER - Rubber	10.783	18.	SPACER - Door lock striker	10.571
7.	REGULATOR - Window	10.783	19.	LOCK & SEAL ASSY. - Door	10.473
8.	CONTROL - Lock remote	10.500	20.	CHANNEL - Glass division	10.829
9.	SPRING - Regulator handle	10.806	21.	GLASS - Door rear	10.827
10.	PLATE - Regulator handle	10.797		DOOR ASSY. - Less trim	10.373
11.	HANDLE - Window regulator	10.797	22.	{ PANEL ASSY.	12.913
12.	HANDLE - Door remote	10.512		{ PANEL - Outer	12.913



REAR DOOR HARDWARE
69 BODY STYLE

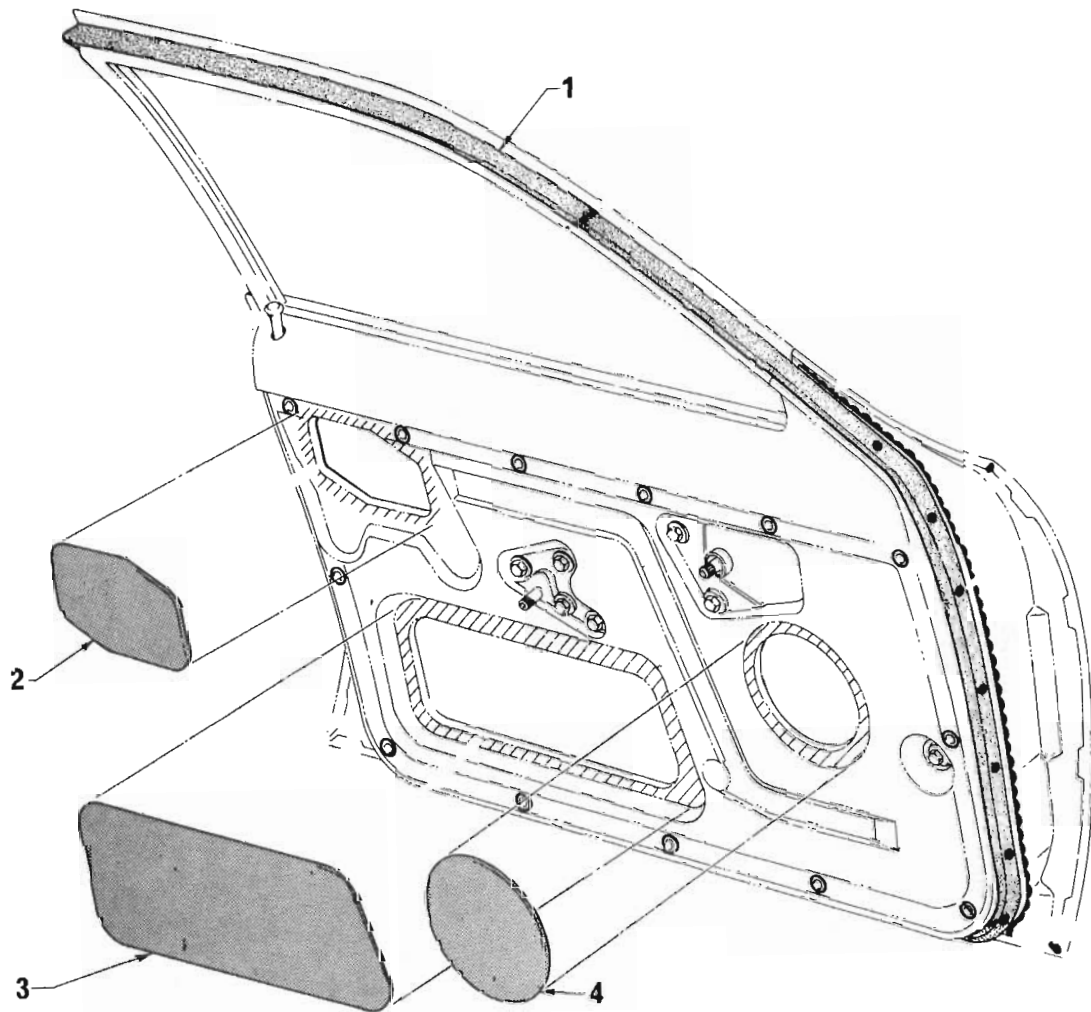
SECTIONS & VIEWS FROM ILLUSTRATION OPPOSITE

ILLUS. REF. NO.	PART NAME	GROUP	ILLUS. REF. NO.	PART NAME	GROUP
1.	LOCK & SEAL ASSY.	10.473	14.	LEVER - Inside locking	10.556
2.	CLIP - Handle to conn. rod	10.529	15.	BOLT - Locking lever	10.556
3.	ROD - Handle to lock conn.	10.529	16.	CLIP - Rod to lever	10.556
4.	NUT - Rod adjusting	10.529	17.	WEATHERSTRIP - Door outer	10.710
5.	ROD - Door inside locking	10.556	18.	WEATHERSTRIP - Door inner	10.710
6.	WEATHERSTRIP - Rear glass	10.822	19.	MOULDING & WEATHERSTRIP - Door belt	12.114
7.	CLIP - Anti-rattle	10.556	20.	HANDLE - Door outside	10.527
8.	CHANNEL - Glass run - upper	10.759	21.	CONTROL - Door lock remote	10.500
9.	CHANNEL - Glass run - rear	10.759	22.	GASKET - Remote control	10.516
10.	CHANNEL ASSY. - Glass division	10.829	23.	BOLT - Channel to door	10.829
11.	KNOB - Inside locking rod	10.559	24.	CHANNEL - Glass run - front	10.759
12.	ROD - Inside locking	10.563	25.	ROD - Connecting	10.506
13.	CLIP - Inside locking rod	10.563			



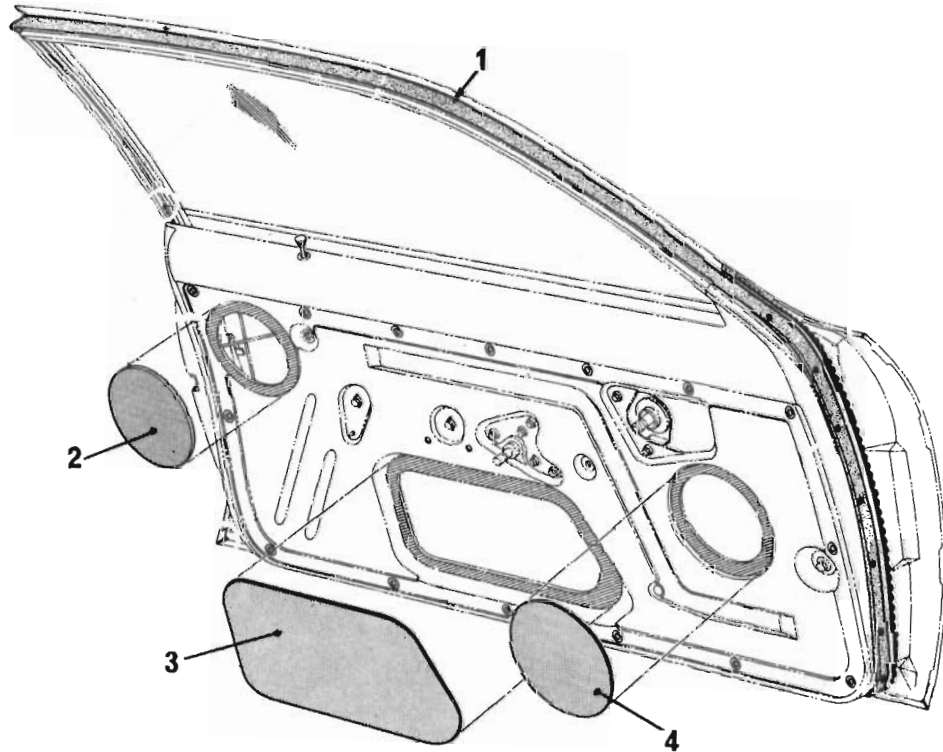
GRILLE AND LACING

ILLUS. REF. NO.	PART NAME	GROUP
1.	LACING - Hood ledge	9.127
2.	GRILLE - Shroud ventilator	10.307
3.	SEAL - Grille	10.307



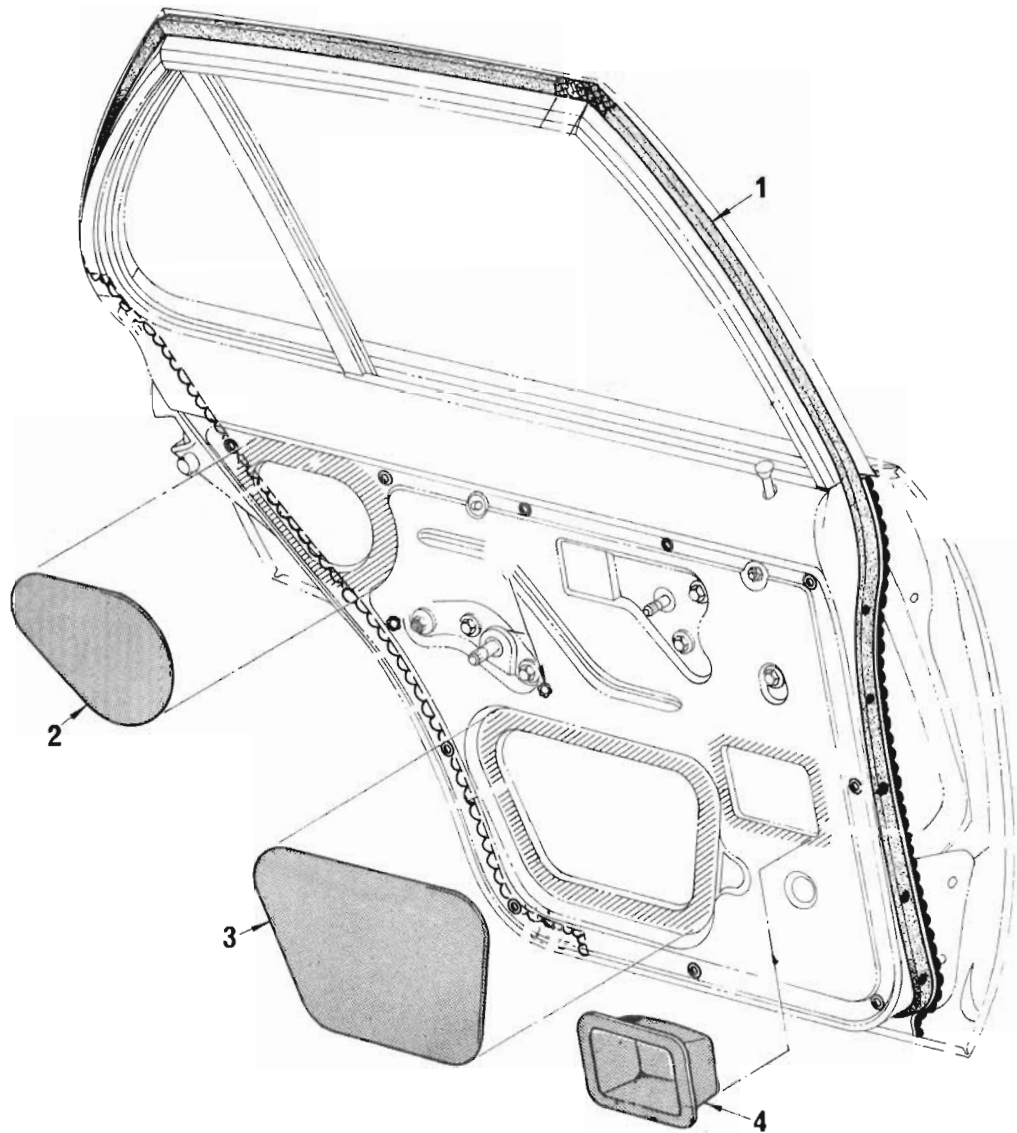
FRONT DOOR WEATHERSTRIP and SEALS
69 Body Styles

ILLUS. REF. NO.	PART NAME	GROUP
1.	WEATHERSTRIP - Door opening	10.694
2.	SEAL - Lock dust	10.470
3.	SEAL - 24" x 18"	14.694
4.	SEAL - Inner panel front	



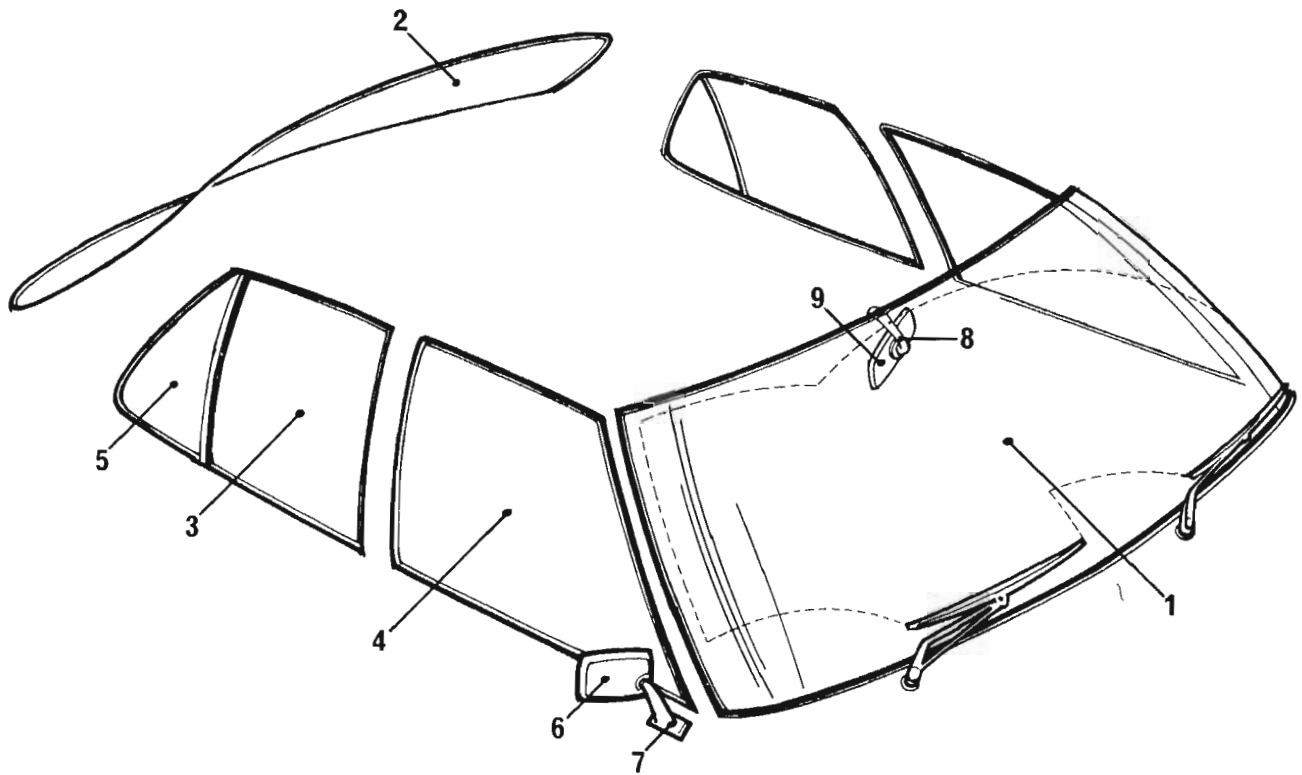
FRONT DOOR WEATHERSTRIP and SEALS
77 Body Styles

ILLUS. REF NO.	PART NAME	GROUP
1.	WEATHERSTRIP – Door opening	10.694
2.	SEAL – Lock dust	10.470
3.	SEAL – 24'' x 18''	14.694
4.	SEAL – Inner panel front	



REAR DOOR WEATHERSTRIP and SEALS
69 Body Styles

ILLUS. REF. NO.	PART NAME	GROUP
1.	WEATHERSTRIP — Door opening	10.694
2.	SEAL — Lock dust	10.473
3.	SEAL — 24" x 18"	14.768
4.	SEAL — Rear door ash tray	12.030



GLASS
69 Body Styles

ILLUS. REF. NO.	PART NAME	GROUP
1.	GLASS - Windshield	10.027
2.	GLASS - Rear window	11.204
3.	GLASS - Rear door	10.741
4.	GLASS - Front door	10.681
5.	GLASS - Rear door rear	10.827
6.	MIRROR - Rear vision, exterior	10.185
7.	SUPPORT - Rear vision mirror, exterior	10.187
8.	SUPPORT - Rear vision mirror, interior	10.187
9.	MIRROR - Rear vision, interior	10.185

TORANA "LX" PARTS CATALOGUE

GROUP	DESCRIPTION	SIDE	PART No.	QTY.	BODY STYLE	UG	UH	VB	VC	VD
10.001	BODY - Complete CURRENT PRODUCTION BODY ASSEMBLIES COMPLETE WITH TRIM WILL BE SUPPLIED ON A FIRM ORDER BASIS.									
10.002	BODY SHELL - Less doors & deck lid (in Prime)									
	BODY SHELL RIGHT HAND DRIVE		9940844	1	69	X	X	X	X	X
 LEFT HAND DRIVE		9940843	1	69	X	X	X	X	
	BODY SHELL RIGHT HAND DRIVE		9938710	1	77		X		X	X
 LEFT HAND DRIVE		9938709	1	77		X		X	
10.027	GLASS - Windshield									
	GLASS - Armour plate RIGHT HAND DRIVE		9928467	1	69, 77	X	X	X	X	X
 LEFT HAND DRIVE		9928487	1	69, 77	X	X	X	X	
	GLASS - Laminated		9928469	1	69, 77	X	X	X	X	X
	GLASS - Laminated, tinted		9928468	1	69, 77	X	X	X	X	X
10.092	CHANNEL - Windshield glass									
	CHANNEL		2825576	1	69, 77	X	X	X	X	X
10.093	INSERT, ESCUTCHEON - Windshield channel									
	INSERT - Upper		2825579	1	69, 77	X	X	X	X	X
	INSERT - Lower		2825581	1	69, 77	X	X	X	X	X
	INSERT - Side		2825580	2	69, 77	X	X	X	X	X
	ESCUTCHEON - Upper Corner		2825578	2	69, 77	X	X	X	X	X
	ESCUTCHEON - Lower Corner		2825577	2	69, 77	X	X	X	X	X
10.146	BLADE - Windshield wiper									
	BLADE ASSEMBLY		9929706	2	69, 77	X	X	X	X	
	BLADE ASSEMBLY RIGHT HAND DRIVE		9940476	2	69, 77					X
	VERTEBRA & RUBBER INSERT PACKAGE		M37682	1	69, 77	X	X	X	X	X
10.147	ARM - Windshield wiper									
	ARM ASSEMBLY RIGHT HAND DRIVE		2824470	2	69, 77	X	X	X	X	
	ARM ASSEMBLY RIGHT HAND DRIVE		9932869	2	69, 77					X
 LEFT HAND DRIVE		2825343	2	69, 77	X	X	X	X	
10.150	MOTOR - Windshield wiper									
	MOTOR ASSEMBLY (Preslite) RIGHT HAND DRIVE		2824467	1	69, 77	X	X	X	X	X
	MOTOR ASSEMBLY (Lucas) RIGHT HAND DRIVE		2824946	1	69, 77	X	X	X	X	X
 LEFT HAND DRIVE		2825410	1	69, 77	X	X	X	X	
	BOLT - Motor to dash panel		160556	3	69, 77	X	X	X	X	X
	WASHER Motor to dash panel		446188	3	69, 77	X	X	X	X	X
	ARMATURE ASSEMBLY (Preslite)		VS11305	1	69, 77	X	X	X	X	X
	BALL Armature thrust (Preslite)		VS10285	1	69, 77	X	X	X	X	X
	BOLT - Through (Preslite)		VS12388	2	69, 77	X	X	X	X	X
	CONE - Armature thrust (Preslite)		7421381	1	69, 77	X	X	X	X	X
	CRANK ASSEMBLY (Preslite)		VS12382	1	69, 77	X	X	X	X	X
	FINGER - Earth (Preslite)		VS11950	1	69, 77	X	X	X	X	X
	GASKET (Preslite)		VS12383	1	69, 77	X	X	X	X	X
	GEAR & SHAFT ASSEMBLY (Preslite)		VS12384	1	69, 77	X	X	X	X	X
	HOUSING - Armature (Preslite)		VS11955	1	69, 77	X	X	X	X	X
	HOUSING ASSEMBLY - Gear (Preslite)		VS12390	1	69, 77	X	X	X	X	X
	NUT Crank retaining (Preslite)		7429033	1	69, 77	X	X	X	X	X
	PAD - Armature thrust (Preslite)		VS10286	1	69, 77	X	X	X	X	X
	PLATE - Cover (Preslite)		VS12386	1	69, 77	X	X	X	X	X
	SCREW (Preslite)		VS10280	4	69, 77	X	X	X	X	X
	SCREW - Earth finger (Preslite)		VS11951	1	69, 77	X	X	X	X	X
	STRAP - Earth (Preslite)		VS12385	1	69, 77	X	X	X	X	X
	TERMINAL BLOCK ASSEMBLY (Preslite)		VS12389	1	69, 77	X	X	X	X	X
	WASHER Gear and shaft flat (Preslite)		7425272	2	69, 77	X	X	X	X	X
	WASHER Gear and shaft wave (Preslite)		7429031	1	69, 77	X	X	X	X	X
	ARMATURE ASSEMBLY (Lucas)		VS11849	1	69, 77	X	X	X	X	X
	BEARING Drive shaft (Lucas)		VS10560	1	69, 77	X	X	X	X	X
	BEARING SET Commutator end (Lucas)		VS10657	1	69, 77	X	X	X	X	X
	BEARING SET Yoke (Lucas)		VS11848	1	69, 77	X	X	X	X	X

TORANA "LX" PARTS CATALOGUE

GROUP	DESCRIPTION	SIDE	PART No.	QTY.	BODY STYLE	UG	UH	VB	VC	VD
10.150	MOTOR - Windshield wiper (contd.)									
	BOLT - Through(Lucas)		VS12251	2	69,77	X	X	X	X	X
	BRUSH GEAR(Lucas)		VS11843	1	69,77	X	X	X	X	X
	BRUSH SET(Lucas)		VS11844	1	69,77	X	X	X	X	X
	CONTACT - Earth(Lucas)		VS11859	1	69,77	X	X	X	X	X
	COVER - Gear box(Lucas)		VS12366	1	69,77	X	X	X	X	X
	GEAR & SHAFT ASSY. (Lucas) RIGHT HAND DRIVE		VS12368	1	69,77	X	X	X	X	X
 LEFT HAND DRIVE		VS12373	1	69,77	X	X	X	X	
	CRANK ASSEMBLY(Lucas)		VS12372	1	69,77	X	X	X	X	X
	SCREW - Cover attaching(Lucas)		VS10562	4	69,77	X	X	X	X	X
	SCREW - Thrust(Lucas)		VS11852	1	69,77	X	X	X	X	X
	SPRING SET - Brush(Lucas)		VS11845	1	69,77	X	X	X	X	X
	STRAP - Earth(Lucas)		VS12367	1	69,77	X	X	X	X	X
	TERMINAL - Switch (Lucas) RIGHT HAND DRIVE		VS11858	1	69,77	X	X	X	X	X
 LEFT HAND DRIVE		VS12392	1	69,77	X	X	X	X	
	YOKE ASSEMBLY(Lucas)		VS12365	1	69,77	X	X	X	X	X
10.152	SEAL - W/shield wiper motor mounting									
	SEAL		2824554	1	69,77	X	X	X	X	X
	GROMMET		7418908	3	69,77	X	X	X	X	X
10.153	PUMP, LEAD, VALVE - Windshield washer									
	PUMP ASSY		7434327	1	69,77	X	X	X	X	X
	LEAD ASSY		7437749	1	69,77	X	X	X	X	X
	BODY - Lead		2962964	1	69,77	X	X	X	X	X
	VALVE ASSY. - Non return		7434379	1	69,77	X	X	X	X	X
10.154	RESERVOIR - Windshield washer									
	RESERVOIR ASSY.		7434262	1	69,77	X	X	X	X	X
	SCREW - Reservoir to fender skirt		9414723	2	69,77	X	X	X	X	X
	WASHER - Reservoir to fender skirt, lock		SP2442	2	69,77	X	X	X	X	X
	WASHER - Reservoir to fender skirt, flat		446152	2	69,77	X	X	X	X	X
10.155	HOSE, TEE, CLIP - Windshield washer									
	HOSE - Reservoir to valve		9931727	1	69,77	X	X	X	X	X
	HOSE - Valve to tee RIGHT HAND DRIVE		9931728	1	69,77	X	X	X	X	X
 LEFT HAND DRIVE		7419195	1	69,77	X	X	X	X	
	HOSE - Tee to nozzle	LH	7447103	1	69,77	X	X	X	X	X
	RH	7426356	1	69,77	X	X	X	X	X
	TEE - Hose		7427756	1	69,77	X	X	X	X	X
	CLIP - Hose to dash panel		7413031	1	69,77	X	X	X	X	X
	CLIP - Hose to dash panel LEFT HAND DRIVE		7413370	3	69,77	X	X	X	X	
10.156	NOZZLE - Windshield washer									
	NOZZLE ASSY		2825078	2	69,77	X	X	X	X	X
	SCREW - Nozzle to grille panel		186509	2	69,77	X	X	X	X	X
10.159	LINK - Windshield wiper									
	LINK ASSY. - Drive RIGHT HAND DRIVE		2824471	1	69,77	X	X	X	X	X
 LEFT HAND DRIVE		2825341	1	69,77	X	X	X	X	
	LINK ASSY - Driven RIGHT HAND DRIVE		2824477	1	69,77	X	X	X	X	X
 LEFT HAND DRIVE		2825342	1	69,77	X	X	X	X	
	PIVOT & BRACKET ASSY. - Drive RIGHT HAND DRIVE		2824469	1	69,77	X	X	X	X	X
 LEFT HAND DRIVE		2825345	1	69,77	X	X	X	X	
	PIVOT & BRACKET ASSY. - Driven		2824584	1	69,77	X	X	X	X	X
	BOLT - Pivot to dash panel		160536	4	69,77	X	X	X	X	X
	WASHER - Pivot to dash panel, lock		120380	4	69,77	X	X	X	X	X
10.160	CLIP - Windshield wiper link retainer									
	CLIP - Drive link to pivot		SP2383	1	69,77	X	X	X	X	X
	CLIP - Drive link to wiper motor		SP1986	1	69,77	X	X	X	X	X
	CLIP - Driven link attaching		SP2383	2	69,77	X	X	X	X	X

TORANA "LX" PARTS CATALOGUE

GROUP	DESCRIPTION	SIDE	PART No.	QTY.	BODY STYLE	UG	UH	VB	VC	VD
10.163	SWITCH - W/shield wiper & washer									
	SWITCH ASSEMBLY		9933661	1	69, 77	X	X	X	X	X
	NUT - Switch attaching		9931712	1	69, 77	X	X	X	X	X
	WASHER - Switch attaching, int. tooth, lock		135629	1	69, 77	X	X	X	X	X
	KNOB - Switch		9931714	1	69, 77	X	X	X	X	X
10.185	MIRROR - Rear vision									
	MIRROR ASSEMBLY - Interior, plain		2816950	1	69, 77	X	X	X	X	
	MIRROR ASSEMBLY - Interior, anti-glare		2825223	1	69, 77	X	X	X	X	X
	BOLT - Mirror to support		SP2612	1	69, 77	X	X	X	X	X
	MIRROR ASSEMBLY - Exterior	RH	2817539	1	69	X	X	X	X	
	MIRROR ASSEMBLY - Exterior	RH	2817539	1	77		X		X	
	MIRROR PACKAGE - Exterior, sports	RH	9942966	1	69, 77					X
	MIRROR PACKAGE - Exterior, access	LH	9930749	1	69, 77	X	X	X	X	X
	MIRROR PACKAGE - Exterior LH, access		9930749	1	77		X		X	
	MIRROR PACKAGE - Remote control exterior	RH	9937565	1	69, 77	X	X	X	X	
10.187	SUPPORT - Rear vision mirror									
	SUPPORT ASSEMBLY - Interior		7434996	1	69, 77	X	X	X	X	X
	PLATE - Support mounting		7434998	1	69, 77	X	X	X	X	X
	SCREW - Support mounting plate to body		9421086	3	69, 77	X	X	X	X	X
	SUPPORT - Exterior	LH	2818021	1	69	X	X	X	X	
		RH	2818020	1	69	X	X	X	X	
	SUPPORT - Exterior	LH	2810821	1	77		X		X	
		RH	2810820	1	77		X		X	
	WASHER - Exterior mirror to support, lock		SP2485	1	69	X	X	X	X	
	WASHER - Exterior mirror to support, lock		SP2485	1	77		X		X	
	BRACKET - Exterior mirror mounting		2818022	2	69	X	X	X	X	
	BRACKET - Exterior mirror mounting		2818022	2	77		X		X	
	PAD - Exterior mirror mounting	LH	2825679	1	69	X	X	X	X	
		RH	2825680	1	69	X	X	X	X	
	PAD - Exterior mirror mounting	LH	2825679	1	77		X		X	
		RH	2825680	1	77		X		X	
	BOLT - Support to mounting bracket		SP2209	1	69	X	X	X	X	
	BOLT - Support to mounting bracket		SP2209	1	77		X		X	
	SCREW - Mounting bracket to door		SP2284	2	69	X	X	X	X	
	SCREW - Mounting bracket to door		SP2284	2	77		X		X	
NUT - Mounting twin		2820823	1	69	X	X	X	X		
NUT - Mounting twin		2820823	1	77		X		X		
10.203	SUN VISOR									
	SUN VISOR - Black	LH	⁽⁸⁵⁾ 2823213BA	1	69, 77	X	X	X	X	X
		RH	⁽⁸⁵⁾ 2823214BA	1	69, 77	X	X	X	X	X
	SUN VISOR - Black	LH	⁽⁸⁶⁾ 9941579CY	1	69		X			
		RH	⁽⁸⁶⁾ 9941578CY	1	69		X			
	SUN VISOR - Tan	LH	2823213DX	1	69, 77	X	X	X	X	X
		RH	2823214DX	1	69, 77	X	X	X	X	X
	SUN VISOR - Chamois	LH	2823213DV	1	69, 77	X	X	X	X	X
		RH	2823214DV	1	69, 77	X	X	X	X	X
	SUN VISOR - Sienna	LH	2823213EC	1	69, 77	X	X	X	X	X
		RH	2823214EC	1	69, 77	X	X	X	X	X
BOLT - Visor to support & pivot		SP2165	2	69, 77	X	X	X	X	X	
FERRULE - Visor		⁽⁸⁶⁾ 9940572	2	69		X				
10.219	SUPPORT - Sun visor									
	SUPPORT & PIVOT ASSEMBLY	LH	2814463	1	69, 77	X	X	X	X	X
		RH	2814462	1	69, 77	X	X	X	X	X
	SCREW - Support & pivot to body		9421086	6	69, 77	X	X	X	X	X
10.222	MIRROR PACKAGE - Instrument panel compartment vanity									
	MIRROR PACKAGE		2823599	1	69, 77	X	X	X	X	X
	SCREW - Mirror to instrument panel		SP1896	2	69, 77	X	X	X	X	X

Note: ⁽⁸⁵⁾ Except Export Luxury Trim and Interior Equipment.
⁽⁸⁶⁾ Export Luxury Trim & Interior Equipment.

TORANA "LX" PARTS CATALOGUE

GROUP	DESCRIPTION	SIDE	PART No.	QTY.	BODY STYLE	UG	UH	VB	VC	VD
10.230	PANEL - Instrument									
	PANEL ASSEMBLY RIGHT HAND DRIVE		2823445	1	69,77	X	X	X	X	X
 LEFT HAND DRIVE		2823447	1	69,77	X	X	X	X	
10.230	INSTRUMENT PANEL - Taxi equipment									
	INSTALLATION PACKAGE		9941107	1	69	X		X		
	PANEL - Equipment mounting		9941101	1	69	X		X		
	SCREW - Equipment panel to floor pan		179377	1	69	X		X		
	BRACKET - Equipment mounting		9941102	1	69	X		X		
	BOLT - Bracket to mounting panel		159920	2	69	X		X		
	WASHER - Bracket to mounting panel		120217	2	69	X		X		
	NUT - Bracket to mounting panel		120361	2	69	X		X		
	BOLT - Bracket to instrument panel		159920	2	69	X		X		
	WASHER - Bracket to instrument panel		120217	2	69	X		X		
	NUT - Bracket to instrument panel		120361	2	69	X		X		
	BRACKET - Meter support	LH	9941099	1	69	X		X		
		RH	9941100	1	69	X		X		
	SCREW - Meter bracket to instrument panel		9414713	4	69	X		X		
NUT - Meter bracket to instrument panel		SP1733	4	69	X		X			
10.260	COMPARTMENT - Instrument panel									
	COMPARTMENT ASSEMBLY RIGHT HAND DRIVE		9942938	1	69,77	X	X	X	X	X
 LEFT HAND DRIVE		9942939	1	69,77	X	X	X	X	
	FASTENER		SP1710	2	69,77	X	X	X	X	X
	SCREW		SP2111	2	69,77	X	X	X	X	X
NUT		4558184	2	69,77	X	X	X	X	X	
10.261	LID - Instrument panel compartment									
	LID ASSEMBLY		2829877	1	69,77	X		X		
	LID ASSEMBLY		9941397	1	69,77		X		X	
LID ASSEMBLY		9935979	1	69,77					X	
10.262	HINGE - Instrument panel comp. lid									
	HINGE ASSEMBLY RIGHT HAND DRIVE		9932934	2	69,77	X	X	X	X	X
 LEFT HAND DRIVE		9932935	2	69,77	X	X	X	X	
	RIVET - Hinge		9932933	2	69,77	X	X	X	X	X
	SCREW - Hinge to instrument panel		9414723	4	69,77	X	X	X	X	X
	WASHER - Hinge to instrument panel		120391	4	69,77	X	X	X	X	X
	NUT - Hinge to instrument panel		SP1750	4	69,77	X	X	X	X	X
	BOLT - Door to hinge		159920	4	69,77	X	X	X	X	X
	WASHER - Door to hinge		120391	4	69,77	X	X	X	X	X
	NUT - Door to hinge		120361	4	69,77	X	X	X	X	X
10.263	BUMPER - Instrument panel compartment lid									
	BUMPER		7418993	2	69,77	X	X	X	X	X
BUMPER - Hinge		7402561	2	69,77	X	X	X	X	X	
10.266	LOCK - Instrument panel comp. lid									
	LOCK ASSEMBLY - Coded with keys		8786143	1	69,77	X	X	X	X	X
	LOCK ASSEMBLY - Uncoded		9832569	1	69,77	X	X	X	X	X
	CASE ASSEMBLY		3934137	1	69,77	X	X	X	X	X
	ESCUTCHEON - Lock case		3922831	1	69,77	X	X	X	X	X
10.268	STRIKER - Instrument panel comp. lid lock									
	STRIKER		2818408	1	69,77	X	X	X	X	X
	SCREW - Striker to instrument panel		SP2430	2	69,77	X	X	X	X	X
WASHER - Striker to instrument panel		SP2553	2	69,77	X	X	X	X	X	
10.270	LAMP PACKAGE - Instrument panel compartment									
	LAMP PACKAGE - Accessory RIGHT HAND DRIVE		9940975	1	69	X		X		
	LEAD ASSY. - Lamp RIGHT HAND DRIVE		9940973	1	69,77	X	X	X	X	X
 LEFT HAND DRIVE		9940974	1	69,77		X		X	
	SOCKET - Bulb holder		9936420	1	69,77	X	X	X	X	X
	SPRING - Lead		2962243	1	69,77	X	X	X	X	X
	BODY - Switch		2807323	1	69,77	X	X	X	X	X
	SPRING - Switch		2807324	1	69,77	X	X	X	X	X

TORANA "LX" PARTS CATALOGUE

GROUP	DESCRIPTION	SIDE	PART No.	QTY.	BODY STYLE	UG	UH	VB	VC	VD	
10.270	LAMP PACKAGE - Instrument panel compartment (contd.)										
	PLUNGER - Switch		2807325	1	69,77	X	X	X	X	X	
	BULB - 12 - 16V, 6W		SP1467	1	69,77	X	X	X	X	X	
	NUT - Lamp lead assy.		SP2521	2	69,77	X	X	X	X	X	
10.307	GRILLE - Shroud ventilator										
	GRILLE	RIGHT HAND DRIVE	2824092	1	69,77	X	X	X	X	X	
		LEFT HAND DRIVE	2824091	1	69,77	X	X	X	X	X	
	SEAL - Grille		2823932	6	69,77	X	X	X	X	X	
	SCREW - Grille to shroud		SP1855	10	69,77	X	X	X	X	X	
10.351	DOOR - Front, less trim										
	DOOR ASSEMBLY	LH	9931089	1	69	X	X	X	X	X	
		RH	9931088	1	69	X	X	X	X	X	
	DOOR ASSEMBLY	LH	9938711	1	77		X		X	X	
		RH	9938712	1	77		X		X	X	
10.373	DOOR - Rear, less trim										
	DOOR ASSEMBLY	LH	9931091	1	69	X	X	X	X	X	
		RH	9931090	1	69	X	X	X	X	X	
10.450	HINGE - Front door upper										
	HINGE ASSY.	LH	2824461	1	69,77	X	X	X	X	X	
		RH	2824462	1	69,77	X	X	X	X	X	
	BOLT & WASHER ASSY		SP2115	14	69,77	X	X	X	X	X	
10.454	HINGE - Front door lower										
	HINGE ASSEMBLY	LH	2824459	1	69,77	X	X	X	X	X	
		RH	2824460	1	69,77	X	X	X	X	X	
	BOLT & WASHER ASSY		SP2115	14	69,77	X	X	X	X	X	
10.456	HINGE - Rear door upper										
	HINGE ASSEMBLY	LH	2824223	1	69	X	X	X	X	X	
		RH	2824222	1	69	X	X	X	X	X	
	BOLT & WASHER ASSY		SP2115	12	69	X	X	X	X	X	
10.460	HINGE - Rear door lower										
	HINGE ASSEMBLY	LH	2824377	1	69	X	X	X	X	X	
		RH	2824378	1	69	X	X	X	X	X	
	BOLT & WASHER ASSY		SP2115	12	69	X	X	X	X	X	
10.466	PIN, BUSHING, ROLLER, LEVER, SPRING - Door hinge										
	PIN - Front door		2824456	4	69,77	X	X	X	X	X	
	BUSHING - Front door		4150462	8	69,77	X	X	X	X	X	
	ROLLER - Front door detent		9704188	2	69,77	X	X	X	X	X	
	PIN - Detent roller		2824444	2	69,77	X	X	X	X	X	
	LEVER - Front door detent	LH	2824285	1	69,77	X	X	X	X	X	
		RH	2824284	1	69,77	X	X	X	X	X	
	RIVET - Front door detent lever		4309534	2	69,77	X	X	X	X	X	
	SPRING - Front door detent lever		2824457	2	69,77	X	X	X	X	X	
	PIN - Rear door upper		2819165	2	69	X	X	X	X	X	
	PIN - Rear door lower		2819164	2	69	X	X	X	X	X	
	BUSHING - Rear door		4150462	8	69	X	X	X	X	X	
	ROLLER - Rear door detent		9704188	2	69	X	X	X	X	X	
	PIN - Rear door detent		9704187	2	69	X	X	X	X	X	
	LINK - Rear door detent		9704186	2	69	X	X	X	X	X	
	RIVET - Rear door detent link		2811601	2	69	X	X	X	X	X	
	SPRING - Rear door detent		7432336	2	69	X	X	X	X	X	
PIN - Rear door stop		2811212	2	69	X	X	X	X	X		
10.470	LOCK - Front door										
	LOCK & SEAL ASSEMBLY	LH	9929617	1	69	X	X	X	X	X	
		RH	9929618	1	69	X	X	X	X	X	
	LOCK & SEAL ASSEMBLY	LH	9929623	1	77		X		X	X	
		RH	9929624	1	77		X		X	X	

TORANA "LX" PARTS CATALOGUE

GROUP	DESCRIPTION	SIDE	PART No.	QTY.	BODY STYLE	UG	UH	VB	VC	VD
10.470	LOCK - Front door (contd.)									
	BOLT & WASHER - Lock to door		SP2350	6	69, 77	X	X	X	X	X
	SEAL - Dust	LH	9929619	1	69, 77	X	X	X	X	X
		RH	9929620	1	69, 77	X	X	X	X	X
10.473	LOCK - Rear door									
	LOCK & SEAL ASSEMBLY	LH	9929621	1	69	X	X	X	X	X
		RH	9929622	1	69	X	X	X	X	X
	BOLT & WASHER - Lock to door		SP2350	6	69	X	X	X	X	X
	SEAL - Dust	LH	9929619	1	69	X	X	X	X	X
		RH	9929620	1	69	X	X	X	X	X
10.475	SPRING - Door lock									
	SPRING - Front door lock overcentre	LH	2813023	1	69, 77	X	X	X	X	X
		RH	2813022	1	69, 77	X	X	X	X	X
	SPRING - Front door actuating lever return	LH	2813029	1	69, 77	X	X	X	X	X
		RH	2813028	1	69, 77	X	X	X	X	X
	SPRING - Rear door lock overcentre	LH	2813023	1	69	X	X	X	X	X
		RH	2813022	1	69	X	X	X	X	X
	SPRING - Rear door actuating lever return	LH	2813029	1	69	X	X	X	X	X
		RH	2813028	1	69	X	X	X	X	X
10.500	CONTROL - Door lock remote									
	CONTROL ASSEMBLY - Front door	LH	2815487	1	69, 77	X	X	X	X	X
		RH	2815486	1	69, 77	X	X	X	X	X
	BOLT & LOCKWASHER - Control to door		SP2219	6	69, 77	X	X	X	X	X
	CONTROL ASSEMBLY - Rear door	LH	2815487	1	69	X	X	X	X	X
		RH	2815486	1	69	X	X	X	X	X
			SP2219	6	69	X	X	X	X	X
10.506	ROD - Door lock remote control									
	ROD - Front door connecting		2824984	2	69	X	X	X	X	X
	ROD - Front door connecting		9929173	2	77		X		X	X
	ROD - Rear door connecting		2824380	2	69	X	X	X	X	X
	CLIP - Front door rod retaining		4576655	2	69, 77	X	X	X	X	X
	CLIP - Rear door rod retaining		4576655	2	69	X	X	X	X	X
	CLIP - Front door rod retainer, lock end		2811401	2	69, 77	X	X	X	X	X
	CLIP - Rear door rod retainer, lock end		2811401	2	69	X	X	X	X	X
10.507	ROD - Front door lock to lock cylinder connector									
	ROD		2824116	2	69, 77	X	X	X	X	X
	CLIP - Rod to lock cylinder		2811401	2	69, 77	X	X	X	X	X
	CLIP - Connector rod retainer		2811401	2	69, 77	X	X	X	X	X
10.512	HANDLE - Door remote									
	HANDLE ASSEMBLY - Front door	LH	2824939	1	69, 77	X	X	X	X	X
		RH	2824940	1	69, 77	X	X	X	X	X
	BOLT - Handle to remote control		SP2660	2	69, 77	X	X	X	X	X
	WASHER - Handle to remote control, lock		120217	2	69, 77	X	X	X	X	X
	HANDLE ASSEMBLY - Rear door	LH	2824939	1	69		X		X	X
		RH	2824940	1	69		X		X	X
	HANDLE ASSEMBLY - Rear door (without arm rests)		7435242	2	69	X		X		X
	HANDLE ASSEMBLY - Rear door (with arm rests)	LH	2824939	1	69			X		X
		RH	2824940	1	69			X		X
	BOLT - Handle to remote control		SP2660	2	69		X	X	X	X
WASHER - Handle to remote control, lock		120217	2	69		X	X	X	X	
10.513	SPRING - Door handle									
	SPRING - Rear door handle retainer		4168122	2	69	X		X		
10.515	PLATE - Inside door handle bearing									
	PLATE - Rear door		7731353	2	69	X		X		
10.516	GASKET - Door remote control									
	GASKET		2815681	4-2	69, 77	X	X	X	X	X

TORANA "LX" PARTS CATALOGUE

GROUP	DESCRIPTION	SIDE	PART No.	QTY.	BODY STYLE	UG	UH	VB	VC	VD	
10.527	HANDLE - Door outside										
	HANDLE		2814620	4-2	69,77	X	X	X	X	X	
	WASHER - Handle to door, lock		120380	8-4	69,77	X	X	X	X	X	
	NUT - Handle to door		120375	8-4	69,77	X	X	X	X	X	
10.529	ROD, CLIP - Door outside handle										
	ROD - Front Handle to Lock Connector		2824466	2	69,77	X	X	X	X	X	
	ROD - Rear Handle to Lock Connector		2824626	2	69	X	X	X	X	X	
	CLIP - Handle to Lock Connector Rod	LH	2806911	2-1	69,77	X	X	X	X	X	
		RH	2806912	2-1	69,77	X	X	X	X	X	
	NUT - Rod Adjusting		2806603	4-2	69,77	X	X	X	X	X	
10.550	BARREL - Door locking										
	BARREL ASSY. - With Keys	LH	2824627	1	69,77	X	X	X	X	X	
		RH	2824628	1	69,77	X	X	X	X	X	
	SERVICE PACKAGE - Uncoded		M37403	2	69,77	X	X	X	X	X	
	GASKET - Door Lock Cylinder		4587931	2	69,77	X	X	X	X	X	
	PAWL		2824550	2	69,77	X	X	X	X	X	
	CLIP - Pawl Retaining		7006092	2	69,77	X	X	X	X	X	
	TUMBLER - No. 1 (Package of 100)		3901061	AR	69,77	X	X	X	X	X	
	TUMBLER - No. 2 (Package of 100)		3901062	AR	69,77	X	X	X	X	X	
	TUMBLER - No. 3 (Package of 100)		3901063	AR	69,77	X	X	X	X	X	
	TUMBLER - No. 4 (Package of 100)		3901064	AR	69,77	X	X	X	X	X	
TUMBLER - No. 5 (Package of 100)		3901065	AR	69,77	X	X	X	X	X		
10.553	RETAINER - Door locking barrel										
	RETAINER		4884405	2	69,77	X	X	X	X	X	
10.556	LEVER, ROD - Door inside locking										
	ROD		2816984	2	77		X		X	X	
	CLIP - Anti-Rattle (Centre)		9941224	2	77		X		X	X	
	CLIP - Rod to lever		4576655	2	77		X		X	X	
	LEVER		7403873	2	77		X		X	X	
	BOLT - Locking lever		7419196	2	77		X		X	X	
	WASHER - Locking lever to door, wave		431534	2	77		X		X	X	
	WASHER - Locking lever to door, lock		120380	2	77		X		X	X	
	NUT - Locking lever to door		120375	2	77		X		X	X	
	ROD - Rear door		2824730	2	69	X	X	X	X	X	
	CLIP - Anti-Rattle (Centre)		9941224	2	69	X	X	X	X	X	
	CLIP - Rod to Lever		4576655	2	69	X	X	X	X	X	
	LEVER		7403873	2	69	X	X	X	X	X	
	BOLT - Locking Lever		7419196	2	69	X	X	X	X	X	
	WASHER - Locking lever to door, wave		431534	2	69	X	X	X	X	X	
	WASHER - Locking lever to door, lock		120380	2	69	X	X	X	X	X	
	NUT - Locking lever to door		120375	2	69	X	X	X	X	X	
	CLIP - Rod to Lock		2811401	2	69	X	X	X	X	X	
	10.559	KNOB - Door inside locking rod									
		KNOB - Front		7434562	2	69,77	X	X	X	X	X
KNOB - Rear			7434562	2	69	X	X	X	X	X	
FERRULE - Door locking knob			4839529	4-2	69,77	X	X	X	X	X	
10.563	ROD - Door inside locking										
	ROD - Front door		2824472	2	69	X	X	X	X	X	
	ROD - Front door		2816798	2	77		X		X	X	
	CLIP - Rod retaining		2811401	2	69,77	X	X	X	X	X	
	CLIP - Rod to lever		2825090	2	77		X		X	X	
	ROD - Rear door		2823769	2	69	X	X	X	X	X	
	CLIP - Rod to lever		2825090	2	69	X	X	X	X	X	
10.569	STRIKER - Door lock										
	STRIKER ASSY.		2665962	4-2	69,77	X	X	X	X	X	

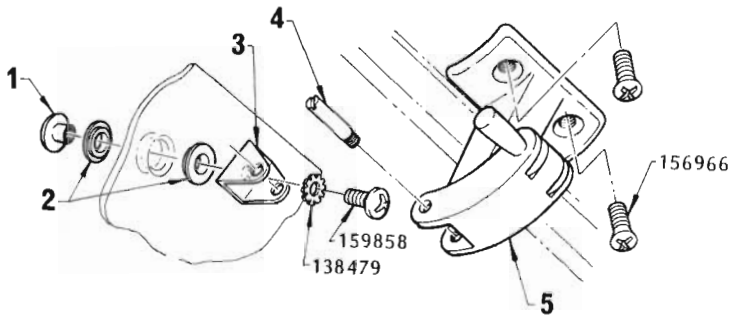
TORANA "LX" PARTS CATALOGUE

GROUP	DESCRIPTION	SIDE	PART No.	QTY.	BODY STYLE	UG	UH	VB	VC	VD
10.571	PLATE, SPACER - Door lock striker									
	PLATE - Anchor		4465224	4-2	69, 77	X	X	X	X	X
	RETAINER - Plate Front Door		2811165	2	69	X	X	X	X	X
	SPACER - 1/8" thick		4469196	A.R.	69, 77	X	X	X	X	X
	SPACER - 5/32" thick		4469197	A.R.	69, 77	X	X	X	X	X
10.587	BUMPER - Door pillar									
	BUMPER		2809447	4-2	69, 77	X	X	X	X	X
10.681	GLASS - Front door									
	GLASS	LH	2823997	1	69	X	X	X	X	X
		RH	2823996	1	69	X	X	X	X	X
	GLASS	LH	2824733	1	77		X		X	X
		RH	2824734	1	77		X		X	X
10.685	CHANNEL - Front door glass lifter									
	CHANNEL ASSY.	LH	2824679	1	69	X	X	X	X	X
		RH	2824678	1	69	X	X	X	X	X
	CHANNEL ASSY.	LH	2824673	1	77		X		X	X
		RH	2824674	1	77		X		X	X
10.694	WEATHERSTRIP - Door Opening									
	WEATHERSTRIP - Front		2825377	2	69	X	X	X	X	X
	WEATHERSTRIP - Front door	LH	9931567	1	77		X		X	X
		RH	9931568	1	77		X		X	X
	WEATHERSTRIP - Rear	LH	2825229	1	69	X	X	X	X	X
		RH	2825228	1	69	X	X	X	X	X
10.695	PLUG - Door weatherstrip									
	PLUG - Weatherstrip attaching sealing, front door		4770719	38-44	69, 77	X	X	X	X	X
	PLUG - Weatherstrip attaching sealing, rear door		4770719	32	69	X	X	X	X	X
10.696	WEATHERSTRIP - Door glass channel lifter									
	WEATHERSTRIP - Front		2823979	2	69	X	X	X	X	X
	WEATHERSTRIP - Front door		2824683	2	77		X		X	X
	WEATHERSTRIP - Rear		2823980	2	69	X	X	X	X	X
10.701	CHANNEL, RETAINER - Front door glass run									
	CHANNEL - Front		2824482	2	69	X	X	X	X	X
	CHANNEL - Front		9929137	2	77		X		X	X
	RETAINER - Front channel	LH	2824603	1	69, 77	X	X	X	X	X
		RH	2824604	1	69, 77	X	X	X	X	X
	SCREW - Front retainer to door		SP2427	2-4	69, 77	X	X	X	X	X
	BOLT & LOCKWASHER - Front retainer to door		SP2219	2	69, 77	X	X	X	X	X
	WASHER - Front retainer to door, flat		120392	2	69, 77	X	X	X	X	X
	CHANNEL - Rear		2824483	2	69, 77	X	X	X	X	X
	RETAINER - Rear channel	LH	2823827	1	69	X	X	X	X	X
		RH	2823826	1	69	X	X	X	X	X
	BOLT - Rear retainer to door		SP2660	4	69	X	X	X	X	X
	WASHER - Rear retainer to door, lock		SP2442	4	69	X	X	X	X	X
	WASHER - Rear retainer to door, flat		SP2122	4	69	X	X	X	X	X
	RETAINER - Rear channel	LH	2824789	1	77		X		X	X
		RH	2824788	1	77		X		X	X
	BOLT & LOCKWASHER - Rear retainer to door		SP2047	4	77		X		X	X
	WASHER - Rear retainer to door, flat		120392	4	77		X		X	X
	FILLER - Front door glass run channel		9938783	2	69, 77	X	X	X	X	X
10.710	WEATHERSTRIP - Door belt									
	WEATHERSTRIP - Front door		2825041	4	69	X	X	X	X	X
	WEATHERSTRIP - Front door		9930148	4	77		X		X	X
	WEATHERSTRIP - Rear door	LH	2825233	2	69	X	X	X	X	X
		RH	2825232	2	69	X	X	X	X	X
10.741	GLASS - Rear door									
	GLASS	LH	2823903	1	69	X	X	X	X	X
		RH	2823904	1	69	X	X	X	X	X

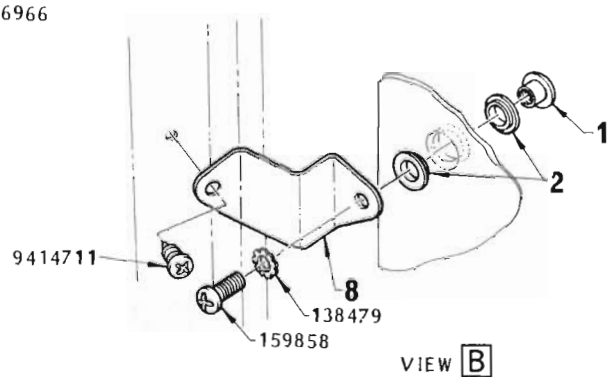
TORANA "LX" PARTS CATALOGUE

GROUP	DESCRIPTION	SIDE	PART No.	QTY.	BODY STYLE	UG	UH	VB	VC	VD	
10.747	CHANNEL - Rear door glass lifter CHANNEL ASSEMBLY	LH	2824681	1	69	X	X	X	X	X	
		RH	2824682	1	69	X	X	X	X	X	
10.759	CHANNEL - Rear door glass run CHANNEL - Front		2824480	2	69	X	X	X	X	X	
			2829899	2	69	X	X	X	X	X	
			2824481	2	69	X	X	X	X	X	
10.783	REGULATOR - Front door window REGULATOR ASSEMBLY	LH	2824761	1	69,77	X	X	X	X	X	
		RH	2824760	1	69,77	X	X	X	X	X	
			SP2219	8	69,77	X	X	X	X	X	
			4158245	4	69,77	X	X	X	X	X	
			4158246	4	69,77	X	X	X	X	X	
			4157887	2	69,77	X	X	X	X	X	
			4171918	2	69,77	X	X	X	X	X	
			7413223	2	69,77	X	X	X	X	X	
			7436043	2	69,77	X	X	X	X	X	
			SP2219	4	69,77	X	X	X	X	X	
			7429571	4	69,77	X	X	X	X	X	
			9419938	4	69,77	X	X	X	X	X	
10.791	REGULATOR - Rear door window REGULATOR ASSEMBLY	LH	2824889	1	69	X	X	X	X	X	
		RH	2824888	1	69	X	X	X	X	X	
			SP2219	6	69	X	X	X	X	X	
			4158245	2	69	X	X	X	X	X	
			4158246	2	69	X	X	X	X	X	
			4157887	2	69	X	X	X	X	X	
			4171918	2	69	X	X	X	X	X	
			7413223	2	69	X	X	X	X	X	
10.797	HANDLE - Door window regulator HANDLE ASSEMBLY		7435027	4-2	69,77	X	X	X	X	X	
			4168122	4-2	69,77	X	X	X	X	X	
			7731353	4-2	69,77	X	X	X	X	X	
10.806	SPRING - Window regulator handle escutcheon SPRING		4566746	4-2	69,77	X	X	X	X	X	
10.822	WEATHERSTRIP - Rear door rear glass WEATHERSTRIP		2825034	2	69	X	X	X	X	X	
10.827	GLASS - Rear door rear GLASS	LH	2824919	1	69	X	X	X	X	X	
		RH	2824918	1	69	X	X	X	X	X	
10.829	CHANNEL - Rear door glass division CHANNEL ASSEMBLY	LH	2823975	1	69	X	X	X	X	X	
		RH	2823974	1	69	X	X	X	X	X	
			7437863	2	69	X	X	X	X	X	
			SP1991	2	69	X	X	X	X	X	
			SP2427	2	69	X	X	X	X	X	

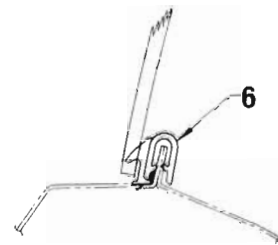
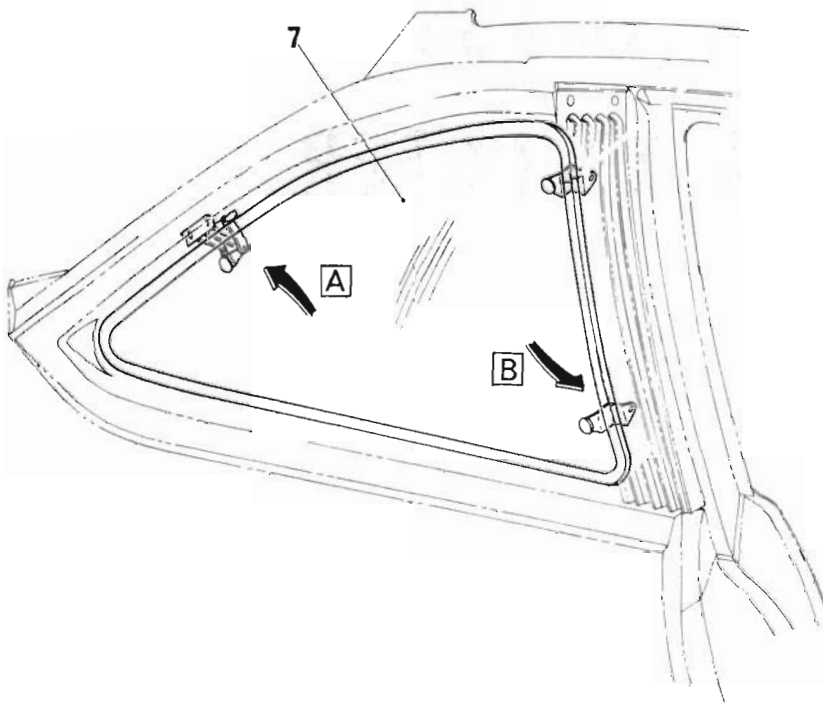
GROUP 11.000
REAR GLASS
SEAT & ADJUSTER



VIEW A



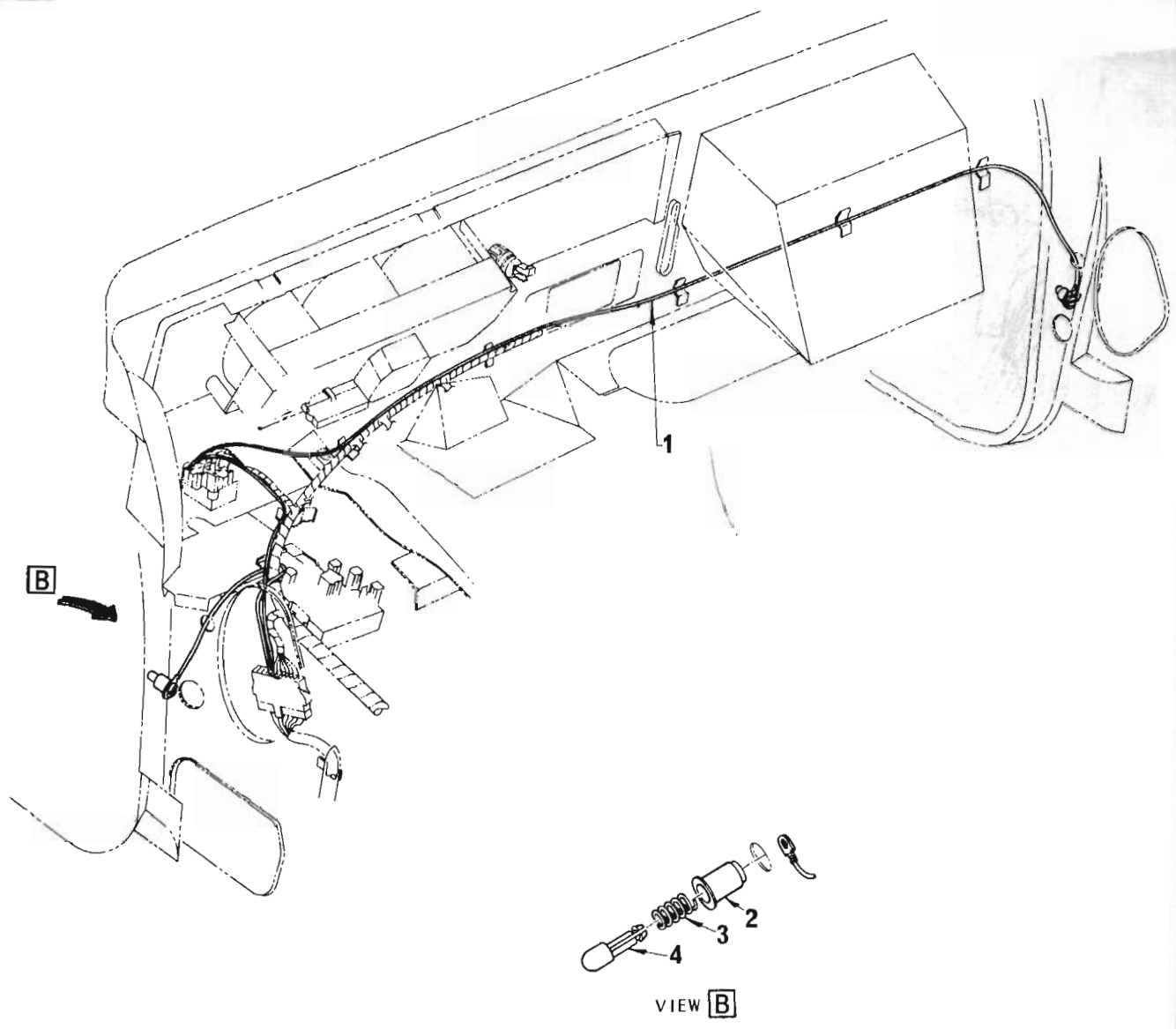
VIEW B



SECTION A-A

QUARTER WINDOW
77 Body Styles

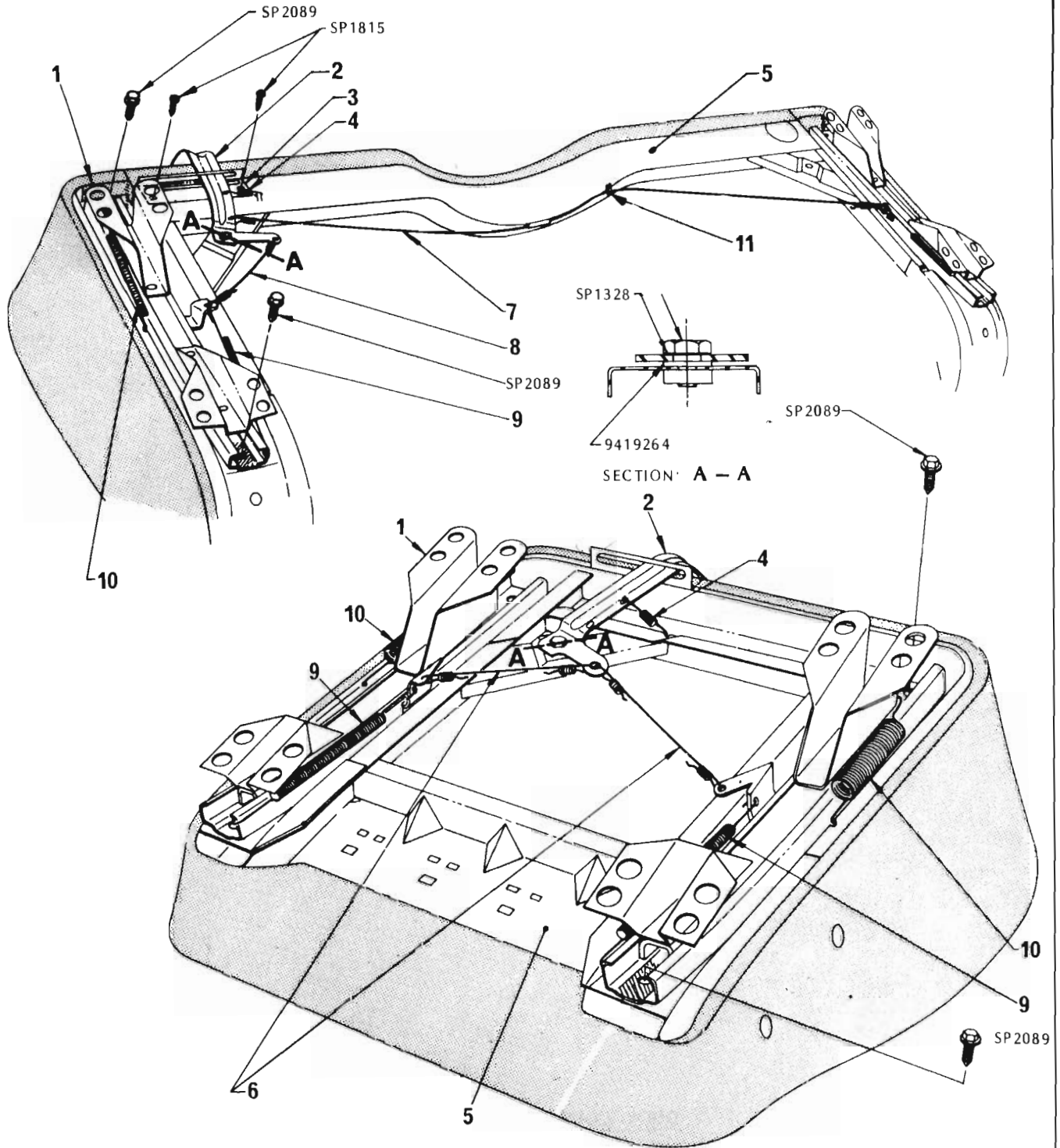
ILLUS. REF. NO.	PART NAME	GROUP
1.	NUT - Hinge bracket to glass	11.0 10
2.	GROMMET - Link bracket to glass	11.0 10
3.	BRACKET - Vent link	11.0 10
4.	PIN - Fastener to window glass	11.0 10
5.	FASTENER - Vent	11.0 10
6.	WEATHERSTRIP	11.0 15
7.	GLASS - Quarter window	11.0 11
8.	BRACKET - Hinge	11.0 10



DOOR COURTESY LIGHT SWITCHES

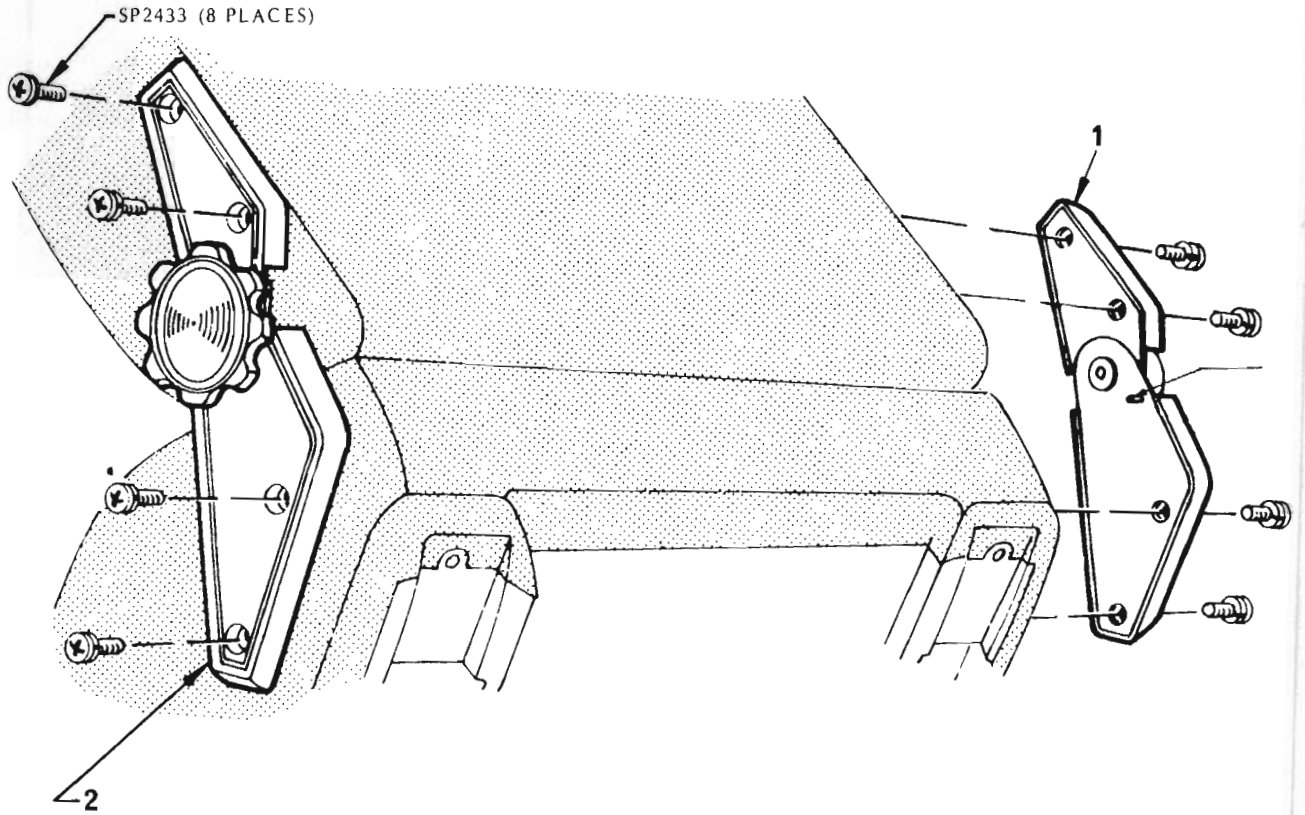
ILLUS. REF. NO.	PART NAME	GROUP
1.	LEAD ASSY.	11.950
2.	BODY - Switch	11.950
3.	SPRING - Switch	11.950
4.	PLUNGER - Switch	11.950

TORANA "LX" PARTS CATALOGUE



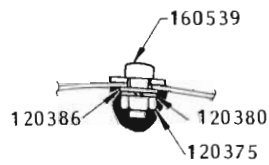
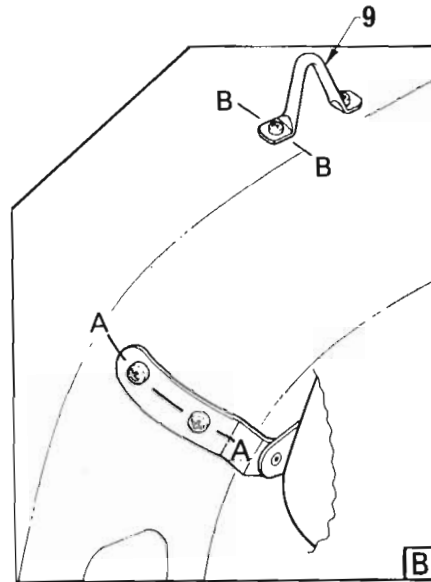
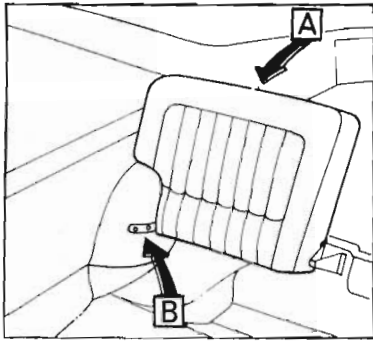
FRONT SEAT ADJUSTERS

ILLUS. REF. NO.	PART NAME	GROUP	ILLUS. REF. NO.	PART NAME	GROUP
1.	ADJUSTER ASSY.	11.561	7.	WIRE ASSY. - Left hand	11.589
2.	HANDLE - Seat remote control	11.588	8.	WIRE ASSY. - Right hand	11.589
3.	SUPPORT - Remote control lever	11.561	9.	SPRING - Release lever	11.581
4.	SPRING - Remote control handle	11.581	10.	SPRING - Assist	11.581
5.	SPRING & FRAME ASSY. - Cushion	11.373	11.	TENSIONER - Wire	11.589
6.	WIRE ASSY.	11.589	12.	BOLT - Handle	11.588

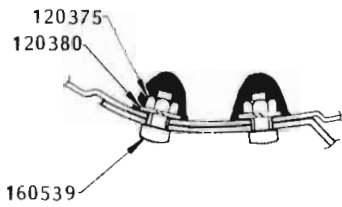


FRONT SEAT RECLINER

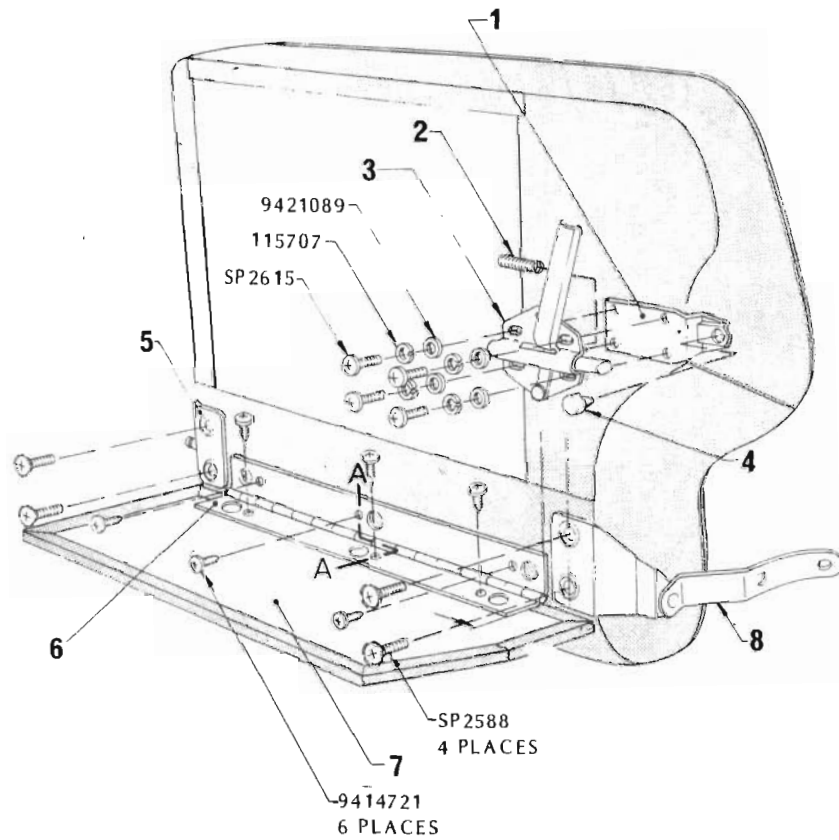
ILLUS. REF. NO.	PART NAME	GROUP
1.	ARM ASSY. — Front seat reclining	11.392
2.	ADJUSTER ASSY. — Front seat recliner	11.388

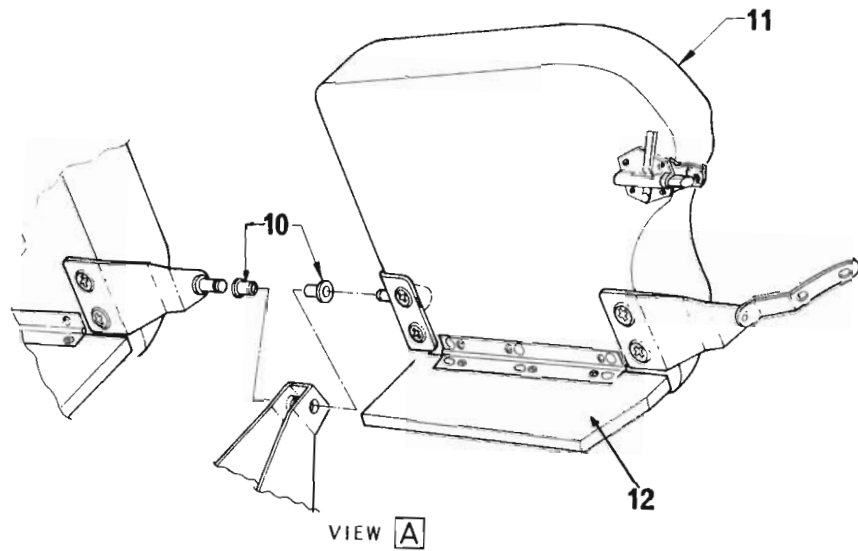


SECTION B - B



SECTION A - A





REAR SEAT BACK

77 Body Styles

ILLUSTRATION ABOVE & OPPOSITE

ILLUS. REF. NO.	PART NAME	GROUP
1.	PLATE - Lock backing	11.634
2.	SPRING - Seat back lock	11.634
3.	LOCK ASSEMBLY - Rear seat back	11.634
4.	BUMPER - Rear seat back	11.634
5.	BRACKET ASSEMBLY - Hinge	11.630
6.	HINGE ASSEMBLY - Filler board	11.630
7.	BOARD - Rear seat back filler	11.628
8.	HINGE ASSEMBLY - Outer	11.630
9.	BRACKET - Rear seat back stop	11.634
10.	BUSHING - Hinge pin	11.630
11.	CARPET ASSY. - Rear seat back rear ..	15.000
12.	CARPET ASSEMBLY - Filler board	15.308

TORANA "LX" PARTS CATALOGUE

GROUP	DESCRIPTION	SIDE	PART No.	QTY.	BODY STYLE	UG	UH	VB	VC	VD	
11.010	BRACKET, FASTENER - Rear quarter window										
	BRACKET - Hinge		9929231	4	77		X		X	X	
	SCREW - Hinge bracket to panel		9414711	4	77		X		X	X	
	BOLT - Hinge bracket to glass		159858	4	77		X		X	X	
	WASHER - Hinge bracket to glass		138479	4	77		X		X	X	
	NUT - Hinge bracket to glass		9930090	4	77		X		X	X	
	GROMMET - Hinge bracket to glass		6383505	8	77		X		X	X	
	BRACKET - Link		9934866	2	77		X		X	X	
	BOLT - Link bracket to glass		159858	2	77		X		X	X	
	WASHER - Link bracket to glass		138479	2	77		X		X	X	
	NUT - Link bracket to glass		9930090	2	77		X		X	X	
	GROMMET - Link bracket to glass		6383505	2	77		X		X	X	
	FASTENER ASSY.	LH	7162127	1	77		X		X	X	
		RH	7162126	1	77		X		X	X	
	BOLT - Fastener to inner panel		156966	4	77		X		X	X	
PIN - Fastener to glass		6392432	2	77		X		X	X		
11.011	GLASS - Rear quarter window										
	GLASS	LH	9934757	1	77		X		X	X	
		RH	9934756	1	77		X		X	X	
11.015	WEATHERSTRIP - Rear quarter window										
	WEATHERSTRIP		9934774	2	77		X		X	X	
11.175	PLATE - Front door scuff										
	PLATE		2824370	2	69	X	X	X	X	X	
	PLATE		2824372	2	77		X		X	X	
	SCREW		SP2471	10-12	69, 77	X	X	X	X	X	
11.179	PLATE - Rear door scuff										
	PLATE		2824371	2	69	X	X	X	X	X	
	SCREW		SP2471	6	69	X	X	X	X	X	
11.200	FRAME - Rear window										
	FRAME		2823633	1	69	X	X	X	X	X	
11.204	GLASS - Rear window										
	GLASS		(⁴⁷ 9931094	1	69	X	X	X	X	X	
	GLASS		(⁴⁸ 9938696	1	69	X	X	X	X	X	
	GLASS		9938697	1	77		X		X	X	
11.207	CHANNEL - Rear window glass										
	CHANNEL		9928614	1	69	X	X	X	X	X	
	CHANNEL		9934775	1	77		X		X	X	
11.208	ESCUTCHEON, INSERT - Rear window glass										
	ESCUTCHEON		2825577	2	69	X	X	X	X	X	
	ESCUTCHEON		7196633	1	77		X		X	X	
	INSERT - Upper		2825657	1	69	X	X	X	X	X	
	INSERT - Lower		2825658	1	69	X	X	X	X	X	
	INSERT		9934855	1	77		X		X	X	
11.373	SPRING & FRAME - Front seat										
	SPRING & FRAME - Cushion (Bucket Seat)		9935830	2	69, 77	X	X	X	X	X	
	SPRING & FRAME - Back (Bucket Seat)		2824241	2	69, 77	X	X	X	X	X	
	SPRING & FRAME ASSY. (Bench Seat) RIGHT HAND DRIVE		2824254	1	69			X	X		
	LEFT HAND DRIVE		9930080	1	69			X	X		
	CLIP - Seat cover to frame (Bucket Seat)		7100321	12	69, 77	X	X	X	X	X	
	RING - Hog		4556605	A.R.	69, 77	X	X	X	X	X	
	WIRE - Helical tie (Bench Seat)		7419479	1	69			X	X		
Note: (⁴⁷ Use without heated rear glass. (⁴⁸ Use with heated rear glass.											

TORANA "LX" PARTS CATALOGUE

GROUP	DESCRIPTION	SIDE	PART No.	QTY.	BODY STYLE	UG	UH	VB	VC	VD
11.388	RECLINER - Front seat									
	RECLINER ASSY. - (Bucket Seat)	LH	9938363	1	69	X	X	X	X	X
		RH	9938364	1	69	X	X	X	X	X
	RECLINER ASSY.	LH	9938665	1	77		X		X	X
		RH	9938666	1	77		X		X	X
	SCREW & WASHER - Recliner assy. to seat (Bucket Seat)		SP2605	16	69, 77	X	X	X	X	X
11.392	ARM - Front seat reclining inner									
	ARM ASSEMBLY	LH	9928309	1	69, 77	X	X	X	X	X
		RH	9928310	1	69, 77	X	X	X	X	X
11.420	SPRING, CLIP - Front seat cushion									
	SPRING - Main (Bucket Seat)		9935829	8	69, 77	X	X	X	X	X
	SPRING - Main (Bench Seat)		9931944	10	69			X	X	
	SPRING - Centre (Bench Seat)		9930234	3	69			X	X	
	RING - Hog (Bucket Seat)		4556605	8	69, 77	X	X	X	X	X
11.561	ADJUSTER - Front seat (Fore & Aft movement)									
	ADJUSTER ASSY.	LH	2822639	2-1	69, 77	X	X	X	X	X
		RH	2822638	2-1	69, 77	X	X	X	X	X
	BOLT - Adjuster to seat		SP2089	8-4	69, 77	X	X	X	X	X
	BOLT - Adjuster to under body		SP2093	8-4	69, 77	X	X	X	X	X
	SUPPORT - Adjuster lever		2818466	2-1	69, 77	X	X	X	X	X
	SCREW - Support to seat (Bench Seat)		9414712	2	69			X	X	
	COVER - Front seat adjuster rear		9938702	4-2	69, 77	X	X	X	X	X
11.573	SUPPORT - Front seat adjuster									
	SUPPORT - Front		2809543	4-2	69, 77	X	X	X	X	X
	SUPPORT - Rear		2822640	4-2	69, 77	X	X	X	X	X
11.581	SPRING - Front seat adjuster									
	SPRING - Assist		4304426	4-2	69, 77	X	X	X	X	X
	SPRING - Release lever		2811198	4-2	69, 77	X	X	X	X	X
11.588	HANDLE - Front seat adjuster									
	HANDLE (Bench Seat)		9933006	1	69			X	X	
			9930071	1	69			X	X	
	HANDLE - (Bucket Seat)		9933006	2	69, 77	X	X	X	X	X
	BOLT - Handle		2811258	2-1	69, 77	X	X	X	X	X
	WASHER - Spring $\frac{7}{16}$ "		SP1328	2-1	69, 77	X	X	X	X	X
	WASHER - Flat type B $\frac{1}{4}$ "		9419264	2-1	69, 77	X	X	X	X	X
11.589	WIRE - Front seat adjuster									
	WIRE - Auxiliary locking, long (8.2") (Bucket Seat)		2811255	2	69, 77	X	X	X	X	X
	WIRE - Auxiliary locking, long (39.5") (Bench Seat)		2811366	1	69			X	X	
	WIRE - Auxiliary locking, short (5.5")		2811253	2-1	69, 77	X	X	X	X	X
	TENSIONER - Auxiliary locking wire (Bench Seat)		2811360	1	69			X	X	
11.610	SPRING & FRAME ASSY. - Rear seat cushion									
SPRING & FRAME ASSEMBLY		9937480	1	69	X	X	X	X	X	
11.611	SPRING, CLIP, RING - Rear seat cushion									
	SPRING - Main		9937488	10	69	X	X	X	X	X
	SPRING - Intermediate		9937489	2	69	X	X	X	X	X
	SPRING - Centre		9937486	1	69	X	X	X	X	X
	SPRING - Outer		9937487	2	69	X	X	X	X	X
	CLIP - Wire		7401768	A.R.	69	X	X	X	X	X
	RING - Hog		4556605	A.R.	69, 77	X	X	X	X	X
11.611	RETAINER - Rear seat cushion									
RETAINER		2812735	2	77		X		X	X	
11.628	SPRING & FRAME - Rear seat back									
SPRING & FRAME ASSEMBLY		2824645	1	69	X	X	X	X	X	

TORANA "LX" PARTS CATALOGUE

GROUP	DESCRIPTION	SIDE	PART No.	QTY.	BODY STYLE	UG	UH	VB	VC	VD
11.628	BOARD - Rear seat back									
	BOARD	LH	9938093	1	77		X		X	X
		RH	9938092	1	77		X		X	X
11.629	SPRING, CLIP - Rear seat back									
	SPRING - Main		2824309	12	69	X	X	X	X	X
	SPRING - Main support		2824409	12	69	X	X	X	X	X
	SPRING - Outer		2824308	2	69	X	X	X	X	X
	CLIP - Wire		7401768	A.R.	69	X	X	X	X	X
	RING-HOG		4556605	A.R.	69, 77	X	X	X	X	X
11.630	HINGE, BRACKET - Rear seat back									
	HINGE - Outer	LH	9938821	1	77		X		X	X
		RH	9938822	1	77		X		X	X
	BUSHING - Hinge pin		4150462	2	77		X		X	X
	BOLT & WASHER - Hinge to seat back		SP2588	8	77		X		X	X
	NUT - Hinge to seat back		SP2296	8	77		X		X	X
	BOLT - Hinge to wheelhouse		160539	4	77		X		X	X
	NUT - Hinge to wheelhouse		120375	4	77		X		X	X
	WASHER - Lock		120380	4	77		X		X	X
	BRACKET ASSY. - Hinge	LH	9934893	1	77		X		X	X
		RH	9934892	1	77		X		X	X
	BRACKET - Hinge centre		9934890	1	77		X		X	X
	HINGE ASSY. - Filler board		9938099	2	77		X		X	X
	SCREW - Hinge to seat back & filler board		9414721	12	77		X		X	X
11.634	RETAINER - Rear seat back									
	RETAINER - Upper		2812735	4	69	X	X	X	X	X
	WASHER - Retainer		2824366	2	69	X	X	X	X	X
11.634	LOCK, BRACKET, BUMPER - Rear seat back									
	LOCK ASSY	LH	9940737	1	77		X		X	X
		RH	9940738	1	77		X		X	X
	BOLT - Lock to seat back		SP2615	8	77		X		X	X
	WASHER - Lock to seat back		115707	8	77		X		X	X
	SPRING - Seat back lock		7407811	2	77		X		X	X
	PLATE - Lock backing		9934900	2	77		X		X	X
	BRACKET - Seat back stop		9939646	2	77		X		X	X
	BOLT - Stop bracket to wheelhouse		160539	4	77		X		X	X
	WASHER - Stop bracket, flat		120386	4	77		X		X	X
	WASHER - Stop bracket, lock		120380	4	77		X		X	X
	NUT		120375	4	77		X		X	X
	BUMPER - Lock		7433103	2	77		X		X	X
11.925	BASE - Dome lamp									
	BASE ASSEMBLY		⁽⁶⁵⁾ 2806962	1	69, 77	X	X	X	X	X
	BULB - Festoon, 12-16V, 12 C.P.		⁽⁶⁵⁾ 9414045	1	69, 77	X	X	X	X	X
	LEAD ASSY. - Exc. taxi equipment		⁽⁶⁵⁾ 2816582	1	69, 77	X	X	X	X	X
	LEAD ASSY. - Taxi Equipment		2816797	1	69	X	X	X	X	X
	CLIP - Lead to roof rail inner		SP2369	1	69, 77	X	X	X	X	X
	LEAD ASSY. - Earth	RIGHT HAND DRIVE	⁽⁶⁵⁾ 2817464	1	69	X		X		
	LEFT HAND DRIVE	⁽⁶⁵⁾ 9931015	1	69	X		X			
11.925	HOUSING, REFLECTOR - Dome and reading lamp									
	HOUSING		⁽⁶⁶⁾ 1695635	1	69		X			
	SCREW - Housing to reflector		⁽⁶⁶⁾ 163158	1	69		X			
	REFLECTOR		⁽⁶⁶⁾ 1695626	1	69		X			
	SCREW - Reflector to roof bow		⁽⁶⁶⁾ SP1855	1	69		X			
	BULB - Dome lamp		⁽⁶⁶⁾ 9414045	1	69		X			
	BULB - Reading lamp		⁽⁶⁶⁾ 455136	2	69		X			
LEAD ASSY		⁽⁶⁶⁾ 9938449	1	69		X				

Note: ⁽⁶⁵⁾ Except Export Luxury Trim and Interior Equipment.
⁽⁶⁶⁾ Export Luxury Trim & Interior Equipment.

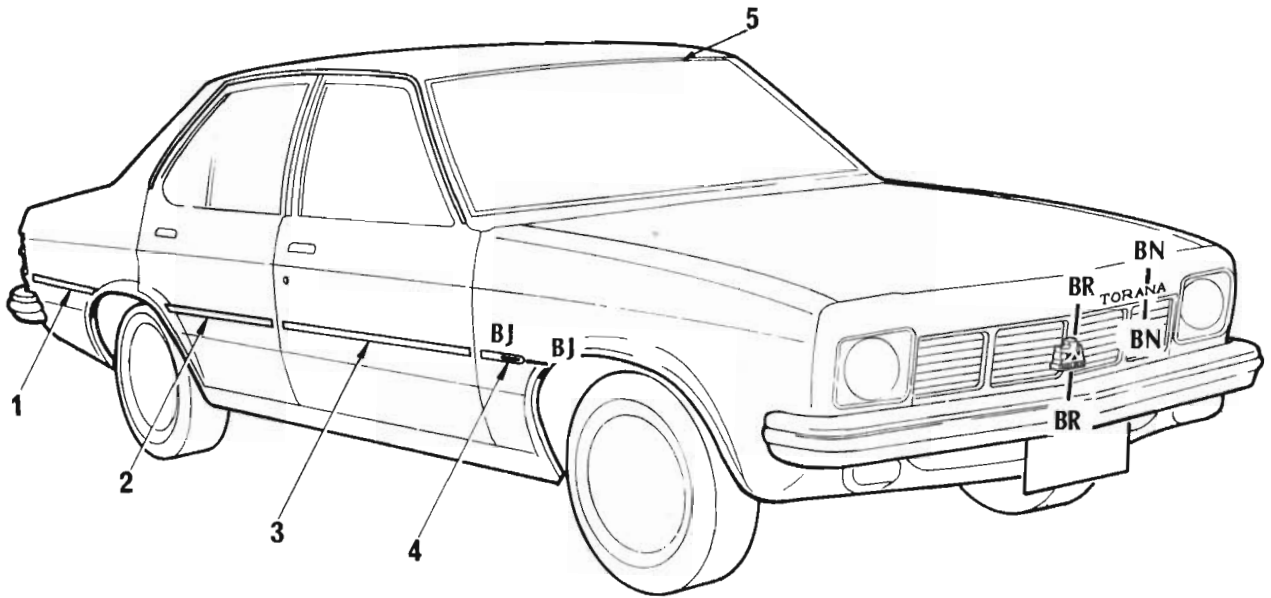
TORANA "LX" PARTS CATALOGUE

GROUP	DESCRIPTION	SIDE	PART No.	QTY.	BODY STYLE	UG	UH	VB	VC	VD
11.928	LENS - Dome lamp									
	LENS		(⁶⁵ 2806963	1	69, 77	X	X	X	X	X
	LENS - Dome and reading lamp		(⁶⁶ 8780507	1	69		X			
11.950	SWITCH - Courtesy light									
	BODY - Switch		2807323	2-4	69, 77	X	X	X	X	X
	SPRING - Switch		2807324	2-4	69, 77	X	X	X	X	X
	PLUNGER - Switch		2807325	2-4	69, 77	X	X	X	X	X
	LEAD ASSEMBLY - Front door switch	RIGHT HAND DRIVE	2824830	1	69	X	X	X	X	X
		LEFT HAND DRIVE	9932138	1	69	X	X	X	X	
	LEAD ASSEMBLY - Rear door switch	RIGHT HAND DRIVE	2817459	1	69	X		X		
11.960	LAMP - Rear compartment									
	BODY - Switch		2807323	1	69, 77	X	X	X	X	X
	SPRING - Switch		2807324	1	69, 77	X	X	X	X	X
	PLUNGER - Switch		2807325	1	69, 77	X	X	X	X	X
	SOCKET & LEAD ASSEMBLY - Lamp (Equipment) 27" long		9932940	1	69	X	X	X	X	X
	SOCKET & LEAD ASSEMBLY - Lamp (Accessory) 106" long		2824701	1	69	X		X		
	CLIP - Lead to rear seat back		SP2369	1	69	X	X	X	X	X
	BODY - Lead, male		2962984	1	69	X	X	X	X	X
	BULB - 12-16V., 15 C.P.		455490	1	69	X	X	X	X	X
	LAMP - Package (Accessory)		2824729	1	69	X	X	X		
	SPRING - Socket		2962243	1	69	X	X	X	X	X
	BODY - Connector		2962448	1	69	X	X	X	X	X
	REFLECTOR - Lamp		7731133	1	77		X	X	X	X
	LENS - Lamp		2813866	1	77		X		X	X
	BULB - Lamp, 12V, 5W		SP1932	1	77		X		X	X
	BRACKET - Lamp mounting		9938528	1	77		X		X	X
	SCREW - Lamp to bracket		9414712	2	77		X		X	X
	RIVET - Bracket to trim		SP2316	2	77		X		X	X
	BRACKET - Lamp actuating		9938388	1	77		X		X	X
	SCREW - Bracket to lid		9414721	1	77		X		X	X
BODY - Lead, male		2962984	1	77		X		X	X	

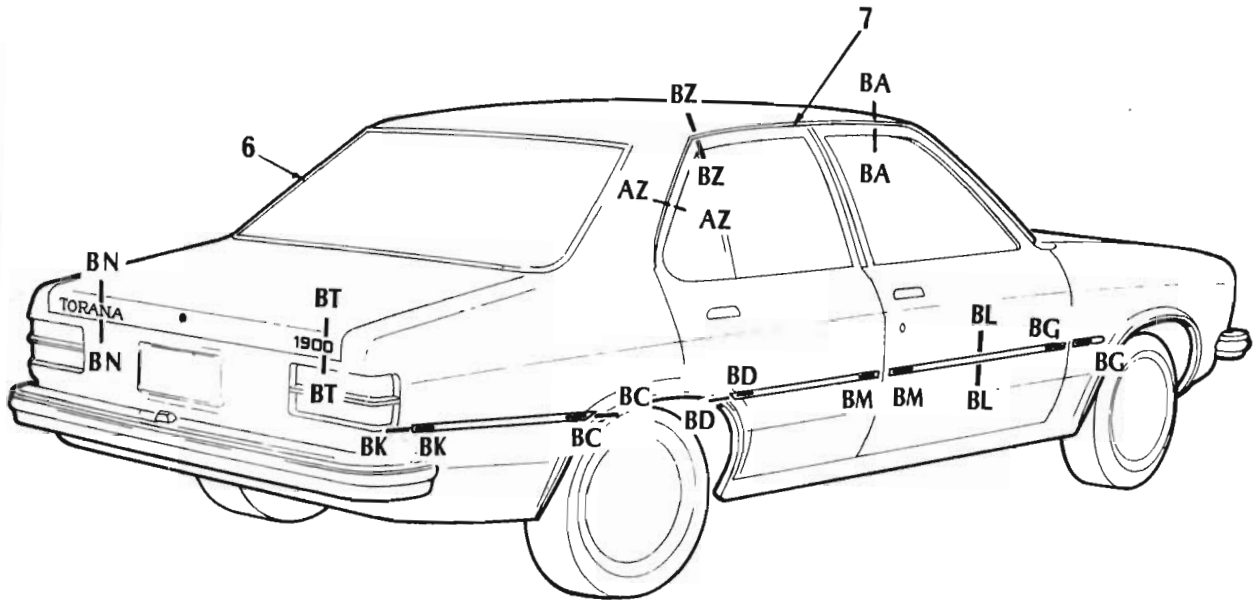
Note: (⁶⁵ Except Export Luxury Trim and Interior Equipment.
(⁶⁶ Export Luxury Trim & Interior Equipment.

GROUP 12.000
MOULDINGS & CLIPS
SHEET METAL

TORANA "LX" PARTS CATALOGUE



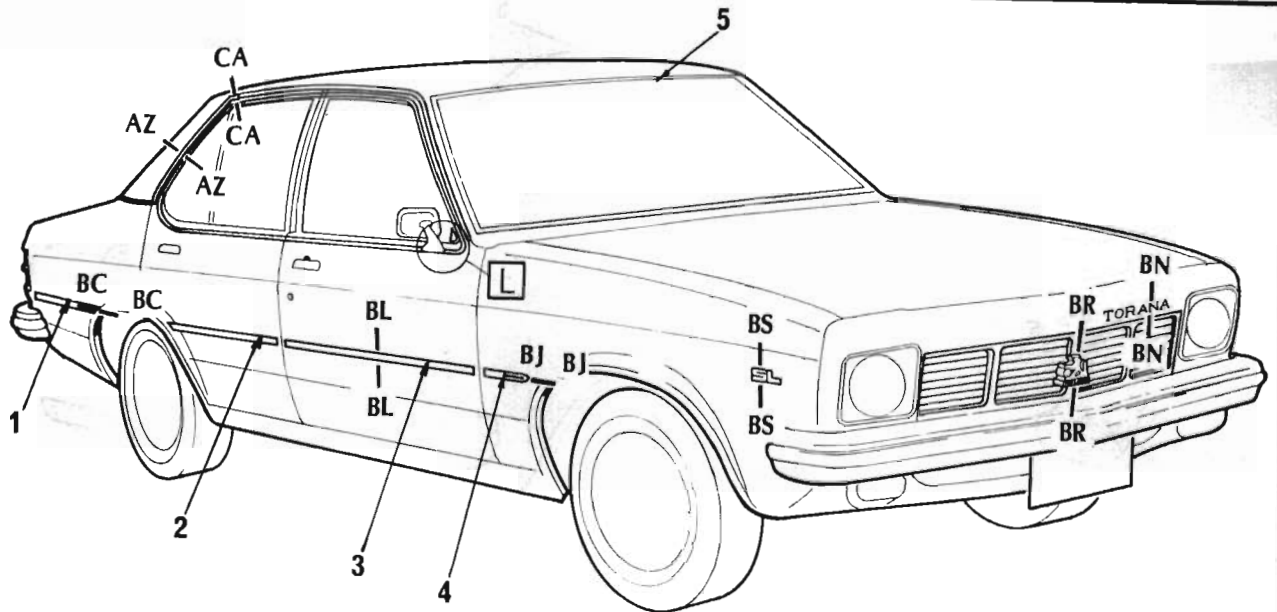
SECTIONS: BC-BC, BD-BD, BG-BG Refer Page 519
 AZ-AZ, BA-BA, BN-BN, BT-BT, BZ-BZ Refer Page 521
 BJ-BJ, BL-BL, BK-BK, BM-BM Refer Page 522
 BR-BR Refer Page 93



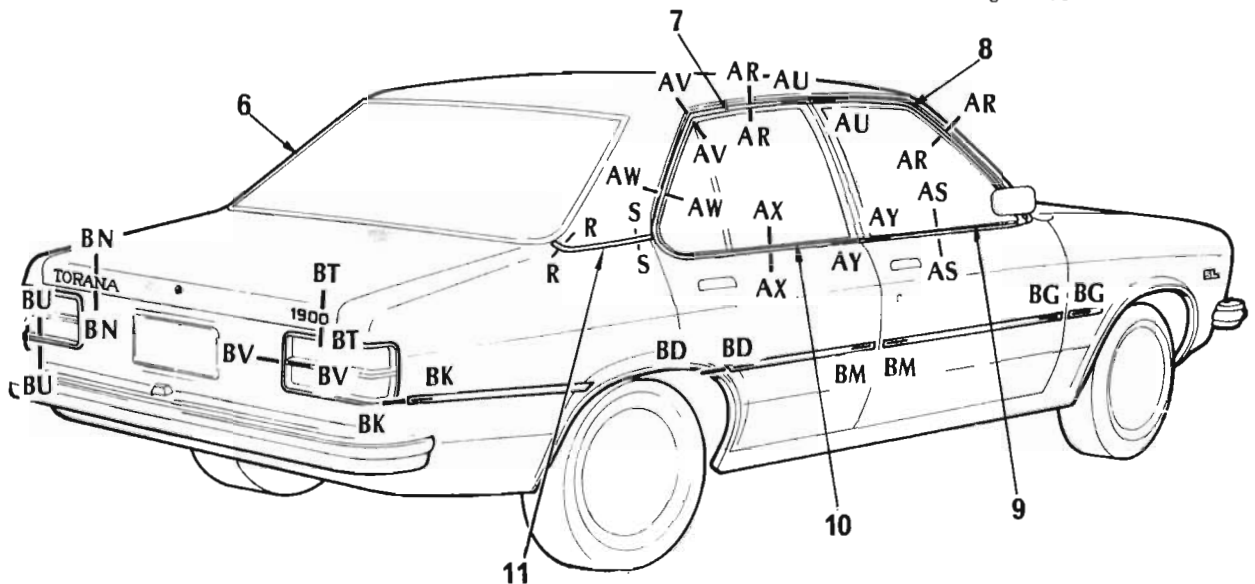
BODY MOULDINGS - 8UG69

ILLUS. REF. NO.	PART NAME	GROUP
1.	MOULDING - Side	12.116
2.	MOULDING - Side	12.114
3.	MOULDING - Side	12.112
4.	MOULDING - Side	8.132
5.	INSERT - Windshield glass channel	10.093
6.	INSERT - Rear window glass	11.208
7.	MOULDING - Roof reveal side	12.075

TORANA "LX" PARTS CATALOGUE

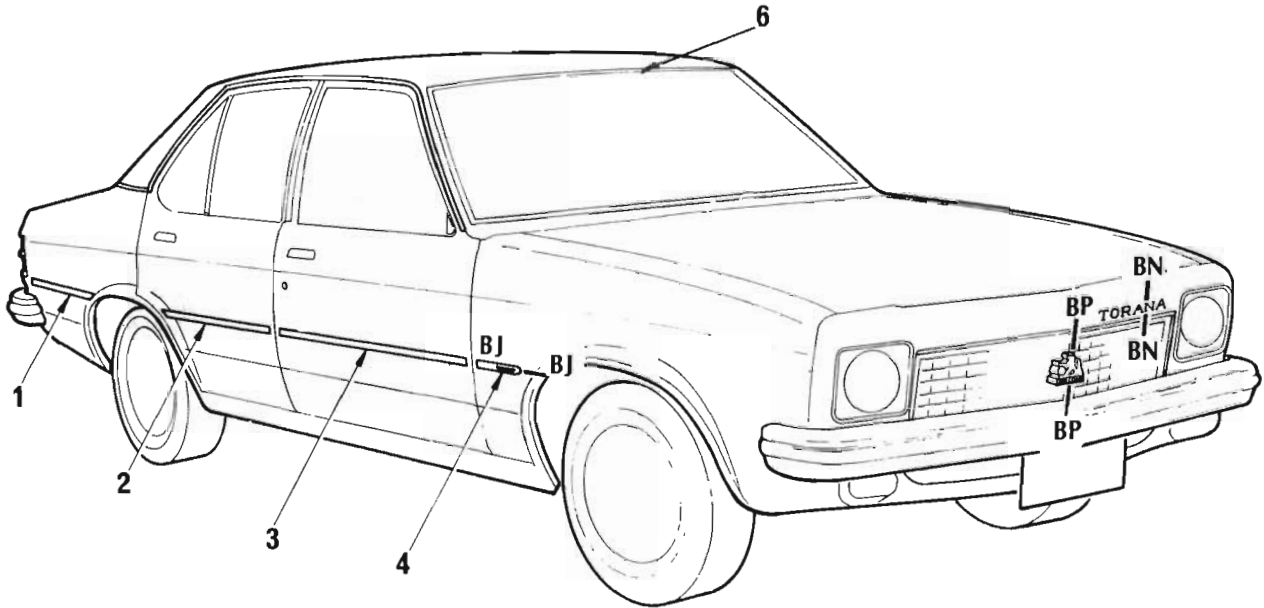


SECTIONS: BC-BC, BD-BD, BG-BG	Refer Page	519
VIEW L, AR-AR, AS-AS	Refer Page	520
CA-CA, BN-BN, BT-BT, BS-BS	Refer Page	521
R-R, S-S	Refer Page	522
AU-AU, AV-AV, AW-AW, AX-AX, AY-AY	Refer Page	523
BU-BU, BV-BV, BR-BR	Refer Page	93

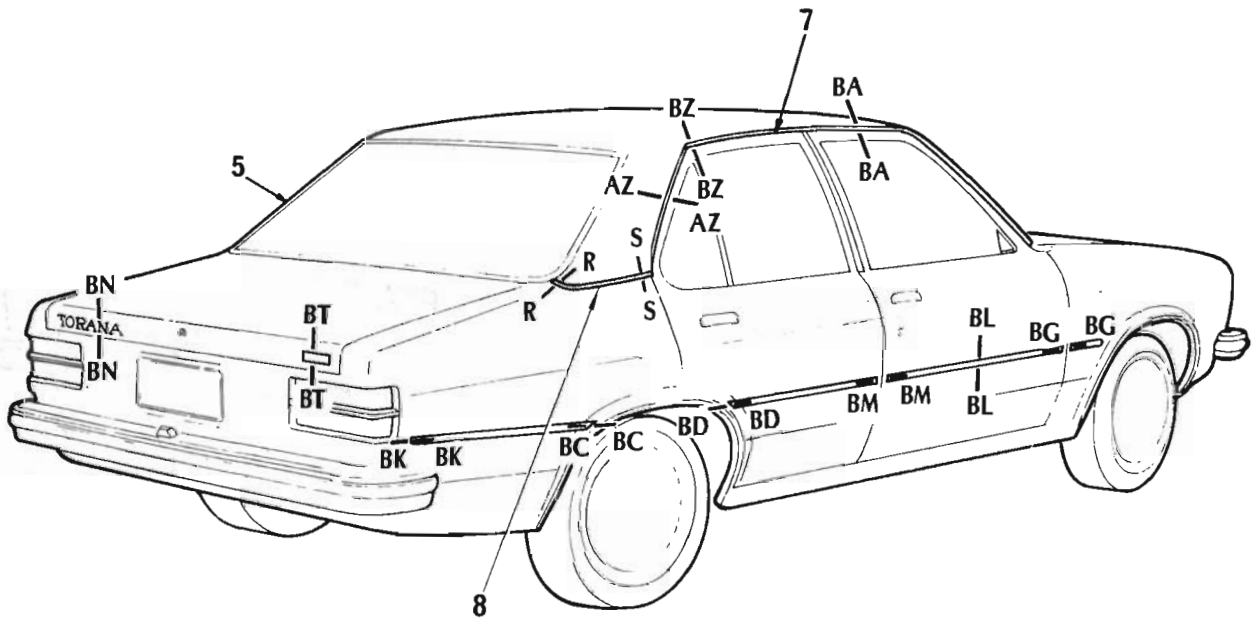


BODY MOULDINGS - 8UH69 - 8VC69

ILLUS. REF. NO.	PART NAME	GROUP
1.	MOULDING - Side	12.116
2.	MOULDING - Side	12.114
3.	MOULDING - Side	12.112
4.	MOULDING - Side	8.132
5.	INSERT - Windshield glass channel	10.093
6.	INSERT - Rear window glass	11.208
7.	MOULDING - Reveal upper	12.114
8.	MOULDING - Reveal upper	12.112
9.	MOULDING - Reveal lower	12.112
10.	MOULDING - Reveal lower	12.114
11.	MOULDING - Roof reveal side	12.075

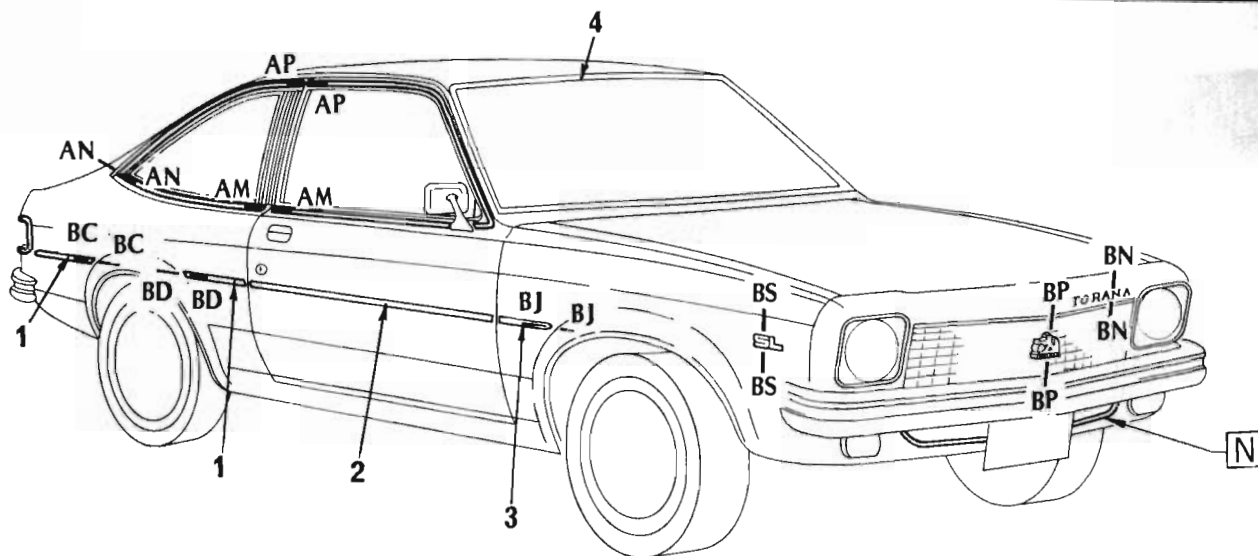


SECTIONS: BC-BC, BD-BD, BG-BG Refer Page 519
 BP-BP, AZ-AZ, BA-BA, BN-BN, BT-BT, BZ-BZ Refer Page 521
 R-R, S-S, BJ-BJ, BL-BL, BK-BK, BM-BM Refer Page 522

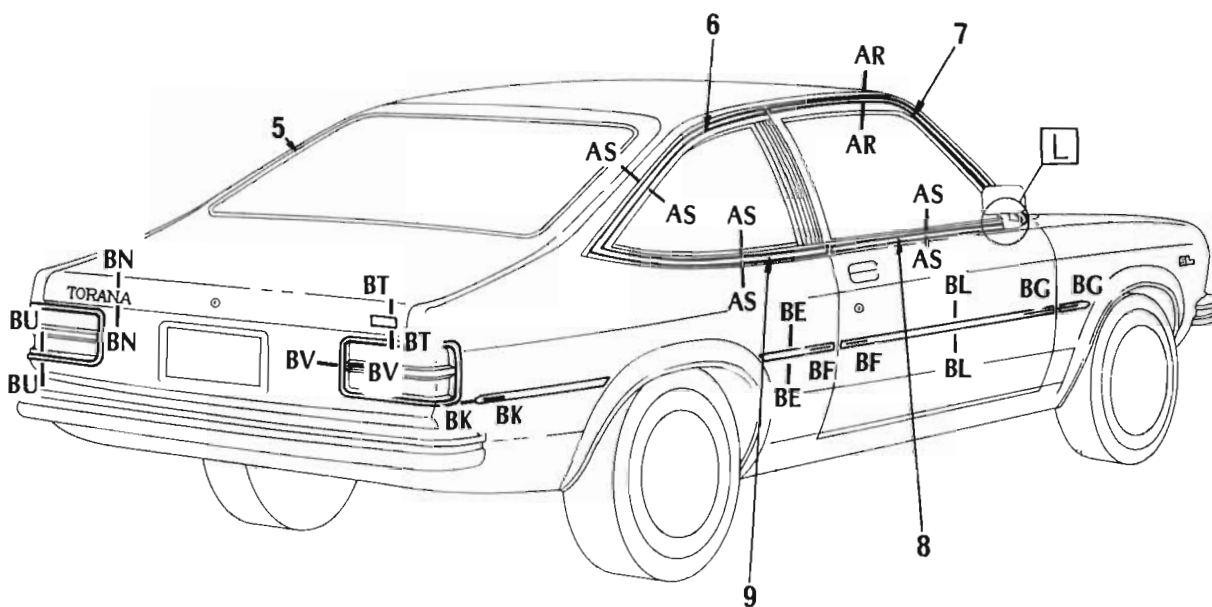


BODY MOULDINGS - 8VB69

ILLUS. REF. NO.	PART NAME	GROUP
1.	MOULDING - Side	12.116
2.	MOULDING - Side	12.114
3.	MOULDING - Side	12.112
4.	MOULDING - Side	8.132
5.	INSERT - Rear window glass	11.208
6.	INSERT - Windshield glass channel	10.093
7.	MOULDING - Roof reveal	12.075
8.	MOULDING - Reveal side	12.075



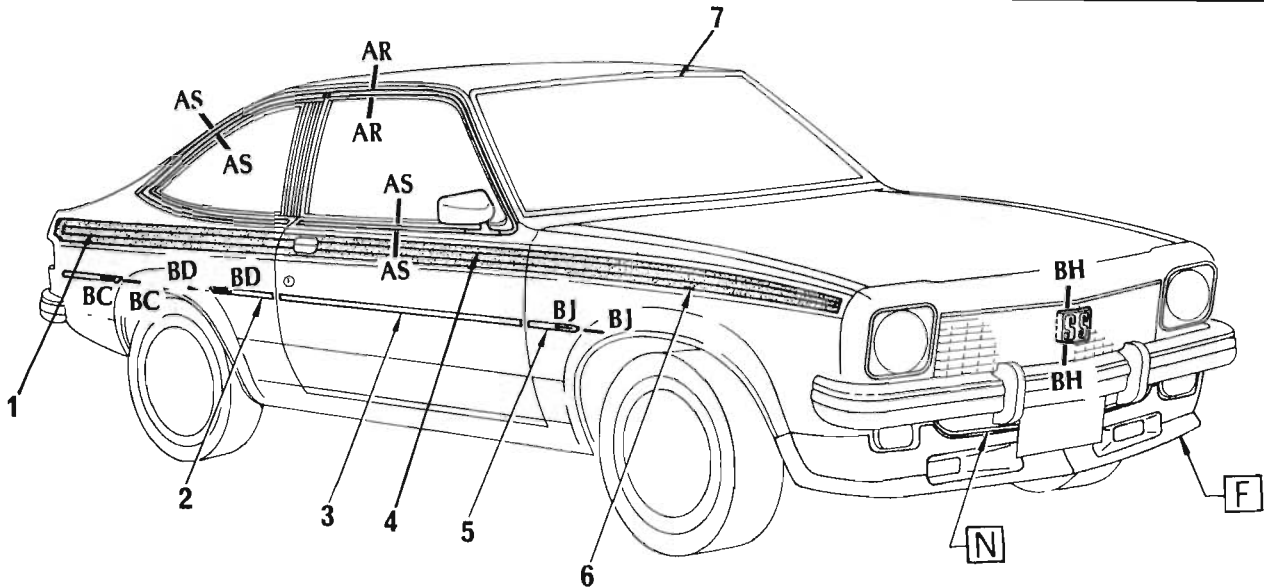
SECTIONS: BC-BC, BD-BD, BE-BE, BF-BF, BG-BG	Refer Page	519
AM-AM, AN-AN, AP-AP, AR-AR, AS-AS, VIEW L	Refer Page	520
BP-BP, BN-BN, BT-BT, BS-BS	Refer Page	521
BU-BU, BV-BV, VIEW N	Refer Page	93
BJ-BJ, BK-BK, BL-BL	Refer Page	522



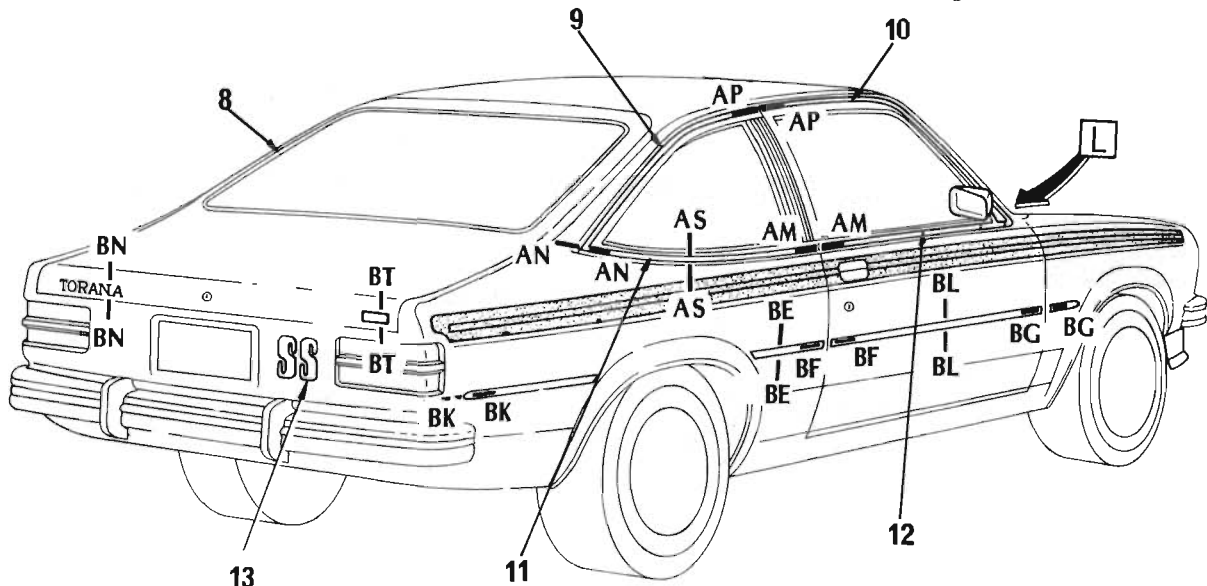
BODY MOULDINGS - 8UH77 - 8VC77

ILLUS. REF. NO.	PART NAME	GROUP
1.	MOULDING - Side	12.116
2.	MOULDING - Side	12.112
3.	MOULDING - Side	8.132
4.	INSERT - Windshield glass channel	10.093
5.	INSERT - Rear window glass	11.208
6.	MOULDING - Reveal upper	12.116
7.	MOULDING - Reveal upper	12.112
8.	MOULDING - Reveal lower	12.112
9.	MOULDING - Reveal lower	12.116

TORANA "LX" PARTS CATALOGUE

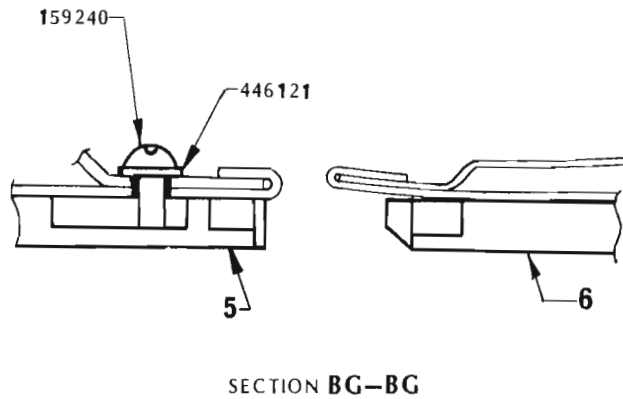
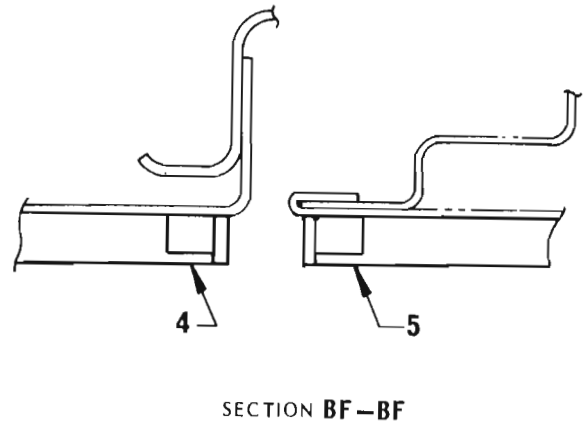
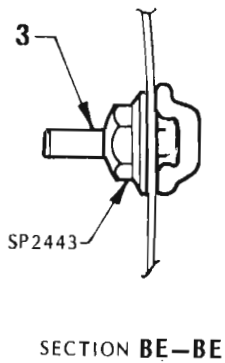
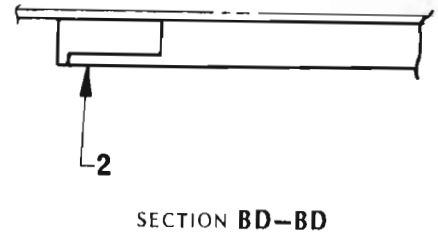
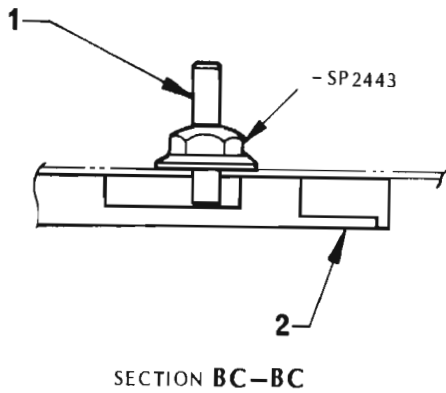


SECTIONS: BC-BC, BD-BD, BE-BE, BF-BF, BG-BG	Refer Page 519
AM-AM, AN-AN, AP-AP, AR-AR, AS-AS, VIEW L	Refer Page 520
BN-BN, BT-BT	Refer Page 521
BJ-BJ, BK-BK, BL-BL	Refer Page 522
BH-BH,	Refer Page 523
VIEW N	Refer Page 93



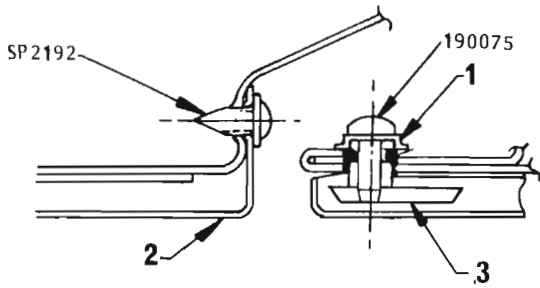
BODY MOULDINGS - 8VD 77

ILLUS. REF. NO.	PART NAME	GROUP
1.	TRANSFER - Rear quarter side	12.116
2.	MOULDING - Quarter side	12.116
3.	MOULDING - Side	12.112
4.	TRANSFER - Front door	12.112
5.	MOULDING - Fender side	8.132
6.	TRANSFER - Front fender	8.132
7.	INSERT - Windshield glass channel	10.093
8.	INSERT - Rear window glass	11.208
9.	MOULDING - Reveal upper	12.116
10.	MOULDING - Reveal upper	12.112
11.	MOULDING - Reveal lower	12.116
12.	MOULDING - Reveal lower	12.116
13.	TRANSFER - "SS"	12.121

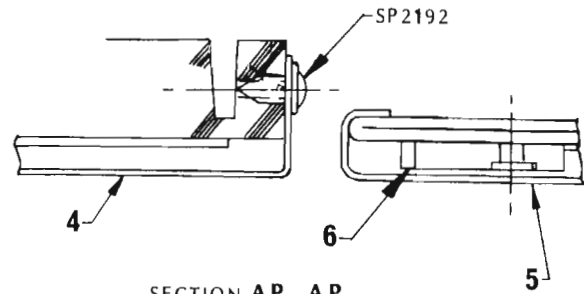


BODY MOULDINGS – RETAINERS & SCREWS

ILLUS. REF. NO.	PART NAME	GROUP
1.	RETAINER – Rear quarter moulding	12.116
2.	MOULDING – Rear quarter	12.116
3.	RETAINER – Rear quarter moulding	12.116
4.	MOULDING – Rear quarter	12.116
5.	MOULDING – Side	12.112
6.	MOULDING – Front fender	8.132



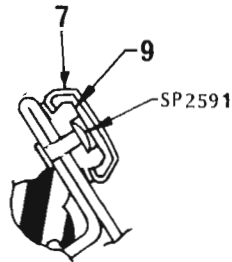
SECTION AM-AM



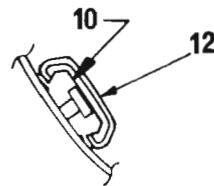
SECTION AP-AP



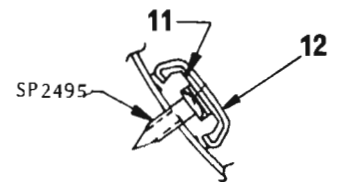
SECTION AR-AR



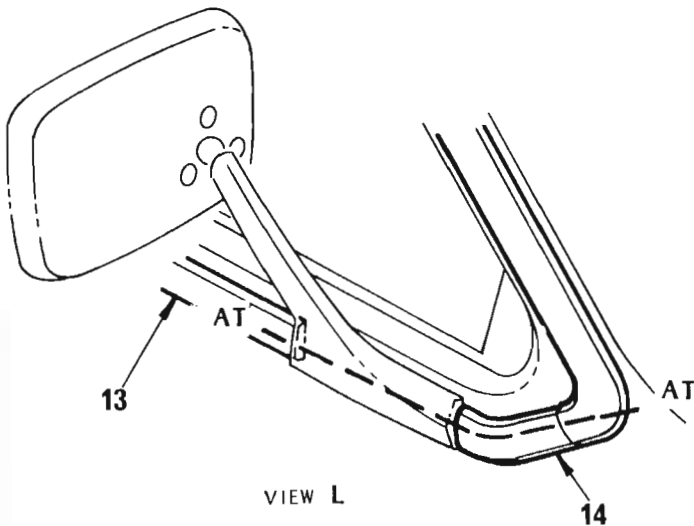
EMERGENCY USE ONLY



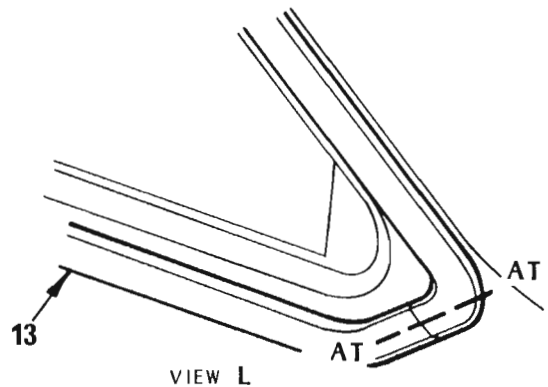
SECTION AS-AS



EMERGENCY USE ONLY



VIEW L



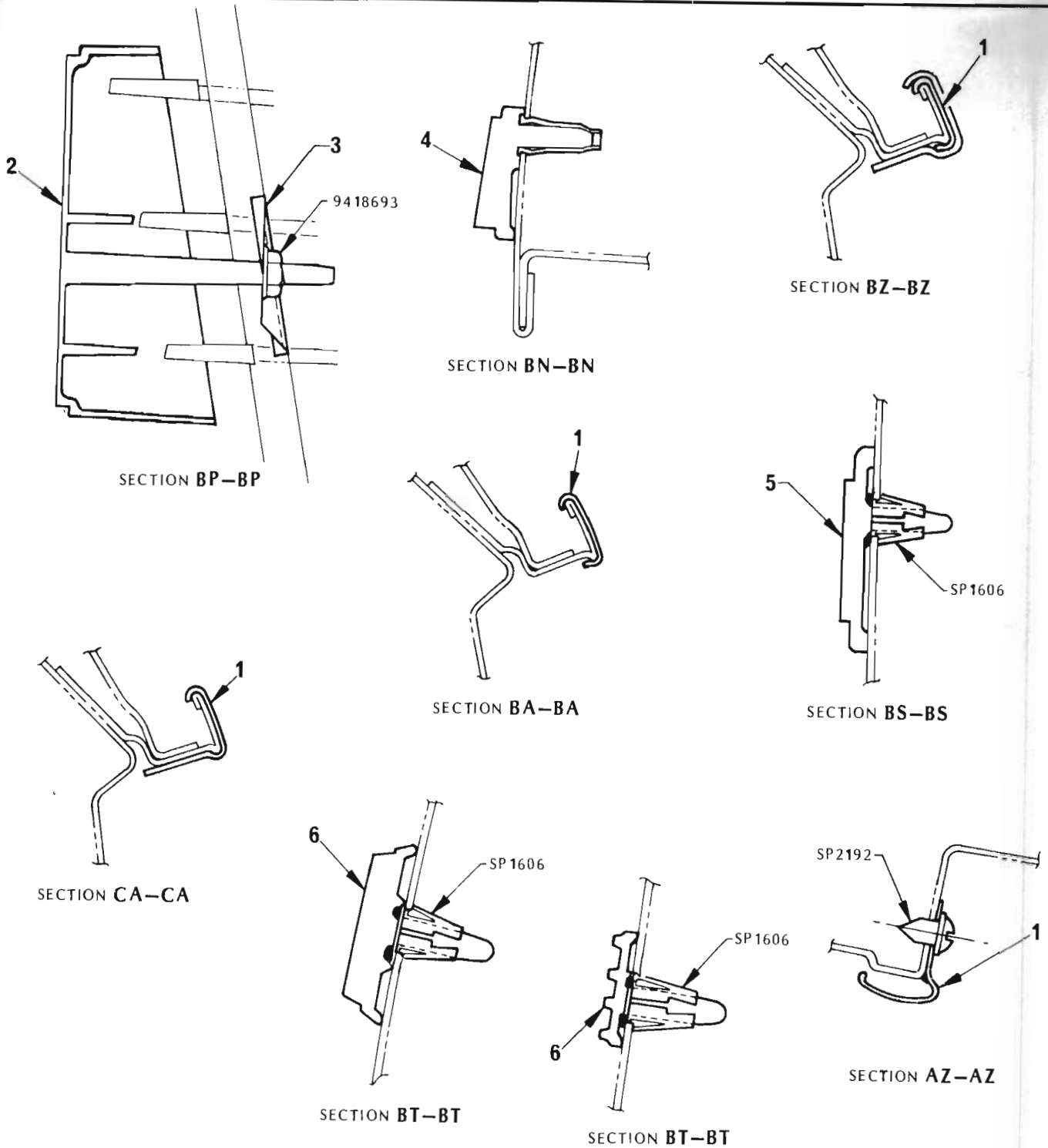
VIEW L

BODY MOULDINGS – RETAINERS and SCREWS

ILLUS. REF. NO.	PART NAME	GROUP
1.	WASHER – Side moulding	12.112
2.	MOULDING – Reveal lower	12.116
3.	CLIP – Side moulding	12.112
4.	MOULDING – Reveal upper	12.116
5.	MOULDING – Reveal upper	12.112
6.	CLIP – Upper reveal moulding	12.112/12.116
7.	MOULDING – Upper reveal moulding	12.112/12.116
8.	CLIP – reveal moulding – Stud type	12.112/12.116

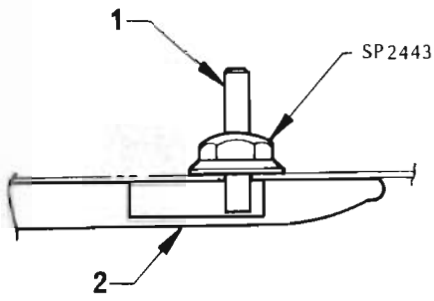
ILLUS. REF. NO.	PART NAME	GROUP
9.	CLIP – Upper reveal moulding – Screw type	12.112/12.116
10.	CLIP – Lower reveal moulding – Stud type	12.116
11.	CLIP – Lower reveal moulding – Screw type	12.116
12.	MOULDING – Reveal lower	12.116
13.	MOULDING – Reveal lower	12.112
14.	MOULDING – Lower front	12.112

TORANA "LX" PARTS CATALOGUE

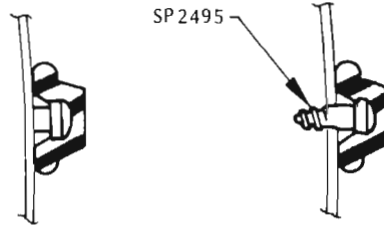


BODY MOULDINGS – RETAINERS and SCREWS

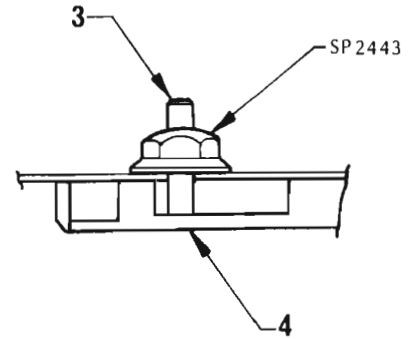
ILLUS. REF. NO.	PART NAME	GROUP
1.	MOULDING – Roof reveal side	12.075
2.	EMBLEM – Grille	1.265
3.	BRACKET – Grille emblem	1.265
4.	LETTER – Deck lid	12.182
5.	PLATE – Front fender name	8.132
6.	PLATE – Engine size	8.132



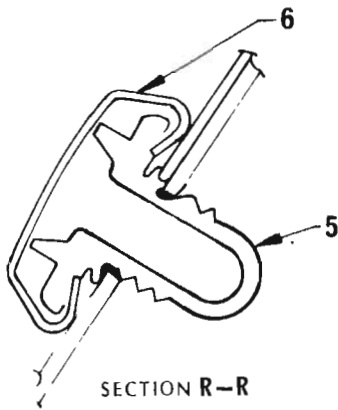
SECTION BJ-BJ



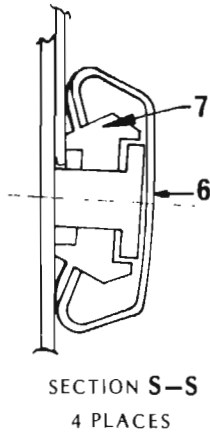
SECTION BL-BL



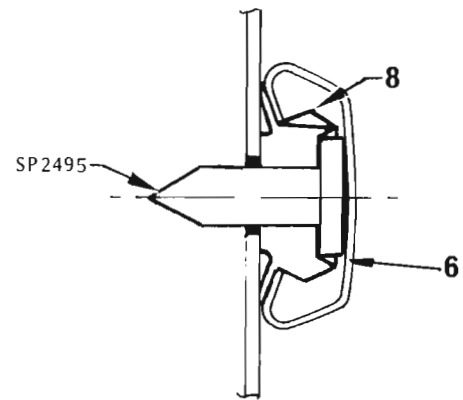
SECTION BK-BK



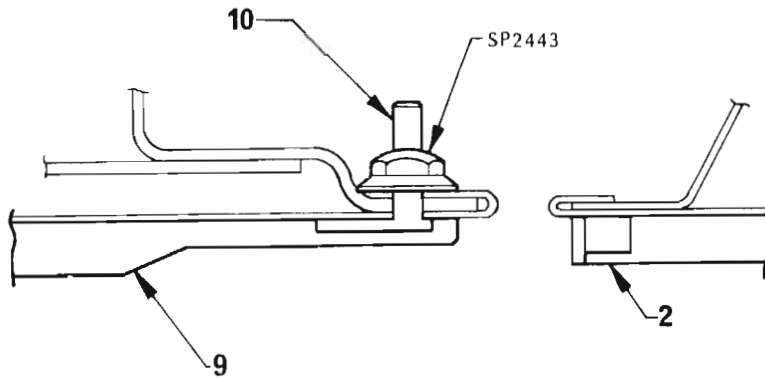
SECTION R-R



SECTION S-S
4 PLACES



SECTION S-S
EMERGENCY USE

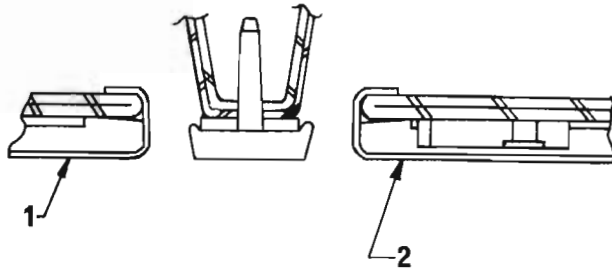


SECTION BM-BM

BODY MOULDINGS – RETAINERS and SCREWS

ILLUS. REF. NO.	PART NAME	GROUP	ILLUS. REF. NO.	PART NAME	GROUP
1.	RETAINER – Side moulding	8.132	6.	MOULDING – Roof reveal side	12.075
2.	MOULDING – Side	8.132	7.	CLIP – Roof reveal moulding – Stud Type	12.075
3.	RETAINER – Side moulding	12.116	8.	CLIP – Roof reveal moulding – Screw type	12.075
4.	MOULDING – Side	12.116	9.	MOULDING – Side	12.114
5.	CLIP – Roof reveal moulding	12.075	10.	RETAINER – Moulding side	12.114

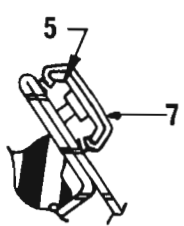
TORANA "LX" PARTS CATALOGUE



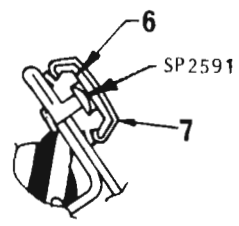
SECTION AU-AU



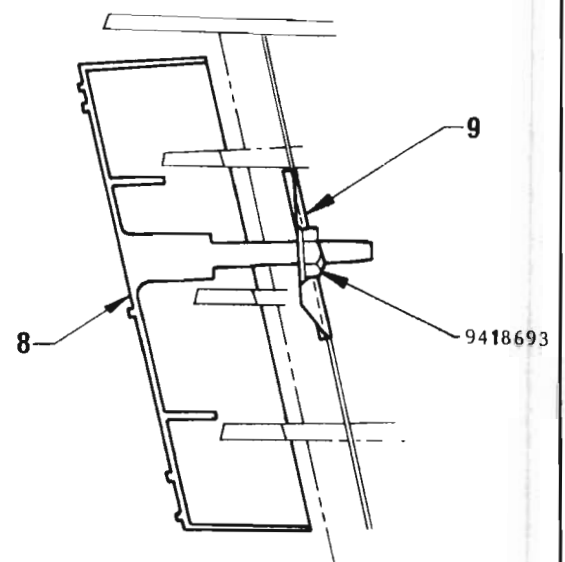
SECTION AV-AV



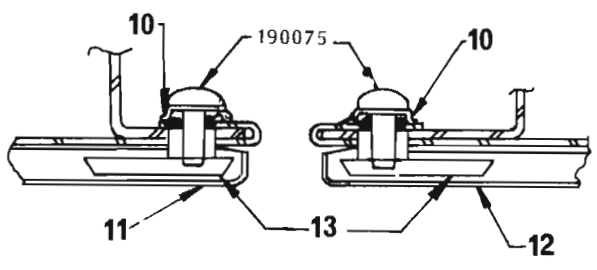
SECTION AW-AW
3 PLACES



EMERGENCY USE ONLY



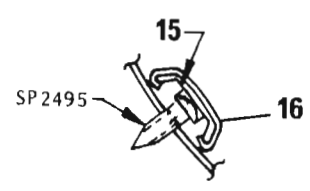
SECTION BH-BH



SECTION AY-AY



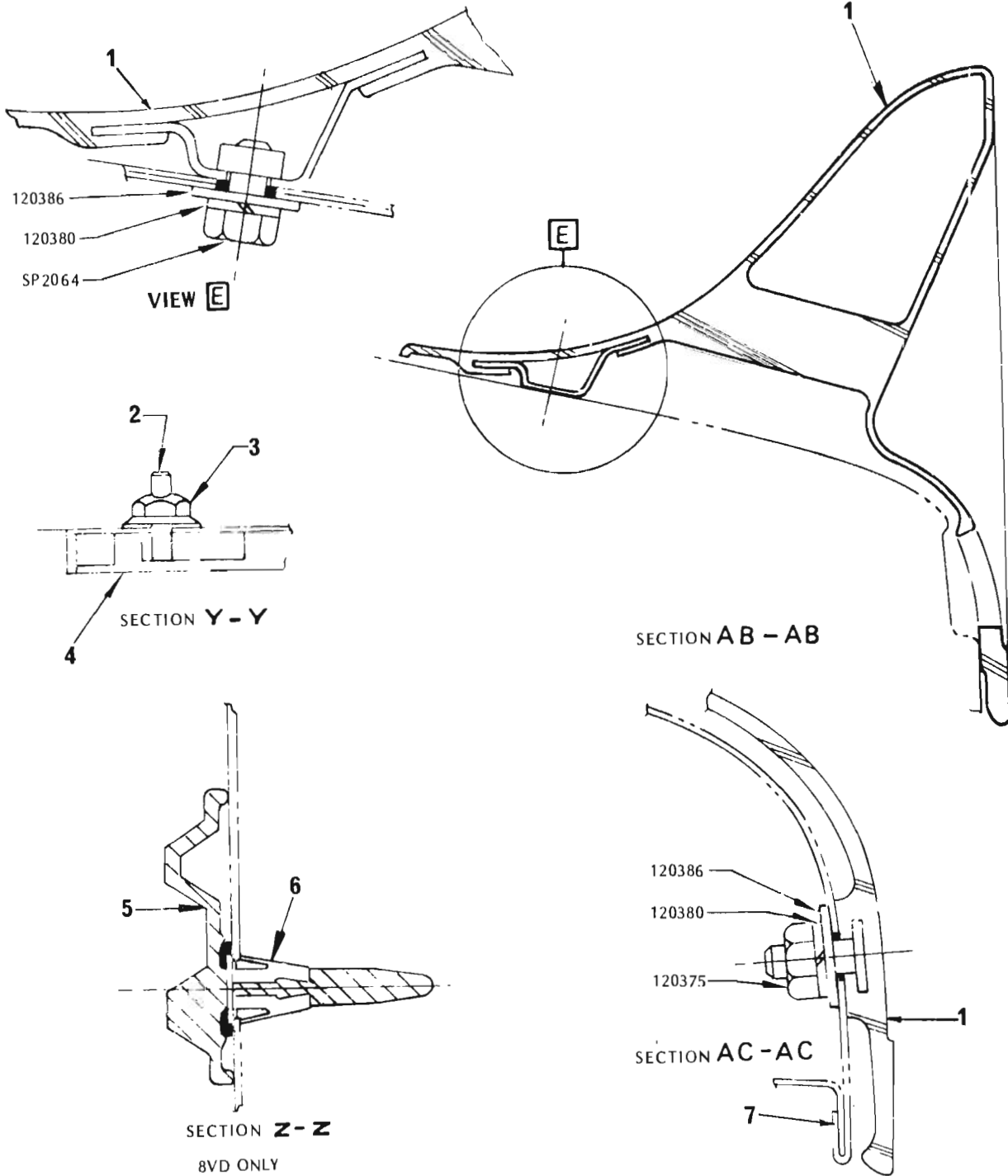
SECTION AX-AX
5 PLACES



EMERGENCY USE ONLY

BODY MOULDINGS - RETAINERS and SCREWS

ILLUS. REF. NO.	PART NAME	GROUP	ILLUS. REF. NO.	PART NAME	GROUP
1.	MOULDING - Reveal upper	12.114	9.	BRACKET - Grille emblem	1.265
2.	MOULDING - Reveal upper	12.112	10.	WASHER - Moulding retainer	12.112/12.114
3.	MOULDING - Reveal lower	12.114	11.	MOULDING - Reveal lower	12.114
4.	MOULDING - Reveal upper	12.114	12.	MOULDING - Reveal lower	12.112
5.	CLIP - Reveal moulding - Stud type	12.114	13.	CLIP - Reveal moulding	12.112/12.114
6.	CLIP - Reveal moulding - Screw type ..	12.114	14.	CLIP - Reveal moulding - Stud type	12.114
7.	MOULDING - Reveal upper	12.114	15.	CLIP - Reveal moulding - Screw type ..	12.114
8.	EMBLEM - Grille	1.265	16.	MOULDING - Lower reveal	12.114



SPOILER, MOULDING and NAME PLATE
BODY STYLE - 8VD69

ILLUS. REF. NO.	PART NAME	GROUP	ILLUS. REF. NO.	PART NAME	GROUP
1.	SPOILER ASSY.	12.967	5.	PLATE - Name 'SLR'	12.182
2.	STUD - No. 6 - 32 x 3/4"	12.116	6.	CLIP - Name plate (tubular)	12.182
3.	NUT - Stamped No. 6 - 32	12.116	7.	LID ASSY. - Deck	12.181
4.	MOULDING - Quarter side	12.116			


EXTERNAL ORNAMENTATION

1900
 177730 12.121

2850
 9928682 12.182

3300
 9928928 12.182

SL/R
 9929138 8.132


HOLDEN
 9936294
 9935729
 1.265

SL
 2818746 8.132

4.2
LITRE
 9931459 12.182

5.0
LITRE
 9931460 12.182

SS
 9940479
 1.265

SS
 9936332
 12.121

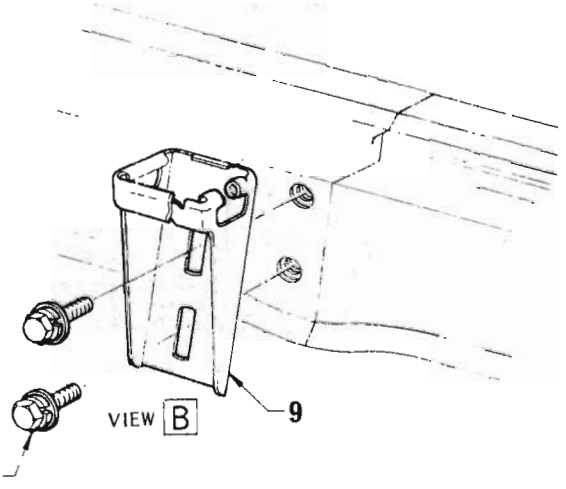
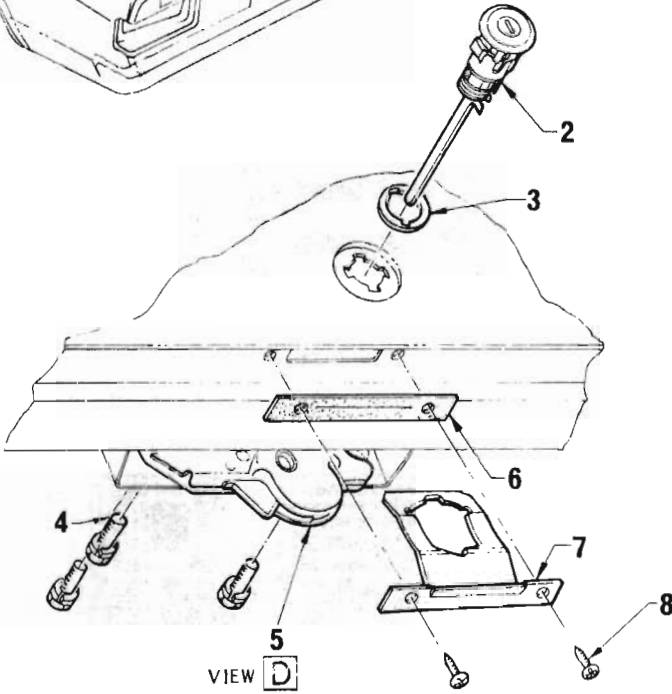
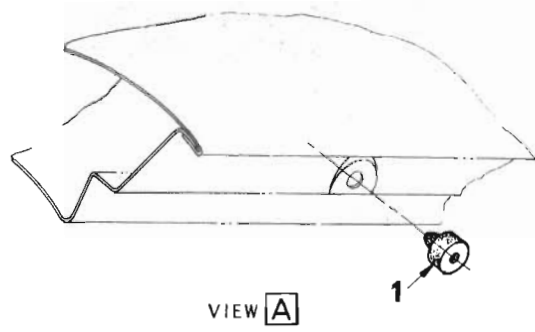
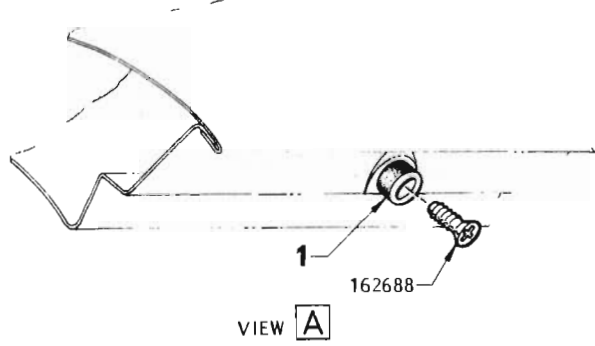
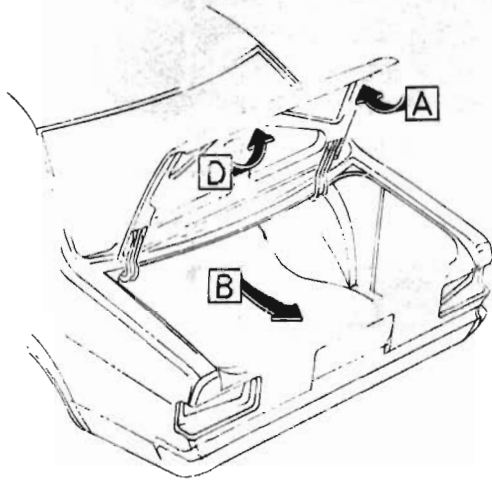
T
 2825918
 1.265/12.182

O
 2825919
 1.265/12.182

R
 2825920
 1.265/12.182

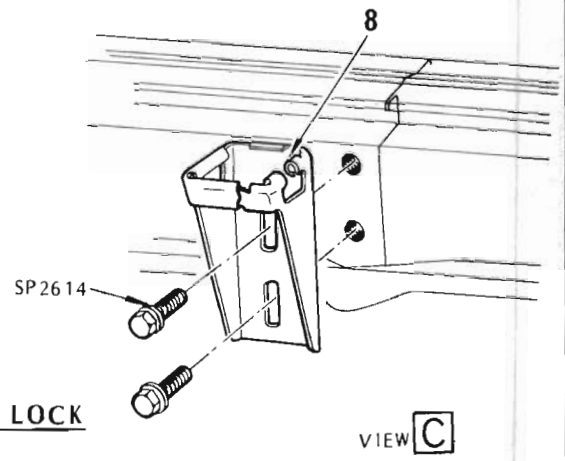
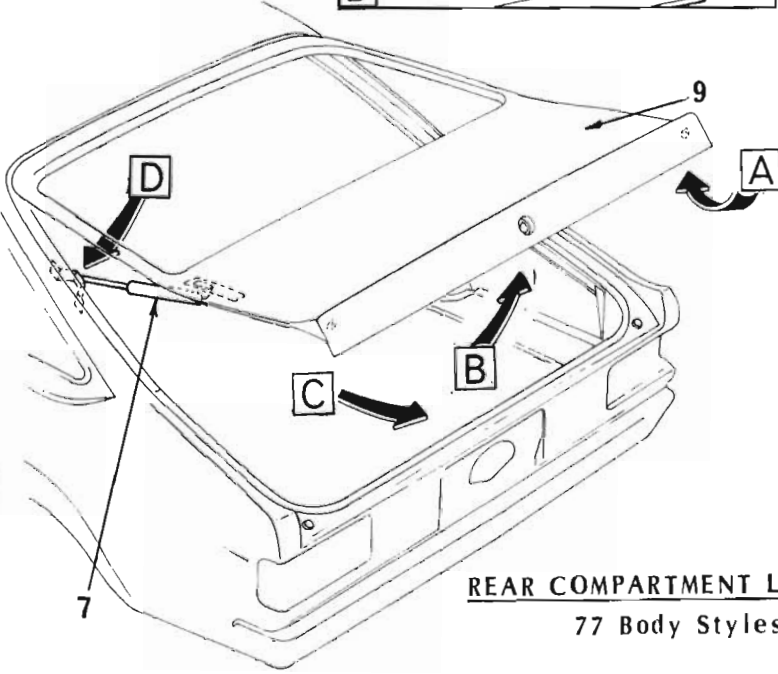
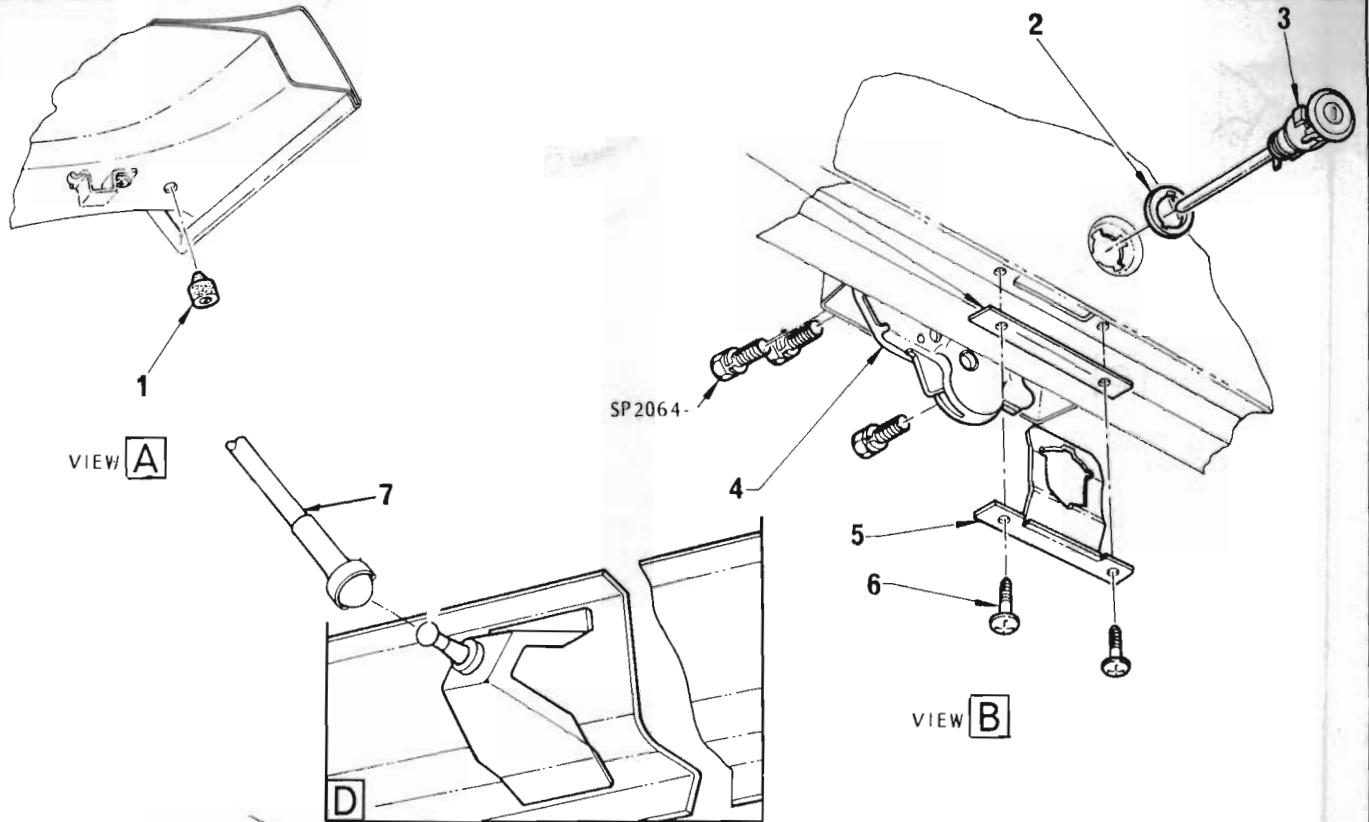
A
 2825921
 1.265/12.182

N
 2825922
 1.265/12.182



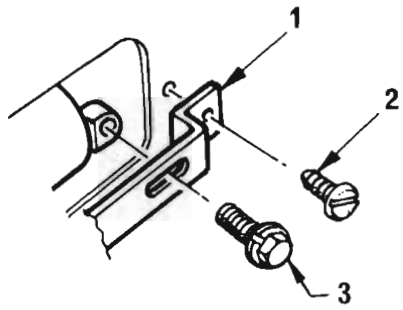
DECK LID LOCK
69 BODY STYLE

ILLUS. REF. NO.	PART NAME	GROUP	ILLUS. REF. NO.	PART NAME	GROUP
1.	BUMPER – Deck lid	12,212	6.	GASKET – Lock cylinder retainer	12,248
2.	BARREL & KEY ASSY.	12,248	7.	RETAINER – Lock cylinder	12,248
3.	GASKET – Lock cylinder	12,248	8.	SCREW – Retainer to inner panel	12,248
4.	BOLT – Lock to deck lid	12,242	9.	STRIKER	12,237
5.	LOCK ASSY. – Deck lid	12,242			

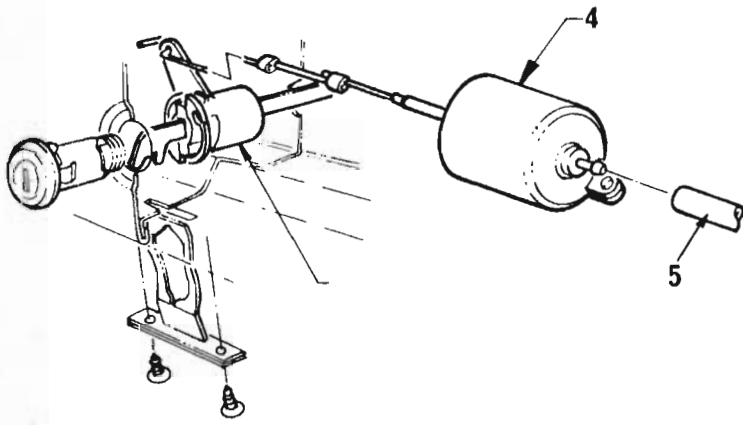
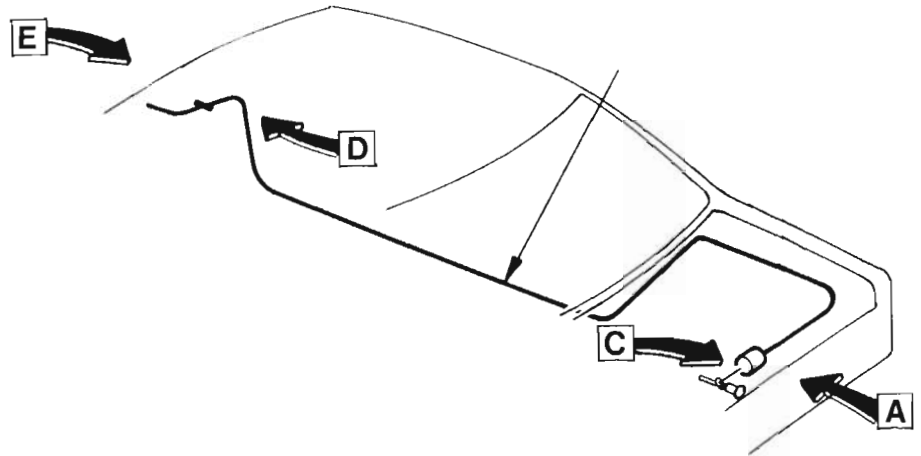


REAR COMPARTMENT LID LOCK
77 Body Styles

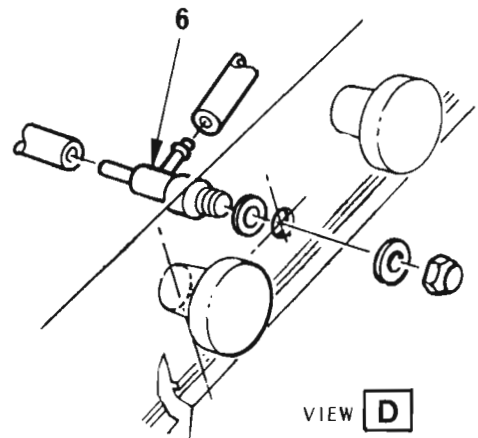
ILLUS REF. NO.	PART NAME	GROUP
1.	BUMPER — Rear compartment lid	12.212
2.	GASKET — Lock cylinder	12.248
3.	BARREL & KEY ASSEMBLY	12.248
4.	LOCK ASSY. — Rear compartment lid	12.242
5.	RETAINER — Lock cylinder	12.248
6.	SCREW — Retainer to inner panel	12.248
7.	SUPPORT ASSY. — Rear compartment lid balance	12.203
8.	STRICKER	12.237
9.	LID — Rear compartment	12.181



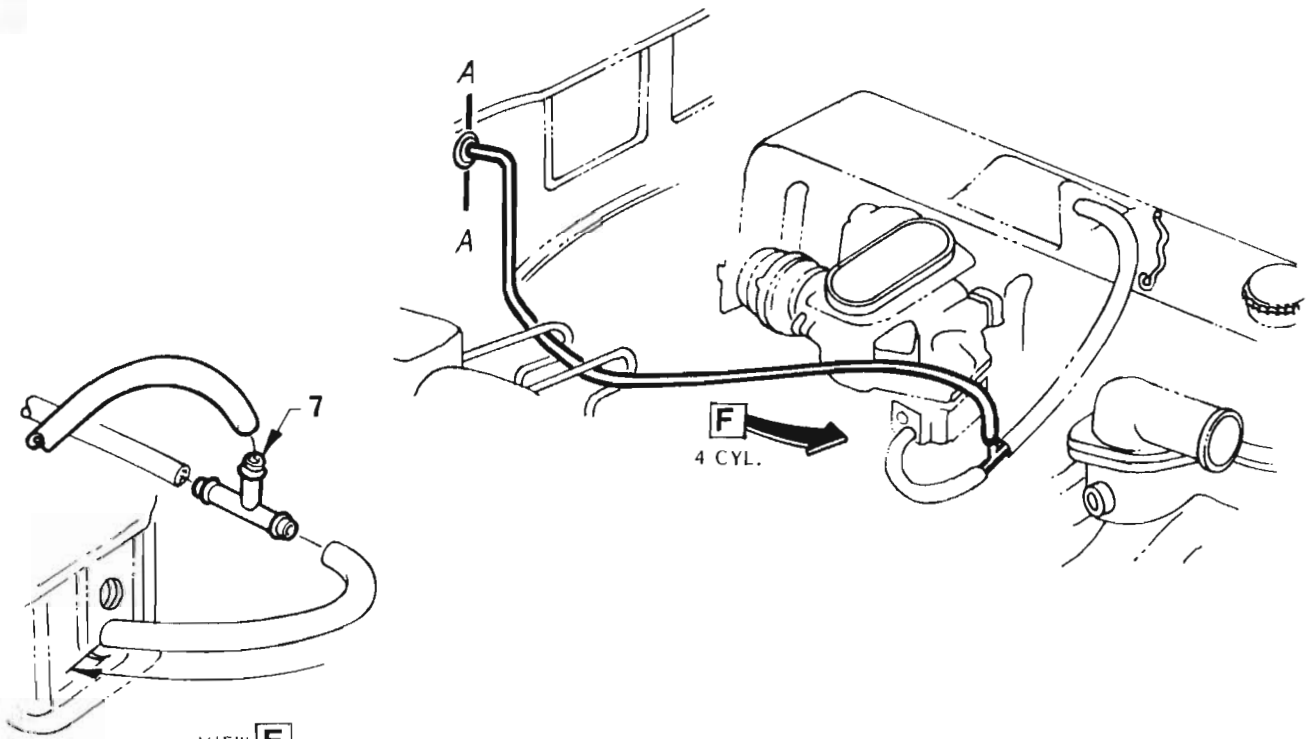
VIEW C



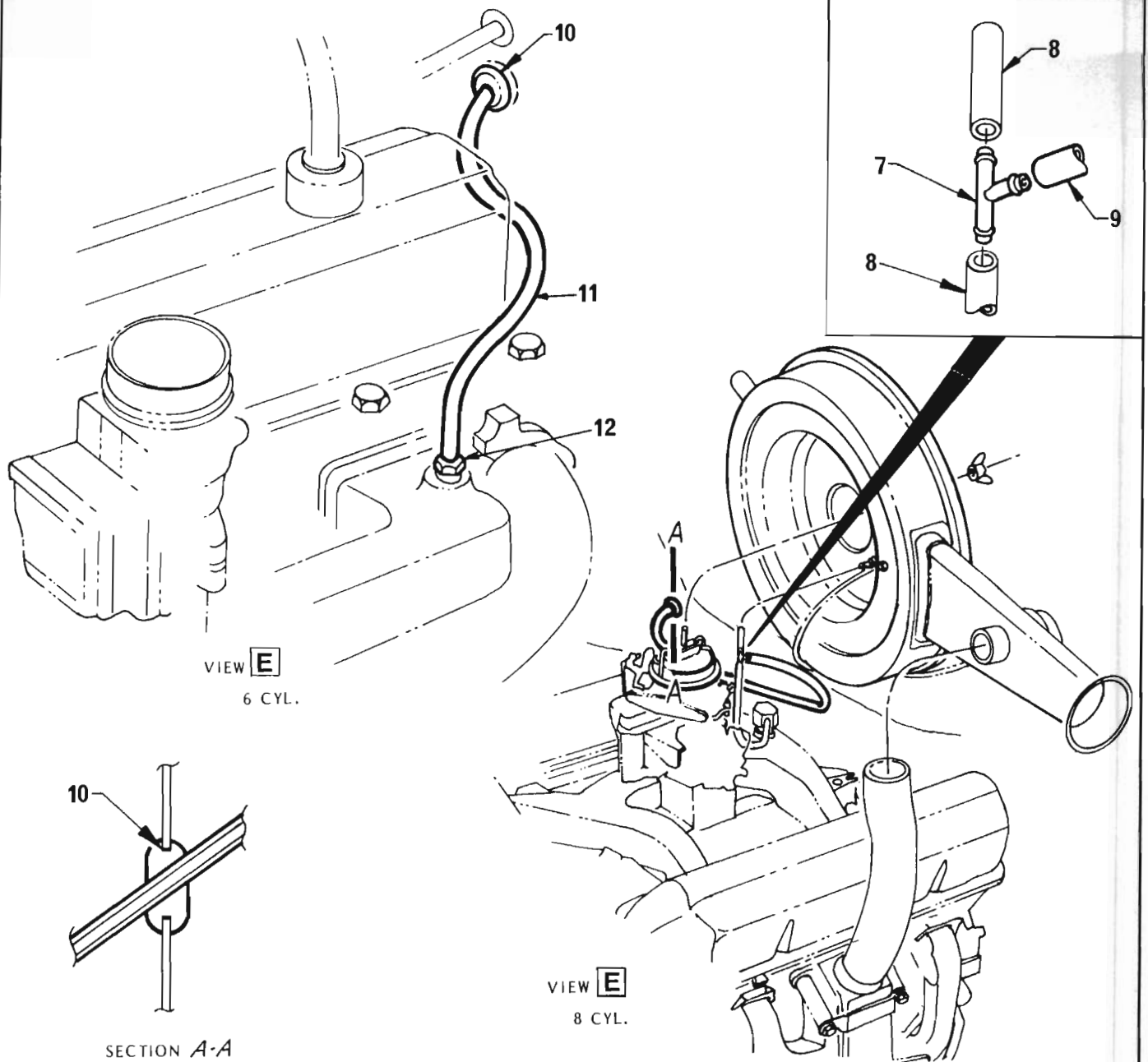
VIEW A



VIEW D



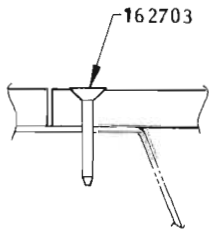
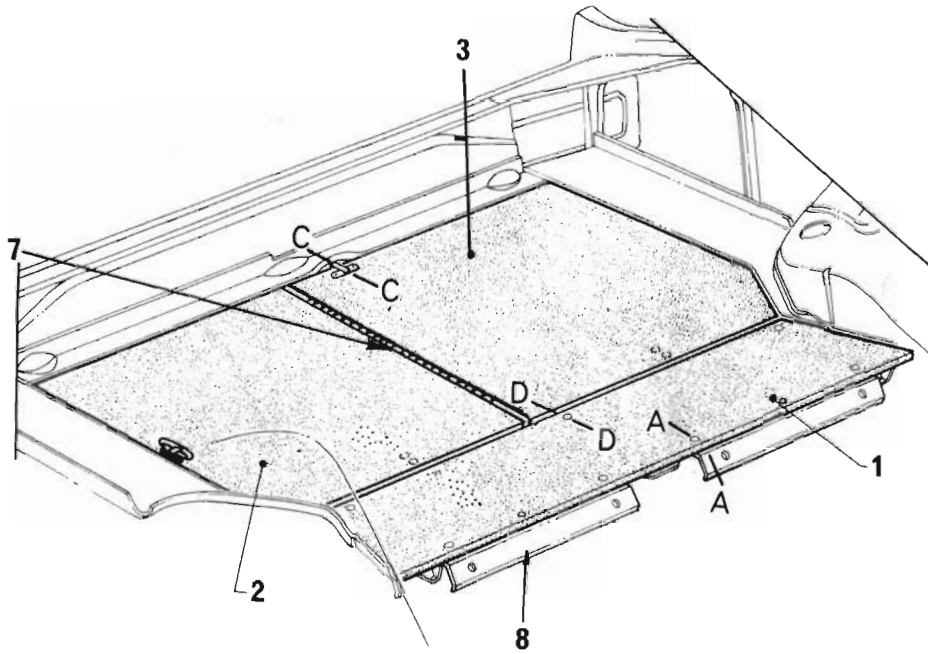
VIEW F
4 CYL.



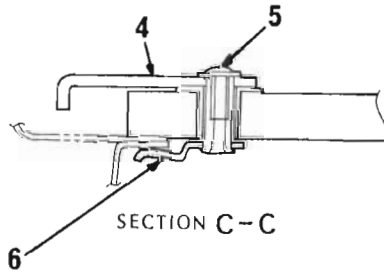
REMOTE CONTROL LOCK RELEASE PACKAGE – DECK LID

ILLUSTRATION ABOVE & OPPOSITE

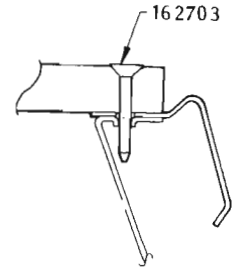
ILLUS. REF. NO.	PART NAME	GROUP
1.	PLATE – Solenoid mounting	12.243
2.	SCREW – Plate attaching	12.243
3.	BOLT – Solenoid to plate	12.243
4.	SOLENOID – Vacuum	12.243
5.	HOSE – Switch to solenoid	12.243
6.	SWITCH ASSY. – Vacuum	12.243
7.	CONNECTOR – Tee	12.243
8.	HOSE – Pre-heat	3.415
9.	HOSE – Tee to switch	12.243
10.	GROMMET – Hose thru dash	12.243
11.	HOSE – Manifold to switch	12.243
12.	ADAPTOR – Vacuum	3.265



SECTION D-D
3 PLACES



SECTION C-C

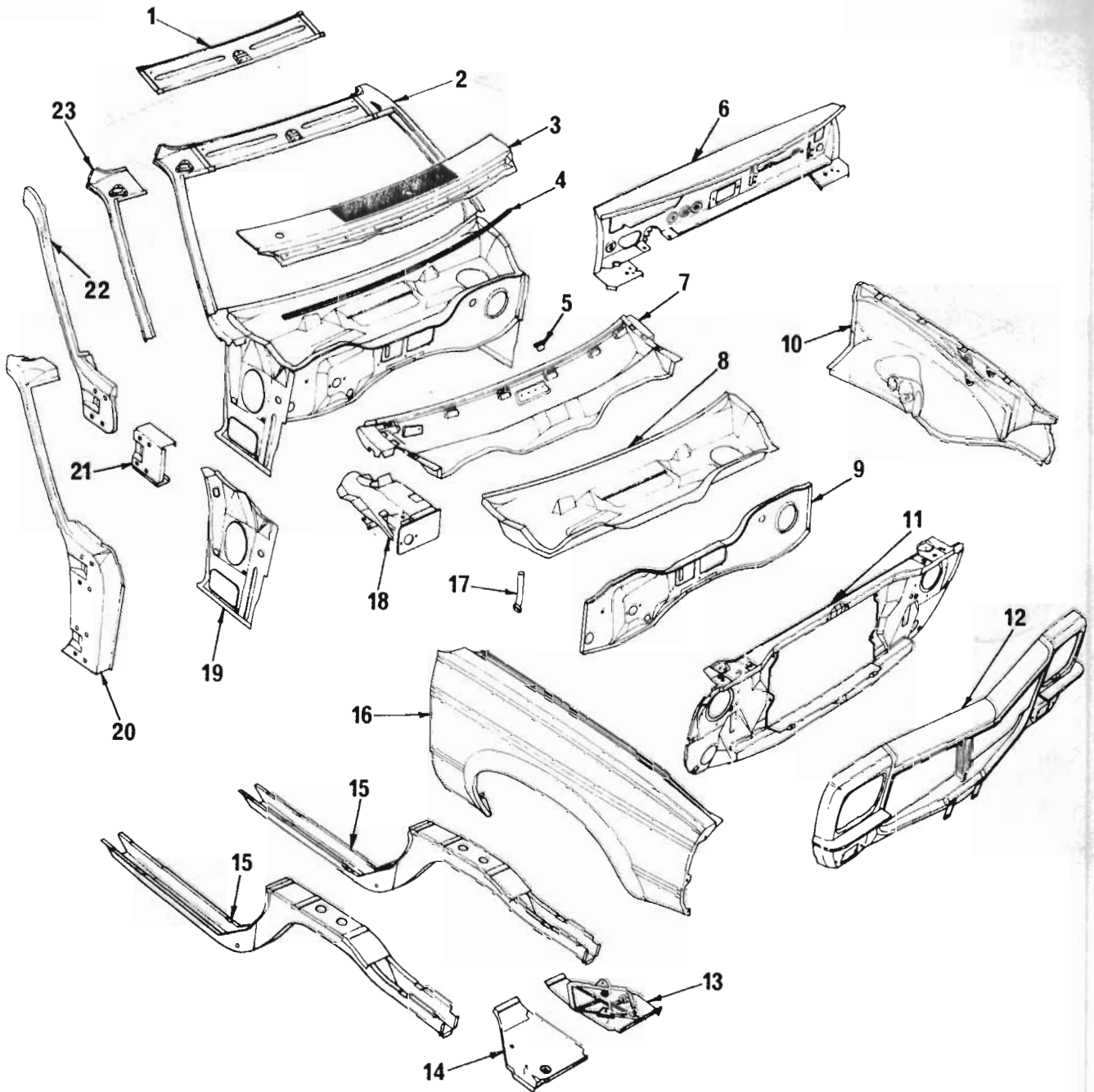


SECTION A-A
6 PLACES

TONNEAU FLOOR
77 BODY STYLE

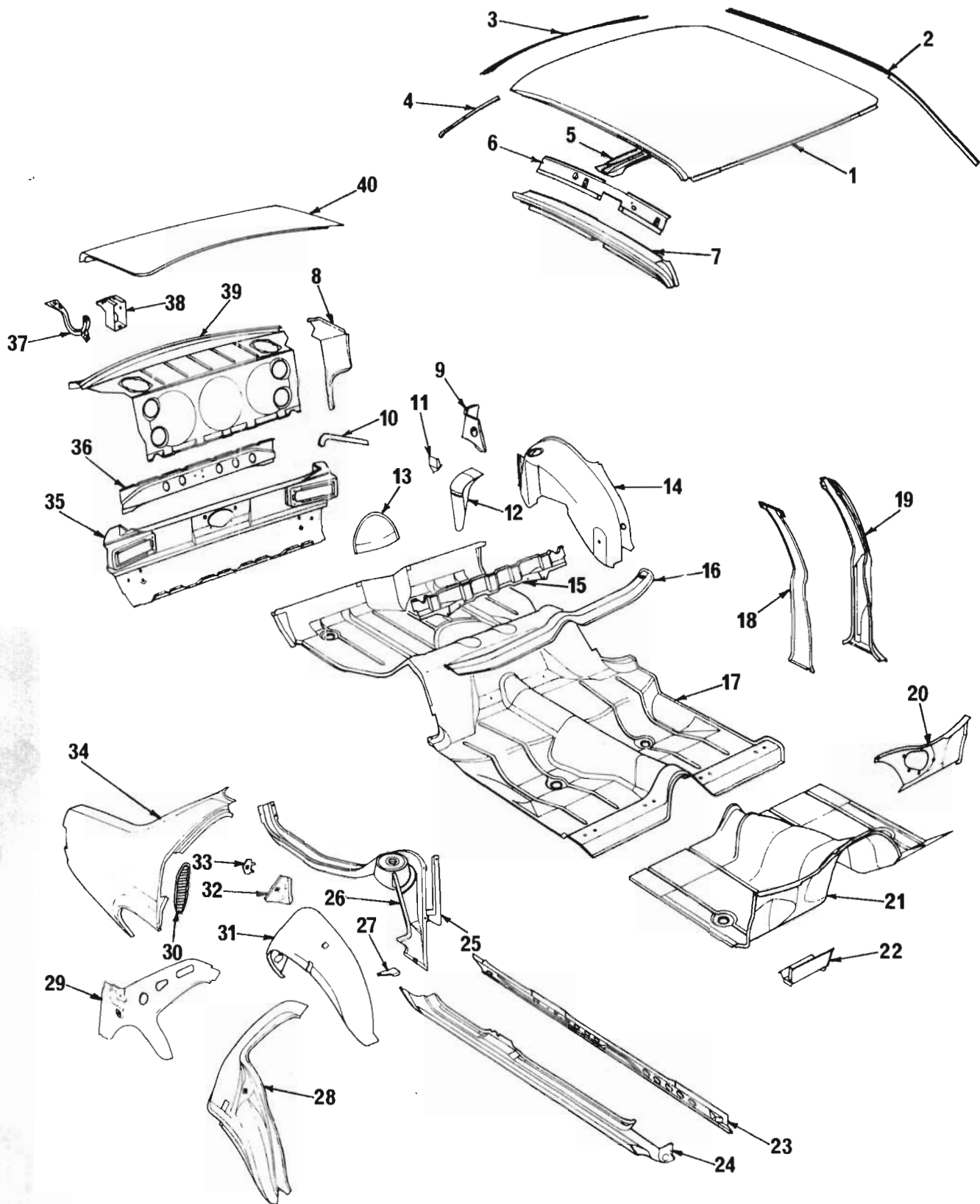
ILLUS. REF. NO.	PART NAME	GROUP
1.	TONNEAU FLOOR - Front	12.580
2.	TONNEAU FLOOR - Rear R.H.	12.580
3.	TONNEAU FLOOR - Rear L.H.	12.580
4.	HANDLE - Rear tonneau floor	12.581
5.	BOLT - Handle to floor	12.581
6.	CATCH ASSEMBLY	12.581
7.	HINGE - Tonneau floor	12.580
8.	SUPPORT - Filler board	11.628

TORANA "LX" PARTS CATALOGUE



FRONT END SHEET METAL

ILLUS. REF. NO.	PART NAME	GROUP	ILLUS. REF. NO.	PART NAME	GROUP
1.	FRAME - Windshield	12.807	13.	MEMBER - Frame side upper front, LH	12.980
2.	COWL ASSY. - Front end	12.803	14.	MEMBER - Frame side upper front, RH	12.980
3.	GRILLE - Shroud ventilator	10.307	15.	MEMBER ASSY. - Frame side	12.980
4.	LACING - Hood ledge	9.127	16.	FENDER ASSY. - Front	8.130
5.	SEAL - Ventilator grille	10.307	17.	TUBE - Plenum chanber drain	9.785
6.	PANEL ASSY. - Instrument	10.230	18.	BRACE - Instrument panel to dash	6.761
7.	PANEL ASSY. - Cowl top	12.805	19.	PANEL - Pillar inner, lower	12.805
8.	PANEL ASSY. - Plenum chamber	12.803	20.	PILLAR - Front body outer	12.805
9.	PANEL ASSY. - Dash	12.804	21.	REINFORCEMENT - Pillar, lower	12.805
10.	PANEL ASSY. - Front fender skirt	8.153	22.	REINFORCEMENT - Pillar, upper	12.805
11.	PANEL ASSY. - Radiator support	1.270	23.	PANEL - Pillar inner, upper	12.805
12.	PANEL ASSY. - Front end.....	1.266			



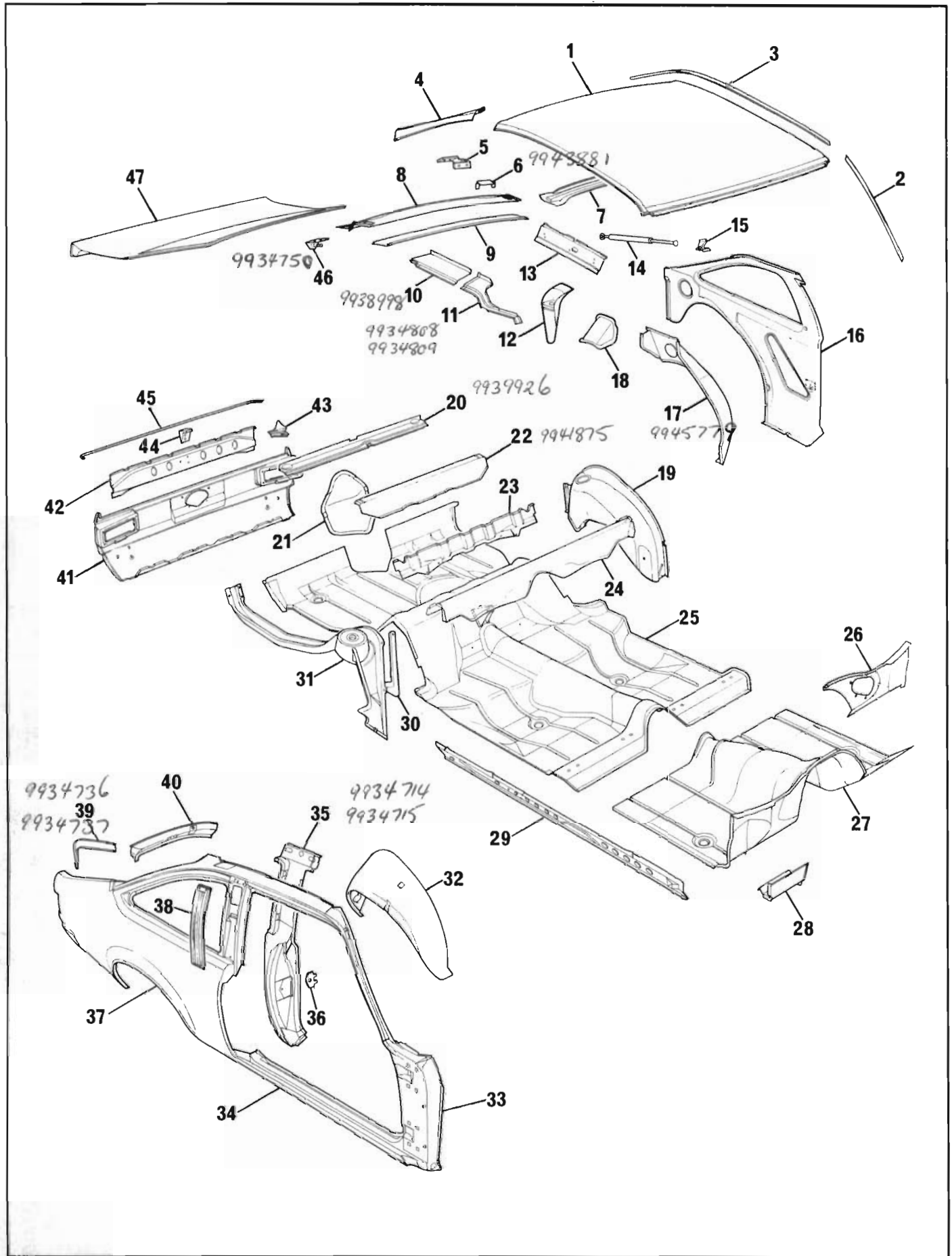
REAR SHEET METAL

69 Body Style

ILLUSTRATION OPPOSITE

ILLUS. REF. NO.	PART NAME	GROUP
1.	PANEL - Roof	12.810
2.	GUTTER - Roof drip side	12.811
3.	FRAME - Rear window	11.200
4.	GUTTER - Roof drip rear	12.811
5.	BOW - Roof	12.952
6.	RAIL - Roof side inner	12.956
7.	RAIL - Roof side outer	12.956
8.	EXTENSION - Panel	12.971
9.	BRACE - Rear shock absorber	12.984
10.	REINFORCEMENT - Rear compartment lid opening	12.971
11.	BRACE - Hinge bracket	12.184
12.	MOUNTING ASSEMBLY - Rear shock absorber	12.984
13.	PROTECTOR - Fuel tank filler pipe	3.003
14.	PANEL - Rear wheelhouse inner	12.944
15.	EXTENSION - Panel lower	12.971
16.	CROSSBAR - Underbody	12.982
17.	PAN - Rear floor	12.981
18.	PANEL ASSEMBLY - Centre pillar inner	12.491
19.	PANEL ASSEMBLY - Centre pillar outer	12.491
20.	EXTENSION - Front floor pan	12.972
21.	PAN - Front floor	12.972
22.	BRACE - Side member to inner rocker panel	12.982
23.	PANEL ASSEMBLY - Rocker inner	12.934
24.	PANEL - Rocker outer	12.934
25.	BRACKET - Upper arm, front	5.382
26.	MEMBER ASSEMBLY - Side	12.982
27.	SEAL - To wheelhouse outer panel	12.948
28.	PANEL - Rear body lock pillar	12.942
8/14/29.	PANEL ASSEMBLY - Quarter inner	12.941
30.	VALVE ASSEMBLY - Pressure relief	12.942
31.	PANEL - Rear wheelhouse outer	12.944
32.	REINFORCEMENT - Rear body lock pillar	12.942
33.	PLATE - Door lock striker anchor	10.571
34.	PANEL ASSEMBLY - Quarter outer	12.940
35.	PANEL ASSEMBLY - Rear end outer	12.966
36.	PANEL ASSEMBLY - Rear end inner	12.966
37.	HINGE ASSEMBLY - Deck lid	12.184
38.	BRACKET ASSEMBLY - Hinge mounting	12.184
39.	PANEL ASSEMBLY - Rear compartment front	12.971
40.	LID ASSEMBLY - Deck lid	12.181

TORANA "LX" PARTS CATALOGUE

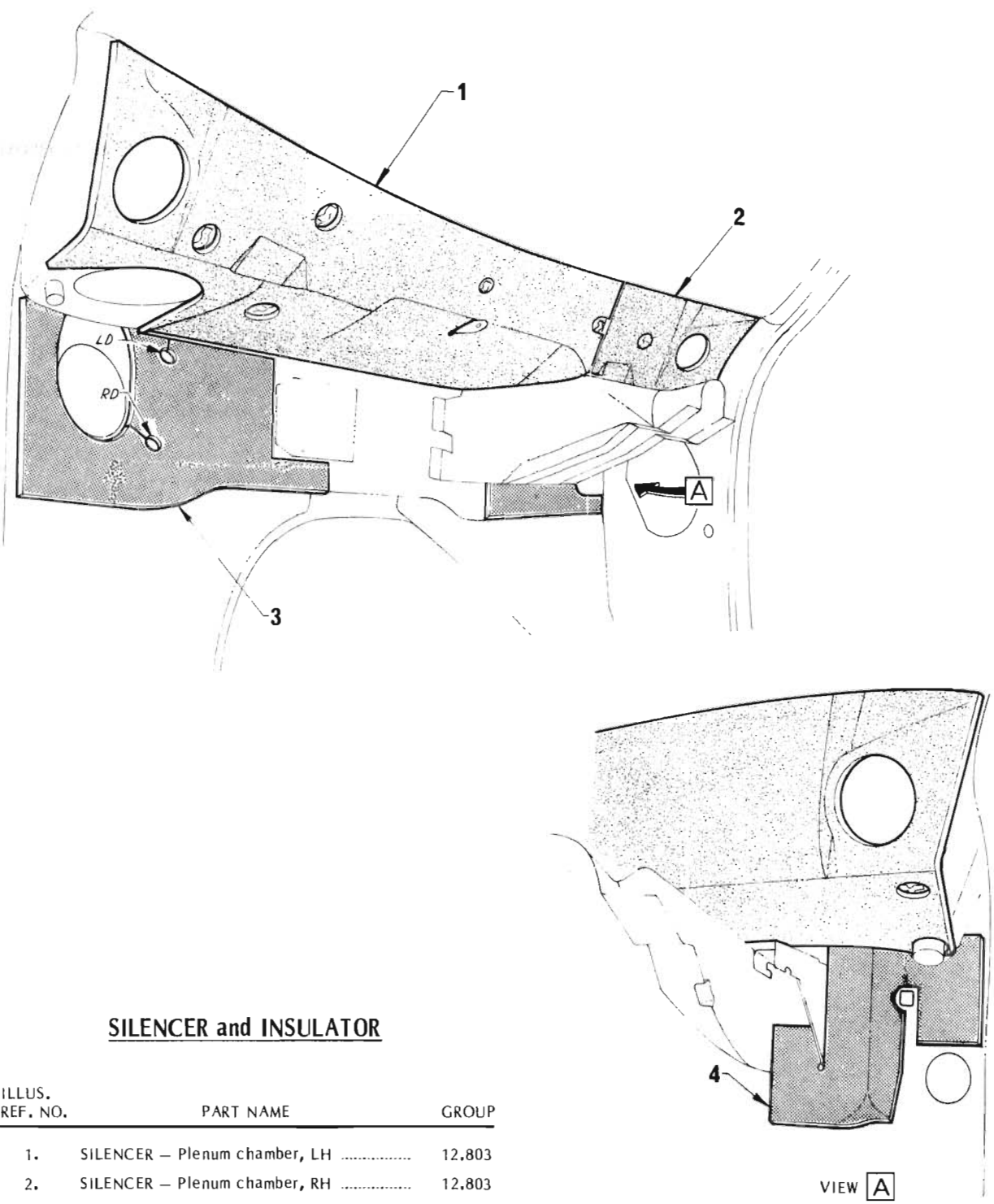


REAR SHEET METAL

77 Body Style

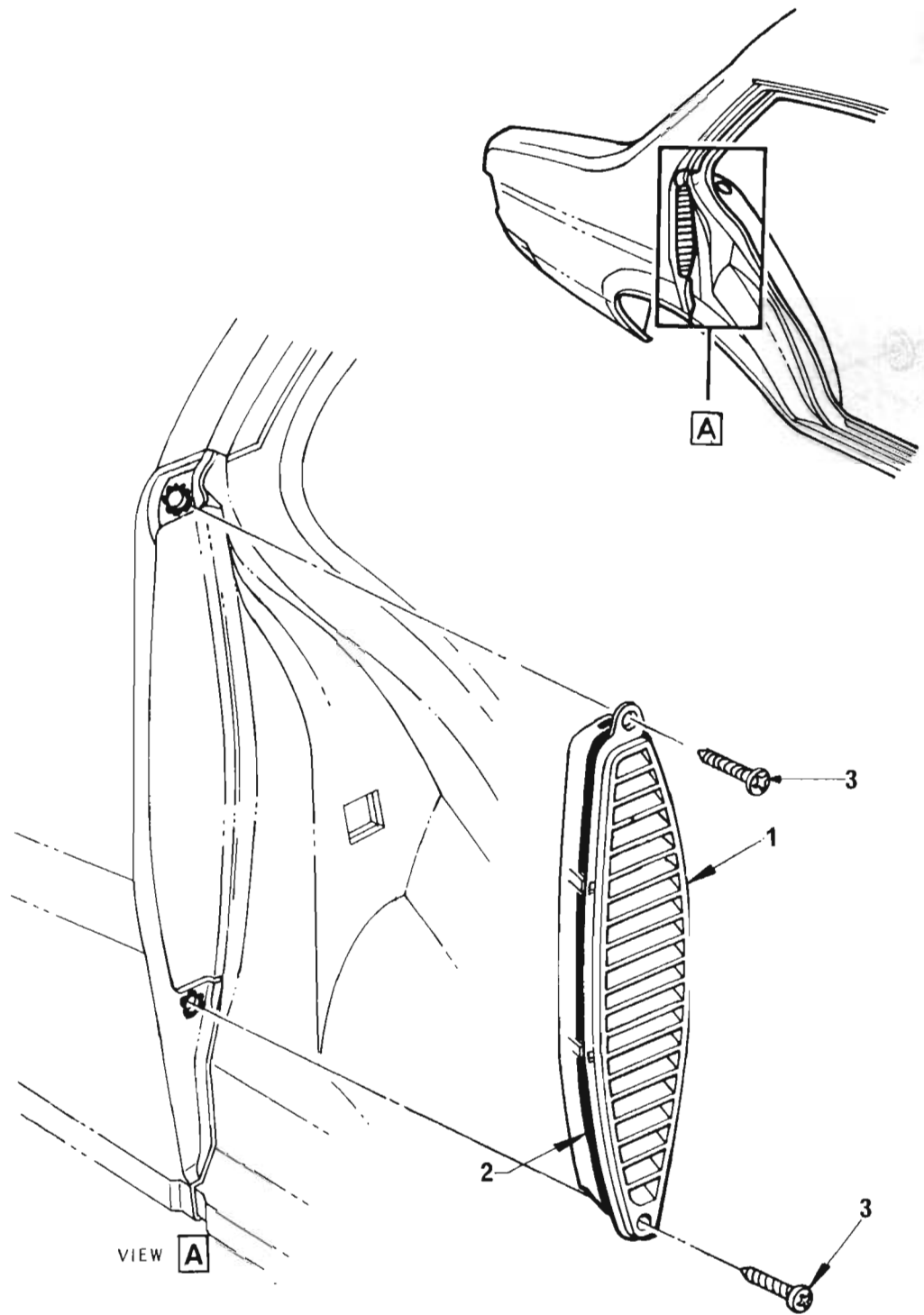
ILLUSTRATION OPPOSITE

ILLUS. REF. NO.	PART NAME	GROUP
1.	PANEL - Roof	12.810
2.	GUTTER - Roof drip front	12.811
3.	GUTTER - Roof drip rear	12.811
4.	EXTENSION - Roof panel	12.810
5.	HINGE - Rear compartment lid	12.181
6.	COVER - Rear compartment lid hinge	
7.	BOW - Roof	12.952
8/9.	RAIL ASSEMBLY - Roof rear	12.956
10.	EXTENSION - Tonneau floor side sill	
11.	SILL - Tonneau floor side	
12.	MOUNTING ASSEMBLY - Rear shock absorber	12.984
13.	RAIL - Roof side inner	12.956
14.	SUPPORT - Counter balance	12.203
15.	BRACKET - Compartment lid hold open	12.184
16.	PANEL - Rear quarter inner	12.941
17.	BRACE - Rear body	12.940
18.	BRACE - Rear shock absorber	12.984
19.	PANEL - Rear wheelhouse inner	12.944
20.	CROSS BAR - Tonneau floor rear	12.580
21.	PROTECTOR - Fuel tank filler pipe	3.003
22.	CROSS BAR - Tonneau floor front	
23.	EXTENSION - Panel lower	12.971
24.	CROSS BAR - Underbody	12.982
25.	PAN - Rear floor	12.981
26.	EXTENSION - Front floor pan	12.972
27.	PAN - Front floor	12.972
28.	BRACE - Side member to inner rocker panel	12.982
29.	PANEL ASSEMBLY - Rocker inner	12.934
30.	BRACKET - Upper arm, front	5.382
31.	MEMBER ASSEMBLY - Side	12.982
32.	PANEL - Rear wheelhouse outer	12.944
33.	PILLAR - Front body outer	12.805
34.	PANEL - Rocker outer	12.934
35.	PANEL ASSEMBLY - Body lock pillar	
36.	PLATE - Door lock striker anchor	10.571
37.	PANEL ASSEMBLY - Quarter outer	12.940
38.	GRILLE - Relief valve	12.942
39.	REINFORCEMENT - Rear compartment lid opening	
40.	REINFORCEMENT - Inner panel upper	12.941
41/45.	PANEL ASSEMBLY - Rear end outer	12.966
42.	PANEL ASSEMBLY - Rear end inner	12.966
43.	EXTENSION - Outer panel	12.966
44.	STRIKER - Rear compartment lid lock	12.237
46.	BRACKET	
47.	LID - Rear compartment	12.181



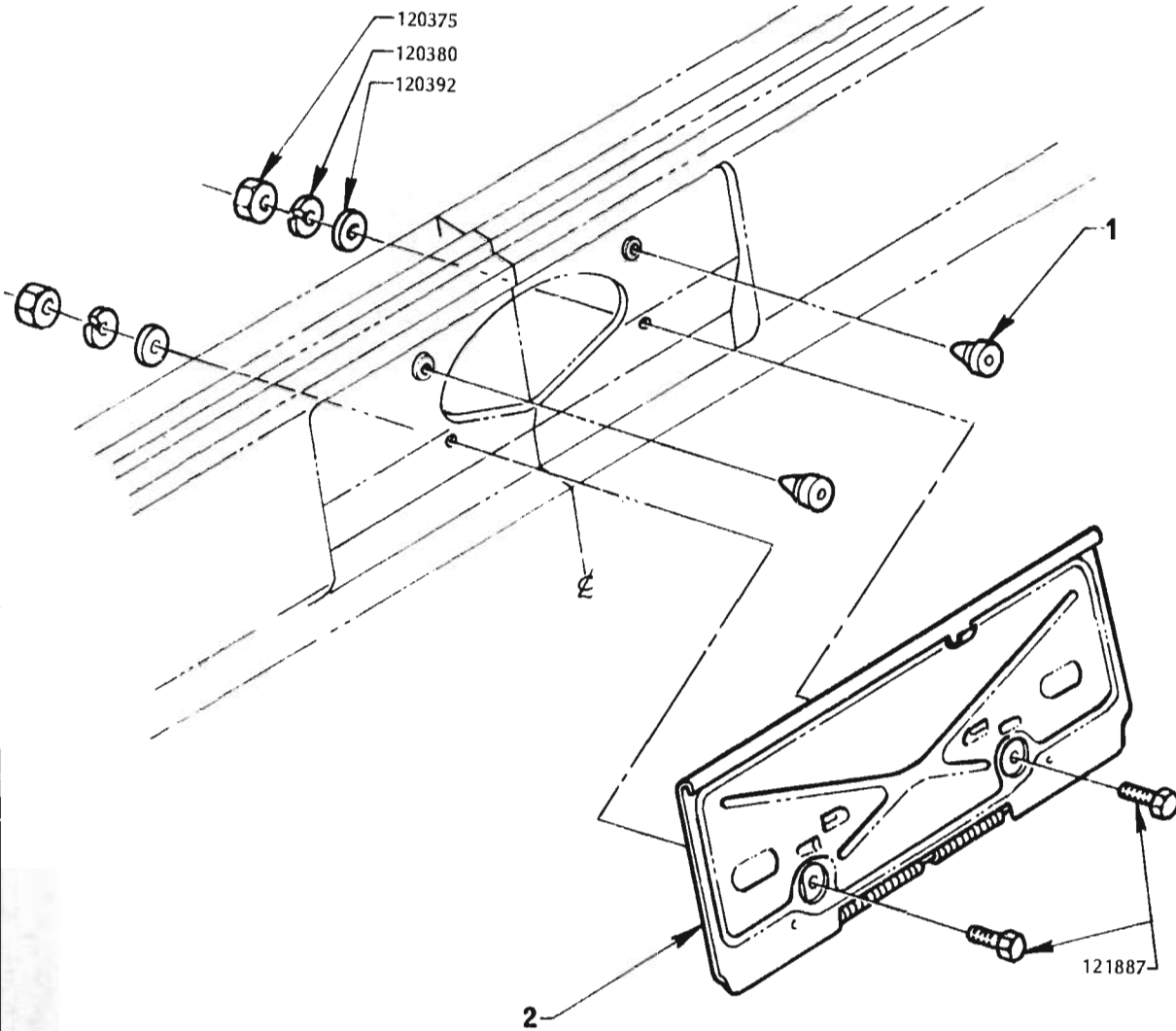
SILENCER and INSULATOR

ILLUS. REF. NO.	PART NAME	GROUP
1.	SILENCER – Plenum chamber, LH	12.803
2.	SILENCER – Plenum chamber, RH	12.803
3.	INSULATOR ASSY. – Dash panel, LH	15.280
4.	INSULATOR ASSY. – Dash panel, RH	15.280



REAR QUARTER RELIEF VALVE

ILLUS. REF. NO.	PART NAME	GROUP
1.	VALVE ASSY. — Pressure relief	12.942
2.	GASKET — Pressure relief valve	12.942
3.	SCREW — Valve to quarter panel	12.942



FUEL TANK FILLER DOOR

ILLUS. REF. NO.	PART NAME	GROUP
1.	BUMPER - Filler door	12.966
2.	DOOR ASSY. - Filler	12.966

TORANA "LX" PARTS CATALOGUE

GROUP	DESCRIPTION	SIDE	PART No.	QTY.	BODY STYLE	UG	UH	VB	VC	VD	
12.009	ASH TRAY - Instrument panel										
	ASH TRAY ASSY.		9929839	1	69	X		X			
	ASH TRAY ASSY.		9941395	1	69,77		X		X		
	ASH TRAY ASSY.		9935996	1	69					X	
	ASH TRAY ASSY.		9935997	1	77					X	
12.010	PANEL - Instrument panel ash tray mounting										
	PANEL		9936921	1	69,77	X	X	X	X	X	
	SCREW		SP2111	2	69,77	X	X	X	X	X	
12.045	ASH TRAY - Rear door										
	ASH TRAY ASSY.		9932173	2	69	X	X	X	X	X	
12.045	ASH TRAY - Rear quarter armrest										
	ASH TRAY ASSY.		2825827	2	77		X		X	X	
12.050	SEAL, CLIP - Rear ashtray										
	SEAL		2820411	2	69	X	X	X	X	X	
	CLIP - Ash tray retaining		2820398	2	69	X	X	X	X	X	
12.075	MOULDING - Roof reveal										
	MOULDING - Side	LH	2823935	1	69	X		X			
		RH	2823936	1	69	X		X			
12.112	MOULDING - Front door										
	MOULDING - Side		9940754	2	69	X	X	X	X	X	
	BOLT - Moulding to door		159240	2	69	X	X	X	X	X	
	WASHER - Moulding to door		446121	4	69	X	X	X	X	X	
	SCREW - Moulding to door		SP2495	12	69	X	X	X	X	X	
	MOULDING - Reveal, upper	LH	9939533	1	69		X		X	X	
			RH	9939534	1	69		X		X	X
	MOULDING - Reveal, lower (Without mirror)	LH	9939537	1	69		X		X	X	
			RH	9939538	1	69		X		X	X
	MOULDING - Reveal, lower front (With mirror)	LH	9937547	1	69		X		X	X	
			RH	9937546	1	69		X		X	X
	MOULDING - Reveal, lower rear (With mirror)	LH	9939535	1	69		X		X	X	
			RH	9939536	1	69		X		X	X
	PLATE - Reveal moulding to door panel			2815551	2	69		X		X	X
	CLIP - Plate to door panel			SP1606	2	69		X		X	X
	SCREW - Reveal moulding to door panel			SP2448	2	69		X		X	X
	WASHER - Reveal moulding to door panel			7432966	2	69		X		X	X
	RIVET - Reveal moulding to door frame			SP2591	24	69		X		X	X
	SCREW - Reveal moulding to door panel			SP2495	24	69		X		X	X
	CLIP - Reveal moulding to door			9938151	24	69		X		X	X
	MOULDING PACKAGE - Reveal (With mirror)	LH		9940651	1	69		X		X	X
	MOULDING - Side			9931323	2	77		X		X	X
	BOLT - Moulding to door			159240	2	77		X		X	X
	WASHER - Moulding to door			446121	4	77		X		X	X
	SCREW - Moulding to door			SP2495	16	77		X		X	X
	MOULDING - Reveal, upper	LH		9937535	1	77		X		X	X
			RH	9937534	1	77		X		X	X
	MOULDING - Reveal, lower (Without mirror)	LH		9937779	1	77		X		X	X
			RH	9937780	1	77		X		X	X
	MOULDING - Reveal, lower front (With mirror)	LH		9937547	1	77		X		X	X
			RH	9937546	1	77		X		X	X
	MOULDING - Reveal lower rear (With mirror)	LH		9937537	1	77		X		X	X
			RH	9937538	1	77		X		X	X
	PLATE - Reveal moulding to door panel			2815551	2	77		X		X	X
	SCREW - Reveal moulding to door panel			SP2448	2	77		X		X	X
	WASHER - Reveal moulding to door panel			7432966	2	77		X		X	X
	RIVET - Reveal moulding to door panel			SP2591	28	77		X		X	X
SCREW - Reveal moulding to door panel			SP2495	28	77		X		X	X	
CLIP - Reveal moulding to door			9938151	28	77		X		X	X	
MOULDING PACKAGE - Reveal (With mirror)	LH		9940653	1	77		X		X	X	

TORANA "LX" PARTS CATALOGUE

GROUP	DESCRIPTION	SIDE	PART No.	QTY.	BODY STYLE	UG	UH	VB	VC	VD	
12.112	TRANSFER - Door										
	TRANSFER - Black & Silver	LH	9935691	1	77					X	
		RH	9935692	1	77					X	
	TRANSFER - Orange & Red	LF	9935697	1	77					X	
		RH	9935698	1	77					X	
	TRANSFER - Black & Gold	LH	9935703	1	77					X	
	RH	9935704	1	77					X		
12.113	MOULDING - Centre pillar										
	MOULDING - Side reveal	LH	9939543	1	69		X		X	X	
		RH	9939544	1	69		X		X	X	
12.114	MOULDING - Rear door										
	MOULDING - Side	LH	9940757	1	69	X	X	X	X	X	
		RH	9940756	1	69	X	X	X	X	X	
	RETAINER - Moulding to door		9930612	2	69	X	X	X	X	X	
	NUT - Moulding to door		SP2443	2	69	X	X	X	X	X	
	SCREW - Moulding to door		SP2495	1	69	X	X	X	X	X	
	MOULDING - Reveal, upper	LH	9939539	1	69		X		X	X	
		RH	9939540	1	69		X		X	X	
	MOULDING - Reveal, lower	LH	9939541	1	69		X		X	X	
		RH	9939542	1	69		X		X	X	
	PLATE - Reveal moulding to door panel		2815551	2	69		X		X	X	
	CLIP - Plate to door panel		SP1606	2	69		X		X	X	
	SCREW - Reveal moulding to door panel		190075	2	69		X		X	X	
	WASHER - Reveal moulding to door panel		7432966	2	69		X		X	X	
	RIVET - Reveal moulding to door frame		SP2591	A.R.	69		X		X	X	
	SCREW - Reveal moulding to door panel		SP2495	A.R.	69		X		X	X	
	CLIP - Reveal moulding to door		9938151	24	69		X		X	X	
	12.116	MOULDING - Rear quarter									
		MOULDING - Quarter upper (two tone paint)	LH	9928441	1	69		X	X	X	
			RH	9928442	1	69		X	X	X	
		MOULDING - Quarter upper (vinyl roof)	LH	9933723	1	69		X	X	X	X
			RH	9933722	1	69		X	X	X	X
CLIP - Moulding (stud type)			9938151	4	69		X	X	X	X	
STUD - Moulding (two tone paint & vinyl roof)			9930886	2	69		X	X	X	X	
CLIP - Moulding (screw type) (two tone paint & vinyl roof)			7433488	A.R.	69		X	X	X	X	
MOULDING - Quarter side		LH	9940753	1	69		X	X	X	X	
		RH	9940752	1	69		X	X	X	X	
SCREW - Moulding			SP2495	10	69		X	X	X	X	
STUD - No. 6-32 x 3/4"			9937627	2	69		X	X	X	X	
MOULDING - Quarter side, front		LH	9940307	1	77			X		X	
		RH	9940308	1	77			X		X	
MOULDING - Quarter side rear		LH	9940305	1	77			X		X	
		RH	9940306	1	77			X		X	
SCREW - Moulding			SP2495	A.R.	77			X		X	
STUD - No. 6 - 32 X 3/4"			9937627	A.R.	77			X		X	
NUT - Stamped No. 6 - 32			SP2443	A.R.	77			X		X	
MOULDING - Reveal, upper		LH	9937539	1	77			X		X	
		RH	9937540	1	77			X		X	
MOULDING - Reveal, lower		LH	9937541	1	77			X		X	
		RH	9937542	1	77			X		X	
SCREW - Reveal moulding			SP2192	4	77			X		X	
SCREW - Reveal moulding			SP2495	A.R.	77			X		X	
CLIP - Reveal moulding			9938151	24	77			X		X	
MOULDING - Tail lamp reveal			9928509	2	69			X		X	
CLIP - Moulding			SP2438	12	69			X		X	
CLIP - Tail lamp reveal moulding			SP1606	2	69			X		X	

TORANA "LX" PARTS CATALOGUE

GROUP	DESCRIPTION	SIDE	PART No.	QTY.	BODY STYLE	UG	UH	VB	VC	VD	
12.116	TRANSFER - Rear quarter										
	TRANSFER - Black & Silver	LH	9935689	1	77					X	
		RH	9935690	1	77					X	
	TRANSFER - Orange & Red	LH	9935695	1	77					X	
		RH	9935696	1	77					X	
	TRANSFER - Black & Gold	LH	9935701	1	77					X	
		RH	9935702	1	77					X	
12.121	TRANSFER - Rear end panel										
	TRANSFER - "SS"		9936332	1	77					X	
12.181	LID - Deck										
	LID ASSEMBLY - Exc. 5 Litre Eng.		9935672 (9929672)	1	69	X	X	X	X	X	
	LID ASSEMBLY - 5 Litre Eng.		9929673	1	69					X	
12.181	LID - Rear compartment										
	LID		9934741	1	77		X		X	X	
12.182	LETTER, PLATE - Deck & rear compartment lid name										
	LETTER "T"		2825918	1	69, 77			X	X	X	
	LETTER "O"		2825919	1	69, 77			X	X	X	
	LETTER "R"		2825920	1	69, 77			X	X	X	
	LETTER "A"		2825921	2	69, 77			X	X	X	
	LETTER "N"		2825922	1	69, 77			X	X	X	
	CLIP - Letter attaching		SP2419	12	69, 77			X	X	X	
	PLATE - Engine size name (1900)		177730	1	69, 77	X	X				
	PLATE - Engine size name (2850)		9928682	1	69			X			
	PLATE - Engine size name (3300)		9928928	1	69, 77			X	X	X	
	PLATE - Engine size name (4.2 Litre)		9931459	1	69, 77			X	X	X	
	PLATE - Engine size name (5.0 Litre)		9931460	1	77					X	
	CLIP - Name plate attaching		SP1606	2	69, 77			X	X	X	
	12.184	HINGE, BRACKET - Deck & rear compartment lid									
HINGE ASSEMBLY			7449753	2	69	X	X	X	X	X	
BOLT - Hinge to deck lid			SP2614	4	69	X	X	X	X	X	
BRACKET ASSY. - Hinge mounting		LH	2824029	1	69	X	X	X	X	X	
		RH	2824030	1	69	X	X	X	X	X	
BRACE - Hinge bracket		LH	2824211	1	69	X	X	X	X	X	
		RH	2824212	1	69	X	X	X	X	X	
HINGE ASSEMBLY		LH	9938945	1	77		X		X	X	
		RH	9938946	1	77		X		X	X	
BOLT - Hinge to lid			SP2511	4	77		X		X	X	
BOLT - Hinge to body			SP2511	4	77		X		X	X	
BRACKET - Lid to body		LH	9934857	1	77		X		X	X	
		RH	9934858	1	77		X		X	X	
BRACKET - Lid hold open			9934750	2	77		X		X	X	
BOLT - Bracket to lid			SP2614	4	77		X		X	X	
12.186		PIN - Deck lid hinge									
		PIN		7408627	2	69	X	X	X	X	X
12.187	ROD - Deck lid torque										
	ROD	LH	2824699	1	69	X	X	X	X	X	
		RH	2824698	1	69	X	X	X	X	X	
12.203	SUPPORT - Rear compartment lid										
	SUPPORT ASSEMBLY - Counter balance		9936091	2	77		X		X	X	
12.212	BUMPER - Deck & rear compartment lid										
	BUMPER		2809447	2	69, 77	X	X	X	X	X	
12.237	STRIKER - Deck & rear compartment lid lock										
	STRIKER		2810483	1	69	X	X	X	X	X	
	STRIKER		9934749	1	77		X		X	X	
	BOLT - Striker to panel		SP2614	2	69, 77	X	X	X	X	X	

TORANA "LX" PARTS CATALOGUE

GROUP	DESCRIPTION	SIDE	PART No.	QTY.	BODY STYLE	UG	UH	VB	VC	VD
12.242	LOCK - Deck & rear compartment lid									
	LOCK ASSEMBLY		7421890	1	69, 77	X	X	X	X	X
	PLATE - Lock anchor		2810326	1	69	X	X	X	X	X
	PLATE - Lock anchor		9934748	1	77		X		X	X
	BOLT - Lock to lid		SP2064	3	69, 77	X	X	X	X	X
	NUT - Lock to lid		9419938	3	69, 77	X	X	X	X	X
12.243	LOCK RELEASE PACKAGE - Deck lid, remote control (Taxi Equipment)									
	LOCK RELEASE PACKAGE		9941423	1	69	X		X		
	SWITCH ASSY. - Vacuum		2824147	1	69	X		X		
	SOLENOID - Vacuum		9941444	1	69	X		X		
	PLATE - Solenoid mounting		9942444	1	69	X		X		
	BOLT - Solenoid to plate		SP2047	2	69	X		X		
	SCREW - Plate attaching		9426105	2	69	X		X		
	CLUTCH ASSY. - Lock		2824239	1	69	X		X		
	HOSE - Manifold to switch - 6 Cyl. Eng. exc. Air Cond.		9941425	1	69			X		
	HOSE - Tee connector to switch		9941425	1	69	X		X		
	HOSE - Switch to solenoid		9941424	1	69	X		X		
	CONNECTOR - Tee - 4 Cyl. Eng.		9930241	1	69	X				
	CONNECTOR - Tee - 6 Cyl. Eng. Air Cond.		9930241	1	69			X		
	CONNECTOR - Tee - 8 Cyl. Eng.		3028858	1	69			X		
	GROMMET - Hose through dash		7409643	1	69	X		X		
CLIP - Hose		7413370	4	69	X		X			
12.248	BARREL & KEY - Deck & rear compartment lid									
	BARREL & KEY ASSEMBLY - (Coded)		2815103	1	69, 77	X	X	X	X	X
	SERVICE PACKAGE - Uncoded		M37125	1	69, 77	X	X	X	X	X
	GASKET - Lock cylinder		4780518	1	69, 77	X	X	X	X	X
	RETAINER - Lock cylinder		7432669	1	69	X	X	X	X	X
	RETAINER - Lock cylinder		9934863	1	77		X		X	X
	GASKET - Lock cylinder retainer		7432672	1	69, 77	X	X	X	X	X
	SCREW - Retainer to inner panel		7426400	2	69, 77	X	X	X	X	X
12.269	WEATHERSTRIP - Deck & rear compartment lid									
	WEATHERSTRIP		2807045	1	69	X	X	X	X	X
	WEATHERSTRIP		9934867	1	77		X		X	X
12.491	PANEL - Centre pillar									
	PANEL ASSY. - Centre pillar inner	LH	2823357	1	69	X	X	X	X	X
		RH	2823356	1	69	X	X	X	X	X
	PANEL ASSY. - Centre pillar outer	LH	2824577	1	69	X	X	X	X	X
		RH	2824578	1	69	X	X	X	X	
12.580	FLOOR - Tonneau									
	FLOOR ASSEMBLY - Front		9939202	1	77		X		X	X
	FLOOR ASSEMBLY - Rear		9938584	1	77		X		X	X
	SCREW - Floor to underbody		162703	9	77		X		X	X
	RETAINER - Rear tonneau floor		7433398	2	77		X		X	X
	RIVET - Rear tonneau floor retainer		137871	4	77		X		X	X
	BUMPER - Rear floor anti-rattle		7409209	4	77		X		X	X
12.581	HANDLE, CATCH - Rear tonneau floor									
	HANDLE		2815544	1	77		X		X	X
	BOLT - Handle to floor		SP2056	1	77		X		X	X
	CATCH ASSEMBLY		2815541	1	77		X		X	X
	CATCH		2815542	1	77		X		X	X
	PIVOT - Catch		2815543	1	77		X		X	X
12.582	BOARD - Rear seat back filler									
	BOARD ASSEMBLY - Slate Black	LH	9938897DT	1	77		X		X	X
		RH	9938896DT	1	77		X		X	X
	BOARD ASSEMBLY - Chamois	LH	9938897DV	1	77		X		X	X
		RH	9938896DV	1	77		X		X	X

TORANA "LX" PARTS CATALOGUE

GROUP	DESCRIPTION	SIDE	PART No.	QTY.	BODY STYLE	UG	UH	VB	VC	VD
12.582	BOARD - Rear seat back filler (contd.)									
	BOARD ASSEMBLY - Sienna	LH	9938897EC	1	77		X		X	X
		RH	9938896EC	1	77		X		X	X
	BOARD ASSEMBLY - Tan	LH	9938897DX	1	77		X		X	X
		RH	9938896DX	1	77		X		X	X
	SUPPORT		9938102	2	77		X		X	X
12.803	COWL - Body front end									
	COWL ASSEMBLY - (Drum brakes)RIGHT HAND DRIVE		2824322	1	69	X		X		
	COWL ASSEMBLY - (Disc Brakes)RIGHT HAND DRIVE		9941840	1	69,77	X	X	X	X	X
	COWL ASSEMBLYLEFT HAND DRIVE		2824321	1	69,77	X	X	X	X	
	PANEL ASSY. - Plenum chamberRIGHT HAND DRIVE		2823439	1	69,77	X	X	X	X	X
		LEFT HAND DRIVE		2824316	1	69,77	X	X	X	X
	SILENCER - Plenum chamberRIGHT HAND DRIVE	LH	(⁶⁵ E955	1	69,77	X	X	X	X	X
		RH	(⁶⁵ E432	1	69,77	X	X	X	X	X
	SILENCER - Plenum chamberLEFT HAND DRIVE	LH	(⁶⁵ E987	1	69,77	X	X	X	X	
		RH	(⁶⁵ E986	1	69,77	X	X	X	X	
	COVER - Heater opening centre (without heater)		9932808	1	69,77	X	X	X	X	X
	BOLT - Centre cover to dash panel		160515	6	69,77	X	X	X	X	X
	NUT - Centre cover to dash panel		120375	6	69,77	X	X	X	X	X
	WASHER - Centre cover to dash panel		120380	6	69,77	X	X	X	X	X
	COVER - Heater opening side (without heater)		9932809	2	69,77	X	X	X	X	X
	SCREW - Side cover to dash panel		SP2111	3	69,77	X	X	X	X	X
	PLATE - Main cylinder hole coverLEFT HAND DRIVE		7434007	1	69,77			X	X	
	BOLT - Cover to dash panelLEFT HAND DRIVE		121852	2	69,77			X	X	
	NUT - Cover to dash panelLEFT HAND DRIVE		120377	2	69,77			X	X	
	PLUG - Clutch strut hole seal (A)		SP2250	1	69,77	X	X	X	X	X
	NUT - Strut bracket hole sealing		120376	1	69	X	X			
	WASHER - Strut bracket hole sealing		120393	1	69	X	X			
	NUT - Strut bracket hole sealing (A)		120376	1	69,77			X	X	X
WASHER - Strut bracket hole sealing (A)		120393	1	69,77			X	X	X	
12.804	PANEL - Dash									
	PANEL ASSEMBLY - (Drum brakes)RIGHT HAND DRIVE		2823430	1	69,77	X	X	X	X	X
	PANEL ASSEMBLY - (Disc Brakes)RIGHT HAND DRIVE		9941838	1	69,77	X	X	X	X	X
	PANEL ASSEMBLYLEFT HAND DRIVE		2823429	1	69,77	X	X	X	X	
	PLUG - Sealing (without heater)		SP1828	1	69,77	X	X	X	X	X
	PLUG - Sealing, 1/2" dia. (Export)		SP1540	1	69,77	X	X	X	X	X
12.805	PANEL - Cowl top									
	PANEL ASSEMBLYRIGHT HAND DRIVE		2823449	1	69,77	X	X	X	X	X
	LEFT HAND DRIVE		2823451	1	69,77	X	X	X	X	
12.805	PILLAR - Front body									
	PILLAR - Outer	LH	9931073	1	69,77	X	X	X	X	X
		RH	9931072	1	69,77	X	X	X	X	X
	REINFORCEMENT - Pillar, upper	LH	2823433	1	69,77	X	X	X	X	X
		RH	2823434	1	69,77	X	X	X	X	X
	REINFORCEMENT - Pillar, lower	LH	2823435	1	69,77	X	X	X	X	X
		RH	2823436	1	69,77	X	X	X	X	X
	PANEL - Pillar inner, upper	LH	2823431	1	69,77	X	X	X	X	X
		RH	2823432	1	69,77	X	X	X	X	X
	PANEL - Pillar inner, lower	LH	2823437	1	69,77	X	X	X	X	X
	RH	2823438	1	69,77	X	X	X	X	X	
12.807	FRAME - Windshield									
FRAME		2823441	1	69,77	X	X	X	X	X	
12.810	PANEL - Roof									
	PANEL		2823317	1	69	X	X	X	X	X
	PANEL		9934701	1	77		X		X	X
	EXTENSION	LH	9934837	1	77		X		X	X
		RH	9934836	1	77		X		X	X

Note: (⁶⁵ Except Export Luxury Trim and Interior Equipment.

TORANA "LX" PARTS CATALOGUE

GROUP	DESCRIPTION	SIDE	PART No.	QTY.	BODY STYLE	UG	UH	VB	VC	VD
12.810	COVER - Roof panel									
	COVER ASSEMBLY - Black		9930973CY	1	69		X	X	X	X
	COVER ASSEMBLY - Chamois		9930973DV	1	69	X	X	X	X	X
	COVER ASSEMBLY - Tan		9930973DX	1	69		X	X	X	X
	COVER ASSEMBLY - Covert		9930973DY	1	69		X	X	X	X
12.811	GUTTER - Roof drip									
	GUTTER - Front	LH	9936933	1	69	X	X	X	X	X
		RH	9936932	1	69	X	X	X	X	X
	GUTTER - Side	LH	9942801	1	69	X	X	X	X	X
		RH	9942802	1	69	X	X	X	X	X
	GUTTER - Rear	LH	9940299	1	69	X		X		
		RH	9940298	1	69	X		X		
	GUTTER - Rear	LH	9940301	1	69		X		X	X
		RH	9940300	1	69		X		X	X
	SCREW - Gutter to quarter panel		SP2192	8	69	X	X	X	X	X
	GUTTER - Front	LH	9936933	1	77		X		X	X
		RH	9936932	1	77		X		X	X
	GUTTER - Rear	LH	9934703	1	77		X		X	X
		RH	9934704	1	77		X		X	X
12.895	DOOR - Front less glass, trim & hardware									
	DOOR ASSEMBLY	LH	2823321	1	69	X	X	X	X	X
		RH	2823320	1	69	X	X	X	X	X
	DOOR ASSEMBLY	LH	2823693	1	77		X		X	X
	RH	2823694	1	77		X		X	X	
12.895	PANEL - Front door outer									
	PANEL ASSEMBLY	LH	2823323	1	69	X	X	X	X	X
		RH	2823322	1	69	X	X	X	X	X
	PANEL ASSEMBLY	LH	2823695	1	77		X		X	X
	RH	2823696	1	77		X		X	X	
12.913	DOOR - Rear less glass, trim & hardware									
	DOOR ASSEMBLY	LH	2823327	1	69	X	X	X	X	X
		RH	2823326	1	69	X	X	X	X	X
12.913	PANEL - Rear door outer									
	PANEL ASSEMBLY	LH	2823329	1	69	X	X	X	X	X
		RH	2823328	1	69	X	X	X	X	X
12.934	PANEL - Rocker									
	PANEL ASSEMBLY - Inner	LH	9928793	1	69	X	X	X	X	X
		RH	9928792	1	69	X	X	X	X	X
	PANEL - Outer	LH	9931079	1	69	X	X	X	X	X
		RH	9931078	1	69	X	X	X	X	X
	PANEL ASSEMBLY - Inner	LH	2824617	1	77		X		X	X
		RH	2824616	1	77		X		X	X
	PANEL - Outer	LH	9938719	1	77		X		X	X
	RH	9938718	1	77		X		X	X	
12.938	FRAME - Body side									
	FRAME ASSEMBLY	LH	9942751	1	69	X	X	X	X	X
		RH	9942752	1	69	X	X	X	X	X
12.940	PANEL - Quarter outer									
	PANEL ASSEMBLY - Complete	LH	2823541	1	69	X	X	X	X	X
		RH	2823540	1	69	X	X	X	X	X
	PANEL - Rear	LH	9936903	1	69	X	X	X	X	X
		RH	9936904	1	69	X	X	X	X	X
	REINFORCEMENT - Panel front	LH	2824003	1	69	X	X	X	X	X
		RH	2824004	1	69	X	X	X	X	X
SUPPORT - Taillamp		2823776	2	69	X	X	X	X	X	

TORANA "LX" PARTS CATALOGUE

GROUP	DESCRIPTION	SIDE	PART No.	QTY.	BODY STYLE	UG	UH	VB	VC	VD
12.940	PANEL - Quarter outer (contd.)									
	PANEL	LH	9938721	1	77		X		X	X
		RH	9938720	1	77		X		X	X
	PANEL Rear	LH	9938723	1	77		X		X	X
		RH	9938722	1	77		X		X	X
	SUPPORT - Tail lamp		2823776	2	77		X		X	X
12.941	PANEL - Quarter inner									
	PANEL ASSEMBLY	LH	2823533	1	69	X	X	X	X	X
		RH	2823532	1	69	X	X	X	X	X
	PANEL ASSEMBLY	LH	9934723	1	77		X		X	X
		RH	9934722	1	77		X		X	X
	REINFORCEMENT - Upper	LH	9934733	1	77		X		X	X
		RH	9934732	1	77		X		X	X
	PLUG - Panel		SP2590	2	77		X		X	X
12.942	PANEL, REINFORCEMENT, VALVE - Rear body lock pillar									
	PANEL	LH	9931077	1	69	X	X	X	X	X
		RH	9931076	1	69	X	X	X	X	X
	REINFORCEMENT	LH	2825693	1	69	X	X	X	X	X
		RH	2825692	1	69	X	X	X	X	X
	VALVE ASSY. - Pressure relief	LH	2825131	1	69	X	X	X	X	X
		RH	2825132	1	69	X	X	X	X	X
	SCREW - Valve assy. to quarter panel		7426400	2	69	X	X	X	X	X
	SEAL - Pressure relief valve		9938893	2	69	X	X	X	X	X
	GRILLE - Relief valve	LH	9938995	1	77		X		X	X
		RH	9938996	1	77		X		X	X
	SEAL - Relief valve grille		9939155	2	77		X		X	X
	SCREW - Grille to body side panel		9414734	4	77		X		X	X
	SCREW - Grille to body side panel		SP2435	2	77		X		X	X
	WASHER - Flat		SP2178	2	77		X		X	X
	WASHER - Rubber		7424387	2	77		X		X	X
	12.944	PANEL - Rear wheelhouse								
PANEL - Outer		LH	2823829	1	69	X	X	X	X	X
		RH	2823830	1	69	X	X	X	X	X
PANEL - Inner		LH	2825085	1	69	X	X	X	X	X
		RH	2825084	1	69	X	X	X	X	X
PANEL - Outer		LH	2823829	1	77		X		X	X
		RH	2823830	1	77		X		X	X
PANEL - Inner		LH	9934727	1	77		X		X	X
		RH	9934726	1	77		X		X	X
BRACE - Rear body		LH	9934721	1	77		X		X	X
		RH	9934720	1	77		X		X	X
PLATE - Paint drain cover			7418525	2	69, 77	X	X	X	X	X
SCREW - Plate to wheelhouse			163210	4	69, 77	X	X	X	X	X
PLUG - Shock absorber access hole			7139959	2	69, 77	X	X	X	X	X
12.948	SEAL - Rear quarter panel									
	SEAL - To wheelhouse outer panel	LH	2824363	1	69	X	X	X	X	X
		RH	2824364	1	69	X	X	X	X	X
	PLUG - Seal		SP1828	2	69, 77	X	X	X	X	X
12.952	BOW									
	BOW		⁽⁶⁵⁾ 2823392	1	69	X	X	X	X	X
	BOW		⁽⁶⁶⁾ 9941326	1	69		X			
	BOW - Rear		9936352	1	69	X	X	X	X	X
	BOW		9934826	1	77		X		X	X

Note: ⁽⁶⁵⁾ Except Export Luxury Trim and Interior Equipment.
⁽⁶⁶⁾ Export Luxury Trim & Interior Equipment.

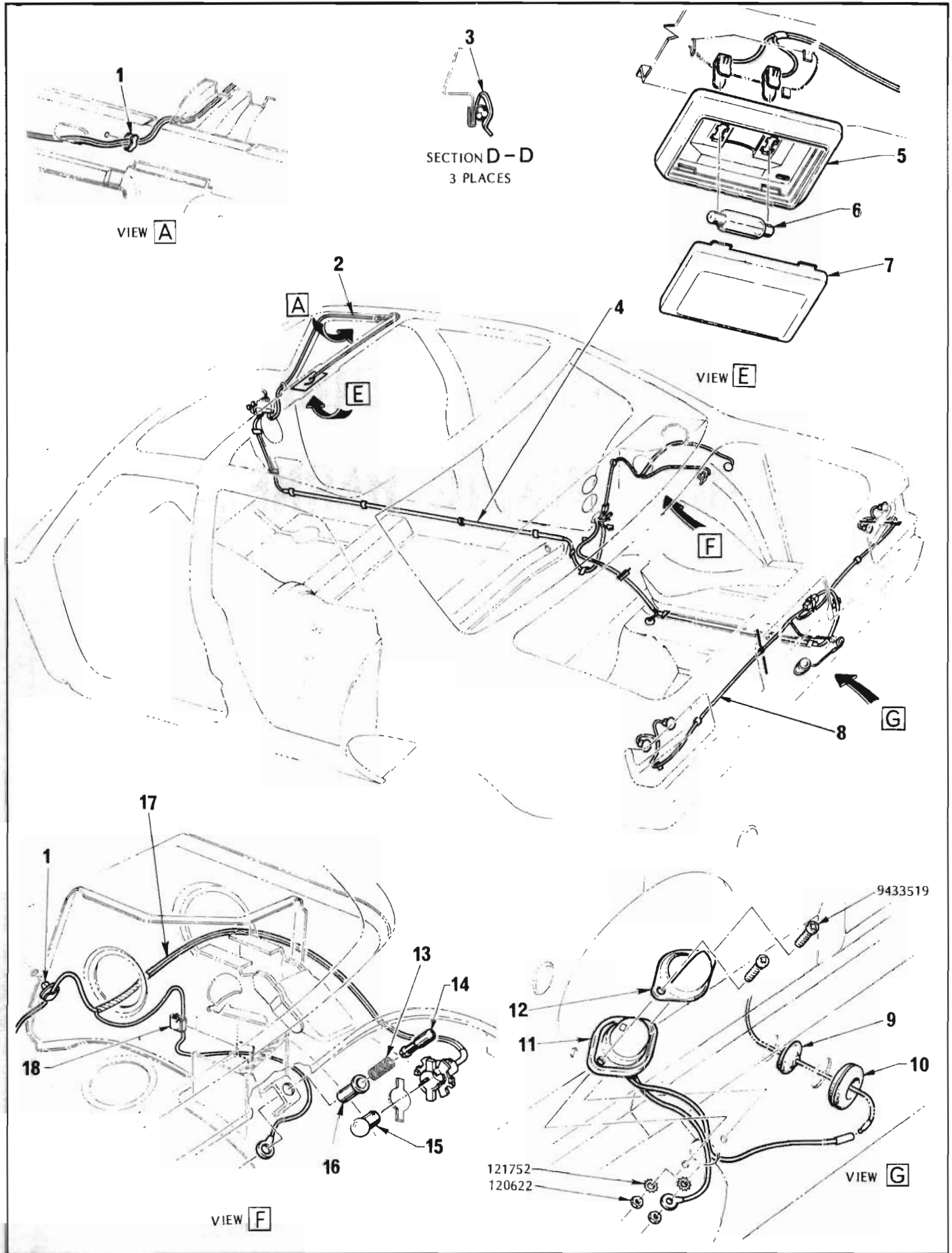
TORANA "LX" PARTS CATALOGUE

GROUP	DESCRIPTION	SIDE	PART No.	QTY.	BODY STYLE	UG	UH	VB	VC	VD
12.955	WIRE - Headlining listing									
	WIRE - Nos 1 & 3		2823880	2	69	X	X	X	X	X
	WIRE - Nos. 2 & 4		9936910	2	69	X	X	X	X	X
	WIRE - No. 5		2823881	1	69	X	X	X	X	X
	WIRE - Nos. 1 & 3		2823880	2	77		X		X	X
	WIRE - No. 2		9936910	1	77		X		X	X
	WIRE - No. 4		2813463	1	77		X		X	X
12.956	RAIL - Roof side									
	RAIL - Inner	LH	2823623	1	69	X	X	X	X	X
		RH	2823622	1	69	X	X	X	X	X
	RAIL - Outer	LH	9931075	1	69	X	X	X	X	X
		RH	9931074	1	69	X	X	X	X	X
	RAIL - Inner		2825561	2	77		X		X	X
	RAIL - Outer	LH	9938715	1	77		X		X	X
		RH	9938714	1	77		X		X	X
12.956	RAIL - Roof rear									
RAIL ASSEMBLY		9934705	1	77		X		X	X	
12.966	PANEL - Rear end									
	PANEL ASSEMBLY - Inner		9930712	1	69, 77	X	X	X	X	X
	PANEL ASSEMBLY - Outer		2824697	1	69	X	X	X	X	X
	PANEL ASSEMBLY - Outer		9934739	1	77		X		X	X
	EXTENSION - Outer panel	LH	9934711	1	77		X		X	X
		RH	9934710	1	77		X		X	X
12.966	DOOR, BRACKET, SPRING, PIN, BUMPER - Fuel tank filler									
	DOOR ASSEMBLY - Filler		2811713	1	69, 77	X	X	X	X	X
	BRACKET - Filler door		2811710	1	69, 77	X	X	X	X	X
	BOLT - Bracket to panel		121887	2	69, 77	X	X	X	X	X
	NUT		120375	2	69, 77	X	X	X	X	X
	WASHER - Flat		120392	2	69, 77	X	X	X	X	X
	WASHER - Lock		120380	2	69, 77	X	X	X	X	X
	SPRING - Filler door		2811711	1	69, 77	X	X	X	X	X
	PIN - Filler door		3857018	1	69, 77	X	X	X	X	X
BUMPER - Filler door		7427353	2	69, 77	X	X	X	X	X	
12.967	SPOILER - Rear compartment lid air									
	SPOILER PACKAGE		9936515	1	69	X	X	X	X	X
	SCREW - Spoiler to rear compartment lid		SP2064	3	69	X	X	X	X	X
	NUT - Spoiler to rear compartment lid		120375	3	69	X	X	X	X	X
	WASHER - Flat		120386	6	69	X	X	X	X	X
	WASHER - Lock		120380	3	69	X	X	X	X	X
	TRANSFER - 'SLR 5000'		9935014	1	69					X
12.971	PANEL, EXTENSION - Rear compartment front									
	PANEL ASSEMBLY		2824670	1	69	X	X	X	X	X
	EXTENSION - Panel	LH	2824583	1	69	X	X	X	X	X
		RH	2824582	1	69	X	X	X	X	X
	EXTENSION - Panel lower		2823836	1	69	X	X	X	X	X
12.971	REINFORCEMENT - Rear compartment lid opening									
	REINFORCEMENT	LH	2824247	1	69	X	X	X	X	X
		RH	2824246	1	69	X	X	X	X	X
12.972	PAN - Front floor									
	PAN		2823465	1	69	X	X			
	PAN - Steering column shift		2823465	1	69			X	X	
	PAN - Console shift		9933544	1	69, 77			X	X	X
	PANEL - Floor pan	LH	9932071	1	69, 77	X	X	X	X	X
		RH	9932070	1	69, 77	X	X	X	X	X
	EXTENSION	LH	2824035	1	69, 77	X	X	X	X	X
	RH	9936094	1	69, 77	X	X	X	X	X	
	LEFT HAND DRIVE	LH	2824143	1	69, 77	X	X	X	X	
		RH	2824036	1	69	X	X	X	X	

TORANA "LX" PARTS CATALOGUE

GROUP	DESCRIPTION	SIDE	PART No.	QTY.	BODY STYLE	UG	UH	VB	VC	VD
12.972	PAN - Front floor (contd.)									
	PLATE - Paint drain cover		7418525	2	69,77	X	X	X	X	X
	SCREW - Cover to floor pan		163210	4	69,77	X	X	X	X	X
	CAP - Underbody sealing		7410830	2	69,77	X	X	X	X	X
12.980	MEMBER - Frame side									
	MEMBER ASSEMBLY	LH	2824077	1	69,77	X	X	X	X	X
		RH	2824078	1	69,77	X	X	X	X	X
	MEMBER - Upper front	LH	2824551	1	69,77	X	X	X	X	X
		RH	2824224	1	69,77	X	X	X	X	X
12.981	PAN - Rear floor									
	PAN - (Bench seat)		2824879	1	69	X	X	X	X	
	PAN - (Bucket seat)		9930292	1	69,77	X	X	X	X	X
	PLATE - Paint drain cover		7418525	5	69,77	X	X	X	X	X
	SCREW - Cover to floor pan		163210	10	69,77	X	X	X	X	X
12.982	SUPPORT, INSULATOR, CROSSBAR, MEMBER - Underbody									
	SUPPORT - Engine rear mounting4 Cyl. Eng.		9933934	1	69	X	X			
	SUPPORT - Engine rear mounting(M) 3 Speed									
	Trans. 6 Cyl. Eng.RIGHT HAND DRIVE		9928585	1	69			X	X	
LEFT HAND DRIVE		9934380	1	69			X	X	
	SUPPORT - Engine rear mounting(M) 4 Speed									
	Trans.6 Cyl. Eng.		9928585	1	69,77			X	X	X
	SUPPORT - Engine rear mounting(M) 8 Cyl. Eng.		9932866	1	69,77			X	X	X
	SUPPORT - Engine rear mounting(A) 6 Cyl. Eng.		9928586	1	69,77			X	X	X
	SUPPORT - Engine rear mounting(A) 8 Cyl. Eng.		9932867	1	69,77			X	X	X
	INSULATOR - Engine rear mounting support upper									
(M) 4 Cyl. Eng.		9932687	4	69	X	X			
	INSULATOR - Engine rear mounting lower(M) 4 Cyl. Eng.		9932688	4	69	X	X			
	INSULATOR - Engine rear mounting upper(A)		9932687	4	69,77	X	X	X	X	X
	INSULATOR - Engine rear mounting lower(A)		9932688	4	69,77	X	X	X	X	X
	SPACER - Engine rear mounting support(M) 4 Cyl. Eng.		9933937	4	69	X	X			
	SPACER - Engine rear mounting support(A)		9938402	4	69,77	X	X	X	X	X
	SPACER - Engine rear mounting support to underbody									
(M) 3 Speed Trans, 6 Cyl. Eng.LEFT HAND DRIVE		9932768	4	69			X	X	
	BOLT - Support to underbody(M) 4 Cyl. Eng.		180123	4	69,77	X	X			
	WASHER - Support to underbody bolt(M) 4 Cyl. Eng.		SP1920	4	69,77	X	X			
	BOLT - Support to underbody(A)		180123	4	69,77	X	X	X	X	X
	BOLT - Support to underbody(A)		SP1920	4	69,77	X	X	X	X	X
	BOLT - Support to underbody(M) 6, 8 Cyl. Eng.		SP2154	4	69,77			X	X	X
	CROSSBAR		2823163	1	69	X	X	X	X	X
	CROSSBAR		9934869	1	77		X		X	X
	BAR - Tonneau floor rear cross		9934806	1	77		X		X	X
	MEMBER ASSY. - Side	LH	2824651	1	69,77	X	X	X	X	X
		RH	2824652	1	69,77	X	X	X	X	X
	BRACE - Side member to inner rocker panel	LH	2823201	1	69,77	X	X	X	X	X
		RH	2823200	1	69,77	X	X	X	X	X
	12.984	MOUNTING, BRACE - Rear shock absorber								
MOUNTING ASSEMBLY		LH	2823207	1	69,77	X	X	X	X	X
		RH	2823208	1	69,77	X	X	X	X	X
BRACE		LH	2824539	1	69	X	X	X	X	X
		RH	2824540	1	69	X	X	X	X	X
BRACE		LH	9934731	1	77		X		X	X
	RH	9934730	1	77		X		X	X	

GROUP 13.000
BODY WIRING HARNESS

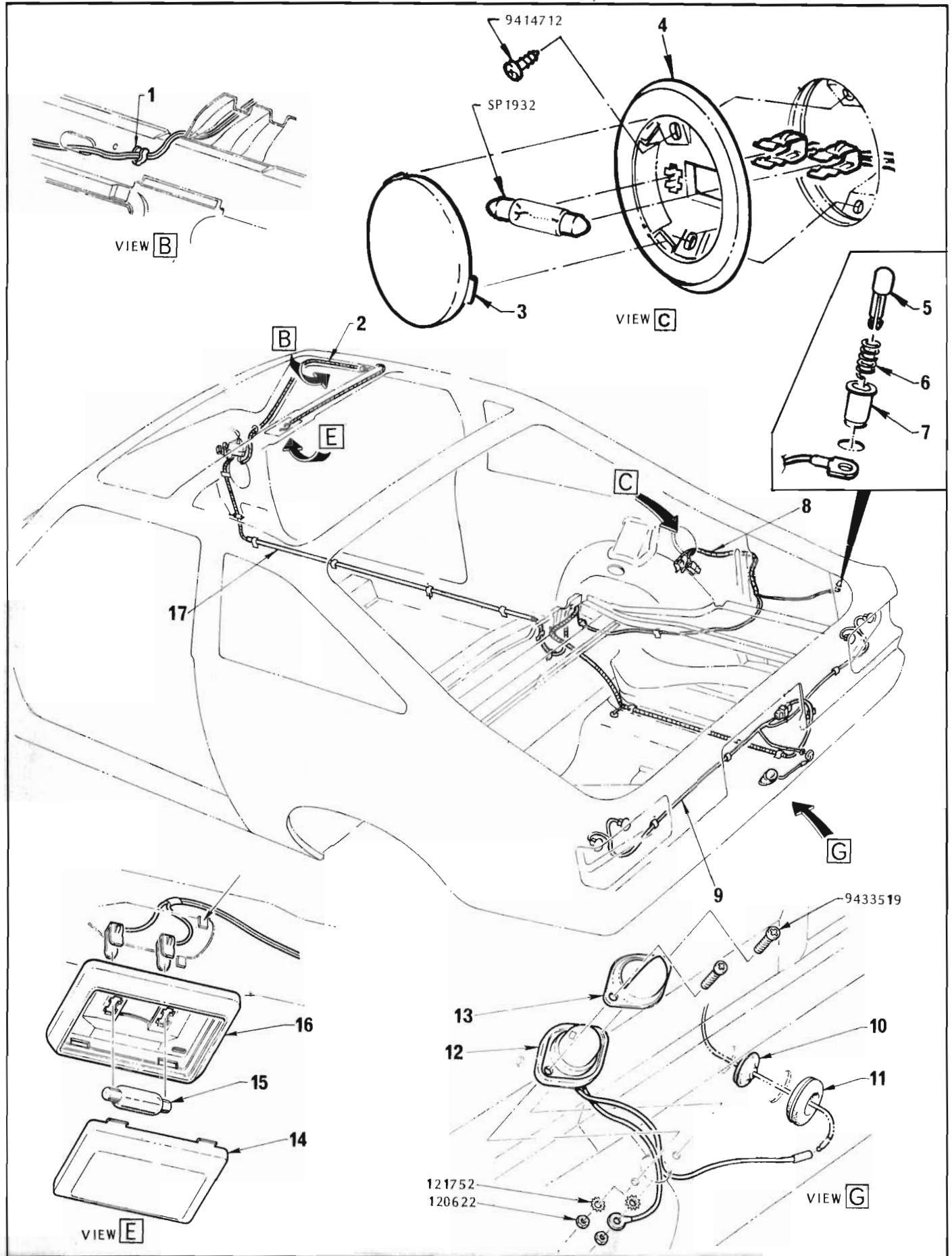


BODY WIRING
69 Body Styles

ILLUSTRATION OPPOSITE

ILLUS. REF. NO.	PART NAME	GROUP
1.	CLIP – Dome and rear compartment lamp lead	13.092
2.	LEAD ASSEMBLY – Dome lamp	11.925
3.	CLIP – To rear end panel	13.092
4.	HARNESS ASSEMBLY	13.090
5.	BASE ASSEMBLY	11.925
6.	BULB – Festoon, 12 – 16V, 12 C.P.	11.925
7.	LENS – Dome lamp	11.928
8.	HARNESS ASSEMBLY – Rear	13.090
9.	GROMMET – Lamp lead	2.700
10.	GROMMET – Lamp lead	2.700
11.	LAMP & LEAD ASSEMBLY	2.700
12.	BEZEL	2.706
13.	SPRING – Switch	11.960
14.	PLUNGER – Switch	11.960
15.	BULB – 12 – 16V, 15 C.P.	11.960
16.	BODY – Switch	11.960
17.	SOCKET & LEAD ASSEMBLY – Lamp	11.960
18.	CLIP – Rear compartment lamp lead to shock absorber brace	13.092

TORANA "LX" PARTS CATALOGUE



BODY WIRING

77 Body Style

ILLUSTRATION OPPOSITE

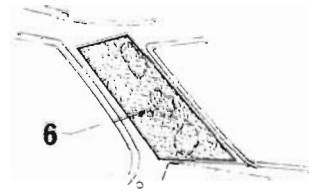
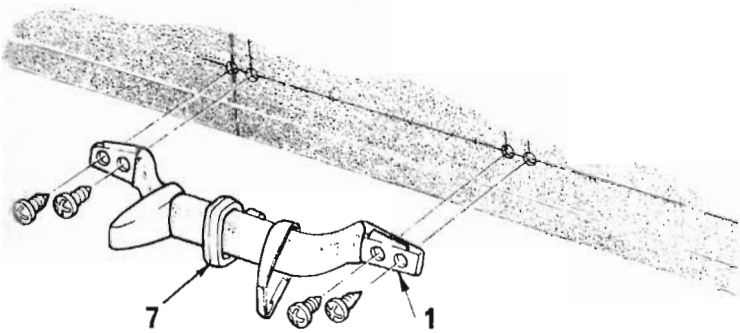
ILLUS. REF. NO.	PART NAME	GROUP
1.	CLIP - Dome & rear compartment lamp lead	13.092
2.	LEAD ASSEMBLY - Dome lamp	11.925
3.	LENS - Rear compartment lamp	11.960
4.	REFLECTOR - Rear compartment lamp	11.960
5.	PLUNGER - Switch	11.960
6.	SPRING - Switch plunger	11.960
7.	BODY - Switch	11.960
8.	HARNESS - Rear compartment lamp	11.960
9.	HARNESS ASSEMBLY - Rear	13.090
10.	GROMMET - Lamp lead	2.700
11.	GROMMET - Lamp lead	2.700
12.	LAMP & LEAD ASSEMBLY	2.700
13.	BEZEL	2.706
14.	LENS - Dome lamp	11.928
15.	BULB - Festoon, 12-16V, 12 C.P.	11.925
16.	BASE ASSEMBLY	11.925
17.	HARNESS ASSEMBLY	13.090

TORANA "LX" PARTS CATALOGUE

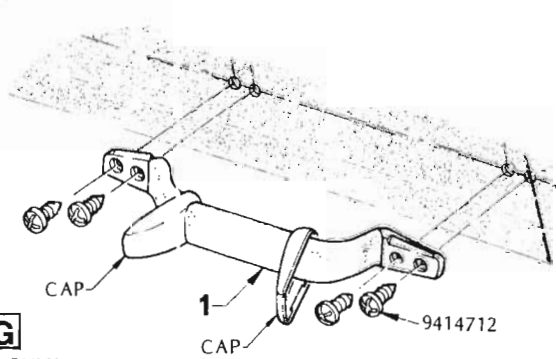
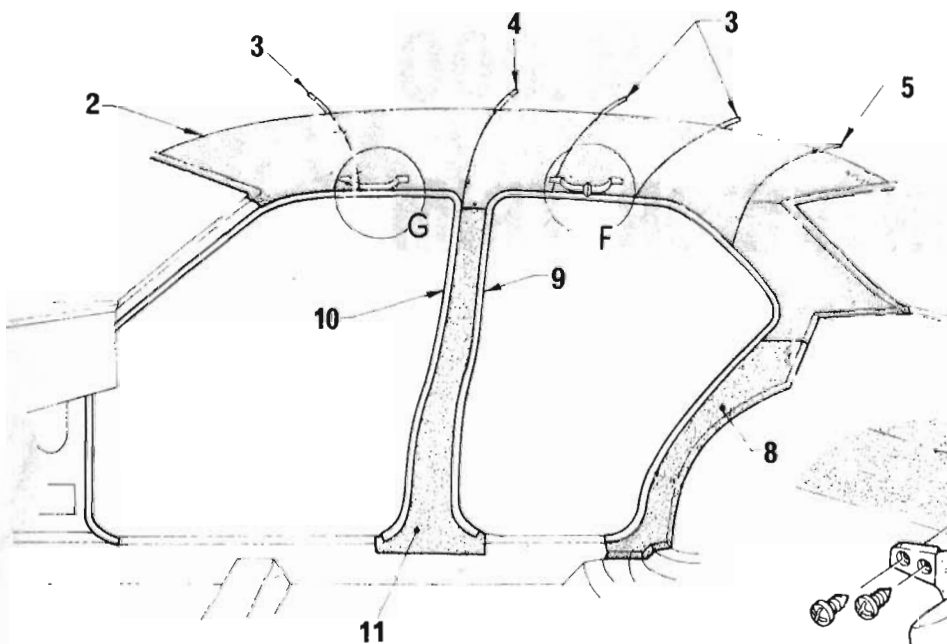
GROUP	DESCRIPTION	SIDE	PART No.	QTY.	BODY STYLE	UG	UH	VB	VC	VD	
13.090	HARNESS - Body wiring										
	HARNESS ASSEMBLY - Not equipped with rear comp. lamp, or rear seat speaker		9940929	1	69,77	X	X	X			
	HARNESS ASSEMBLY - Equipped with rear comp. lamp, or rear seat speaker		9940928	1	69	X	X	X	X	X	
	HARNESS ASSEMBLY - Equipped with rear comp. lamp		9940930	1	69	X	X	X	X	X	
	HARNESS ASSEMBLY - Equipped with rear seat speaker		9940927	1	69	X	X	X	X	X	
	HARNESS ASSY. - Rear		9940935	1	69,77	X	X	X	X	X	
	HARNESS ASSY. - Rear, white back up lens, (optional export only)		9940922	1	69,77	X	X	X	X	X	
	LEAD ASSY. - Stop lamp (red) white back up lens (optional export only)		2817866	1	69,77	X	X	X	X	X	
	LEAD ASSY. - Stop lamp (green) white back up lens (optional export only)		2817867	1	69,77	X	X	X	X	X	
	BODY - Stop lamp lead, white back up lens (optional export only)		2962448	2	69	X	X	X	X	X	
	BODY - Stop lamp lead, white back up lens (optional export only)		2962984	2	69	X	X	X	X	X	
	BODY - 11 way male connector		9928643	1	69,77	X	X	X	X	X	
	BODY - 3 way female connector		2962449	1	69	X	X	X	X	X	
	BODY - 4 way female terminal connector		2962969	1	69,77	X	X	X	X	X	
	BODY - 4 way male connector		2973603	1	69,77	X	X	X	X	X	
	BODY - Rear harness		2823808	2	69	X	X	X	X	X	
	SOCKET ASSY. - Rear, B1 type		2823821	2	69,77	X	X	X	X	X	
	SOCKET ASSY. - Rear, C2 type		8905102	2	69	X	X	X	X	X	
	SOCKET ASSY. - Rear compt. lamp lead		2824332	1	69	X	X	X	X	X	
	SPRING - Rear compt. lamp socket		2962243	1	69	X	X	X	X	X	
	CONDUIT - Body wiring harness		9933514	A.R.	69,77	X	X	X	X	X	
	13.092	CLIP, GROMMET - Body wiring									
		CLIP - Body wiring harness		7432906	1	69	X	X	X	X	X
CLIP - To rear floor pan			7413032	3	69,77	X	X	X	X	X	
CLIP - To rear wheelhouse panel			7413032	1	69,77	X	X	X	X	X	
CLIP - Rear body harness connector			2973390	1	69	X	X	X	X	X	
CLIP - To tail lamp			7413032	2	69,77	X	X	X	X	X	
CLIP - To rear end panel			7426417	3	69,77	X	X	X	X	X	
GROMMET - Body wiring harness		2817008	1	69,77	X	X	X	X	X		

GROUP 14.000
INTERIOR TRIM

TORANA "LX" PARTS CATALOGUE



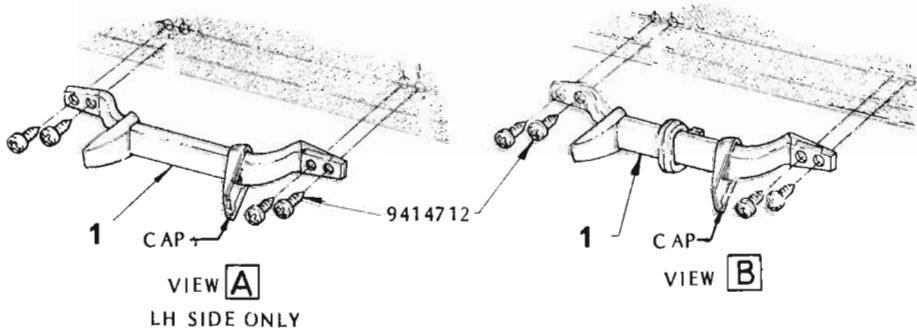
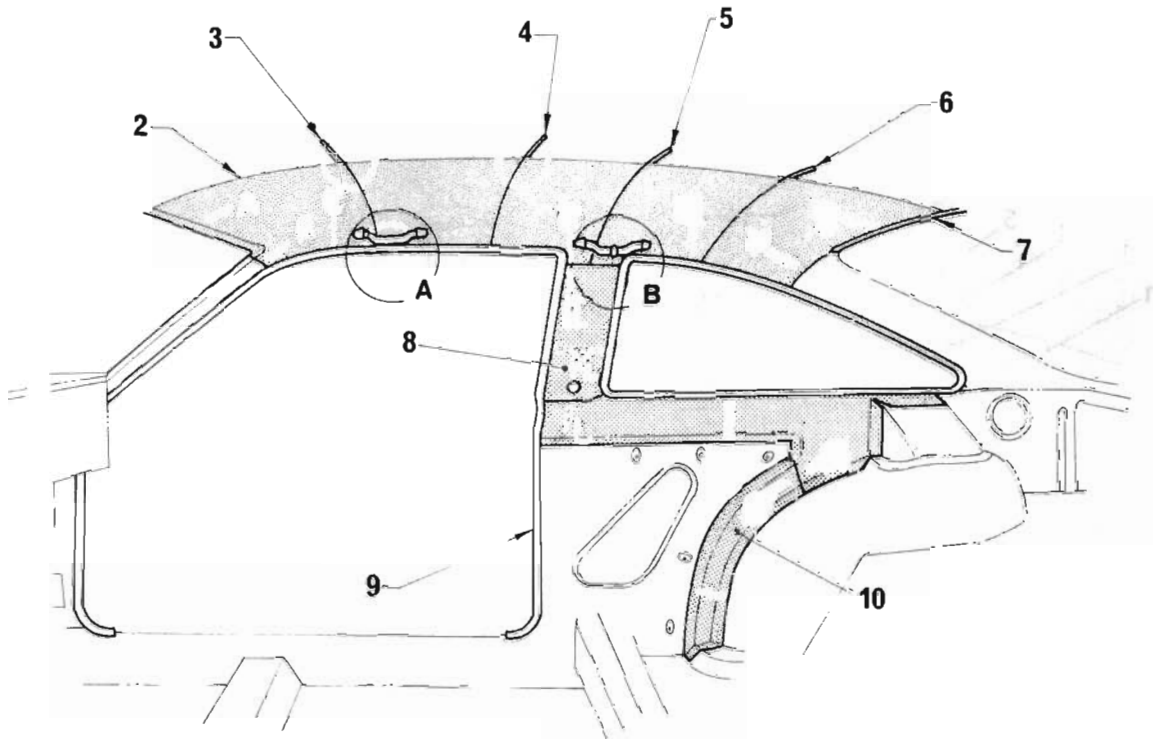
VIEW **F**
RIGHT & LEFT SIDES



VIEW **G**
LEFT SIDE ONLY

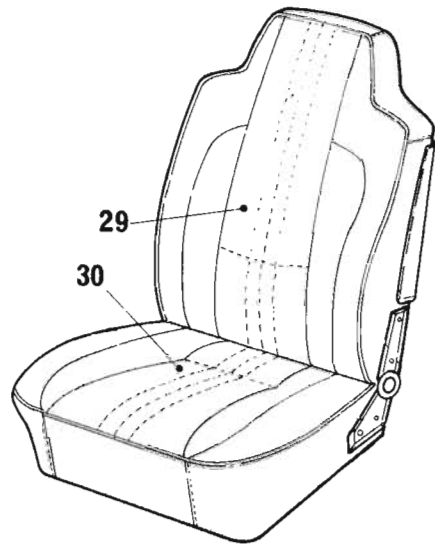
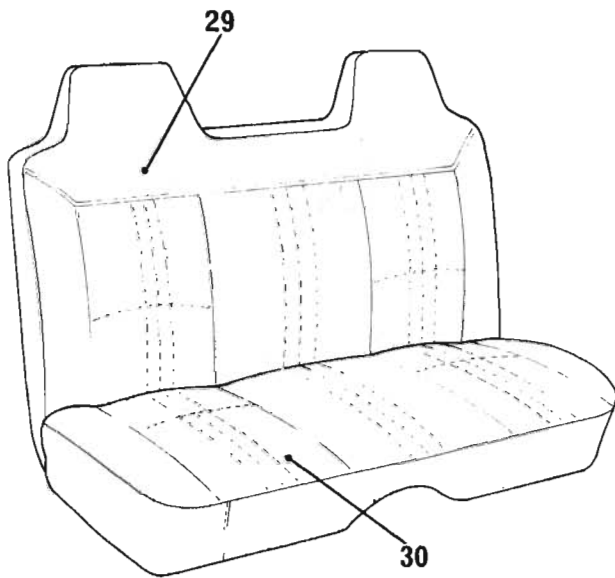
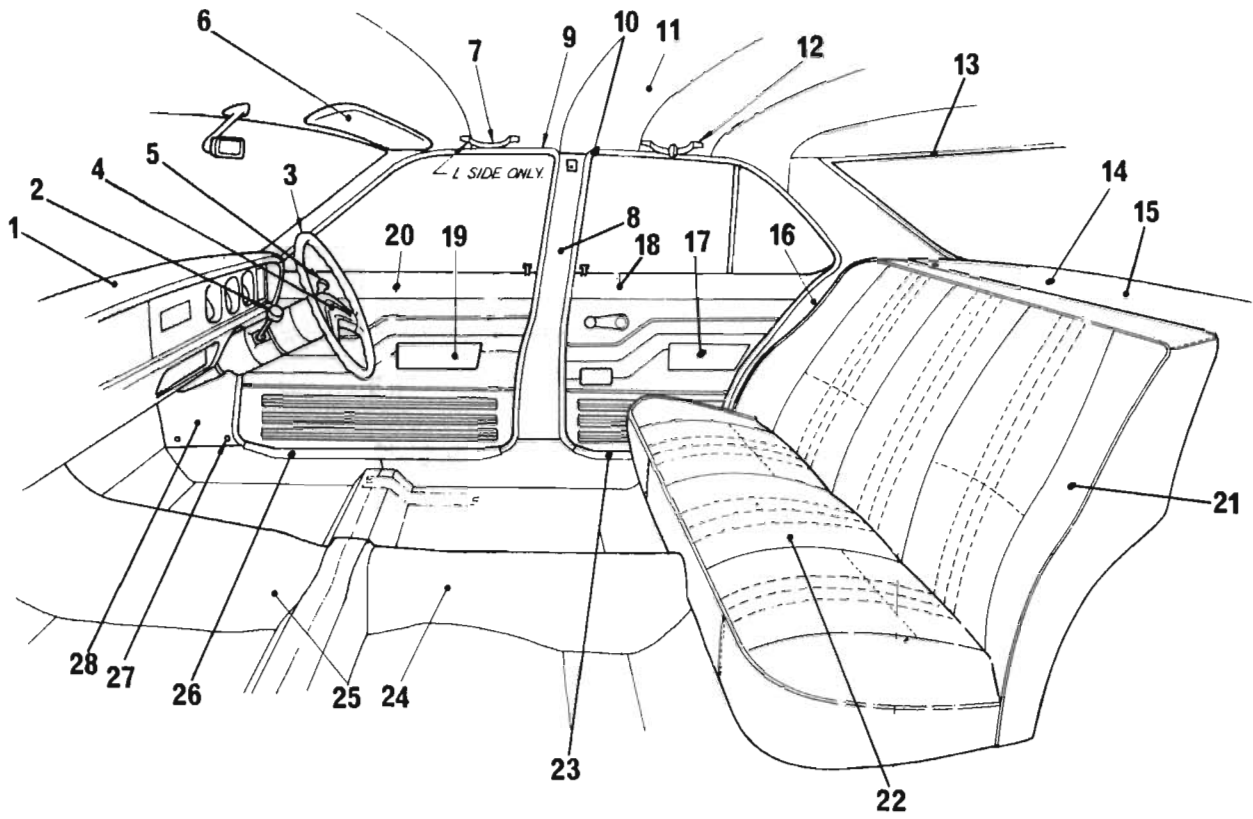
HEADLINING and ASSIST GRIP HANDLE 69 Body Styles

ILLUS. REF. NO.	PART NAME	GROUP	ILLUS. REF. NO.	PART NAME	GROUP
1.	HANDLE – Assist grip	15.390	7.	HOOK – Coat	14.651
2.	HEADLINING ASSEMBLY	14.640	8.	TRIM – Rear quarter lower	15.100
3.	WIRE – Nos. 1, 3 & 4	12.955	9.	WINDLACE – Rear door opening	15.520
4.	WIRE – No. 2	12.955	10.	WINDLACE – Front door opening	15.520
5.	WIRE – No. 5	12.955	11.	TRIM – Centre pillar	14.730
6.	PAD – Rear quarter upper	15.103			



HEADLINING and ASSIST GRIP HANDLE
77 Body Styles

ILLUS. REF. NO.	PART NAME	GROUP	ILLUS. REF. NO.	PART NAME	GROUP
1.	HANDLE - Assist grip	15.390	6.	WIRE - No. 4	12.955
2.	HEADLINING ASSEMBLY	14.640	7.	LACE - Headlining trim rear	14.650
3.	WIRE - No. 1	12.955	8.	TRIM ASSY. - Quarter upper	15.100
4.	WIRE - No. 2	12.955	9.	WINDLACE - Front door opening	15.520
5.	WIRE - No. 3	12.955	10.	TRIM - Quarter side lower	15.100

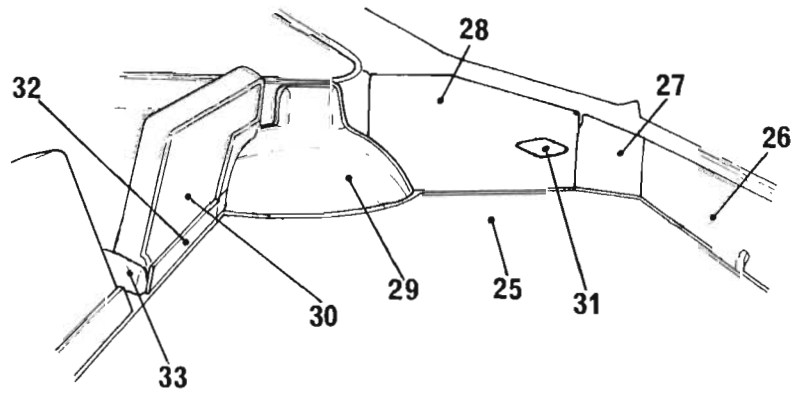
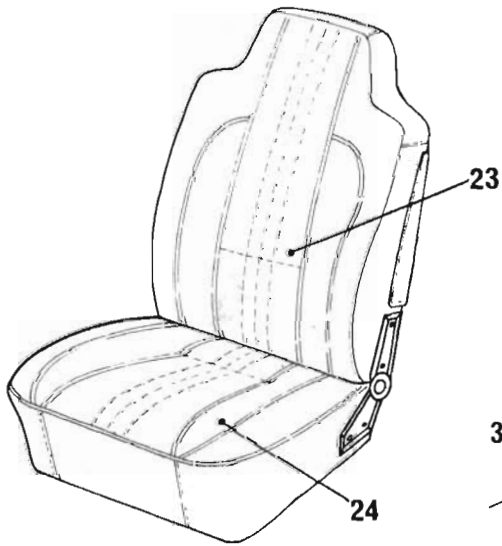
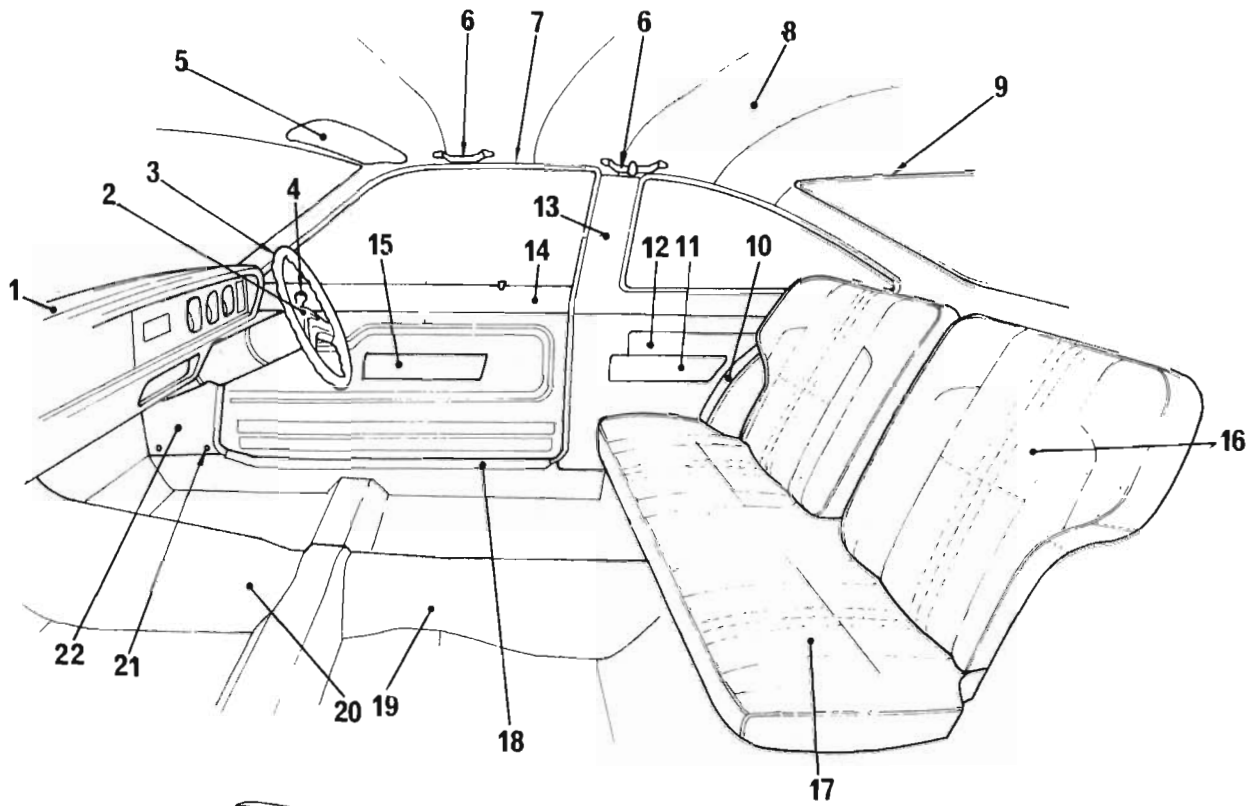


INTERIOR TRIM

69 Body Styles

ILLUSTRATION OPPOSITE

ILLUS. REF. NO.	PART NAME	GROUP
1.	PAD ASSEMBLY – Instrument panel	14.655
2.	KNOB – Gearshift lever	4.009
3.	WHEEL ASSEMBLY – Steering	6.513
4.	BAR ASSEMBLY – Horn actuating	2.830
5.	KNOB – Turn signal indicator switch	2.897
6.	SUN VISOR ASSEMBLY	10.203
7.	HANDLE – Assist grip	15.390
8.	TRIM – Centre pillar	14.730
9.	WINDLACE – Front door opening	15.520
10.	WINDLACE – Rear door opening	15.520
11.	HEADLINING ASSEMBLY	14.640
12.	HANDLE – Assist grip	15.390
13.	LACE – Rear window finish	14.650
14.	FASTENER – Package tray trim	15.024
15.	TRIM – Package tray	15.024
16.	TRIM – Rear quarter lower	15.100
17.	ARM REST – Rear door	14.762
18.	TRIM ASSEMBLY – Rear door	14.760
19.	ARM REST – Front door	14.686
20.	TRIM ASSEMBLY – Front door	14.685
21.	COVER ASSEMBLY – Rear seat back	15.000
22.	COVER ASSEMBLY – Rear seat cushion	15.035
23.	PLATE – Rear door scuff	11.179
24.	MAT – Rear floor	15.306
25.	MAT – Front floor	15.286
26.	PLATE – Front door scuff	11.175
27.	FASTENER – Panel cowl side lower trim	14.630
28.	TRIM – Panel cowl side lower	14.630
29.	COVER ASSEMBLY – Front seat back	14.800
30.	COVER ASSEMBLY – Front seat cushion	14.880

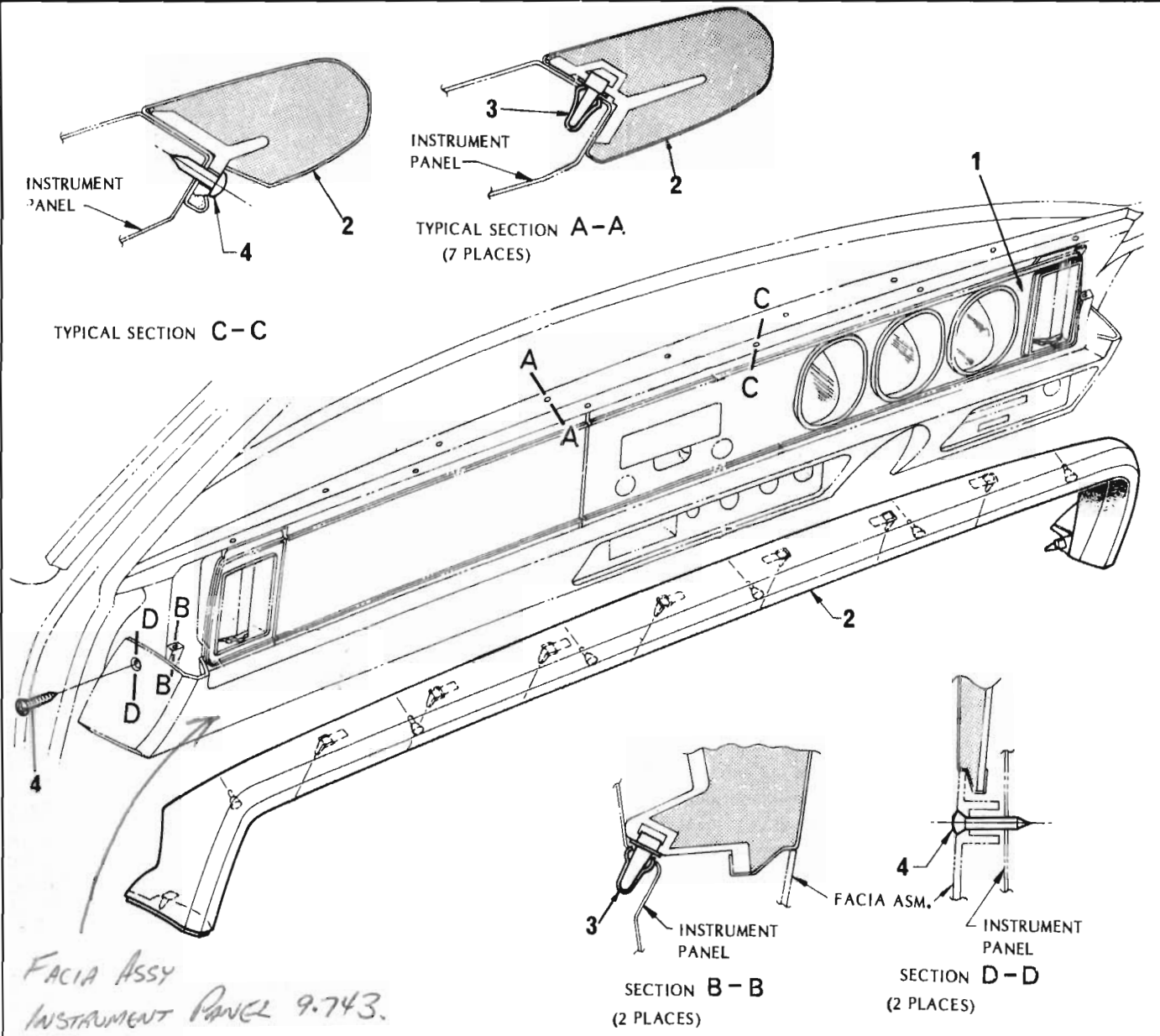


INTERIOR TRIM

77 Body Styles

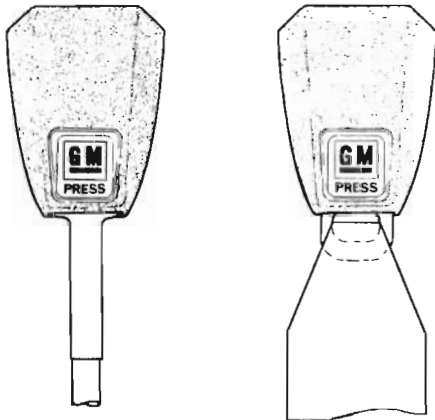
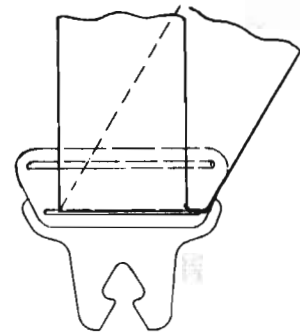
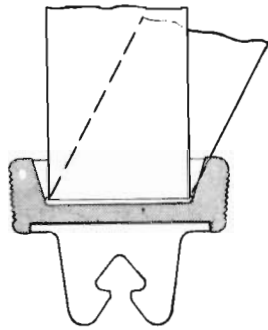
ILLUSTRATION OPPOSITE

ILLUS. REF. NO.	PART NAME	GROUP
1.	PAD ASSEMBLY – Instrument panel	14.655
2.	BAR ASSEMBLY – Horn actuating	2.830
3.	WHEEL ASSEMBLY – Steering	6.513
4.	KNOB – Turn signal indicator switch	2.897
5.	SUN VISOR ASSEMBLY	10.203
6.	HANDLE – Assist grip	15.390
7.	WINDLACE – Door opening	15.520
8.	HEADLINING ASSEMBLY	14.640
9.	LACE – Rear window finish	14.650
10.	TRIM – Rear quarter lower	15.100
11.	ARM REST – Rear quarter	14.762
12.	TRIM – Rear quarter	15.100
13.	TRIM – Centre pillar	14.730
14.	TRIM – Front door	14.685
15.	ARM REST – Front door	14.686
16.	COVER ASSEMBLY – Rear seat back	15.000
17.	COVER ASSEMBLY – Rear seat cushion	15.035
18.	PLATE – Front door scuff	11.175
19.	CARPET – Rear floor	15.306
20.	CARPET – Front floor	15.286
21.	FASTENER – Panel side cowl trim	14.630
22.	TRIM – Panel side cowl	14.630
23.	COVER – Front seat back	14.800
24.	COVER – Front seat cushion	14.880
25.	CARPET – Rear compartment floor	15.308
26.	CARPET – Rear compartment rear	15.309
27.	TRIM – Rear quarter extension rear	15.100
28.	TRIM – Rear compartment side	15.222
29.	CARPET – Wheelhouse	15.100
30.	CARPET – Rear seat back – Rear	15.310
31.	GRILLE – Pressure relief valve	15.100
32.	CARPET – Rear seat back filler	15.310
33.	COVER – Rear seat back centre hinge	15.000

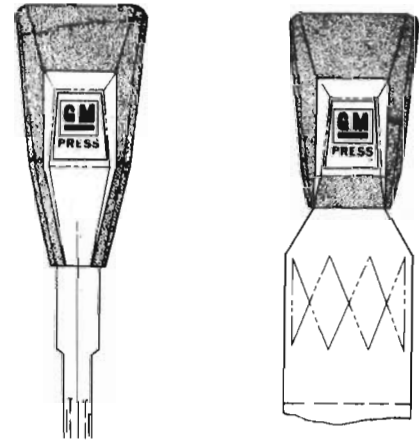


INSTRUMENT PANEL PAD

ILLUS. REF. NO.	PART NAME	GROUP	ILLUS. REF. NO.	PART NAME	GROUP
1.	PANEL ASSEMBLY -- Instrument	10.230	3.	CLIP -- Pad to instrument panel	14.655
2.	PAD ASSEMBLY -- Instrument panel	14.655	4.	SCREW -- Pan hd. No.10 -- 16 x 3/4"	14.655



A B
COOLDRIVE FITTINGS

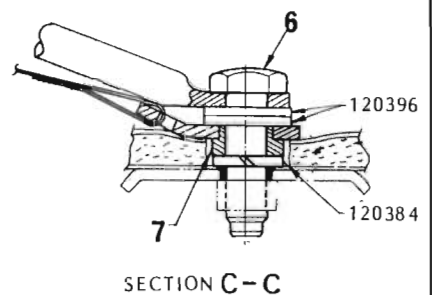
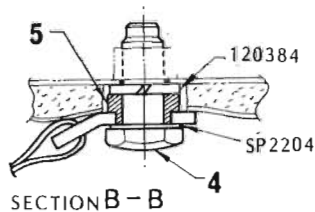
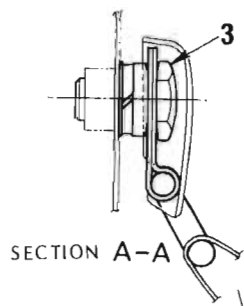
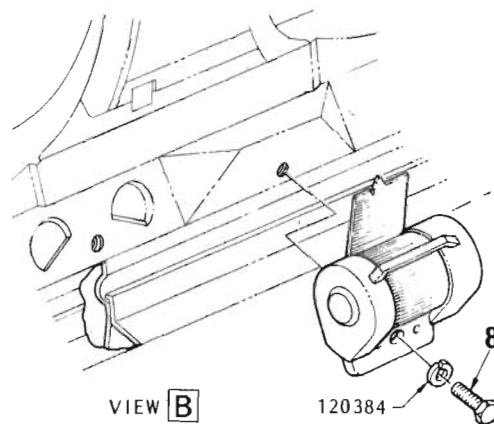
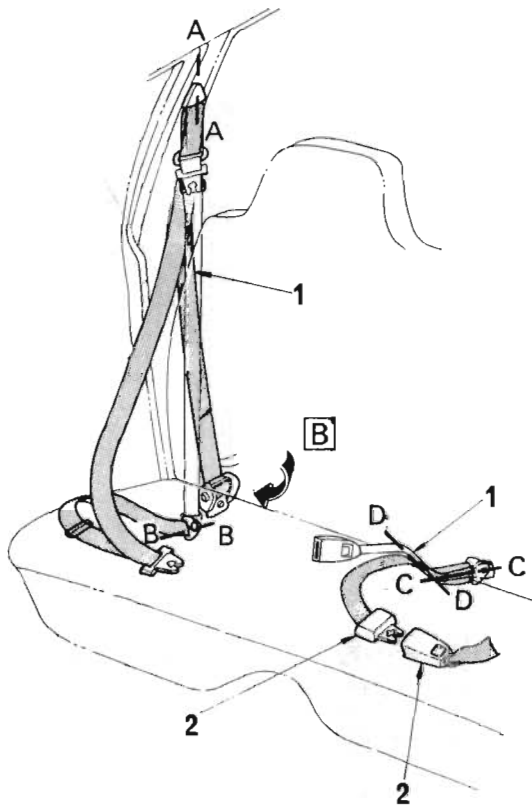


A B
RAINSFORD FITTINGS
KANGOL FITTINGS

SEAT BELT IDENTIFICATION

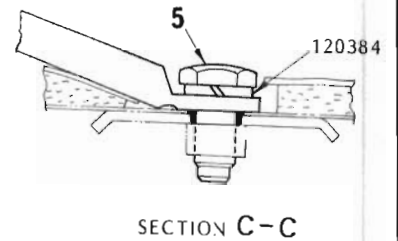
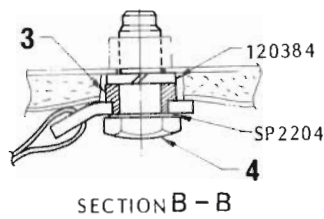
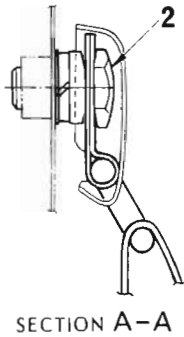
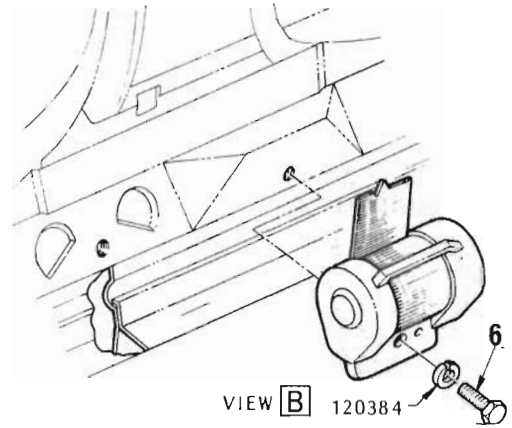
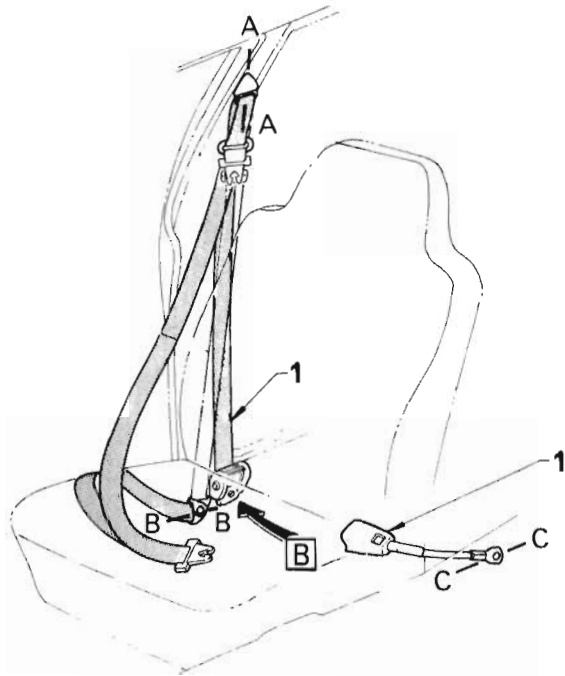
NOTE: (A FRONT SEAT RETRACTABLE BELTS, REFER GROUP 14.798

(B REAR SEAT BELTS, REFER GROUP 15.040



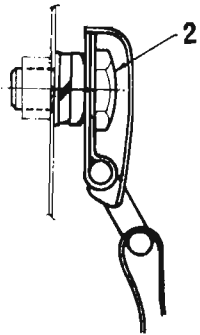
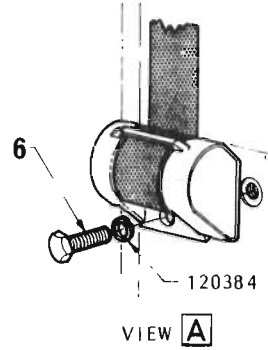
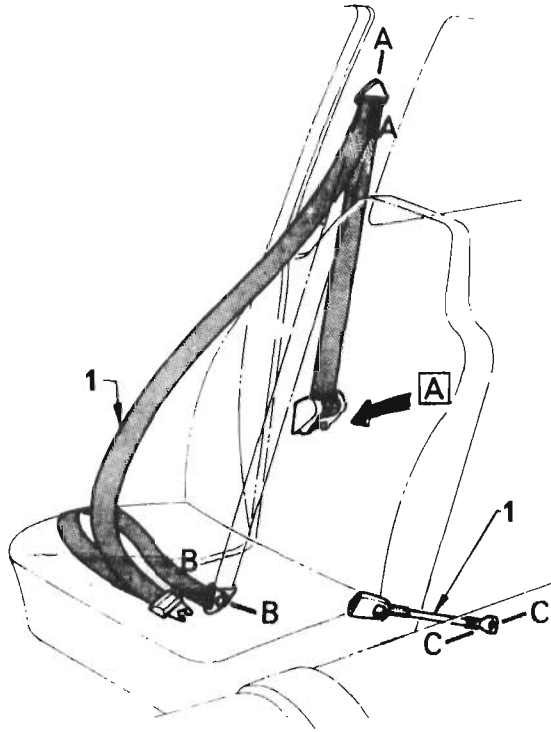
FRONT SEAT BELTS
BENCH SEAT — RETRACTOR TYPE
 '69 Body Style

ILLUS. REF. NO.	PART NAME	GROUP
1.	BELT ASSEMBLY — Front bench seat	14.798
2.	BELT ASSEMBLY — Front centre lap	14.798
3.	BOLT — Belt to pillar	14.798
4.	BOLT — Retractor bracket & belt lower side	14.798
5.	SPACER — Belt to pillar	14.798
6.	BOLT — Centre to underbody	14.798
7.	SPACER — Lower attaching	14.798
8.	BOLT — Retractor to pillar & bracket	14.798

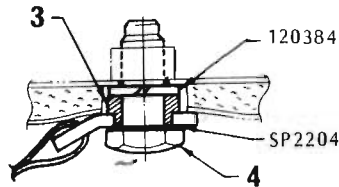


FRONT SEAT BELTS
BUCKET SEATS - RETRACTOR TYPE
69 Body Style

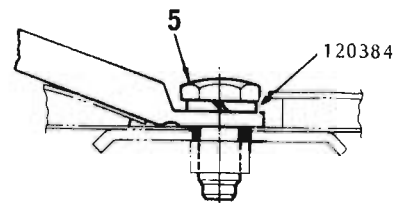
ILLUS. REF. NO.	PART NAME	GROUP
1.	BELT ASSEMBLY - Front bucket seat	14.798
2.	BOLT - Belt to pillar	14.798
3.	SPACER - Belt to pillar	14.798
4.	BOLT - Retractor bracket & belt lower attaching	14.798
5.	BOLT - Centre to underbody attaching	14.798
6.	BOLT - Retractor to pillar & bracket	14.798



SECTION A-A



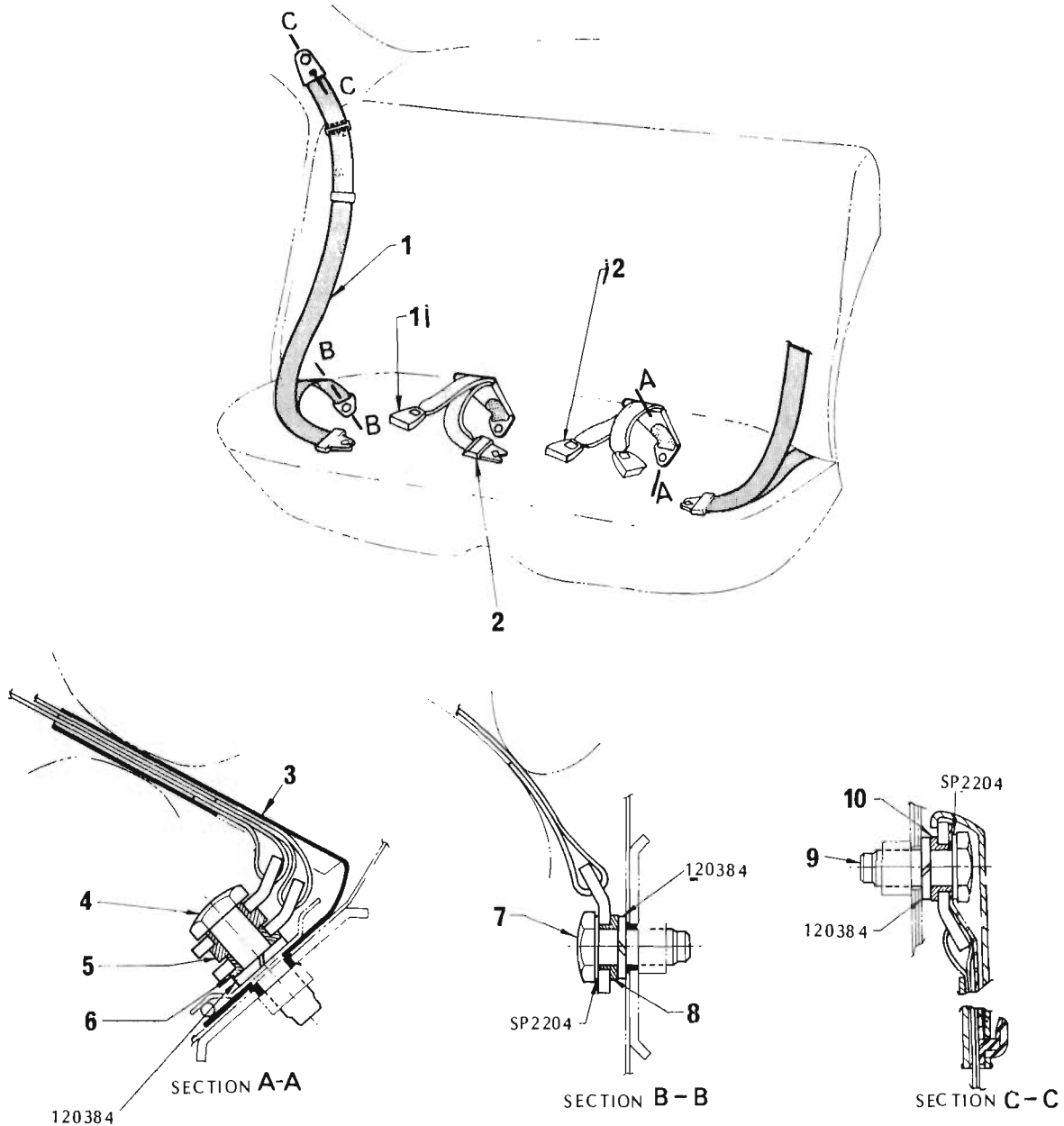
SECTION B-B



SECTION C-C

FRONT SEAT BELTS
BUCKET SEATS – RETRACTOR TYPE
77 Body Style

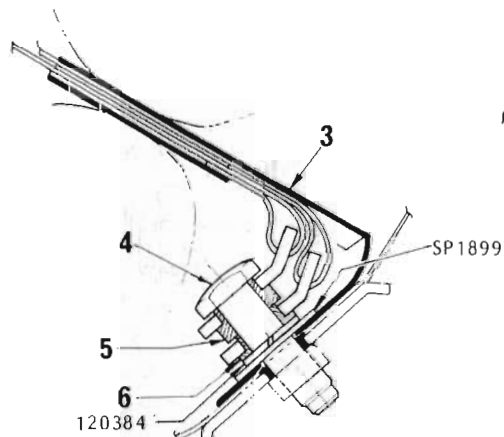
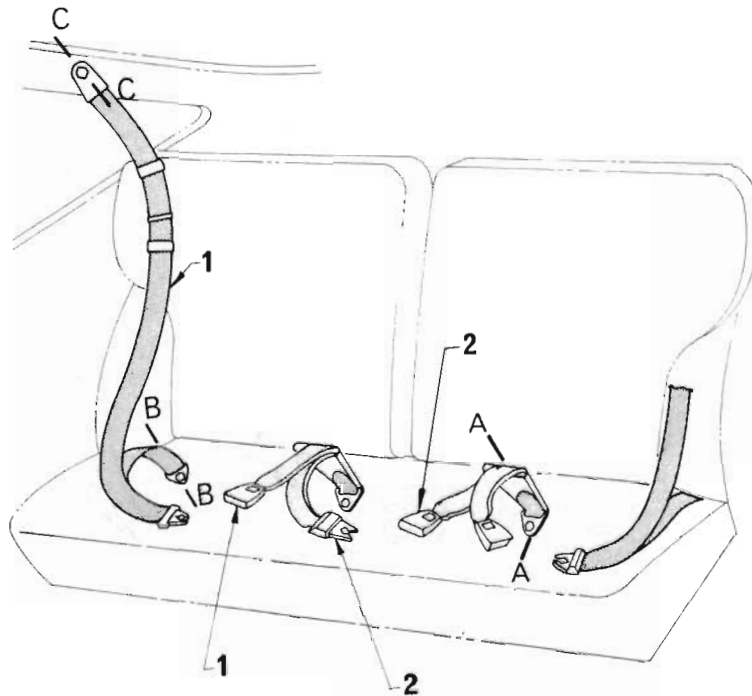
ILLUS. REF. NO.	PART NAME	GROUP
1.	BELT ASSEMBLY – Front bucket seat	14.798
2.	BOLT – Belt to pillar	14.798
3.	SPACER – Belt to pillar	14.798
4.	BOLT – Lower attaching	14.798
5.	BOLT – Centre to underbody attaching	14.798
6.	BOLT – Retractor to pillar	14.798



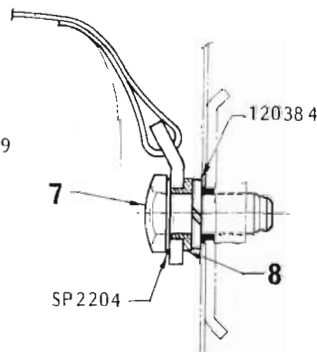
REAR SEAT BELTS

69 Body Style

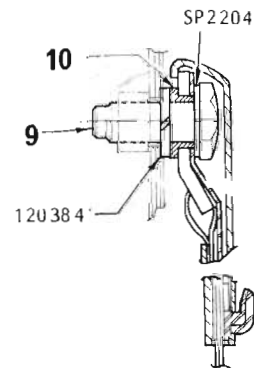
ILLUS. REF. NO.	PART NAME	GROUP
1.	BELT ASSEMBLY - Rear seat	15.040
2.	BELT ASSEMBLY - Rear seat centre lap	15.040
3.	SLEEVE - Seat belt retention	15.040
4.	BOLT - Centre attaching	15.040
5.	SPACER - Centre attaching (.42" thick)	15.040
6.	SPACER - Centre attaching (.30" thick)	15.040
7.	BOLT - Side attaching	15.040
8.	SPACER - Side lower attaching (.30" thick)	15.040
9.	BOLT - Side upper attaching	15.040
10.	SPACER - Side upper attaching (.36" thick)	15.050
11	Buckle Assy Rear seat	15040.
12	" " " " " " " "	" "



SECTION A-A



SECTION B-B



SECTION C-C

REAR SEAT BELTS
77 Body Style

ILLUS. REF. NO.	PART NAME	GROUP
1.	BELT ASSEMBLY - Rear seat	15.040
2.	BELT ASSEMBLY - Rear seat centre lap	15.040
3.	SLEEVE - Seat belt retention	15.040
4.	BOLT - Centre attaching	15.040
5.	SPACER - Centre attaching (.42" thick)	15.040
6.	SPACER - Centre attaching (.30" thick)	15.040
7.	BOLT - Side attaching	15.040
8.	SPACER - Side lower attaching (.30" thick)	15.040
9.	BOLT - Side upper attaching	15.040
10.	SPACER - Side upper attaching (.36" thick)	15.040

TORANA "LX" PARTS CATALOGUE

GROUP	DESCRIPTION	SIDE	PART No.	QTY.	BODY STYLE	UG	UH	VB	VC	VD
14.630	TRIM - Cowl side panel lower									
	TRIM - Black	RIGHT HAND DRIVE	LH	⁽⁶⁵⁾ 2825781BA	1	69,77	X	X	X	X
			RH	⁽⁶⁵⁾ 2825782BA	1	69,77	X	X	X	X
	TRIM - Black	RIGHT HAND DRIVE	LH	⁽⁶⁶⁾ 9941584CY	1	69		X		
			RH	⁽⁶⁶⁾ 9941585CY	1	69		X		
	TRIM - Chamois	RIGHT HAND DRIVE	LH	2825781DV	1	69,77	X	X	X	X
			RH	2825782DV	1	69,77	X	X	X	X
	TRIM - Sienna	RIGHT HAND DRIVE	LH	2825781EC	1	69,77	X	X	X	X
			RH	2825782EC	1	69,77	X	X	X	X
	TRIM - Tan	RIGHT HAND DRIVE	LH	2825781DX	1	69,77	X	X	X	X
			RH	2825782DX	1	69,77	X	X	X	X
	TRIM - Black	LEFT HAND DRIVE	LH	⁽⁶⁵⁾ 9933543BA	1	69,77	X	X	X	X
			RH	⁽⁶⁵⁾ 2825782BA	1	69,77	X	X	X	X
	TRIM - Black	LEFT HAND DRIVE	LH	⁽⁶⁶⁾ 9941586CY	1	69		X		
			RH	⁽⁶⁶⁾ 9941585CY	1	69		X		
	TRIM - Chamois	LEFT HAND DRIVE	LH	9933543DV	1	69,77	X	X	X	X
			RH	2825782DV	1	69,77	X	X	X	X
	TRIM - Sienna	LEFT HAND DRIVE	LH	9933543EC	1	69,77	X	X	X	X
		RH	2825782EC	1	69,77	X	X	X	X	
TRIM - Tan	LEFT HAND DRIVE	LH	9933543DX	1	69,77	X	X	X	X	
		RH	2825782DX	1	69,77	X	X	X	X	
14.630	FASTENER - Cowl side panel lower trim									
	FASTENER - Black			SP1838BA	6	69,77	X	X	X	X
	FASTENER - Chamois			SP1838DV	6	69,77	X	X	X	X
	FASTENER - Sienna			SP1838EC	6	69,77	X	X	X	X
	FASTENER - Tan			SP1838DX	6	69,77	X	X	X	X
14.640	HEADLINING									
	HEADLINING ASSEMBLY - Black			⁽⁶⁵⁾ 9931722BA	1	69	X	X	X	X
	HEADLINING ASSEMBLY - Black			⁽⁶⁶⁾ 9941156CY	1	69		X		
	HEADLINING ASSEMBLY - Chamois			9931722DV	1	69	X	X	X	X
	HEADLINING ASSEMBLY - Sienna			9931722EC	1	69	X	X	X	X
	HEADLINING ASSEMBLY - Tan			9931722DX	1	69	X	X	X	X
	HEADLINING ASSEMBLY - Black			9938597BA	1	77		X		X
	HEADLINING ASSEMBLY - Chamois			9938957DV	1	77		X		X
	HEADLINING ASSEMBLY - Sienna			9938957EC	1	77		X		X
	HEADLINING ASSEMBLY - Tan			9938957DX	1	77		X		X
	RETAINER - Headlining			9934805	2	77		X		X
	14.650	LACE - Headlining trim rear								
LACE - Black				9934861BA	1	77		X		X
LACE - Chamois				9934861DV	1	77		X		X
LACE - Sienna				9934861EC	1	77		X		X
LACE - Tan				9934861DX	1	77		X		X
14.651	HOOK - Coat (Not used with assist handles)									
	HOOK - Black			9928929BA	2	69	X		X	
	HOOK - Chamois			9928929DV	2	69	X		X	
	HOOK - Sienna			9928929EC	2	69	X		X	
	HOOK - Tan			9928929DX	2	69	X		X	
	SCREW - Hook attaching			9418622	2	69	X		X	
14.651	HOOK - Coat (Used with assist handles)									
HOOK			9932980	2	69		X	X	X	
14.655	PAD - Instrument panel									
	PAD ASSEMBLY - Black			2825009CY	1	69	X		X	
	PAD ASSEMBLY - Covert			2825009DY	1	69	X		X	
	PAD ASSEMBLY - Dark Sienna			2825009EK	1	69	X		X	
	PAD ASSEMBLY - Tan			2825009DX	1	69	X		X	
	PAD ASSEMBLY - Black			2825009CY	1	69,77		X		X
	PAD ASSEMBLY - Covert			2825009DY	1	69,77		X		X
	PAD ASSEMBLY - Dark Sienna			2825009EK	1	69,77		X		X
Note:										
⁽⁶⁵⁾ Except Export Luxury Trim and Interior Equipment.										
⁽⁶⁶⁾ Export Luxury Trim & Interior Equipment.										

TORANA "LX" PARTS CATALOGUE

GROUP	DESCRIPTION	SIDE	PART No.	QTY.	BODY STYLE	UG	UH	VB	VC	VD	
14.655	PAD - Instrument panel (contd.)										
	PAD ASSEMBLY - Tan		2825009DX	1	69,77		X		X	X	
	CLIP - Pad to instrument panel		7377884	9	69,77	X	X	X	X	X	
	SCREW - Pad to instrument panel		9421151	6	69,77	X	X	X	X	X	
14.685	TRIM - Front door										
	TRIM Nos. 18VSlate Black	LH	9940627DT	1	69	X		X			
		RH	9940628DT	1	69	X		X			
	TRIM Nos. 19VBlack	LH	9940627CY	1	69	X		X			
		RH	9940628CY	1	69	X		X			
	TRIM Nos. 60VChamois	LH	9940627DV	1	69	X		X			
		RH	9940628DV	1	69	X		X			
	TRIM Nos. 65VSienna	LH	9940627EC	1	69	X		X			
		RH	9940628EC	1	69	X		X			
	TRIM Nos. 67VTan	LH	9940627DX	1	69	X		X			
		RH	9940628DX	1	69	X		X			
	TRIM Nos. 18V, 18X, 18YSlate Black	LH	9941159DT	1	69		X			X	
		RH	9941158DT	1	69		X			X	
	TRIM Nos. 19XBlack	LH	9941503CY	1	69		X				
		RH	9941504CY	1	69		X				
	TRIM Nos. 60V, 60X, 60YChamois	LH	9941159DV	1	69		X			X	
		RH	9941158DV	1	69		X			X	
	TRIM Nos. 65V, 65X, 65YSienna	LH	9941159EC	1	69		X			X	
		RH	9941158EC	1	69		X			X	
	TRIM Nos. 67V, 67X, 67YTan	LH	9941159DX	1	69		X			X	
		RH	9941158DX	1	69		X			X	
	TRIM Nos. 18V, 18X, 18YSlate Black	LH	9930955DT	1	77		X			X	
		RH	9930956DT	1	77		X			X	
	TRIM Nos. 60V, 60X, 60YChamois	LH	9930955DV	1	77		X			X	
		RH	9930956DV	1	77		X			X	
	TRIM Nos. 65V, 65X, 65YSienna	LH	9930955EC	1	77		X			X	
		RH	9930956EC	1	77		X			X	
	TRIM Nos. 67V, 67X, 67YTan	LH	9930955DX	1	77		X			X	
		RH	9930956DX	1	77		X			X	
	TRIM Nos. 18V, 18X, 18YSlate Black	LH	9941163DT	1	69						X
		RH	9941162DT	1	69						X
	TRIM Nos. 60V, 60YChamois	LH	9941163DV	1	69						X
		RH	9941162DV	1	69						X
	TRIM Nos. 65V, 65YSienna	LH	9941163EC	1	69						X
		RH	9941162EC	1	69						X
	TRIM Nos. 67V, 67YTan	LH	9941163DX	1	69						X
		RH	9941162DX	1	69						X
	TRIM Nos. 18V, 18X, 18YSlate Black	LH	9930957DT	1	77						X
		RH	9930958DT	1	77						X
	TRIM Nos. 60V, 60YChamois	LH	9930957DV	1	77						X
		RH	9930958DV	1	77						X
	TRIM Nos. 65V, 65YSienna	LH	9930957EC	1	77						X
		RH	9930958EC	1	77						X
	TRIM Nos. 67V, 67YTan	LH	9930957DX	1	77						X
		RH	9930958DX	1	77						X
		CLIP - Trim to door		7377884	26-30	69,77	X	X	X	X	X
		CAP - Clip sealing		7410830	26-30	69,77	X	X	X	X	X
14.686	ARM REST - Front door										
	ARM REST - Black	LH	9932131CY	1	69,77	X	X	X	X	X	
		RH	9932130CY	1	69,77	X	X	X	X	X	
	ARM REST - Chamois	LH	9932131DV	1	69,77	X	X	X	X	X	
		RH	9932130DV	1	69,77	X	X	X	X	X	
	ARM REST - Sienna	LH	9932131EC	1	69,77	X	X	X	X	X	
		RH	9932130EC	1	69,77	X	X	X	X	X	
	ARM REST - Tan	LH	9932131DX	1	69,77	X	X	X	X	X	
		RH	9932130DX	1	69,77	X	X	X	X	X	
	SCREW - Arm rest to door		162113	4	69,77	X	X	X	X	X	

TORANA "LX" PARTS CATALOGUE

GROUP	DESCRIPTION	SIDE	PART No.	QTY.	BODY STYLE	UG	UH	VB	VC	VD	
14.691	TRIM, PAD - Front door garnish										
	TRIM Nos. 18V, 18X, 18YSlate Black	LH	9932133DT	1	69		X		X	X	
		RH	9932132DT	1	69		X		X	X	
	TRIM Nos. 19XBlack	LH	9941545CY	1	69		X				
		RH	9941544CY	1	69		X				
	TRIM Nos. 46V, 46XChamois	LH	9932133DE	1	69		X		X	X	
		RH	9932132DE	1	69		X		X	X	
	TRIM Nos. 60V, 60X, 60YChamois	LH	9932133DV	1	69		X		X	X	
		RH	9932132DV	1	69		X		X	X	
	TRIM Nos. 65V, 65X, 65YSienna	LH	9932133EC	1	69		X		X	X	
		RH	9932132EC	1	69		X		X	X	
	TRIM Nos. 67V, 67X, 67YTan	LH	9932133DX	1	69		X		X	X	
		RH	9932132DX	1	69		X		X	X	
	PAD ⁽⁶⁶⁾ 9941476			2	69		X				
	TRIM Nos. 18V, 18X, 18YSlate Black	LH	9932137DT	1	77		X		X	X	
		RH	9932136DT	1	77		X		X	X	
	TRIM Nos. 60V, 60X, 60YChamois	LH	9932137DV	1	77		X		X	X	
		RH	9932136DV	1	77		X		X	X	
	TRIM Nos. 65V, 65X, 65YSienna	LH	9932137EC	1	77		X		X	X	
		RH	9932136EC	1	77		X		X	X	
	TRIM Nos. 67V, 67X, 67YTan	LH	9932137DX	1	77		X		X	X	
		RH	9932136DX	1	77		X		X	X	
	SCREW - Trim to door		SP2192	2	69, 77		X		X	X	
14.694	SEAL - Front door inner panel										
	SEAL - Material 24" x 18"		M36827	A.R.	69, 77	X	X	X	X	X	
14.730	TRIM - Centre pillar										
	TRIM - Slate Black	LH	E681DT	1	69		X		X	X	
		RH	E682DT	1	69		X		X	X	
	TRIM - Chamois	LH	E681DV	1	69		X		X	X	
		RH	E682DV	1	69		X		X	X	
	TRIM - Sienna	LH	E681EC	1	69		X		X	X	
		RH	E682EC	1	69		X		X	X	
	TRIM - Tan	LH	E681DX	1	69		X		X	X	
		RH	E682DX	1	69		X		X	X	
14.760	TRIM - Rear door										
	TRIM Nos. 18VSlate Black	LH	9940629DT	1	69	X		X			
		RH	9940630DT	1	69	X		X			
	TRIM Nos. 19VBlack	LH	9940629CY	1	69	X		X			
		RH	9940630CY	1	69	X		X			
	TRIM Nos. 60VChamois	LH	9940629DV	1	69	X		X			
		RH	9940630DV	1	69	X		X			
	TRIM Nos. 65VSienna	LH	9940629EC	1	69	X		X			
		RH	9940630EC	1	69	X		X			
	TRIM Nos. 67VTan	LH	9940629DX	1	69	X		X			
		RH	9940630DX	1	69	X		X			
	TRIM Nos. 18V, 18X, 18VSlate Black	LH	9941161DT	1	69		X		X		
		RH	9941160DT	1	69		X		X		
	TRIM Nos. 19XBlack	LH	9941505CY	1	69		X				
		RH	9941506CY	1	69		X				
	TRIM Nos. 60V, 60X, 60YChamois	LH	9941161DV	1	69		X		X		
		RH	9941160DV	1	69		X		X		
	TRIM Nos. 65V, 65X, 65YSienna	LH	9941161EC	1	69		X		X		
		RH	9941160EC	1	69		X		X		
	TRIM Nos. 67V, 67X, 67YTan	LH	9941161DX	1	69		X		X		
		RH	9941160DX	1	69		X		X		
	TRIM Nos. 18V, 18X, 18YSlate Black	LH	9941165DT	1	69					X	
		RH	9941164DT	1	69					X	
	TRIM Nos. 60V, 60YChamois	LH	9941165DV	1	69					X	
		RH	9941164DV	1	69					X	
	Note: ⁽⁶⁶⁾ Export Luxury Trim & Interior Equipment.										

TORANA "LX" PARTS CATALOGUE

GROUP	DESCRIPTION	SIDE	PART No.	QTY.	BODY STYLE	UG	UH	VB	VC	VD
14.760	TRIM - Rear door (contd.)									
	TRIM Nos. 65V, 65YSienna	LH	9941165EC	1	69					X
		RH	9941164EC	1	69					X
	TRIM Nos. 67V, 67YTan	LH	9941165DX	1	69					X
		RH	9941164DX	1	69					X
	CLIP - Trim to door		7377884	20	69	X	X	X	X	X
	CAP - Clip sealing		7410830	20	69	X	X	X	X	X
14.762	ARM REST - Rear door									
	ARM REST - Black	LH	2825143CY	1	69		X	X	X	X
		RH	2825142CY	1	69		X	X	X	X
	ARM REST - Chamois	LH	2825143DV	1	69		X	X	X	X
		RH	2825142DV	1	69		X	X	X	X
	ARM REST - Sienna	LH	2825143EC	1	69		X	X	X	X
		RH	2825142EC	1	69		X	X	X	X
	ARM REST - Tan	LH	2825143DX	1	69		X	X	X	X
		RH	2825142DX	1	69		X	X	X	X
	SCREW - Arm rest to door		162113	4	69		X	X	X	X
14.762	ARM REST - Rear quarter									
	ARM REST - Black	LH	9938663CY	1	77		X		X	X
		RH	9938664CY	1	77		X		X	X
	ARM REST - Chamois	LH	9938663DV	1	77		X		X	X
		RH	9938664DV	1	77		X		X	X
	ARM REST - Sienna	LH	9938663EC	1	77		X		X	X
		RH	9938664EC	1	77		X		X	X
	ARM REST - Tan	LH	9938663DX	1	77		X		X	X
		RH	9938664DX	1	77		X		X	X
	SCREW - Arm rest to rear quarter		162113	4	77		X		X	X
14.764	TRIM, PAD - Rear door garnish									
	TRIM Nos. 18V, 18X, 18YSlate Black	LH	9932135DT	1	69		X		X	X
		RH	9932134DT	1	69		X		X	X
	TRIM Nos. 19XBlack	LH	9941547CY	1	69		X			
		RH	9941546CY	1	69		X			
	TRIM Nos. 60V, 60X, 60YChamois	LH	9932135DV	1	69		X		X	X
		RH	9932134DV	1	69		X		X	X
	TRIM Nos. 65V, 65X, 65YSienna	LH	9932135EC	1	69		X		X	X
		RH	9932134EC	1	69		X		X	X
	TRIM Nos. 67V, 67X, 67YTan	LH	9932135DX	1	69		X		X	X
		RH	9932134DX	1	69		X		X	X
	PAD		⁽⁶⁶⁾ 9941477	2	69		X			
	SCREW - Trim to door		SP2192	2	69		X		X	X
14.768	SEAL - Rear door inner panel									
	SEAL - Material 24" x 18"		M36827	A.R.	69	X	X	X	X	X
14.796	FRONT SEAT									
	Current production front seat assemblies will be supplied in current production trim on a firm order basis.									
14.798	BELT - Front bucket seat - Retractor Type (Rainsford)									
	BELT ASSEMBLY(Black)	LH	⁽⁴¹⁾ 9938615	1	69	X	X	X	X	X
		RH	⁽⁴¹⁾ 9938616	1	69	X	X	X	X	X
	BRACKET - Retractor mounting		9928762	2	69	X	X	X	X	X
	BOLT - Belt to pillar		9929664	2	69	X	X	X	X	X
	WASHER - Belt to pillar bolt		9929606	2	69	X	X	X	X	X
	SPACER - Belt to pillar (.31" Thick)		9929605	2	69	X	X	X	X	X
	BOLT - Retractor, bracket & belt lower attaching		9929664	10	69	X	X	X	X	X
	SPACER - Lower attaching (.42" Thick)		9929668	2	69	X	X	X	X	X
	BOLT - Retractor to pillar & bracket		9930187	4	69	X	X	X	X	X
	Note: ⁽⁴¹⁾ Use with ADR4C ⁽⁶⁶⁾ Export Luxury Trim & Interior Equipment.									

TORANA "LX" PARTS CATALOGUE

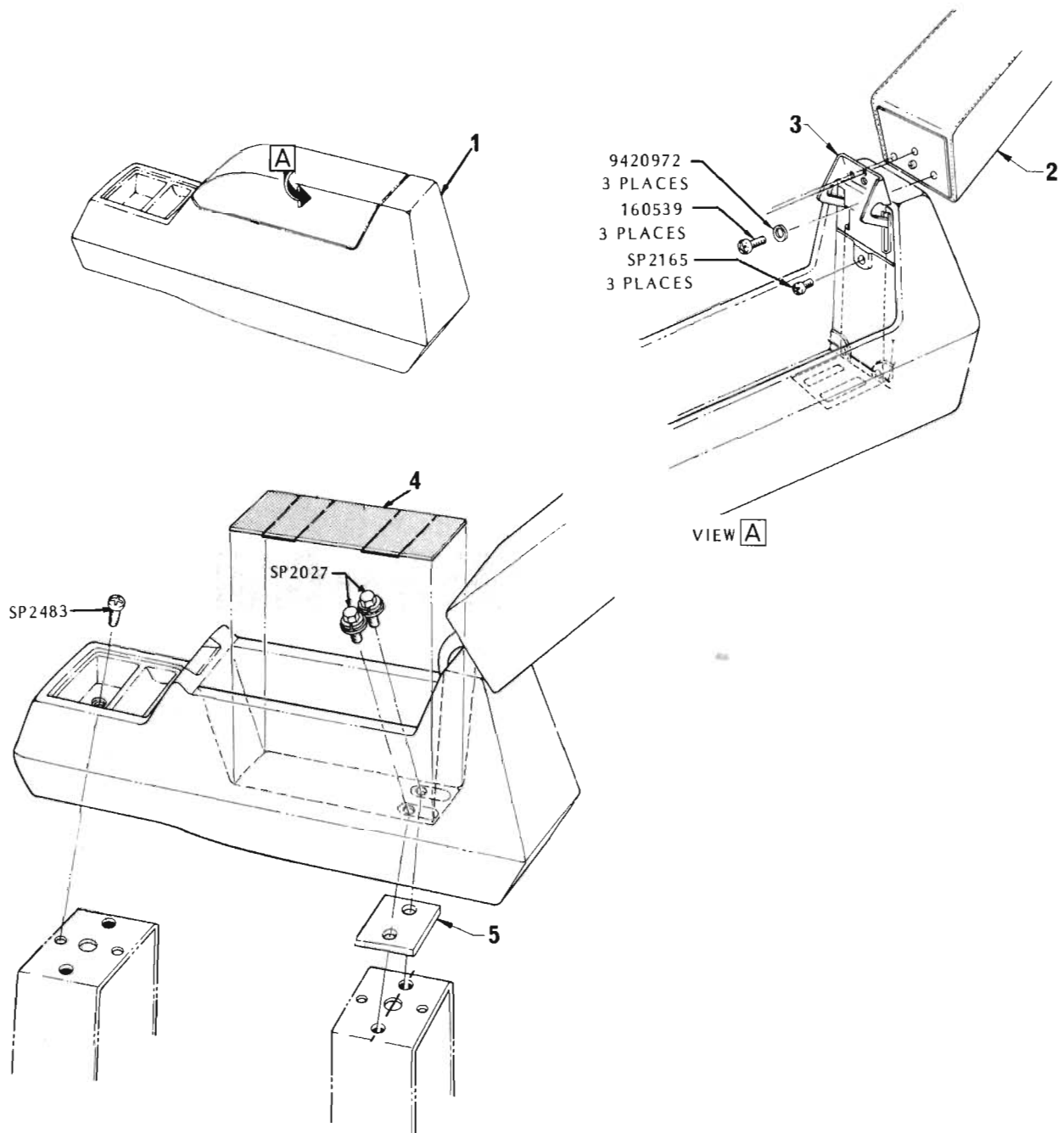
GROUP	DESCRIPTION	SIDE	PART No.	QTY.	BODY STYLE	UG	UH	VB	VC	VD
14.798	BELT - Front bucket seat - Retractor type (Cooldrive)									
	BELT ASSEMBLY(Black)	LH	9938613	1	69	X	X	X	X	X
		RH	9938612	1	69	X	X	X	X	X
	BRACKET - Retractor mounting		9928762	2	69	X	X	X	X	X
	BOLT - Belt to pillar		9930187	2	69	X	X	X	X	X
	WASHER - Belt to pillar bolt		9929606	2	69	X	X	X	X	X
	SPACER - Belt to pillar (.31" thick)		9929605	2	69	X	X	X	X	X
	BOLT - Retractor, bracket & belt lower attaching		9929664	10	69	X	X	X	X	X
	SPACER - Lower attaching (.42" thick)		9929668	2	69	X	X	X	X	X
	BOLT - Retractor to pillar & bracket		9929664	4	69	X	X	X	X	X
14.798	BELT - Front bucket seat - Retractor type (Kangol)									
	BELT ASSEMBLY(Black)	LH	(⁴¹ 9939595	1	69	X	X	X	X	X
		RH	(⁴¹ 9939596	1	69	X	X	X	X	X
	BRACKET - Retractor mounting		9928762	2	69	X	X	X	X	X
	BOLT - Belt to pillar		9930187	2	69	X	X	X	X	X
	WASHER - Belt to pillar bolt		9929606	2	69	X	X	X	X	X
	SPACER - Belt to pillar (.31" thick)		9929605	2	69	X	X	X	X	X
	BOLT - Retractor, bracket & belt lower attaching		9929664	10	69	X	X	X	X	X
	SPACER - Lower attaching (.42" thick)		9929668	2	69	X	X	X	X	X
	BOLT - Retractor to pillar & bracket		9929664	4	69	X	X	X	X	X
		BOLT - Centre to underbody attaching		9934331	2	69	X	X	X	X
14.798	BELT - Front bench seat - Retractor Type (Rainsford)									
	BELT ASSEMBLY(Black)		(⁴¹ 9938617	2	69	X	X	X	X	
	BRACKET - Retractor mounting		9928762	2	69	X	X	X	X	
	BOLT - Belt to pillar		9929664	2	69	X	X	X	X	
	WASHER - Belt to pillar bolt		9929606	2	69	X	X	X	X	
	SPACER - Belt to pillar (.31" Thick)		9929605	2	69	X	X	X	X	
	BOLT - Retractor, bracket & belt lower side attaching		9929664	8	69	X	X	X	X	
	BOLT - Centre to underbody attaching		9934331	2	69	X	X	X	X	
	SPACER - Lower attaching (.42" Thick)		9929668	6	69	X	X	X	X	
	BOLT - Retractor to pillar & bracket		9930187	4	69	X	X	X	X	
14.798	BELT - Front bench seat - Retractor Type (Cooldrive)									
	BELT ASSEMBLY(Black)		9938614	2	69	X	X	X	X	
	BRACKET - Retractor mounting		9928762	2	69	X	X	X	X	
	BOLT - Belt to pillar		9930187	2	69	X	X	X	X	
	WASHER - Belt to pillar bolt		9929606	2	69	X	X	X	X	
	SPACER - Belt to pillar (.31" thick)		9929605	2	69	X	X	X	X	
	BOLT - Retractor, bracket & belt lower side		9929664	8	69	X	X	X	X	
	BOLT - Centre to underbody attaching		9934331	2	69	X	X	X	X	
	SPACER - Lower attaching (.42" thick)		9929668	6	69	X	X	X	X	
	BOLT - Retractor to pillar & bracket		9930187	4	69	X	X	X	X	
14.798	BELT - Front bench seat - Retractor Type (Kangol)									
	BELT ASSEMBLY(Black)		(⁴¹ 9939593	2	69	X	X	X	X	
	BRACKET - Retractor mounting		9928762	2	69	X	X	X	X	
	BOLT - Bolt to pillar		9930187	2	69	X	X	X	X	
	WASHER - Belt to pillar bolt		9929606	2	69	X	X	X	X	
	SPACER - Belt to pillar (.31" thick)		9929605	2	69	X	X	X	X	
	BOLT - Retractor, bracket & belt lower side		9929664	8	69	X	X	X	X	
	BOLT - Centre to underbody attaching		9934331	2	69	X	X	X	X	
	SPACER - Lower attaching (.42" thick)		9929668	6	69	X	X	X	X	
	BOLT - Retractor to pillar & bracket		9930187	4	69	X	X	X	X	
14.798	BELT - Front seat - Centre Lap (Rainsford)									
BELT ASSEMBLY(Black)		(⁴¹ 9939594	1	69	X	X	X	X		
14.798	BELT - Front seat - Centre Lap (Cooldrive)									
BELT ASSEMBLY(Black)		9938798	1	69	X	X	X	X		
14.798	SLEEVE - Front seat belt protector									
SLEEVE(Black)		9932906BA	2	69	X	X	X	X	X	

Note: (⁴¹ Use with ADR4C

TORANA "LX" PARTS CATALOGUE

GROUP	DESCRIPTION	SIDE	PART No.	QTY.	BODY STYLE	UG	UH	VB	VC	VD
14.800	COVER - Front seat back (Bench Seat)									
	TRIM Nos. 18V		9936164DT	1	69			X		
	TRIM Nos. 19V		9936164CY	1	69			X		
	TRIM Nos. 60V		9936164DV	1	69			X		
	TRIM Nos. 65V		9936164EC	1	69			X		
	TRIM Nos. 67V		9936164DX	1	69			X		
	TRIM Nos. 18V		9936166DT	1	69				X	
	TRIM Nos. 60V		9936166DV	1	69				X	
	TRIM Nos. 65V		9936166EC	1	69				X	
	TRIM Nos. 67V		9936166DX	1	69				X	
14.800	COVER - Front seat back (Bucket Seat)									
	TRIM Nos. 18V		9936155DT	2	69	X		X		
	TRIM Nos. 19V		9936155CY	2	69	X		X		
	TRIM Nos. 60V		9936155DV	2	69	X		X		
	TRIM Nos. 65V		9936155EC	2	69	X		X		
	TRIM Nos. 67V		9936155DX	2	69	X		X		
	TRIM Nos. 18V		9936153DT	2	69, 77		X		X	
	TRIM Nos. 60V		9936153DV	2	69, 77		X		X	
	TRIM Nos. 65V		9936153EC	2	69, 77		X		X	
	TRIM Nos. 67V		9936153DX	2	69, 77		X		X	
	TRIM Nos. 18X		9936157DT	2	69, 77		X		X	
	TRIM Nos. 19X		9941431CY	2	69		X			
	TRIM Nos. 60X		9936157DV	2	69, 77		X		X	
	TRIM Nos. 65X		9936157EC	2	69, 77		X		X	
	TRIM Nos. 67X		9936157DX	2	69, 77		X		X	
	TRIM Nos. 18Y		9936157EX	2	69, 77		X		X	
	TRIM Nos. 60Y		9936157EY	2	69, 77		X		X	
	TRIM Nos. 65Y		9936157EZ	2	69, 77		X		X	
	TRIM Nos. 67Y		9936157FA	2	69, 77		X		X	
	TRIM Nos. 18V		9936159DT	2	69, 77					X
	TRIM Nos. 60V		9936159DV	2	69, 77					X
	TRIM Nos. 65V		9936159EC	2	69, 77					X
	TRIM Nos. 67V		9936159DX	2	69, 77					X
	TRIM Nos. 18X		9936161DT	2	69, 77					X
	TRIM Nos. 18Y		9936161EX	2	69, 77					X
	TRIM Nos. 60Y		9936161DV	2	69, 77					X
	TRIM Nos. 65Y		9936161EC	2	69, 77					X
	TRIM Nos. 67Y		9936161DX	2	69, 77					X
14.800	FASTENER - Front seat back cover (Bucket Seat)									
	TRIM Nos. 18V, 18X, 18Y, 19V(Black)		SP1838BA	6	69, 77	X	X	X	X	X
	TRIM Nos. 60V, 60X, 60Y(Chamois)		SP1838DV	6	69, 77	X	X	X	X	X
	TRIM Nos. 65V, 65X, 65Y(Sienna)		SP1838EC	6	69, 77	X	X	X	X	X
	TRIM Nos. 67V, 67X, 67Y(Tan)		SP1838DX	6	69, 77	X	X	X	X	X
14.802	PAD INSULATOR - Front seat back									
	PAD ASSEMBLY - (Bench Seat)		9936195	1	69			X	X	
	PAD ASSEMBLY - (Bucket Seat)		9930313	2	69, 77	X	X	X	X	X
	INSULATOR ASSEMBLY - (Bench Seat)		9929565	1	69			X	X	
	INSULATOR ASSEMBLY - (Bucket Seat)		9935831	2	69, 77	X	X	X	X	X
14.802	PAD - Front seat back frame (Bucket Seat)									
	PAD		⁽⁶⁶⁾ 9931462	4	69		X			
14.803	PANEL, TRIM - Front seat back rear (Bucket Seat)									
	TRIM - Trim Nos. 19X		⁽⁶⁶⁾ 9941581CY	2	69		X			
	PANEL ASSEMBLY		9941172	2	69, 77	X	X	X	X	X
	CLIP - Trim to frame		7377884	6	69	X	X	X	X	X
	CLIP - Trim to frame		⁽⁶⁶⁾ SP2334	4	69		X			
	SCREW - Panel to frame		⁽⁶⁵⁾ SP2471	6	69, 77	X	X	X	X	X
	Note: ⁽⁶⁵⁾ Except Export Luxury Trim and Interior Equipment. ⁽⁶⁶⁾ Export Luxury Trim & Interior Equipment.									

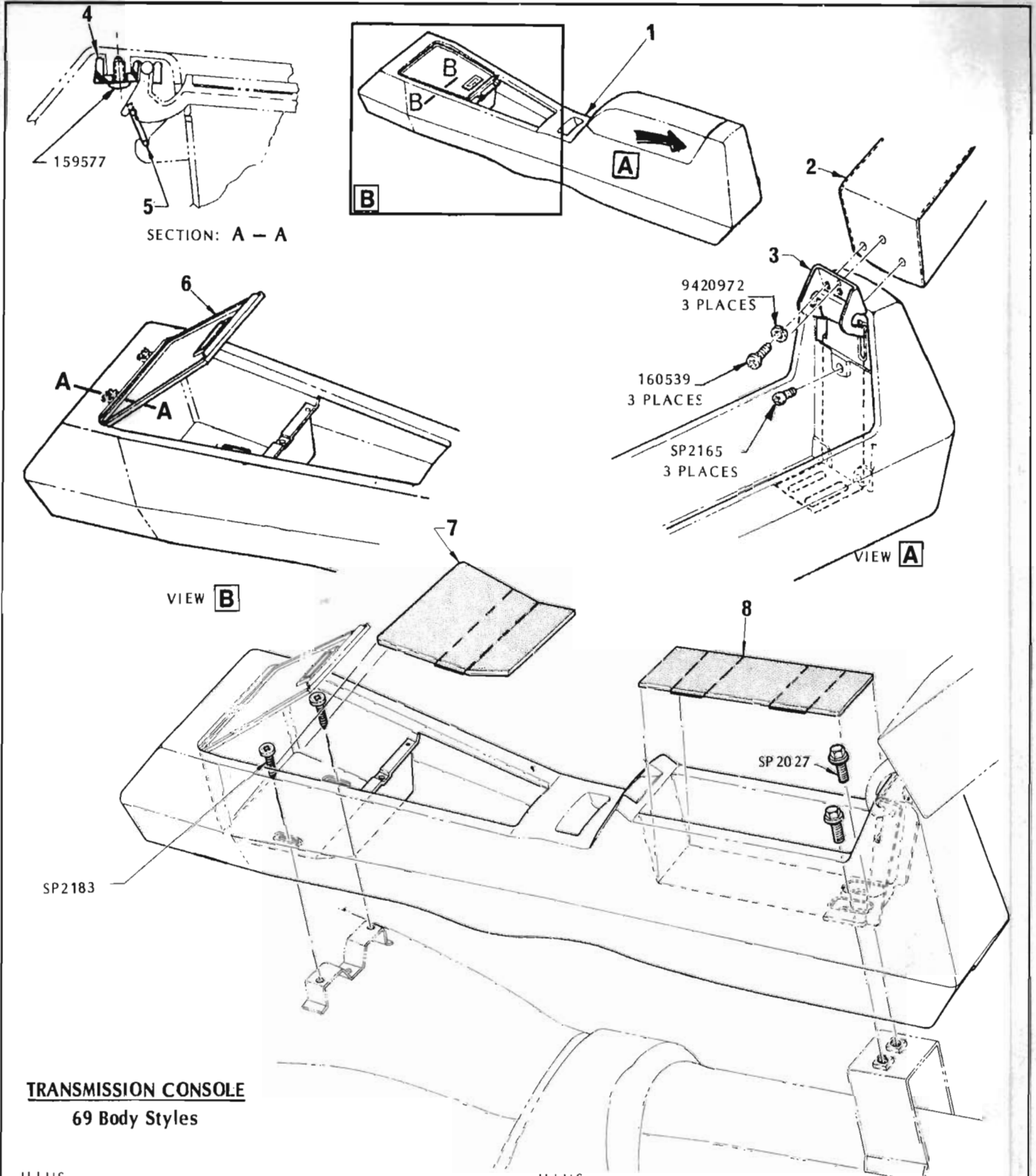
GROUP 15.000
REAR TRIM – MATS – CARPETS



FRONT SEAT SEPARATOR

ILLUS. REF. NO.	PART NAME	GROUP
1.	SEPARATOR ASSY.	15.290
2.	ARM REST ASSY.	15.288
3.	HINGE - Arm rest	15.288
4.	CARPET - Seat separator	15.291
5.	SPACER - Separator to floor support	15.290

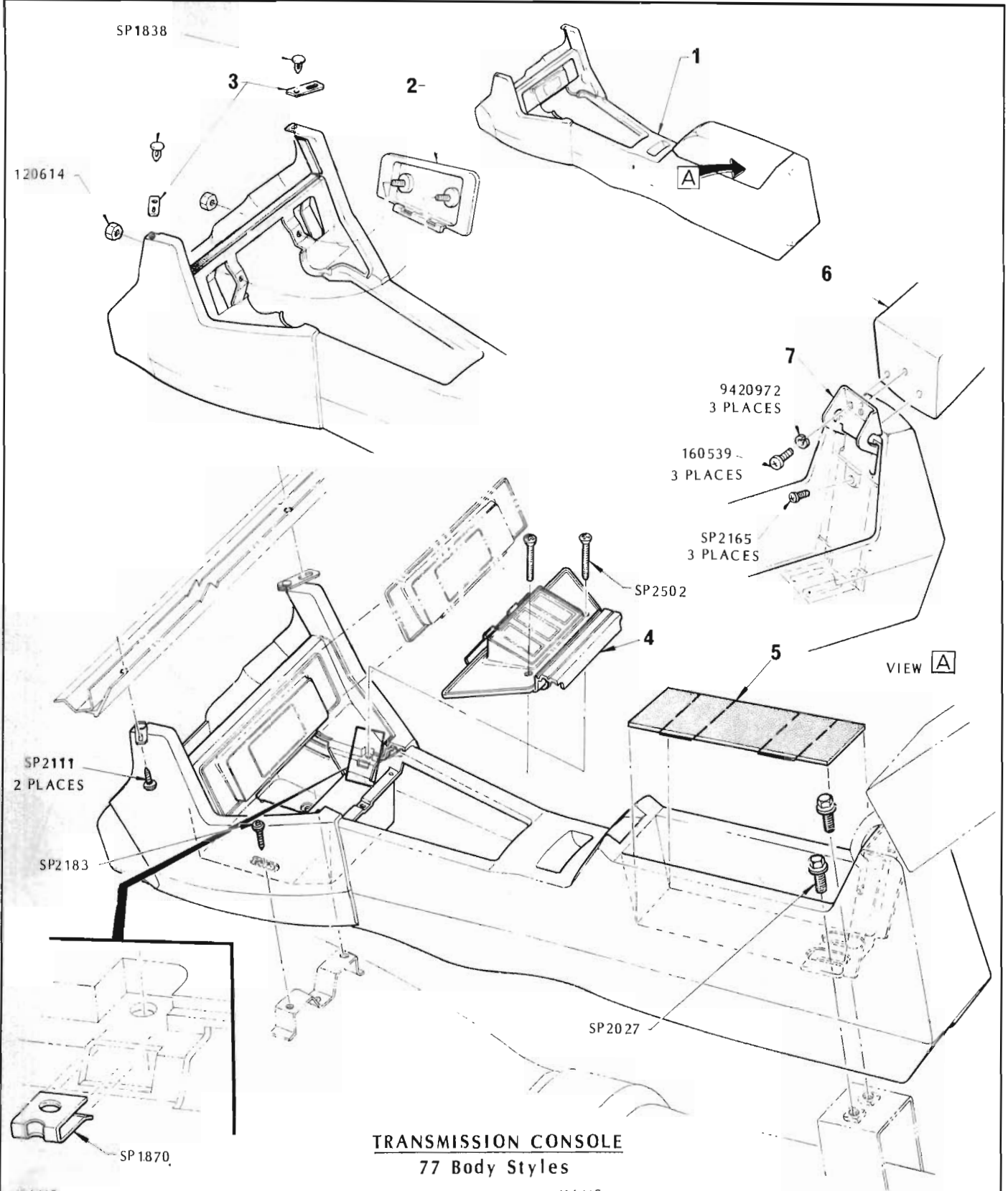
TORANA "LX" PARTS CATALOGUE



TRANSMISSION CONSOLE

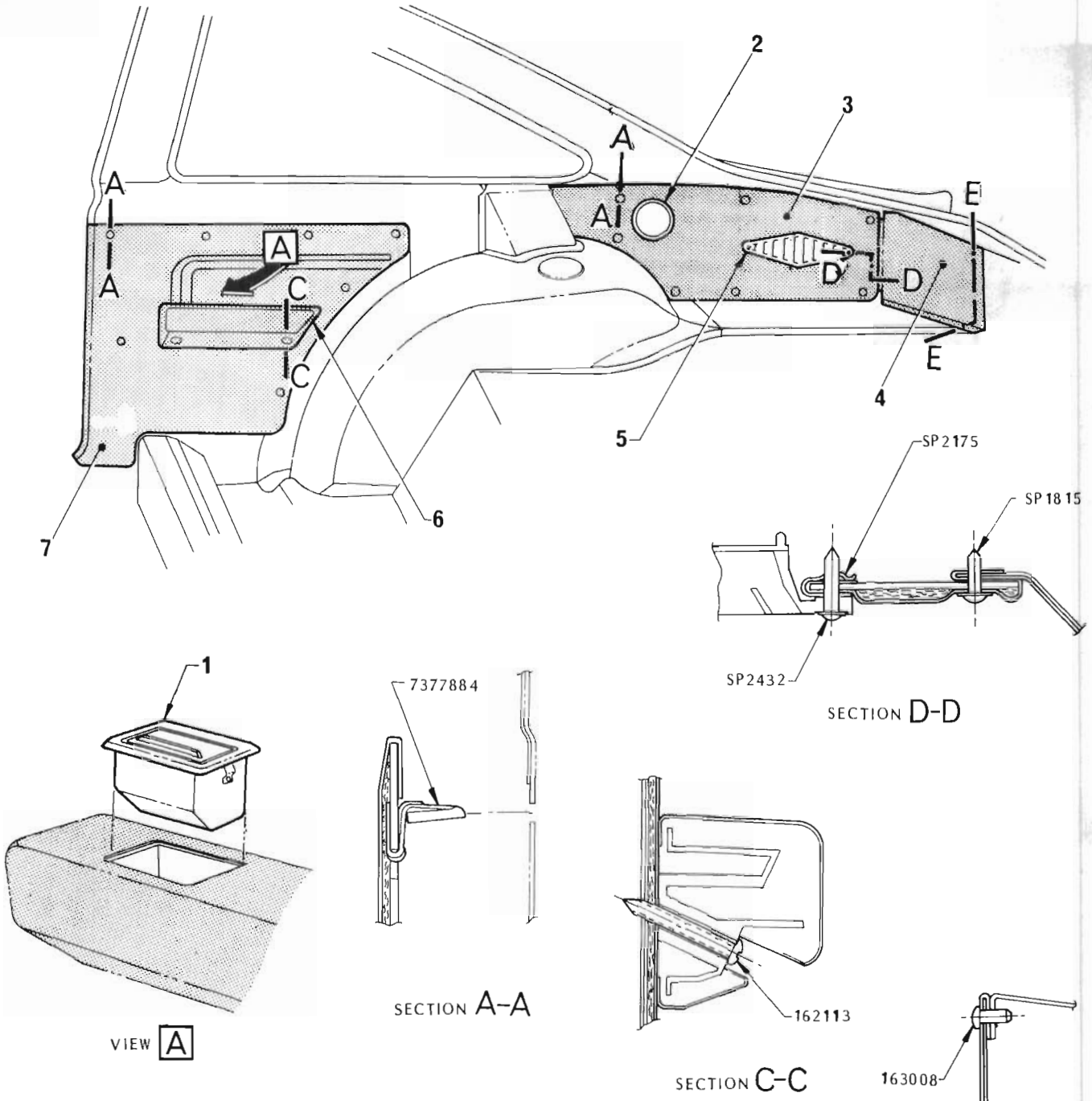
69 Body Styles

ILLUS. REF. NO.	PART NAME	GROUP	ILLUS. REF. NO.	PART NAME	GROUP
1.	HOUSING	15.290	5.	SPRING - Hold open	15.292
2.	ARM REST ASSY.	15.288	6.	LID - Console	15.292
3.	HINGE - Arm rest	15.288	7.	CARPET - Console front	15.291
4.	RETAINER - Lid	15.292	8.	CARPET - Console rear	15.291



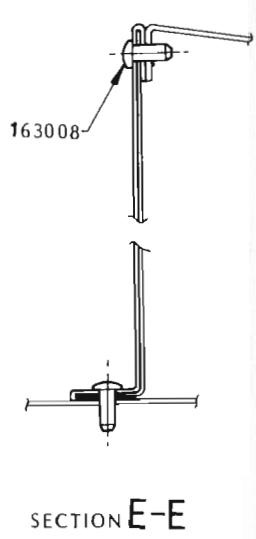
TRANSMISSION CONSOLE
77 Body Styles

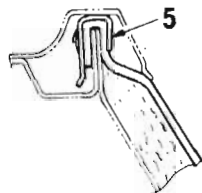
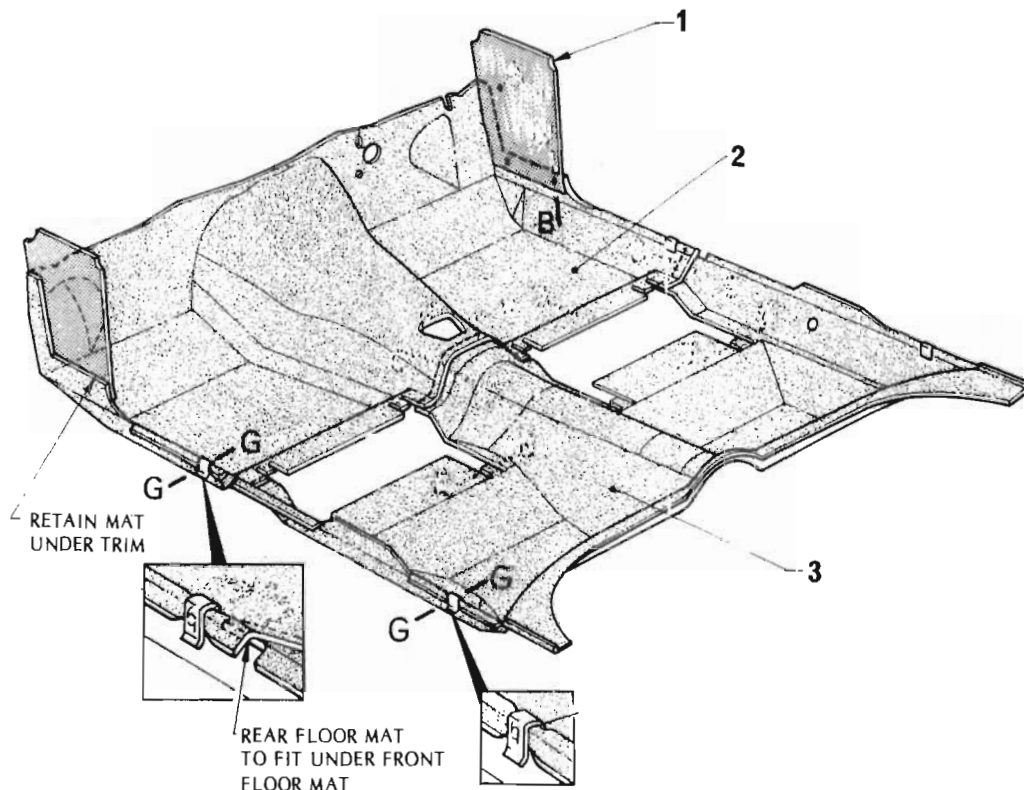
ILLUS. REF. NO.	GROUP	ILLUS. REF. NO.	GROUP
1.	HOUSING	5.	CARPET - Console
2.	ESCUTHEON - Radio opening	6.	ARM REST ASSEMBLY
3.	PLATE - Console to inst. panel	7.	HINGE - Arm rest
4.	ESCUTHEON - Switch mounting		
	15.290		15.291
	15.292		15.288
	15.290		15.288
	15.293		



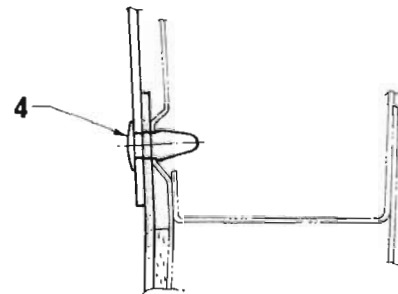
REAR QUARTER TRIM
77 Body Styles

ILLUS. REF. NO.	PART NAME	GROUP
1.	ASH TRAY Rear quarter arm rest	12.045
2.	LAMP ASSEMBLY - Rear compartment	11.960
3.	TRIM ASSY. - Rear compartment side	15.222
4.	TRIM - Rear quarter extension, rear	15.100
5.	GRILLE - Pressure relief valve	15.100
6.	ARM REST - Quarter	14.762
7.	TRIM - Rear quarter	15.100





SECTION G-G
4 PLACES



SECTION B-B

FLOOR MATS and CARPETS

ILLUS. REF. NO.	PART NAME	GROUP	ILLUS. REF. NO.	PART NAME	GROUP
1.	TRIM ASSY. - Cowl side panel lower	14.630	4.	FASTENER - Cowl side panel lower trim	14.630
2.	MAT/CARPET - Front floor	15.286	5.	NUT - Retaining	15.286/15.306
3.	MAT/CARPET - Rear floor	15.306			

TORANA "LX" PARTS CATALOGUE

GROUP	DESCRIPTION	SIDE	PART No.	QTY.	BODY STYLE	UG	UH	VB	VC	VD	
15.000	COVER - Rear seat back										
	TRIM Nos. 18V		9936170DT	1	69	X		X			
	TRIM Nos. 19V		9936170CY	1	69	X		X			
	TRIM Nos. 60V		9936170DV	1	69	X		X			
	TRIM Nos. 65V		9936170EC	1	69	X		X			
	TRIM Nos. 67V		9936170DX	1	69	X		X			
	TRIM Nos. 18V		⁽⁶⁵⁾ 9936172DT	1	69		X			X	
	TRIM Nos. 60V		9936172DV	1	69		X			X	
	TRIM Nos. 65V		9936172EC	1	69		X			X	
	TRIM Nos. 67V		9936172DX	1	69		X			X	
	TRIM Nos. 18V	LH	9936181DT	1	77		X			X	
		RH	9936180DT	1	77		X			X	
	TRIM Nos. 60V	LH	9936181DV	1	77		X			X	
		RH	9936180DV	1	77		X			X	
	TRIM Nos. 65V	LH	9936181EC	1	77		X			X	
		RH	9936180EC	1	77		X			X	
	TRIM Nos. 67V	LH	9936181DX	1	77		X			X	
		RH	9936180DX	1	77		X			X	
	TRIM Nos. 18X		9936174DT	1	69		X			X	
	TRIM Nos. 19X		⁽⁶⁶⁾ 9941433CY	1	69		X				
	TRIM Nos. 60X		9936174DV	1	69		X			X	
	TRIM Nos. 65X		9936174EC	1	69		X			X	
	TRIM Nos. 67X		9936174DX	1	69		X			X	
	TRIM Nos. 18Y		9936174EX	1	69		X			X	
	TRIM Nos. 60Y		9936174EY	1	69		X			X	
	TRIM Nos. 65Y		9936174EZ	1	69		X			X	
	TRIM Nos. 67Y		9936174FA	1	69		X			X	
	TRIM Nos. 18X	LH	9936183DT	1	77		X			X	
		RH	9936182DT	1	77		X			X	
	TRIM Nos. 60X	LH	9936183DV	1	77		X			X	
		RH	9936182DV	1	77		X			X	
	TRIM Nos. 65X	LH	9936183EC	1	77		X			X	
		RH	9936182EC	1	77		X			X	
	TRIM Nos. 67X	LH	9936183DX	1	77		X			X	
		RH	9936182DX	1	77		X			X	
	TRIM Nos. 18Y	LH	9936183EX	1	77		X			X	
		RH	9936182EX	1	77		X			X	
	TRIM Nos. 60Y	LH	9936183EY	1	77		X			X	
		RH	9936182EY	1	77		X			X	
	TRIM Nos. 65Y	LH	9936183EZ	1	77		X			X	
		RH	9936182EZ	1	77		X			X	
	TRIM Nos. 67Y	LH	9936183FA	1	77		X			X	
		RH	9936182FA	1	77		X			X	
	TRIM Nos. 18V		9936176DT	1	69						X
	TRIM Nos. 60V		9936176DV	1	69						X
	TRIM Nos. 65V		9936176EC	1	69						X
	TRIM Nos. 67V		9936176DX	1	69						X
	TRIM Nos. 18X		9936178DT	1	69						X
	TRIM Nos. 18Y		9936178EX	1	69						X
	TRIM Nos. 60Y		9936178DV	1	69						X
	TRIM Nos. 65Y		9936178EC	1	69						X
	TRIM Nos. 67Y		9936178DX	1	69						X
	TRIM Nos. 18V	LH	9936185DT	1	77						X
		RH	9936184DT	1	77						X
	TRIM Nos. 60V	LH	9936185DV	1	77						X
		RH	9936184DV	1	77						X
	TRIM Nos. 65V	LH	9936185EC	1	77						X
		RH	9936184EC	1	77						X
	TRIM Nos. 67V	LH	9936185DX	1	77						X
		RH	9936184DX	1	77						X
	TRIM Nos. 18X	LH	9936187DT	1	77						X
		RH	9936186DT	1	77						X

Note: ⁽⁶⁵⁾ Except Export Luxury Trim and Interior Equipment.
⁽⁶⁶⁾ Export Luxury Trim & Interior Equipment.

TORANA "LX" PARTS CATALOGUE

GROUP	DESCRIPTION	SIDE	PART No.	QTY.	BODY STYLE	UG	UH	VB	VC	VD
15.000	COVER - Rear seat back (contd.)									
	TRIM Nos. 18Y	LH	9936187EX	1	77					X
		RH	9936186EX	1	77					X
	TRIM Nos. 60Y	LH	9936187DV	1	77					X
		RH	9936186DV	1	77					X
	TRIM Nos. 65Y	LH	9936187EC	1	77					X
		RH	9936186EC	1	77					X
	TRIM Nos. 67Y	LH	9936187DX	1	77					X
	RH	9936186DX	1	77					X	
15.000	COVER - Rear seat back centre hinge									
	TRIM Nos 18V, 18X, 18Y		9941039DT	1	77		X		X	X
	TRIM Nos 60V, 60X, 60Y		9941039DV	1	77		X		X	X
	TRIM Nos 65V, 65X, 65Y		9941039EC	1	77		X		X	X
	TRIM Nos 67V, 67X, 67Y		9941039DX	1	77		X		X	X
	CLIP - Cover to hinge		7100321	2	77		X		X	X
15.002	PAD, SPACER - Rear seat back									
	PAD ASSY		⁽⁶⁵⁾ 9930959	1	69	X	X	X	X	X
	PAD ASSY		⁽⁶⁶⁾ 9930972	1	69		X			
	PAD ASSEMBLY - Top		9931139	1	69	X	X	X	X	X
	SPACER ASSY. - Top		9931140	1	69	X	X	X	X	X
	PAD ASSY	LH	9938887	1	77		X		X	X
	RH	9938886	1	77		X		X	X	
15.024	TRIM - Package tray									
	TRIM - Black		2824895BA	1	69	X	X	X	X	X
	TRIM - Covert		2824895DY	1	69	X	X	X	X	X
	TRIM - Dark Sienna		2824895EK	1	69	X	X	X	X	X
	TRIM - Tan		2824895DX	1	69	X	X	X	X	X
15.024	FASTENER - Package tray trim									
	FASTENER - Black		SP1838BA	4	69	X	X	X	X	X
	FASTENER - Covert		SP1838DY	4	69	X	X	X	X	X
	FASTENER - Dark Sienna		SP1838EK	1	69	X	X	X	X	X
	FASTENER - Tan		SP1838DX	4	69	X	X	X	X	X
15.024	CARPET - Package tray									
	CARPET - Black		⁽⁶⁶⁾ 9941725CY	1	69		X			
15.033	CUSHION - Rear seat									
Current production rear seat cushion assemblies will be supplied in current production trim on a firm order basis										
15.035	COVER - Rear seat cushion									
	TRIM Nos. 18V		9936171DT	1	69	X		X		
	TRIM Nos. 19V		9936171CY	1	69	X		X		
	TRIM Nos. 60V		9936171DV	1	69	X		X		
	TRIM Nos. 65V		9936171EC	1	69	X		X		
	TRIM Nos. 67V		9936171DX	1	69	X		X		
	TRIM Nos. 18V		9936173DT	1	69		X		X	
	TRIM Nos. 60V		9936173DV	1	69		X		X	
	TRIM Nos. 65V		9936173EC	1	69		X		X	
	TRIM Nos. 67V		9936173DX	1	69		X		X	
	TRIM Nos. 18V		9936035DT	1	77		X		X	
	TRIM Nos. 60V		9936035DV	1	77		X		X	
	TRIM Nos. 65V		9936035EC	1	77		X		X	
	TRIM Nos. 67V		9936035DX	1	77		X		X	
	TRIM Nos. 18X		9936175DT	1	69		X		X	
	TRIM Nos. 19X		9941432CY	1	69		X			
	TRIM Nos. 60X		9936175DV	1	69		X		X	
	TRIM Nos. 65X		9936175EC	1	69		X		X	
	TRIM Nos. 67X		9936175DX	1	69		X		X	
	Note: ⁽⁶⁵⁾ Except Export Luxury Trim and Interior Equipment. ⁽⁶⁶⁾ Export Luxury Trim & Interior Equipment.									

TORANA "LX" PARTS CATALOGUE

GROUP	DESCRIPTION	SIDE	PART No.	QTY.	BODY STYLE	UG	UH	VB	VC	VD
15.035	COVER - Rear seat cushion (contd.)									
	TRIM Nos. 18Y		9936175EX	1	69		X		X	
	TRIM Nos. 60Y		9936175EY	1	69		X		X	
	TRIM Nos. 65Y		9936175EZ	1	69		X		X	
	TRIM Nos. 67Y		9936175FA	1	69		X		X	
	TRIM Nos. 18X		9936036DT	1	77		X		X	
	TRIM Nos. 60X		9936036DV	1	77		X		X	
	TRIM Nos. 65X		9936036EC	1	77		X		X	
	TRIM Nos. 67X		9936036DX	1	77		X		X	
	TRIM Nos. 18Y		9936036EX	1	77		X		X	
	TRIM Nos. 60Y		9936036EY	1	77		X		X	
	TRIM Nos. 65Y		9936036EZ	1	77		X		X	
	TRIM Nos. 67Y		9936036FA	1	77		X		X	
	TRIM Nos. 18V		9936177DT	1	69					X
	TRIM Nos. 60V		9936177DV	1	69					X
	TRIM Nos. 65V		9936177EC	1	69					X
	TRIM Nos. 67V		9936177DX	1	69					X
	TRIM Nos. 18X		9936179DT	1	69					X
	TRIM Nos. 18Y		9936179EX	1	69					X
	TRIM Nos. 60Y		9936179DV	1	69					X
	TRIM Nos. 65Y		9936179EC	1	69					X
	TRIM Nos. 67Y		9936179DX	1	69					X
	TRIM Nos. 18V		9936037DT	1	77					X
	TRIM Nos. 60V		9936037DV	1	77					X
	TRIM Nos. 65V		9936037EC	1	77					X
	TRIM Nos. 67V		9936037DX	1	77					X
	TRIM Nos. 18X		9936038DT	1	77					X
	TRIM Nos. 18Y		9936038EX	1	77					X
	TRIM Nos. 60Y		9936038DV	1	77					X
	TRIM Nos. 65Y		9936038EC	1	77					X
	TRIM Nos. 67Y		9936038DX	1	77					X
15.036	PAD - Rear seat cushion									
	PAD ASSY.		⁽⁵⁵⁾ 9937502	1	69	X	X	X	X	X
	PAD ASSY		⁽⁶⁶⁾ 9937503	1	69		X			
	PAD - Cushion spring		7414105	1	69	X	X	X	X	X
	PAD ASSY.		9934842	1	77		X		X	X
	SUPPORT - Pad assy.		9934883	1	77		X		X	X
15.040	BELT - Rear seat - Lap & Shoulder									
	BELT ASSEMBLY(Black)		⁽⁴¹⁾ 9939601	2	69	X	X	X	X	X
	BOLT - Centre attaching		9934331	2	69	X	X	X	X	X
	SPACER - Side lower & centre attaching (.30" Thick)		9929669	4	69	X	X	X	X	X
	SPACER - Side upper attaching (.36" Thick)		9932904	2	69	X	X	X	X	X
	SPACER - Centre attaching (.42" Thick)		9929668	2	69	X	X	X	X	X
	WASHER - Seat belt mounting		SP2204	4	69	X	X	X	X	X
15.040	BELT - Rear seat - Lap & Shoulder - (Cooldrive)									
	BELT ASSEMBLY(Black)		9938797	2	69	X	X	X	X	X
	BOLT - Side attaching		9929664	4	69	X	X	X	X	X
	BOLT - Centre attaching		9934331	2	69	X	X	X	X	X
	SLEEVE - Seat belt retention		9935955	2	69, 77	X	X	X	X	X
	SPACER - Side lower & centre attaching (.30" thick)		9929669	4	69	X	X	X	X	X
	SPACER - Side upper attaching (.36" thick)		9932904	2	69	X	X	X	X	X
	SPACER - Centre attaching (.42" thick)		9929668	2	69	X	X	X	X	X
	WASHER - Seat belt mounting		SP2204	4	69	X	X	X	X	X
	WASHER - Seat belt mounting		SP1899	2	77		X		X	X
15.040	BELT - Rear seat - Centre Lap (Rainsford)									
	BELT ASSEMBLY(Black)		⁽⁴¹⁾ 9939600	1	69	X	X	X	X	X
	Note: ⁽⁴¹⁾ Use with ADR4C									
	⁽⁶⁵⁾ Except Export Luxury Trim and Interior Equipment.									
	⁽⁶⁶⁾ Export Luxury Trim & Interior Equipment.									

TORANA "LX" PARTS CATALOGUE

GROUP	DESCRIPTION	SIDE	PART No.	QTY.	BODY STYLE	UG	UH	VB	VC	VD
15.040	BELT - Rear seat - Centre Lap - (Cooldrive) BELT ASSEMBLY(Black)		9938799	1	69	X	X	X	X	X
15.040	SLEEVE - Rear seat belt protector SLEEVE(Black)		9932906BA	2	69	X	X	X	X	X
15.040	HOOK - Seat Belt Stowage HOOK - Stowage		9932905BA	2	69, 77	X	X	X	X	X
15.100	TRIM - Rear quarter lower									
	TRIM - Slate Black	LH	E765DT	1	69	X	X	X	X	X
		RH	E764DT	1	69	X	X	X	X	X
	TRIM - Black	LH	E765CY	1	69	X	X	X	X	X
		RH	E764CY	1	69	X	X	X	X	X
	TRIM - Chamois	LH	E765DV	1	69	X	X	X	X	X
		RH	E764DV	1	69	X	X	X	X	X
	TRIM - Tan	LH	E765DX	1	69	X	X	X	X	X
		RH	E764DX	1	69	X	X	X	X	X
	TRIM - Sienna	LH	E765EC	1	69	X	X	X	X	X
		RH	E764EC	1	69	X	X	X	X	X
	TRIM - Dove Grey	LH	E765DR	1	69	X	X	X	X	X
		RH	E764DR	1	69	X	X	X	X	X
	TRIM - Slate Black	LH	E765DT	1	69	X	X	X	X	X
		RH	E764DT	1	69	X	X	X	X	X
	TRIM - Jade	LH	E765DU	1	69	X	X	X	X	X
		RH	E764DU	1	69	X	X	X	X	X
	TRIM - Chamois	LH	E765DV	1	69	X	X	X	X	X
		RH	E764DV	1	69	X	X	X	X	X
	TRIM - Gazelle	LH	E765DW	1	69	X	X	X	X	X
		RH	E764DW	1	69	X	X	X	X	X
	TRIM - Slate black	LH	G095DT	1	77		X		X	X
		RH	G094DT	1	77		X		X	X
	TRIM - Chamois	LH	G095DV	1	77		X		X	X
		RH	G094DV	1	77		X		X	X
	TRIM - Sienna	LH	G095EC	1	77		X		X	X
		RH	G094EC	1	77		X		X	X
	TRIM - Tan	LH	G095DX	1	77		X		X	X
		RH	G094DX	1	77		X		X	X
15.100	TRIM - Rear quarter upper									
	TRIM - Slate black	LH	9938969DT	1	77		X		X	X
		RH	9938968DT	1	77		X		X	X
	TRIM - Chamois	LH	9938969DV	1	77		X		X	X
		RH	9938968DV	1	77		X		X	X
	TRIM - Sienna	LH	9938969EC	1	77		X		X	X
		RH	9938968EC	1	77		X		X	X
	TRIM - Tan	LH	9938969DX	1	77		X		X	X
		RH	9938968DX	1	77		X		X	X
15.100	TRIM - Rear quarter									
	TRIM - Slate black	LH	9938779DT	1	77		X		X	
		RH	9938780DT	1	77		X		X	
	TRIM - Chamois	LH	9938779DV	1	77		X		X	
		RH	9938780DV	1	77		X		X	
	TRIM - Sienna	LH	9938779EC	1	77		X		X	
		RH	9938780EC	1	77		X		X	
	TRIM - Tan	LH	9938779DX	1	77		X		X	
		RH	9938780DX	1	77		X		X	
	TRIM - Slate black	LH	9938781DT	1	77					X
		LH	9938782DT	1	77					X
	TRIM - Chamois	LH	9938781DV	1	77					X
		RH	9938782DV	1	77					X
	TRIM - Sienna	LH	9938781EC	1	77					X
		RH	9938782EC	1	77					X
	TRIM - Tan	LH	9938781DX	1	77					X
		RH	9938782DX	1	77					X

TORANA "LX" PARTS CATALOGUE

GROUP	DESCRIPTION	SIDE	PART No.	QTY.	BODY STYLE	UG	UH	VB	VC	VD
15.100	CARPET - Wheelhouse									
	CARPET - Black	LH	9938971BA	1	77		X		X	X
		RH	9938970BA	1	77		X		X	X
	CARPET - Covert	LH	9938971DY	1	77		X		X	X
		RH	9938970DY	1	77		X		X	X
	CARPET - Sienna	LH	9938971EC	1	77		X		X	X
		RH	9938970EC	1	77		X		X	X
	CARPET - Tan	LH	9938971DX	1	77		X		X	X
		RH	9938970DX	1	77		X		X	X
	STUD - Carpet retaining		SP1017	4	77		X		X	X
SCREW - Carpet to tonneau side sill		SP1855	2	77		X		X	X	
15.100	TRIM - Rear compartment side									
	TRIM - Slate black	LH	9938807DT	1	77		X		X	X
		RH	9938808DT	1	77		X		X	X
	TRIM - Chamois	LH	9938807DV	1	77		X		X	X
		RH	9938808DV	1	77		X		X	X
	TRIM - Sienna	LH	9938807EC	1	77		X		X	X
		RH	9938808DX	1	77		X		X	X
	TRIM - Tan	LH	9938807DX	1	77		X		X	X
15.100	TRIM - Rear quarter extension									
	TRIM - Slate black	LH	9938905DT	1	77		X		X	X
		RH	9938906DT	1	77		X		X	X
	TRIM - Chamois	LH	9938905DV	1	77		X		X	X
		RH	9938906DV	1	77		X		X	X
	TRIM - Sienna	LH	9938905EC	1	77		X		X	X
		RH	9938906EC	1	77		X		X	X
	TRIM - Tan	LH	9938905DX	1	77		X		X	X
		RH	9938906DX	1	77		X		X	X
	SCREW - Trim		163098	4	77		X		X	X
15.100	GRILLE - Rear quarter trim									
	GRILLE		2816126	2	77		X		X	X
	SCREW - Grille to trim panel		SP2432	4	77		X		X	X
	NUT - Grille to trim panel		SP2175	4	77		X		X	X
15.103	PAD - Rear quarter upper									
PAD		E678	2	69	X	X	X	X	X	
15.222	COVER - Spare wheel									
	COVER - Black		⁽⁶⁵⁾ 9938681	1	69	X	X	X	X	X
	COVER - Black		⁽⁶⁶⁾ 9941726	1	69		X			
15.280	INSULATOR - Dash panel									
	INSULATOR ASSY RIGHT HAND DRIVE	LH	⁽⁶⁵⁾ 9931455	1	69.77	X	X	X	X	X
		RH	⁽⁶⁵⁾ 9931458	1	69.77	X	X	X	X	X
	INSULATOR ASSY LEFT HAND DRIVE	RH	⁽⁶⁵⁾ 9931456	1	69.77	X	X	X	X	X
	INSULATOR ASSY RIGHT HAND DRIVE	LH	⁽⁶⁶⁾ 9940825	1	69		X			
		RH	⁽⁶⁶⁾ 9940826	1	69		X			
	INSULATOR ASSY LEFT HAND DRIVE	LH	⁽⁶⁶⁾ 9940829	1	69		X			
		RH	⁽⁶⁶⁾ 9940830	1	69		X			
FASTENER - Insulator to dash panel		3730562	2	69		X				
15.286	MAT - Front floor									
	MAT - Black - Heavy duty RIGHT HAND DRIVE		9941108BA	1	69	X		X		
	MAT - Covert - Heavy duty RIGHT HAND DRIVE		9941108DY	1	69	X		X		
	MAT - Tan - Heavy duty RIGHT HAND DRIVE		9941108DX	1	69	X		X		
	NUT - Retaining		SP2501	4	69	X		X		

Note: ⁽⁶⁵⁾ Except Export Luxury Trim and Interior Equipment.
⁽⁶⁶⁾ Export Luxury Trim & Interior Equipment.

TORANA "LX" PARTS CATALOGUE

GROUP	DESCRIPTION	SIDE	PART No.	QTY.	BODY STYLE	UG	UH	VB	VC	VD		
15.286	CARPET - Front floor											
	CARPET - Black	RIGHT HAND DRIVE	(⁴⁴ 9941698BA	1	69	X		X				
	CARPET - Covert	RIGHT HAND DRIVE	(⁴⁴ 9941698DY	1	69	X		X				
	CARPET - Tan	RIGHT HAND DRIVE	(⁴⁴ 9941698DX	1	69	X		X				
	CARPET - Black	RIGHT HAND DRIVE	(⁶⁶ 9941672CY	1	69		X					
	CARPET - Black	RIGHT HAND DRIVE	(⁴³ 9941697BA	1	69			X				
	CARPET - Covert	RIGHT HAND DRIVE	(¹³ 9941697DY	1	69			X				
	CARPET - Tan	RIGHT HAND DRIVE	(⁴³ 9941697DX	1	69			X				
	CARPET - Black	RIGHT HAND DRIVE	(⁴³ 9940817BA	1	69				X			
	CARPET - Covert	RIGHT HAND DRIVE	(⁴³ 9940817DY	1	69				X			
	CARPET - Tan	RIGHT HAND DRIVE	(⁴³ 9940817DX	1	69				X			
	CARPET - Black	RIGHT HAND DRIVE	(⁴⁴ 9940818BA	1	69, 77		X		X	X		
	CARPET - Covert	RIGHT HAND DRIVE	(⁴⁴ 9940818DY	1	69, 77		X		X	X		
	CARPET - Sienna	RIGHT HAND DRIVE	(⁴⁴ 9940818EC	1	69, 77		X		X	X		
	CARPET - Tan	RIGHT HAND DRIVE	(⁴⁴ 9940818DX	1	69, 77		X		X	X		
	CARPET - Black	LEFT HAND DRIVE	(⁴⁴ 9941702BA	1	69	X		X				
	CARPET - Covert	LEFT HAND DRIVE	(⁴⁴ 9941702DY	1	69	X		X				
	CARPET - Tan	LEFT HAND DRIVE	(⁴⁴ 9941702DX	1	69	X		X				
	CARPET - Black	LEFT HAND DRIVE	(⁶⁶ 9941673CY	1	69		X					
	CARPET - Black	LEFT HAND DRIVE	(⁴³ 9941701BA	1	69				X			
	CARPET - Covert	LEFT HAND DRIVE	(⁴³ 9941701DY	1	69				X			
	CARPET - Tan	LEFT HAND DRIVE	(⁴³ 9941701DX	1	69				X			
	CARPET - Black	LEFT HAND DRIVE	(⁴³ 9928508BA	1	69					X		
	CARPET - Covert	LEFT HAND DRIVE	(⁴³ 9928508DY	1	69					X		
	CARPET - Dark Sienna	LEFT HAND DRIVE	(⁴³ 9928508EK	1	69					X		
	CARPET - Tan	LEFT HAND DRIVE	(⁴³ 9928508DX	1	69					X		
	CARPET - Black	LEFT HAND DRIVE	(⁴⁴ 9928587BA	1	69, 77		X		X			
	CARPET - Covert	LEFT HAND DRIVE	(⁴⁴ 9928587DY	1	69, 77		X		X			
	CARPET - Dark Sienna	LEFT HAND DRIVE	(⁴⁴ 9928587EK	1	69, 77		X		X			
	CARPET - Tan	LEFT HAND DRIVE	(⁴⁴ 9928587DX	1	69, 77		X		X			
	NUT - Retaining		SP2501	4	69, 77	X	X	X	X	X		
	15.288	ARM REST - Console and front seat separator										
		ARM REST ASSY. - Black		9933024CY	1	69	X		X			
		ARM REST ASSY. - Black		(⁶⁶ 9941582CY	1	69		X				
		ARM REST ASSY. - Slate Black		9933024DT	1	69, 77	X	X	X	X		
		ARM REST ASSY. - Chamois		9933024DV	1	69, 77	X	X	X	X		
ARM REST ASSY. - Sienna			9933024EC	1	69, 77	X	X	X	X			
ARM REST ASSY. - Tan			9933024DX	1	69, 77	X	X	X	X			
ARM REST ASSY. - Slate Black			9933024DT	1	69					X		
ARM REST ASSY. - Chamois			9933024DV	1	69					X		
ARM REST ASSY. - Sienna			9933024EC	1	69					X		
ARM REST ASSY. - Tan			9933024DX	1	69					X		
ARM REST ASSY. - Black			9933024CY	1	77					X		
15.288		PAD, HINGE - Console and seat separator arm rest										
	PAD		9933025	1	69, 77	X	X	X	X	X		
	HINGE		9933021	1	69, 77	X	X	X	X	X		
	SCREW - Hinge to armrest		160539	3	69, 77	X	X	X	X	X		
	WASHER - Hinge to arm rest		9420972	3	69, 77	X	X	X	X	X		
	PLATE - Arm rest closing		9933030	1	69, 77	X	X	X	X	X		
	SCREW - Plate to armrest		SP2430	1	69, 77	X	X	X	X	X		
15.289	COVER - Console and seat separator arm rest											
	COVER - Black		9933029CY	1	69	X		X				
	COVER - Black		(⁶⁶ 9941577CY	1	69		X					
	COVER - Slate Black		9933029DT	1	69, 77	X	X	X	X			
	COVER - Chamois		9933029DV	1	69, 77	X	X	X	X			
	COVER - Sienna		9933029EC	1	69, 77	X	X	X	X			
	COVER - Tan		9933029DX	1	69, 77	X	X	X	X			
Note: (⁴³ Use with front bench seat. (⁴⁴ Use with front bucket seat. (⁶⁶ Export Luxury Trim & Interior Equipment.												

TORANA "LX" PARTS CATALOGUE

GROUP	DESCRIPTION	SIDE	PART No.	QTY.	BODY STYLE	UG	UH	VB	VC	VD	
15.289	COVER - Console and seat separator arm rest (contd.)										
	COVER - Slate Black		9933029	1	69						X
	COVER - Chamois		9933029DV	1	69						X
	COVER - Sienna		9933029EC	1	69						X
	COVER - Tan		9933029DX	1	69						X
	COVER - Black		9933029CY	1	77						X
15.290	SEPARATOR, BRACKET - Front seat										
	SEPARATOR (Steering Column Shift)		9933036	1	69			X	X		
	BRACKET (Steering Column Shift)		9933031	2	69			X	X		
	SPACER (Steering Column Shift)		9940392	1	69			X	X		
15.290	HOUSING, BRACKET - Transmission console										
	HOUSING - Torquemaster transmission		9933970	1	69	X	X				
	HOUSING - Automatic transmission		9933853	1	69	X	X				
	HOUSING		9933853	1	69			X	X	X	
	HOUSING - Torquemaster transmission exc. New Zealand		9933970	1	77		X				
	HOUSING - Torquemaster transmission New Zealand		9941977	1	77		X				
	HOUSING - Automatic transmission		9939641	1	77		X				
	HOUSING		9939641	1	77				X	X	
	HOUSING - Fitted with taxi equipment		9941069	1	69				X		
	STRIP - Anti-rattle, centre		9942627	1	77		X			X	X
	STRIP - Anti-rattle, side		9942784	2	77		X			X	X
	PLATE - Console to instrument panel		9936055	2	77		X			X	X
	FASTENER - Plate to console		SP1838BA	2	77		X			X	X
	SCREW - Console to rear bracket		SP2027	2	69,77	X	X	X	X	X	X
	SCREW - Console to front bracket		SP2183	2	69,77	X	X	X	X	X	X
	BRACKET - Front mounting		9933381	1	69,77	X	X	X	X	X	X
BRACKET - Rear mounting		9933379	1	69,77	X	X	X	X	X	X	
15.291	CARPET - Console compartment										
	CARPET - Front		D145	1	69	X	X	X	X	X	
	CARPET - Rear		F250	1	69,77	X	X	X	X	X	
	LACE - Console finish - Fitted with taxi equipment		9941157	2	69			X			
15.292	LID, RETAINER, SPRING, BUMPER, INSERT - Transmission console										
	LID ASSEMBLY		2816801	1	69	X		X			
	LID ASSEMBLY		9941341	1	69		X		X		
	LID ASSEMBLY		9928866	1	69						X
	RETAINER - Lid		2816966	2	69	X	X	X	X	X	X
	SCREW - Lid & retainer to console		159577	1	69	X	X	X	X	X	X
	SPRING - Hold open		2822287	1	69	X	X	X	X	X	X
	BUMPER - Lid		7438383	1	69	X	X	X	X	X	X
	INSERT - Manual gearshift pattern		2818184	1	69				X	X	X
	ESCUTCHEON - Console radio opening exc. New Zealand		9939642	1	77		X				
	ESCUTCHEON - Console radio opening, New Zealand		9941978	1	77		X				
	ESCUTCHEON - Console radio opening		9939642	1	77					X	
	ESCUTCHEON - Console radio opening		9939345	1	77						X
	NUT - Escutcheon to console		SP1534	2	77		X			X	X
	ESCUTCHEON - Console switch mounting, Black		9939643CY	1	77		X			X	
	ESCUTCHEON - Console switch mounting, Dark Sienna		9939643EK	1	77		X			X	
	ESCUTCHEON - Console switch mounting, Tan		9939643DX	1	77		X			X	
	ESCUTCHEON - Console switch mounting, Black		9939346CY	1	77						X
	SCREW - Switch escutcheon to console		SP2502	2	77		X			X	X
	NUT - Switch escutcheon to console		SP1870	2	77		X			X	X
15.293	COVER - Transmission control housing										
	COVER - Manual (Console Shift)		9941345	1	69		X				
	COVER - Manual (Console Shift) exc. New Zealand		9941345	1	77		X				
	COVER - Manual (Console Shift), New Zealand		9941979	1	77		X				
	COVER - Manual (Console Shift)		2817277	1	69			X			

TORANA "LX" PARTS CATALOGUE

GROUP	DESCRIPTION	SIDE	PART No.	QTY.	BODY STYLE	UG	UH	VB	VC	VD		
15.293	COVER - Transmission control housing (contd.)											
	COVER Manual (Console Shift)		9941343	1	69				X			
	COVER Manual (Console Shift)		9940791	1	77				X			
	COVER Manual (Console Shift)		9928997	1	69, 77					X		
	SCREW Cover to console		9421137	2	69, 77		X	X	X	X		
COVER Automatic (Console Shift) exc. 5 Litre Eng.		9930120	1	69					X			
15.294	CARPET, MAT - Luggage compartment floor											
	CARPET		⁽⁸⁶⁾ 9941768	1	69		X					
	MAT		⁽⁸⁵⁾ 2825538	1	69	X	X	X	X	X		
15.306	MAT - Rear floor											
	MAT - Black, Heavyduty		9941068BA	1	69	X		X				
	MAT - Covert, Heavyduty		9941068DY	1	69	X		X				
	MAT - Tan, Heavyduty		9941068DX	1	69	X		X				
	MAT - Jade		2825506DU	1	69	X						
NUT Retaining		SP2501	4	69	X		X					
15.306	CARPET - Rear floor											
	CARPET - Black (New Zealand)		⁽⁸⁶⁾ 9941717CY	1	69		X					
	CARPET - Black (Exc. New Zealand)		⁽⁸⁶⁾ 9941674CY	1	69		X					
	CARPET - Black		⁽⁴³⁾ 9941703BA	1	69			X				
	CARPET - Covert		⁽⁴³⁾ 9941703DY	1	69			X				
	CARPET - Tan		⁽⁴³⁾ 9941703DX	1	69			X				
	CARPET - Black		⁽⁴³⁾ 9941071BA	1	69				X			
	CARPET - Covert		⁽⁴³⁾ 9941071DY	1	69				X			
	CARPET - Sienna		⁽⁴³⁾ 9941071EC	1	69				X			
	CARPET - Tan		⁽⁴³⁾ 9941071DX	1	69				X			
	CARPET - Black		⁽⁴⁴⁾ 9942094	1	69	X		X				
	CARPET - Covert		⁽⁴⁴⁾ 9942094	1	69	X		X				
	CARPET - Tan		⁽⁴⁴⁾ 9942094	1	69	X		X				
	CARPET - Black		⁽⁴⁴⁾ 9942095	1	69		X		X	X		
	CARPET - Covert		⁽⁴⁴⁾ 9942095	1	69		X		X	X		
	CARPET - Sienna		⁽⁴⁴⁾ 9942095	1	69		X		X	X		
	CARPET - Tan		⁽⁴⁴⁾ 9942095	1	69		X		X	X		
	CARPET - Black		⁽⁴¹⁾ 9932897BA	1	77		X		X	X		
	CARPET - Covert		⁽⁵⁴⁾ 9932897DY	1	77		X		X	X		
	CARPET - Sienna		⁽⁸⁴⁾ 9932897EC	1	77		X		X	X		
	CARPET - Tan		⁽⁸⁴⁾ 9932897DY	1	77		X		X	X		
	CARPET - Black		⁽⁸⁵⁾ 9932897	1	77		X		X	X		
	CARPET - Covert		⁽⁸⁵⁾ 9932897	1	77		X		X	X		
	CARPET - Sienna		⁽⁸⁵⁾ 9932897	1	77		X		X	X		
	CARPET - Tan		⁽⁸⁵⁾ 9932897	1	77		X		X	X		
	15.306	CARPET - Rear floor rear										
		CARPET Black		⁽⁴¹⁾ 9938910BA	1	77		X		X	X	
CARPET Covert			⁽⁸⁴⁾ 9938910DY	1	77		X		X	X		
CARPET Sienna			⁽⁸⁴⁾ 9938910EC	1	77		X		X	X		
CARPET Tan			⁽⁸⁴⁾ 9938910DX	1	77		X		X	X		
SCREW Carpet to floor			SP2192	2	77		X		X	X		
NUT Retaining		SP2501	4	69, 77	X	X	X	X	X			
15.308	CARPET - Rear compartment floor											
	CARPET - Black		9938963BA	1	77		X		X	X		
	CARPET - Covert		9938963DY	1	77		X		X	X		
	CARPET - Dark Sienna		9938963EK	1	77		X		X	X		
	CARPET - Sienna		9938963EC	1	77		X		X	X		
	CARPET - Tan		9938963DX	1	77		X		X	X		
	STUD - Tonneau floor carpet retainer		SP1017	4	77		X		X	X		
Note: ⁽⁴³⁾ Use with front bench seat. ⁽⁴⁴⁾ Use with front bucket seat. ⁽⁶⁵⁾ Except Export Luxury Trim and Interior Equipment. ⁽⁸⁶⁾ Export Luxury Trim & Interior Equipment. ⁽⁸⁴⁾ Two piece carpet. ⁽⁸⁵⁾ One piece carpet.												

TORANA "LX" PARTS CATALOGUE

GROUP	DESCRIPTION	SIDE	PART No.	QTY.	BODY STYLE	UG	UH	VB	VC	VD
15.309	CARPET - Rear compartment rear									
	CARPET - Black		9936022BA	1	77		X		X	X
	CARPET - Covert		9936022DY	1	77		X		X	X
	CARPET - Dark Sienna		9936022EK	1	77		X		X	X
	CARPET - Sienna		9936022EC	1	77		X		X	X
	CARPET - Tan		9936022DX	1	77		X		X	X
15.310	TRIM - Rear seat back filler									
	TRIM - Slate Black	LH	G051DT	1	77		X		X	X
		RH	G052DT	1	77		X		X	X
	TRIM - Chamois	LH	G051DV	1	77		X		X	X
		RH	G052DV	1	77		X		X	X
	TRIM - Sienna	LH	G051EC	1	77		X		X	X
		RH	G052EC	1	77		X		X	X
	TRIM - Tan	LH	G051DX	1	77		X		X	X
RH		G052DX	1	77		X		X	X	
15.310	CARPET - Rear seat back rear									
	CARPET - Slate black	LH	9938959BA	1	77		X		X	X
		RH	9938960BA	1	77		X		X	X
	CARPET - Chamois	LH	9938959DY	1	77		X		X	X
		RH	9938960DY	1	77		X		X	X
	CARPET - Sienna	LH	9938959EC	1	77		X		X	X
		RH	9938960EC	1	77		X		X	X
	CARPET - Tan	LH	9938959DX	1	77		X		X	X
RH		9938960DX	1	77		X		X	X	
15.310	CARPET - Rear seat back filler									
	CARPET - Slate black	LH	9939569BA	1	77		X		X	X
		RH	9939568BA	1	77		X		X	X
	CARPET - Chamois	LH	9939569DY	1	77		X		X	X
		RH	9939568DY	1	77		X		X	X
	CARPET - Sienna	LH	9939569EC	1	77		X		X	X
		RH	9939568EC	1	77		X		X	X
	CARPET - Tan	LH	9939569DX	1	77		X		X	X
RH		9939568DX	1	77		X		X	X	
15.390	HANDLE - Assist grip									
	HANDLE - Black		9928482BA	3	69,77		X	X	X	X
	HANDLE - Chamois		9928482DV	3	69,77		X	X	X	X
	HANDLE - Sienna		9928482EC	3	69,77		X	X	X	X
	HANDLE - Tan		9928482DX	3	69,77		X	X	X	X
	SCREW - Handle attaching		9414712	12	69,77		X	X	X	X
15.492	DEADENER - Sound, floor pan									
DEADENER - Floor pan 20" x 15"		M36770	A.R.	69,77	X	X	X	X	X	
15.520	WINDLACE - Front door opening									
	WINDLACE - Black		2808877BA	2	69	X	X	X	X	X
	WINDLACE - Chamois		2808877DV	2	69	X	X	X	X	X
	WINDLACE - Sienna		2808877EC	2	69	X	X	X	X	X
	WINDLACE - Tan		2808877DX	2	69	X	X	X	X	X
	WINDLACE - Black		9931253BA	2	77		X		X	X
	WINDLACE - Chamois		9931253DV	2	77		X		X	X
	WINDLACE - Sienna		9931253EC	2	77		X		X	X
	WINDLACE - Tan		9931253DX	2	77		X		X	X
15.520	WINDLACE - Rear door opening									
	WINDLACE - Black		2808874BA	2	69	X	X	X	X	X
	WINDLACE - Chamois		2808874DV	2	69	X	X	X	X	X
	WINDLACE - Sienna		2808874EC	2	69	X	X	X	X	X
	WINDLACE - Tan		2808874DX	2	69	X	X	X	X	X

TORANA "LX" PARTS CATALOGUE

PART No.	GROUP	PART No.	GROUP	PART No.	GROUP	PART No.	GROUP	PART No.	GROUP
CT22	0.799	M37125	12.248	M37682	10.146	SP1649	0.033	SP1885	4.342 U
D145	15.291	M37135	8.800	M37686	9.610	SP1649	0.553	SP1896	10.222
E432	12.803	M37137	2.374	M37690	8.823	SP1650	0.269	SP1899	7.370
E678	15.103	M37209	8.823	M37703	8.055	SP1652	0.033	SP1899	15.040
E681DT	14.730	M37365	0.643	M37715BW	9.614	SP1665	5.545	SP1900	2.679
E681DV	14.730	M37366	0.643	M37715BY	9.614	SP1701	1.069	SP1900	9.779
E681DX	14.730	M37367	0.643	M37716BW	9.614	SP1701	1.251	SP1920	12.982
E682DT	14.730	M37403	10.550	M37716BY	9.614	SP1701	9.220	SP1932	11.960
E682DV	14.730	M37425	4.005 A	M37717BW	9.614	SP1701	9.779	SP1940	6.508
E682DX	14.730	M37446BLK	9.614	M37717BY	9.614	SP1708	5.387	SP1956	0.852
E682EC	14.730	M37446BLU	9.614	M37731	9.614	SP1710	8.010	SP1961	4.038 U
E689EC	14.730	M37446GRN	9.614	M37732	9.614	SP1710	10.260	SP1975	0.553
E764CY	15.100	M37446MAN	9.614	M37733	9.614	SP1724	3.910	SP1976	3.902
E764DR	15.100	M37446MRN	9.614	M37734	9.614	SP1730	0.839	SP1982	9.778
E764DT	15.100	M37446RED	9.614	M37741	8.800	SP1733	2.728	SP1986	10.160
E764DU	15.100	M37446RYL	9.614	PF10	1.835	SP1733	10.230	SP1989	7.243
E764DV	15.100	M37446TAN	9.614	SD	1.835	SP1734	2.515	SP1989	7.370
E764DW	15.100	M37447BLK	9.614	SP1004	1.166	SP1735	4.826	SP1991	10.829
E764DX	15.100	M37447BLU	9.614	SP1017	15.100	SP1750	10.262	SP1994	4.901
E764EC	15.100	M37447GRN	9.614	SP1017	15.308	SP1756	0.787	SP1994	9.195
E765CY	15.100	M37447MAN	9.614	SP1099	2.586	SP1758	9.779	SP1994	9.275
E765DR	15.100	M37447MRN	9.614	SP1099	4.594	SP1762	9.278	SP2013	8.143
E765DT	15.100	M37447RED	9.614	SP1229	6.524	SP1762	9.779	SP2024	4.010 U
E765DU	15.100	M37447RYL	9.614	SP1328	3.430	SP1763	3.288	SP2024	4.015 F
E765DV	15.100	M37447TAN	9.614	SP1328	11.588	SP1763	3.900	SP2027	2.317
E765DW	15.100	M37448BLK	9.614	SP1352	3.410	SP1766	0.839	SP2027	15.290
E765DX	15.100	M37448BLU	9.614	SP1387	5.382	SP1768	2.822	SP2028	1.652
E765EC	15.100	M37448GRN	9.614	SP1438	9.779	SP1768	2.895	SP2029	4.003 A
E955	12.803	M37448MAN	9.614	SP1445	4.040 U	SP1778	2.342	SP2029	4.003 F
E986	12.803	M37448MRN	9.614	SP1450	0.787	SP1779	2.342	SP2030	1.153
E987	12.803	M37448RED	9.614	SP1467	2.700	SP1807	4.035 F	SP2040	1.069
F250	15.291	M37448RYL	9.614	SP1467	10.270	SP1812	0.033	SP2040	8.143
G051DT	15.310	M37448TAN	9.614	SP1486	4.045 F	SP1816	6.020	SP2047	3.417
G051DV	15.310	M37458	8.823	SP1486	4.046 A	SP1825	0.921	SP2047	4.337 B
G051DX	15.310	M37464	3.705	SP1486	4.050 A	SP1828	12.804	SP2047	4.342 A
G051EC	15.310	M37465	3.705	SP1528	0.787	SP1828	12.948	SP2047	4.342 F
G052DT	15.310	M37500	9.662	SP1534	4.015 F	SP1838BA	14.630	SP2047	4.342 U
G052DV	15.310	M37532	8.823	SP1534	4.015 H	SP1838BA	14.800	SP2047	10.701
G052DX	15.310	M37535	8.800	SP1534	15.292	SP1838BA	15.024	SP2047	12.243
G052EC	15.310	M37557	4.003 F	SP1540	12.804	SP1838BA	15.290	SP2050	1.266
G094DT	15.100	M37569	4.005 H	SP1543	1.166	SP1838DV	14.630	SP2052	3.202
G094DV	15.100	M37570	9.169	SP1548	1.266	SP1838DV	14.800	SP2055	1.266
G094DX	15.100	M37571	9.169	SP1548	8.079	SP1838DX	14.630	SP2055	2.342
G094EC	15.100	M37588BLK	9.610	SP1548	8.112	SP1838DX	14.800	SP2055	8.079
G095DT	15.100	M37588RED	9.610	SP1548	8.143	SP1838DX	15.024	SP2055	8.085
G095DV	15.100	M37588TAN	9.610	SP1557	1.166	SP1838DY	15.024	SP2055	8.143
G095DX	15.100	M37601	8.823	SP1566	1.723	SP1838EC	14.630	SP2056	12.581
G095EC	15.100	M37606CLR	9.684	SP1572	1.166	SP1838EC	14.800	SP2058	2.459
M31722	9.648	M37606TNT	9.684	SP1579	2.342	SP1838EK	15.024	SP2058	2.515
M35270	9.662	M37607CLR	9.684	SP1606	8.132	SP1855	10.307	SP2059	2.700
M35821	0.449	M37607TNT	9.684	SP1606	12.112	SP1855	11.925	SP2064	12.242
M36770	15.492	M37615	9.662	SP1606	12.114	SP1855	15.100	SP2064	12.967
M36815	4.177 U	M37617	9.600	SP1606	12.116	SP1867	2.731	SP2065	1.656
M36827	14.694	M37618	9.600	SP1606	12.182	SP1868	1.762	SP2068	1.251
M36827	14.768	M37619	9.600	SP1610	3.260	SP1870	15.292	SP2068	9.171
M37042	8.800	M37620	9.600	SP1610	9.220	SP1884	9.778	SP2069	1.251
M37043	8.800	M37621	9.600	SP1610	9.779	SP1885	2.341	SP2070	1.153
M37068	8.800	M37622	9.600	SP1612	3.616	SP1885	2.342	SP2071	1.153
M37085	9.662	M37623	9.600	SP1612	6.760	SP1885	4.342 A	SP2071	2.277
M37115	9.662	M37645	1.071	SP1612	9.171	SP1885	4.342 F	SP2073	3.430

TORANA "LX" PARTS CATALOGUE

PART No.	GROUP	PART No.	GROUP	PART No.	GROUP	PART No.	GROUP	PART No.	GROUP
SP2073	3.459	SP2209	10.187	SP2427	4.038 U	SP2512	2.342	VS10392	5.510
SP2076	7.836	SP2211	4.015 F	SP2427	10.701	SP2512	2.555	VS10393	5.527
SP2077	2.277	SP2215	2.728	SP2427	10.829	SP2516	6.008	VS10432	3.755
SP2078	2.041	SP2216	4.015 F	SP2430	10.268	SP2518	2.810	VS10433	3.749
SP2079	2.041	SP2219	10.500	SP2430	15.288	SP2521	10.270	VS10437	3.729
SP2079	9.171	SP2219	10.701	SP2432	15.100	SP2525	8.075	VS10439	3.797
SP2083	9.171	SP2219	10.783	SP2434	0.277	SP2530	7.632	VS10440	3.797
SP2089	3.704	SP2219	10.791	SP2435	2.589	SP2537	4.592	VS10442	3.796
SP2089	11.561	SP2220	3.001	SP2435	12.942	SP2540	9.600	VS10443	3.771
SP2090	4.105 A	SP2225	2.555	SP2436	2.586	SP2553	10.268	VS10444	3.798
SP2090	4.105 F	SP2227	5.415	SP2438	12.116	SP2555	2.555	VS10445	3.773
SP2090	5.395	SP2238	0.852	SP2440	1.266	SP2561	0.837	VS10446	3.776
SP2093	11.561	SP2239	0.852	SP2440	9.779	SP2561	4.636	VS10447	3.779
SP2094	4.311 A	SP2240	4.681	SP2442	3.001	SP2561	6.008	VS10448	3.779
SP2094	4.311 F	SP2241	3.710	SP2442	4.016 U	SP2561	6.508	VS10456	3.799
SP2097	9.171	SP2249	2.820	SP2442	7.796	SP2563	4.156 U	VS10457	3.799
SP2103	4.038 U	SP2250	12.803	SP2442	9.275	SP2566	9.280	VS10458	3.799
SP2111	2.515	SP2267	9.779	SP2442	9.672	SP2581	9.743	VS10460	3.789
SP2111	9.743	SP2274	3.710	SP2442	10.154	SP2583	3.430	VS10461	3.763
SP2111	10.260	SP2284	10.187	SP2442	10.701	SP2588	11.630	VS10463	3.792
SP2111	12.010	SP2291	7.632	SP2443	8.132	SP2589	6.008	VS10464	3.780
SP2111	12.803	SP2296	11.630	SP2443	12.114	SP2590	12.941	VS10467	3.758
SP2113	6.521	SP2297	4.636	SP2443	12.116	SP2591	12.112	VS10468	3.758
SP2115	10.450	SP2299	4.685	SP2448	12.112	SP2591	12.114	VS10472	3.793
SP2115	10.454	SP2316	11.960	SP2449	7.632	SP2597	9.171	VS10517	3.781
SP2115	10.456	SP2319	2.188	SP2450	2.515	SP2599	4.317 A	VS10518	3.759
SP2115	10.460	SP2323	6.518	SP2452	5.382	SP2599	4.317 F	VS10519	3.760
SP2122	3.001	SP2334	14.803	SP2452	6.008	SP2605	11.388	VS10520	3.734
SP2122	10.701	SP2341	2.895	SP2459	4.019 A	SP2612	10.185	VS10522	3.729
SP2139	0.683	SP2343	3.710	SP2459	4.019 B	SP2614	12.184	VS10523	3.748
SP2139	4.003 U	SP2350	10.470	SP2459	4.020 A	SP2614	12.237	VS10526	3.767
SP2141	4.105 A	SP2350	10.473	SP2459	4.020 B	SP2615	11.634	VS10527	3.760
SP2141	4.105 F	SP2357	2.342	SP2459	4.040 U	SP2625	7.852	VS10528	3.779
SP2144	2.815	SP2357	3.202	SP2462	9.779	SP2628	6.508	VS10529	3.779
SP2144	2.895	SP2359	2.342	SP2465	9.198	SP2632	4.265 U	VS10530	3.764
SP2144	9.648	SP2359	4.685	SP2466	9.779	SP2635	1.050	VS10560	10.150
SP2149	0.839	SP2359	9.276	SP2471	11.175	SP2643	2.515	VS10562	10.150
SP2154	2.170	SP2360	7.836	SP2471	11.179	SP2648	2.555	VS10574	4.907
SP2154	8.015	SP2365	7.852	SP2471	14.803	SP2660	10.512	VS10575	4.907
SP2154	8.112	SP2367	2.342	SP2478	9.278	SP2660	10.701	VS10576	4.907
SP2154	12.982	SP2367	3.120	SP2483	3.120	VS10202	2.372	VS10577	4.903
SP2165	9.779	SP2367	3.158	SP2485	10.187	VS10204	2.381	VS10578	4.907
SP2165	10.203	SP2367	9.276	SP2495	8.132	VS10205	2.388	VS10579	4.908
SP2175	9.169	SP2369	11.925	SP2495	12.112	VS10206	2.388	VS10604	5.548
SP2175	15.100	SP2369	11.960	SP2495	12.114	VS10210	2.364	VS10606	5.548
SP2178	4.030 F	SP2370	2.728	SP2495	12.116	VS10211	2.381	VS10608	5.555
SP2178	4.681	SP2372	9.280	SP2496	0.027	VS10215	2.100	VS10657	10.150
SP2178	12.942	SP2376	6.509	SP2499	7.836	VS10280	2.049	VS10664	4.908
SP2183	15.290	SP2383	10.160	SP2500	3.521	VS10280	10.150	VS10806	3.913
SP2186	3.001	SP2388	4.233 U	SP2501	15.286	VS10285	10.150	VS10812	2.052
SP2192	12.116	SP2392	2.682	SP2501	15.306	VS10286	10.150	VS10813	2.108
SP2192	12.811	SP2394	2.682	SP2502	15.292	VS10305	2.400	VS10814	2.108
SP2192	14.691	SP2416	9.280	SP2503	3.202	VS10306	2.381	VS10815	2.086
SP2192	14.764	SP2418	2.555	SP2504	4.035 F	VS10369	5.517	VS10816	2.087
SP2192	15.306	SP2419	1.265	SP2505	7.836	VS10370	5.542	VS10817	2.087
SP2203	0.787	SP2419	12.182	SP2507	5.871	VS10371	5.511	VS10818	2.087
SP2203	4.019 U	SP2422	2.555	SP2511	1.266	VS10372	5.518	VS10819	2.087
SP2204	15.040	SP2423	2.555	SP2511	8.079	VS10373	5.511	VS10820	2.087
SP2207	9.280	SP2424	2.555	SP2511	8.112	VS10374	5.543	VS10821	2.087
SP2207	9.779	SP2426	8.153	SP2511	12.184	VS10375	5.543	VS10822	2.100

TORANA "LX" PARTS CATALOGUE

PART No.	GROUP	PART No.	GROUP	PART No.	GROUP	PART No.	GROUP	PART No.	GROUP
VS10823	2.100	VS11087	2.102	VS11877	2.053	VS12348	2.362	VS12468	3.724
VS10823	2.102	VS11089	2.080	VS11878	2.052	VS12351	2.389	VS12470	3.765
VS10824	2.100	VS11090	2.102	VS11881	2.087	VS12352	2.385	VS12472	3.754
VS10824	2.102	VS11091	2.077	VS11882	2.087	VS12365	10.150	VS12473	3.754
VS10826	2.096	VS11092	2.077	VS11883	2.085	VS12366	10.150	VS12475	3.749
VS10828	2.083	VS11094	2.279	VS11885	2.101	VS12367	10.150	VS12476	3.749
VS10832	2.077	VS11146	2.085	VS11887	2.041	VS12368	10.150	VS12477	3.748
VS10841	2.362	VS11151	3.778	VS11888	2.041	VS12372	10.150	VS12487	3.727
VS10842	2.362	VS11170	4.908	VS11911	3.758	VS12373	10.150	VS12488	3.731
VS10843	2.362	VS11171	4.908	VS11926	4.666	VS12374	2.310	VS12489	3.741
VS10844	2.362	VS11172	4.906	VS11950	10.150	VS12376	2.279	VS12490	3.729
VS10845	2.393	VS11176	4.907	VS11951	10.150	VS12377	2.500	VS12491	3.734
VS10846	2.393	VS11177	4.907	VS11955	10.150	VS12378	2.297	VS12494	4.902
VS10849	2.372	VS11178	4.907	VS11964	2.043	VS12380	2.289	VS12499	2.085
VS10851	2.389	VS11205	6.255	VS11969	2.108	VS12381	2.500	VS12500	2.102
VS10852	2.389	VS11210	6.809	VS11970	2.052	VS12382	10.150	VS12501	6.524
VS10853	2.389	VS11211	6.809	VS11971	2.063	VS12383	10.150	VS12502	6.524
VS10854	2.381	VS11212	6.809	VS11973	2.102	VS12384	10.150	VS12503	6.525
VS10856	2.385	VS11214	6.524	VS12012	2.381	VS12385	10.150	VS12504	6.807
VS10857	2.385	VS11218	6.234	VS12019	2.289	VS12386	10.150	VS12505	3.767
VS10858	2.384	VS11305	10.150	VS12020	2.289	VS12388	10.150	VS12506	3.767
VS10861	2.385	VS11321	3.748	VS12023	2.285	VS12389	10.150	VS12508	6.230
VS10863	2.385	VS11322	3.748	VS12024	2.286	VS12390	10.150	VS12509	6.235
VS10865	2.382	VS11434	2.410	VS12026	2.316	VS12392	10.150	VS12510	6.235
VS10866	2.367	VS11435	2.381	VS12027	2.307	VS12393	3.757	VS12511	6.235
VS10867	2.367	VS11737	2.389	VS12028	2.315	VS12394	3.754	VS12527	6.807
VS10868	2.368	VS11738	2.389	VS12038	2.291	VS12395	3.754	VS12529	2.305
VS10869	2.410	VS11763	2.316	VS12040	2.291	VS12396	3.765	VS12530	2.307
VS10870	2.410	VS11765	2.280	VS12061	3.791	VS12399	2.515	VS12531	2.279
VS10883	3.757	VS11767	2.306	VS12081	2.077	VS12408	2.515	VS12532	2.297
VS10886	5.510	VS11771	2.307	VS12083	2.316	VS12415	4.342A	VS12533	2.289
VS10893	3.799	VS11773	2.298	VS12084	2.307	VS12415	4.342F	VS12535	2.291
VS10894	3.791	VS11776	2.297	VS12085	2.307	VS12415	4.342U	VS12536	2.500
VS10895	3.792	VS11789	4.686	VS12088	2.289	VS12418	4.342U	VS12537	3.748
VS10897	3.788	VS11795	3.793	VS12089	2.289	VS12419	4.342F	VS12539	3.731
VS10899	3.793	VS11797	3.795	VS12090	2.310	VS12419	4.342U	VS12540	3.753
VS10906	3.737	VS11799	3.789	VS12091	2.289	VS12421	4.342B	VS12541	3.731
VS10907	3.737	VS11800	3.792	VS12092	2.307	VS12423	4.902	VS12542	3.731
VS10910	3.731	VS11801	3.764	VS12096	4.265U	VS12424	4.902	VS12544	3.725
VS10911	3.731	VS11802	3.764	VS12121	3.795	VS12425	6.803	VS12545	3.725
VS10912	3.797	VS11803	3.763	VS12193	2.381	VS12426	6.525	VS12546	3.724
VS10914	3.796	VS11812	3.736	VS12251	10.150	VS12427	6.235	VS12547	3.725
VS10915	3.798	VS11813	3.735	VS12320	2.307	VS12429	6.524	VS12548	3.725
VS10916	3.778	VS11814	3.735	VS12321	2.279	VS12432	6.809	VS12549	3.783
VS10917	3.799	VS11815	3.734	VS12322	2.297	VS12433	6.809	VS12550	3.752
VS10922	3.748	VS11818	3.788	VS12323	2.289	VS12434	6.809	VS12551	3.727
VS10971	2.049	VS11843	10.150	VS12324	2.289	VS12435	6.809	VS12552	3.727
VS10972	2.085	VS11844	10.150	VS12325	2.289	VS12436	6.255	VS12553	3.734
VS10973	2.085	VS11845	10.150	VS12326	2.291	VS12438	6.235	VS12554	3.731
VS10974	3.779	VS11848	10.150	VS12327	2.285	VS12439	6.807	VS12555	3.731
VS10975	4.908	VS11849	10.150	VS12328	2.310	VS12440	6.803	VS12556	3.741
VS10976	2.374	VS11852	10.150	VS12330	2.279	VS12441	6.525	VS12557	3.731
VS10982	2.393	VS11858	10.150	VS12338	2.305	VS12446	4.665	VS12558	2.279
VS10982	2.410	VS11859	10.150	VS12340	2.410	VS12447	4.665	VS12559	2.310
VS10986	2.389	VS11871	2.067	VS12342	2.381	VS12448	4.665	VS12560	2.279
VS10988	2.381	VS11872	2.087	VS12343	2.381	VS12449	4.668	VS12561	2.289
VS10992	2.385	VS11873	2.087	VS12344	2.389	VS12450	5.018	VS12562	2.316
VS11002	2.410	VS11874	2.083	VS12345	2.372	VS12451	4.667	VS12568	2.108
VS11038	3.748	VS11875	2.051	VS12346	2.400	VS12466	3.725	VS12569	2.043
VS11086	2.102	VS11876	2.052	VS12347	2.362	VS12467	3.725	VS12570	2.049

TORANA "LX" PARTS CATALOGUE

PART No.	GROUP	PART No.	GROUP	PART No.	GROUP	PART No.	GROUP	PART No.	GROUP
VS12571	2.108	VS12733	3.796	VS12985	3.778	VS13502	2.515	120214	0.830
VS12571	3.788	VS12734	3.796	VS12986	3.725	VS13503	2.515	120214	0.852
VS12572	2.087	VS12735	3.796	VS12987	3.725	VS13504	2.515	120214	0.934
VS12573	2.108	VS12736	3.796	VS12988	3.724	VS13505	2.515	120214	1.050
VS12574	2.086	VS12737	3.737	VS12989	3.763	VS13506	2.515	120214	1.064
VS12576	2.087	VS12738	3.791	VS12990	3.765	VS13507	2.515	120214	1.221
VS12578	2.087	VS12739	3.775	VS12991	3.780	VS13508	2.515	120214	3.710
VS12579	2.080	VS12744	2.515	VS12994	3.727	VS13509	2.515	120214	4.591
VS12580	2.100	VS12745	2.515	VS12995	3.727	VS13510	2.515	120214	4.686
VS12598	5.527	VS12746	2.515	VS12996	3.727	VS13511	2.515	120214	4.901
VS12604	5.510	VS12747	2.515	VS12997	3.764	VS13512	2.515	120214	9.171
VS12606	4.668	VS12748	2.515	VS12998	3.776	42FS	2.270	120214	9.190
VS12607	4.665	VS12749	2.515	VS12999	3.778	43T	2.270	120214	9.195
VS12641	3.757	VS12750	2.515	VS13001	3.764	44T	2.270	120214	9.600
VS12642	3.752	VS12752	3.796	VS13002	3.778	44TS	2.270	120217	10.230
VS12656	3.763	VS12753	3.729	VS13003	3.727	45T	2.270	120217	10.512
VS12657	3.763	VS12754	3.767	VS13022	4.907	45TS	2.270	120228	4.591
VS12658	3.797	VS12755	3.767	VS13062	2.515	432F	2.332	120228	9.195
VS12659	3.791	VS12756	3.767	VS13092	3.725	456H	2.332	120233	4.081U
VS12659	3.797	VS12757	3.748	VS13132	2.515	43207	4.408B	120233	9.171
VS12660	3.796	VS12758	3.748	VS13133	2.515	43468	7.243	120238	4.826
VS12661	3.796	VS12760	3.727	VS13142	3.780	100136	4.317U	120361	3.001
VS12662	3.793	VS12762	3.724	VS13144	3.778	100161	4.003B	120361	9.275
VS12663	3.796	VS12764	1.219	VS13145	3.754	102635	3.275	120361	9.672
VS12667	3.786	VS12765	1.219	VS13146	3.752	102647	6.020	120361	10.230
VS12670	3.789	VS12780	9.779	VS13147	3.737	102648	6.020	120361	10.262
VS12671	3.789	VS12781	9.779	VS13148	3.763	103026	3.275	120368	1.050
VS12672	3.763	VS12782	9.779	VS13149	3.779	103026	5.387	120368	1.064
VS12673	3.765	VS12783	9.779	VS13150	3.727	103320	5.510	120368	3.288
VS12674	3.781	VS12784	9.280	VS13151	3.727	103320	7.370	120368	3.900
VS12675	3.788	VS12785	9.779	VS13152	3.748	103321	0.870	120369	0.027
VS12676	3.788	VS12786	9.779	VS13155	3.783	103321	5.387	120369	2.277
VS12678	3.788	VS12787	9.779	VS13156	3.764	103321	9.170	120369	3.288
VS12679	3.788	VS12788	9.779	VS13157	3.783	103322	4.665	120369	3.616
VS12680	3.776	VS12789	9.280	VS13158	3.764	103329	4.003B	120369	3.706
VS12681	3.735	VS12789	9.779	VS13158	3.778	103868	4.103H	120369	4.035F
VS12682	3.735	VS12790	9.779	VS13159	3.764	103880	4.103B	120369	4.046B
VS12683	3.793	VS12791	9.779	VS13160	3.764	104251	6.168	120369	4.050B
VS12684	3.734	VS12792	9.779	VS13161	3.764	106285	5.400	120369	4.156U
VS12686	3.748	VS12793	9.779	VS13162	3.764	106331	2.414	120369	7.370
VS12687	3.741	VS12794	9.779	VS13163	3.764	106331	3.275	120375	3.430
VS12688	3.741	VS12795	9.779	VS13164	9.662	106751	0.659	120375	3.710
VS12689	3.742	VS12796	9.779	VS13170	4.038U	106751	0.728	120375	4.342U
VS12692	3.749	VS12797	9.779	VS13171	4.038U	106751	0.736	120375	7.828
VS12693	3.771	VS12798	9.779	VS13224	5.018	106973	5.539	120375	8.077
VS12694	3.760	VS12799	9.779	VS13315	4.907	108580	3.275	120375	9.169
VS12695	3.760	VS12800	9.779	VS13316	4.908	111285	8.079	120375	9.220
VS12696	4.665	VS12801	9.779	VS13320	4.908	113897	4.103A	120375	9.280
VS12697	4.665	VS12802	9.779	VS13321	4.906	113897	4.103F	120375	9.779
VS12699	3.798	VS12803	9.779	VS13322	4.907	113897	5.400	120375	10.527
VS12700	2.305	VS12804	9.779	VS13323	4.902	114468	4.226U	120375	10.556
VS12718	3.752	VS12805	9.779	VS13357	4.665	114494	4.233U	120375	11.630
VS12725	3.798	VS12806	9.779	VS13450	4.902	114494	8.075	120375	11.634
VS12726	3.775	VS12807	9.779	VS13482	2.515	114497	6.513	120375	12.803
VS12727	3.773	VS12808	3.725	VS13495	2.515	114605	5.539	120375	12.966
VS12728	3.786	VS12823	1.219	VS13496	2.515	115707	11.634	120375	12.967
VS12729	3.786	VS12980	9.779	VS13497	2.515	116341	3.202	120376	0.027
VS12730	3.786	VS12982	3.725	VS13499	2.515	120214	0.027	120376	0.787
VS12731	3.786	VS12983	3.725	VS13500	2.515	120214	0.659	120376	0.830
VS12732	3.796	VS12984	3.763	VS13501	2.515	120214	0.787	120376	0.852

TORANA "LX" PARTS CATALOGUE

PART No.	GROUP	PART No.	GROUP	PART No.	GROUP	PART No.	GROUP	PART No.	GROUP
120376	3.710	120391	4.054 U	122119	4.006 F	141216	0.206	179843	3.275
120376	4.591	120391	7.796	122126	0.934	142953	1.609	179866	0.683
120376	4.686	120391	9.275	122138	6.760	143343	3.202	179866	4.003 U
120376	9.171	120391	10.262	122145	4.317 B	144542	0.728	180015	4.665
120376	9.190	120392	2.170	122145	4.650	145027	4.041 U	180079	0.934
120376	9.195	120392	3.430	122145	9.171	145027	4.279 U	180081	0.027
120376	9.275	120392	8.112	122150	9.171	145411	4.826	180119	0.027
120376	9.600	120392	9.169	122181	9.171	145475	4.128 U	180121	0.027
120376	12.803	120392	9.215	122246	4.081 A	145496	6.513	180121	4.901
120377	0.902	120392	10.701	122246	4.081 B	147481	4.265 U	180123	9.171
120377	4.650	120392	12.966	122246	4.081 F	147487	4.311 H	180123	12.982
120377	4.901	120393	1.064	122246	4.081 U	147489	4.311 F	180124	4.317 A
120377	7.836	120393	1.270	122279	4.081 A	154005	3.796	180124	4.317 F
120377	9.171	120393	3.710	122279	4.081 B	154061	2.341	180126	2.277
120377	9.600	120393	3.900	122279	4.081 F	156966	11.010	180126	9.171
120377	12.803	120393	9.170	122279	4.081 U	159240	12.112	180137	1.251
120380	3.260	120393	9.190	122340	0.027	159577	15.292	180137	2.317
120380	3.430	120393	12.803	123437	4.901	159616	2.700	180138	9.171
120380	3.710	120394	2.170	123540	4.311 F	159616	9.779	180138	9.600
120380	7.828	120394	2.277	124824	2.342	159675	9.280	180144	0.027
120380	8.077	120394	3.001	124824	8.024	159858	11.010	180146	4.081 U
120380	9.280	120394	4.035 F	124829	3.001	159920	2.586	180147	6.103
120380	9.779	120394	9.169	124920	0.839	159920	3.001	180151	4.081 U
120380	10.159	120394	9.171	124925	0.839	159920	9.275	180171	0.837
120380	10.527	120395	4.081 F	124925	0.918	159920	9.672	181385	5.387
120380	10.556	120395	4.081 U	125926	2.277	159920	10.230	181385	5.400
120380	11.630	120527	4.681	127968	2.277	159920	10.262	181407	6.103
120380	11.634	120530	9.220	131015	8.055	160515	4.342 H	181608	9.171
120380	12.803	120614	7.796	131015	9.169	160515	9.220	181669	4.665
120380	12.966	120622	2.700	131099	0.659	160515	9.779	186493	1.723
120380	12.967	120622	2.819	131954	8.077	160515	12.803	186509	10.156
120382	0.027	120622	9.275	132908	7.796	160536	8.077	188154	1.069
120382	2.170	120622	9.280	134530	8.055	160536	10.159	188154	3.288
120382	2.277	120647	9.171	134530	9.280	160539	11.630	189305	9.171
120382	2.317	120677	9.170	134551	9.199	160539	11.634	189995	4.009 U
120382	3.616	120854	3.430	134794	9.278	160539	15.288	190075	12.114
120382	3.706	121637	3.430	134794	9.779	160541	9.215	190863	3.603
120382	4.006 F	121637	8.112	135629	4.826	160556	9.215	191163	2.277
120382	4.046 B	121743	2.313	135629	10.163	160556	10.150	215723	0.837
120382	4.050 B	121744	2.313	137396	4.685	162113	14.686	215723	4.636
120382	4.081 U	121752	2.555	137397	0.929	162113	14.762	224255	0.659
120382	4.650	121752	2.700	137398	3.202	162703	12.580	271501	0.027
120382	4.901	121752	9.215	137398	4.128 U	163098	15.100	271501	0.837
120382	7.836	121752	9.778	137508	5.586	163158	4.016 U	271501	5.415
120382	9.171	121753	2.815	137508	12.580	163158	6.518	272312	6.233
120382	9.600	121753	4.055 U	138479	9.648	163158	9.743	272846	4.931
120383	0.027	121753	9.215	138479	11.010	163158	11.925	272848	1.762
120383	0.683	121852	12.803	138485	2.810	163210	12.944	273466	9.280
120383	4.003 U	121887	12.966	138485	4.686	163210	12.972	273708	2.515
120383	4.081 A	121926	3.260	138485	7.836	163210	12.981	273708	9.169
120383	4.081 F	122007	0.852	138485	9.170	177730	12.182	273708	9.215
120383	4.081 U	122007	7.370	138485	9.275	179377	10.230	274244	1.516
120383	5.415	122017	1.270	138489	2.341	179816	4.105 B	274517	4.650
120383	6.103	122017	9.190	138489	7.836	179816	4.356 A	274517	4.902
120384	4.826	122040	0.852	138538	7.347	179816	4.356 B	274672	1.270
120386	11.634	122040	4.686	138542	0.934	179816	4.356 F	274672	9.220
120386	12.967	122065	4.686	138542	8.075	179817	4.212 U	274762	4.038 U
120388	7.836	122083	0.206	141192	0.206	179817	4.265 U	274762	6.518
120389	6.008	122104	2.170	141202	0.736	179819	4.265 U	344856	2.515
120391	2.697	122104	2.341	141216	0.033	179826	4.265 U	348402	5.387

TORANA "LX" PARTS CATALOGUE

PART No.	GROUP	PART No.	GROUP	PART No.	GROUP	PART No.	GROUP	PART No.	GROUP
3819096.168	5910224.358 F	6235370.629	6468591.610	8269633.731
3842206.176	5910224.358 H	6235380.629	6468611.610	8269643.731
4024106.176	5991192.424	6235390.629	6469081.724	8269863.748
4104313.028	5991192.555	6235400.629	6477761.609	8271653.741
4125620.649	5991194.685	6235420.629	6483371.656	8281163.748
4233351.426	6041330.033	6235840.629	6484011.656	8281173.748
4233351.656	6041340.033	6241580.629	6486241.656	8284413.749
4252241.656	6061250.033	6361510.519	6504261.835	8284453.726
4253484.317 B	6065641.928	6363530.724	6520521.426	8284873.754
43153410.556	6065650.209	6363770.726	6524911.453	8285043.754
4331159.171	6065760.033	6364360.539	6544561.758	8285403.757
4365674.030 F	6065770.033	6364370.539	6580601.516	8285563.757
4437704.103 F	6066810.033	6364380.539	6581511.516	8285753.752
4446134.103 U	6067021.928	6364620.539	6583101.516	8285763.752
4447821.928	6067101.928	6366550.736	6625000.683	8286273.752
4447874.103 B	6067111.928	6367000.726	6625010.683	8286283.752
4448190.033	6070330.269	6367750.726	6660340.861	8286293.752
4448193.265	6074550.289	6368010.726	6681700.795	8286373.752
44612112.112	6074800.269	6368100.724	6682570.797	8286883.741
4461528.036	6075000.269	6368350.726	6682770.796	8287583.757
4461529.275	6075830.386	6368500.732	6686350.799	8287593.757
44615210.154	6076640.423	6380910.206	6694040.787	8287743.741
4461884.342 H	6079280.413	6381820.209	6701770.679	8287953.757
44618810.150	6104790.056	6381850.209	6748800.844	8287973.741
4463630.852	6140300.646	6382310.207	6841120.027	8296133.763
4515809.275	6144750.728	6382320.207	6841130.027	8301363.767
4535704.103 U	6146530.659	6384040.206	6842320.027	8301813.764
4535704.153 U	6146630.659	6385201.837	6842870.027	8302583.767
4535704.226 U	6147000.649	6385401.837	6846290.027	8302843.782
4535704.265 U	6147310.649	6386010.386	7050370.683	8303623.776
4535714.265 U	6148090.137	6386020.386	7057500.683	8304103.779
4536705.518	6148410.659	6386410.386	7318314.205 U	8304343.779
4542930.659	6160420.666	6400460.459	7490054.133 U	8304413.766
4545121.643	6160480.666	6403550.429	7492064.133 U	8304883.782
4545122.379	6161830.673	6403800.429	7662753.275	8306403.757
4546499.278	6162390.669	6405940.333	8160313.900	8306713.767
4546499.779	6162400.669	6407630.429	8182533.929	8306923.757
4548645.510	6165220.669	6422580.303	8186133.932	8307323.773
4548690.659	6168000.666	6422690.303	8186183.932	8307773.775
4549430.027	6180360.096	6422840.309	8187253.910	8308103.771
4550175.002	6180360.099	6423590.310	8187263.910	8308253.772
45513611.925	6180360.101	6424520.308	8204103.201	8308313.765
4554042.697	6180360.103	6424780.308	8252493.727	8308363.765
4554044.054 U	6181610.096	6426000.309	8260463.725	8308503.775
4554814.016 U	6181610.099	6427180.296	8260473.725	8308523.764
4554814.019 U	6181610.101	6427190.296	8264803.766	8308533.764
4554814.309 F	6181610.103	6427200.296	8266243.731	8309513.767
45549011.960	6183100.096	6427210.296	8267253.731	8309583.763
4559807.852	6183100.099	6428450.297	8267413.734	8309593.763
4566323.260	6183100.101	6428460.297	8267683.741	8309713.764
4566323.710	6183100.103	6428470.297	8267773.734	8309753.764
4767374.681	6187100.106	6428480.297	8268323.731	8311413.731
4767374.826	6187350.106	6463381.659	8268353.766	8313663.796
4813759.275	6187600.106	6463391.659	8268393.731	8314003.796
5139751.453	6221230.603	6465601.659	8268413.731	8315503.796
5139754.195 U	6224150.623	6465611.659	8268433.731	8315563.766
5908494.376 B	6227110.616	6465871.723	8268453.731	8316823.731
5908494.376 H	6227790.616	6466751.723	8268453.798	8317163.766
5910224.358 A	6229410.616	6468001.611	8268523.766	8319503.798
5910224.358 B	6235360.629	6468051.611	8269613.731	8323423.798

TORANA "LX" PARTS CATALOGUE

PART No.	GROUP	PART No.	GROUP	PART No.	GROUP	PART No.	GROUP	PART No.	GROUP
832608	3.786	1212707	2.258	1612306	2.108	2048903	3.782	2765797	4.384 B
832800	3.786	1212727	2.371	1695626	11.925	2048925	3.766	2765798	4.403 B
832801	3.786	1212833	2.385	1695635	11.925	2056069	3.288	2805057	4.133 U
832852	3.786	1239230	0.277	1846722	2.895	2060275	1.928	2805059	4.133 U
838029	0.310	1239465	1.123	1964784	2.895	2060726	0.033	2805297	0.934
838538	0.033	1239469	1.123	1964785	2.895	2064155	1.064	2805347	1.153
838550	1.069	1252506	1.803	1967685	2.895	2064201	0.206	2805399	5.001
838550	1.251	1280484	2.555	1993404	4.054 U	2064229	4.081 H	2805400	5.001
844430	3.731	1288681	2.251	1997037	2.459	2064229	4.081 U	2805402	3.603
846721	3.731	1288682	2.251	2000103	3.430	2064230	2.341	2805461	3.603
850229	3.265	1288925	2.041	2000118	0.269	2064230	2.342	2805499	4.009 F
850236	3.265	1334035	1.069	2000118	0.386	2064231	2.317	2805510	6.164
850254	3.265	1334693	1.062	2000118	2.170	2064231	3.288	2805545	5.001
850317	3.601	1334734	1.079	2000126	1.064	2064340	0.027	2805546	5.001
850700	3.270	1336343	1.153	2000213	0.870	2064402	0.796	2805716	5.382
850866	3.601	1336560	1.154	2000215	3.609	2066102	2.041	2805728	6.164
850991	3.725	1338028	1.246	2000244	1.064	2066150	2.277	2805794	0.423
851804	3.265	1338115	1.251	2000245	2.277	2066205	0.027	2805795	0.443
854838	3.611	1338209	1.252	2000418	0.683	2074075	3.763	2806018	5.382
858388	2.447	1340071	1.064	2000418	4.003 U	2074125	0.206	2806019	5.382
858388	4.054 U	1340072	1.064	2000418	9.171	2074152	0.870	2806046	5.382
907791	4.408 H	1340671	1.066	2000498	0.683	2074152	2.341	2806047	5.382
907927	4.355 B	1340687	1.066	2000498	4.003 U	2074152	2.342	2806068	4.628
908058	4.355 H	1340850	1.064	2000498	9.171	2074152	3.288	2806368	0.096
993029 EC	15.289	1367656	4.019 A	2000508	3.275	2074152	4.081 H	2806368	0.099
994259	9.675	1367656	4.019 B	2000610	0.659	2074152	4.081 U	2806368	0.101
1018694	2.370	1367656	4.020 A	2002150	3.601	2074175	0.027	2806368	0.103
1131046	9.170	1367656	4.020 B	2002225	2.041	2074176	0.683	2806369	0.096
1131047	9.195	1367656	4.040 U	2008151	0.679	2074176	4.003 H	2806369	0.099
1138041	9.170	1373122	4.337 A	2008151	4.010 H	2074176	4.317 H	2806369	0.101
1194360	1.609	1373122	4.337 B	2008153	0.679	2076500	0.726	2806369	0.103
1194560	4.177 U	1373122	4.337 F	2008153	0.683	2076501	4.008 H	2806370	0.096
1199080	1.609	1373122	4.337 H	2008157	1.153	2076513	4.008 H	2806370	0.099
1202004	2.041	1373122	4.337 U	2008227	0.683	2080078	2.041	2806370	0.101
1202067	2.100	1409125	0.936	2008240	0.027	2080241	2.277	2806370	0.103
1202631	2.041	1485553	9.280	2010112	2.317	2080305	3.275	2806372	0.096
1203014	2.051	1521708	3.931	2010201	0.683	2080305	9.171	2806372	0.099
1203114	2.043	1521953	3.913	2014155	1.723	2080725	3.764	2806372	0.101
1203173	2.086	1521985	3.902	2016501	1.251	2080725	3.766	2806372	0.103
1203215	2.083	1522046	3.922	2018051	0.724	2082101	3.763	2806373	0.096
1203322	2.049	1522199	3.925	2018052	1.656	2082102	1.064	2806373	0.099
1203430	2.096	1523093	3.920	2018053	1.426	2082108	0.027	2806373	0.101
1203800	2.100	1523094	3.903	2018075	0.206	2082110	1.656	2806373	0.103
1203870	2.077	1523099	3.929	2018076	0.206	2084005	0.796	2806374	0.096
1204651	2.277	1533669	1.762	2018077	0.206	2086206	0.730	2806374	0.099
1204726	2.317	1606089	0.094	2018077	1.069	2086212	0.206	2806374	0.101
1204880	2.277	1606090	0.094	2018078	0.206	2086216	0.033	2806374	0.103
1204880	9.171	1606091	0.094	2018078	1.069	2086216	0.683	2806375	0.106
1204881	2.317	1606092	0.094	2018100	0.679	2086327	0.666	2806376	0.106
1204961	2.317	1606093	0.094	2018101	3.430	2088008	1.609	2806377	0.106
1205512	2.279	1606230	1.429	2018102	1.064	2088009	1.837	2806379	0.106
1211032	2.361	1606272	0.010	2018110	2.414	2091011	1.453	2806380	0.106
1211106	2.410	1606310	0.732	2018114	3.900	2091016	1.611	2806381	0.106
1212108	2.424	1606346	0.289	2024057	0.206	2091041	1.611	2806382	0.616
1212140	2.367	1608129	3.901	2046056	3.796	2091505	3.741	2806383	0.616
1212208	2.382	1608187	3.724	2046101	3.763	2092300	3.782	2806384	0.094
1212235	2.393	1608210	3.725	2048101	0.732	2092300	3.798	2806385	0.094
1212378	2.414	1608238	3.724	2048276	0.293	2665962	10.569	2806386	0.094
1212501	2.424	1608249	3.725	2048277	0.293	2765728	4.383 B	2806388	0.094
1212654	2.362	1612229	2.384	2048903	3.766	2765729	4.384 B	2806389	0.094

TORANA "LX" PARTS CATALOGUE

PART No.	GROUP	PART No.	GROUP	PART No.	GROUP	PART No.	GROUP	PART No.	GROUP
2806390	0.094	2809100	3.410	2811344	4.015 F	2812256	4.016 U	2813559BA	4.009 B
2806399	0.616	2809115	6.233	2811360	11.589	2812270	1.159	2813559BA	4.009 U
2806400	0.616	2809189	7.545	2811366	11.589	2812347	0.629	2813559DX	4.009 A
2806521	4.035 F	2809219	6.164	2811401	10.506	2812348	0.629	2813559DX	4.009 B
2806603	10.529	2809284	1.426	2811401	10.507	2812400	9.171	2813559DX	4.009 U
2806691	0.413	2809290	4.309 F	2811401	10.556	2812459	1.062	2813559DY	4.009 A
2806758	3.202	2809294	1.656	2811401	10.563	2812461	0.673	2813559DY	4.009 B
2806776	8.800	2809297	1.516	2811402	0.629	2812735	11.611	2813559DY	4.009 U
2806877	9.190	2809447	10.587	2811403	0.629	2812735	11.634	2813814	5.803
2806911	10.529	2809447	12.212	2811404	0.629	2812760	0.289	2813815	5.803
2806912	10.529	2809457	4.412 F	2811405	0.629	2812811	2.188	2813866	11.960
2806962	11.925	2809543	11.573	2811531	0.643	2813022	10.475	2813961	4.019 B
2806963	11.928	2809600	4.316 F	2811532	0.643	2813023	10.475	2813961	4.020 B
2807028	8.076	2809727	4.304 F	2811533	0.643	2813028	10.475	2814030	4.019 A
2807045	12.269	2809789	1.426	2811534	0.643	2813029	10.475	2814030	4.019 B
2807098	5.382	2809791	1.656	2811536	0.643	2813033	3.603	2814030	4.020 A
2807098	6.170	2809917	3.793	2811537	0.643	2813324	9.779	2814030	4.020 B
2807154	5.804	2809918	3.796	2811601	10.466	2813325	9.779	2814030	4.040 U
2807236	2.361	2809920	3.797	2811603	8.036	2813372	0.616	2814031	4.019 A
2807323	4.610	2809921	3.796	2811604	8.036	2813373	0.616	2814031	4.019 B
2807323	10.270	2809922	3.796	2811625	3.603	2813378	0.616	2814031	4.020 A
2807323	11.950	2809937	3.796	2811626	3.603	2813379	0.616	2814031	4.020 B
2807323	11.960	2810081	2.361	2811627	3.603	2813385	2.447	2814031	4.040 U
2807324	4.610	2810247	4.338 B	2811648	4.650	2813401	0.629	2814033	4.019 A
2807324	10.270	2810250	2.361	2811649	4.650	2813402	0.629	2814033	4.019 B
2807324	11.950	2810251	2.481	2811650	4.651	2813403	0.629	2814033	4.020 A
2807324	11.960	2810326	12.242	2811651	4.651	2813404	0.629	2814033	4.020 B
2807325	4.610	2810367	2.041	2811667	8.013	2813405	0.629	2814033	4.040 U
2807325	10.270	2810483	12.237	2811680	1.659	2813406	0.629	2814047	3.451
2807325	11.950	2810499	4.226 U	2811710	12.966	2813407	0.629	2814128	2.317
2807325	11.960	2810537	4.265 U	2811711	12.966	2813463	12.955	2814288	4.265 U
2807707	4.019 B	2810538	4.265 U	2811713	12.966	2813473	1.219	2814293	4.265 U
2807752	2.424	2810692	0.289	2811742	6.758	2813475	1.219	2814294	4.265 U
2807897	4.017 A	2810715	5.504	2811792	0.095	2813478	1.219	2814295	4.265 U
2807897	4.017 B	2810716	5.504	2811792	0.098	2813489	4.418 F	2814312	4.265 U
2807914	3.726	2810771	7.240	2811792	0.100	2813490	4.395 F	2814462	10.219
2808035	3.417	2810820	10.187	2811792	0.102	2813491	4.415 F	2814463	10.219
2808124	5.510	2810821	10.187	2811857	8.036	2813492	4.415 F	2814480	4.431 A
2808133	3.710	2810932	4.003 A	2811858	3.616	2813493	4.403 F	2814481	4.433 A
2808133	3.796	2810975	5.871	2811858	3.706	2813496	4.421 F	2814620	10.527
2808136	3.603	2811014	4.265 U	2811859	3.616	2813497	4.421 F	2814702BA	2.897
2808164	3.261	2811024	4.035 F	2811859	3.706	2813500	4.418 F	2814702DX	2.897
2808182	3.925	2811032	4.045 F	2811918	8.015	2813501	4.311 F	2814702DY	2.897
2808183	3.901	2811054	1.071	2811919	8.015	2813504	4.317 F	2814737	4.626
2808189	1.062	2811056	0.289	2811924	2.188	2813506	4.303 F	2814738	0.683
2808258	9.640	2811057	0.289	2811931	0.333	2813507	4.318 F	2814739	9.171
2808570	4.337 B	2811059	1.429	2811932	0.426	2813511	4.311 F	2814753	0.206
2808656	5.813	2811061	0.536	2811933	0.429	2813513	4.317 F	2814771	0.027
2808757	4.681	2811165	10.571	2812045	3.796	2813514	4.309 F	2814798	3.900
2808856	6.008	2811196	4.005 U	2812046	3.796	2813515	4.380 F	2814806	4.030 F
2808874BA	15.520	2811197	4.127 U	2812082	4.035 F	2813517	4.419 F	2814815	9.275
2808874DV	15.520	2811198	11.581	2812095	6.163	2813519	4.432 F	2814838	9.171
2808874DX	15.520	2811212	10.466	2812096	6.163	2813520	4.309 F	2814839	9.171
2808874EC	15.520	2811214	0.861	2812097	6.163	2813521	4.311 F	2814840	2.317
2808877BA	15.520	2811253	11.589	2812102	5.816	2813522	4.419 F	2814841	9.171
2808877DV	15.520	2811255	11.589	2812103	5.822	2813525	4.418 F	2814844	9.171
2808877DX	15.520	2811258	11.588	2812104	5.816	2813527	4.311 F	2814845	1.066
2808877EC	15.520	2811327	4.030 F	2812173	0.269	2813531	0.659	2814877	4.212 U
2809014	5.504	2811328	4.030 F	2812174	0.269	2813550	2.195	2814887	4.030 F
2809015	5.504	2811329	4.030 F	2812209	1.159	2813559BA	4.009 A	2814892	9.278

TORANA "LX" PARTS CATALOGUE

PART No.	GROUP	PART No.	GROUP	PART No.	GROUP	PART No.	GROUP	PART No.	GROUP
2814892	9.779	2816797	11.925	2817594	0.099	2819098	0.643	2819859	9.600
2814897	9.779	2816798	10.563	2817594	0.101	2819099	0.643	2819861	9.600
2814941	4.010F	2816801	15.292	2817594	0.103	2819100	0.643	2819950	4.655
2815102	1.659	2816851	0.839	2817595	0.106	2819101	0.643	2820063	0.852
2815103	12.248	2816860	4.931	2817596	0.106	2819164	10.466	2820067	0.852
2815193	7.370	2816882	4.265U	2817597	0.106	2819165	10.466	2820067	4.658
2815207	3.260	2816892	2.824	2817599	0.106	2819239	14.860	2820102	1.219
2815222	4.054U	2816950	10.185	2817600	0.106	2819376	2.041	2820103	1.219
2815246	3.890	2816966	15.292	2817601	0.106	2819377	2.041	2820110	4.265U
2815269	1.429	2816967	4.015F	2817627	4.279U	2819454	0.269	2820111	2.361
2815271	2.697	2816984	10.556	2817632	4.265U	2819457	0.269	2820197	1.219
2815381	0.852	2816985	4.015U	2817633	4.265U	2819458	0.289	2820198	1.219
2815486	10.500	2816992	9.662	2817634	4.265U	2819462	0.095	2820213	4.005U
2815487	10.500	2816992	9.778	2817736	4.009F	2819462	0.098	2820214	4.005U
2815497	5.017	2817008	2.555	2817737	4.009F	2819462	0.100	2820229	4.256U
2815499	5.017	2817008	13.092	2817738	5.002	2819462	0.102	2820230	4.256U
2815522	3.163	2817021	0.852	2817773	4.003U	2819472	1.429	2820231	4.256U
2815541	12.581	2817028	4.006U	2817774	4.003U	2819473	1.159	2820232	4.256U
2815542	12.581	2817074	4.006U	2817775	4.003U	2819474	1.159	2820240	0.852
2815543	12.581	2817097	4.016U	2817776	4.003U	2819505	0.629	2820241	0.852
2815544	12.581	2817149	0.683	2817777	4.003U	2819506	0.629	2820272	9.658
2815551	12.112	2817162	4.006U	2817778	4.003U	2819507	0.629	2820277	9.658
2815551	12.114	2817163	4.010U	2817779	4.003U	2819508	0.629	2820284	4.038U
2815574	3.710	2817164	6.513	2817866	13.090	2819509	0.629	2820285	4.038U
2815587	0.659	2817224	4.265U	2817867	13.090	2819510	0.629	2820286	4.038U
2815681	10.516	2817225	4.265U	2817874	4.342A	2819511	0.629	2820398	12.050
2815700	4.103A	2817276	4.015F	2817874	4.342F	2819512	0.629	2820411	12.050
2815702	9.275	2817277	15.293	2817874	4.342U	2819513	0.629	2820439	0.787
2815712	9.275	2817345	6.509	2817884	2.361	2819514	0.629	2820471	3.260
2815872	2.041	2817426	4.686	2818020	10.187	2819515	0.629	2820472	3.260
2815873	2.041	2817459	11.950	2818021	10.187	2819516	0.629	2820473	3.260
2815887	1.652	2817464	11.925	2818022	10.187	2819517	0.629	2820504	2.270
2815888	1.653	2817539	10.185	2818034	2.555	2819518	0.629	2820505	2.270
2815893	9.644	2817581	0.094	2818038	4.256U	2819519	0.629	2820507	4.156U
2815916	3.451	2817582	0.094	2818112	4.265U	2819520	0.629	2820513	9.280
2815952	2.515	2817583	0.094	2818166	9.220	2819521	0.629	2820528	4.433F
2815952	2.555	2817585	0.094	2818166	9.779	2819522	0.629	2820532	5.110
2816032	0.852	2817586	0.094	2818184	15.292	2819523	0.629	2820533	5.110
2816049	9.171	2817587	0.094	2818195	4.041U	2819524	0.629	2820681	4.163U
2816109	5.382	2817588	0.096	2818206	4.658	2819525	0.629	2820682	4.030F
2816126	15.100	2817588	0.099	2818388	9.215	2819526	0.629	2820727	3.265
2816312	2.822	2817588	0.101	2818390	4.103U	2819527	0.629	2820777	4.265U
2816419	4.177U	2817588	0.103	2818391	4.103U	2819528	0.629	2820778	4.265U
2816422	4.177U	2817589	0.096	2818406	3.616	2819529	0.629	2820816	1.251
2816423	4.177U	2817589	0.099	2818406	3.706	2819530	0.629	2820823	10.187
2816426	4.158U	2817589	0.101	2818408	10.268	2819531	0.629	2820830	3.260
2816427	4.158U	2817589	0.103	2818456	9.779	2819532	0.629	2820844	2.424
2816428	4.158U	2817590	0.096	2818466	11.561	2819589	3.704	2820848	9.220
2816429	4.187U	2817590	0.099	2818641	9.211	2819590	3.704	2820857	4.256U
2816434	4.153U	2817590	0.101	2818641	9.779	2819591	3.704	2820868	4.265U
2816435	4.177U	2817590	0.103	2818652	4.015F	2819593	3.265	2820892	9.779
2816438	4.177U	2817592	0.096	2818746	8.132	2819595	6.509	2820899	3.701
2816441	4.177U	2817592	0.099	2818819	9.170	2819605	4.054U	2820930	0.423
2816442	4.177U	2817592	0.101	2818897	3.798	2819696	0.643	2820994	4.158U
2816491	4.158U	2817592	0.103	2818929	0.519	2819697	0.643	2821449	4.591
2816507	4.177U	2817593	0.096	2818984	9.276	2819698	0.643	2822025	0.643
2816582	11.925	2817593	0.099	2818985	9.276	2819699	0.643	2822026	0.643
2816690	0.852	2817593	0.101	2819001	4.030F	2819771	2.270	2822027	0.643
2816766	0.830	2817593	0.103	2819067	5.387	2819807	4.054U	2822028	0.643
2816796	0.830	2817594	0.096	2819068	5.387	2819858	9.600	2822057	1.219

TORANA "LX" PARTS CATALOGUE

PART No.	GROUP	PART No.	GROUP	PART No.	GROUP	PART No.	GROUP	PART No.	GROUP
2822065	4.177 U	2823438	12.805	2823980	10.696	2824309	11.629	2824560	4.342 U
2822287	15.292	2823439	12.803	2823981	1.108	2824311	2.515	2824564	2.485
2822340	7.632	2823441	12.807	2823985	0.830	2824316	12.803	2824577	12.491
2822485	8.800	2823442	6.761	2823988	1.069	2824319	9.785	2824578	12.491
2822614	2.819	2823445	10.230	2823996	10.681	2824320	9.785	2824582	12.971
2822620	9.275	2823447	10.230	2823997	10.681	2824321	12.803	2824583	12.971
2822621	9.220	2823449	12.805	2823999	3.001	2824322	12.803	2824584	10.159
2822622	9.220	2823451	12.805	2824003	12.940	2824327	6.761	2824585	2.555
2822627	9.281	2823457	5.420	2824004	12.940	2824332	13.090	2824603	10.701
2822635	4.038 U	2823461	6.307	2824005	4.050 A	2824336	6.168	2824604	10.701
2822638	11.561	2823465	12.972	2824006	4.046 A	2824337	6.168	2824608	2.486
2822639	11.561	2823484	3.001	2824007	4.020 A	2824342	7.831	2824609	4.015 U
2822640	11.573	2823532	12.941	2824008	4.019 A	2824344	9.779	2824614	8.010
2822709	9.220	2823533	12.941	2824015	2.679	2824347	3.609	2824616	12.934
2822917	4.006 F	2823539	5.382	2824016	2.679	2824348	3.705	2824617	12.934
2822933	4.103 A	2823540	12.940	2824017	2.682	2824362	4.649	2824620	7.836
2822944	4.196 U	2823541	12.940	2824021	0.852	2824363	12.948	2824621	7.836
2822944	6.760	2823599	10.222	2824029	12.184	2824364	12.948	2824624	9.709
2822947	3.260	2823607	0.852	2824030	12.184	2824366	11.634	2824625	9.709
2822948	3.260	2823619	0.852	2824035	12.972	2824370	11.175	2824626	10.529
2822978	2.682	2823622	12.956	2824036	12.972	2824371	11.179	2824627	10.550
2822979	2.684	2823623	12.956	2824038	3.110	2824372	11.175	2824628	10.550
2823082	5.855	2823630	3.202	2824059	0.844	2824374	6.168	2824645	11.628
2823163	12.982	2823632	0.839	2824076	2.555	2824377	10.460	2824649	6.758
2823200	12.982	2823633	11.200	2824077	12.980	2824378	10.460	2824651	12.982
2823201	12.982	2823651	0.830	2824078	12.980	2824379	7.831	2824652	12.982
2823207	12.984	2823651	4.625	2824091	10.307	2824380	10.506	2824653	2.700
2823208	12.984	2823661	2.727	2824092	10.307	2824386	4.625	2824663	7.836
2823213BA	10.203	2823667	4.223 U	2824101	3.003	2824409	11.629	2824664	7.836
2823213DV	10.203	2823693	12.895	2824103	3.003	2824444	10.466	2824670	12.971
2823213DX	10.203	2823694	12.895	2824104	3.003	2824456	10.466	2824673	10.685
2823213EC	10.203	2823695	12.895	2824105	3.001	2824457	10.466	2824674	10.685
2823214BA	10.203	2823696	12.895	2824116	10.507	2824459	10.454	2824678	10.685
2823214DV	10.203	2823769	10.563	2824120	0.852	2824460	10.454	2824679	10.685
2823214DX	10.203	2823776	12.940	2824123	2.333	2824461	10.450	2824681	10.747
2823214EC	10.203	2823803	4.651	2824124	2.333	2824462	10.450	2824682	10.747
2823240	5.382	2823808	13.090	2824131	7.836	2824466	10.529	2824683	10.696
2823241	5.382	2823821	13.090	2824143	12.972	2824467	10.150	2824689	9.779
2823317	12.810	2823826	10.701	2824147	12.243	2824469	10.159	2824697	12.966
2823320	12.895	2823827	10.701	2824211	12.184	2824470	10.147	2824698	12.187
2823321	12.895	2823829	12.944	2824212	12.184	2824471	10.159	2824699	12.187
2823322	12.895	2823830	12.944	2824213	0.831	2824472	10.563	2824701	11.960
2823323	12.895	2823836	12.971	2824213	4.626	2824474	9.709	2824703	4.639
2823326	12.913	2823840	1.064	2824222	10.456	2824475	9.709	2824726	7.836
2823327	12.913	2823841	1.064	2824223	10.456	2824477	10.159	2824727	7.836
2823328	12.913	2823850	0.269	2824224	12.980	2824480	10.759	2824729	11.960
2823329	12.913	2823851	0.269	2824226	4.041 U	2824481	10.759	2824730	10.556
2823356	12.491	2823878	5.382	2824227	4.040 U	2824482	10.701	2824733	10.681
2823357	12.491	2823879	5.382	2824233	5.441	2824483	10.701	2824734	10.681
2823392	12.952	2823880	12.955	2824239	12.243	2824515	8.153	2824760	10.783
2823424	1.064	2823881	12.955	2824241	11.373	2824516	8.153	2824761	10.783
2823429	12.804	2823903	10.741	2824246	12.971	2824539	12.984	2824762	1.270
2823430	12.804	2823904	10.741	2824247	12.971	2824540	12.984	2824785	2.728
2823431	12.805	2823932	10.307	2824254	11.373	2824541	1.073	2824788	10.701
2823432	12.805	2823935	12.075	2824284	10.466	2824550	10.550	2824789	10.701
2823433	12.805	2823936	12.075	2824285	10.466	2824551	12.980	2824797	7.241
2823434	12.805	2823939	6.008	2824297	4.020 A	2824553	1.069	2824800	7.535
2823435	12.805	2823974	10.829	2824298	4.019 A	2824554	10.152	2824816	7.870
2823436	12.805	2823975	10.829	2824303	4.279 U	2824560	4.342 A	2824817	7.870
2823437	12.805	2823979	10.696	2824308	11.629	2824560	4.342 F	2824830	11.950

TORANA "LX" PARTS CATALOGUE

PART No.	GROUP	PART No.	GROUP	PART No.	GROUP	PART No.	GROUP	PART No.	GROUP
2824845	2.342	2825232	10.710	2825781BA	14.630	2909703	2.310	3028858	3.120
2824847	2.341	2825233	10.710	2825781DV	14.630	2909711	2.291	3028858	12.243
2824861	9.779	2825236	4.826	2825781DX	14.630	2909712	2.280	3029432	9.195
2824864	9.211	2825271	3.731	2825781EC	14.630	2909714	2.289	3140600	9.220
2824869	9.779	2825280	7.345	2825782BA	14.630	2909715	2.289	3140852	9.220
2824874	4.625	2825280	8.823	2825782DV	14.630	2962243	2.700	3147463	9.213
2824878	7.503	2825341	10.159	2825782DX	14.630	2962243	4.055 U	3176207	7.347
2824879	12.981	2825342	10.159	2825782EC	14.630	2962243	10.270	3293509	4.357 B
2824882	4.625	2825343	10.147	2825821	1.516	2962243	11.960	3293514	4.103 B
2824887	0.795	2825345	10.159	2825827	12.045	2962243	13.090	3293517	4.380 B
2824888	10.791	2825365	4.081 H	2825869	3.265	2962448	2.515	3293520	4.430 B
2824889	10.791	2825365	4.081 U	2825882	0.519	2962448	2.555	3293521	4.433 B
2824893	9.779	2825377	10.694	2825886	2.810	2962448	2.810	3293522	4.433 B
2824895BA	15.024	2825388	2.822	2825904	5.813	2962448	2.830	3293526	4.380 B
2824895DX	15.024	2825404	2.822	2825918	1.265	2962448	9.276	3293532	4.317 B
2824895DY	15.024	2825410	10.150	2825918	12.182	2962448	9.778	3293535	4.318 B
2824895EK	15.024	2825446	5.441	2825919	1.265	2962448	11.960	3293540	4.105 B
2824906	2.895	2825480	2.275	2825919	12.182	2962448	13.090	3293541	4.109 B
2824918	10.827	2825504	6.758	2825920	12.182	2962449	2.555	3293542	4.311 B
2824919	10.827	2825506DU	15.306	2825921	1.265	2962449	13.090	3293543	4.311 B
2824934	8.079	2825509	2.810	2825921	12.182	2962551	2.555	3293544	4.311 B
2824939	10.512	2825523	2.830	2825922	1.265	2962679	2.555	3293545	4.311 B
2824940	10.512	2825528	4.009 U	2825922	12.182	2962679	4.055 U	3293547	4.303 B
2824946	10.150	2825529	7.831	2825925	3.710	2962910	2.555	3293548	4.304 B
2824959	9.662	2825532	7.831	2825954	3.603	2962964	10.153	3293549	4.423 B
2824984	10.506	2825538	15.294	2825988	4.430 F	2962965	2.555	3293550	4.421 B
2825009CY	14.655	2825561	12.956	2825996	3.705	2962967	2.555	3293553	4.423 B
2825009DX	14.655	2825576	10.092	2825997	3.705	2962967	4.055 U	3296941	4.418 B
2825009DY	14.655	2825577	10.093	2825998	3.701	2962967	9.276	3297015	4.382 B
2825009EK	14.655	2825577	11.208	2825999	3.704	2962969	13.090	3297018	4.351 B
2825019	2.274	2825578	10.093	2826000	3.704	2962984	2.586	3297019	4.395 B
2825034	10.822	2825579	10.093	2829795	4.103 F	2962984	2.810	3299051	4.309 B
2825041	10.710	2825580	10.093	2829796	3.521	2962984	9.648	3299877	4.311 B
2825057	7.503	2825581	10.093	2829798	3.521	2962984	9.778	3299883	4.428 B
2825058	7.503	2825615	4.594	2829801	4.829	2962984	11.960	3460499	4.008 H
2825078	10.156	2825636	0.830	2829872	9.709	2962984	13.090	3460500	4.008 H
2825084	12.944	2825642	0.833	2829877	10.261	2965073	9.276	3467364	2.555
2825085	12.944	2825645	0.837	2829899	10.759	2965736	2.251	3472002	2.275
2825090	10.563	2825646	0.830	2829904	0.795	2965987	2.258	3472018	2.275
2825091	4.265 U	2825647	0.918	2829906	0.844	2973390	13.092	3472311	2.289
2825091	4.279 U	2825648	0.903	2829925	6.326	2973407	9.276	3472312	2.287
2825106	2.555	2825650	0.846	2829936	4.685	2973431	2.697	3472314	2.289
2825131	12.942	2825651	0.844	2829937	4.685	2973431	4.055 U	3472316	2.291
2825132	12.942	2825657	11.208	2829938	4.685	2973431	9.276	3472318	2.286
2825139	4.596	2825658	11.208	2829939	4.685	2973603	13.090	3472319	2.285
2825142CY	14.762	2825668	4.592	2829940	4.685	2977253	2.520	3472322	2.291
2825142DV	14.762	2825679	10.187	2829941	4.685	2977253	2.555	3472324	2.310
2825142DX	14.762	2825680	10.187	2829963	0.027	2977763	4.055 U	3472330	2.310
2825142EC	14.762	2825692	12.942	2829987	4.829	2984164	2.555	3472350	2.307
2825143CY	14.762	2825693	12.942	2865032	4.008 H	2984169	2.555	3472351	2.279
2825143DV	14.762	2825731	0.929	2865035	4.008 H	2984528	2.555	3472377	2.307
2825143DX	14.762	2825732	7.831	2865093	4.311 H	3004686	9.779	3472395	2.274
2825143EC	14.762	2825736	4.081 H	2886929	4.008 H	3011293	9.779	3472406	2.500
2825184	4.265 U	2825736	4.081 U	2909227	2.316	3015492	3.120	3472410	2.274
2825188	4.829	2825743	5.387	2909232	2.289	3015545	9.215	3472419	2.274
2825213	3.163	2825754	6.361	2909236	2.289	3016305	9.211	3472421	2.279
2825223	10.185	2825773	6.518	2909250	2.310	3017086	9.213	3472429	2.310
2825228	10.694	2825774	6.518	2909321	2.280	3022875	9.210	3472450	2.297
2825229	10.694	2825779	6.518	2909510	2.500	3027062	9.215	3472451	2.305
2825230	1.159	2825780	6.518	2909703	2.291	3027134	9.215	3472454	2.297

TORANA "LX" PARTS CATALOGUE

PART No.	GROUP	PART No.	GROUP	PART No.	GROUP	PART No.	GROUP	PART No.	GROUP
3472455	2.298	3786275	3.163	3901064	10.550	5257866	4.384 H	5258202	4.129 U
3472457	2.289	3786276	3.003	3901065	2.188	5258001	4.166 U	5258203	4.129 U
3472458	2.289	3786276	3.120	3901065	10.550	5258002	4.166 U	5258204	4.129 U
3472459	2.305	3786292	4.317 H	3902292	9.281	5258004	4.166 U	5258205	4.129 U
3472460	2.306	3787240	4.103 A	3909982	3.459	5258005	4.166 U	5258206	4.129 U
3474207	2.170	3788444	1.429	3911068	0.303	5258017	4.163 U	5258207	4.129 U
3702366	1.609	3789860	0.033	3911670	9.180	5258019	4.163 U	5258212	4.265 U
3706737	9.170	3789860	0.553	3919812	3.403	5258021	4.189 U	5258213	4.265 U
3707174	4.412 B	3789898	3.273	3922831	10.266	5258025	4.163 U	5258215	4.265 U
3707188	4.412 B	3792316	9.220	3924414	3.430	5258035	4.163 U	5258216	4.265 U
3707189	4.412 A	3792359	9.170	3927791	1.064	5258038	4.165 U	5258219	4.226 U
3707189	4.412 B	3798256	0.831	3932255	4.317 A	5258039	4.165 U	5258240	4.265 U
3707189	4.412 F	3798256	4.626	3932255	4.317 F	5258041	4.166 U	5258241	4.294 U
3707190	4.412 B	3799830	4.156 U	3932255	4.317 U	5258042	4.166 U	5258243	4.265 U
3707191	4.412 B	3805921	4.256 U	3933330	3.003	5258043	4.166 U	5258244	4.265 U
3708146	4.338 B	3813905	4.383 H	3934137	10.266	5258054	4.177 U	5258253	4.279 U
3708146	4.338 H	3814026	3.603	3937781	1.050	5258055	4.177 U	5258275	0.683
3708408	3.403	3814776	9.220	3942672	9.199	5258057	4.163 U	5258276	0.683
3710497	4.128 U	3815009	9.220	3942673	9.220	5258058	4.163 U	5258283	4.163 U
3711176	0.309	3820840	4.104 U	3947772	1.064	5258062	4.294 U	5258284	4.163 U
3713379	0.027	3829058	1.762	3970076	3.120	5258065	4.177 U	5258285	4.163 U
3717682	4.317 A	3829086	3.275	3979727	9.275	5258066	4.177 U	5258286	4.294 U
3717682	4.317 B	3829139	4.195 U	3980267	0.209	5258076	4.295 U	5258289	4.166 U
3717682	4.317 F	3829381	9.220	3987936	4.354 A	5258082	4.294 U	5258293	4.156 U
3717682	4.317 U	3831716	4.309 B	3987936	4.354 F	5258087	4.177 U	5258294	4.156 U
3719206	1.426	3835215	8.800	4150462	10.466	5258090	4.129 U	5258323	4.166 U
3719206	3.900	3835487	3.275	4150462	11.630	5258091	4.129 U	5258329	4.256 U
3730562	15.280	3835665	1.758	4157887	10.783	5258093	4.128 U	5258333	4.265 U
3741458	4.356 B	3835946	0.209	4157887	10.791	5258094	4.128 U	5258338	4.265 U
3746213	4.317 H	3836710	3.275	4158245	10.783	5258095	4.153 U	5258338	4.279 U
3749084	0.787	3836755	0.308	4158245	10.791	5258100	4.127 U	5258339	4.212 U
3749084	0.852	3837115	1.610	4158246	10.783	5258109	4.166 U	5258340	4.265 U
3749084	0.921	3837324	9.220	4158246	10.791	5258116	4.128 U	5258342	4.256 U
3749084	4.019 A	3840341	9.195	4168122	10.513	5258119	4.226 U	5258344	4.226 U
3749084	4.019 B	3840818	9.220	4168122	10.797	5258121	4.128 U	5258350	4.153 U
3749084	4.020 A	3845202	4.383 B	4171918	10.783	5258124	4.164 U	5258351	4.158 U
3749084	4.020 B	3849840	9.220	4171918	10.791	5258125	0.683	5258383	4.256 U
3749084	4.035 F	3850525	4.156 U	4304426	11.581	5258128	4.158 U	5258443	4.265 U
3749084	4.040 U	3850581	9.171	4309534	10.466	5258129	4.158 U	5258484	4.317 U
3749086	1.246	3857018	12.966	4465224	10.571	5258130	4.224 U	5258493	4.337 F
3750685	3.163	3860345	4.337 B	4469196	10.571	5258132	4.128 U	5258493	4.337 U
3754269	9.281	3860346	4.337 B	4469197	10.571	5258137	4.158 U	5258494	4.337 U
3766603	4.309 B	3861416	9.220	4556605	11.373	5258140	4.226 U	5258509	4.265 U
3770106	9.281	3864395	9.220	4556605	11.420	5258143	4.226 U	5258528	4.163 U
3770112	4.830	3869910	4.342 H	4556605	11.611	5258145	4.265 U	5258543	4.166 U
3770598	2.414	3869914	4.338 B	4556605	11.629	5258158	4.177 U	5258545	4.177 U
3774937	3.107	3884571	3.726	4558184	10.260	5258159	4.127 U	5258547	4.256 U
3775050	4.376 A	3888457	9.180	4566746	10.806	5258160	4.265 U	5258547	4.265 U
3775050	4.376 F	3891794	9.280	4576655	10.506	5258161	4.226 U	5258553	4.177 U
3775052	4.376 A	3895904	9.281	4576655	10.556	5258166	4.226 U	5258554	4.177 U
3775052	4.376 F	3895908	9.220	4587931	10.550	5258179	4.265 U	5258555	4.177 U
3775061	4.428 A	3895976	9.220	4770719	10.695	5258180	4.265 U	5258563	4.233 U
3775061	4.428 F	3896934	0.309	4780518	12.248	5258181	4.265 U	5258564	4.233 U
3775063	4.423 A	3901061	2.188	4839529	10.559	5258183	4.228 U	5258566	4.233 U
3775063	4.423 B	3901061	10.550	4849850	9.275	5258185	4.233 U	5258569	4.228 U
3775063	4.423 F	3901062	2.188	4884405	10.553	5258190	4.251 U	5258572	4.233 U
3775089	4.382 A	3901062	10.550	4939678	9.215	5258191	4.103 U	5258578	4.009 U
3775089	4.382 F	3901063	2.188	4975503	7.345	5258193	4.265 U	5258578	4.265 U
3784834	0.626	3901063	10.550	5232765	0.459	5258195	4.265 U	5258580	4.265 U
3786275	3.120	3901064	2.188	5257865	4.383 H	5258199	4.318 U	5258582	4.265 U

TORANA "LX" PARTS CATALOGUE

PART No.	GROUP	PART No.	GROUP	PART No.	GROUP	PART No.	GROUP	PART No.	GROUP
5258584	4.265 U	6256636	2.362	7031105	3.763	7205937	6.008	7400673	0.914
5258600	4.265 U	6270078	1.123	7031231	3.791	7211419	6.524	7401111	1.154
5258709	4.433 H	6288440	2.555	7031925	3.799	7211458	6.008	7401296	0.033
5258805	4.265 U	6288538	2.555	7031976	3.754	7216575	6.807	7401304	0.683
5258807	4.265 U	6288539	2.555	7031977	3.754	7216579	6.809	7401727	0.929
5258809	4.256 U	6294016	9.276	7032324	3.776	7308858	9.275	7401768	11.611
5258850	4.226 U	6294142	2.555	7032508	3.890	7316425	4.316 H	7401768	11.629
5258892	4.233 U	6294643	2.555	7033747	3.772	7316448	4.318 H	7401998	6.364
5258939	4.226 U	6368033	4.628	7033751	3.771	7316456	4.004 H	7402029	0.870
5258989	4.163 U	6383505	11.010	7034320	3.806	7316458	4.380 H	7402293	2.586
5258990	4.163 U	6392432	11.010	7034356	3.890	7316461	4.316 H	7402561	7.796
5259609	4.177 U	6397760	6.809	7034522	3.806	7316463	4.307 H	7402561	10.263
5259666	4.233 U	6397761	6.809	7034845	3.806	7316464	4.307 H	7403873	10.556
5259667	4.128 U	6397763	6.809	7034849	3.806	7316465	4.303 H	7404726	0.937
5289527	2.258	6413700	3.925	7034850	3.806	7316466	4.303 H	7404734	0.911
5290441	2.258	6413712	3.922	7034903	3.788	7316473	4.003 H	7404736	0.912
5297797	2.700	6413724	3.926	7034975	3.890	7316473	4.317 H	7405107	3.767
5297797	4.055 U	6413726	3.926	7035130	3.771	7316476	4.380 H	7405109	3.751
5452315	4.653	6414278	3.921	7035344	3.780	7316479	4.003 H	7405112	3.773
5452322	4.652	6414391	3.921	7035523	3.735	7316479	4.317 H	7405118	3.789
5452519	4.656	6415453	3.902	7035772	3.735	7316529	4.010 H	7405120	3.792
5452520	4.655	6416345	3.910	7035790	3.748	7316530	4.010 H	7405121	3.792
5453620	4.654	6416623	3.920	7036019	3.788	7316603	4.422 H	7405122	3.791
5454797	5.158	6420265	3.410	7036021	3.789	7316892	4.337 H	7405124	3.791
5454798	5.158	6421976	1.762	7036067	3.798	7316926	4.103 H	7405125	3.791
5455298	4.667	6424450	3.415	7036425	3.764	7322503	4.337 H	7405131	3.757
5455487	4.669	6424498	3.415	7036430	3.791	7322506	4.356 H	7405133	3.778
5460195	4.654	6484242	3.415	7036565	3.724	7329897	4.412 H	7405136	3.784
5462635	4.654	6484245	3.415	7036741	3.725	7329902	4.423 H	7405138	3.783
5462637	4.657	6484435	3.415	7036743	3.748	7329909	4.430 H	7405139	3.787
5462642	4.657	6486638	3.415	7037314	3.779	7330345	4.422 H	7405140	3.736
5463805	4.251 U	6556526	9.195	7037316	3.773	7333586	4.311 H	7405140	3.778
5464418	4.653	6598831	9.195	7037317	3.775	7333738	4.316 H	7405140	3.783
5464424	4.655	6598832	9.195	7037319	3.762	7334191	4.433 H	7405141	3.778
5467356	4.656	6599444	9.198	7037337	3.778	7334223	4.307 H	7405144	3.756
5574397	1.837	6599445	9.202	7038167	3.799	7334418	4.009 H	7405145	3.784
5575416	1.837	6599447	9.195	7038239	3.799	7334419	4.006 H	7405146	3.757
5592046	3.906	6599451	9.202	7038964	3.763	7334441	4.309 H	7405147	3.772
5592850	3.902	7002117	3.760	7038967	3.799	7334971	4.432 H	7405153	3.783
5592851	3.921	7002121	3.734	7039168	3.725	7334972	4.432 H	7405156	3.775
5592852	3.921	7003176	3.734	7039188	3.725	7377884	14.655	7405158	3.767
5593301	3.902	7005109	3.798	7040691	3.778	7377884	14.760	7405159	3.784
5593404	3.904	7005109	3.799	7041300	3.725	7377884	14.803	7405160	3.782
5593866	3.909	7006092	10.550	7042457	3.741	7400144	8.077	7405162	3.787
5623374	3.909	7011479	3.742	7043634	3.735	7400162	4.352 A	7405165	3.729
5651393	3.890	7014699	3.763	7045823	3.735	7400162	4.352 B	7405165	3.789
5679626	6.168	7021697	3.130	7048028	3.780	7400162	4.352 F	7405166	3.763
5679627	6.168	7026014	3.130	7048169	3.780	7400169	0.940	7405166	3.795
5679629	6.168	7026138	3.783	7048532	3.741	7400181	4.103 A	7405167	3.763
5679630	6.168	7026339	3.799	7077093	2.333	7400181	4.103 F	7405167	3.795
5693552	6.168	7027270	3.798	7084112	7.243	7400181	5.400	7405170	3.775
5694191	6.521	7029087	3.765	7100321	11.373	7400256	4.317 A	7405562	2.370
5699603	6.521	7029849	3.760	7100321	15.000	7400256	4.317 B	7405590	2.083
5887997	9.170	7029862	3.810	7139364	2.384	7400256	4.317 F	7405604	2.108
5910594	9.198	7029866	3.789	7139959	12.944	7400256	5.387	7405613	2.372
5910745	9.213	7029899	3.737	7156338	6.530	7400256	5.400	7405614	2.372
5914817	9.198	7029900	3.737	7162126	11.010	7400279	5.543	7405615	2.372
6255523	0.626	7029912	3.763	7162127	11.010	7400280	5.542	7405633	2.316
6255641	4.133 U	7030677	3.735	7171275	6.809	7400393	5.586	7405638	2.410
6256437	4.764	7030758	3.130	7196633	11.208	7400663	0.913	7405645	2.102

TORANA "LX" PARTS CATALOGUE

PART No.	GROUP	PART No.	GROUP	PART No.	GROUP	PART No.	GROUP	PART No.	GROUP
7405703	2.280	7414969	2.342	7420177	0.297	7423304	5.188	7425993	0.289
7405754	5.019	7414969	9.275	7420240	3.763	7423305	3.202	7426211	3.201
7405970	3.616	7415204	5.387	7420244	3.764	7423454	2.239	7426212	2.424
7405971	3.616	7415559	8.085	7420254	3.797	7423483	1.453	7426356	10.155
7406004	0.683	7415654	4.685	7420311	0.666	7423483	4.195 U	7426387	7.347
7406323	2.387	7415658	3.120	7420312	0.669	7423578	5.041	7426400	12.248
7406323	2.500	7415761	0.920	7420335	3.771	7423613	1.643	7426400	12.942
7406618	2.063	7415943	3.900	7420336	4.205 U	7423613	2.374	7426417	9.778
7406701	3.771	7417028	8.800	7420345	0.033	7423616	0.536	7426417	13.092
7406742	2.385	7417478	2.892	7420476	2.333	7423746	5.002	7426554	0.907
7406835	2.108	7417490	1.611	7420687	3.901	7424068	8.024	7426584	3.932
7406859	2.100	7417652	4.045 F	7420688	3.925	7424198	2.824	7426769	5.026
7406900	2.387	7417652	4.046 A	7420715	4.666	7424228	8.085	7426770	5.026
7406900	2.500	7417652	4.050 A	7420743	4.675	7424249	8.024	7426772	5.107
7407400	5.539	7418077	2.481	7420746	0.938	7424387	12.942	7426773	5.107
7407811	11.634	7418196	6.364	7420762	5.151	7424550	3.763	7426774	5.103
7408094	5.460	7418439	4.035 F	7420773	4.670	7424551	3.780	7426775	5.103
7408095	5.460	7418525	12.944	7420779	5.158	7424555	3.779	7426776	5.103
7408096	5.460	7418525	12.972	7420795	5.150	7424617	3.731	7426777	5.103
7408097	5.460	7418525	12.981	7420798	0.649	7424617	3.781	7426778	5.103
7408098	5.460	7418548	5.387	7420807	5.149	7424618	3.731	7426780	5.105
7408099	5.460	7418703	2.700	7420808	5.149	7424618	3.781	7426781	5.105
7408100	5.460	7418908	10.152	7420847	2.087	7424631	2.087	7426782	5.105
7408627	12.186	7418993	10.263	7420850	2.306	7424633	2.096	7426783	5.045
7409160	0.798	7419064	1.928	7420853	2.298	7424642	2.049	7426790	5.111
7409209	7.796	7419195	10.155	7421214	0.636	7424644	2.049	7426808	5.045
7409209	12.580	7419196	10.556	7421381	10.150	7424645	2.049	7426874	8.800
7409643	12.243	7419479	11.373	7421475	5.504	7424647	2.083	7426909	1.611
7409929	0.910	7419642	4.038 U	7421634	5.531	7424648	2.108	7426937	1.723
7409936	4.628	7419667	3.403	7421642	5.536	7424649	2.108	7427343	3.783
7409936	4.636	7419668	3.403	7421643	5.536	7424652	2.043	7427353	12.966
7409949	0.839	7420001	1.429	7421645	5.484	7424653	2.086	7427418	0.748
7409950	0.839	7420004	0.207	7421646	5.484	7424657	2.067	7427625	1.516
7409965	0.935	7420011	1.658	7421647	5.506	7424659	2.052	7427731	0.296
7409966	0.936	7420016	1.724	7421649	5.545	7424660	2.051	7427732	0.297
7409968	0.937	7420017	1.654	7421650	5.537	7424661	2.053	7427738	0.206
7410046	4.680	7420025	0.728	7421664	5.453	7424665	2.063	7427756	10.155
7410766	0.929	7420026	0.738	7421668	5.545	7424666	2.077	7427774	1.219
7410794	5.043	7420034	0.519	7421671	5.447	7424669	2.100	7427807	4.040 U
7410830	12.972	7420066	1.073	7421672	5.447	7424678	2.102	7427808	4.040 U
7410830	14.655	7420068	1.109	7421673	0.027	7424679	2.102	7427905	5.018
7410830	14.760	7420069	1.079	7421673	5.506	7424685	2.316	7427962	5.555
7411921	5.517	7420070	1.069	7421673	9.171	7424746	2.372	7428552	0.844
7413031	2.555	7420071	0.296	7421719	5.504	7424749	2.387	7428707	2.096
7413031	10.155	7420072	0.297	7421765	3.112	7424753	2.382	7428968	2.367
7413032	2.555	7420073	0.303	7421813	5.505	7424784	5.809	7428969	2.382
7413032	13.092	7420086	0.623	7421877	0.449	7424835	5.111	7428970	2.393
7413223	10.783	7420106	0.056	7421890	12.242	7424836	5.110	7428972	2.385
7413223	10.791	7420114	0.666	7421939	2.414	7424840	8.024	7428980	2.388
7413370	2.555	7420118	0.669	7422731	5.545	7424849	8.143	7428982	2.368
7413370	9.276	7420124	0.439	7422733	5.546	7424850	8.143	7429031	10.150
7413370	9.281	7420128	0.679	7422734	5.586	7425039	8.800	7429033	10.150
7413370	10.155	7420137	0.293	7422739	3.410	7425228	8.800	7429151	6.364
7413370	12.243	7420138	0.269	7422779	2.170	7425229	8.800	7429390	0.839
7413400	5.858	7420151	3.273	7422780	2.170	7425230	8.800	7429459	1.252
7413406	6.311	7420172	0.296	7422907	2.170	7425234	8.800	7429464	3.288
7413409	6.313	7420173	0.296	7423242	5.055	7425272	10.150	7429473	0.289
7414105	15.036	7420174	0.296	7423276	4.686	7425330	8.800	7429476	3.275
7414620	2.555	7420175	0.297	7423279	5.529	7425653	5.460	7429514	3.601
7414906	3.275	7420176	0.297	7423284	1.153	7425931	5.504	7429519	0.603

TORANA "LX" PARTS CATALOGUE

PART No.	GROUP	PART No.	GROUP	PART No.	GROUP	PART No.	GROUP	PART No.	GROUP
7429532	3.611	7431993	3.616	7433868	4.430 A	7434815	0.296	7436043	10.783
7429539	3.610	7431993	3.706	7433869	4.309 A	7434816	0.296	7436154	0.906
7429551	4.007 A	7432222	4.081 A	7433869	4.309 F	7434817	0.296	7436183	0.902
7429551	4.007 B	7432222	4.081 B	7433871	4.403 A	7434818	0.297	7436184	0.902
7429551	4.007 U	7432222	4.081 F	7433895	0.796	7434819	0.297	7436220	3.616
7429571	10.783	7432222	4.081 U	7433896	0.798	7434820	0.297	7436222	3.616
7429637	0.934	7432235	4.081 A	7433927	4.311 A	7434821	0.297	7436222	3.706
7429741	0.934	7432235	4.081 B	7433927	4.311 F	7434848	1.654	7436254	2.892
7429774	0.533	7432235	4.081 F	7433928	4.423 A	7434849	1.724	7436617	1.426
7429828	0.904	7432235	4.081 U	7433928	4.423 F	7434855	2.362	7436617	8.143
7429932	2.277	7432336	10.466	7433929	4.408 A	7434859	1.656	7436618	1.426
7429966	4.382 F	7432435	8.081	7433929	4.408 F	7434861	0.429	7436618	4.010 U
7429999	4.355 A	7432638	5.510	7433986	4.433 A	7434869	8.055	7436629	0.886
7429999	4.355 F	7432669	12.248	7433998	4.317 A	7434870	0.333	7436630	0.886
7430096	0.679	7432672	12.248	7434007	12.803	7434871	0.519	7436633	0.861
7430099	0.796	7432888	2.737	7434165	2.333	7434874	1.835	7436634	0.861
7430136	4.309 A	7432889	2.729	7434201	2.555	7434932	1.723	7436713	2.424
7430136	4.309 F	7432906	13.092	7434211	3.163	7434961	4.653	7436713	3.415
7430270	0.289	7432966	12.112	7434224	0.659	7434978	4.383 A	7436736	5.529
7430410	2.274	7432966	12.114	7434262	10.154	7434978	4.383 F	7436752	2.239
7430444	0.616	7433068	8.077	7434266	4.342 A	7434979	3.270	7436758	0.426
7430445	0.616	7433103	1.270	7434266	4.342 F	7434980	3.270	7436769	3.120
7430446	0.616	7433103	11.634	7434266	4.342 U	7434981	2.361	7436769	3.430
7430448	0.616	7433139	4.652	7434307	4.421 A	7434996	10.187	7436769	9.220
7430449	0.616	7433162	4.652	7434308	4.418 A	7434998	10.187	7436769	9.276
7430450	0.616	7433250	1.762	7434327	10.153	7435003	3.163	7437055	4.383 A
7430451	0.616	7433264	4.017 A	7434379	10.153	7435027	10.797	7437055	4.383 F
7430452	0.616	7433264	4.017 B	7434452	4.342 A	7435043	4.384 A	7437069	0.679
7430453	0.616	7433352	6.518	7434452	4.342 B	7435043	4.384 F	7437128	0.844
7430454	0.616	7433398	12.580	7434452	4.342 F	7435044	4.380 A	7437137	0.797
7430496	3.270	7433488	12.116	7434452	4.342 H	7435044	4.380 F	7437138	0.797
7430790	7.632	7433508	4.628	7434452	4.342 U	7435045	4.380 A	7437199	3.610
7430865	1.069	7433520	0.902	7434465	2.697	7435047	4.384 A	7437268	7.370
7430865	1.251	7433521	0.902	7434562	10.559	7435071	3.270	7437269	0.748
7430869	5.504	7433522	0.924	7434699	0.736	7435105	2.170	7437284	0.852
7430870	5.504	7433551	8.075	7434717	0.207	7435107	0.533	7437291	3.275
7430871	5.504	7433631	1.453	7434726	0.623	7435140	3.270	7437296	3.410
7430917	4.342 A	7433633	1.453	7434728	0.636	7435153	5.508	7437297	3.403
7430917	4.342 F	7433691	3.726	7434732	1.643	7435189	1.062	7437298	3.410
7430917	4.342 U	7433737	3.616	7434734	1.429	7435242	10.512	7437317	4.337 A
7430921	4.338 A	7433738	3.616	7434735	1.429	7435250	0.533	7437372	0.666
7430921	4.338 F	7433767	4.318 A	7434738	0.308	7435270	5.529	7437392	5.529
7430921	4.338 U	7433768	4.317 A	7434739	0.669	7435295	0.659	7437450	3.275
7430922	0.736	7433769	4.109 A	7434740	1.658	7435380	5.504	7437489	0.852
7430967	4.337 F	7433769	4.109 F	7434741	3.932	7435382	5.505	7437584	7.347
7430967	4.337 U	7433771	4.105 A	7434749	1.079	7435383	5.545	7437585	7.347
7430968	4.337 F	7433771	4.105 F	7434755	1.659	7435386	5.586	7437586	7.347
7430969	4.337 A	7433772	4.311 A	7434757	0.736	7435393	0.683	7437615	5.504
7430969	4.337 F	7433773	4.311 A	7434758	3.900	7435396	1.659	7437616	5.504
7430969	4.337 U	7433774	4.304 A	7434759	0.728	7435397	2.041	7437623	3.415
7430970	4.337 U	7433775	4.303 A	7434767	0.296	7435413	9.640	7437656	9.171
7430971	4.337 A	7433775	4.303 F	7434768	0.297	7435450	0.603	7437749	10.153
7430971	4.337 F	7433776	4.423 A	7434778	0.669	7435458	0.659	7437814	4.931
7430971	4.337 U	7433776	4.423 F	7434795	1.154	7435546	5.510	7437863	10.829
7430972	4.337 U	7433793	0.797	7434800	0.666	7435617	0.636	7437892	9.275
7431087	2.170	7433794	0.797	7434808	0.293	7435646	0.683	7438035	5.527
7431533	0.673	7433806	3.260	7434809	0.293	7435833	1.609	7438087	0.277
7431746	0.736	7433806	9.220	7434810	0.293	7435914	6.321	7438089	4.665
7431992	3.616	7433806	9.779	7434812	0.289	7436026	3.601	7438090	4.665
7431992	3.706	7433830	4.395 A	7434814	0.296	7436029	0.308	7438110	2.041

TORANA "LX" PARTS CATALOGUE

PART No.	GROUP	PART No.	GROUP	PART No.	GROUP	PART No.	GROUP	PART No.	GROUP
7438128	1.109	7800269	6.521	9299548	4.382H	9414920	9.779	9422299	6.008
7438144	5.510	7800580	6.521	9299549	4.382H	9415191	9.280	9422299	6.168
7438159	4.670	7804410	2.195	9299653	4.003H	9415537	9.640	9422301	5.382
7438308	4.665	7804412	2.195	9299655	0.683	9416128	9.779	9422301	6.008
7438309	4.665	7804413	6.518	9299679	4.317H	9416160	1.069	9423842	0.429
7438383	1.270	7804771	6.521	9299685	4.309H	9416367	0.533	9423842	0.683
7438383	15.292	7805700	6.524	9299687	4.309H	9416367	0.679	9423842	4.226U
7438390	4.668	7805950	2.188	9299690	4.421H	9416642	8.112	9425111	4.681
7438477	0.277	7806046	2.195	9299691	4.433H	9416642	9.169	9426105	12.243
7438527	4.383A	7930601	9.280	9299693	4.395H	9416642	9.210	9426332	2.481
7438527	4.383F	7935830	9.275	9299694	4.415H	9416846	9.169	9426333	2.481
7438528	4.931	7950671	3.927	9299695	4.351H	9417098	4.019A	9426341	2.481
7438562	1.762	7950756	3.910	9299951	4.421H	9417098	4.019B	9426378	2.830
7438646	5.111	8526387	9.213	9299952	4.418H	9417098	4.020A	9426438	2.515
7438806	5.529	8526398	9.220	9300694	4.337H	9417098	4.020B	9427182	0.683
7438910	8.800	8526645	9.220	9300717	4.337H	9417098	4.040U	9427636	1.069
7438960	0.289	8623056	4.282U	9300718	4.337H	9417098	4.636	9427636	3.900
7438983	1.219	8623653	4.127U	9411027	6.233	9417098	4.662	9427637	0.206
7438985	1.219	8625571	0.683	9411372	9.199	9417275	4.352H	9427637	1.069
7439076	4.665	8625657	4.177U	9411372	9.280	9417350	1.221	9427637	9.171
7439491	1.610	8780507	11.928	9411397	4.016U	9417730	5.875	9427638	1.069
7439585	1.745	8786143	10.266	9411529	9.275	9417863	4.038U	9427638	3.710
7439633	2.706	8905102	13.090	9413531	8.112	9417866	2.586	9427729	3.275
7439643	2.709	8905116	2.555	9413586	2.897	9417866	2.679	9427729	9.171
7439693	0.679	8905116	9.778	9414045	11.925	9417867	2.679	9427813	1.069
7439867	5.504	8905117	2.555	9414193	4.422A	9417891	6.168	9427813	1.652
7439930	4.017U	8905117	9.778	9414193	4.422B	9417892	6.168	9427961	0.033
7440470	2.170	8958619	4.128U	9414193	4.422F	9418302	8.085	9428163	1.069
7441302	1.803	8958678	4.164U	9414320	3.403	9418622	14.651	9428353	9.275
7441715	3.003	8965234	4.012H	9414711	8.075	9418693	1.265	9428787	3.780
7441938	2.333	8965250	4.309H	9414711	9.213	9418931	6.176	9429662	7.370
7446262	9.280	8967254	4.354H	9414711	9.278	9419264	11.588	9430452	1.064
7447103	10.155	8967474	4.011H	9414711	9.280	9419342	6.760	9430454	1.064
7447111	2.726	8968032	2.697	9414711	9.779	9419378	3.265	9432886	3.120
7448437	2.737	9297787	4.010H	9414711	11.010	9419609	2.459	9433637	1.066
7448553	8.800	9298089	4.012H	9414712	2.515	9419609	8.126	9433975	0.852
7448554	8.800	9298090	4.012H	9414712	9.169	9419938	10.783	9434026	0.679
7448575	0.683	9298091	4.012H	9414712	9.779	9419938	12.242	9677326	9.675
7448795	6.020	9298092	4.015H	9414712	11.561	9420234	7.831	9695953	9.675
7448810	4.337U	9298093	4.012H	9414712	11.960	9420908	4.038U	9704186	10.466
7448829	0.056	9298260	4.376H	9414712	15.390	9420972	15.288	9704187	10.466
7449079	2.824	9298510	4.418H	9414713	2.555	9421086	10.187	9704188	10.466
7449209	1.063	9298656	4.103H	9414713	9.169	9421086	10.219	9832569	10.266
7449240	4.931	9298667	4.403H	9414713	9.213	9421089	9.280	9928309	11.392
7449396	1.652	9299066	4.356H	9414713	10.230	9421137	15.293	9928310	11.392
7449495	4.352A	9299534	4.376H	9414714	9.220	9421151	14.655	9928328	6.103
7449495	4.352B	9299535	4.376H	9414721	11.630	9421330	2.515	9928329	6.103
7449495	4.352F	9299535	4.412H	9414721	11.960	9421330	2.585	9928341	3.417
7449496	4.422A	9299536	4.376H	9414722	2.481	9421330	2.893	9928350	2.515
7449496	4.422B	9299536	4.412H	9414722	2.515	9421744	1.723	9928351	2.815
7449496	4.422F	9299537	4.376H	9414722	4.015H	9422037	3.130	9928384	9.278
7449498	4.003A	9299537	4.412H	9414722	7.796	9422176	3.001	9928384	9.779
7449561	4.133U	9299538	4.376H	9414723	3.001	9422212	5.875	9928398	3.430
7449562	4.133U	9299538	4.412H	9414723	9.779	9422275	7.242	9928399	3.430
7449585	2.170	9299540	4.382H	9414723	10.154	9422277	0.852	9928441	12.116
7449753	12.184	9299541	4.382H	9414723	10.262	9422277	4.650	9928442	12.116
7449910	2.555	9299543	4.423H	9414725	9.672	9422277	4.902	9928447	9.779
7731133	11.960	9299544	4.423H	9414734	12.942	9422280	6.103	9928448	9.779
7731353	10.515	9299545	4.423H	9414811	0.386	9422282	7.370	9928449	9.779
7731353	10.797	9299546	4.423H	9414920	9.169	9422286	6.164	9928450	10.260

TORANA "LX" PARTS CATALOGUE

PART No.	GROUP	PART No.	GROUP	PART No.	GROUP	PART No.	GROUP	PART No.	GROUP
9928459	9.680	9928759	4.658	9929173	10.506	9929624	10.470	9929954	9.662
9928460CY	9.680	9928762	14.798	9929174	4.680	9929628	4.226 U	9929987	9.195
9928460DV	9.680	9928763	4.038 U	9929187	6.361	9929629	4.228 U	9929995	4.040 U
9928460DW	9.680	9928767	2.277	9929204	9.779	9929638	4.007 U	9929999	9.220
9928460DX	9.680	9928768	2.317	9929205	9.779	9929659	0.027	9930002	1.064
9928460DY	9.680	9928769	2.277	9929207	9.779	9929664	14.798	9930004	2.317
9928467	10.027	9928792	12.934	9929208	9.779	9929664	15.040	9930022	14.890
9928468	10.027	9928793	12.934	9929231	11.010	9929668	14.798	9930033	6.758
9928469	10.027	9928794	7.831	9929232	1.266	9929668	15.040	9930035	4.226 U
9928472CY	9.743	9928795	4.230 U	9929233	1.266	9929669	15.040	9930044	3.601
9928472DY	9.743	9928800	1.203	9929238	3.430	9929672	12.181	9930049	3.704
9928477	10.260	9928803	1.219	9929239	3.459	9929673	12.181	9930050	3.704
9928481	6.361	9928804	1.219	9929245	4.685	9929674	9.779	9930061	4.009 U
9928482BA	15.390	9928812	2.897	9929246	4.685	9929675	9.220	9930070	4.128 U
9928482DV	15.390	9928840	6.518	9929252	8.079	9929676	4.233 U	9930071	11.588
9928482DX	15.390	9928843	2.555	9929253	9.220	9929677	4.226 U	9930080	11.373
9928482EC	15.390	9928844	4.006 A	9929266	3.710	9929678	4.226 U	9930087	4.342 U
9928487	10.027	9928845	4.006 U	9929279	4.226 U	9929681	4.265 U	9930090	11.010
9928506	6.008	9928846	4.007 B	9929281	3.430	9929681	4.279 U	9930108	4.018 U
9928508BA	15.286	9928855	2.041	9929282	4.054 U	9929685	4.265 U	9930116	4.685
9928508DX	15.286	9928866	15.292	9929292	1.266	9929686	4.265 U	9930120	15.293
9928508DY	15.286	9928883	3.158	9929299	4.685	9929702	9.779	9930137	1.270
9928508EK	15.286	9928892	9.779	9929300	4.685	9929703	9.779	9930148	10.710
9928509	12.116	9928893	9.779	9929501	1.066	9929706	10.146	9930164	4.009 U
9928569	4.681	9928894	9.779	9929513	4.020 B	9929709	4.265 U	9930179	3.701
9928570	4.337 F	9928895	3.003	9929514	4.019 B	9929731	9.220	9930181	3.705
9928571	4.658	9928905	4.659	9929521	1.266	9929733	9.220	9930187	14.798
9928578	2.586	9928914	4.018 U	9929522	1.266	9929734	9.779	9930189	3.265
9928582	2.589	9928918	3.430	9929523	4.685	9929736	9.779	9930190	3.265
9928583	2.590	9928919	4.639	9929524	4.685	9929738	0.886	9930191	3.265
9928585	12.982	9928928	12.182	9929525	1.265	9929772	4.625	9930192	3.265
9928586	12.982	9928929BA	14.651	9929526	1.265	9929773	4.625	9930193	3.265
9928587BA	15.286	9928929DV	14.651	9929528	4.904	9929774	3.430	9930194	3.265
9928587DX	15.286	9928929DX	14.651	9929531	4.636	9929777	9.190	9930195	3.265
9928587DY	15.286	9928929EC	14.651	9929532	1.266	9929778	9.220	9930196	3.265
9928587EK	15.286	9928935	6.518	9929533	1.266	9929783	2.515	9930197	3.265
9928589	4.680	9928947	4.041 U	9929545	5.441	9929784	3.028	9930203	3.710
9928592	9.779	9928954	6.508	9929546	5.441	9929833	4.006 U	9930211	9.600
9928598	9.779	9928956	4.662	9929548	4.050 B	9929834	9.220	9930216	3.609
9928602	9.779	9928960	4.681	9929549	4.046 B	9929835	9.220	9930234	11.420
9928614	11.207	9928962	1.762	9929563	8.075	9929836	9.220	9930241	12.243
9928623	9.779	9928963	1.762	9929564	8.075	9929839	12.009	9930270	3.609
9928631	4.680	9928983	4.665	9929565	14.802	9929850	4.041 U	9930271	4.003 U
9928643	2.555	9928984	4.665	9929587	4.040 U	9929851	9.220	9930272	4.003 U
9928643	2.895	9928994	6.508	9929595CY	9.743	9929852	9.278	9930292	12.981
9928643	13.090	9928995	6.508	9929595DY	9.743	9929852	9.779	9930295	4.003 B
9928644	2.555	9928997	15.293	9929598CY	9.743	9929854	3.265	9930297	4.317 B
9928656	4.081 A	9929041	0.027	9929598DX	9.743	9929874	2.341	9930308	2.424
9928656	4.081 B	9929042	0.027	9929598DY	9.743	9929875	2.342	9930313	14.802
9928656	4.081 F	9929051	4.007 A	9929605	14.798	9929907	4.686	9930350	9.280
9928656	4.081 U	9929053	4.007 U	9929606	14.798	9929928	9.169	9930351	9.278
9928658	3.459	9929065	6.758	9929617	10.470	9929930	9.169	9930353	4.128 U
9928659	3.430	9929130	5.803	9929618	10.470	9929936	9.276	9930427	0.830
9928668	4.081 U	9929134	2.333	9929619	10.470	9929940	9.276	9930430	0.787
9928682	12.182	9929137	10.701	9929619	10.473	9929941	9.169	9930459	9.280
9928684	3.265	9929138	8.132	9929620	10.470	9929942	9.169	9930461	6.524
9928699	1.745	9929139	5.441	9929620	10.473	9929946	9.279	9930472	0.027
9928720	8.143	9929146	4.016 U	9929621	10.473	9929947	9.278	9930480	4.342 F
9928722	3.260	9929148	4.040 U	9929622	10.473	9929948	9.169	9930480	4.342 U
9928736	9.169	9929162	0.137	9929623	10.470	9929951	4.055 U	9930482	4.342 B

TORANA "LX" PARTS CATALOGUE

PART No.	GROUP	PART No.	GROUP	PART No.	GROUP	PART No.	GROUP	PART No.	GROUP
9930491	9.662	9930955DT	14.655	9931253DX	15.520	9931777	4.205 U	9932135DX	14.764
9930514	4.650	9930955DV	14.655	9931253EC	15.520	9931778	4.205 U	9932135EC	14.764
9930515	4.650	9930955DX	14.655	9931266	9.171	9931779	4.205 U	9932136DT	14.691
9930519	4.653	9930955EC	14.655	9931267	9.171	9931787	2.555	9932136DV	14.691
9930522	9.280	9930956DT	14.655	9931273	9.220	9931794	3.402	9932136DX	14.691
9930525	4.826	9930956DV	14.655	9931276	4.006 H	9931795	3.402	9932136EC	14.691
9930535	2.275	9930956DX	14.655	9931301	9.220	9931801	3.609	9932137DT	14.691
9930537	2.275	9930956EC	14.655	9931323	12.112	9931802	3.609	9932137DV	14.691
9930539	4.625	9930957DT	14.655	9931388	3.158	9931804	9.620	9932137DX	14.691
9930540	4.625	9930957DV	14.655	9931390	1.266	9931815	4.128 U	9932137EC	14.691
9930544	3.603	9930957DX	14.655	9931400	2.820	9931816	4.128 U	9932138	11.950
9930552	9.215	9930957EC	14.655	9931422	4.662	9931817	4.128 U	9932150	9.665
9930560	9.779	9930958DT	14.655	9931423	4.659	9931818	4.128 U	9932153	5.395
9930562	3.726	9930958DV	14.655	9931424	4.658	9931819	4.128 U	9932167	8.821
9930577	1.516	9930958DX	14.655	9931455	15.280	9931820	3.120	9932168	3.001
9930585	3.725	9930958EC	14.655	9931456	15.280	9931822	3.120	9932169	3.001
9930586	3.725	9930959	15.002	9931458	15.280	9931892	4.128 U	9932173	12.045
9930587	3.725	9930972	15.002	9931459	12.182	9931893	4.128 U	9932185	1.762
9930588	3.725	9930973CY	12.810	9931460	12.182	9931896	4.128 U	9932192	6.524
9930599	3.201	9930973DV	12.810	9931462	14.802	9931902	4.670	9932222	4.594
9930601	3.201	9930973DX	12.810	9931463	3.725	9931903	4.670	9932266	0.386
9930602	4.337 B	9930973DY	12.810	9931464	3.725	9931924	9.276	9932279	4.685
9930610	4.625	9930974	3.430	9931488	4.901	9931938	2.727	9932280	4.685
9930612	12.114	9930984	4.003 A	9931489	4.625	9931940	9.220	9932281	3.107
9930616	4.015 F	9930997	2.555	9931490	4.625	9931943	9.220	9932290	6.008
9930621	3.003	9930998	2.555	9931512	1.762	9931944	11.420	9932291	6.008
9930631	9.171	9931011	2.555	9931514	3.403	9932009	2.515	9932304	4.045 F
9930680	3.430	9931015	11.925	9931555	4.901	9932050	9.620	9932305	4.045 F
9930686	3.003	9931019	4.685	9931556	1.266	9932051	9.620	9932306	4.035 F
9930704CLP	8.132	9931020	4.685	9931567	10.694	9932070	12.972	9932307	4.035 F
9930712	12.966	9931021	4.685	9931568	10.694	9932071	12.972	9932330	0.386
9930721	3.417	9931022	4.685	9931584	0.659	9932087	3.001	9932335	1.762
9930728	9.169	9931023	4.685	9931600	14.925	9932088	3.001	9932337	8.112
9930736	9.280	9931024	4.685	9931622	9.220	9932089	3.001	9932338	8.112
9930749	10.185	9931026	6.361	9931634	6.233	9932122	6.008	9932379	8.820
9930752	2.555	9931027	6.361	9931635	6.233	9932125	9.668	9932442	1.803
9930779	6.008	9931028	6.361	9931645	9.779	9932130CY	14.686	9932443	0.277
9930780	9.280	9931065	9.779	9931646	9.779	9932130DV	14.686	9932449	2.251
9930781	9.280	9931066	9.779	9931655	9.280	9932130DX	14.686	9932450	2.251
9930790	9.280	9931072	12.805	9931660	3.459	9932130EC	14.686	9932487	7.347
9930800	9.743	9931073	12.805	9931661	14.925	9932131CY	14.686	9932494	3.725
9930835	0.929	9931074	12.956	9931664	2.317	9932131DV	14.686	9932495	3.725
9930835	3.120	9931075	12.956	9931672	9.662	9932131DX	14.686	9932503	8.112
9930835	3.202	9931076	12.942	9931676	1.066	9932131EC	14.686	9932512	3.001
9930863	9.280	9931077	12.942	9931683	3.003	9932132DE	14.691	9932545	4.265 U
9930864	9.280	9931078	12.934	9931687	3.003	9932132DT	14.691	9932546	4.265 U
9930867	0.844	9931079	12.934	9931707	3.028	9932132DV	14.691	9932549	5.395
9930868	3.163	9931087	8.000	9931712	10.163	9932132DX	14.691	9932553	9.170
9930871	7.345	9931088	10.351	9931714	10.163	9932132EC	14.691	9932574	3.616
9930872	7.345	9931089	10.351	9931722BA	14.640	9932133DE	14.691	9932576	3.616
9930886	12.116	9931090	10.373	9931722DV	14.640	9932133DT	14.691	9932583	9.276
9930891	9.220	9931091	10.373	9931722DX	14.640	9932133DV	14.691	9932596	8.112
9930896	9.276	9931093	9.280	9931722EC	14.640	9932133DX	14.691	9932680	3.265
9930909	4.356 A	9931094	11.204	9931727	10.155	9932133EC	14.691	9932681	3.265
9930909	4.356 F	9931139	15.002	9931728	10.155	9932134DT	14.764	9932687	12.982
9930910	4.356 F	9931140	15.002	9931729	2.810	9932134DV	14.764	9932688	12.982
9930921	4.351 A	9931240	9.220	9931732	1.270	9932134DX	14.764	9932768	12.982
9930923	4.351 F	9931241	9.220	9931752	3.120	9932134EC	14.764	9932805	2.727
9930924	4.351 F	9931253BA	15.520	9931753	3.003	9932135DT	14.764	9932808	12.803
9930925	4.351 F	9931253DV	15.520	9931754	3.003	9932135DV	14.764	9932809	12.803

TORANA "LX" PARTS CATALOGUE

PART No.	GROUP	PART No.	GROUP	PART No.	GROUP	PART No.	GROUP	PART No.	GROUP
9932810	6.168	9933077	7.828	9933563	7.242	9934488	9.169	9934915	9.278
9932821	4.606	9933079	4.668	9933598	3.609	9934489	9.169	9934923	8.823
9932833	0.646	9933080	4.667	9933637	3.402	9934493	9.169	9934941	1.066
9932837	0.646	9933081	4.665	9933638	3.402	9934502	3.120	9935009	4.826
9932843	0.646	9933082	4.665	9933661	10.163	9934521	2.188	9935010	4.826
9932845	0.646	9933083	9.169	9933719	8.823	9934547	6.020	9935014	12.967
9932853	9.210	9933084	9.169	9933722	12.116	9934548	6.020	9935024	3.402
9932854	3.130	9933089	4.669	9933723	12.116	9934581	4.015 H	9935030	6.524
9932866	12.982	9933090	4.668	9933733	9.220	9934587	2.188	9935032	4.003 U
9932867	12.982	9933099	0.027	9933734	6.509	9934640	2.682	9935045	4.006 H
9932869	10.147	9933100	6.008	9933741	9.169	9934641	2.682	9935052	4.591
9932876	9.281	9933101	6.008	9933745	4.018 A	9934643	2.679	9935053	4.591
9932893	9.779	9933115	7.828	9933745	4.018 B	9934675	3.402	9935137	5.504
9932897	15.306	9933116	7.828	9933746	4.018 A	9934701	12.810	9935138	5.504
9932897BA	15.306	9933117	7.828	9933746	4.018 B	9934703	12.811	9935173	3.120
9932897DY	15.306	9933118	7.828	9933746	4.018 U	9934704	12.811	9935174	3.120
9932897EC	15.306	9933119	7.828	9933747	4.018 A	9934705	12.956	9935175	3.120
9932902	0.386	9933120	9.169	9933747	4.018 B	9934710	12.966	9935185	5.420
9932904	15.040	9933149	3.616	9933747	4.018 U	9934711	12.966	9935187	5.510
9932905BA	15.040	9933150	3.616	9933749	4.019 A	9934720	12.944	9935257	9.662
9932906BA	14.798	9933160	9.169	9933749	4.019 B	9934721	12.944	9935269	0.646
9932906BA	15.040	9933167	4.685	9933750	6.524	9934722	12.941	9935272	0.646
9932917	0.852	9933168	4.685	9933751	6.518	9934723	12.941	9935517	4.265 U
9932918	0.852	9933189	0.386	9933764	7.345	9934726	12.944	9935540	4.166 U
9932919	0.839	9933190	9.220	9933765	7.345	9934727	12.944	9935541	4.166 U
9932921	0.787	9933196	9.779	9933766	7.345	9934730	12.984	9935607	9.672
9932922	0.787	9933205	1.762	9933767	7.345	9934731	12.984	9935612	9.276
9932923	0.830	9933246	0.787	9933823	1.159	9934732	12.941	9935613	9.276
9932933	10.262	9933253	9.199	9933839	3.459	9934733	12.941	9935652	3.265
9932934	10.262	9933264	2.333	9933853	15.290	9934739	12.966	9935678	7.347
9932935	10.262	9933269	0.787	9933934	12.982	9934741	12.181	9935689	12.116
9932940	11.960	9933270	9.169	9933936	4.081 H	9934748	12.242	9935690	12.116
9932967	6.361	9933304	4.685	9933937	12.982	9934749	12.237	9935691	12.112
9932980	14.651	9933306	9.195	9933951	3.459	9934750	12.184	9935692	12.112
9932989	5.871	9933307	1.270	9933970	15.290	9934756	11.011	9935693	8.132
9933002	9.779	9933319	3.430	9934004	4.901	9934757	11.011	9935694	8.132
9933003	9.779	9933329	6.524	9934026	0.679	9934774	11.015	9935695	12.116
9933004	9.779	9933333	9.195	9934096	4.081 U	9934775	11.207	9935696	12.116
9933006	11.588	9933373	1.159	9934115	9.220	9934805	14.640	9935697	12.112
9933019	2.487	9933377	3.430	9934125	1.159	9934806	12.982	9935698	12.112
9933021	15.288	9933378	3.430	9934167	5.812	9934826	12.952	9935699	8.132
9933024CY	15.288	9933379	15.290	9934169	3.410	9934836	12.810	9935700	8.132
9933024DT	15.288	9933381	15.290	9934243	5.382	9934837	12.810	9935701	12.116
9933024DV	15.288	9933435	0.724	9934250	3.001	9934842	15.036	9935702	12.116
9933024DX	15.288	9933482	3.430	9934256	3.003	9934855	11.208	9935703	12.112
9933024EC	15.288	9933483	3.430	9934263	9.170	9934857	12.184	9935704	12.112
9933025	15.288	9933493	1.064	9934268	9.281	9934858	12.184	9935705	8.132
9933029	15.289	9933514	13.090	9934269	3.120	9934861BA	14.650	9935706	8.132
9933029CY	15.289	9933519	2.700	9934331	14.798	9934861DV	14.650	9935729	1.265
9933029DT	15.289	9933520	9.196	9934331	15.040	9934861DX	14.650	9935775	4.902
9933029DV	15.289	9933543BA	14.630	9934339	4.015 H	9934861EC	14.650	9935777	4.902
9933029DX	15.289	9933543DV	14.630	9934341	0.796	9934863	12.248	9935829	11.420
9933029EC	15.289	9933543DX	14.630	9934372	8.085	9934866	11.010	9935830	11.373
9933030	15.288	9933543EC	14.630	9934374	8.085	9934867	12.269	9935831	14.802
9933031	15.290	9933544	12.972	9934375	4.006 U	9934869	12.982	9935832	9.778
9933036	15.290	9933557	5.415	9934376	4.006 B	9934883	15.036	9935930	9.778
9933058	5.809	9933558	5.415	9934380	12.982	9934890	11.630	9935953	9.648
9933064	7.828	9933559	5.415	9934483	9.169	9934892	11.630	9935955	15.040
9933075	9.608	9933561	7.242	9934486	9.169	9934893	11.630	9935964CY	6.513
9933076	7.828	9933562	7.242	9934487	9.169	9934900	11.634	9935964DX	6.513

TORANA "LX" PARTS CATALOGUE

PART No.	GROUP	PART No.	GROUP	PART No.	GROUP	PART No.	GROUP	PART No.	GROUP
9935964DY6.513	9936154DX14.880	9936167DT14.880	9936181DT15.000	99364857.345
99359661.266	9936154EC14.880	9936167DV14.880	9936181DV15.000	99364964.829
99359712.555	9936155CY14.800	9936167DX14.880	9936181DX15.000	993651512.967
99359722.555	9936155DT14.800	9936167EC14.880	9936181EC15.000	99365842.697
993597910.261	9936155DV14.800	9936170CY15.000	9936182DT15.000	99366542.424
99359819.778	9936155DX14.800	9936170DT15.000	9936182DV15.000	99366644.342 H
9935992CY9.743	9936155EC14.800	9936170DV15.000	9936182DX15.000	99366742.239
9935992DX9.743	9936156CY14.880	9936170DX15.000	9936182EC15.000	99367189.648
9935992DY9.743	9936156DT14.880	9936170EC15.000	9936182EX15.000	99367704.015 F
9935993CY9.743	9936156DV14.880	9936171CY15.035	9936182EY15.000	99367913.120
9935993DX9.743	9936156DX14.880	9936171DT15.035	9936182EZ15.000	99368029.648
9935993DY9.743	9936156EC14.880	9936171DV15.035	9936182FA15.000	99368313.725
993599612.009	9936157DT14.800	9936171DX15.035	9936183DT15.000	99368323.725
993599712.009	9936157DV14.800	9936171EC15.035	9936183DV15.000	99368333.725
9936022BA15.309	9936157DX14.800	9936172DT15.000	9936183DX15.000	99368343.725
9936022DX15.309	9936157EC14.800	9936172DV15.000	9936183EC15.000	99368353.725
9936022DY15.309	9936157EX14.800	9936172DX15.000	9936183EX15.000	99368363.725
9936022EC15.309	9936157EY14.800	9936172EC15.000	9936183EY15.000	99368413.725
9936022EK15.309	9936157EZ14.800	9936173DT15.035	9936183EZ15.000	99368423.725
9936035DT15.035	9936157FA14.800	9936173DV15.035	9936183FA15.000	99368650.033
9936035DV15.035	9936158DT14.880	9936173DX15.035	9936184DT15.000	99368660.033
9936035DX15.035	9936158DV14.880	9936173EC15.035	9936184DV15.000	99368690.033
9936035EC15.035	9936158DX14.880	9936174DT15.000	9936184DX15.000	99368700.033
9936036DT15.035	9936158EC14.880	9936174DV15.000	9936184EC15.000	99368740.033
9936036DV15.035	9936158EX14.880	9936174DX15.000	9936185DT15.000	99368760.033
9936036DX15.035	9936158EY14.880	9936174EC15.000	9936185DV15.000	99368873.704
9936036EC15.035	9936158EZ14.880	9936174EX15.000	9936185DX15.000	99368903.704
9936036EX15.035	9936158FA14.880	9936174EY15.000	9936185EC15.000	99368913.704
9936036EY15.035	9936159DT14.800	9936174EZ15.000	9936186DT15.000	993690312.940
9936036EZ15.035	9936159DV14.800	9936174FA15.000	9936186DV15.000	993690412.940
9936036FA15.035	9936159DX14.800	9936175DT15.035	9936186DX15.000	99369079.169
9936037DT15.035	9936159EC14.800	9936175DV15.035	9936186EC15.000	99369089.169
9936037DV15.035	9936160DT14.880	9936175DX15.035	9936186EX15.000	993691012.955
9936037DX15.035	9936160DV14.880	9936175EC15.035	9936187DT15.000	99369173.001
9936037EC15.035	9936160DX14.880	9936175EX15.035	9936187DV15.000	993692112.010
9936038DT15.035	9936160EC14.880	9936175EY15.035	9936187DX15.000	993693212.811
9936038DV15.035	9936161DT14.800	9936175EZ15.035	9936187EC15.000	993693312.811
9936038DX15.035	9936161DV14.800	9936175FA15.035	9936187EX15.000	99369613.201
9936038EC15.035	9936161DX14.800	9936176DT15.000	99361934.153 U	99369794.156 U
9936038EX15.035	9936161EC14.800	9936176DV15.000	993619414.890	99369820.659
993605515.290	9936161EX14.800	9936176DX15.000	993619514.802	99370019.169
99360769.169	9936162DT14.880	9936176EC15.000	99362684.129 U	99370029.169
99360779.169	9936162DV14.880	9936177DT15.035	99362694.129 U	99370241.064
99360789.169	9936162DX14.880	9936177DV15.035	99362704.129 U	99370264.003 F
99360799.169	9936162EC14.880	9936177DX15.035	99362984.015 H	99370274.003 F
99360873.028	9936162EX14.880	9936177EC15.035	99363319.169	99370294.003 F
993609112.203	9936164CY14.800	9936178DT15.000	993633212.121	99371172.555
993609412.972	9936164DT14.800	9936178DV15.000	99363339.169	99371291.270
99361106.758	9936164DV14.800	9936178DX15.000	99363349.195	99371301.219
99361116.758	9936164DX14.800	9936178EC15.000	99363359.169	99371311.219
99361426.508	9936164EC14.800	9936178EX15.000	99363369.169	99371696.307
99361436.508	9936165CY14.880	9936179DT15.035	99363399.169	99372149.276
99361456.508	9936165DT14.880	9936179DV15.035	99363409.169	99372179.169
99361466.508	9936165DV14.880	9936179DX15.035	99363419.169	99372210.629
9936153DT14.800	9936165DX14.880	9936179EC15.035	993635212.952	99372230.629
9936153DV14.800	9936165EC14.880	9936179EX15.035	99363599.220	99372250.629
9936153DX14.800	9936166DT14.800	9936180DT15.000	99363654.337 B	99372270.629
9936153EC14.800	9936166DV14.800	9936180DV15.000	993642010.270	99372290.629
9936154DT14.880	9936166DX14.800	9936180DX15.000	99364234.685	99372310.629
9936154DV14.880	9936166EC14.800	9936180EC15.000	99364370.886	99372373.430

TORANA "LX" PARTS CATALOGUE

PART No.	GROUP	PART No.	GROUP	PART No.	GROUP	PART No.	GROUP	PART No.	GROUP
9937238	3.430	9937691	3.120	9938449	11.925	9938780DT	15.100	9938960DX	15.310
9937267	0.105	9937714	3.130	9938464	4.902	9938780DV	15.100	9938960DY	15.310
9937273	2.342	9937771	3.120	9938465	4.902	9938780DX	15.100	9938960EC	15.310
9937274	2.341	9937772	3.120	9938467	2.258	9938780EC	15.100	9938963BA	15.308
9937276	9.276	9937775	3.130	9938528	11.960	9938781DT	15.100	9938963DX	15.308
9937294	6.326	9937778	4.265 U	9938531	1.219	9938781DV	15.100	9938963DY	15.308
9937336	4.006 F	9937779	12.112	9938532	1.219	9938781DX	15.100	9938963EC	15.308
9937338	4.006 F	9937780	12.112	9938584	12.580	9938781EC	15.100	9938963EK	15.308
9937360	4.628	9937783	3.120	9938597BA	14.640	9938782DT	15.100	9938966	4.233 U
9937361	4.662	9937784	3.120	9938612	14.798	9938782DV	15.100	9938967	3.430
9937362	4.628	9937785	3.120	9938613	14.798	9938782DX	15.100	9938968DT	15.100
9937383	3.791	9937787	9.180	9938614	14.798	9938782EC	15.100	9938968DV	15.100
9937391	4.006 F	9937788	0.659	9938615	14.798	9938783	10.701	9938968DX	15.100
9937423	9.171	9937792	3.748	9938616	14.798	9938797	15.040	9938968EC	15.100
9937424	0.027	9937806	4.317 U	9938617	14.798	9938798	14.798	9938969DT	15.100
9937425	9.171	9937814	4.040 U	9938663CY	14.762	9938799	15.040	9938969DV	15.100
9937480	11.610	9937816	4.081 U	9938663DV	14.762	9938807DT	15.100	9938969DX	15.100
9937486	11.611	9937869	0.033	9938663DX	14.762	9938807DV	15.100	9938969EC	15.100
9937487	11.611	9937871	0.033	9938663EC	14.762	9938807DX	15.100	9938970BA	15.100
9937488	11.611	9937872	0.033	9938664CY	14.762	9938807EC	15.100	9938970DX	15.100
9937489	11.611	9937874	0.033	9938664DV	14.762	9938808DT	15.100	9938970DY	15.100
9937502	15.036	9937902	0.616	9938664DX	14.762	9938808DV	15.100	9938970EC	15.100
9937503	15.036	9937903	0.616	9938664EC	14.762	9938808DX	15.100	9938971BA	15.100
9937531	4.265 U	9937904	1.219	9938665	11.388	9938820	8.132	9938971DX	15.100
9937534	12.112	9937905	1.219	9938666	11.388	9938821	11.630	9938971DY	15.100
9937535	12.112	9937924	0.105	9938681	15.222	9938822	11.630	9938971EC	15.100
9937537	12.112	9937944	6.524	9938689	7.370	9938886	15.002	9938995	12.942
9937538	12.112	9937965	9.171	9938696	11.204	9938887	15.002	9938996	12.942
9937539	12.116	9937966	9.171	9938697	11.204	9938893	12.942	9939018	3.120
9937540	12.116	9937967	9.171	9938699	4.228 U	9938896DT	12.582	9939098	8.823
9937541	12.116	9937968	9.171	9938702	11.561	9938896DV	12.582	9939155	12.942
9937542	12.116	9938010	9.171	9938709	10.002	9938896DX	12.582	9939187	1.762
9937546	12.112	9938052	4.685	9938710	10.002	9938896EC	12.582	9939195	3.158
9937547	12.112	9938053	4.685	9938711	10.351	9938897DT	12.582	9939202	12.580
9937549	3.130	9938054	4.685	9938712	10.351	9938897DV	12.582	9939317	9.170
9937561	2.731	9938055	4.685	9938714	12.956	9938897DX	12.582	9939318	9.170
9937562	9.632	9938079	4.127 U	9938715	12.956	9938897EC	12.582	9939321	5.871
9937565	10.185	9938092	11.628	9938718	12.934	9938898	5.469	9939322	1.658
9937602	0.033	9938093	11.628	9938719	12.934	9938905DT	15.100	9939345	15.292
9937603	0.033	9938099	11.630	9938720	12.940	9938905DV	15.100	9939346CY	15.292
9937604	0.033	9938102	12.582	9938721	12.940	9938905DX	15.100	9939353	4.195 U
9937605	0.033	9938144	1.159	9938722	12.940	9938905EC	15.100	9939385	1.270
9937606	0.033	9938151	1.266	9938723	12.940	9938906DT	15.100	9939386	1.270
9937607	0.033	9938151	12.112	9938739	0.206	9938906DV	15.100	9939387	1.270
9937608	0.033	9938151	12.114	9938756	4.129 U	9938906DX	15.100	9939388	1.270
9937609	0.033	9938151	12.116	9938757CLR	9.684	9938906EC	15.100	9939393	7.347
9937610	0.033	9938154	4.902	9938757TNT	9.684	9938910BA	15.306	9939401	7.633
9937622	9.171	9938155	4.902	9938758CLR	9.684	9938910DX	15.306	9939497	9.644
9937623	2.424	9938156	4.902	9938758TNT	9.684	9938910DY	15.306	9939498	9.644
9937627	8.132	9938160	4.904	9938759CLR	9.684	9938910EC	15.306	9939533	12.112
9937627	12.116	9938167	9.170	9938759TNT	9.684	9938945	12.184	9939534	12.112
9937632	3.003	9938208	3.120	9938760CLR	9.684	9938946	12.184	9939535	12.112
9937636	3.120	9938279	2.239	9938760TNT	9.684	9938957DV	14.640	9939536	12.112
9937659	2.424	9938363	11.388	9938774	3.265	9938957DX	14.640	9939537	12.112
9937673	2.515	9938364	11.388	9938775	3.265	9938957EC	14.640	9939538	12.112
9937678	2.515	9938377	0.852	9938776	3.265	9938959BA	15.310	9939539	12.114
9937685	3.120	9938388	11.960	9938779DT	15.100	9938959DX	15.310	9939540	12.114
9937686	3.120	9938402	12.982	9938779DV	15.100	9938959DY	15.310	9939541	12.114
9937689	3.120	9938403	9.171	9938779DX	15.100	9938959EC	15.310	9939542	12.114
9937690	3.120	9938406CY	2.830	9938779EC	15.100	9938960BA	15.310	9939543	12.113

TORANA "LX" PARTS CATALOGUE

PART No.	GROUP	PART No.	GROUP	PART No.	GROUP	PART No.	GROUP	PART No.	GROUP
9939544	12.113	9940572	10.203	9940928	13.090	9941163EC	14.655	9941444	12.243
9939568BA	15.310	9940585	3.402	9940929	13.090	9941164DT	14.760	9941475	2.679
9939568DX	15.310	9940593	8.055	9940930	13.090	9941164DV	14.760	9941476	14.691
9939568DY	15.310	9940627CY	14.655	9940931	3.265	9941164DX	14.760	9941477	14.764
9939568EC	15.310	9940627DT	14.655	9940934	3.265	9941164EC	14.760	9941497	4.038 U
9939569BA	15.310	9940627DV	14.655	9940935	13.090	9941165DT	14.760	9941498	4.038 U
9939569DX	15.310	9940627DX	14.655	9940948	3.265	9941165DV	14.760	9941503CY	14.655
9939569DY	15.310	9940627EC	14.655	9940973	10.270	9941165DX	14.760	9941504CY	14.655
9939569EC	15.310	9940628CY	14.655	9940974	10.270	9941165EC	14.760	9941505CY	14.760
9939593	14.798	9940628DT	14.655	9940975	10.270	9941170	7.503	9941506CY	14.760
9939594	14.798	9940628DV	14.655	9941039DT	15.000	9941171	7.503	9941507	8.823
9939595	14.798	9940628DX	14.655	9941039DV	15.000	9941172	14.803	9941508	8.823
9939596	14.798	9940628EC	14.655	9941039DX	15.000	9941176	1.762	9941509	8.823
9939600	15.040	9940629CY	14.760	9941039EC	15.000	9941195	2.810	9941544CY	14.691
9939601	15.040	9940629DT	14.760	9941057	4.265 U	9941224	10.556	9941545CY	14.691
9939641	15.290	9940629DV	14.760	9941058	4.265 U	9941270	2.515	9941546CY	14.764
9939642	15.292	9940629DX	14.760	9941059	4.265 U	9941271	2.515	9941547CY	14.764
9939643CY	15.292	9940629EC	14.760	9941068BA	15.306	9941272	2.515	9941577CY	15.289
9939643DX	15.292	9940630CY	14.760	9941068DX	15.306	9941273	2.515	9941578CY	10.203
9939643EK	15.292	9940630DT	14.760	9941068DY	15.306	9941286	8.126	9941579CY	10.203
9939645	3.705	9940630DV	14.760	9941069	15.290	9941299	2.515	9941581CY	14.803
9939646	11.634	9940630DX	14.760	9941071BA	15.306	9941326	12.952	9941582CY	15.288
9939650	3.710	9940630EC	14.760	9941071DX	15.306	9941338	2.895	9941584CY	14.630
9939651	3.265	9940651	12.112	9941071DY	15.306	9941339	2.895	9941585CY	14.630
9939652	3.265	9940653	12.112	9941071EC	15.306	9941340	2.679	9941586CY	14.630
9939653	3.265	9940723	2.555	9941075	6.524	9941341	15.292	9941592BA	4.038 U
9939703	3.001	9940724	2.555	9941099	10.230	9941343	15.293	9941592DX	4.038 U
9939717	9.169	9940736	4.009 U	9941100	10.230	9941345	15.293	9941592DY	4.038 U
9939728	3.265	9940737	11.634	9941101	10.230	9941382CY	9.743	9941593BA	4.038 U
9939730	3.705	9940738	11.634	9941102	10.230	9941382DX	9.743	9941593DX	4.038 U
9939750	0.886	9940752	12.116	9941104CY	9.743	9941382DY	9.743	9941593DY	4.038 U
9939801	1.803	9940753	12.116	9941104DY	9.743	9941383CY	9.743	9941594	4.038 U
9939823	1.653	9940754	12.112	9941107	10.230	9941383DX	9.743	9941633	4.006 U
9939935	4.019 U	9940756	12.114	9941108BA	15.286	9941383DY	9.743	9941634	2.515
9939936	4.006 U	9940757	12.114	9941108DX	15.286	9941384CY	9.743	9941636	4.055 U
9939937	4.006 U	9940791	15.293	9941108DY	15.286	9941384DX	9.743	9941654	9.778
9939938	4.019 U	9940799	4.153 U	9941156CY	14.640	9941384DY	9.743	9941672CY	15.286
9939939	4.019 U	9940800	9.779	9941157	15.291	9941385CY	9.743	9941673CY	15.286
9939941	4.019 U	9940801	9.779	9941158DT	14.655	9941385DX	9.743	9941674CY	15.306
9940298	12.811	9940802	9.278	9941158DV	14.655	9941385DY	9.743	9941689	9.169
9940299	12.811	9940804	9.278	9941158DX	14.655	9941391	2.679	9941696	2.555
9940300	12.811	9940817BA	15.286	9941158EC	14.655	9941395	12.009	9941697BA	15.286
9940301	12.811	9940817DX	15.286	9941159DT	14.655	9941397	10.261	9941697DY	15.286
9940304	8.132	9940817DY	15.286	9941159DV	14.655	9941401CY	2.830	9941698BA	15.286
9940305	12.116	9940818BA	15.286	9941159DX	14.655	9941401DX	2.830	9941698DX	15.286
9940306	12.116	9940818DX	15.286	9941159EC	14.655	9941401DY	2.830	9941698DY	15.286
9940307	12.116	9940818DY	15.286	9941160DT	14.760	9941403	2.515	9941701BA	15.286
9940308	12.116	9940818EC	15.286	9941160DV	14.760	9941404	2.515	9941701DX	15.286
9940359	7.831	9940819	9.648	9941160DX	14.760	9941416	4.038 U	9941701DY	15.286
9940360	7.831	9940820	9.648	9941160EC	14.760	9941417	4.038 U	9941702BA	15.286
9940382	5.871	9940824	8.132	9941161DT	14.760	9941418	4.038 U	9941702DX	15.286
9940392	15.290	9940825	15.280	9941161DV	14.760	9941423	12.243	9941702DY	15.286
9940418	4.265 U	9940826	15.280	9941161DX	14.760	9941424	12.243	9941703BA	15.306
9940476	10.146	9940829	15.280	9941161EC	14.760	9941425	12.243	9941703DX	15.306
9940479	1.265	9940830	15.280	9941162DT	14.655	9941430CY	14.880	9941703DY	15.306
9940507	1.270	9940843	10.002	9941162DV	14.655	9941431CY	14.800	9941717CY	15.306
9940509	1.265	9940844	10.002	9941162EC	14.655	9941432CY	15.035	9941725CY	15.024
9940548	3.403	9940862	8.126	9941163DT	14.655	9941433CY	15.000	9941726	15.222
9940552	4.226 U	9940922	13.090	9941163DV	14.655	9941442	4.279 U	9941768	15.294
9940554	3.410	9940927	13.090	9941163DX	14.655	9941443	4.294 U	9941838	12.804

TORANA "LX" PARTS CATALOGUE

PART No.	GROUP	PART No.	GROUP	PART No.	GROUP	PART No.	GROUP	PART No.	GROUP
9941840	12.803	9942069CLR	9.684	9942285	8.130	11071271	4.307H		
9941844	0.861	9942069TNT	9.684	9942298	9.648	11071271	4.309H		
9941847	4.003A	9942070CLR	9.684	9942444	12.243	11073921	4.081H		
9941912CY	9.743	9942070TNT	9.684	9942457	5.858	11076681	6.020		
9941912DY	9.743	9942094	15.306	9942545	2.239	11078481	0.659		
9941933	9.685	9942095	15.306	9942617	4.133U	11078501	9.171		
9941962	1.265	9942103	2.555	9942627	15.290	11079741	4.662		
9941962	1.266	9942104	2.520	9942632	6.508	11079751	6.020		
9941977	15.290	9942105	2.520	9942633	6.508	11079773	4.628		
9941978	15.292	9942111	2.515	9942699	1.653	11079773	6.233		
9941979	15.293	9942113	2.515	9942751	12.938	17050639	3.727		
9941984	9.648	9942114	2.515	9942752	12.938	17050640	3.727		
9942044	2.481	9942115	8.820	9942774CY	9.743	17050641	3.725		
9942045	2.555	9942143	4.038U	9942774DY	9.743	17050642	3.725		
9942046	2.515	9942144	2.515	9942784	15.290	17051599	3.763		
9942063	9.169	9942164	2.515	9942801	12.811	17052789	3.748		
9942067CLR	9.684	9942165	2.515	9942802	12.811	17052795	3.725		
9942067TNT	9.684	9942172	4.294U	9942966	10.185	17052796	3.725		
9942068CLR	9.684	9942218	2.706	9942969	2.727				
9942068TNT	9.684	9942284	8.130	9942983	8.823				

PRINTED BY ALEXANDER BROS. PTY. LTD., MENTONE, VICTORIA